

← Bldg. 20' →

↑
Bldg.
21'6"
↓

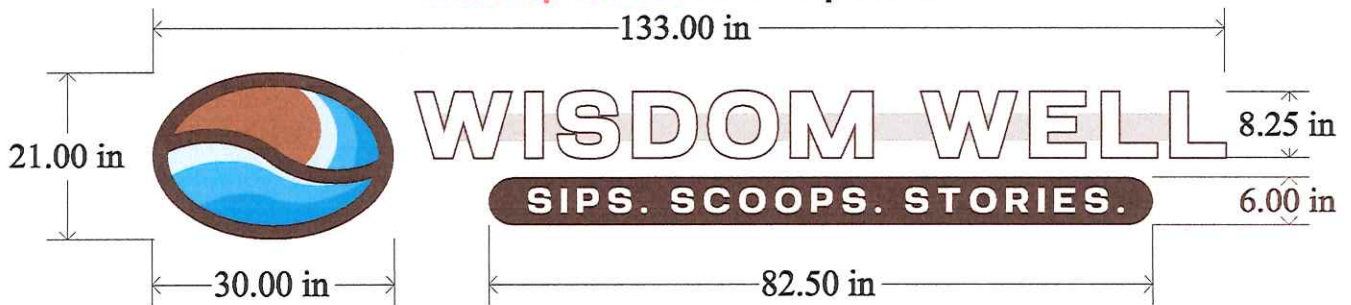


 **FACES:** White Acrylic w/ Vinyl Copy

 **TRIM / RETURNS:** Bronze

 **RACEWAY:** Match Wall (SW N4519)

19.5 SqFt USED of 20 SqFt MAX

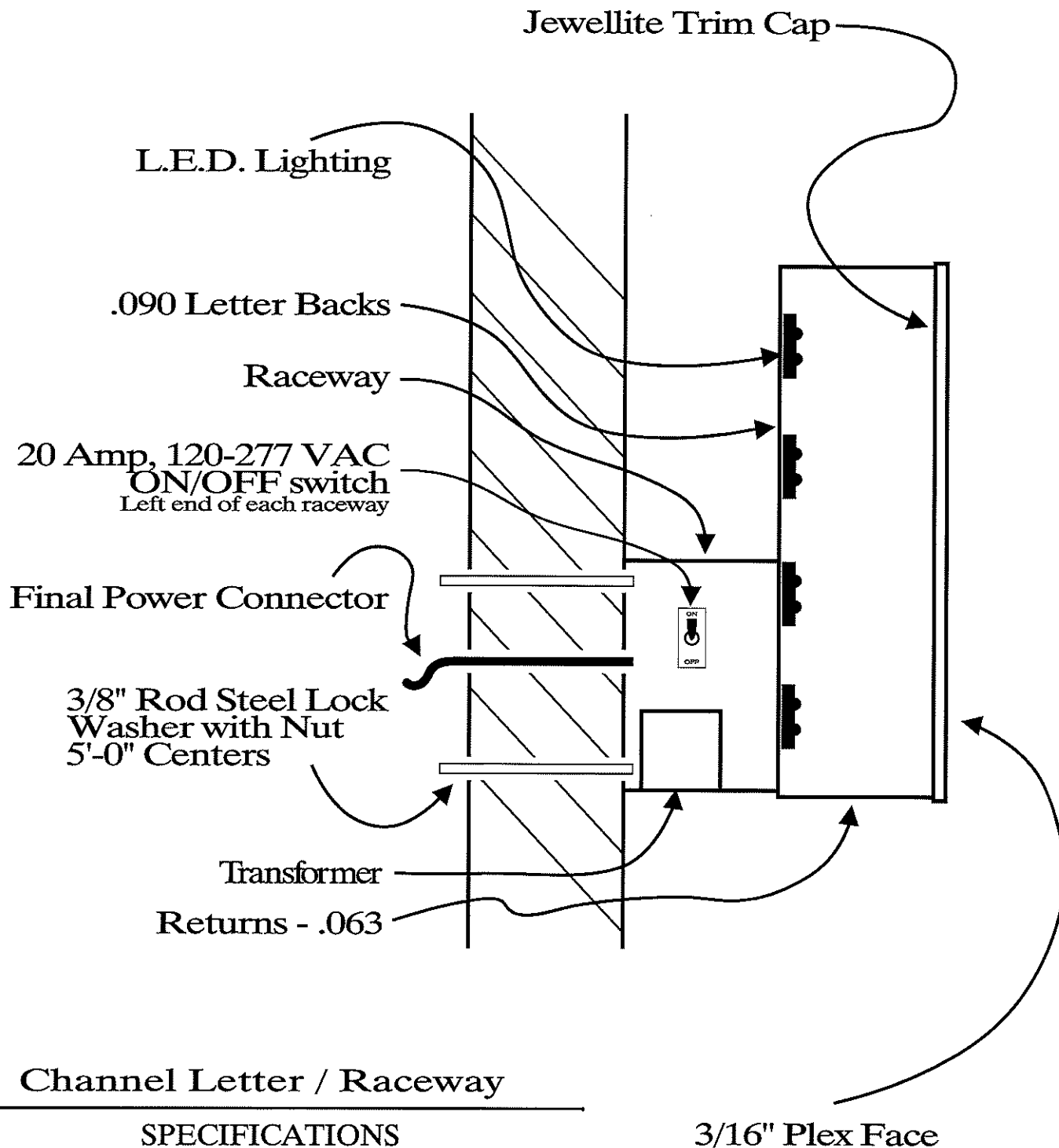


WISDOM WELL - 1566 NC-24 #87, Cameron
Channel Letters on Raceway w/ Bullet & Logo Cloud

2785 US Hwy 301 N, Dunn, NC 28334
Ph: 910-892-5900 Fax: 910-892-2140 www.SignandAwning.com

NOTE: THESE DESIGNS ARE PROPERTY OF SIGN & AWNING SYSTEMS AND CAN NOT BE REPRODUCED WITHOUT PERMISSION. All artwork must be approved by the customer before we move forward with the order. It is the customer's responsibility to ensure that the proof is correct in all areas. Please be sure to double-check Spelling, Grammar, Layout, and Design Content. If the proof containing errors is approved, the customer is liable for all costs, including corrections and reprints. Proofs may not represent exact colors. All colors displayed may look different in person than on your computer screen due to the individual monitor or screen color settings.

Customer / Landlord Approval: *Joshua B. Creson* **Date:** 11/1/2024



Letters, returns & cabinets manufactured to requirements and standards of the UNDERWRITERS LABORATORIES, INC.

SIGN & AWNING SYSTEMS, INC.

2785 US Hwy 301 N - Dunn NC 28334
PH 910.892.5900 FX 910.892.2140