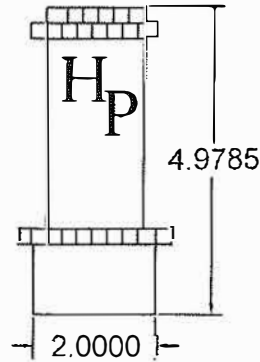


HARRINGTON PLACE
SMITH DOUGLAS HOMES
DIMENSIONS

HARDSCAPE
9/13/2023

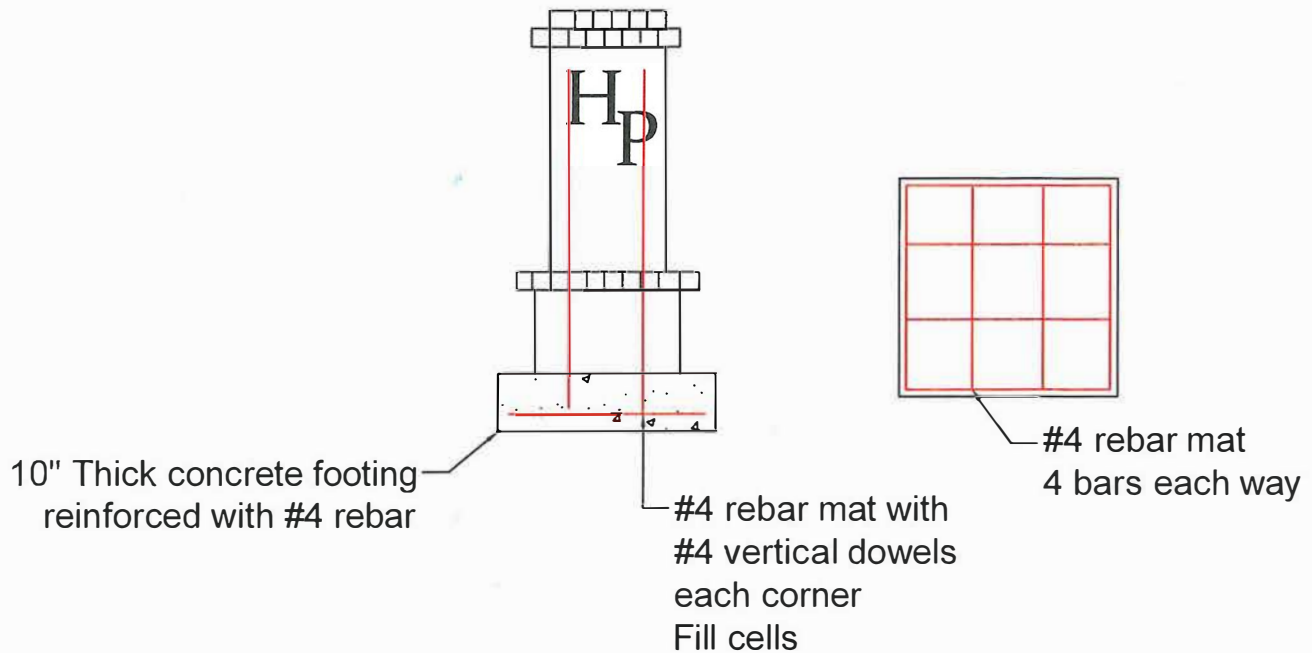
POST NURSERY

"LANDSCAPE DESIGN AND INSTALLATION"
8140 MITCHELL MILL RD., ZEBULON, NC 27597
(919) 554-4002 WWW.POSTNURSERY.COM
POSTCLAYTONI994@GMAIL.COM



SECONDARY ENTRY FEATURE

HARRINGTON PLACE
SMITH DOUGLAS HOMES
FOOTING DETAILS - SECONDARY



HARDSCAPE
9/13/2023

POST NURSERY

"LANDSCAPE DESIGN AND INSTALLATION"
8140 MITCHELL MILL RD., ZEBULON, NC 27597
(919) 554-4002 WWW.POSTNURSERY.COM
POSTCLAYTONI994@GMAIL.COM