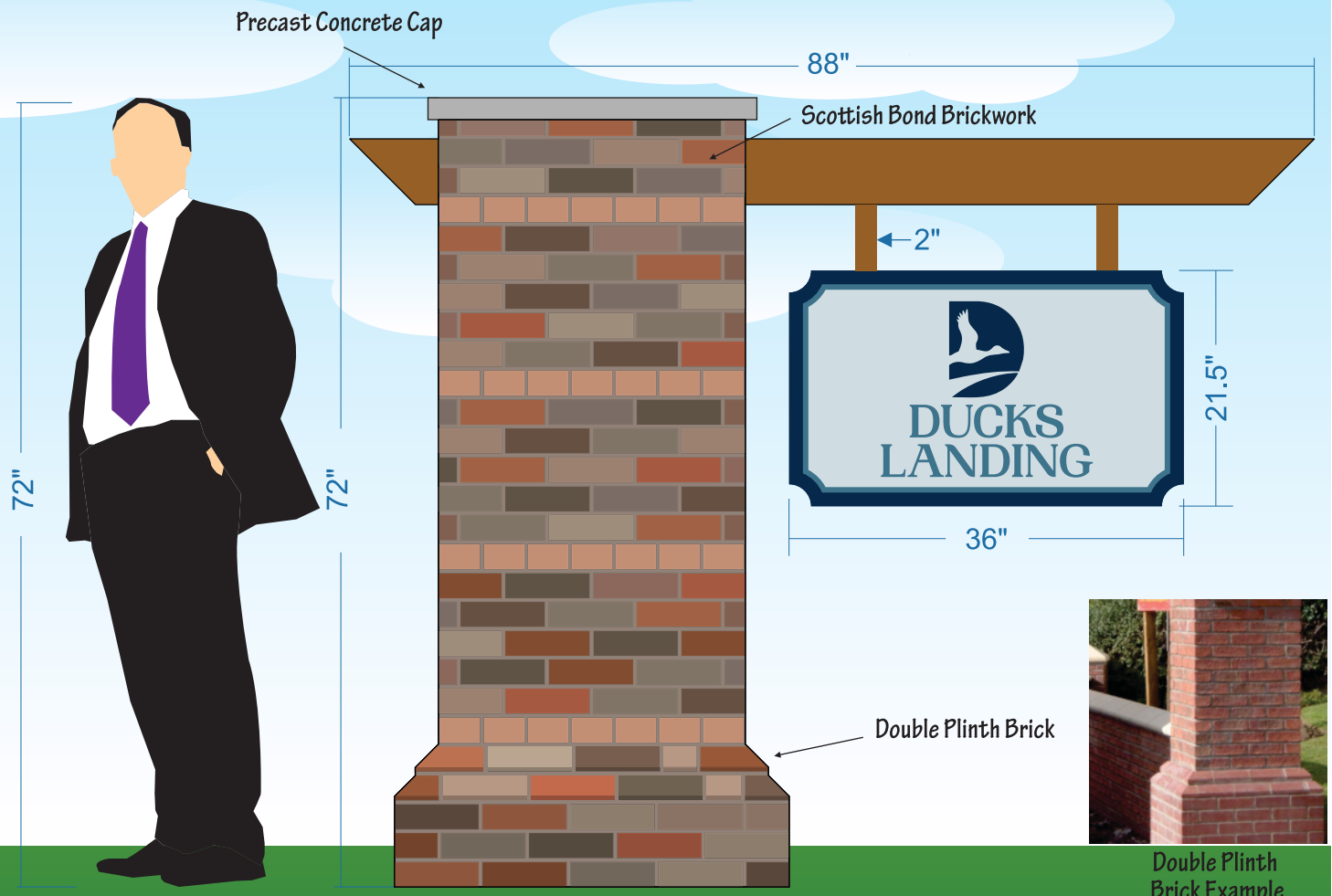


- Pantone 2767 C
- Pantone 7698 C
- 25% Pantone 7698 C

**Qty: 1 (Double Sided)**  
 Face: 21.5" x 36"  
 Structure: 72" x 88" (44sq ft)  
 1.5" Thick, Routed and Dimensional  
 HDU Face w/Grain Route  
 Mounted to 6"x6" Aluminum Brace  
 and 2"x2" Hanger System  
 Column Installed w/ Galvanized Through  
 Bolts and Hardware



HDU Sign Face w/ Grain Example



Double Plinth Brick Example

Font Used: PP Woodland Bold



**BLASHFIELD  
SIGN COMPANY, INC**

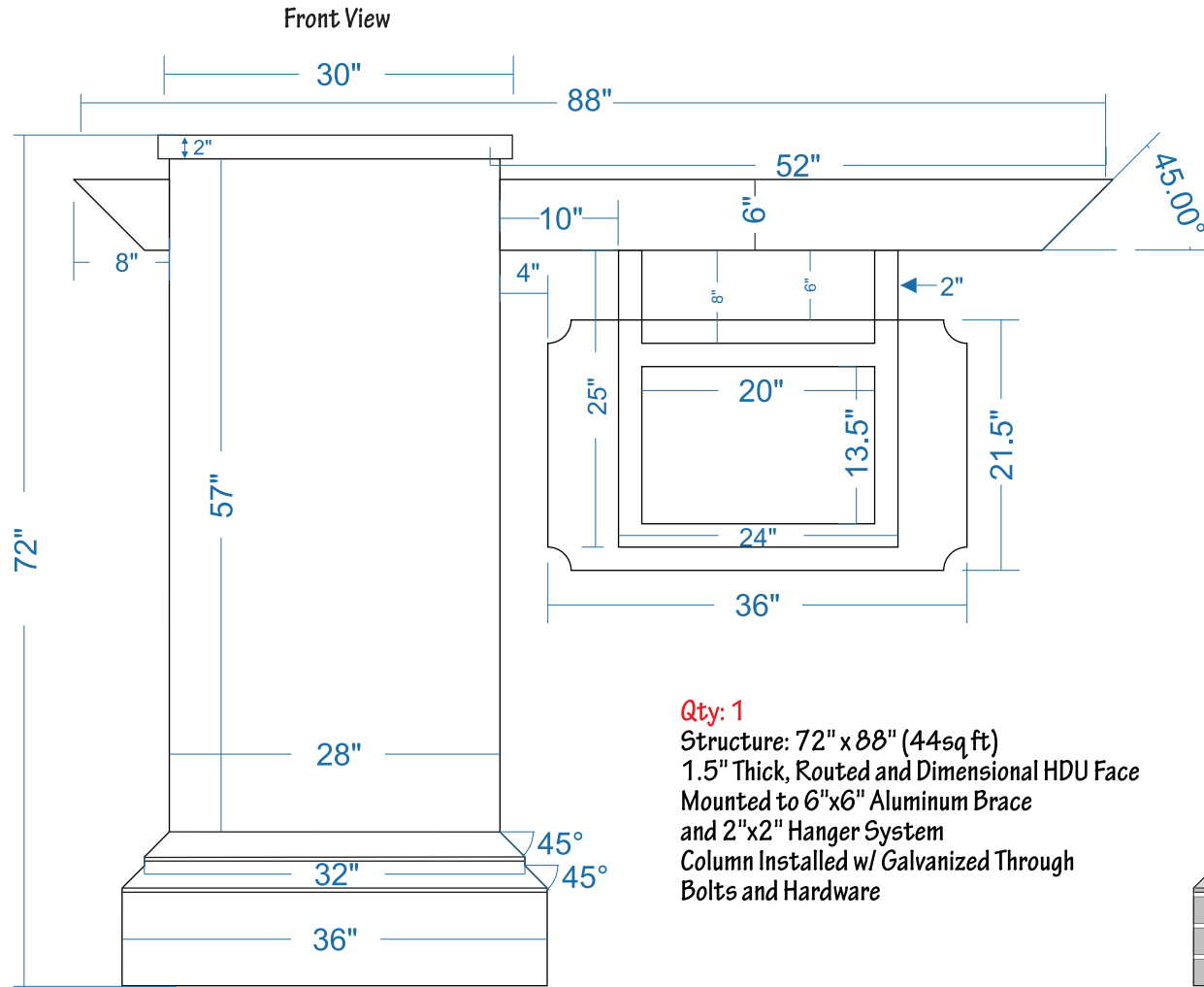
303 Williams St., Fayetteville, NC 28301  
 ph 910.485.7200  
 www.bcsignage.com

- Customer Advise:**
- Pick Up
  - Installation Required
  - Shipping Required

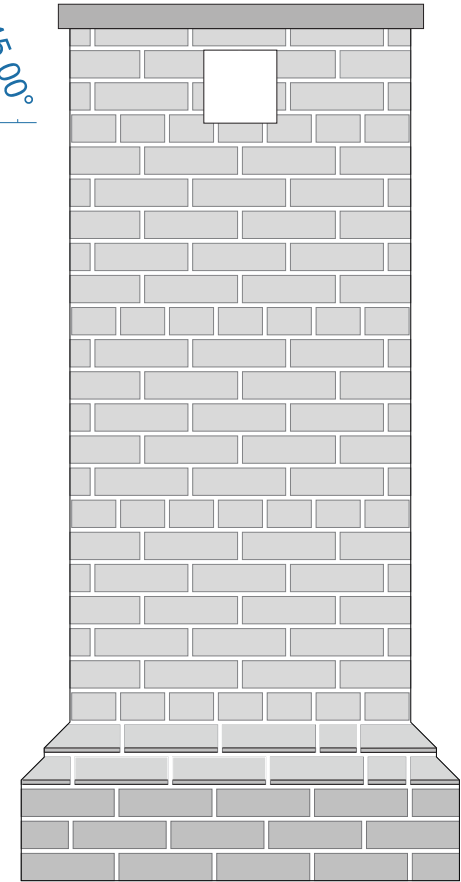
If the proof is approved, it **MUST** be signed, scanned and emailed back to us before we can begin production. This is policy with any job. If this cannot be done, please call our office to discuss an alternate method to get us the signed proof.  
**WE WILL NOT BEGIN ANY JOB WITHOUT PROPER APPROVAL.**

3/4" Scale	<input type="checkbox"/> Approved for Production with Changes, as noted	<input type="checkbox"/> Approved for Production, No Changes	<input type="checkbox"/> Rejected, Correct and Resubmit for Approval
Approval Signature: <i>Beth Phillips</i>	Start Date: 5/21/24	Date Last Revised: 5/23/24	Approval Date: 5/23/24
File Name: Caviness & Cates - Beth Phillips - Ducks Landing Main ID - 5 - 24	Job Number: 24155	Designer: <i>Gw</i>	

This design is the property of Blashfield Sign Company, Inc. and remains our property until sign is purchased. Design may be purchased for a minimum sum of Two Hundred Fifty dollars (\$250.00) and a maximum of Ten Thousand dollars (\$10,000.00) depending on hours involved and is protected by U.S. copyright law. Any attempt to reproduce this design or use by others for any purpose, without written consent is subject to prosecution to the fullest extent allowed by law.



Left Side



Qty: 1  
 Structure: 72" x 88" (44sq ft)  
 1.5" Thick, Routed and Dimensional HDU Face  
 Mounted to 6"x6" Aluminum Brace  
 and 2"x2" Hanger System  
 Column Installed w/ Galvanized Through  
 Bolts and Hardware



**BLASHFIELD  
SIGN COMPANY, INC**

303 Williams St., Fayetteville, NC 28301  
 ph 910.485.7200  
 www.bcsignage.com

**Customer Advise:**

- Pick Up
- Installation Required
- Shipping Required

If the proof is approved, it **MUST** be signed, scanned and emailed back to us before we can begin production. This is policy with any job. If this cannot be done, please call our office to discuss an alternate method to get us the signed proof.  
**WE WILL NOT BEGIN ANY JOB WITHOUT PROPER APPROVAL.**

3/4" Scale

Approved for Production with Changes, as noted

Approved for Production, No Changes

Rejected, Correct and Resubmit for Approval

Approval Signature:

Start Date: 5/21/24

Date Last Revised: 5/23/24

Approval Date:

File Name: Caviness & Cates - Beth Phillips - Ducks Landing Main ID - 5 - 24

Job Number: 24155

Designer: *GW*