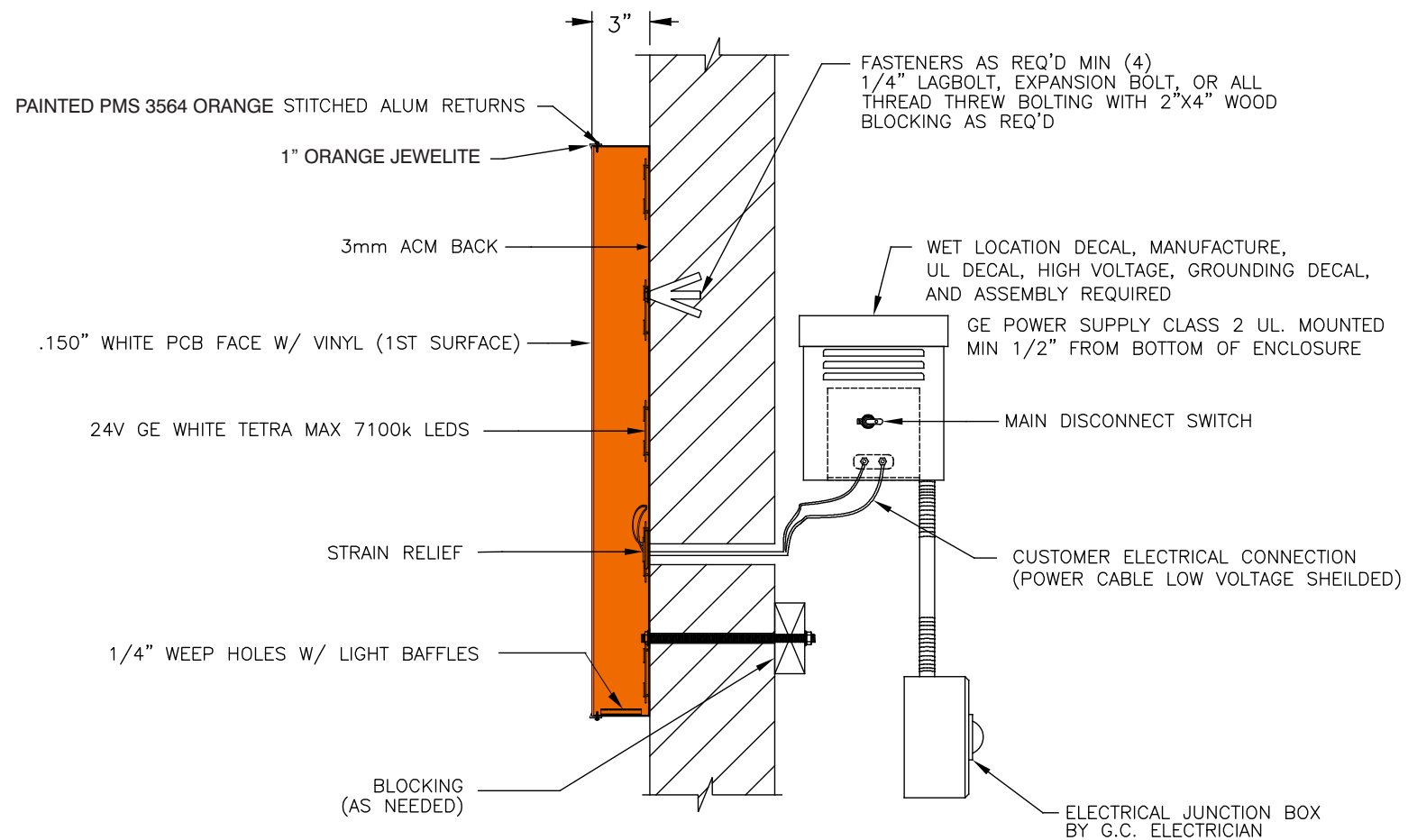




POPEYES[®]



RMT LED LETTER CROSS SECTION
SCALE: NTS (REFERENCE ONLY)
EQUIPMENT GROUNDED

SPECIFICATIONS: LETTERS

FACES: .150" #7328 WHITE PCB FACES w/3630-84 ORANGE VINYL /FIRST SURFACE

RETURNS: 3" ALUMINUM PAINTED PMS 3564 ORANGE

BACKS: 3MM ACM BACKS

TRIP CAP: 1" ORANGE PREPAINTED JEWELITE

ILLUMINATION: GE TETRAMAX 24v 7100K WHITE LEDs

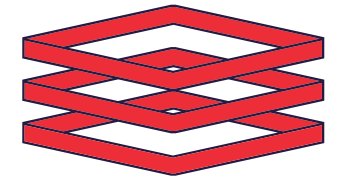
CUSTOMER APPROVED

DATE: _____

CUSTOMER SIGNATURE: _____

THIS DESIGN HAS BEEN REVIEWED TO CORPORATE REQUIREMENTS AND APPROVED.

DESIGN OWNERSHIP OF POPEYE'S MANAGEMENT



ENTERA

Your total branding solution

5900 VENTURE CROSSINGS BLVD

PANAMA CITY, FL 32409

PH: 850-763-7982

FAX: 850-392-0673

www.enterabrading.com

THIS DOCUMENT CONTAINS PROPRIETARY AND CONFIDENTIAL INFORMATION OF ENTERA, LLC. AND SHALL NOT BE USED, DISCLOSED OR REPRODUCED, IN WHOLE OR IN PART, FOR ANY PURPOSE OTHER THAN TO EVALUATE THIS DOCUMENT, WITHOUT THE PRIOR WRITTEN CONSENT OF ENTERA, LLC. TITLE IN AND TO THIS DOCUMENT AND ALL INFORMATION CONTAINED HEREIN REMAINS AT ALL TIMES PROPERTY OF ENTERA, LLC.

COLOR NOTES

3M #3630-84 TANGERINE (BACKGROUND)

PMS 3564 ORANGE

REVISION

1.	03.14.24 MW
2.	03.18.24 DT
3.	05.07.24 DT
4.	XXXXX

ARTIST

DT

CLIENT

POPEYES RETRO

SCALE

1/2" = 1'-0"

DATE

03.08.24

LOCATION

1517 NC 24-87
Cameron, NC 28326

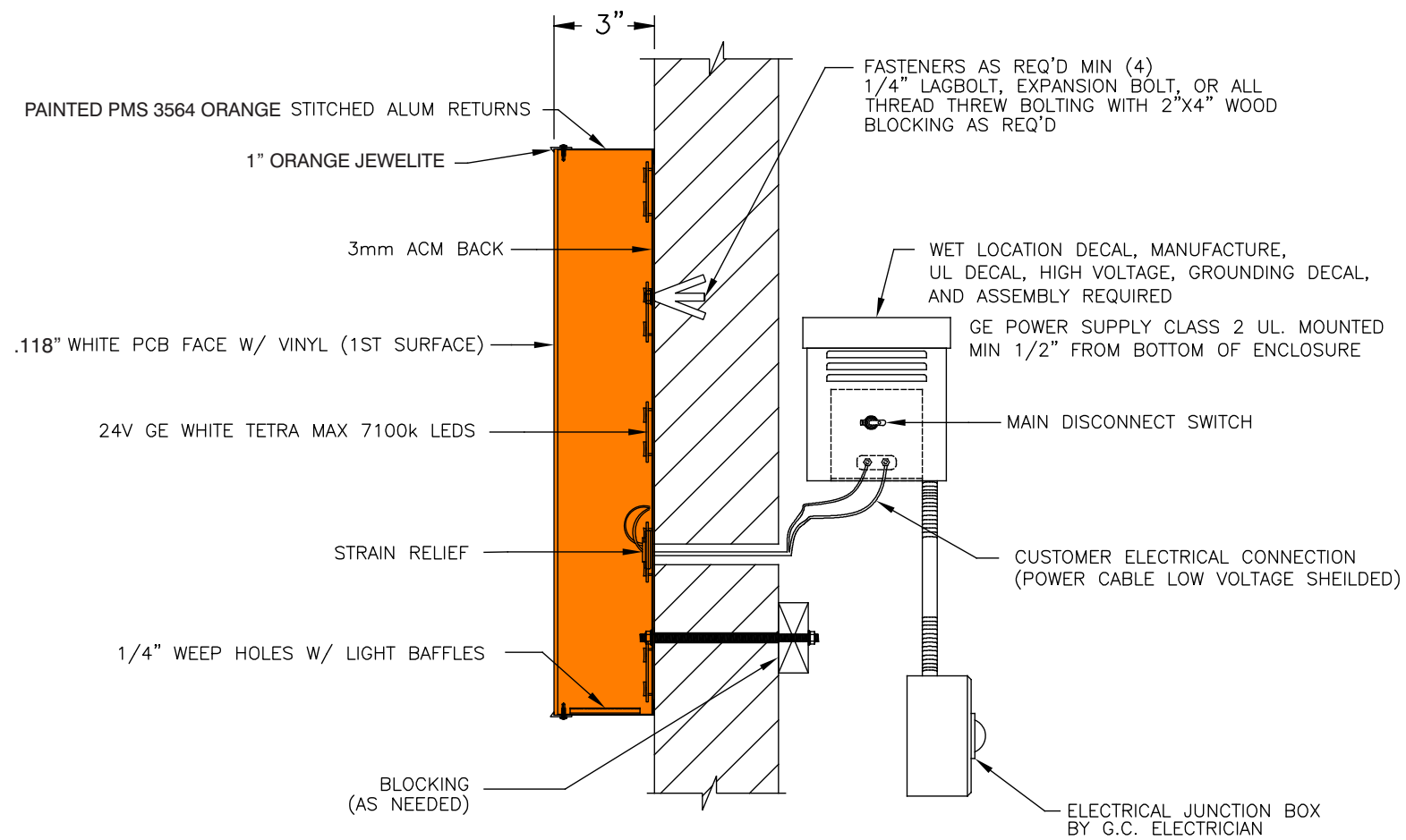
H: MARKETING DESIGN / CDR / P / POPEYES RETRO / CAMERON, NC.cdr



DEPARTMENT ART



18" INTERNALLY ILLUMINATED REMOTE MOUNT CHANNEL LETTERS • 14.30 SQ FT



POWER REQUIREMENT
120-277 VAC / 50/60 HZ
1.1 AMPS

RMT LED LETTER CROSS SECTION
SCALE: NTS (REFERENCE ONLY)
EQUIPMENT GROUNDED

SPECIFICATIONS: LETTERS

FACES: .118" #7328 WHITE PCB FACES w/3630-84 ORANGE VINYL /FIRST SURFACE

RETURNS: 3" ALUMINUM PAINTED PMS 3564 ORANGE

BACKS: 3MM ACM BACKS

TRIP CAP: 1" ORANGE PREPAINTED JEWELITE

ILLUMINATION: GE TETRAMAX 24v 7100K WHITE LEDs

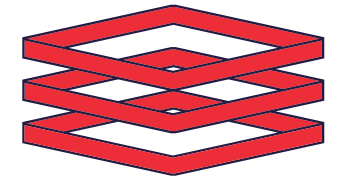
CUSTOMER APPROVED

DATE: _____

CUSTOMER SIGNATURE: _____

THIS DESIGN HAS BEEN REVIEWED TO CORPORATE REQUIREMENTS AND APPROVED.

DESIGN OWNERSHIP OF POPEYE'S MANAGEMENT



ENTERA

Your total branding solution

5900 VENTURE CROSSINGS BLVD

PANAMA CITY, FL 32409

PH: 850-763-7982

FAX: 850-392-0673

www.enterabrading.com

THIS DOCUMENT CONTAINS PROPRIETARY AND CONFIDENTIAL INFORMATION OF ENTERA, LLC. AND SHALL NOT BE USED, DISCLOSED OR REPRODUCED, IN WHOLE OR IN PART, FOR ANY PURPOSE OTHER THAN TO EVALUATE THIS DOCUMENT, WITHOUT THE PRIOR WRITTEN CONSENT OF ENTERA, LLC. TITLE IN AND TO THIS DOCUMENT AND ALL INFORMATION CONTAINED HEREIN REMAINS AT ALL TIMES PROPERTY OF ENTERA, LLC.

COLOR NOTES

3M #3630-84 TANGERINE (BACKGROUND)

PMS 3564 ORANGE

REVISION

1.	03.14.24 MW
2.	03.18.24 DT
3.	05.07.24 DT
4.	XXXXX

ARTIST

DT

CLIENT

POPEYES RETRO

SCALE

3/4" = 1'-0"

DATE

03.08.24

LOCATION

1517 NC 24-87
Cameron, NC 28326

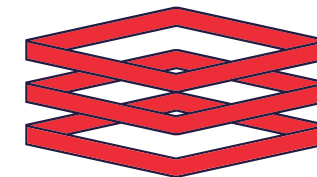
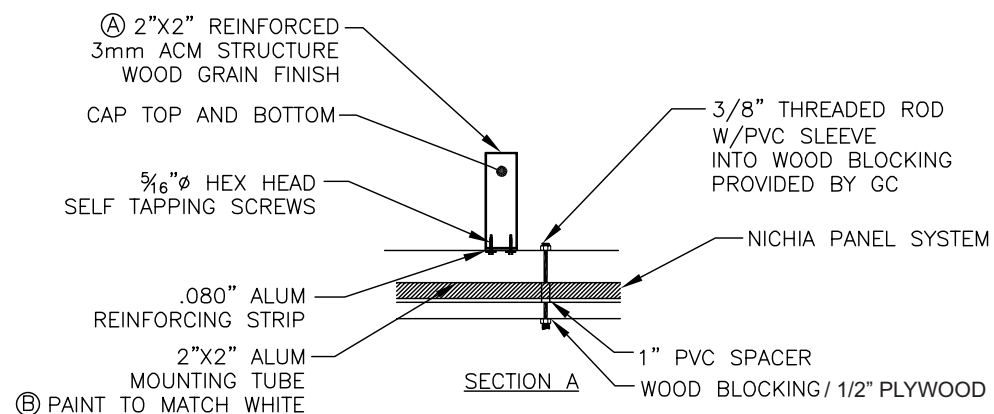
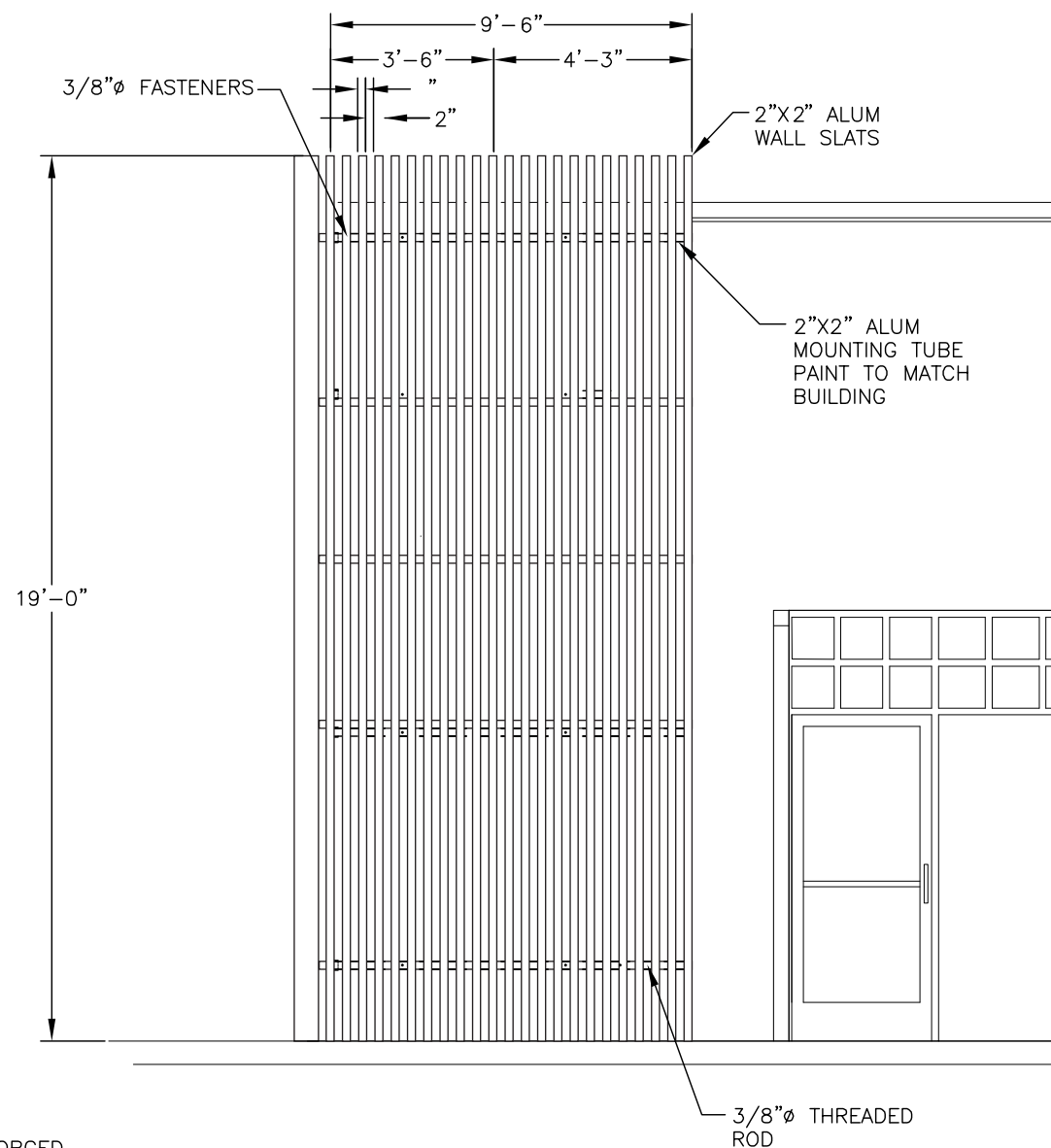
H: MARKETING DESIGN / CDR / P / POPEYES RETRO / CAMERON, NC.cdr



DEPARTMENT
ART



WALL SLAT



ENTERA

Your total branding solution

5900 VENTURE CROSSINGS BLVD

PANAMA CITY, FL 32409

PH: 850-763-7982

FAX: 850-392-0673

www.enterabrading.com

THIS DOCUMENT CONTAINS PROPRIETARY AND CONFIDENTIAL INFORMATION OF ENTERA, LLC. AND SHALL NOT BE USED, DISCLOSED OR REPRODUCED, IN WHOLE OR IN PART, FOR ANY PURPOSE OTHER THAN TO EVALUATE THIS DOCUMENT, WITHOUT THE PRIOR WRITTEN CONSENT OF ENTERA, LLC. TITLE IN AND TO THIS DOCUMENT AND ALL INFORMATION CONTAINED HEREIN REMAINS AT ALL TIMES PROPERTY OF ENTERA, LLC.

COLOR NOTES

PAINT TO MATCH PMS BM
OC125 MOONLIGHT WHITE
3M DIGITALLY PRINTED WOOD
GRAIN VINYL

REVISION

1.	03.14.24 MW
2.	03.18.24 DT
3.	05.07.24 DT
4.	XXXXX

ARTIST

DT

CLIENT

POPEYES RETRO

SCALE

1/4" = 1'-0"

DATE

03.08.24

LOCATION

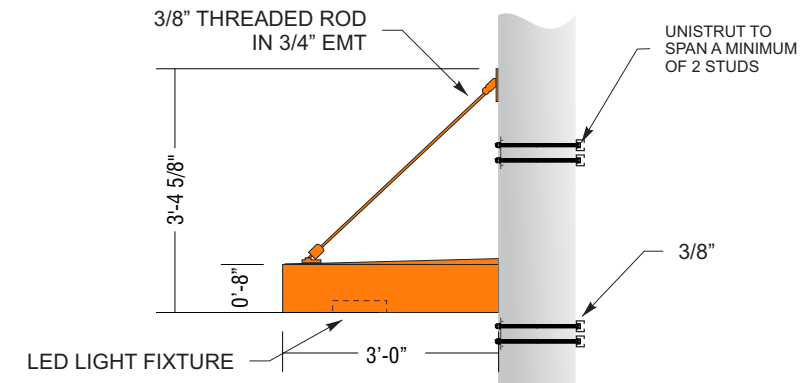
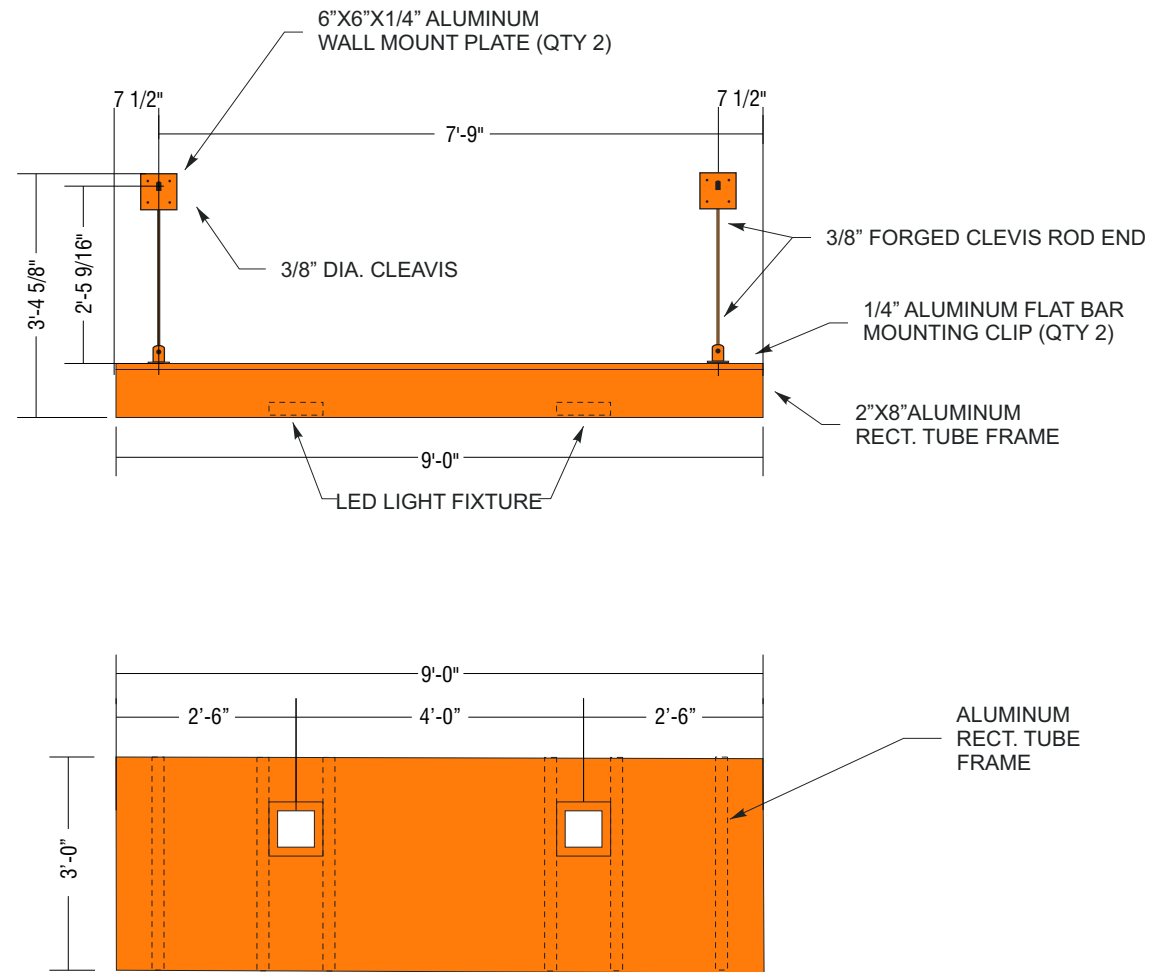
1517 NC 24-87
Cameron, NC 28326

H: MARKETING DESIGN / CDR / P / POPEYES RETRO / CAMERON, NC.cdr



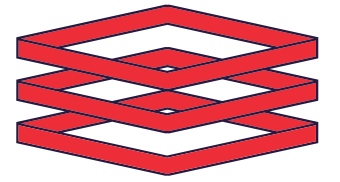
DEPARTMENT
ART

DRIVE-UP WINDOW CANOPY • 9' x 3'



SPECIFICATIONS:

1. 2" x 8" ALUMINUM RECT. TUBE CANOPY FRAME WITH .090" BRAKE FORMED STIFFENERS
2. ACM TOP AND OPEN BOTTOMS
3. PAINT CANOPY PMS 3564 ORANGE
4. SUPPORT RODS TO MATCH CANOPY (PAINT PMS 3564 ORANGE)



ENTERA

Your total branding solution

5900 VENTURE CROSSINGS BLVD

PANAMA CITY, FL 32409

PH: 850-763-7982

FAX: 850-392-0673

www.enterabrading.com

THIS DOCUMENT CONTAINS PROPRIETARY AND CONFIDENTIAL INFORMATION OF ENTERA, L.L.C. AND SHALL NOT BE USED, DISCLOSED OR REPRODUCED, IN WHOLE OR IN PART, FOR ANY PURPOSE OTHER THAN TO EVALUATE THIS DOCUMENT, WITHOUT THE PRIOR WRITTEN CONSENT OF ENTERA, L.L.C. TITLE IN AND TO THIS DOCUMENT AND ALL INFORMATION CONTAINED HEREIN REMAINS AT ALL TIMES PROPERTY OF ENTERA, L.L.C.

COLOR NOTES



REVISION

1.	03.14.24 MW
2.	03.18.24 DT
3.	05.07.24 DT
4.	XXXXX

ARTIST

DT

CLIENT

POPEYES RETRO

SCALE

3/8" = 1'-0"

DATE

03.08.24

LOCATION

1517 NC 24-87
Cameron, NC 28326

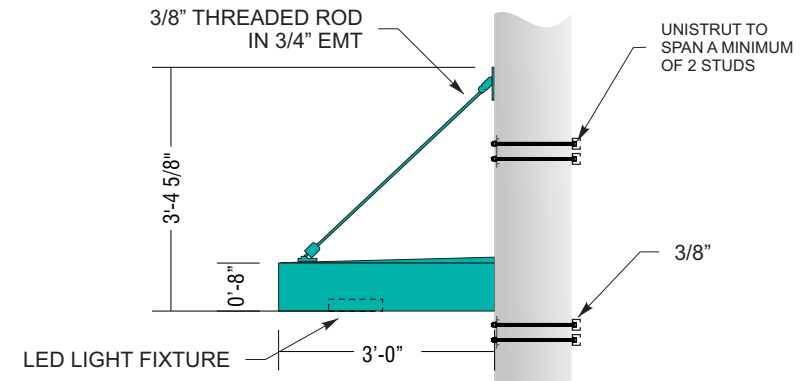
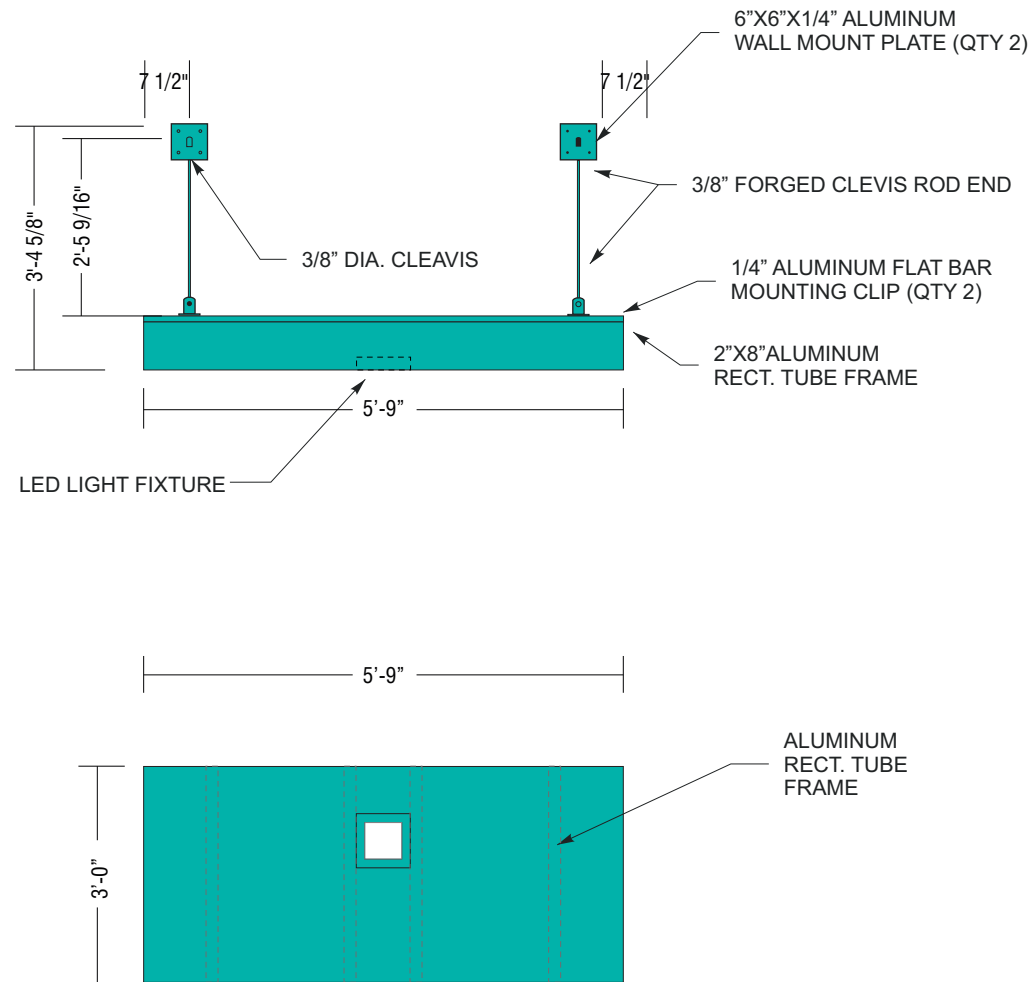
H: MARKETING DESIGN / CDR / P / POPEYES RETRO / CAMERON, NC.cdr



DEPARTMENT:
ART

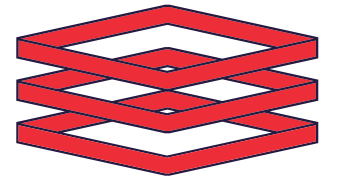


5'-9" OPEN CANOPY



SPECIFICATIONS:

1. 2" x 8" ALUMINUM RECT. TUBE CANOPY FRAME WITH .090" BRAKE FORMED STIFFENERS
2. ACM TOP AND OPEN BOTTOMS
3. PAINT CANOPY TO MATCH PMS 326 TEAL
4. SUPPORT RODS TO MATCH CANOPY (TEAL)



ENTERA

Your total branding solution

5900 VENTURE CROSSINGS BLVD

PANAMA CITY, FL 32409

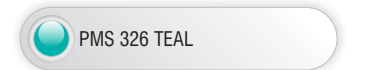
PH: 850-763-7982

FAX: 850-392-0673

www.enterabrading.com

THIS DOCUMENT CONTAINS PROPRIETARY AND CONFIDENTIAL INFORMATION OF ENTERA, L.L.C. AND SHALL NOT BE USED, DISCLOSED OR REPRODUCED, IN WHOLE OR IN PART, FOR ANY PURPOSE OTHER THAN TO EVALUATE THIS DOCUMENT, WITHOUT THE PRIOR WRITTEN CONSENT OF ENTERA, L.L.C. TITLE IN AND TO THIS DOCUMENT AND ALL INFORMATION CONTAINED HEREIN REMAINS AT ALL TIMES PROPERTY OF ENTERA, L.L.C.

COLOR NOTES



REVISION

1.	03.14.24 MW
2.	03.18.24 DT
3.	05.07.24 DT
4.	XXXXX

ARTIST

DT

CLIENT

POPEYES RETRO

SCALE

3/8" = 1'-0"

DATE

03.08.24

LOCATION

1517 NC 24-87
Cameron, NC 28326

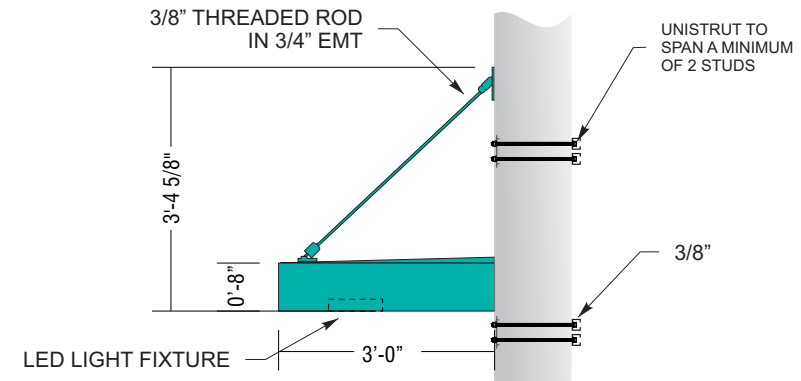
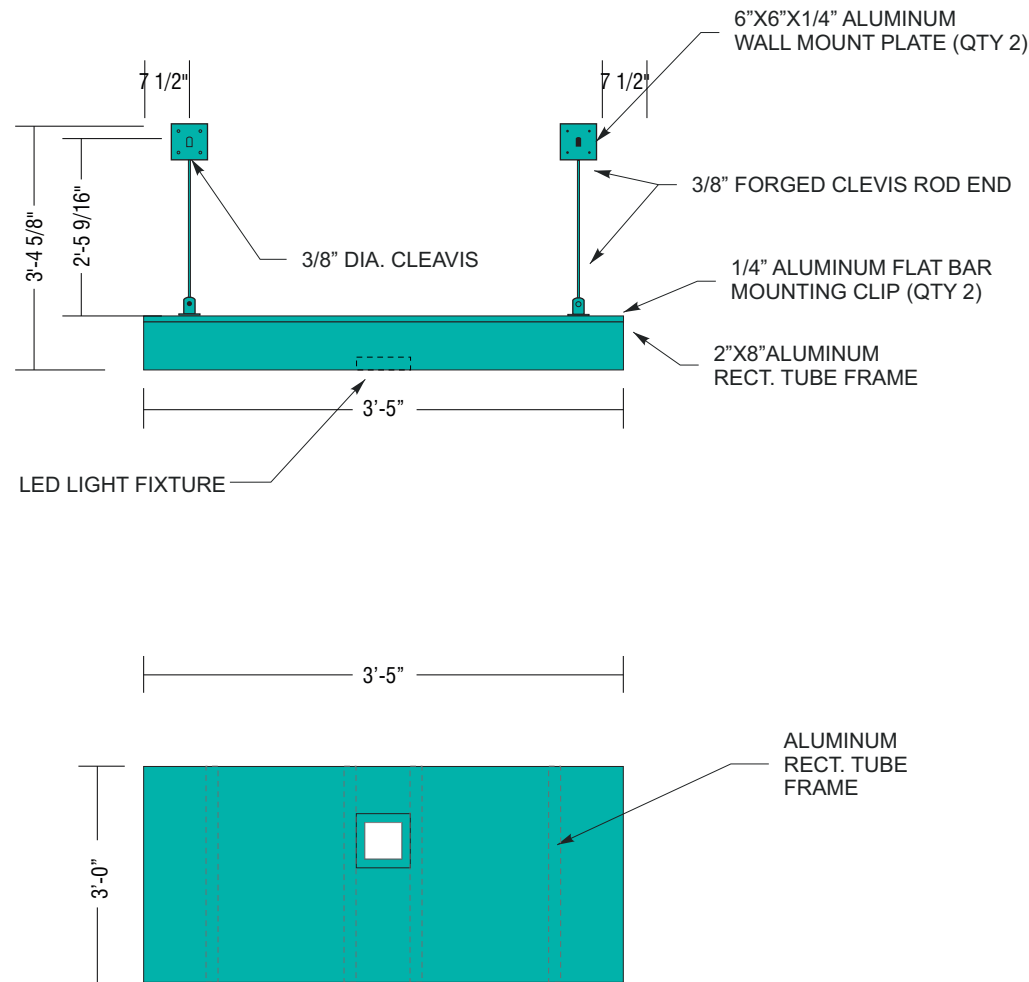
H: MARKETING DESIGN / CDR / P / POPEYES RETRO / CAMERON, NC.cdr



DEPARTMENT:
ART

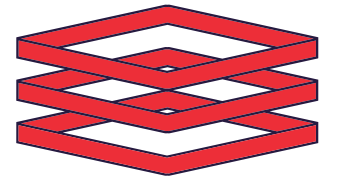


3'-5" OPEN CANOPY



SPECIFICATIONS:

1. 2" x 8" ALUMINUM RECT. TUBE CANOPY FRAME WITH .090" BRAKE FORMED STIFFENERS
2. ACM TOP AND OPEN BOTTOMS
3. PAINT CANOPY TO MATCH PMS 326 TEAL
4. SUPPORT RODS TO MATCH CANOPY (TEAL)



ENTERA

Your total branding solution

5900 VENTURE CROSSINGS BLVD

PANAMA CITY, FL 32409

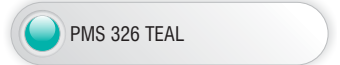
PH: 850-763-7982

FAX: 850-392-0673

www.enterabrading.com

THIS DOCUMENT CONTAINS PROPRIETARY AND CONFIDENTIAL INFORMATION OF ENTERA, LLC. AND SHALL NOT BE USED, DISCLOSED OR REPRODUCED, IN WHOLE OR IN PART, FOR ANY PURPOSE OTHER THAN TO EVALUATE THIS DOCUMENT, WITHOUT THE PRIOR WRITTEN CONSENT OF ENTERA, LLC. TITLE IN AND TO THIS DOCUMENT AND ALL INFORMATION CONTAINED HEREIN REMAINS AT ALL TIMES PROPERTY OF ENTERA, LLC.

COLOR NOTES

 PMS 326 TEAL

REVISION

1.	03.14.24 MW
2.	03.18.24 DT
3.	05.07.24 DT
4.	XXXXX

ARTIST

DT

CLIENT

POPEYES RETRO

SCALE

3/8" = 1'-0"

DATE

03.08.24

LOCATION

1517 NC 24-87
Cameron, NC 28326

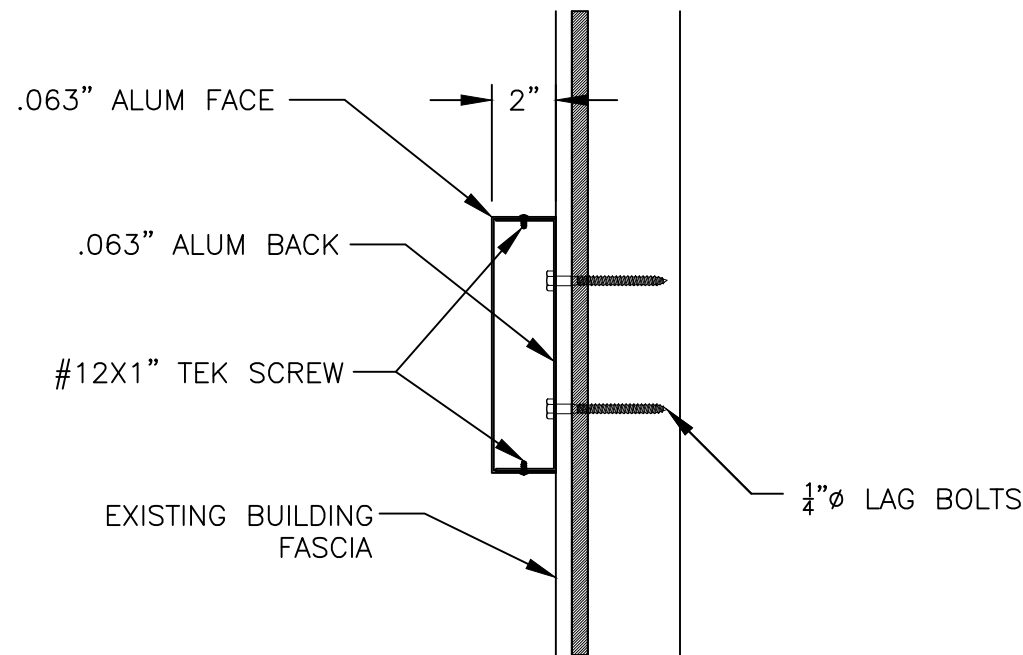
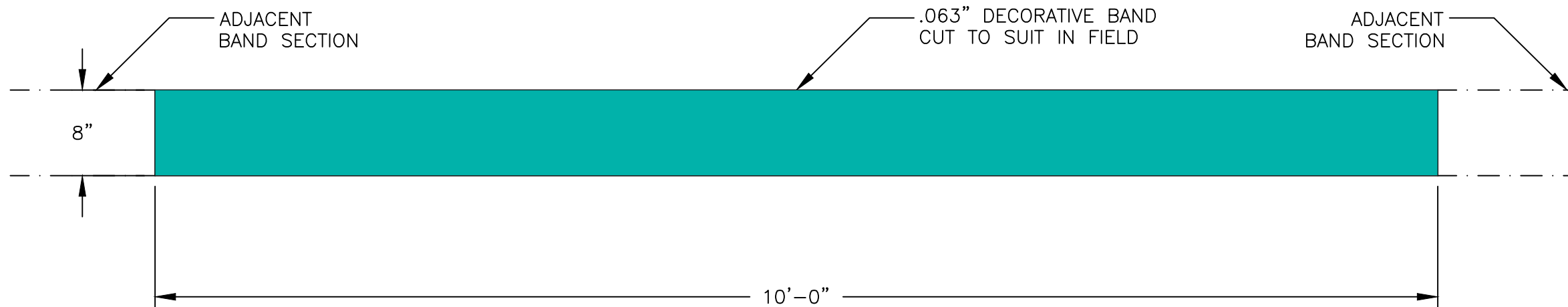
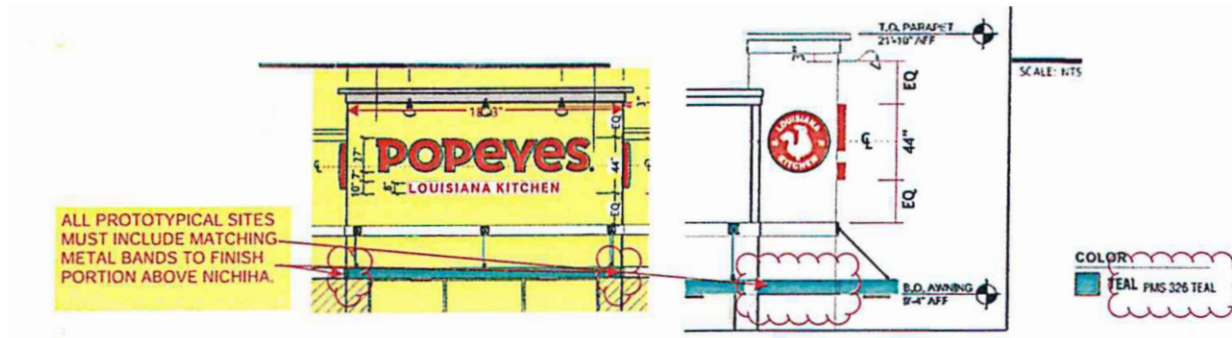
H: MARKETING DESIGN / CDR / P / POPEYES RETRO / CAMERON, NC.cdr



DEPARTMENT:
ART

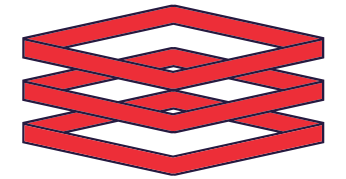


NON-LIT MATCHING PORTAL BAND



BAND SECTION DETAIL

SPECIFICATIONS:
 SUPPLIED IN 10' SECTIONS - CUT TO LENGTH ON SITE
 COLOR TO MATCH ADJACENT CANOPY
 TEAL: PMS 326
 QTY: 3



ENTERA

Your total branding solution

5900 VENTURE CROSSINGS BLVD
 PANAMA CITY, FL 32409

PH: 850-763-7982

FAX: 850-392-0673

www.enterabrading.com

THIS DOCUMENT CONTAINS PROPRIETARY AND CONFIDENTIAL INFORMATION OF ENTERA, LLC. AND SHALL NOT BE USED, DISCLOSED OR REPRODUCED, IN WHOLE OR IN PART, FOR ANY PURPOSE OTHER THAN TO EVALUATE THIS DOCUMENT, WITHOUT THE PRIOR WRITTEN CONSENT OF ENTERA, LLC. TITLE IN AND TO THIS DOCUMENT AND ALL INFORMATION CONTAINED HEREIN REMAINS AT ALL TIMES PROPERTY OF ENTERA, LLC.

COLOR NOTES

TEAL PMS 326 TEAL

REVISION

1.	03.14.24 MW
2.	03.18.24 DT
3.	05.07.24 DT
4.	XXXXX

ARTIST

DT

CLIENT

POPEYES RETRO

SCALE

3/8" = 1'-0"

DATE

03.08.24

LOCATION

1517 NC 24-87
 Cameron, NC 28326

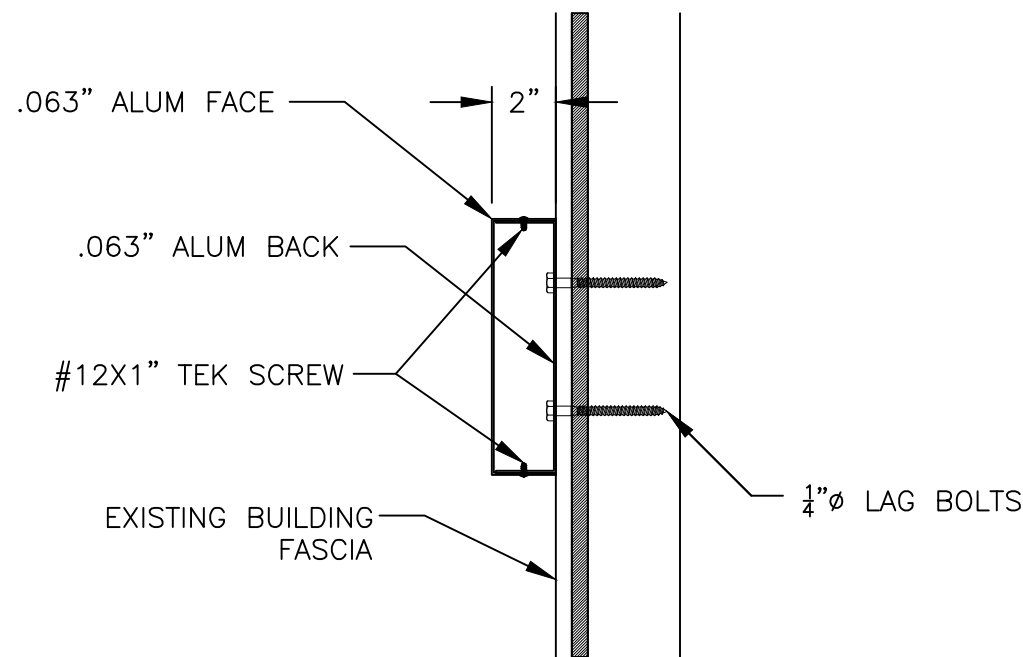
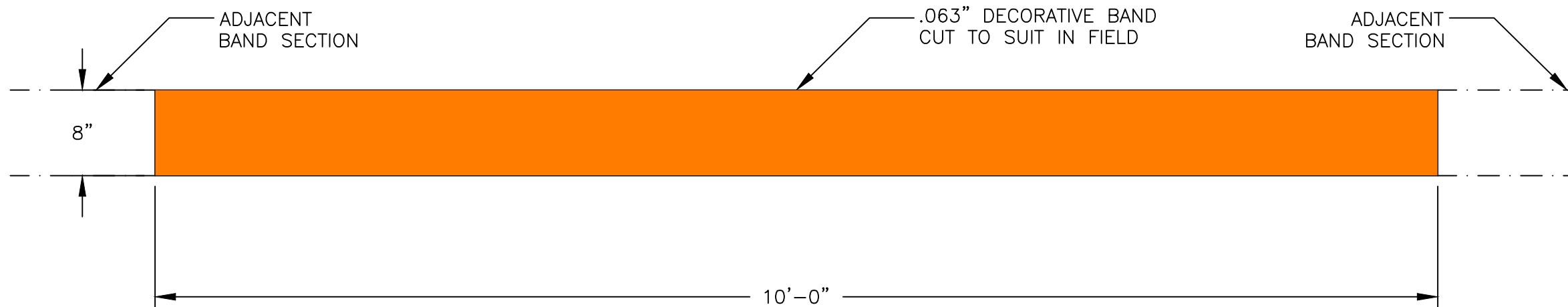
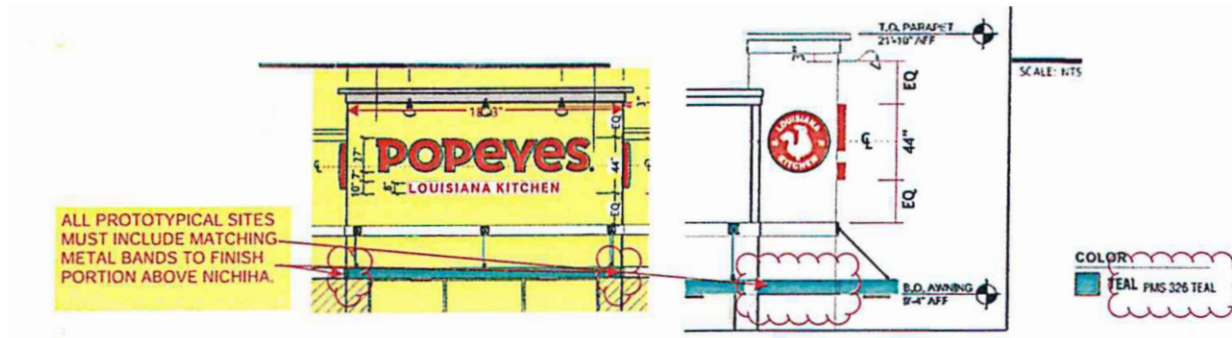
H: MARKETING DESIGN / CDR / P / POPEYES RETRO / CAMERON, NC.cdr



DEPARTMENT: ART

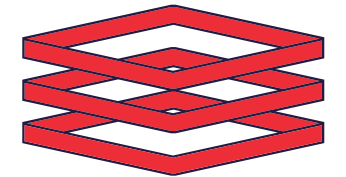


NON-LIT MATCHING PORTAL BAND



BAND SECTION DETAIL

SPECIFICATIONS:
 SUPPLIED IN 10' SECTIONS - CUT TO LENGTH ON SITE
 COLOR TO MATCH ADJACENT CANOPY
 ORANGE: PMS 3564
 QTY: 3



ENTERA

Your total branding solution

5900 VENTURE CROSSINGS BLVD
 PANAMA CITY, FL 32409
 PH: 850-763-7982
 FAX: 850-392-0673
 www.enterabrading.com

THIS DOCUMENT CONTAINS PROPRIETARY AND CONFIDENTIAL INFORMATION OF ENTERA, LLC. AND SHALL NOT BE USED, DISCLOSED OR REPRODUCED, IN WHOLE OR IN PART, FOR ANY PURPOSE OTHER THAN TO EVALUATE THIS DOCUMENT, WITHOUT THE PRIOR WRITTEN CONSENT OF ENTERA, LLC. TITLE IN AND TO THIS DOCUMENT AND ALL INFORMATION CONTAINED HEREIN REMAINS AT ALL TIMES PROPERTY OF ENTERA, LLC.

COLOR NOTES



PMS 3564

REVISION

1.	03.14.24 MW
2.	03.18.24 DT
3.	05.07.24 DT
4.	XXXXX

ARTIST

DT

CLIENT

POPEYES RETRO

SCALE

3/8" = 1'-0"

DATE

03.08.24

LOCATION

1517 NC 24-87
 Cameron, NC 28326

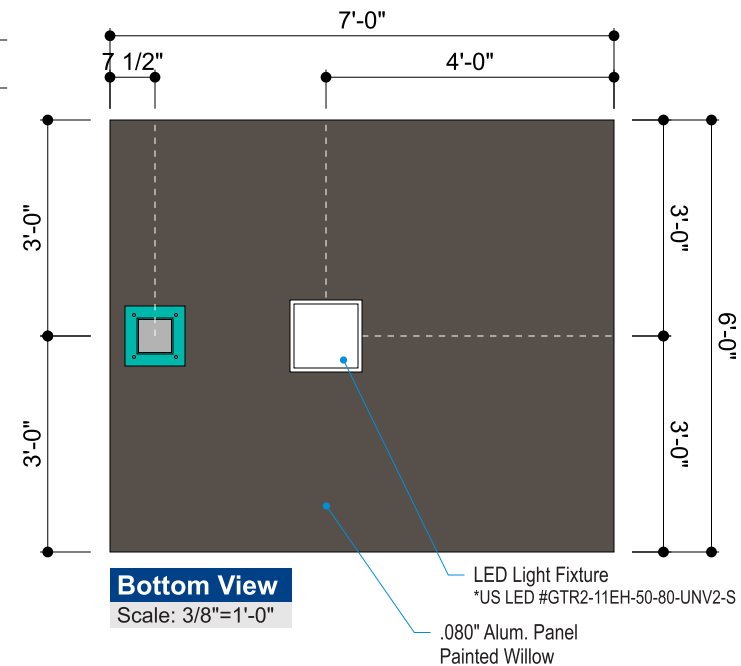
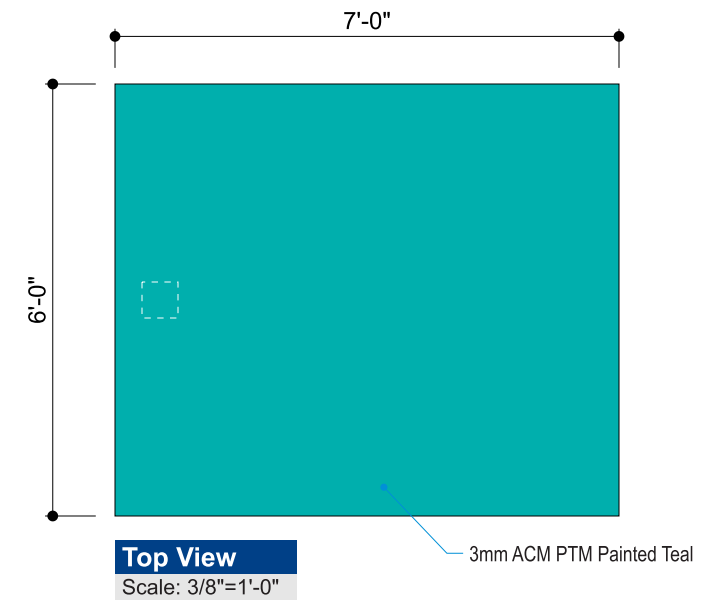
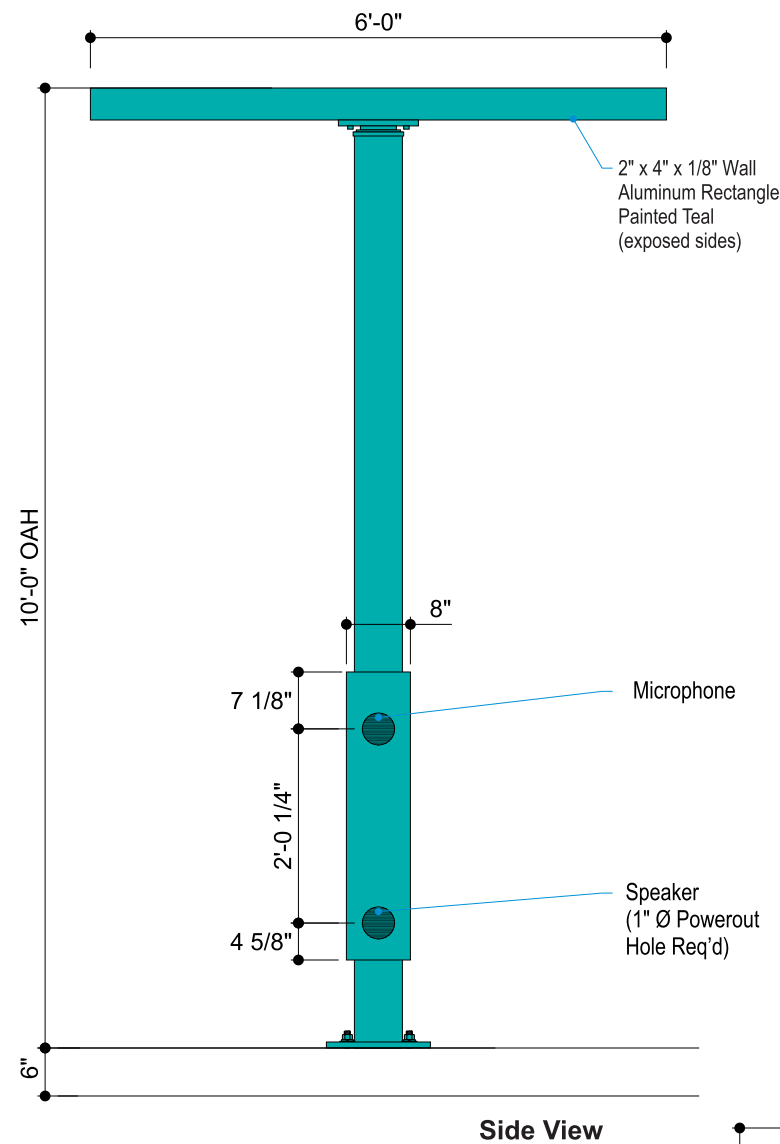
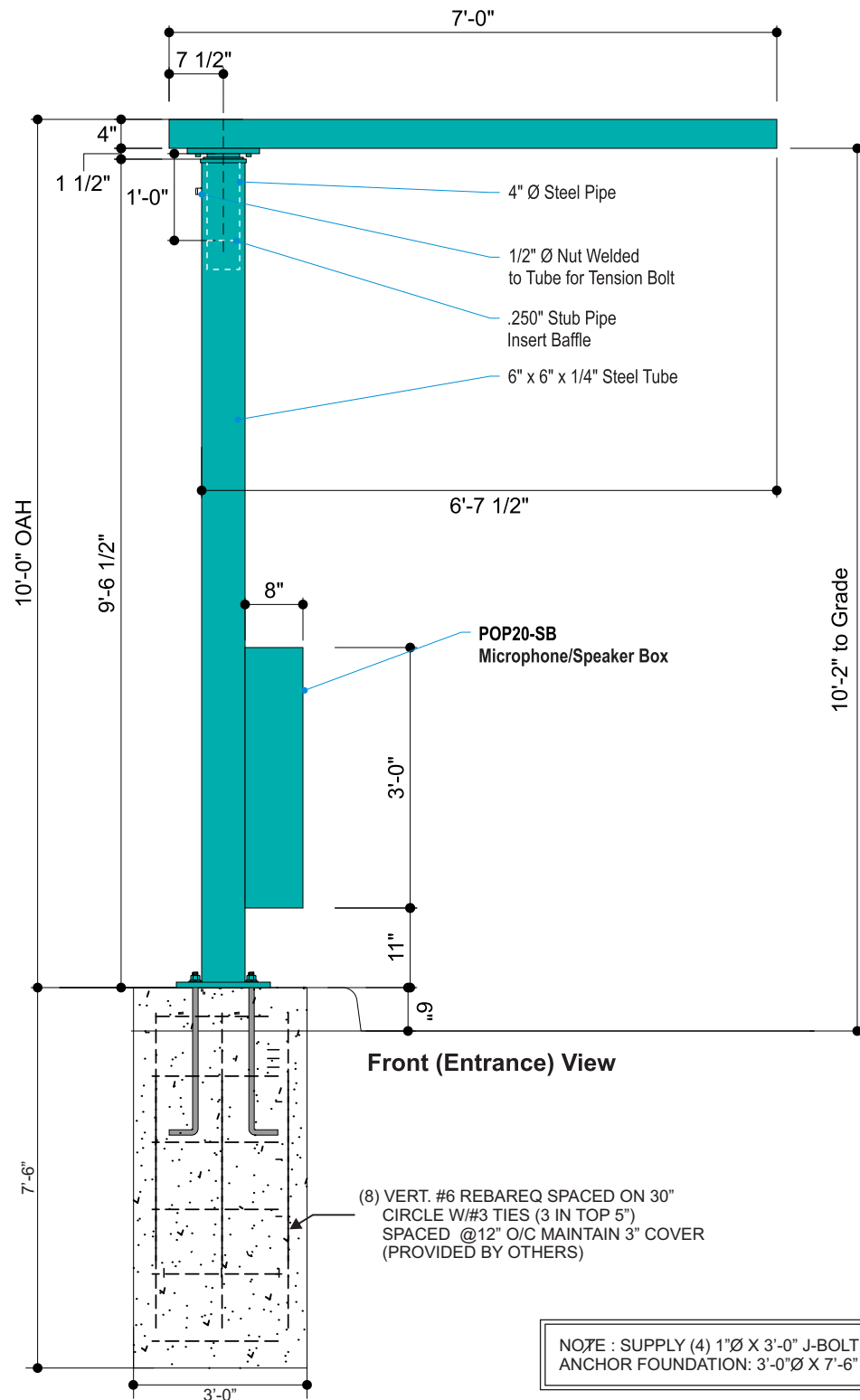
H: MARKETING DESIGN / CDR / P / POPEYES RETRO / CAMERON, NC.cdr



DEPARTMENT:
 ART



DRIVE THRU CANOPY



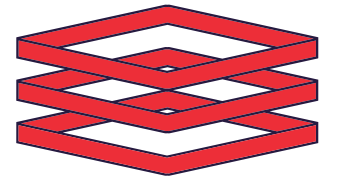
NOTE: SUPPLY (4) 1" Ø X 3'-0" J-BOLT
ANCHOR FOUNDATION: 3'-0" Ø X 7'-6" AUGER

SPECIFICATIONS:

CANOPY: FABRICATED ALUMINUM & ACM STRUCTURE W/ STEEL TUBE SUPPORT.

ELECTRICAL: ACTUAL NUMBER OF CIRCUITS TO BE DETERMINED BY LICENSED ELECTRICAL CONTRACTOR

(1) 20 AMP CIRCUIT, 120 VOLTS - ALL WIRING SHALL BE 12 GA



ENTERA

Your total branding solution

5900 VENTURE CROSSINGS BLVD

PANAMA CITY, FL 32409

PH: 850-763-7982

FAX: 850-392-0673

www.enterabrading.com

THIS DOCUMENT CONTAINS PROPRIETARY AND CONFIDENTIAL INFORMATION OF ENTERA, LLC. AND SHALL NOT BE USED, DISCLOSED OR REPRODUCED, IN WHOLE OR IN PART, FOR ANY PURPOSE OTHER THAN TO EVALUATE THIS DOCUMENT, WITHOUT THE PRIOR WRITTEN CONSENT OF ENTERA, LLC. TITLE IN AND TO THIS DOCUMENT AND ALL INFORMATION CONTAINED HEREIN REMAINS AT ALL TIMES PROPERTY OF ENTERA, LLC.

COLOR NOTES



REVISION

1.	03.14.24 MW
2.	03.18.24 DT
3.	05.07.24 DT
4.	XXXXX

ARTIST

DT

CLIENT

POPEYES RETRO

SCALE

1/2" = 1'-0"

DATE

03.08.24

LOCATION

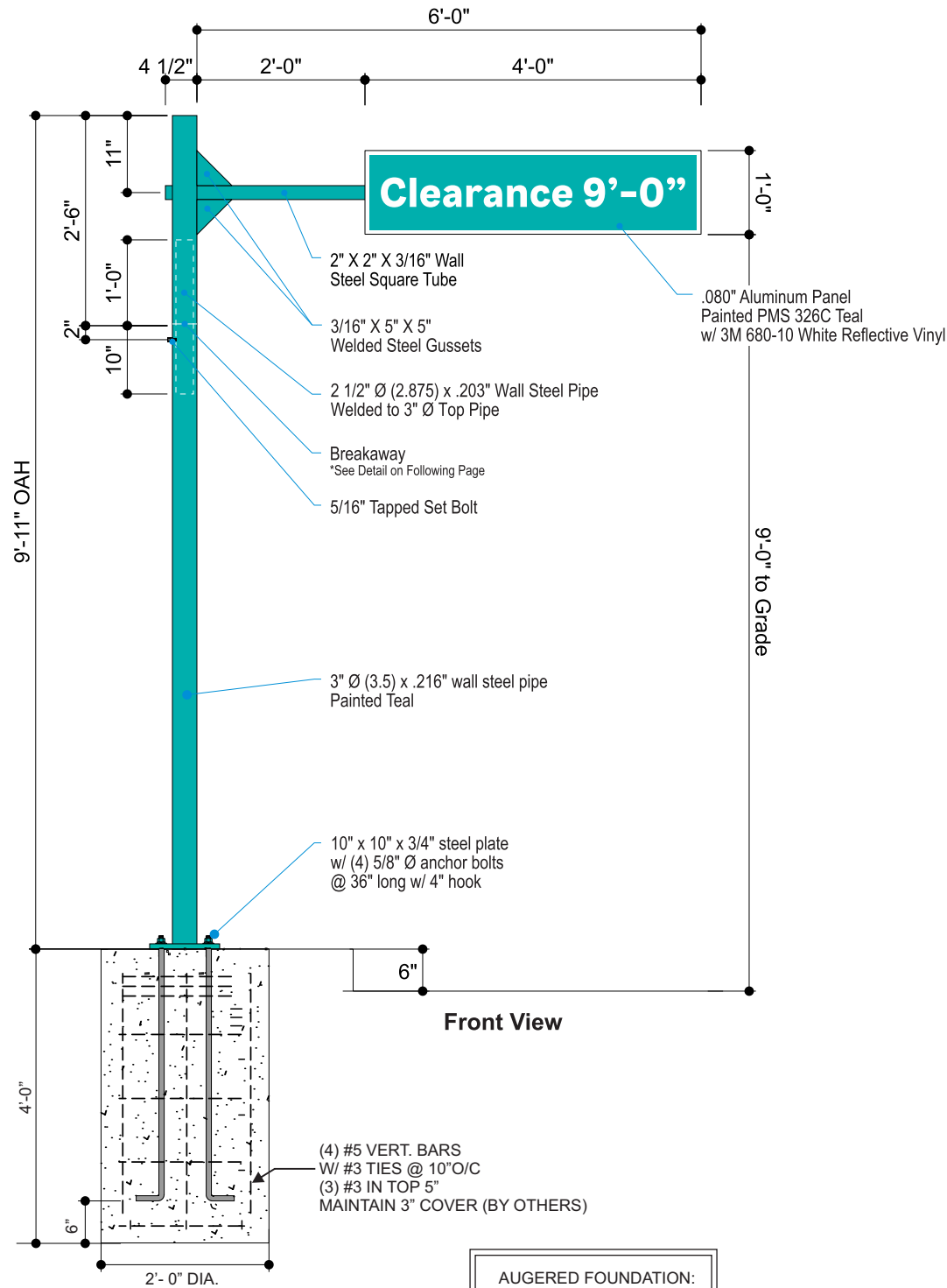
1517 NC 24-87
Cameron, NC 28326

H: MARKETING DESIGN / CDR / P / POPEYES RETRO / CAMERON, NC.cdr



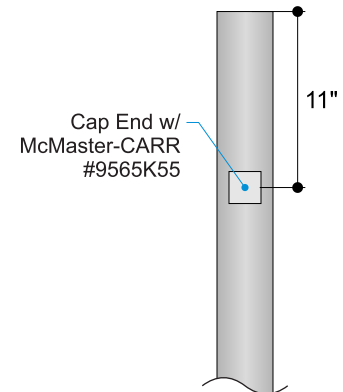
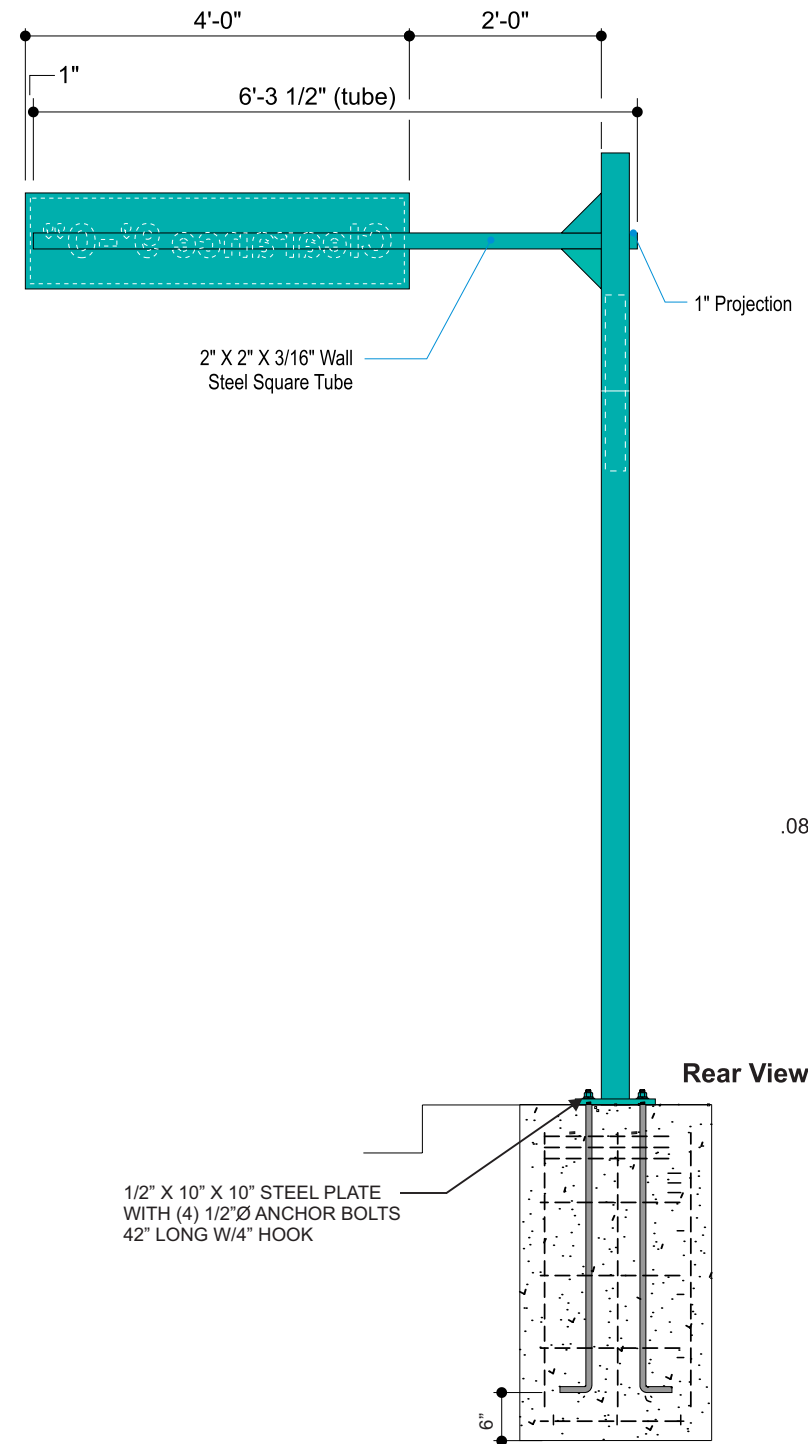
DEPARTMENT
ART

9' SINGLE CLEARANCE BAR

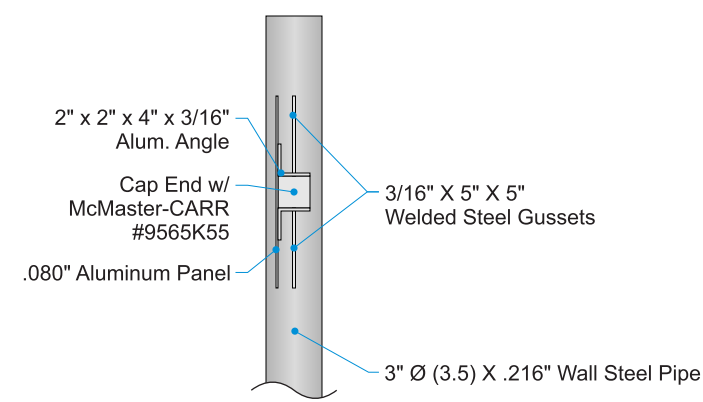


Clearance 9'-0"

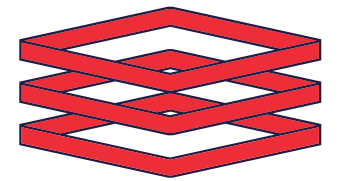
AUGERED FOUNDATION:
2'-0" Ø X 4'-0" DP
TOTAL= .47 CU.YDS.



Side View



Side "Clearance" View



ENTERA

Your total branding solution

5900 VENTURE CROSSINGS BLVD
PANAMA CITY, FL 32409

PH: 850-763-7982

FAX: 850-392-0673

www.enterabrading.com

THIS DOCUMENT CONTAINS PROPRIETARY AND CONFIDENTIAL INFORMATION OF ENTERA, LLC. AND SHALL NOT BE USED, DISCLOSED OR REPRODUCED, IN WHOLE OR IN PART, FOR ANY PURPOSE OTHER THAN TO EVALUATE THIS DOCUMENT, WITHOUT THE PRIOR WRITTEN CONSENT OF ENTERA, LLC. TITLE IN AND TO THIS DOCUMENT AND ALL INFORMATION CONTAINED HEREIN REMAINS AT ALL TIMES PROPERTY OF ENTERA, LLC.

COLOR NOTES

- PMS 326 TEAL
- 3M #680-10 WHITE REFLECTIVE

REVISION

1.	03.14.24 MW
2.	03.18.24 DT
3.	05.07.24 DT
4.	XXXXX

ARTIST

DT

CLIENT

POPEYES RETRO

SCALE

1/2" = 1'-0"

DATE

03.08.24

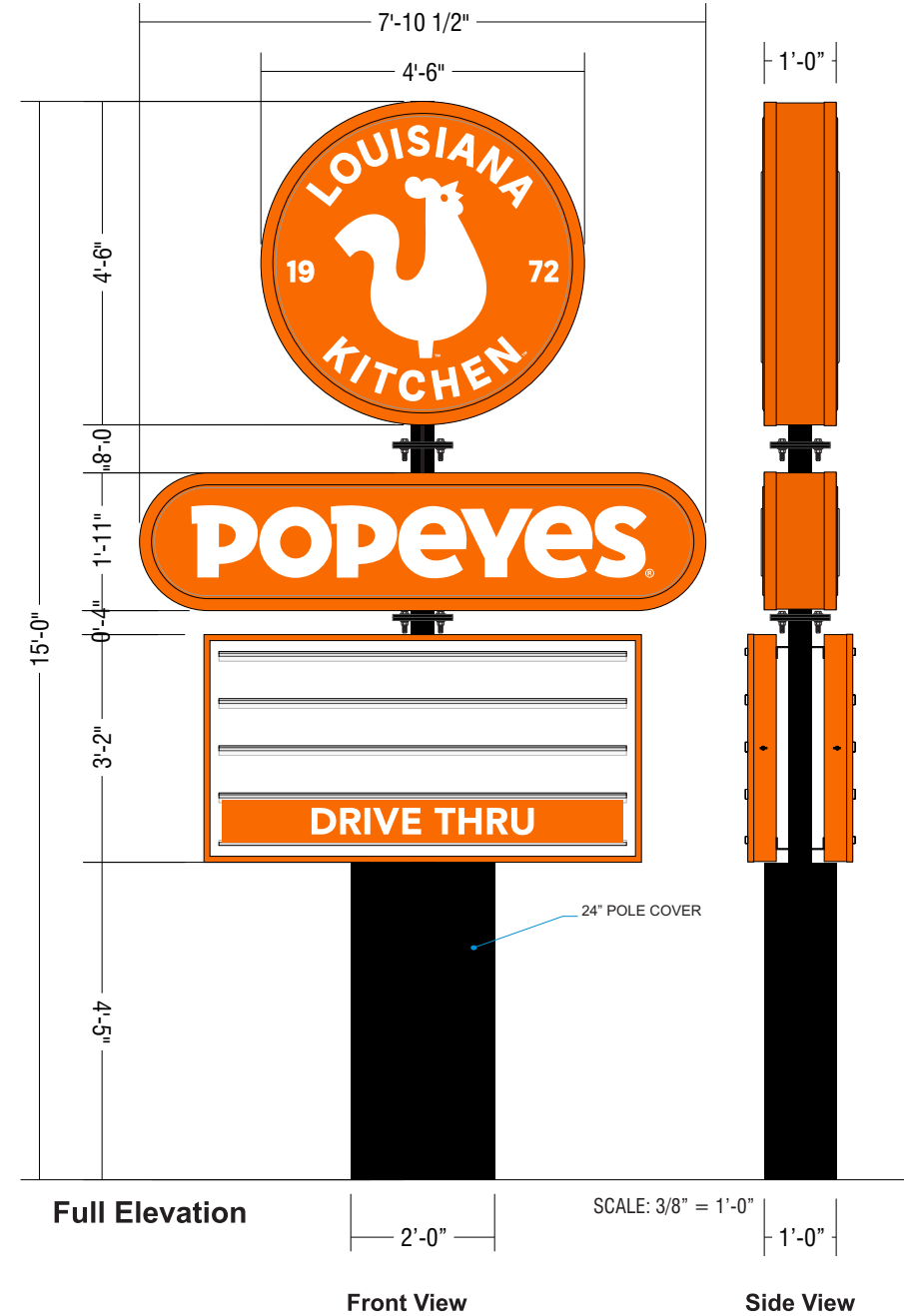
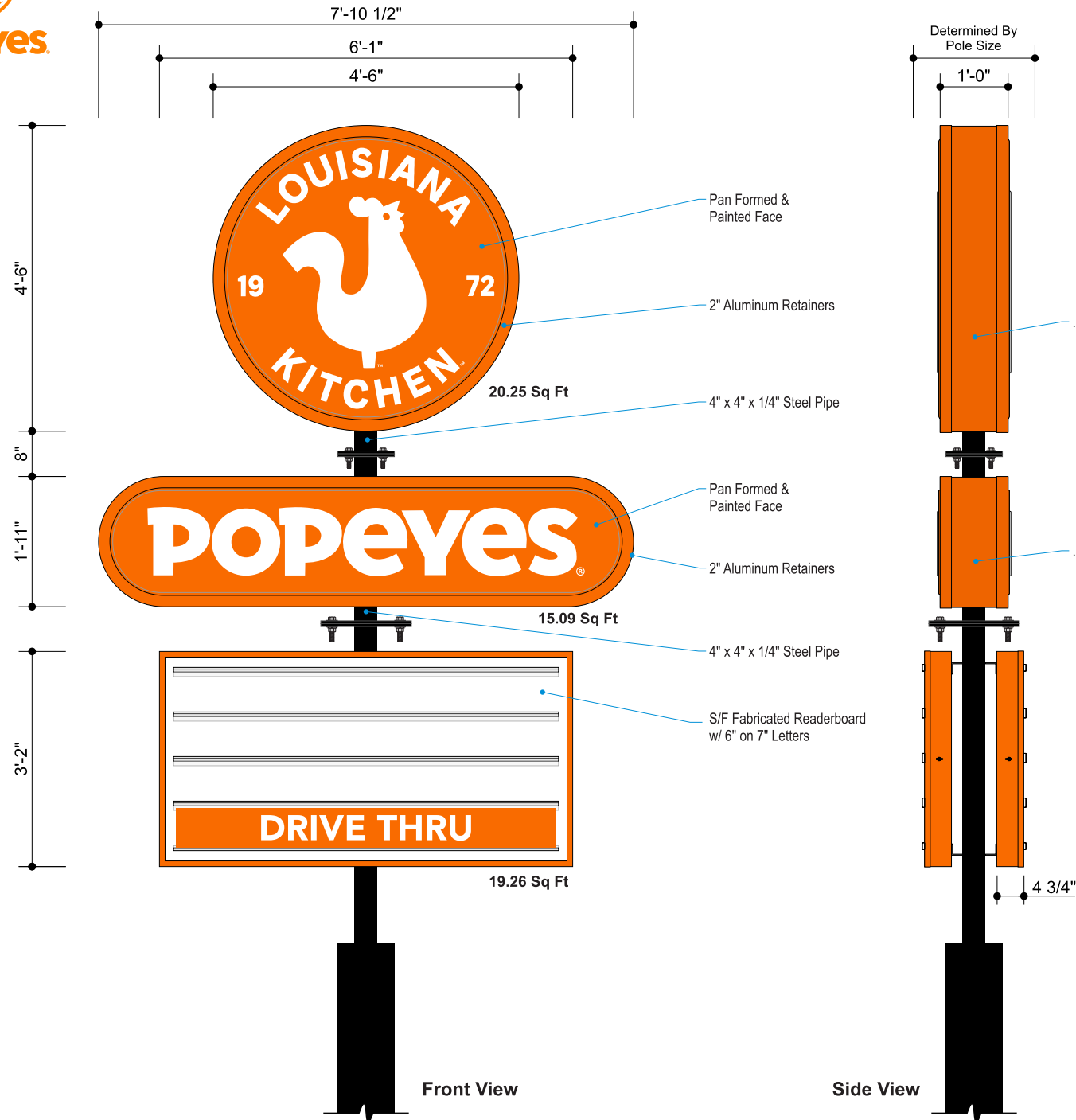
LOCATION

1517 NC 24-87
Cameron, NC 28326

H: MARKETING DESIGN / CDR / P / POPEYES RETRO / CAMERON, NC.cdr



P30 PYLON SIGN @ 15' OAH • 54.60 SQFT



SPECIFICATIONS:

FACES: .177" CLEAR POLYCARBONATE FACES W/ 2ND SURFACE 3M VINYL& DIFFUSER

CABINETS: CONSTRUCTED W/ ALUM. ANGLE AND .080 ALUM. SKIN

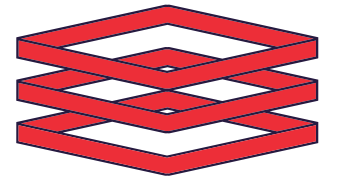
RETAINERS - 2"

RB: SET OF S/F CABINETS W/ FLAT FACES. 4 - LINES OF 6" LETTERS ON 7" PANEL

ILLUM: WHITE LEDS AS REQUIRED PER MANUFACTURER, SELF CONTAINED POWER SUPPLIES

ELECTRICAL: ACTUAL NUMBER OF CIRCUITS TO BE DETERMINED BY LICENSED ELECTRICAL CONTRACTOR

(1) 20 AMP CIRCUIT, 120 VOLTS - ALL WIRING SHALL BE 12 GA



ENTERA

Your total branding solution

5900 VENTURE CROSSINGS BLVD

PANAMA CITY, FL 32409

PH: 850-763-7982

FAX: 850-392-0673

www.enterabrading.com

THIS DOCUMENT CONTAINS PROPRIETARY AND CONFIDENTIAL INFORMATION OF ENTERA, LLC. AND SHALL NOT BE USED, DISCLOSED OR REPRODUCED, IN WHOLE OR IN PART, FOR ANY PURPOSE OTHER THAN TO EVALUATE THIS DOCUMENT, WITHOUT THE PRIOR WRITTEN CONSENT OF ENTERA, LLC. TITLE IN AND TO THIS DOCUMENT AND ALL INFORMATION CONTAINED HEREIN REMAINS AT ALL TIMES PROPERTY OF ENTERA, LLC.

COLOR NOTES

- 3M #3630-20 WHITE VINYL (COPY)
- 3M #3630-84 ORANGE VINYL (BACKGROUND)
- PMS 3564 ORANGE

REVISION

1.	03.14.24 MW
2.	03.18.24 DT
3.	05.07.24 DT
4.	XXXXX

ARTIST

DT

CLIENT

POPEYES RETRO

SCALE

3/8" = 1'-0"

DATE

03.08.24

LOCATION

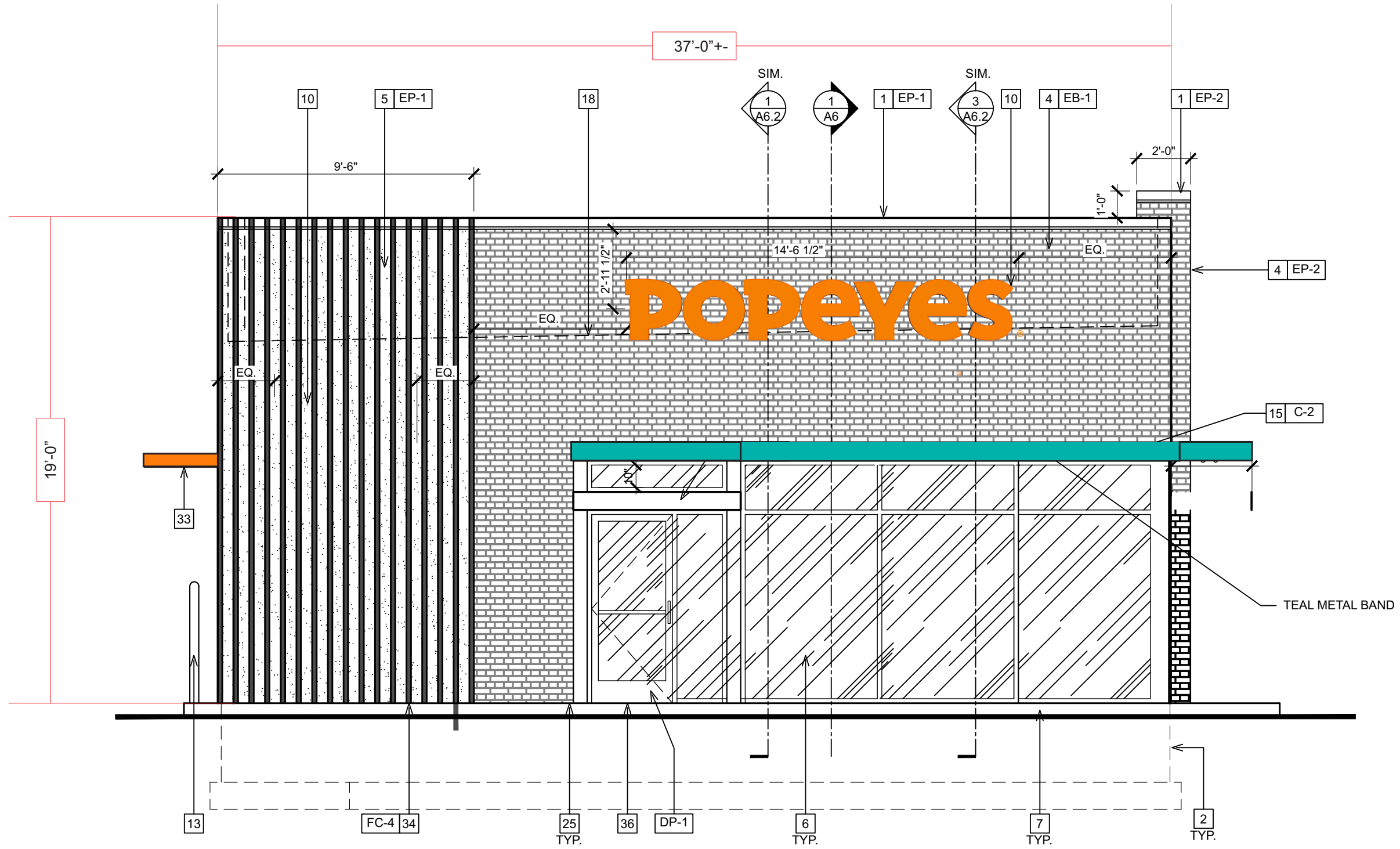
1517 NC 24-87
Cameron, NC 28326

H: MARKETING DESIGN / CDR / P / POPEYES RETRO / CAMERON, NC.cdr

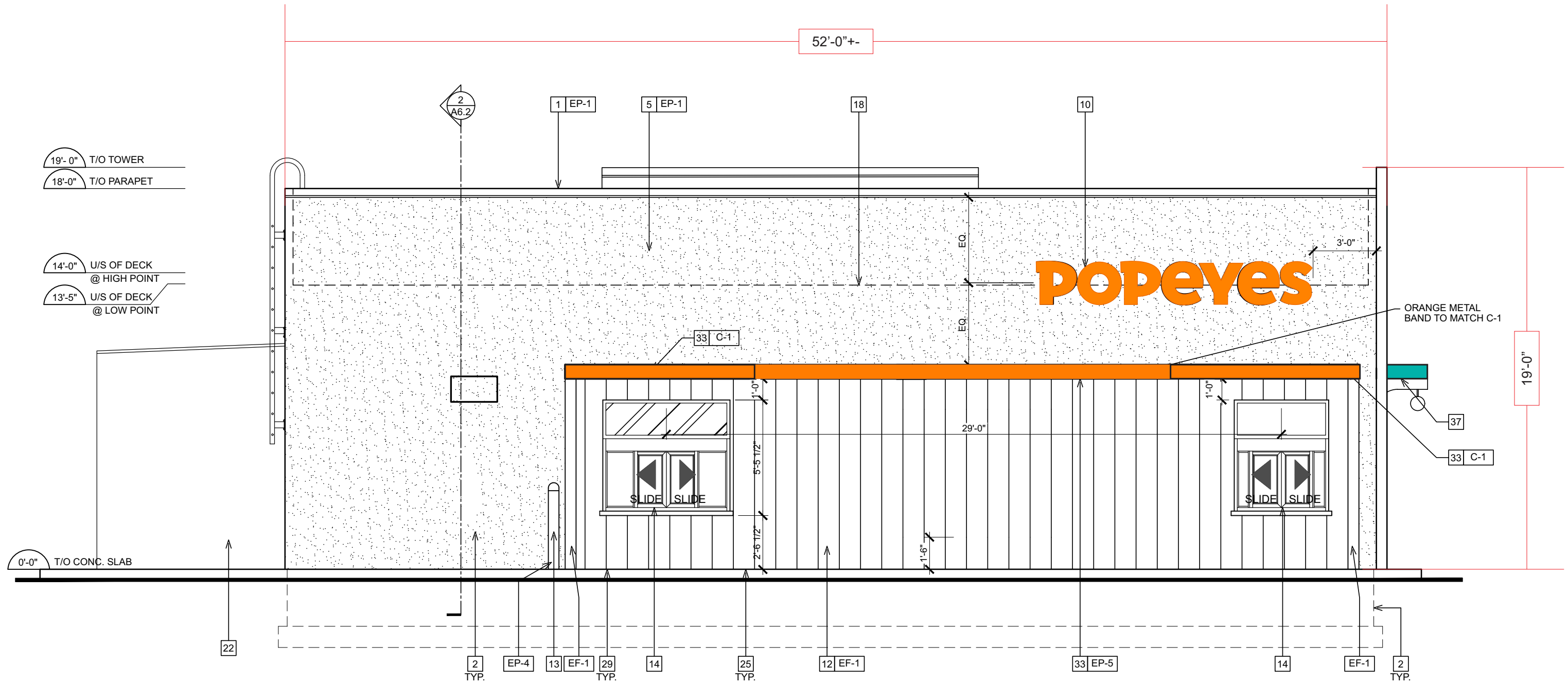


DEPARTMENT
ART

PROPOSED FRONT ELEVATION



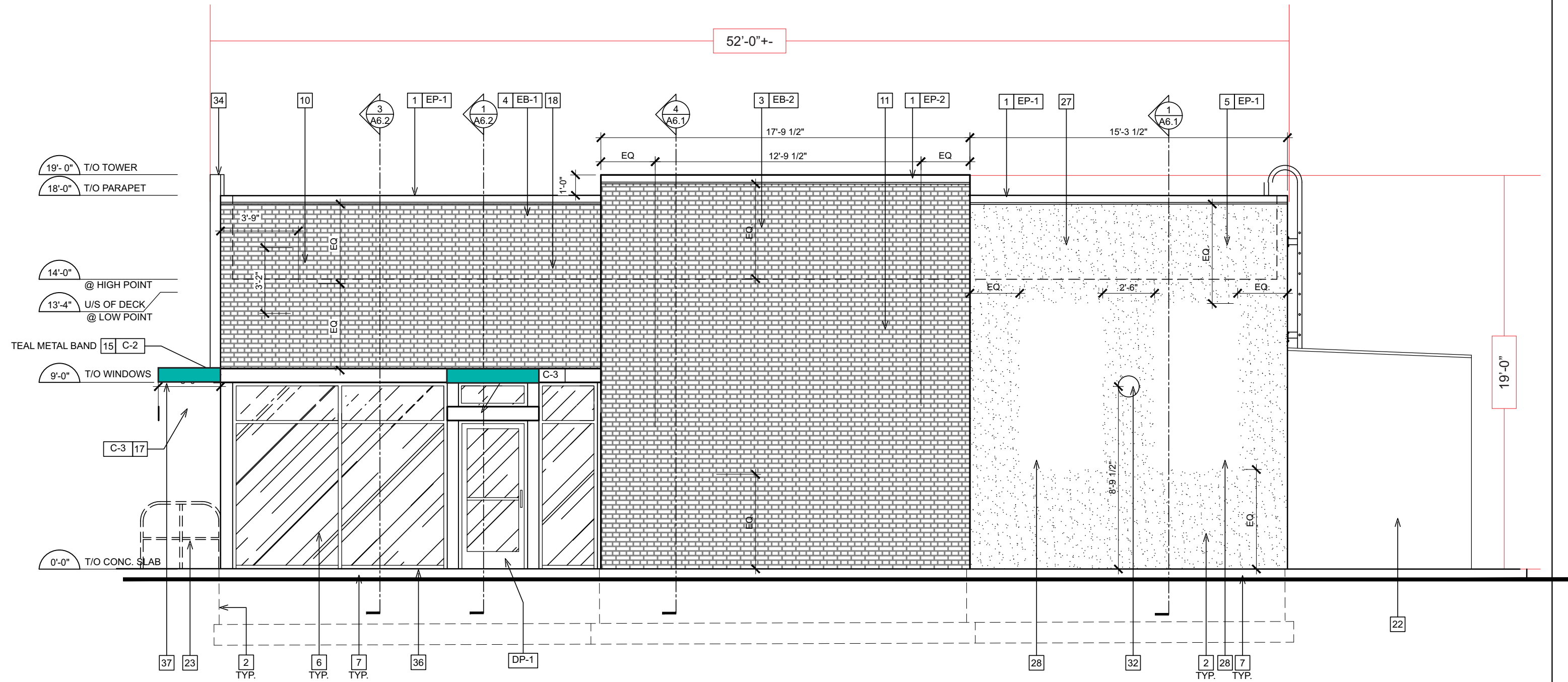
PROPOSED DRIVE THRU ELEVATION



2 PROPOSED DT ELEVATION
A5 SCALE: 1/4"=1' - 0"



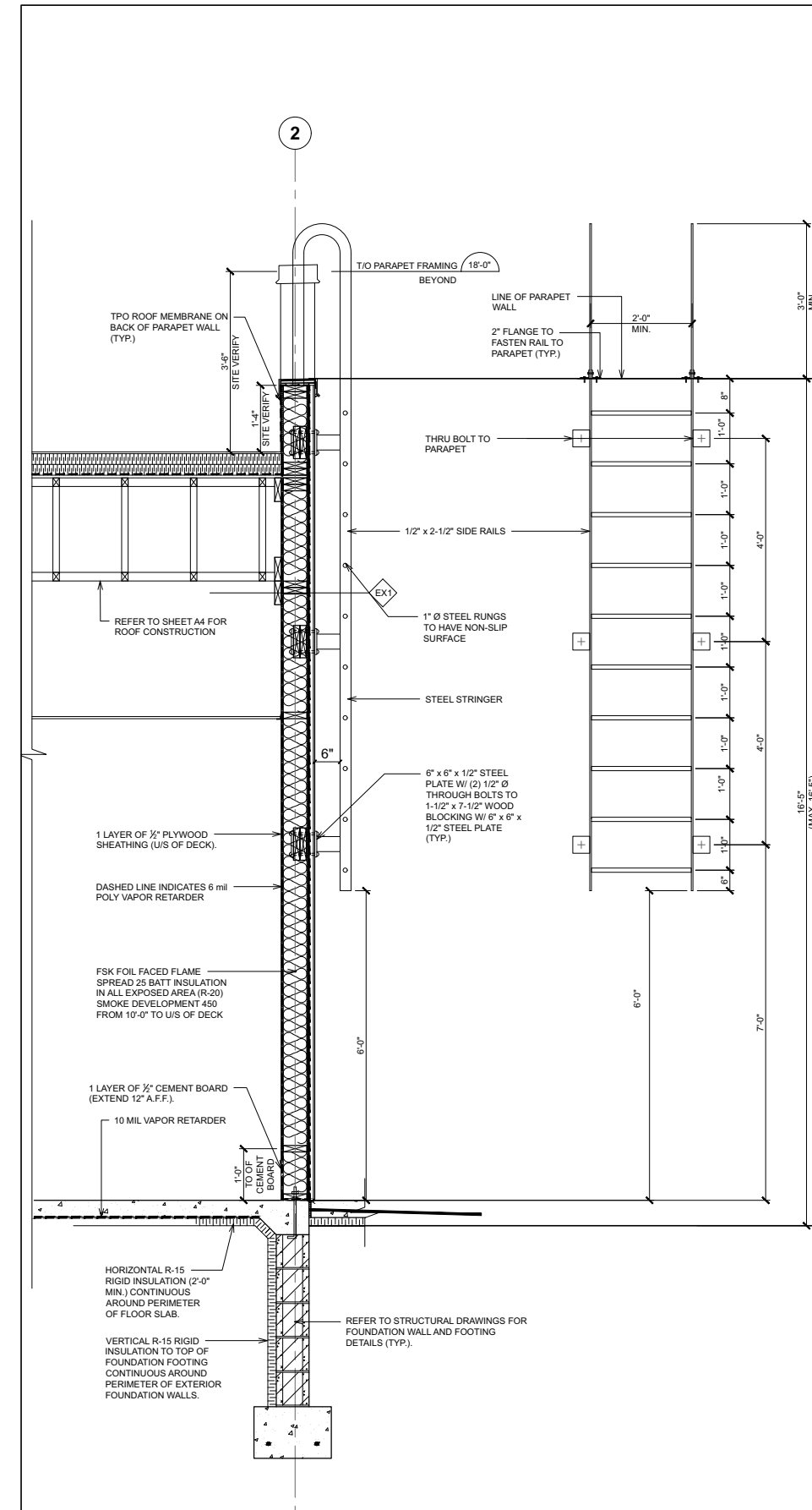
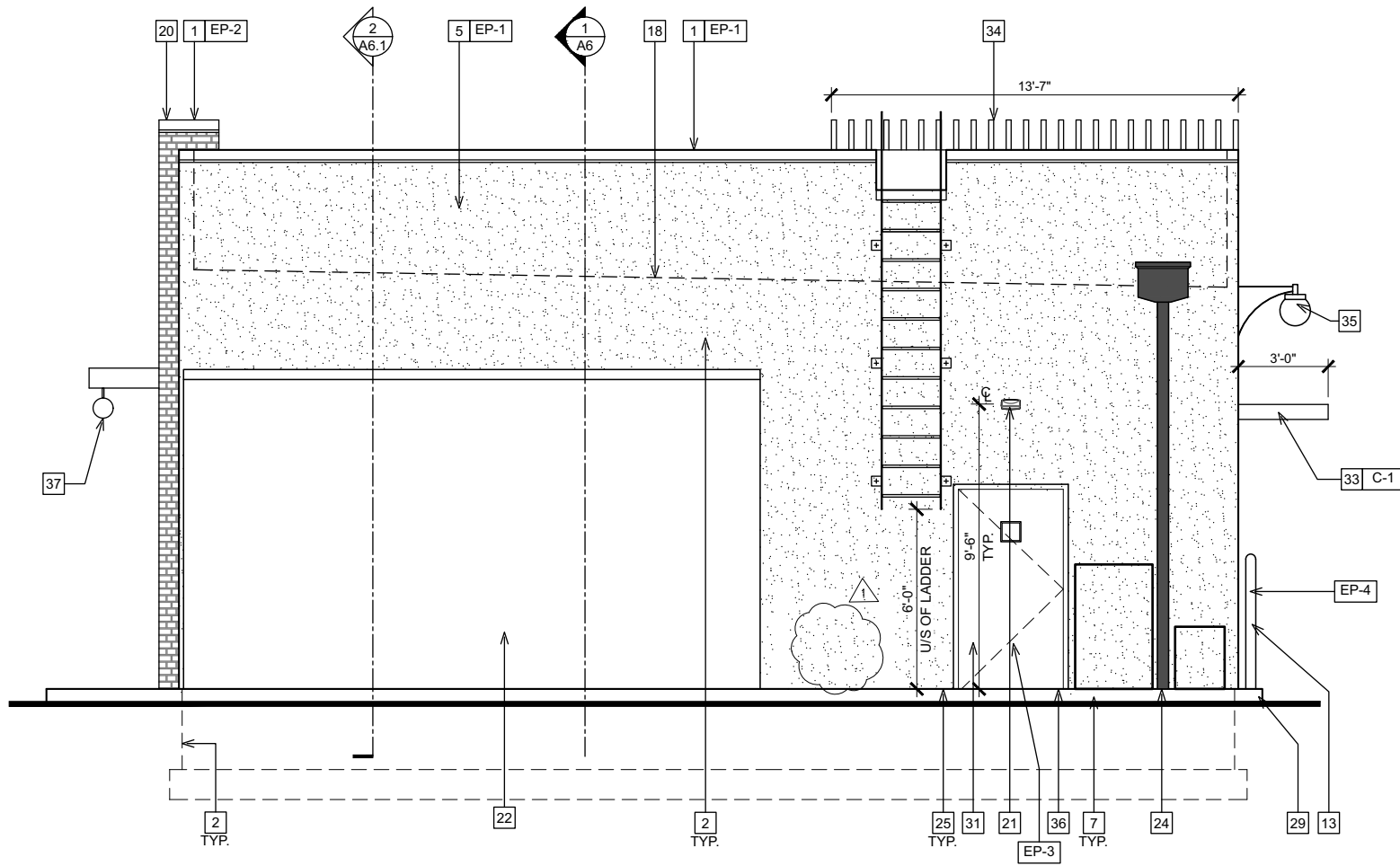
PROPOSED SIDE ELEVATION



1 PROPOSED SIDE ELEVATION
A5.1 SCALE: 1/4"=1' - 0"



PROPOSED REAR ELEVATION



2 WALL SECTION @ LADDER
A6.2 SCALE: 3/4" = 1'-0"