



**POPEYES**<sup>®</sup>



**27" INTERNALLY-ILLUMINATED CHANNEL LETTERS • 39.08 SQ FT**



**COLOR NOTES:**

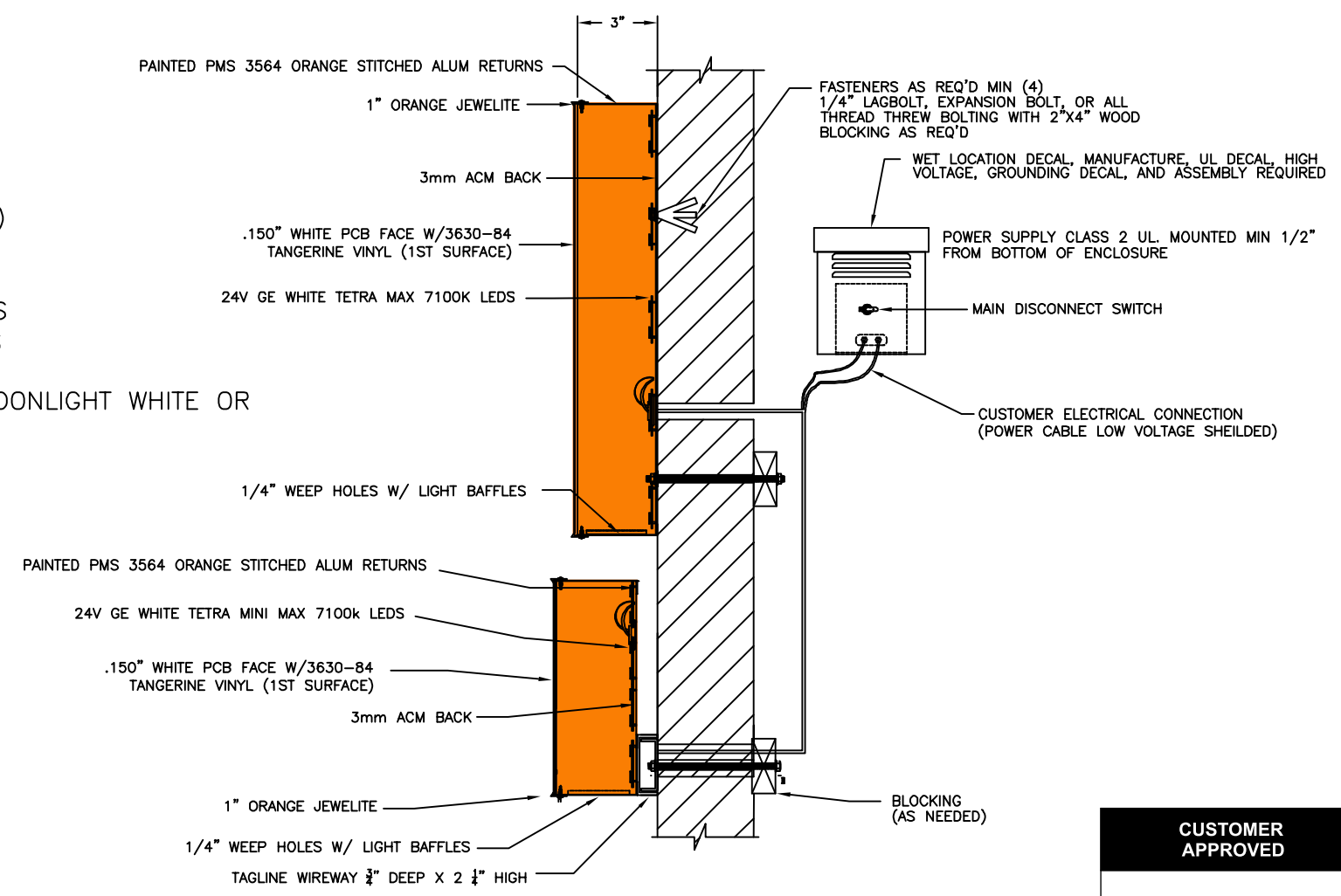
FACE: WHITE .150" PCB W/ 3M 3630-84 TANGERINE (1ST SURFACE)  
 TRIMCAP: 1" ORANGE PREPAINTED JEWELITE  
 RETURNS: 3" PAINTED PMS 3564 ORANGE STITCHED ALUM RETURNS  
 ILLUMINATION: (LETTERS) 24V GE WHITE TETRA MINI MAX 7100K LEDS  
 (TAGLINE) 24V GE WHITE TETRA MINI MAX 7100K LEDS  
 BACKS: 3mm ACM BACKS  
 TAGLINE WIREWAY: 2.25" HIGH, .090" ALUMINUM PAINTED BMOC125 MOONLIGHT WHITE OR CHARCOAL

VENDOR TO PRODUCE (2) STANDARD WIREWAY COLOR OPTIONS TO MATCH LIGHT/DARK FACIA COLOR BM0025 MOONLIGHT WHITE OR CHARCOAL

**ELECTRICAL NOTE**—ACTUAL # OF CIRCUITS TO BE DETERMINED BY A LICENSED ELECTRICAL CONTRACTOR.  
 TOTAL AMPS: 1.1

# OF CKTS: 1 @ 20 AMP (REQUIRED)  
 VOLTS: 120

**ELECTRICAL CONNECTION AS FOLLOWS:**  
 GREEN TO GREEN (GROUND), WHITE TO WHITE (NEUTRAL), BLACK TO BLACK (POWER)  
 THIS SIGN IS INTENDED TO BE INSTALLED IN ACCORDANCE WITH THE REQUIREMENTS OF ARTICLE 600 OF NEC 2017 CODE AND/OR OTHER APPLICABLE LOCAL CODES. THIS INCLUDES PROPER GROUNDING AND BONDING OF SIGN.  
 THE LOCATION OF DISCONNECT SWITCH AFTER INSTALLATION SHALL COMPLY WITH ARTICLE 600.6(A)(1) OF NEC 2017 CODE.  
 ALL SIGNAGE WILL BE (U.L.) LISTED, (U.L.) 2161 COMPLIANT AND CARRY (U.L.) LABELS.



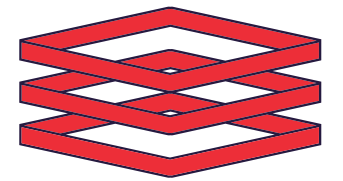
**RMT LED LETTER CROSS SECTION**  
 SCALE: NTS (REFERENCE ONLY)  
 EQUIPMENT GROUNDED

**CUSTOMER APPROVED**

DATE: \_\_\_\_\_

CUSTOMER SIGNATURE: \_\_\_\_\_

THIS DESIGN HAS BEEN REVIEWED TO CORPORATE REQUIREMENTS AND APPROVED.  
 DESIGN OWNERSHIP OF POPEY'S MANAGEMENT



**ENTERA**

Your total branding solution  
 5900 VENTURE CROSSINGS BLVD  
 PANAMA CITY, FL 32409  
 PH: 850-763-7982  
 FAX: 850-392-0673  
 www.enterabrading.com

THIS DOCUMENT CONTAINS PROPRIETARY AND CONFIDENTIAL INFORMATION OF ENTERA, LLC. AND SHALL NOT BE USED, DISCLOSED OR REPRODUCED, IN WHOLE OR IN PART, FOR ANY PURPOSE OTHER THAN TO EVALUATE THIS DOCUMENT, WITHOUT THE PRIOR WRITTEN CONSENT OF ENTERA, LLC. TITLE IN AND TO THIS DOCUMENT AND ALL INFORMATION CONTAINED HEREIN REMAINS AT ALL TIMES PROPERTY OF ENTERA, LLC.

**COLOR NOTES**

- 3M #3630-84 TANGERINE (BACKGROUND)
- PMS 3564 ORANGE

**REVISION**

1.	XXXXX
2.	XXXXX
3.	XXXXX
4.	XXXXX

**ARTIST**

DT

**CLIENT**

POPEYES RETRO

**SCALE**

1/2" = 1'-0"

**DATE**

03.08.24

**LOCATION**

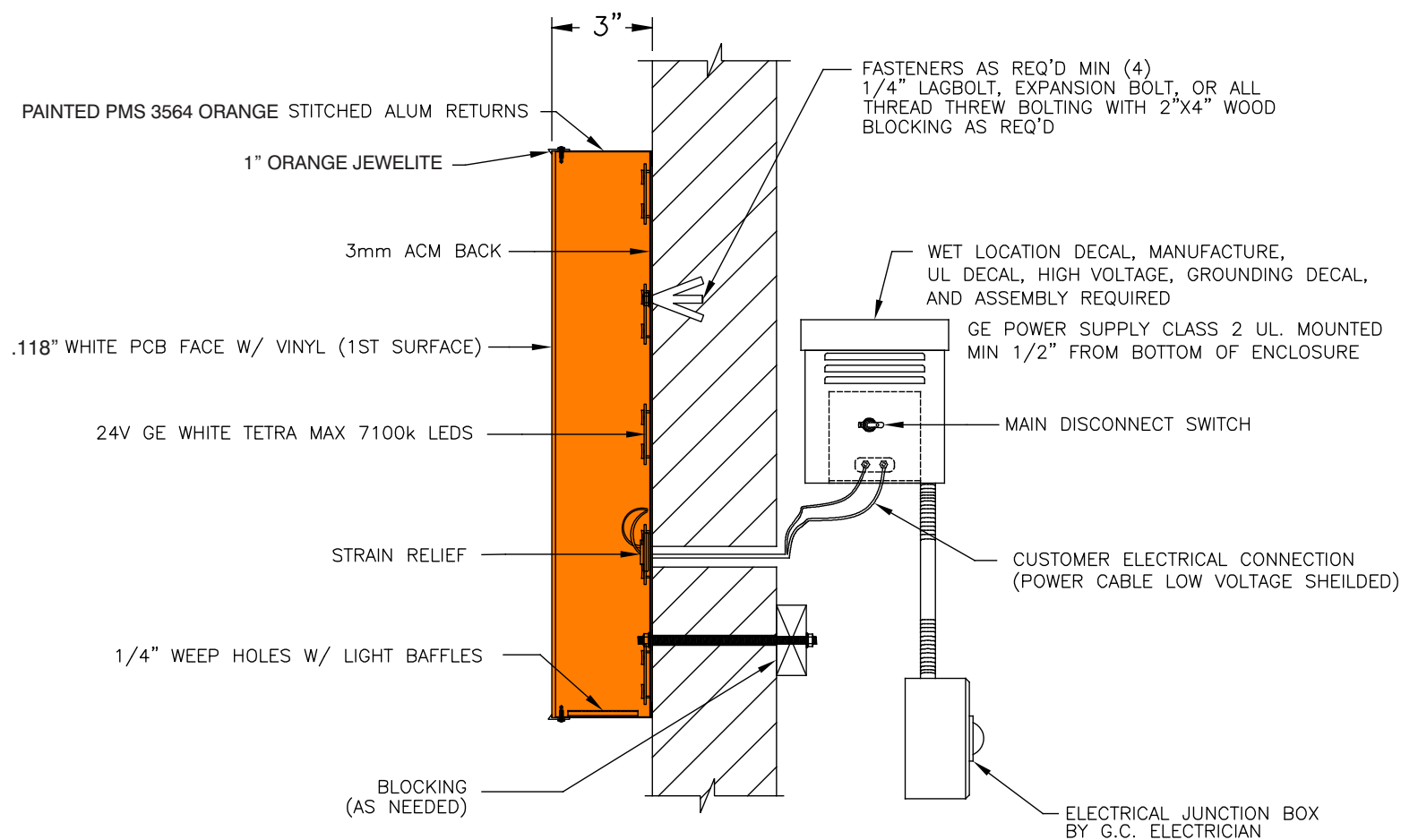
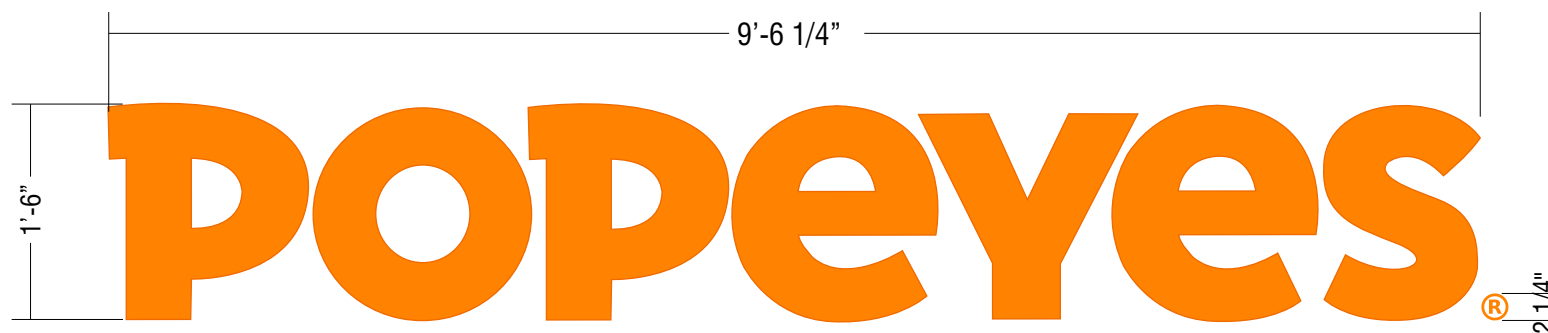
1517 NC 24-87  
 Cameron, NC 28326

H: MARKETING DESIGN / CDR / P / POPEYES RETRO / CAMERON, NC.cdr





**18" INTERNALLY ILLUMINATED REMOTE MOUNT CHANNEL LETTERS • 14.30 SQ FT**



**POWER REQUIREMENT**  
120-277 VAC / 50/60 HZ  
1.1 AMPS

RMT LED LETTER CROSS SECTION  
SCALE: NTS (REFERENCE ONLY)  
EQUIPMENT GROUNDED

**SPECIFICATIONS: LETTERS**

**FACES:** .118" #7328 WHITE PCB FACES w/3630-84 ORANGE VINYL /FIRST SURFACE

**RETURNS:** 3" ALUMINUM PAINTED PMS 3564 ORANGE

**BACKS:** 3MM ACM BACKS

**TRIP CAP:** 1" ORANGE PREPAINTED JEWELITE

**ILLUMINATION:** GE TETRAMAX 24v 7100K WHITE LEDs

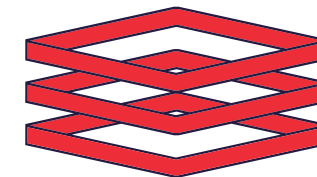
**CUSTOMER APPROVED**

DATE: \_\_\_\_\_

CUSTOMER SIGNATURE: \_\_\_\_\_

THIS DESIGN HAS BEEN REVIEWED TO CORPORATE REQUIREMENTS AND APPROVED.

DESIGN OWNERSHIP OF POPEYE'S MANAGEMENT



**ENTERA**

Your total branding solution

5900 VENTURE CROSSINGS BLVD

PANAMA CITY, FL 32409

PH: 850-763-7982

FAX: 850-392-0673

www.enterabrading.com

THIS DOCUMENT CONTAINS PROPRIETARY AND CONFIDENTIAL INFORMATION OF ENTERA, LLC. AND SHALL NOT BE USED, DISCLOSED OR REPRODUCED, IN WHOLE OR IN PART, FOR ANY PURPOSE OTHER THAN TO EVALUATE THIS DOCUMENT, WITHOUT THE PRIOR WRITTEN CONSENT OF ENTERA, LLC. TITLE IN AND TO THIS DOCUMENT AND ALL INFORMATION CONTAINED HEREIN REMAINS AT ALL TIMES PROPERTY OF ENTERA, LLC.

**COLOR NOTES**

3M #3630-84 TANGERINE (BACKGROUND)

PMS 3564 ORANGE

**REVISION**

1.	XXXXX
2.	XXXXX
3.	XXXXX
4.	XXXXX

**ARTIST**

DT

**CLIENT**

POPEYES RETRO

**SCALE**

3/4" = 1'-0"

**DATE**

03.08.24

**LOCATION**

1517 NC 24-87  
Cameron, NC 28326

H: MARKETING DESIGN / CDR / P / POPEYES RETRO / CAMERON, NC.cdr



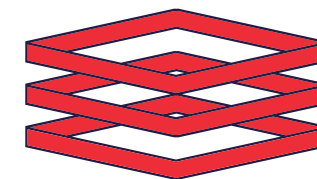
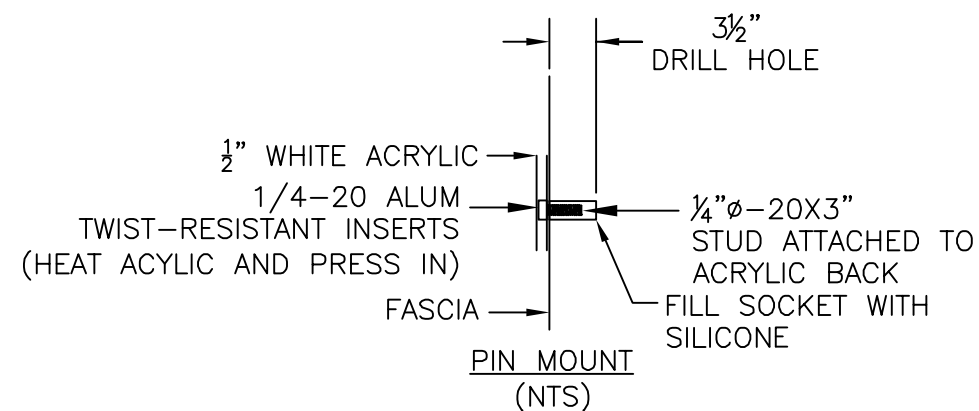
DEPARTMENT  
ART



# LOVE THAT CHICKEN ACRYLIC LETTERS • 65.41 SQFT



**SIGN:** 1/2" WHITE 7328 ACRYLIC / FLUSH MOUNTED  
 ATTACHED W/ 3" X 1/4" STUDS  
**COPY:** WHITE



## ENTERA

Your total branding solution

5900 VENTURE CROSSINGS BLVD

PANAMA CITY, FL 32409

PH: 850-763-7982

FAX: 850-392-0673

www.enterabrading.com

THIS DOCUMENT CONTAINS PROPRIETARY AND CONFIDENTIAL INFORMATION OF ENTERA, LLC. AND SHALL NOT BE USED, DISCLOSED OR REPRODUCED, IN WHOLE OR IN PART, FOR ANY PURPOSE OTHER THAN TO EVALUATE THIS DOCUMENT, WITHOUT THE PRIOR WRITTEN CONSENT OF ENTERA, LLC. TITLE IN AND TO THIS DOCUMENT AND ALL INFORMATION CONTAINED HEREIN REMAINS AT ALL TIMES PROPERTY OF ENTERA, LLC.

### COLOR NOTES

### REVISION

1.	XXXXX
2.	XXXXX
3.	XXXXX
4.	XXXXX

### ARTIST

DT

### CLIENT

POPEYES RETRO

### SCALE

3/4" = 1'-0"

### DATE

03.08.24

### LOCATION

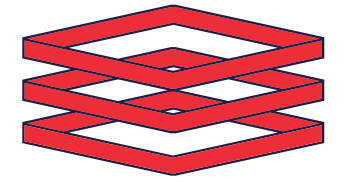
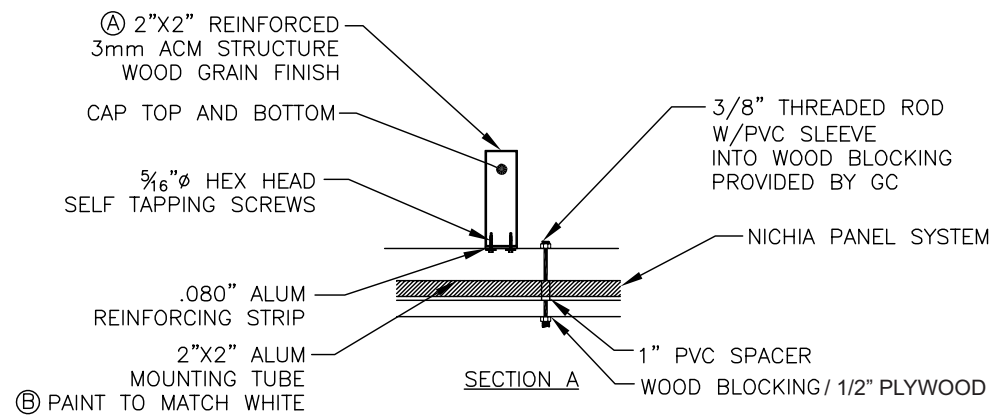
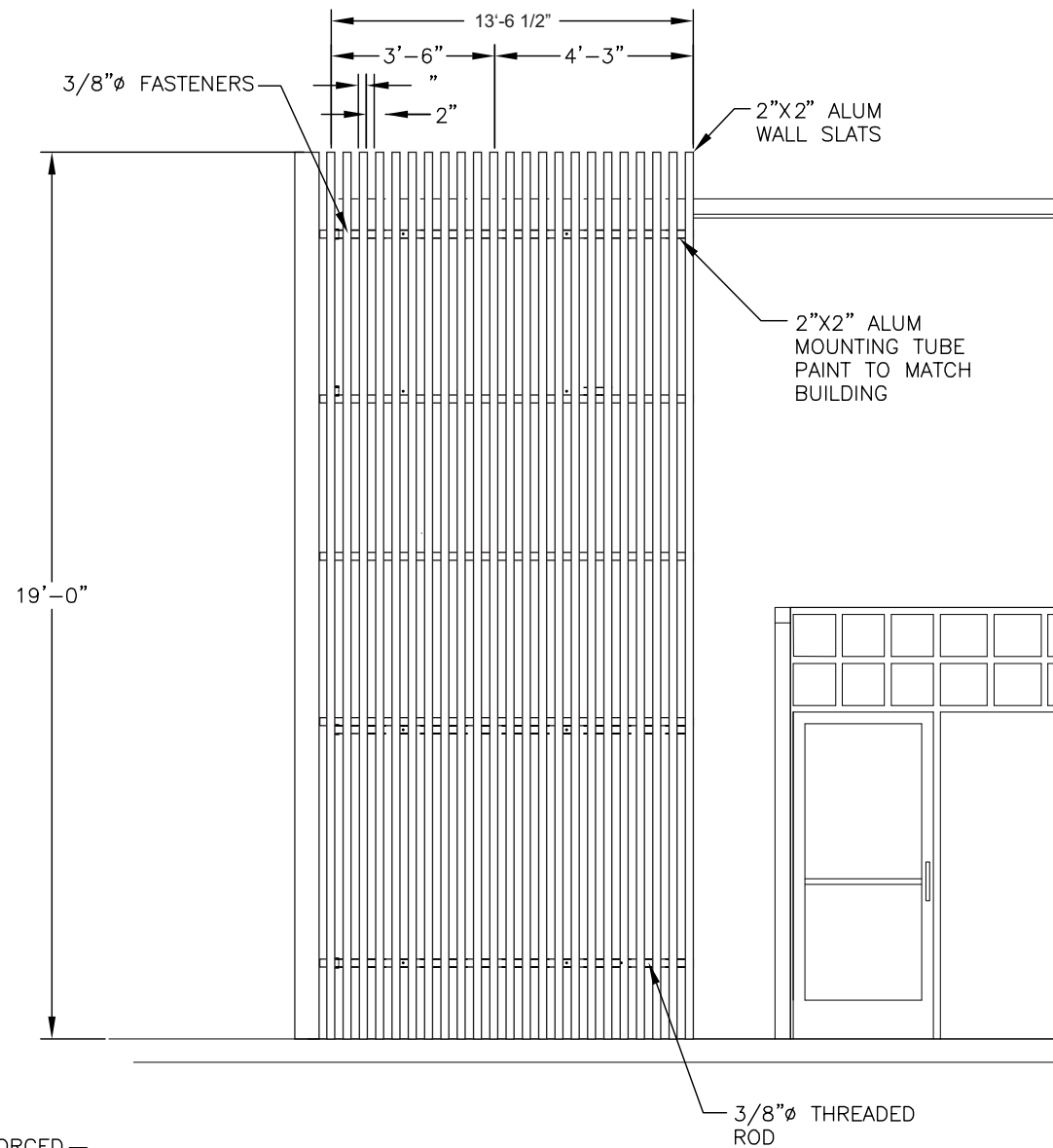
1517 NC 24-87  
Cameron, NC 28326

H: MARKETING DESIGN / CDR / P / POPEYES RETRO / CAMERON, NC.cdr



DEPARTMENT  
ART

# WALL SLAT



## ENTERA

Your total branding solution

5900 VENTURE CROSSINGS BLVD

PANAMA CITY, FL 32409

PH: 850-763-7982

FAX: 850-392-0673

www.enterabrading.com

THIS DOCUMENT CONTAINS PROPRIETARY AND CONFIDENTIAL INFORMATION OF ENTERA, LLC. AND SHALL NOT BE USED, DISCLOSED OR REPRODUCED, IN WHOLE OR IN PART, FOR ANY PURPOSE OTHER THAN TO EVALUATE THIS DOCUMENT, WITHOUT THE PRIOR WRITTEN CONSENT OF ENTERA, LLC. TITLE IN AND TO THIS DOCUMENT AND ALL INFORMATION CONTAINED HEREIN REMAINS AT ALL TIMES PROPERTY OF ENTERA, LLC.

### COLOR NOTES

PAINT TO MATCH PMS BM  
OC125 MOONLIGHT WHITE  
3M DIGITALLY PRINTED WOOD  
GRAIN VINYL

### REVISION

1.	XXXXX
2.	XXXXX
3.	XXXXX
4.	XXXXX

### ARTIST

DT

### CLIENT

POPEYES RETRO

### SCALE

1/4" = 1'-0"

### DATE

03.08.24

### LOCATION

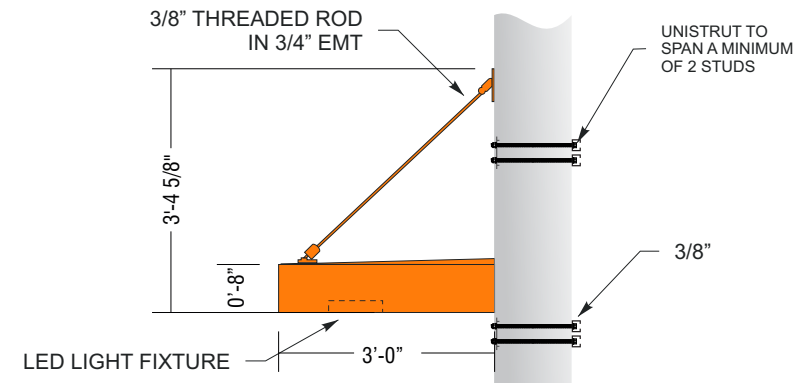
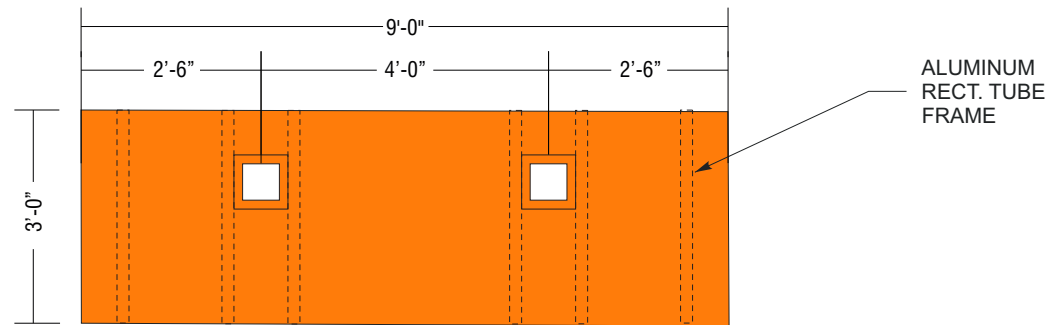
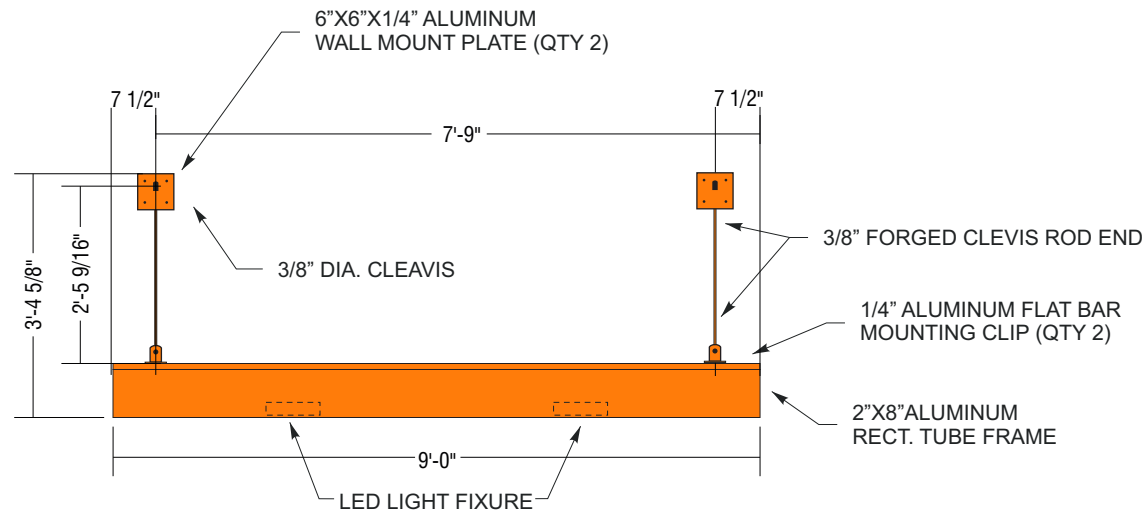
1517 NC 24-87  
Cameron, NC 28326

H: MARKETING DESIGN / CDR / P / POPEYES RETRO / CAMERON, NC.cdr



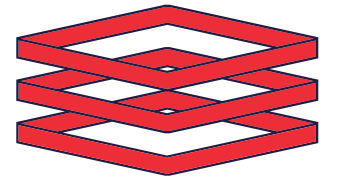
DEPARTMENT  
ART

# DRIVE-UP WINDOW CANOPY • 9' x 3'



## SPECIFICATIONS:

1. 2" x 8" ALUMINUM RECT. TUBE CANOPY FRAME WITH .090" BRAKE FORMED STIFFENERS
2. ACM TOP AND OPEN BOTTOMS
3. PAINT CANOPY PMS 3564 ORANGE
4. SUPPORT RODS TO MATCH CANOPY (PAINT PMS 3564 ORANGE)



## ENTERA

Your total branding solution

5900 VENTURE CROSSINGS BLVD

PANAMA CITY, FL 32409

PH: 850-763-7982

FAX: 850-392-0673

www.enterabrading.com

THIS DOCUMENT CONTAINS PROPRIETARY AND CONFIDENTIAL INFORMATION OF ENTERA, L.L.C. AND SHALL NOT BE USED, DISCLOSED OR REPRODUCED, IN WHOLE OR IN PART, FOR ANY PURPOSE OTHER THAN TO EVALUATE THIS DOCUMENT, WITHOUT THE PRIOR WRITTEN CONSENT OF ENTERA, L.L.C. TITLE IN AND TO THIS DOCUMENT AND ALL INFORMATION CONTAINED HEREIN REMAINS AT ALL TIMES PROPERTY OF ENTERA, L.L.C.

### COLOR NOTES



### REVISION

1.	XXXXX
2.	XXXXX
3.	XXXXX
4.	XXXXX

### ARTIST

DT

### CLIENT

POPEYES RETRO

### SCALE

3/8" = 1'-0"

### DATE

03.08.24

### LOCATION

1517 NC 24-87  
Cameron, NC 28326

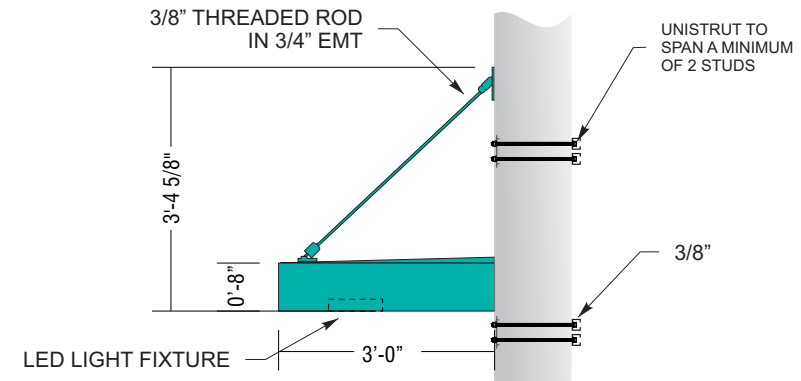
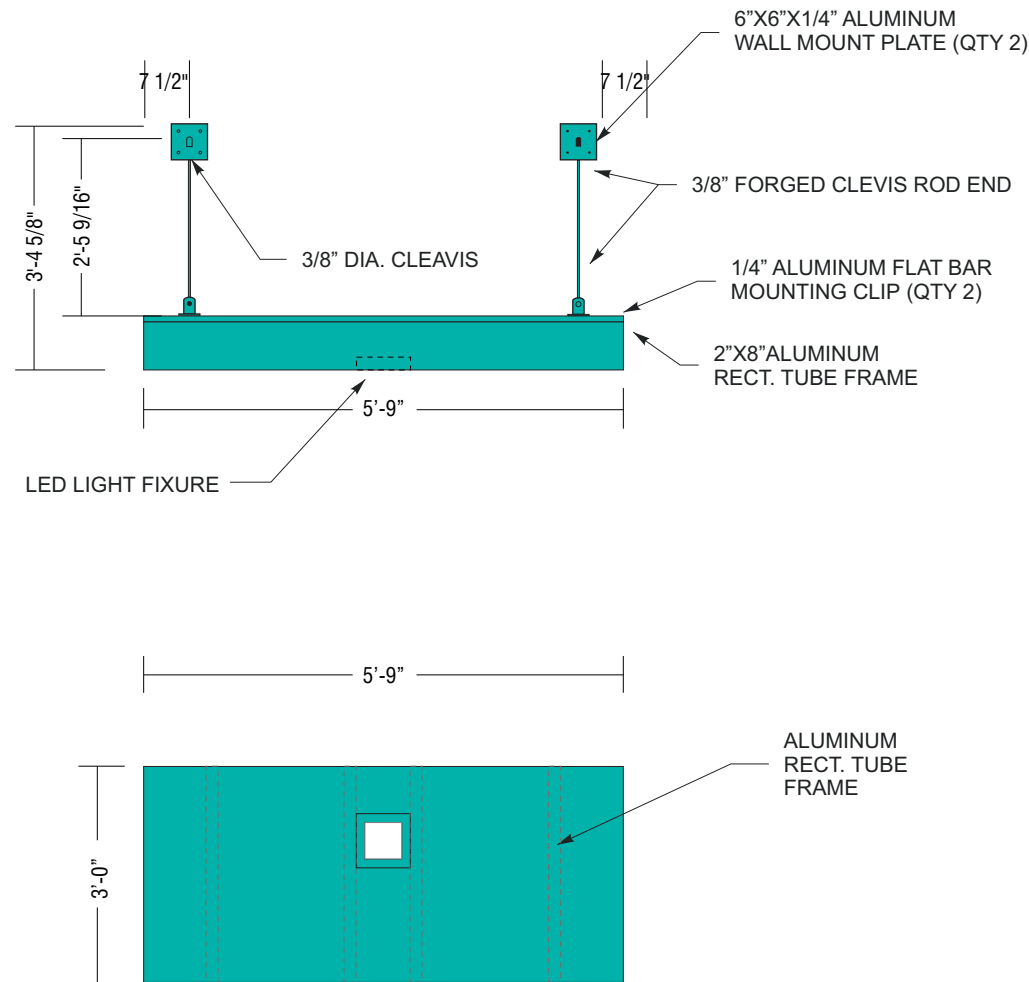
H: MARKETING DESIGN / CDR / P / POPEYES RETRO / CAMERON, NC.cdr



DEPARTMENT  
ART

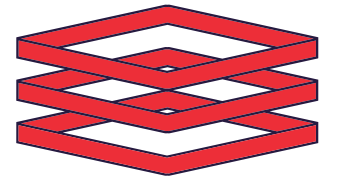


# 5'-9" OPEN CANOPY



## SPECIFICATIONS:

1. 2" x 8" ALUMINUM RECT. TUBE CANOPY FRAME WITH .090" BRAKE FORMED STIFFENERS
2. ACM TOP AND OPEN BOTTOMS
3. PAINT CANOPY TO MATCH PMS 326 TEAL
4. SUPPORT RODS TO MATCH CANOPY ( TEAL )



# ENTERA

Your total branding solution

5900 VENTURE CROSSINGS BLVD

PANAMA CITY, FL 32409

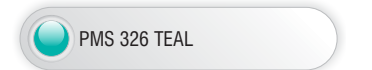
PH: 850-763-7982

FAX: 850-392-0673

www.enterabrading.com

THIS DOCUMENT CONTAINS PROPRIETARY AND CONFIDENTIAL INFORMATION OF ENTERA, L.L.C. AND SHALL NOT BE USED, DISCLOSED OR REPRODUCED, IN WHOLE OR IN PART, FOR ANY PURPOSE OTHER THAN TO EVALUATE THIS DOCUMENT, WITHOUT THE PRIOR WRITTEN CONSENT OF ENTERA, L.L.C. TITLE IN AND TO THIS DOCUMENT AND ALL INFORMATION CONTAINED HEREIN REMAINS AT ALL TIMES PROPERTY OF ENTERA, L.L.C.

## COLOR NOTES



## REVISION

1.	XXXXX
2.	XXXXX
3.	XXXXX
4.	XXXXX

## ARTIST

DT

## CLIENT

POPEYES RETRO

## SCALE

3/8" = 1'-0"

## DATE

03.08.24

## LOCATION

1517 NC 24-87  
Cameron, NC 28326

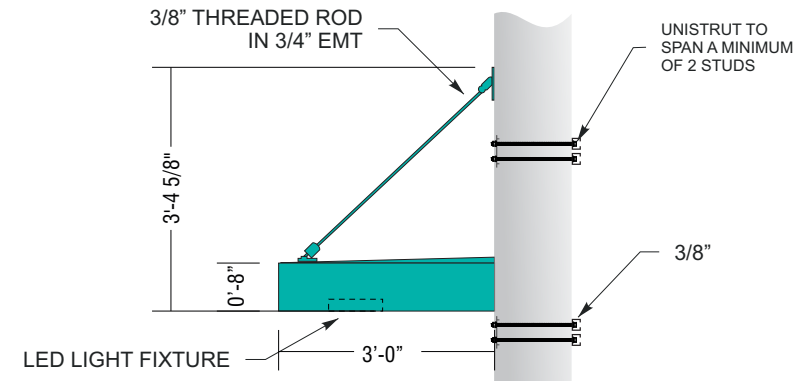
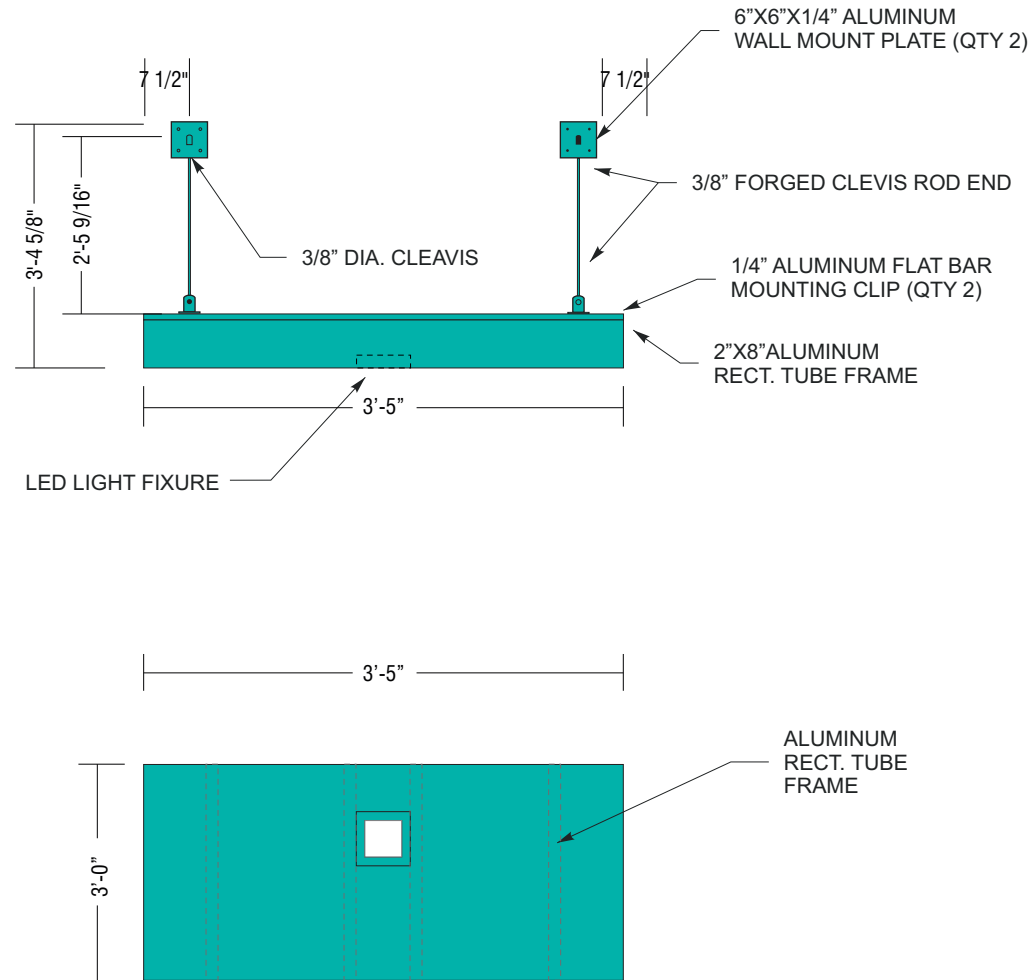
H: MARKETING DESIGN / CDR / P / POPEYES RETRO / CAMERON, NC.cdr



DEPARTMENT:  
ART

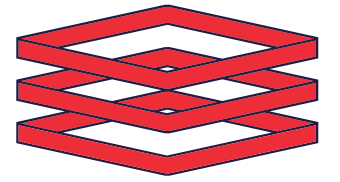


# 3'-5" OPEN CANOPY



## SPECIFICATIONS:

1. 2" x 8" ALUMINUM RECT. TUBE CANOPY FRAME WITH .090" BRAKE FORMED STIFFENERS
2. ACM TOP AND OPEN BOTTOMS
3. PAINT CANOPY TO MATCH PMS 326 TEAL
4. SUPPORT RODS TO MATCH CANOPY ( TEAL )



# ENTERA

Your total branding solution

5900 VENTURE CROSSINGS BLVD

PANAMA CITY, FL 32409

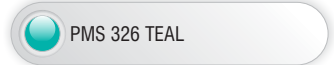
PH: 850-763-7982

FAX: 850-392-0673

www.enterabrading.com

THIS DOCUMENT CONTAINS PROPRIETARY AND CONFIDENTIAL INFORMATION OF ENTERA, L.L.C. AND SHALL NOT BE USED, DISCLOSED OR REPRODUCED, IN WHOLE OR IN PART, FOR ANY PURPOSE OTHER THAN TO EVALUATE THIS DOCUMENT, WITHOUT THE PRIOR WRITTEN CONSENT OF ENTERA, L.L.C. TITLE IN AND TO THIS DOCUMENT AND ALL INFORMATION CONTAINED HEREIN REMAINS AT ALL TIMES PROPERTY OF ENTERA, L.L.C.

### COLOR NOTES

 PMS 326 TEAL

### REVISION

1.	XXXXX
2.	XXXXX
3.	XXXXX
4.	XXXXX

### ARTIST

DT

### CLIENT

POPEYES RETRO

### SCALE

3/8" = 1'-0"

### DATE

03.08.24

### LOCATION

1517 NC 24-87  
Cameron, NC 28326

H: MARKETING DESIGN / CDR / P / POPEYES RETRO / CAMERON, NC.cdr

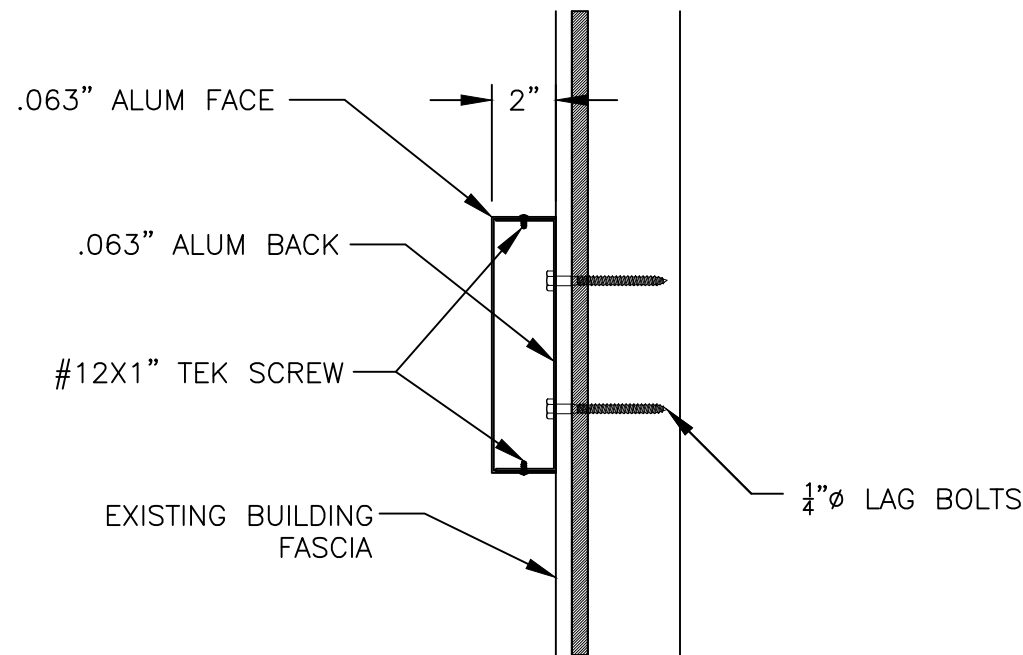
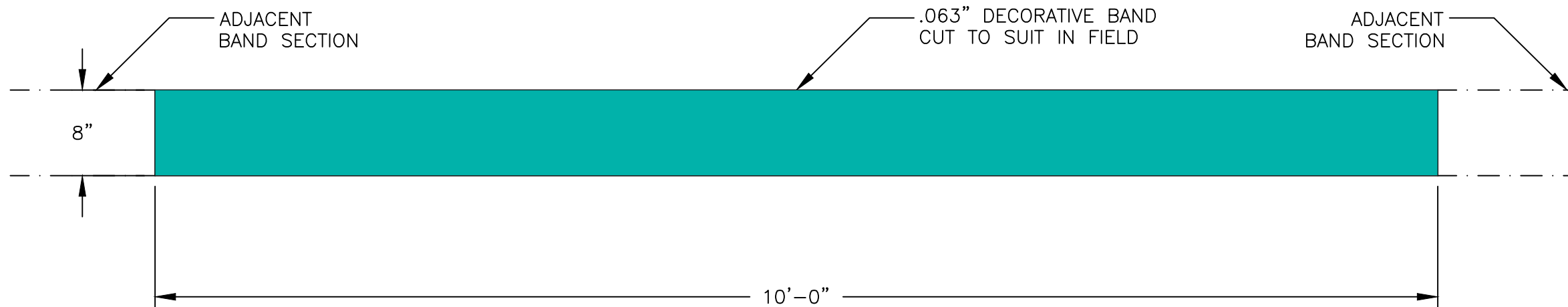
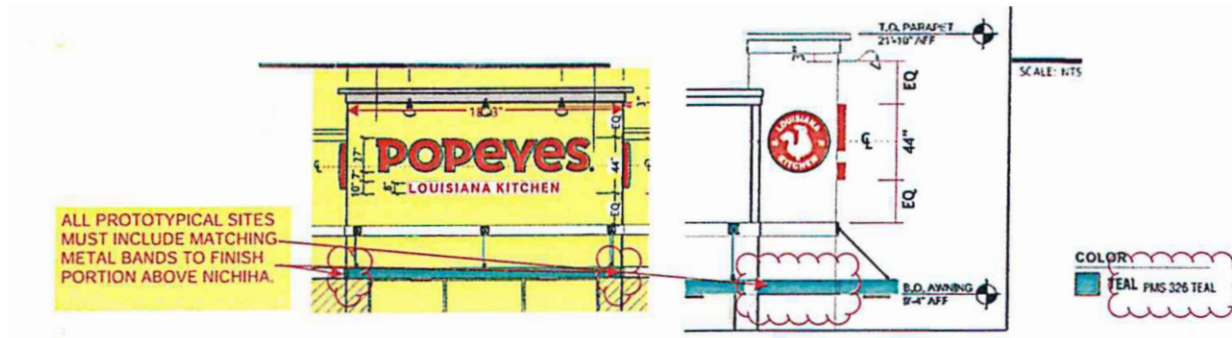


DEPARTMENT:  
ART



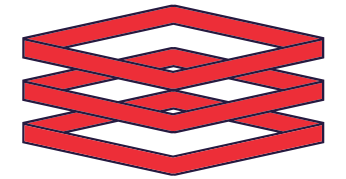


# NON-LIT MATCHING PORTAL BAND



BAND SECTION DETAIL

**SPECIFICATIONS:**  
 SUPPLIED IN 10' SECTIONS - CUT TO LENGTH ON SITE  
 COLOR TO MATCH ADJACENT CANOPY  
 TEAL: PMS 326  
 QTY: 3



**ENTERA**

Your total branding solution

5900 VENTURE CROSSINGS BLVD  
 PANAMA CITY, FL 32409

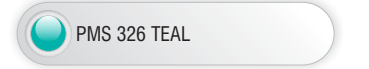
PH: 850-763-7982

FAX: 850-392-0673

www.enterabrading.com

THIS DOCUMENT CONTAINS PROPRIETARY AND CONFIDENTIAL INFORMATION OF ENTERA, LLC. AND SHALL NOT BE USED, DISCLOSED OR REPRODUCED, IN WHOLE OR IN PART, FOR ANY PURPOSE OTHER THAN TO EVALUATE THIS DOCUMENT, WITHOUT THE PRIOR WRITTEN CONSENT OF ENTERA, LLC. TITLE IN AND TO THIS DOCUMENT AND ALL INFORMATION CONTAINED HEREIN REMAINS AT ALL TIMES PROPERTY OF ENTERA, LLC.

**COLOR NOTES**



**REVISION**

1.	XXXXX
2.	XXXXX
3.	XXXXX
4.	XXXXX

**ARTIST**

DT

**CLIENT**

POPEYES RETRO

**SCALE**

3/8" = 1'-0"

**DATE**

03.08.24

**LOCATION**

1517 NC 24-87  
 Cameron, NC 28326

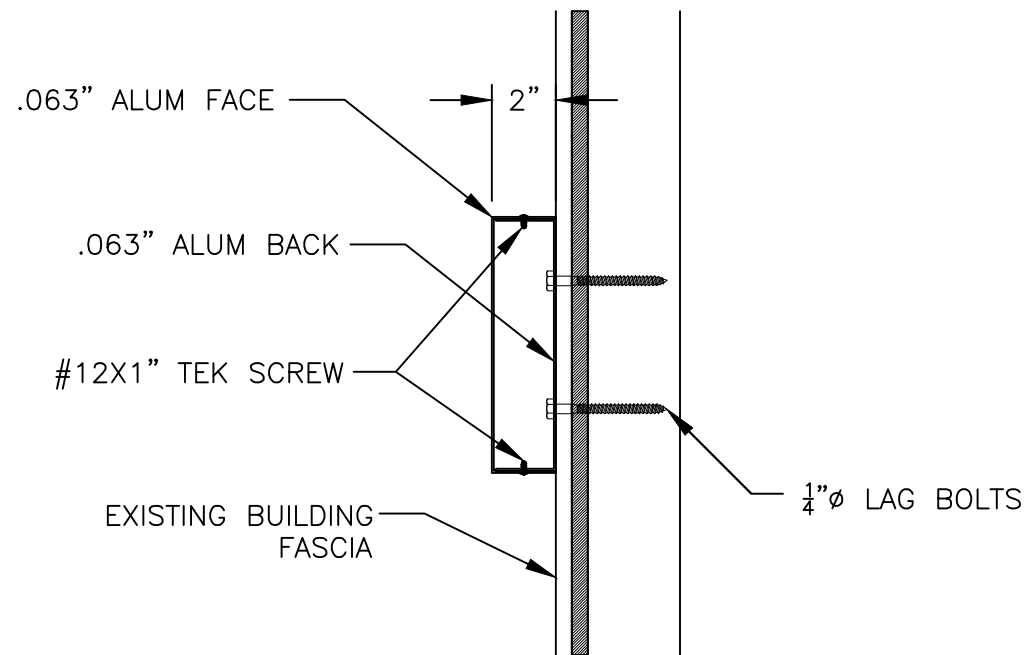
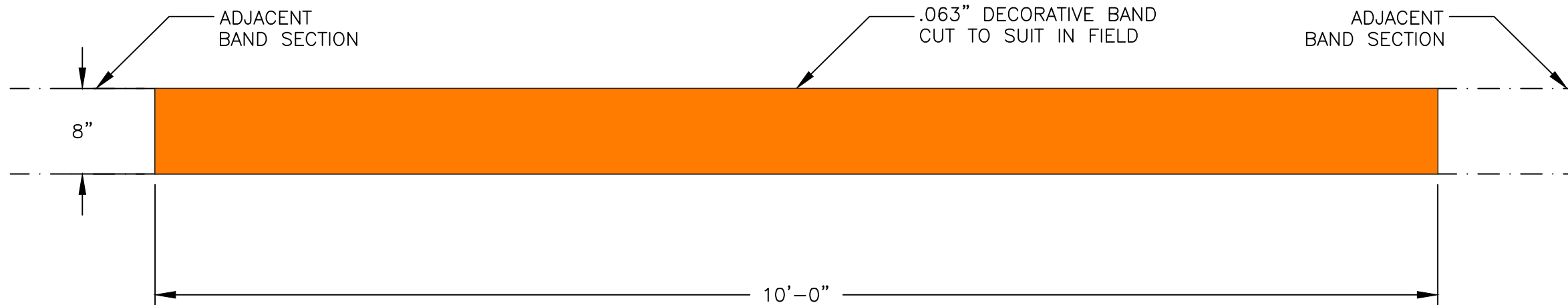
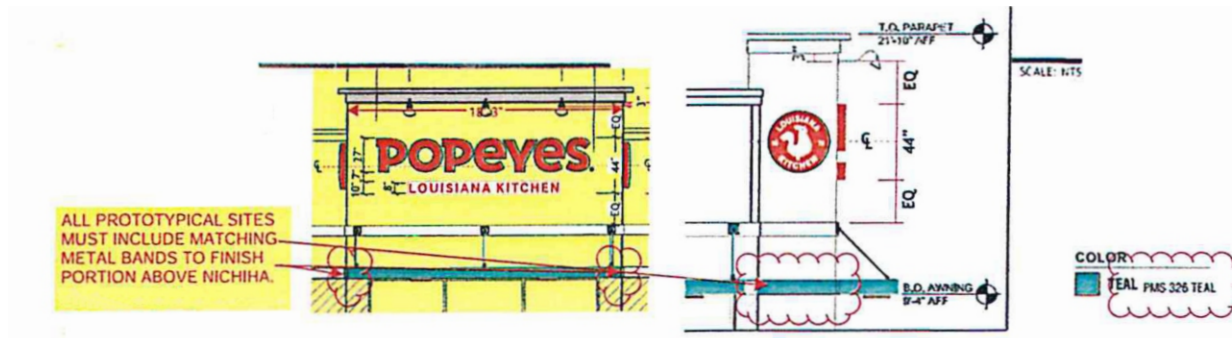
H: MARKETING DESIGN / CDR / P / POPEYES RETRO / CAMERON, NC.cdr



DEPARTMENT:  
 ART

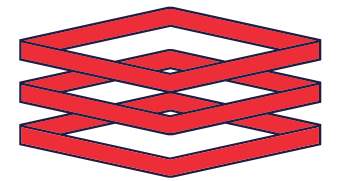


# NON-LIT MATCHING PORTAL BAND



BAND SECTION DETAIL

**SPECIFICATIONS:**  
 SUPPLIED IN 10' SECTIONS - CUT TO LENGTH ON SITE  
 COLOR TO MATCH ADJACENT CANOPY  
 ORANGE: PMS 3564  
 QTY: 3



## ENTERA

Your total branding solution

5900 VENTURE CROSSINGS BLVD  
 PANAMA CITY, FL 32409

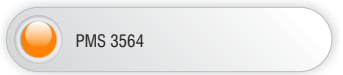
PH: 850-763-7982

FAX: 850-392-0673

www.enterabrading.com

THIS DOCUMENT CONTAINS PROPRIETARY AND CONFIDENTIAL INFORMATION OF ENTERA, LLC. AND SHALL NOT BE USED, DISCLOSED OR REPRODUCED, IN WHOLE OR IN PART, FOR ANY PURPOSE OTHER THAN TO EVALUATE THIS DOCUMENT, WITHOUT THE PRIOR WRITTEN CONSENT OF ENTERA, LLC. TITLE IN AND TO THIS DOCUMENT AND ALL INFORMATION CONTAINED HEREIN REMAINS AT ALL TIMES PROPERTY OF ENTERA, LLC.

### COLOR NOTES



### REVISION

1.	XXXXX
2.	XXXXX
3.	XXXXX
4.	XXXXX

### ARTIST

DT

### CLIENT

POPEYES RETRO

### SCALE

3/8" = 1'-0"

### DATE

03.08.24

### LOCATION

1517 NC 24-87  
 Cameron, NC 28326

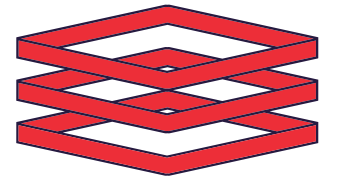
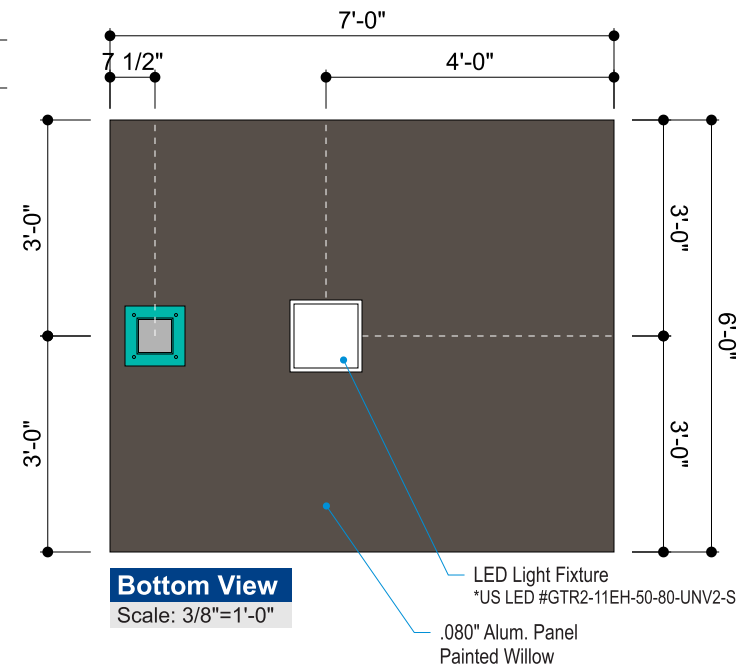
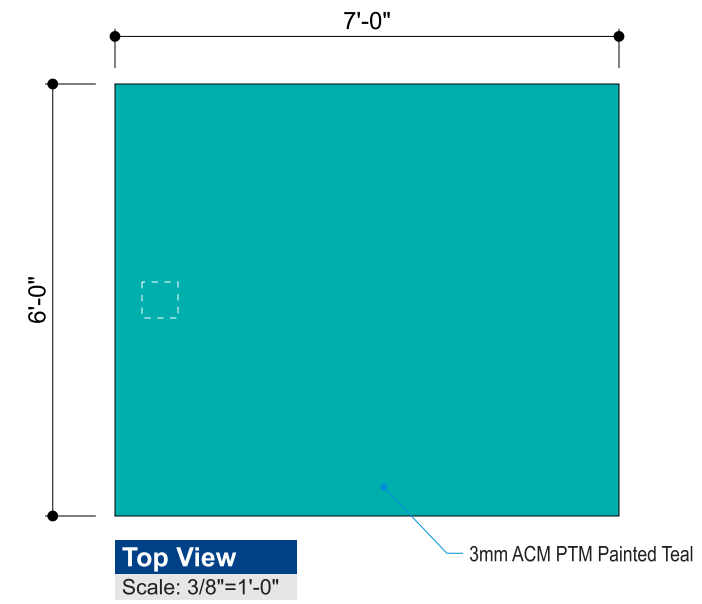
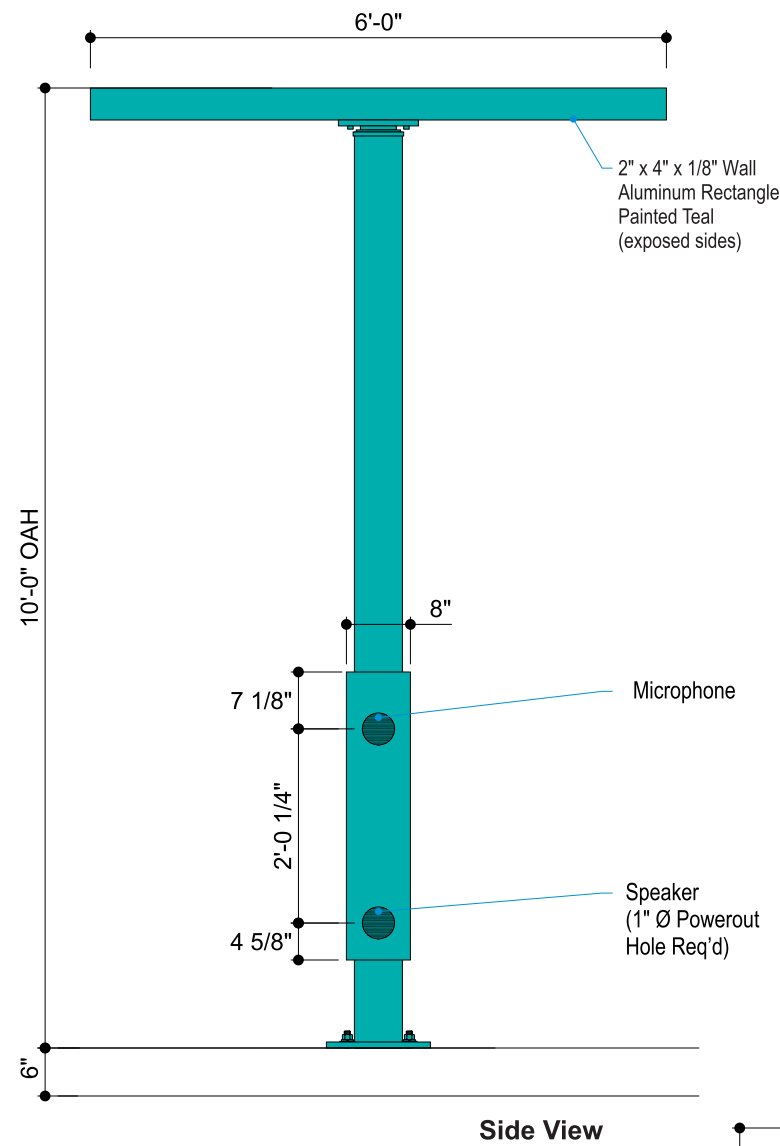
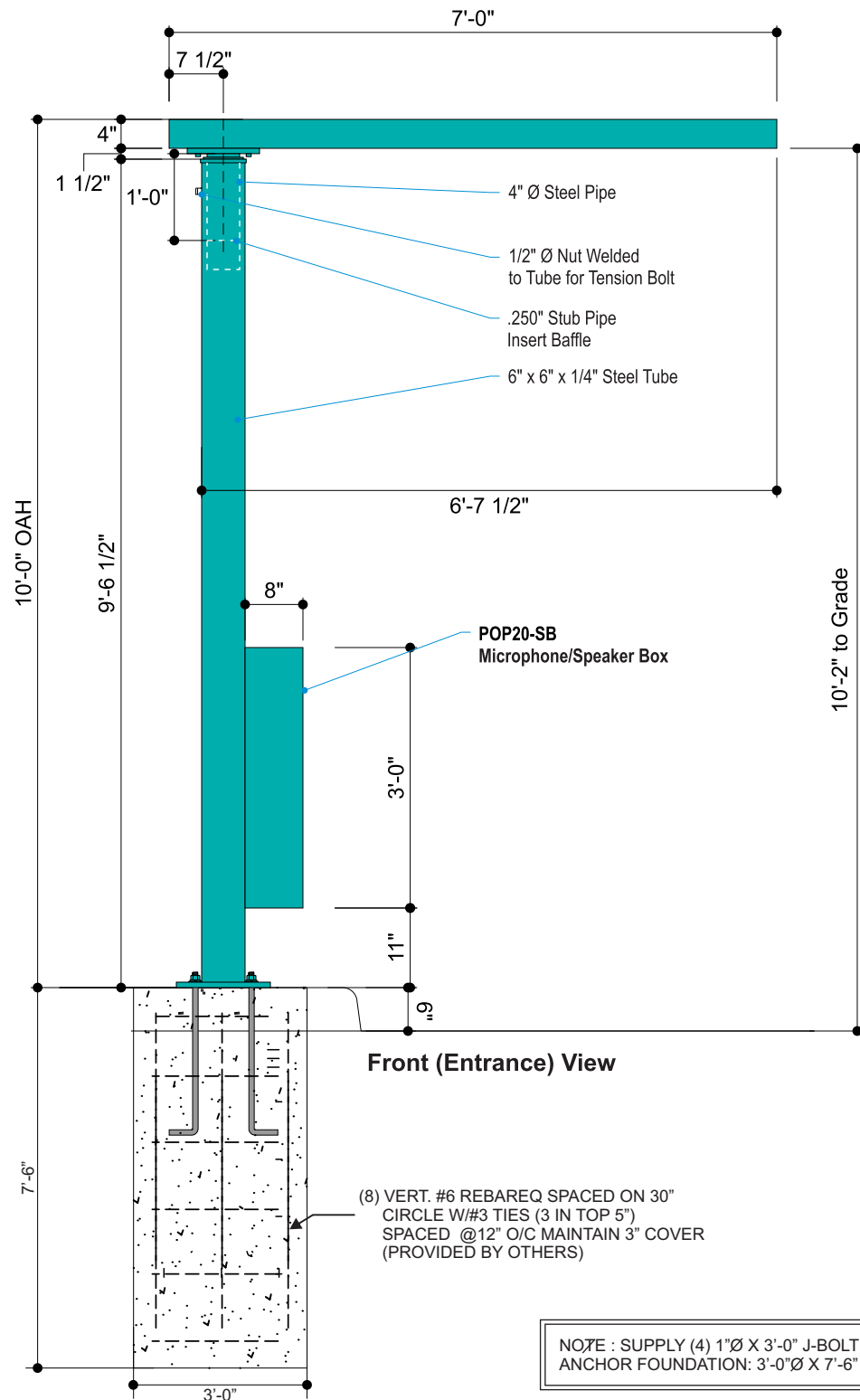
H: MARKETING DESIGN / CDR / P / POPEYES RETRO / CAMERON, NC.cdr



DEPARTMENT:  
 ART



# DRIVE THRU CANOPY



**ENTERA**

Your total branding solution

5900 VENTURE CROSSINGS BLVD

PANAMA CITY, FL 32409

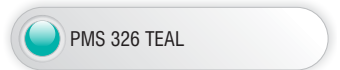
PH: 850-763-7982

FAX: 850-392-0673

www.enterabrading.com

THIS DOCUMENT CONTAINS PROPRIETARY AND CONFIDENTIAL INFORMATION OF ENTERA, LLC. AND SHALL NOT BE USED, DISCLOSED OR REPRODUCED, IN WHOLE OR IN PART, FOR ANY PURPOSE OTHER THAN TO EVALUATE THIS DOCUMENT, WITHOUT THE PRIOR WRITTEN CONSENT OF ENTERA, LLC. TITLE IN AND TO THIS DOCUMENT AND ALL INFORMATION CONTAINED HEREIN REMAINS AT ALL TIMES PROPERTY OF ENTERA, LLC.

### COLOR NOTES



### REVISION

1.	XXXXX
2.	XXXXX
3.	XXXXX
4.	XXXXX

### ARTIST

DT

### CLIENT

POPEYES RETRO

### SCALE

1/2" = 1'-0"

### DATE

03.08.24

### LOCATION

1517 NC 24-87  
Cameron, NC 28326

H: MARKETING DESIGN / CDR / P / POPEYES RETRO / CAMERON, NC.cdr



DEPARTMENT  
ART

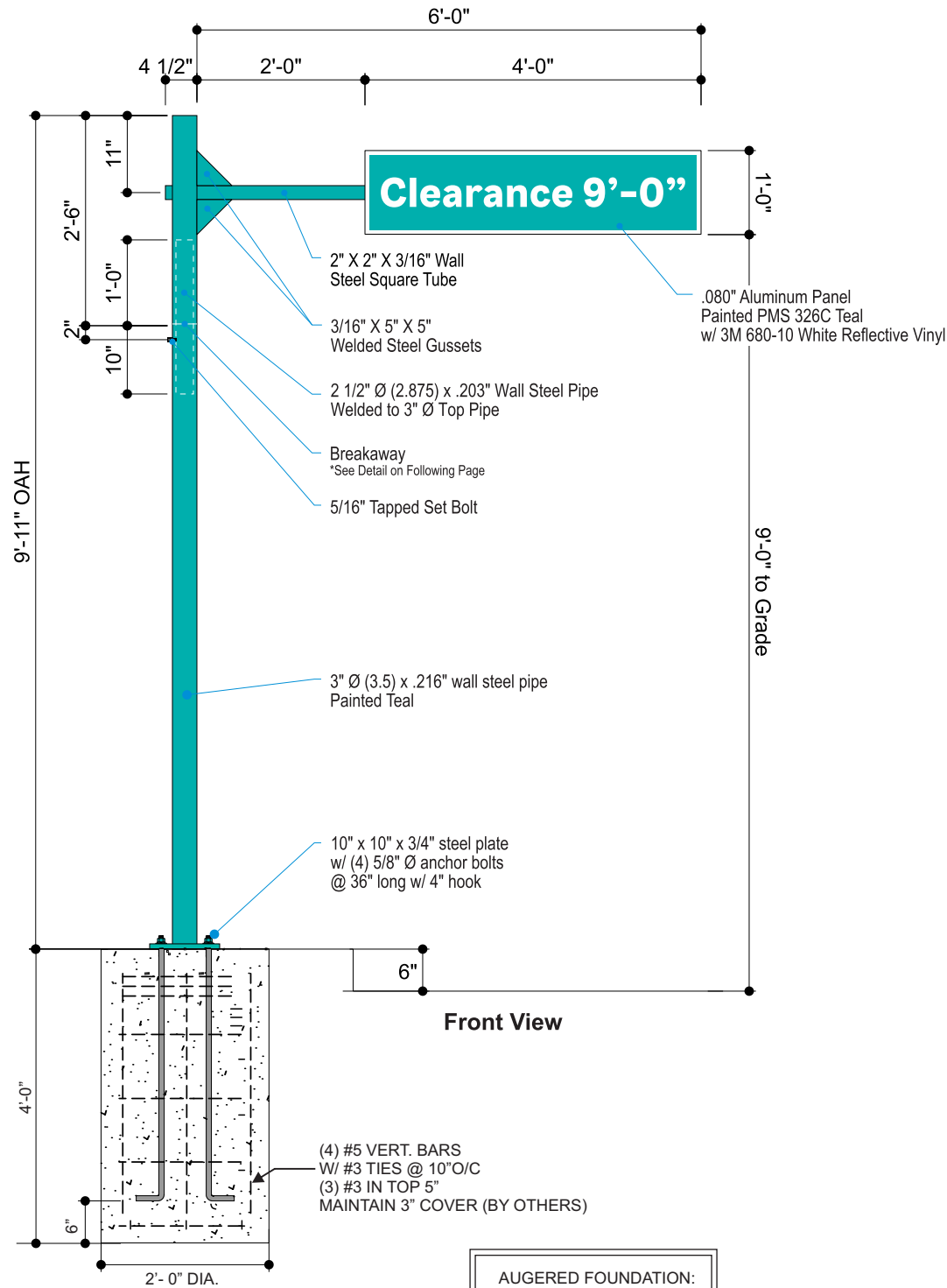
### SPECIFICATIONS:

**CANOPY:** FABRICATED ALUMINUM & ACM STRUCTURE W/ STEEL TUBE SUPPORT.

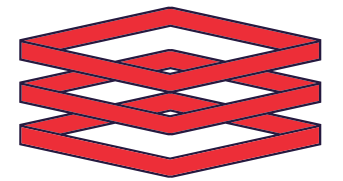
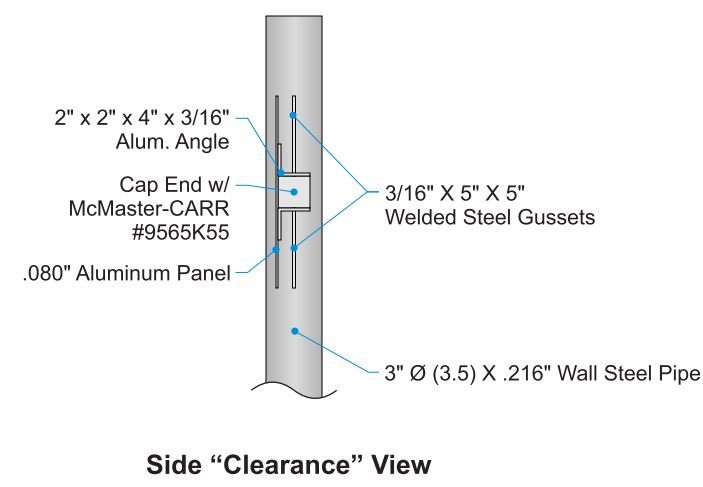
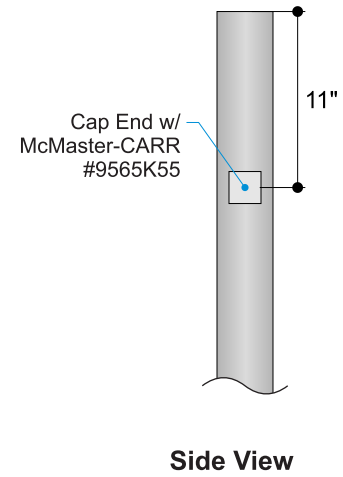
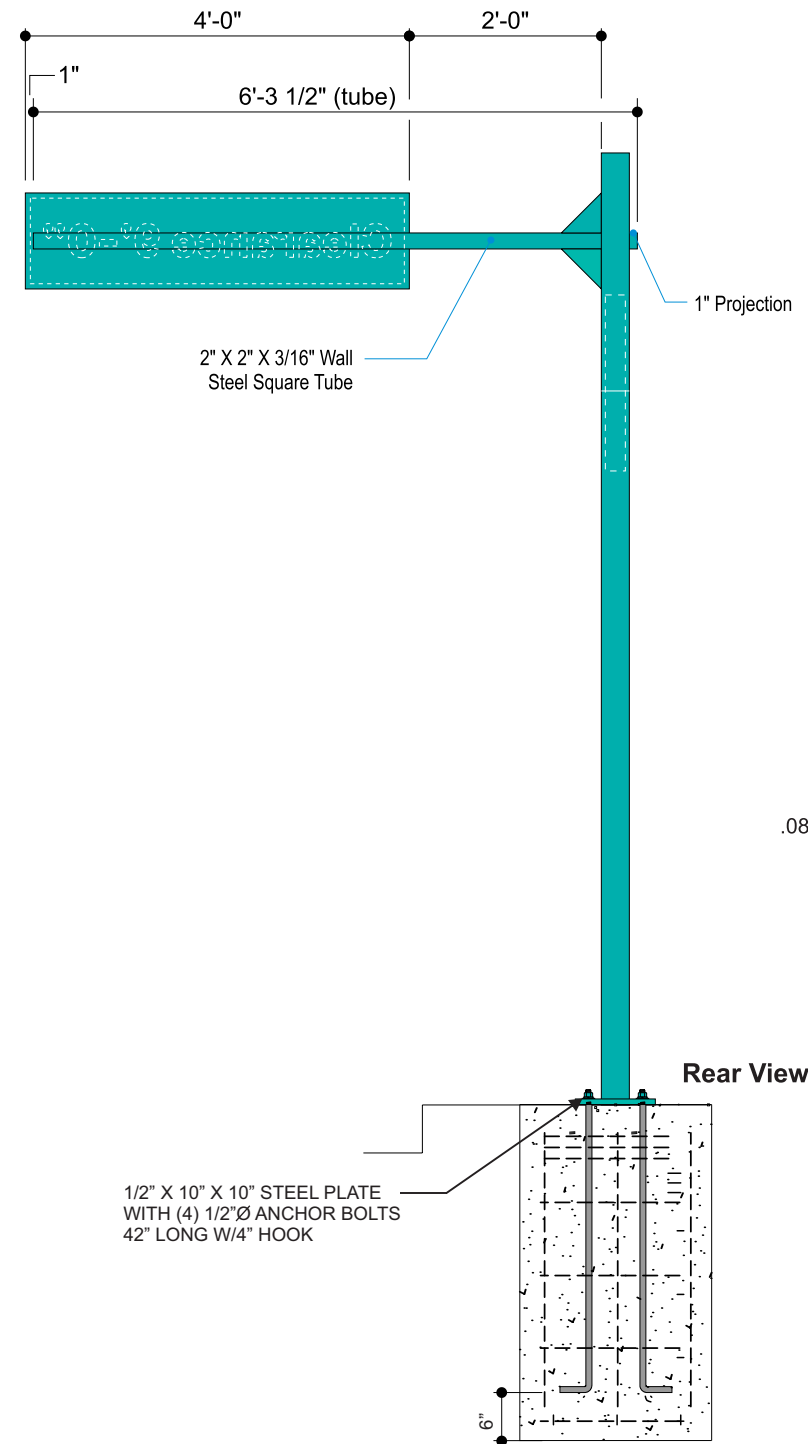
**ELECTRICAL:** ACTUAL NUMBER OF CIRCUITS TO BE DETERMINED BY LICENSED ELECTRICAL CONTRACTOR

(1) 20 AMP CIRCUIT, 120 VOLTS - ALL WIRING SHALL BE 12 GA

# 9' SINGLE CLEARANCE BAR



AUGERED FOUNDATION:  
2'-0" Ø X 4'-0" DP  
TOTAL= .47 CU.YDS.



**ENTERA**

Your total branding solution

5900 VENTURE CROSSINGS BLVD  
PANAMA CITY, FL 32409

PH: 850-763-7982

FAX: 850-392-0673

www.enterabranding.com

THIS DOCUMENT CONTAINS PROPRIETARY AND CONFIDENTIAL INFORMATION OF ENTERA, L.L.C. AND SHALL NOT BE USED, DISCLOSED OR REPRODUCED, IN WHOLE OR IN PART, FOR ANY PURPOSE OTHER THAN TO EVALUATE THIS DOCUMENT, WITHOUT THE PRIOR WRITTEN CONSENT OF ENTERA, L.L.C. TITLE IN AND TO THIS DOCUMENT AND ALL INFORMATION CONTAINED HEREIN REMAINS AT ALL TIMES PROPERTY OF ENTERA, L.L.C.

**COLOR NOTES**

- PMS 326 TEAL
- 3M #680-10 WHITE REFLECTIVE

**REVISION**

1.	XXXXX
2.	XXXXX
3.	XXXXX
4.	XXXXX

**ARTIST**

DT

**CLIENT**

POPEYES RETRO

**SCALE**

1/2" = 1'-0"

**DATE**

03.08.24

**LOCATION**

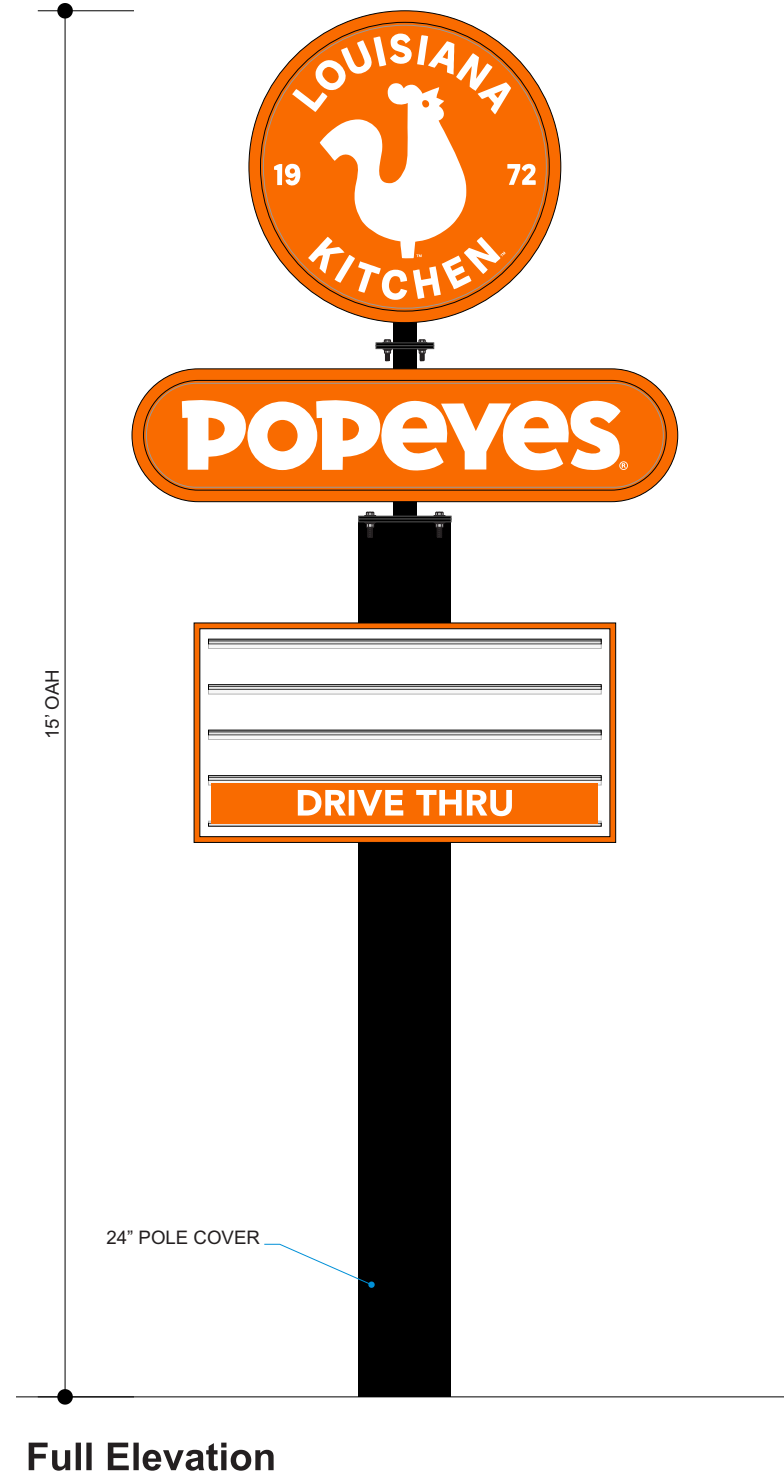
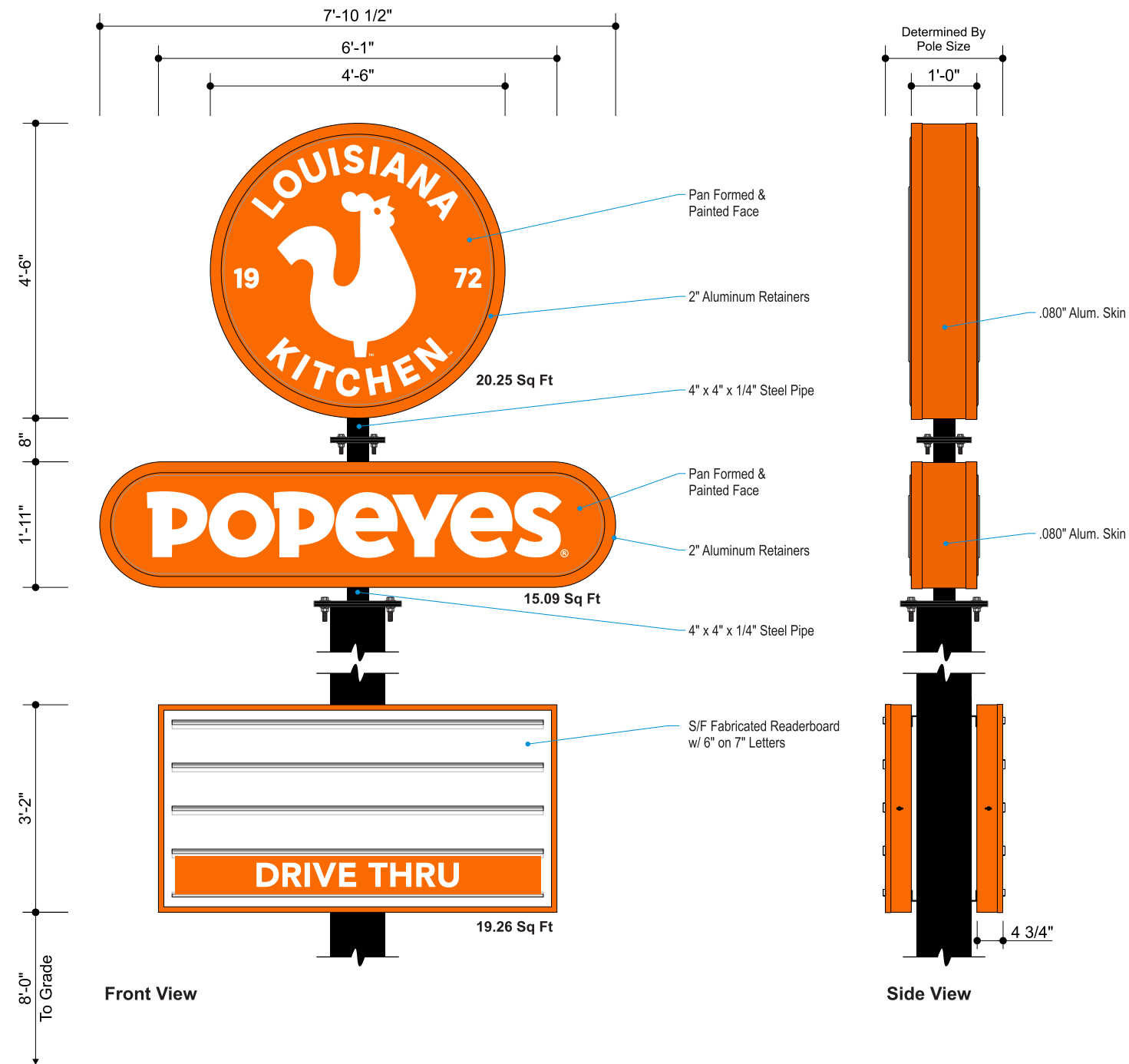
1517 NC 24-87  
Cameron, NC 28326

H: MARKETING DESIGN / CDR / P / POPEYES RETRO / CAMERON, NC.cdr



DEPARTMENT: ART

P30 PYLON SIGN @ 20' OAH • 54.60 SQFT



**SPECIFICATIONS:**

**FACES:** .177" CLEAR POLYCARBONATE FACES W/ 2ND SURFACE 3M VINYL& DIFFUSER

**CABINETS:** CONSTRUCTED W/ ALUM. ANGLE AND .080 ALUM. SKIN

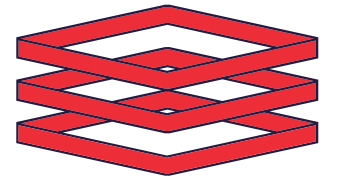
RETAINERS - 2"

**RB:** SET OF S/F CABINETS W/ FLAT FACES. 4 - LINES OF 6" LETTERS ON 7" PANEL

**ILLUM:** WHITE LEDS AS REQUIRED PER MANUFACTURER, SELF CONTAINED POWER SUPPLIES

**ELECTRICAL:** ACTUAL NUMBER OF CIRCUITS TO BE DETERMINED BY LICENSED ELECTRICAL CONTRACTOR

(1) 20 AMP CIRCUIT, 120 VOLTS - ALL WIRING SHALL BE 12 GA



**ENTERA**

Your total branding solution

5900 VENTURE CROSSINGS BLVD

PANAMA CITY, FL 32409

PH: 850-763-7982

FAX: 850-392-0673

www.enterabrading.com

THIS DOCUMENT CONTAINS PROPRIETARY AND CONFIDENTIAL INFORMATION OF ENTERA, L.L.C. AND SHALL NOT BE USED, DISCLOSED OR REPRODUCED, IN WHOLE OR IN PART, FOR ANY PURPOSE OTHER THAN TO EVALUATE THIS DOCUMENT, WITHOUT THE PRIOR WRITTEN CONSENT OF ENTERA, L.L.C. TITLE IN AND TO THIS DOCUMENT AND ALL INFORMATION CONTAINED HEREIN REMAINS AT ALL TIMES PROPERTY OF ENTERA, L.L.C.

**COLOR NOTES**

- 3M #3630-20 WHITE VINYL (COPY)
- 3M #3630-84 ORANGE VINYL (BACKGROUND)
- PMS 3564 ORANGE

**REVISION**

1.	XXXXX
2.	XXXXX
3.	XXXXX
4.	XXXXX

**ARTIST**

DT

**CLIENT**

POPEYES RETRO

**SCALE**

3/8" = 1'-0"

**DATE**

03.08.24

**LOCATION**

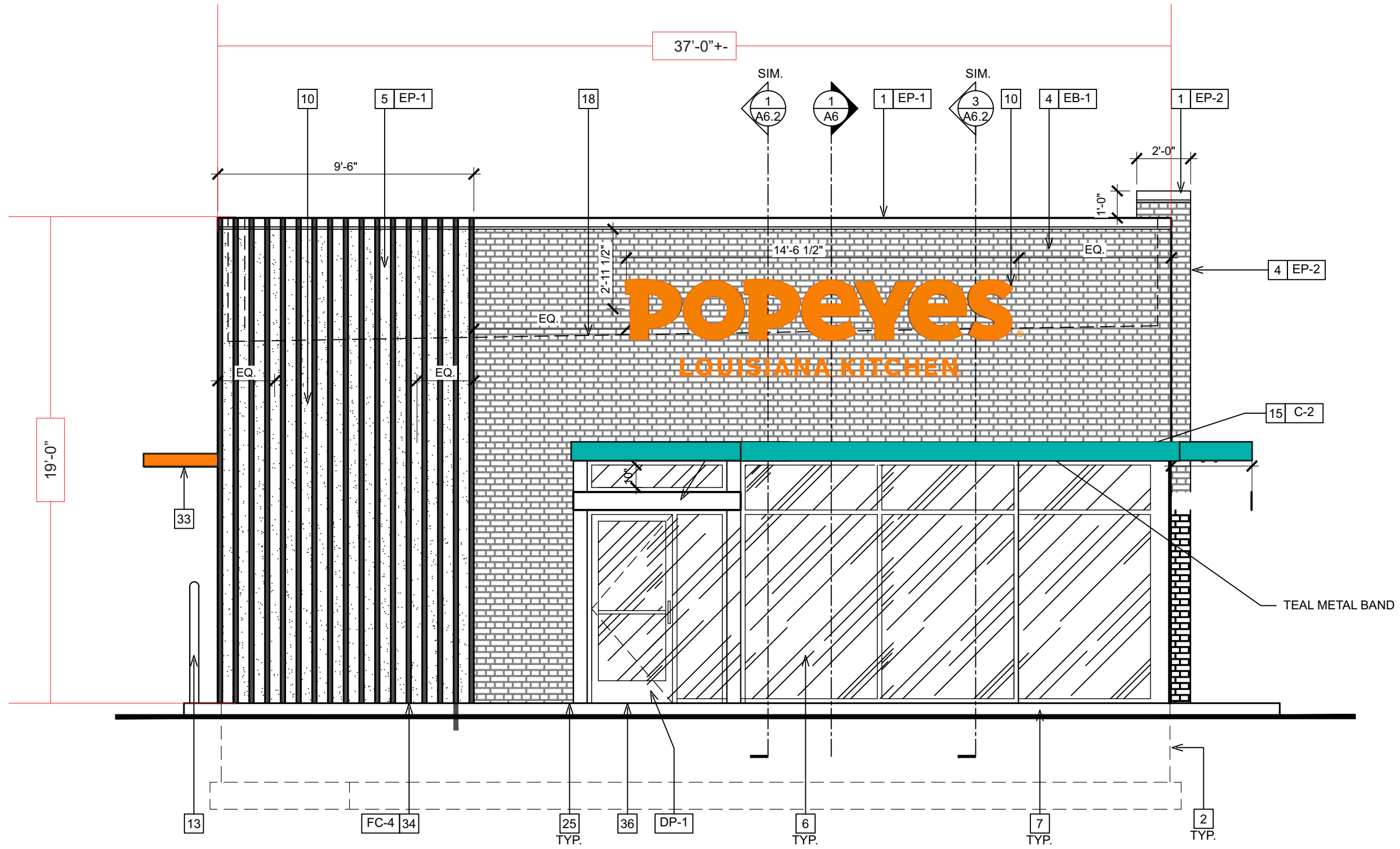
1517 NC 24-87  
Cameron, NC 28326

H: MARKETING DESIGN / CDR / P / POPEYES RETRO / CAMERON, NC.cdr



DEPARTMENT ART

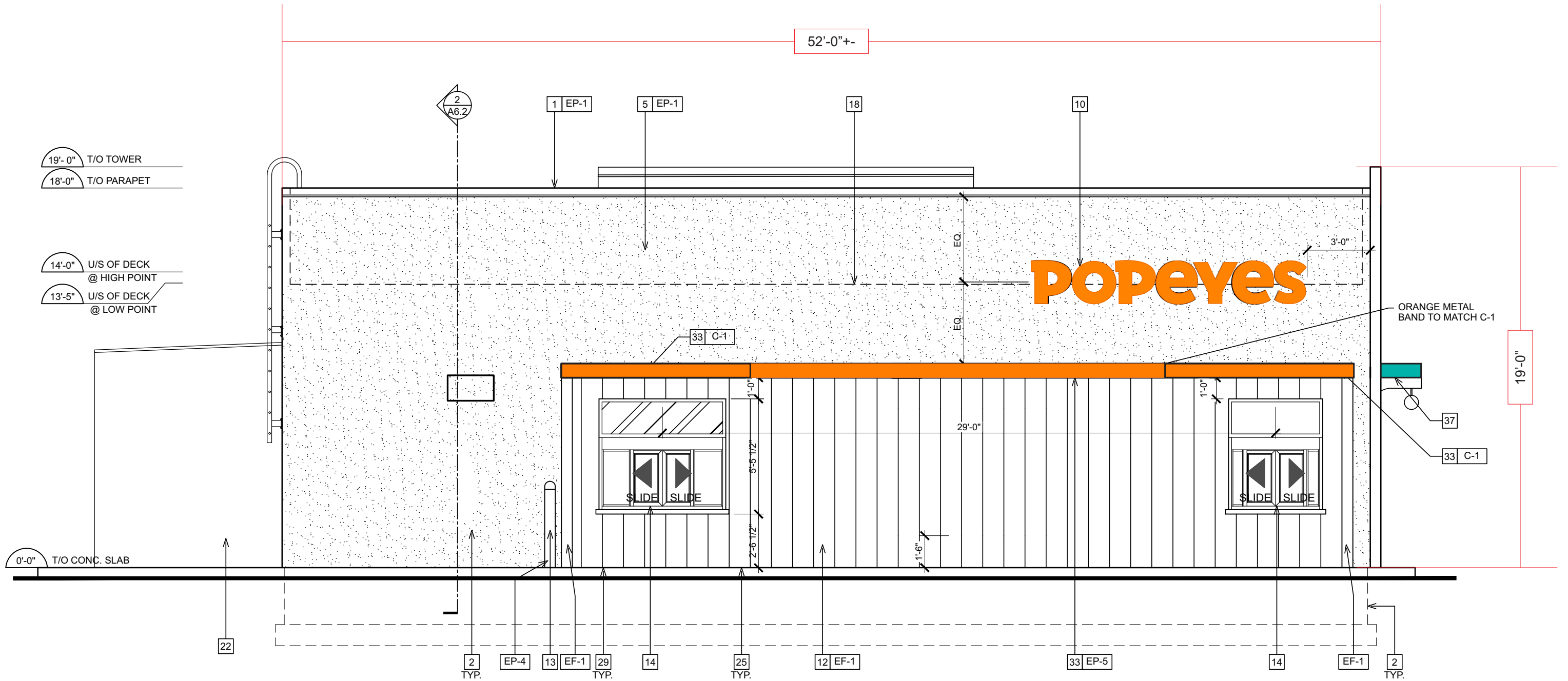
# PROPOSED FRONT ELEVATION



# PROPOSED DRIVE THRU ELEVATION

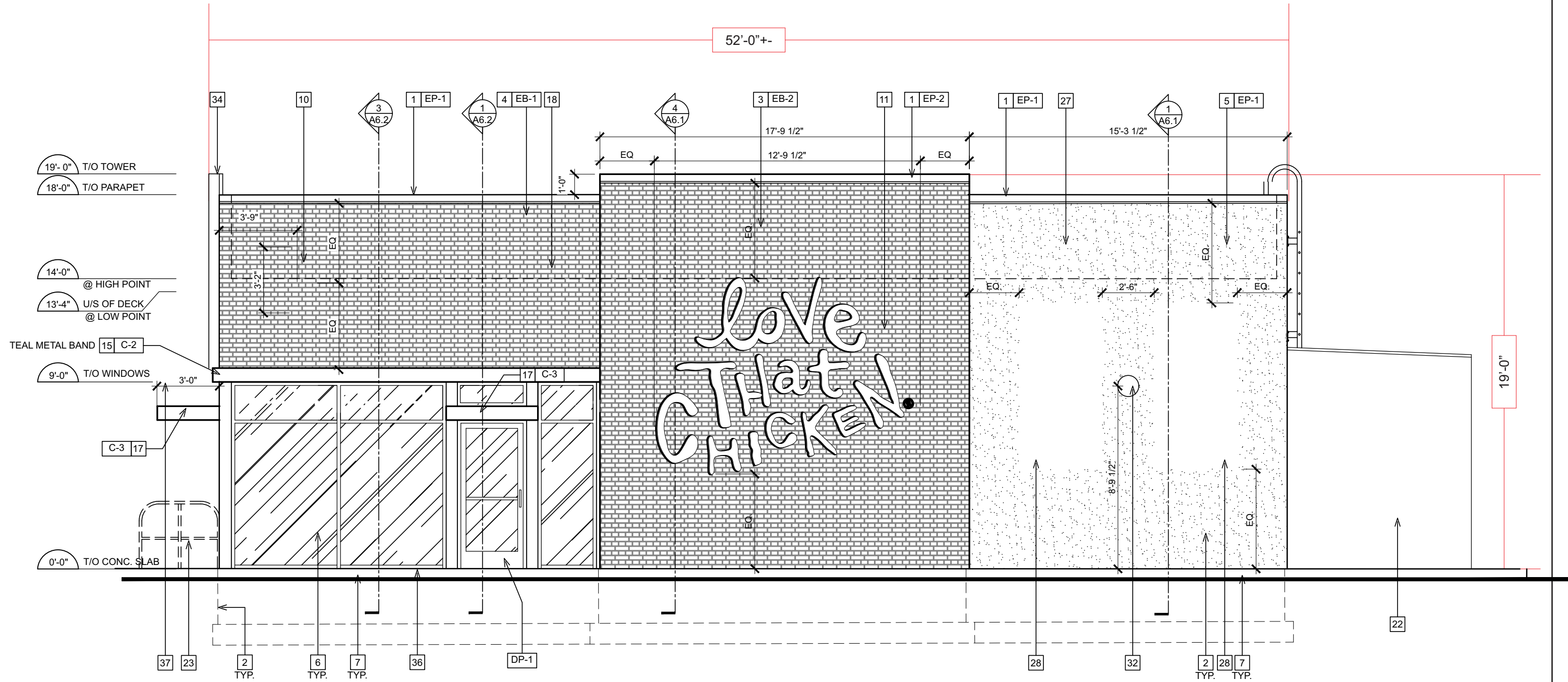


**POPEYES**



**2** PROPOSED DT ELEVATION  
**A5** SCALE: 1/4"=1' - 0"

# PROPOSED SIDE ELEVATION

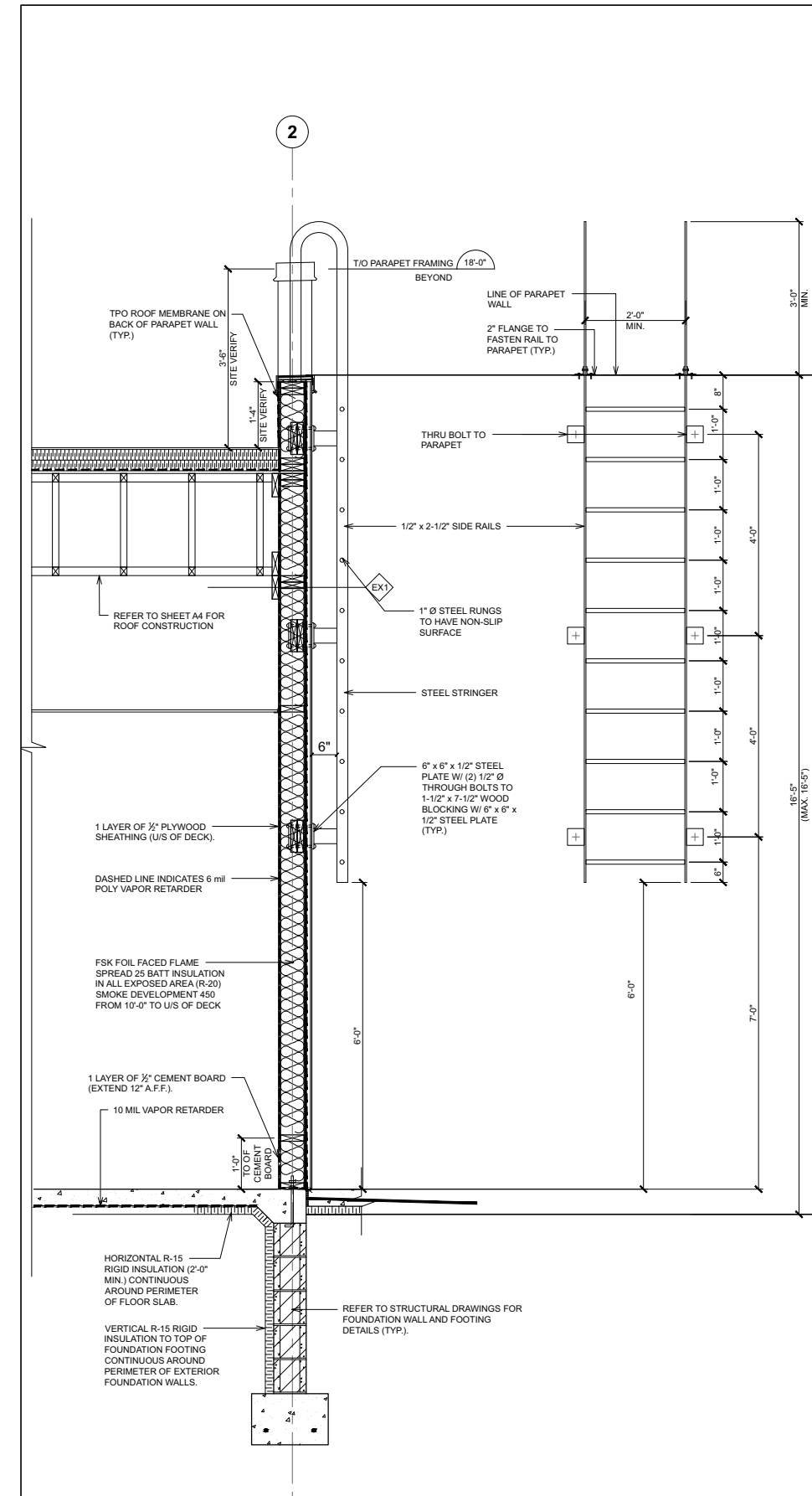
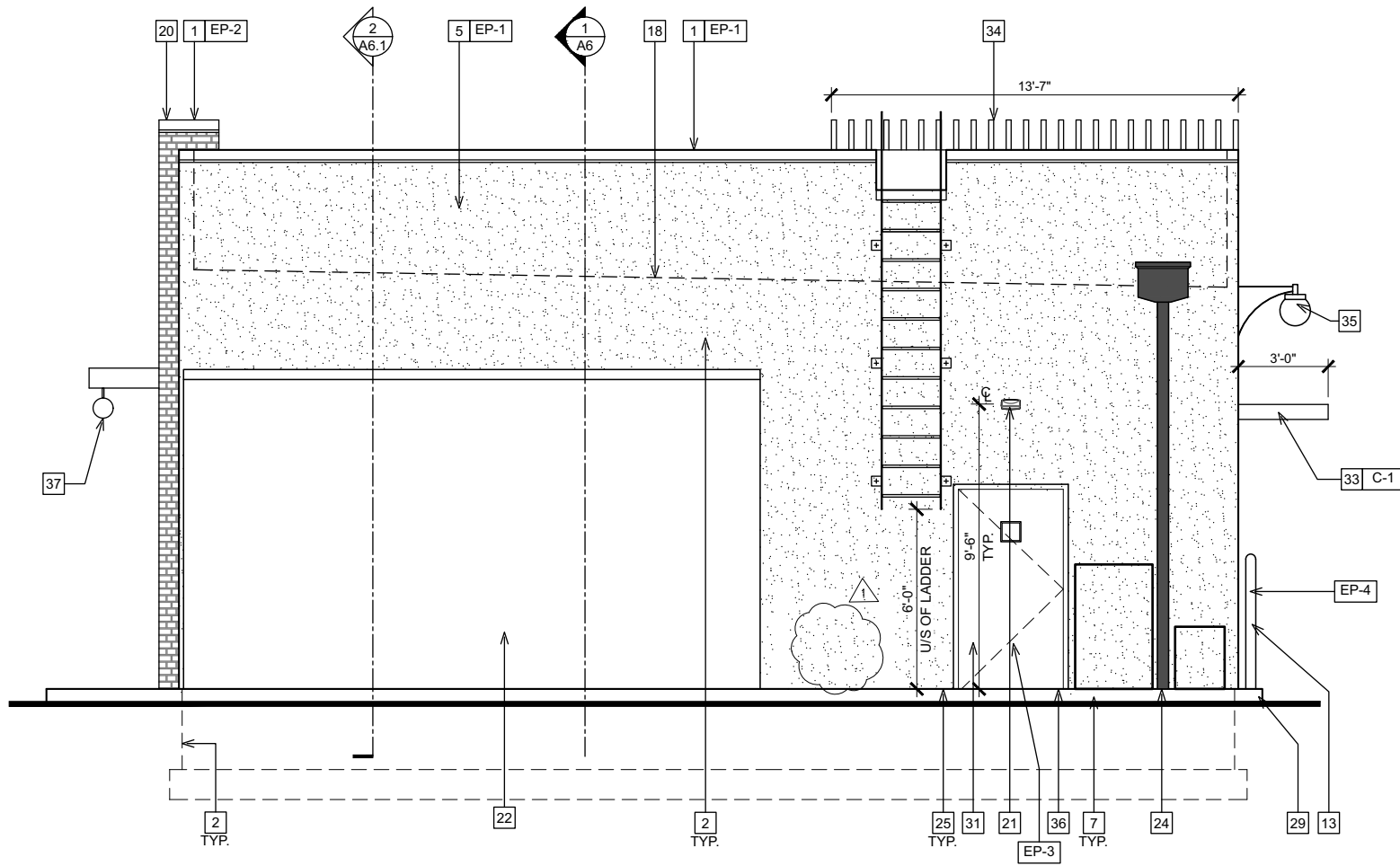


**1** PROPOSED SIDE ELEVATION  
**A5.1** SCALE: 1/4"=1' - 0"





# PROPOSED REAR ELEVATION



**2 WALL SECTION @ LADDER**  
**A6.2** SCALE: 3/4" = 1'-0"