

Weller's Knoll
Harnett County, NC

Entry Statement
Double Sided

Masonry & Electrical:
Done By Others

Main Sign:
2" Thick Aluminum Post
Painted Black w/

Support Structure:
8"x8" Pressure Treated Wood
Stained Color T.B.D.
Aluminum Drip Cap
2" Squared Aluminum
Hanging Bars - Flat Black



Charlie Young - BH	charlie@signsunlimitedusa.com
919-552-8689	www.signsunlimitedusa.com
01.26.23	Underwriters Laboratories Inc.® UL File #E225670

Approval Signature:

Notes:

Please check all spelling, quantities, colors, and materials before approving

SIGNS UNLIMITED
communicate your identity
6801 Mount Hermon Church Rd, Building C
Durham, NC 27705

Weller's Knoll
Harnett County, NC

16" x 16" x .125
Painted Aluminum

1/4" White PVC
Painted Gold

1/2" White PVC
Painted Gold

1" Black
V-Carved PVC

1 1/2" Angle
Screwed to PVC
to be screwed to
down bracket

2" x 2" x 41"
Painted Aluminum

1/4" White PVC
Painted Gold

1/2" White PVC
Painted Gold

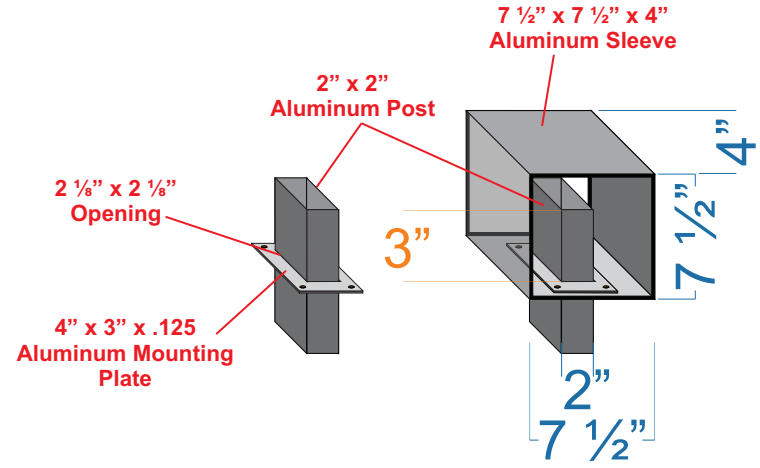
1" Black PVC
V-Carved
Painted Gold



16.00"

16.00"
30.00"
38.00"

52.00"



Entry Statement
OPT A (V-Carved)
Double Sided

Masonry & Electrical:
Done By Others

Main Sign:
2" Thick Aluminum Post
Painted Black w/
1" Thick V-Carved PVC

Colors:
T.B.D.

Support Structure:
8x8" Pressure Treated Wood
Stained Color T.B.D.
Aluminum Drip Cap
2" Squared Aluminum
Hanging Bars - Flat Black

V-Carve Sample



Charlie Young - BH	charlie@signsunlimitedusa.com
919-552-8689	www.signsunlimitedusa.com
01.26.23	Underwriters Laboratories Inc.® UL File #E225670

Approval Signature:

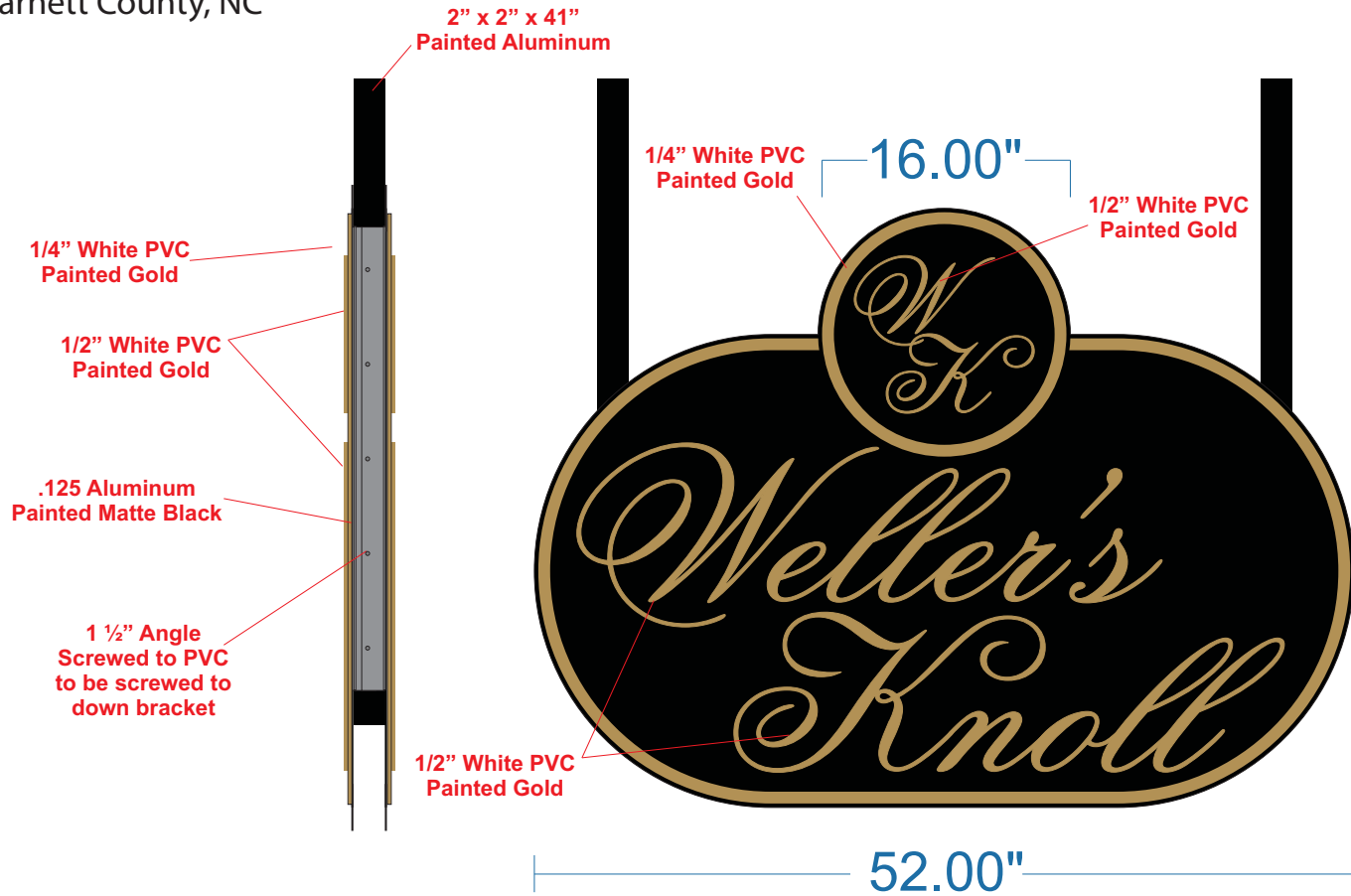
Notes:

Please check all spelling, quantities,
colors, and materials before approving

SIGNS UNLIMITED
communicate your identity

6801 Mount Hermon Church Rd, Building C
Durham, NC 27705

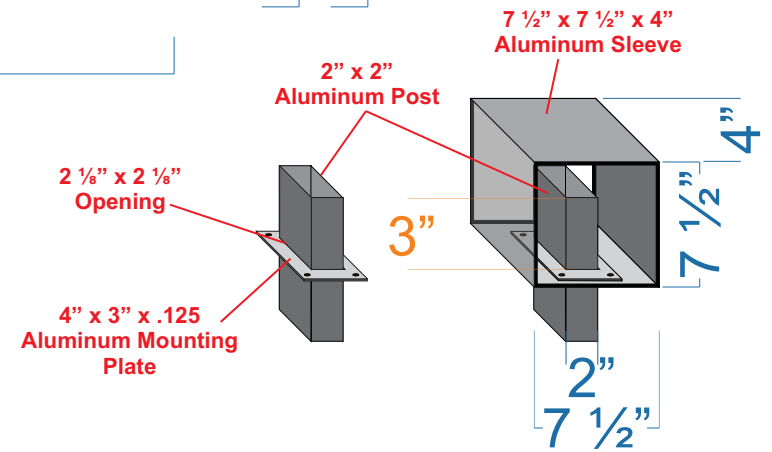
Weller's Knoll
Harnett County, NC



Entry Statement
OPT B (PVC Lettering)

Double Sided
Masonry & Electrical:
Done By Others

Main Sign:
2" Thick Aluminum Post
Painted Black w/
.125 Aluminum w/
Attached 1/4" & 1/2" White PVC
Painted Gold
Colors:
Matte Black & Gold
Support Structure:
BUILT BY OTHERS



Charlie Young - BH	charlie@signsunlimitedusa.com
919-552-8689	www.signsunlimitedusa.com
01.26.23	Underwriters Laboratories Inc.® UL File #E225670

Approval Signature:

Notes:

Please check all spelling, quantities, colors, and materials before approving

SIGNS UNLIMITED
communicate your identity

6801 Mount Hermon Church Rd, Building C
Durham, NC 27705