

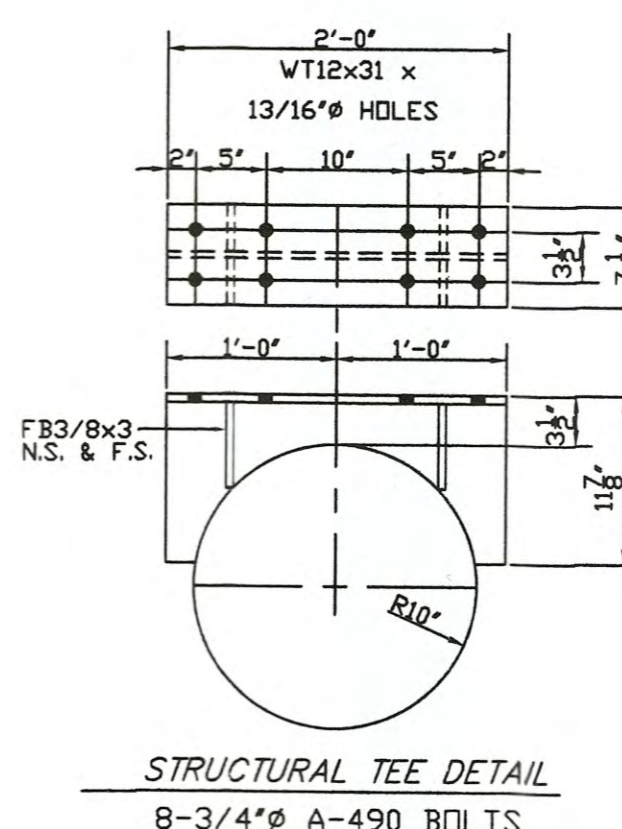
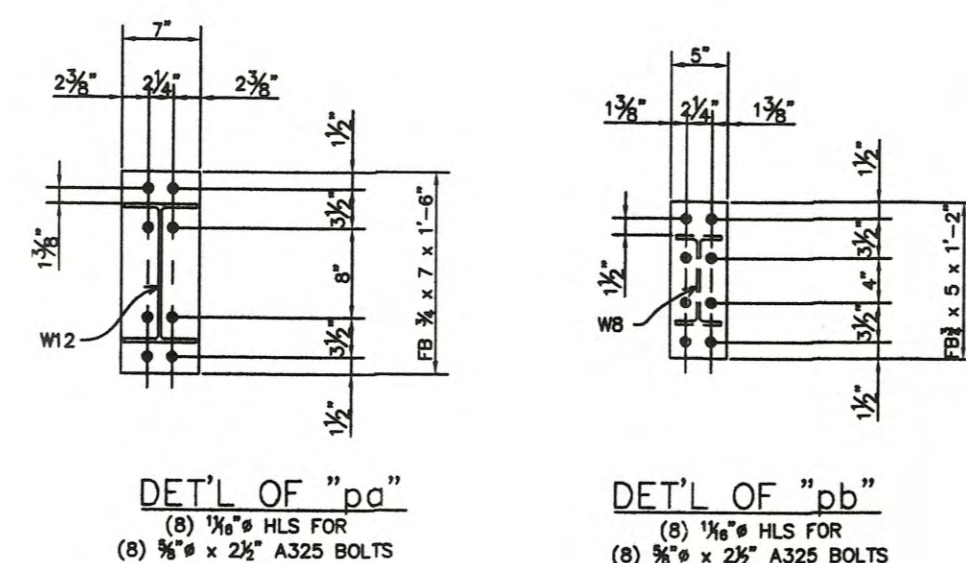
- GENERAL NOTES
- 1) ALL BOLTS SHALL BE A-490 & A-325. (UNLESS NOTED OTHERWISE)
 - 2) ALL NUTS AND BOLTS TO BE DACROMET COATED. (UNLESS NOTED OTHERWISE)
 - 3) ALL STRUCTURAL STEEL WIDE FLANGE BEAMS SHALL CONFORM TO THE REQUIREMENTS A.S.T.M. A-992. (UNLESS NOTED OTHERWISE)
 - 4) ALL STEEL PIPE SHALL CONFORM TO THE REQUIREMENTS A.S.T.M. A-53 GRADE B. (UNLESS NOTED OTHERWISE)
 - 5) ALL STEEL PLATE, ANGLES, CHANNELS, AND "S" SECTION SHALL CONFORM TO THE REQUIREMENTS OF A.S.T.M. A-36.
 - 6) CONCRETE SHALL DEVELOP A MINIMUM COMPRESSIVE STRENGTH OF F_c=3,000 P.S.I.
 - 7) ALL STRUCTURAL STEEL SHALL BE FABRICATED AND ERRECTED ACCORDING TO THE LATEST A.I.S.C. SPECIFICATIONS AND CODE OF STANDARD PRACTICE.
 - 8) ALL WELDING SHALL BE IN ACCORDANCE WITH A.W.S. STANDARDS. WELDING TO BE PERFORMED BY CERTIFIED WELDERS USING E-70 ELECTRODES.
 - 9) STRUCTURAL STEEL TO BE SHOP PRIMED AND PAINTED. (UNLESS NOTED OTHERWISE)
 - 10) ALL 3'-0" WIDE EXTERIOR WALKWAYS TO BE FRAMED WITH L4x3x1/4 AND HAVE 3# EXPANDED METAL GRATE. ALL 2'-0" WIDE CATWALKS TO HAVE 2# EXPANDED METAL GRATE.
 - 11) CONCRETE REINFORCING STEEL SHALL CONFORM TO A.S.T.M. A-615 GRADE 60.
 - 12) INSTALLER TO ENSURE THAT ALL WORK IS PERFORMED IN ACCORDANCE WITH FEDERAL, STATE & LOCAL CODES & ORDINANCES; AND O.S.H.A. SAFETY REGULATIONS.
 - 13) THE STRUCTURE IS DESIGNED IN ACCORDANCE TO THE 2018 I.C. BLDG CODE, 2015 I.B.C. (115 MPH-EXP C) RISK CAT II. COMPACT FINE SOIL OR BETTER.
 - 14) DESIGN SOIL PRESSURE FOR 150 P.S.F./F OF DEPTH.
 - 15) FIELD TO ADD "LB1" BARS TO BOLT-ON LADDER STRINGERS. BARS TO BE FIELD WELDED TO EXTENSION LADDER & TORSION PIPE FOR ADDED STABILITY.
 - 16) DESIGN TO SUPPORT (2) DIGITALS WEIGHING 5500# EA.

NOTICE TO CONTRACTOR
All preparation must comply with current NC Building Codes and is subject to field inspection and verification.

Reviewed for Code Compliance

04/24/2023

HARNETT COUNTY
NORTH CAROLINA



NO.		DESCRIPTION		BY	DATE
REVISION					

KEELER
IRON WORKS, INC.
Custom Steel Fabricators
1969 Harbor Ave.
Memphis, TN 38113

Ph. 800-526-8306 Fax 901-775-1576

LAMAR
RALEIGH, NC
10'-6" x 35'-0" 1/2" 20" CNTP MOUNT
30'-0" O.A.H. 1/2" 20"
DIGITAL UNIT ON RIGHT SIDE

BROUGH and STEPHENS, INC.
Consulting Engineers
MEMPHIS, TENNESSEE

FILE 10123
SHEET NO. E1