

DOLLAR GENERAL®

Dollar General
DGEN-C.202
Lillington, NC
July 12, 2022

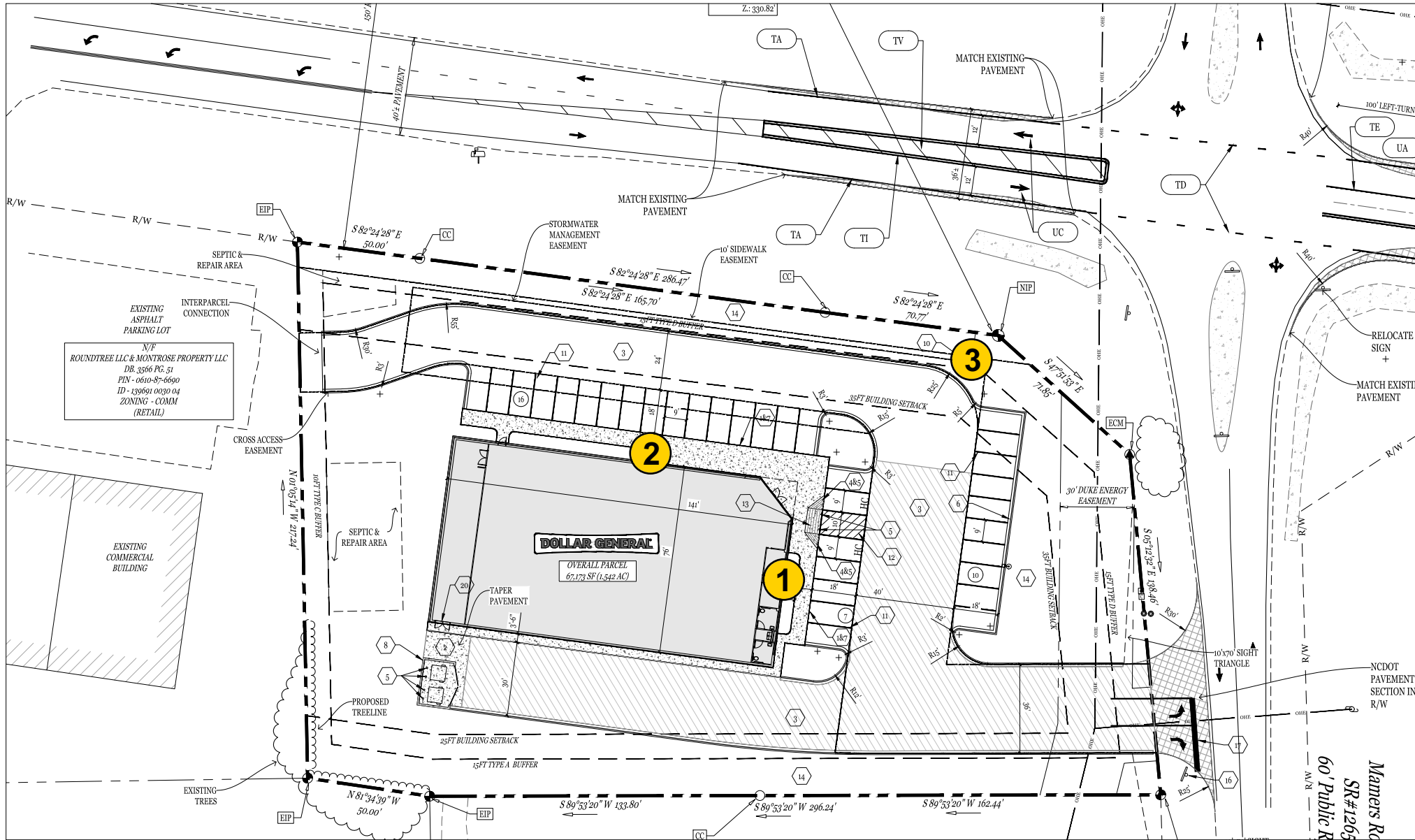
Allen Industries

YOUR BRAND AT ITS BEST™

1-800-967-2553
www.allenindustries.com

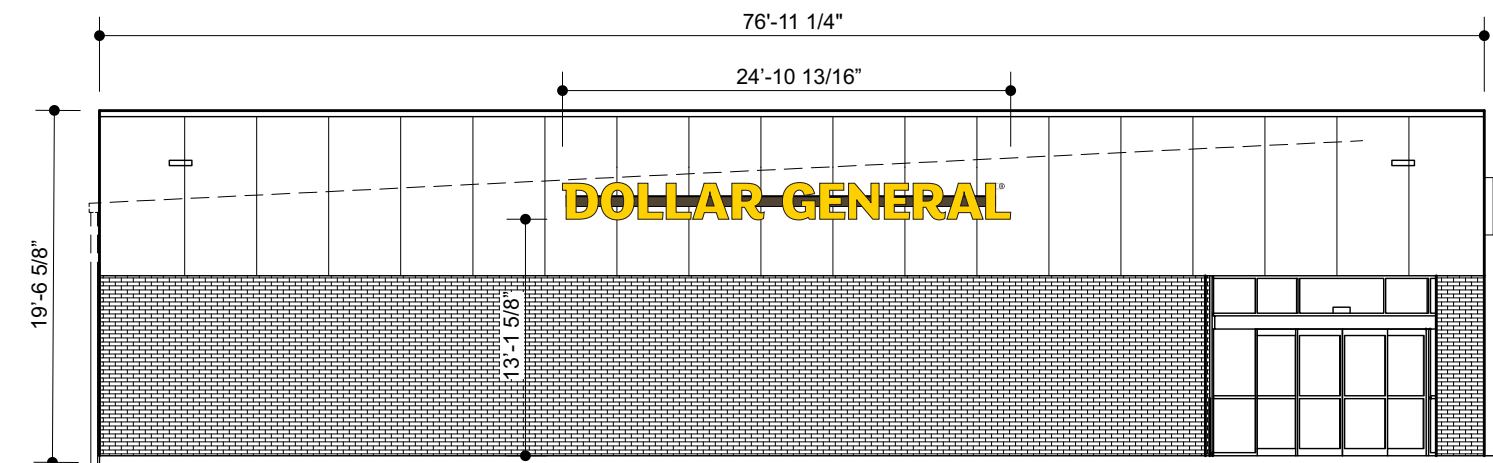
Customer Approval / Signature

Signature: _____ Date: _____

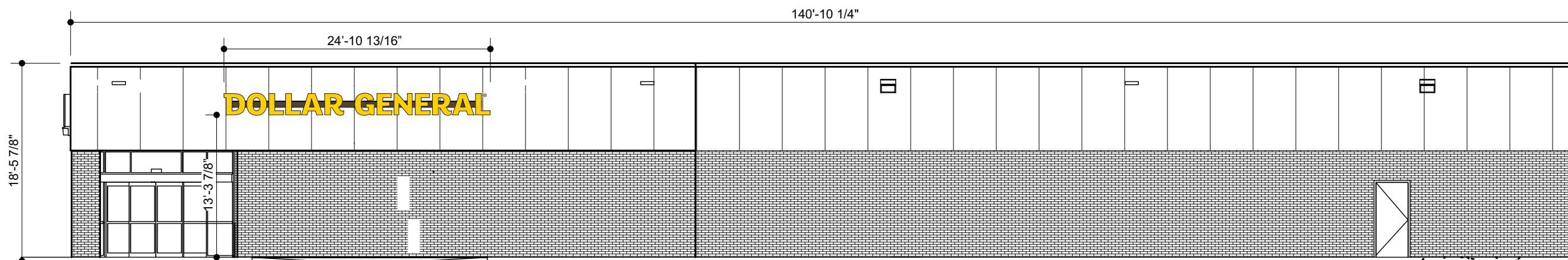


- 1** 24" Raceway Channel Letters
- 2** 24" Raceway Channel Letters
- 3** 5'x10' Pylon

#	Date	Description
1	07/11/22	Pole Cover Change
2	-	-
3	-	-
4	-	-
5	-	-
6	-	-



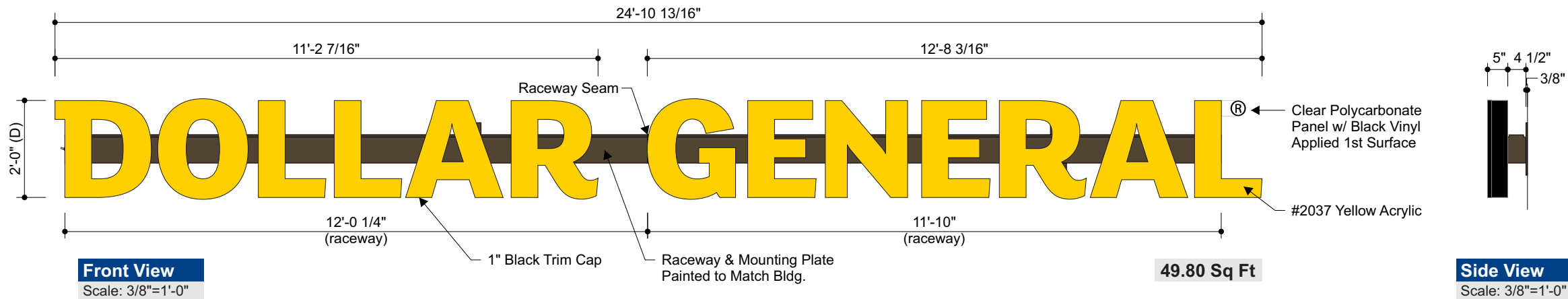
South Elevation
Scale: 3/32"=1'-0"



West Elevation
Scale: 3/32"=1'-0"

DESIGN INTENT ONLY
Engineering Required to
Determine Actual Production
& Installation Requirements

FIELD SURVEY REQUIRED
Prior to Release to Production



Front View
Scale: 3/8"=1'-0"

Side View
Scale: 3/8"=1'-0"

QTY: 2



Night View
Scale: 3/16"=1'-0"

- NOTES:**
- Design is based on 115 mph 3 second gust design wind speed per IBC 2006. Category II. Exposure C, components & cladding, zone 5.
 - No additional wind catching surfaces are added to the building structure. The customer's building engineer is to determine the adequacy of the supporting structure.
 - Aluminum housings shall be fabricated from 3003-H14 sheet. Extruded shapes shall be 6063-T6, unless noted otherwise.
 - All fasteners shall be zinc coated to prevent corrosion unless noted otherwise.
 - All wall penetrations shall be sealed to prevent water intrusion.
 - This design is prototypical and should not be used for site specific applications unless reviewed and deemed suitable for use at that site by a competent Professional Engineer.

Hardware Mounting Chart			
Note:	Masonry	Wood	Metal
Threaded Rod will be Provided Standard for All. Other Hardware Is to be Provided by the Installer As Req.			
Signs and Raceways			
3/8" Zinc Plated Steel Threaded Rod Thru Wall	•	•	•
3/8" Lags with Shields	•		
3/8" Lag Bolts		•	
3/8" Toggle Bolts			•

Vinyl Specifications

3M 7125-12 Black

Color Specifications

Black Trim Cap
#2037 Yellow Acrylic

Paint Specifications

Raceway Color: SW 7041 Van Dyke Brown

All paint finishes to be Satin unless otherwise specified

General Specifications

Face: .177" 2037 Yellow Acrylic with 1" Black Jewelite Trimcap
Returns: 5" Coil Stock, Pre-Finished Black (Gloss)
Backs: .063" thk. Aluminum
Raceway: 4 1/2" x 7" EMS Aluminum Raceway, Painted to match existing wall
Face Illum: Principal White LEDs as required by manufacturer, Power Supplies located in Raceway
Wall Type: TBD
Install: Channel letters w/ raceway to be installed using min. 3/8" all thread fasteners (or approved equivalent) and wood blocking as required
Quantity: (1) ONE



Electric Sign Complies with UL48

THIS SIGN IS INTENDED TO BE INSTALLED IN ACCORDANCE WITH THE REQUIREMENTS OF ARTICLE 600 OF THE NATIONAL ELECTRICAL CODE AND/OR OTHER APPLICABLE LOCAL CODES. THIS INCLUDES PROPER GROUNDING AND BONDING OF THE SIGN.



Allen Industries
YOUR BRAND AT ITS BEST™
1-800-967-2553
www.allenindustries.com

Copyright © 2022 Allen Industries, Inc. This is an original, unpublished drawing, created by Allen Industries, Inc. This drawing is submitted to you in confidence for your use solely in connection with the project being planned for you by Allen Industries, Inc. and is not to be shown to anyone outside your organization, nor used, reproduced, copied or exhibited in any fashion whatsoever. The designs shown on the drawing (except for any registered trademarks that may belong to a client of Allen Industries, Inc.) remain the property of Allen Industries, Inc.

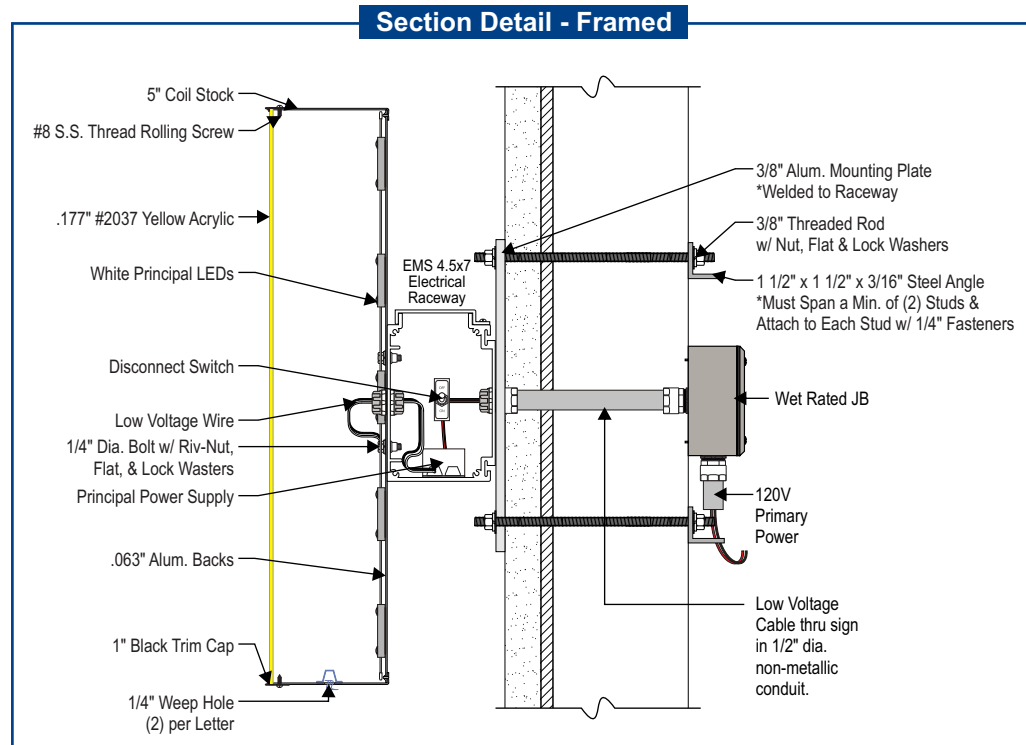
Client:
Dollar General
#23680
Address:
TBD Mamers Road
Lillington, NC 27546

Date: 06/13/22
Page #: 4
File Name: DGEN-C.202_Lillington, NC_302
Sales: House
Design: SR
PM: ND

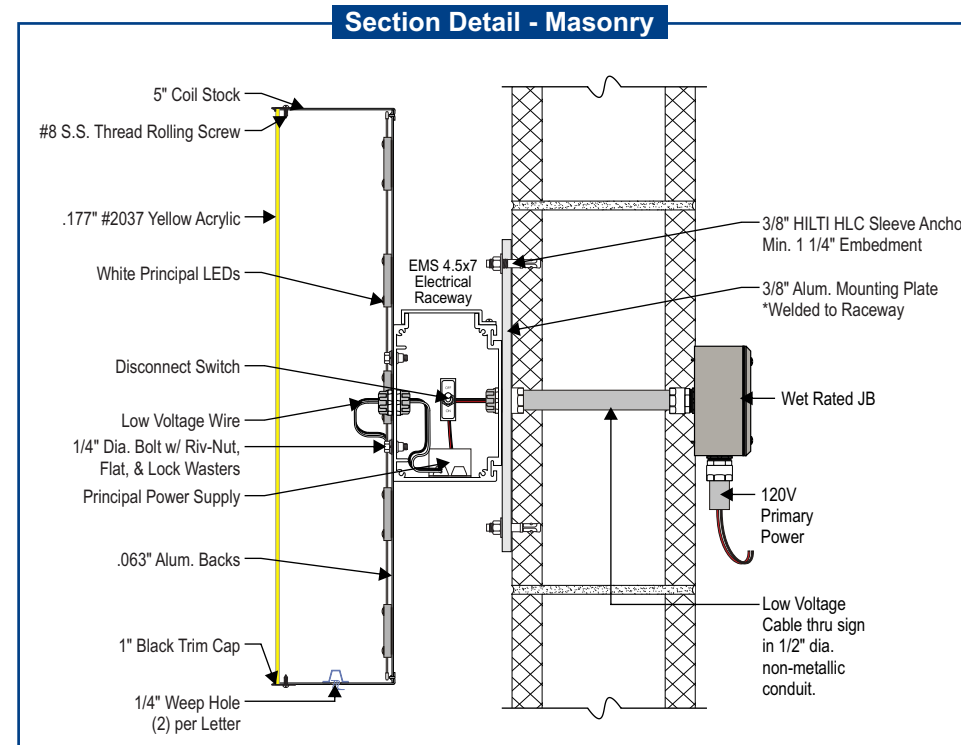
#	Date	Description	Initial
1	07/11/22	Pole Cover Change	SS
2	-	-	-
3	-	-	-
4	-	-	-
5	-	-	-
6	-	-	-

Client Review Status
Allen Industries, Inc. requires that an approved drawing be obtained from the client prior to any production release or production release revision.
Client Signature: _____ Approval Date: _____

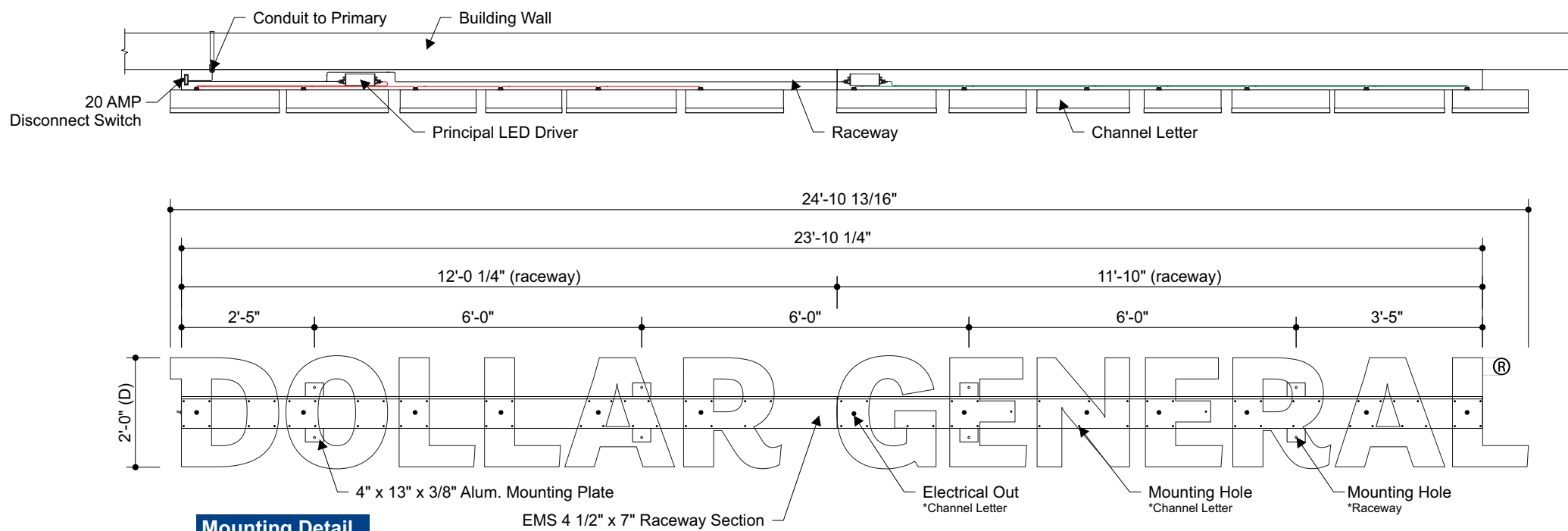
DESIGN INTENT ONLY
Engineering Required to
Determine Actual Production
& Installation Requirements



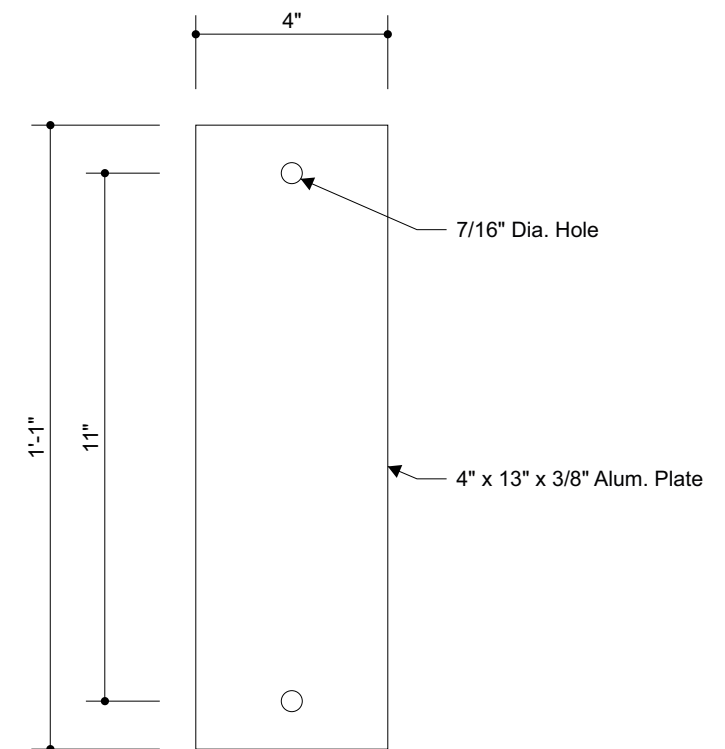
Raceway Mount Detail
Scale: 1 1/2"=1'-0"



Raceway Mount Detail
Scale: 1 1/2"=1'-0"



Mounting Detail
Scale: 3/8"=1'-0"




Mounting Bracket
Scale: 3"=1'-0"
Quantity: 4

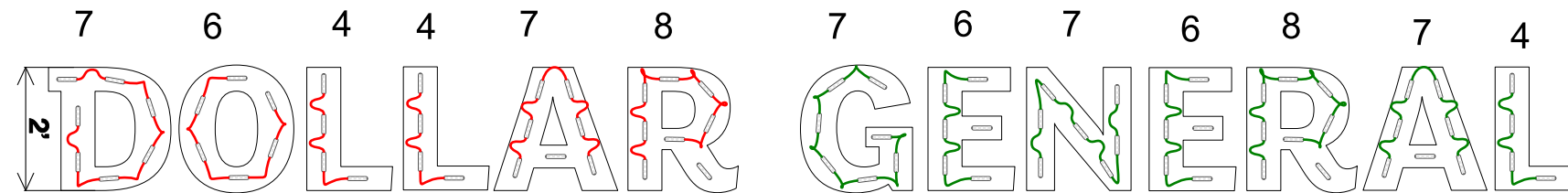


Electric Sign
Complies with
UL48

THIS SIGN IS INTENDED TO BE INSTALLED IN ACCORDANCE WITH THE REQUIREMENTS OF ARTICLE 600 OF THE NATIONAL ELECTRICAL CODE AND/OR OTHER APPLICABLE LOCAL CODES. THIS INCLUDES PROPER GROUNDING AND BONDING OF THE SIGN.



REV.		 3490 Venture Dr. San Angelo, Tx. 76905 Ph. 1-325-227-4577 FAX 1-325-227-6841 www.p-led.com	THESE DRAWINGS AND SPECIFICATIONS ARE THE CONFIDENTIAL PROPERTY OF PRINCIPAL LED, LLC.. ANY REPRODUCTION OR USE WITHOUT PRIOR WRITTEN CONSENT IS PROHIBITED				
1.			TITLE				
NOTE:			Dollar General-111507				
MAX MODS PER SERIES: 36			DATE: 21 Feb 2022	DRAWN BY: Shelby Little	AMP DRAW: 3.52 A		
MAX MODS PER PS: 0			SIGN HEIGHT D=24in	SIGN DEPTH 5 in	FACE MATERIAL: Acrylic	LIGHTING: Face Lit	



█ Load: 49.5 %
 Modules: 36.0
 Watts: 47.5 of 96.0
 PS: Universal 96W (24V)

█ Load: 61.9 %
 Modules: 45.0
 Watts: 59.4 of 96.0
 PS: Universal 96W (24V)

ESTIMATED PRODUCT PER SIGN	CAUTION: THIS LAYOUT IS ONLY AN ESTIMATE. Channel letter depth, face color, material, and thickness can vary which may effect the number of modules required. To ensure accuracy, it is recommended that you test light in a darkened environment prior to installing or shipping to the site to ensure the light output is commercially acceptable. Final material estimates are the responsibility of the sign manufacturer. Unless noted in header, Layout is based on the use of acrylic face material.
(81) Pinnacle 24V HE 5000K Modules (UL#: PL-OP1-TO4-P-NW, SKU#: M-SFTO4-50-24)	(2) pcs Universal 96W (24V) Driver(s) (UL#: PL-96-24-U, SKU#: P-OH096-24-PL)



Electric Sign Complies with UL48

THIS SIGN IS INTENDED TO BE INSTALLED IN ACCORDANCE WITH THE REQUIREMENTS OF ARTICLE 600 OF THE NATIONAL ELECTRICAL CODE AND/OR OTHER APPLICABLE LOCAL CODES. THIS INCLUDES PROPER GROUNDING AND BONDING OF THE SIGN.



#	Date	Description	Initial
1	07/11/22	Pole Cover Change	SS
2	-	-	-
3	-	-	-
4	-	-	-
5	-	-	-
6	-	-	-

Client Review Status

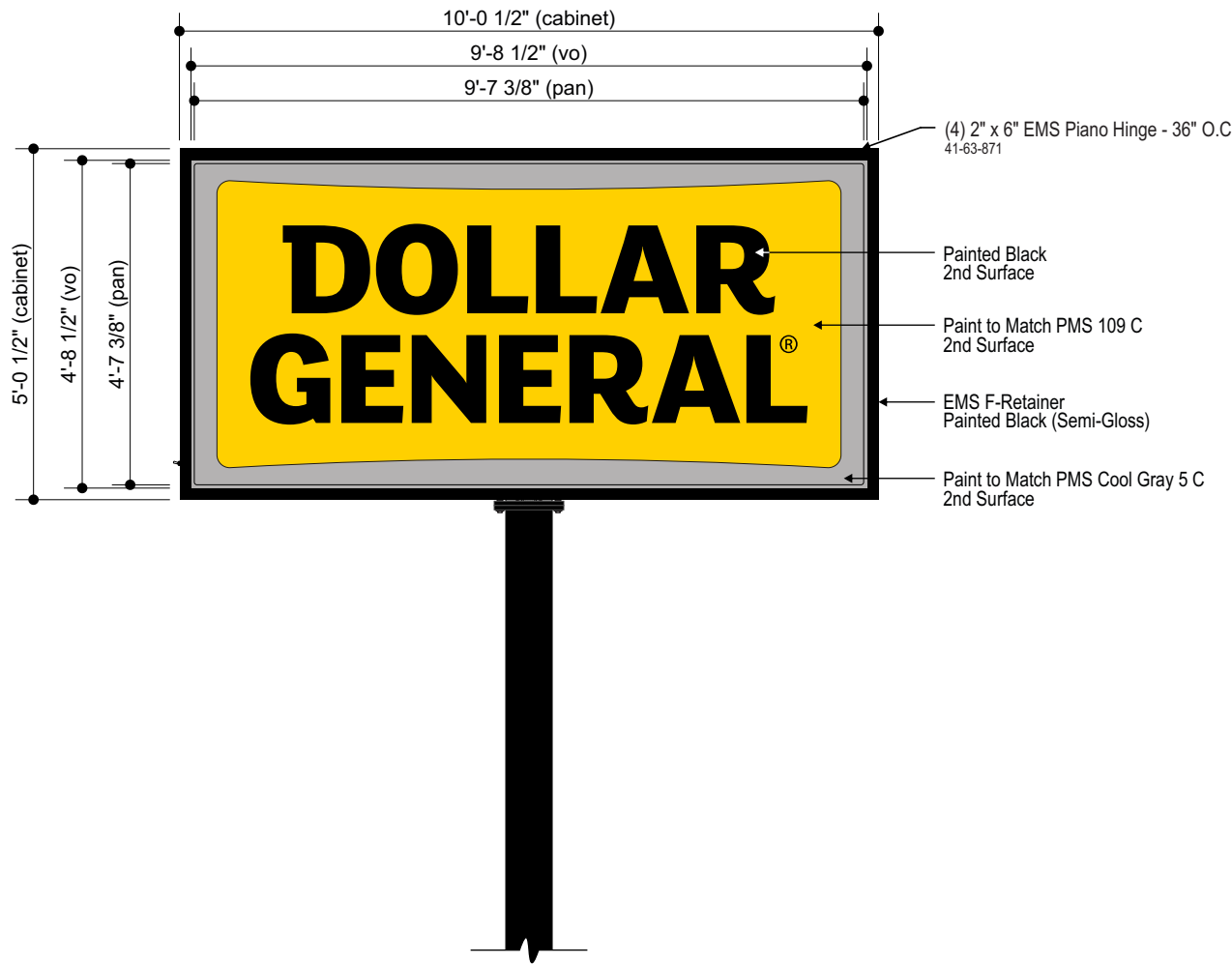
Allen Industries, Inc. requires that an approved drawing be obtained from the client prior to any production release or production release revision.

Client Signature:	Approval Date:
-------------------	----------------

115 MPH Dollar General - 5'-0" x 10'-0" Pylon Sign

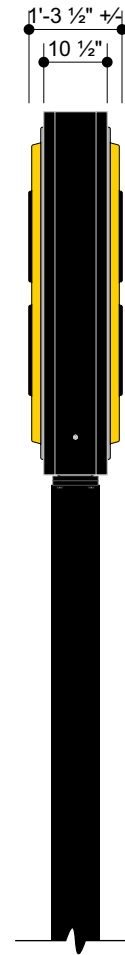
Internally Illuminated - LED

DESIGN INTENT ONLY
Engineering Required to
Determine Actual Production
& Installation Requirements



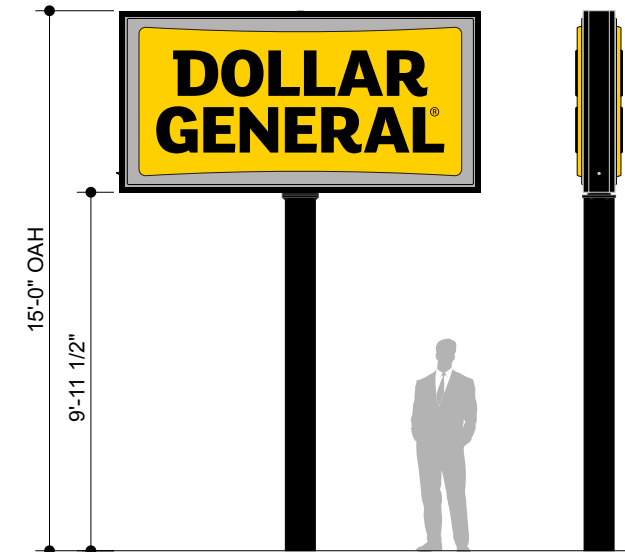
Front View
Scale: 3/8"=1'-0"

50.63 Sq Ft



Side View
Scale: 3/8"=1'-0"

POLE MUST HAVE POLE COVER
.080 ALUMINUM SHEET METAL
TO BE BRAKE FORMED AND ATTACHED
TO STEEL SUPPORTS POLE



Full Elevation
Scale: 3/16"=1'-0"

NOTES:

- Design is based on 115 mph 3 second gust design wind speed per IBC 2006. Category II. Exposure C.
- Support members shall be free from defects and shall meet ASTM A500 grade B with a minimum yield strength of 46000 psi for tube. Plate and angle shall meet ASTM A36. Aluminum shall be fabricated from 3003-H14 sheet. Extruded shapes shall be 6063-T6, unless noted otherwise.
- Structural bolts shall be zinc coated A325 unless otherwise noted.
- Welds shall be made with E70xx electrodes for steel and 4000 series filler for aluminum by persons qualified in accordance with AWS standards within the past two years.
- This design is prototypical and should not be used for site specific applications unless reviewed and deemed suitable for use at that site by a competent Professional Engineer.



Night View
Scale: 1/4"=1'-0"

Color Specifications

- PMS 109 C - RGB 253/209/39
CMYK 1/16/100/0
- PMS Cool Gray 5 C - RGB 178/178/179
CMYK 32/25/26/0
- PMS Black C - RGB 0/0/0
CMYK 75/68/75/90

Paint Specifications

- Paint to Match PMS 109 C
- Paint to Match PMS Cool Gray 5 C
- Black (Semi-Gloss)

All paint finishes to be Satin unless otherwise specified

General Specifications

Faces:	.177" Clear Polycarbonate Extruded/Embossed
Graphic:	Painted 2nd Surface as Indicated
Cabinet:	EMS 10" Alum. Sign Frame Cabinet w/ F-Retainers. Exterior Painted Black (Semi-Gloss), Interior Painted White
Illum:	Principal White LEDs as required by manufacturer; Remote Power Supplies
Electrical:	Actual # of Circuits to be Determined by Licensed Electrical Contractor, (1) 20 AMP Circuit, 120 Volts
Quantity:	(1) ONE

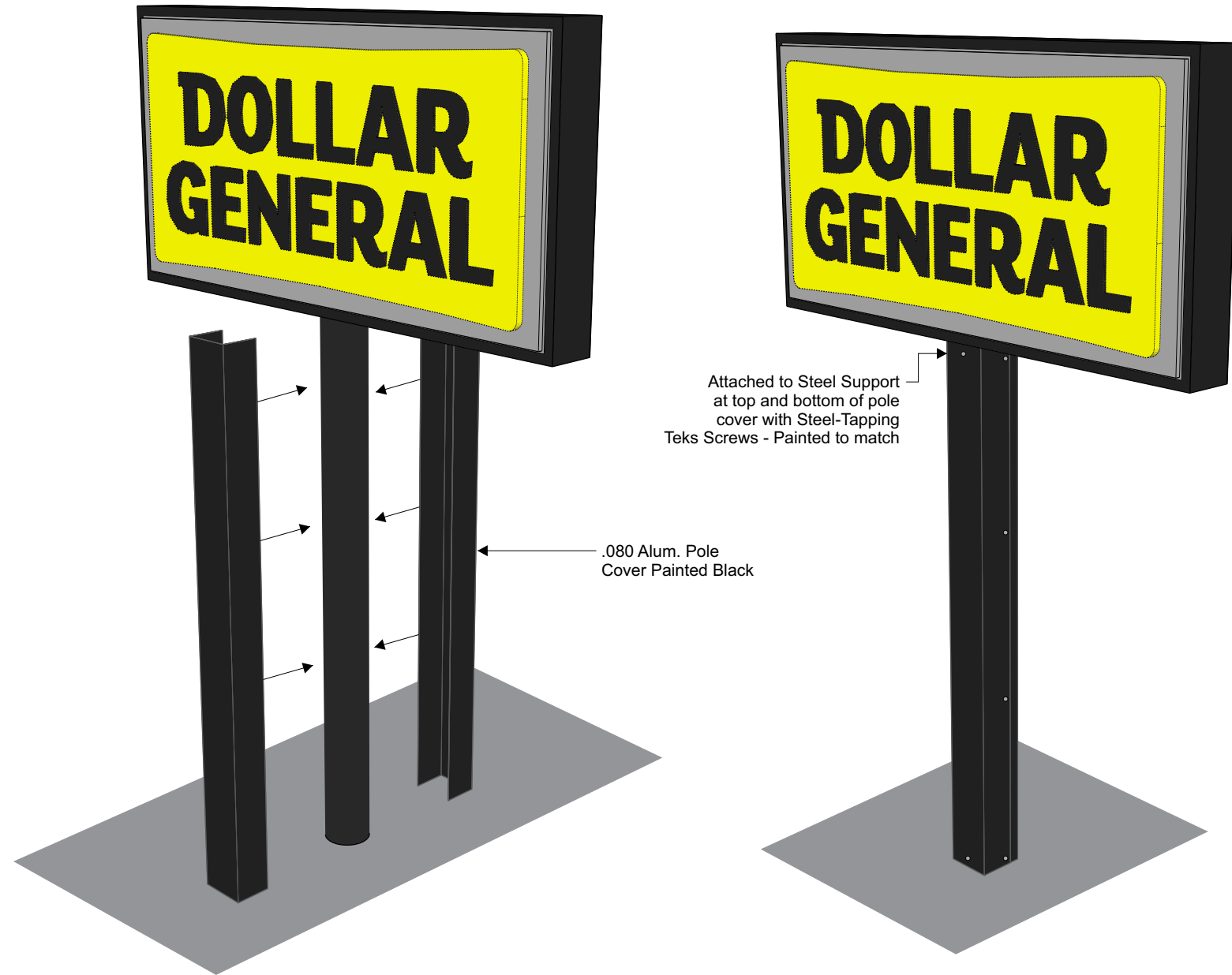
Allen Industries FILE NUMBER: E212503

Electric Sign Complies with UL48

THIS SIGN IS INTENDED TO BE INSTALLED IN ACCORDANCE WITH THE REQUIREMENTS OF ARTICLE 600 OF THE NATIONAL ELECTRICAL CODE AND/OR OTHER APPLICABLE LOCAL CODES. THIS INCLUDES PROPER GROUNDING AND BONDING OF THE SIGN.

GROUNDING ELECTRICAL CONNECTIONS

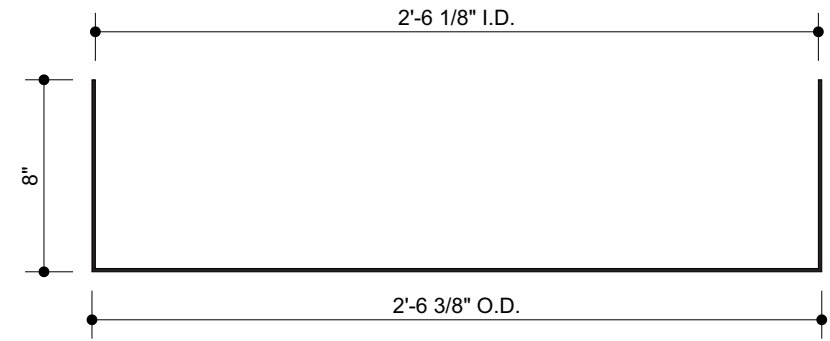
#	Date	Description	Initial
1	07/11/22	Pole Cover Change	SS
2	-	-	-
3	-	-	-
4	-	-	-
5	-	-	-
6	-	-	-



Paint Specifications

- Paint to Match PMS 109 C
- Paint to Match PMS Cool Gray 5 C
- Black (Semi-Gloss)

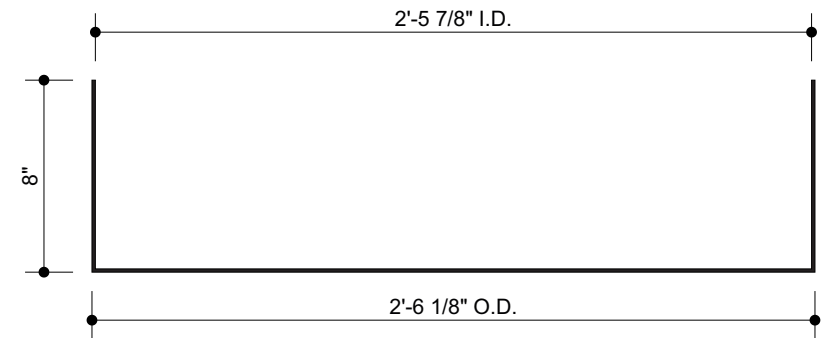
All paint finishes to be Satin unless otherwise specified



Section View - Front Piece

Scale: 1:8

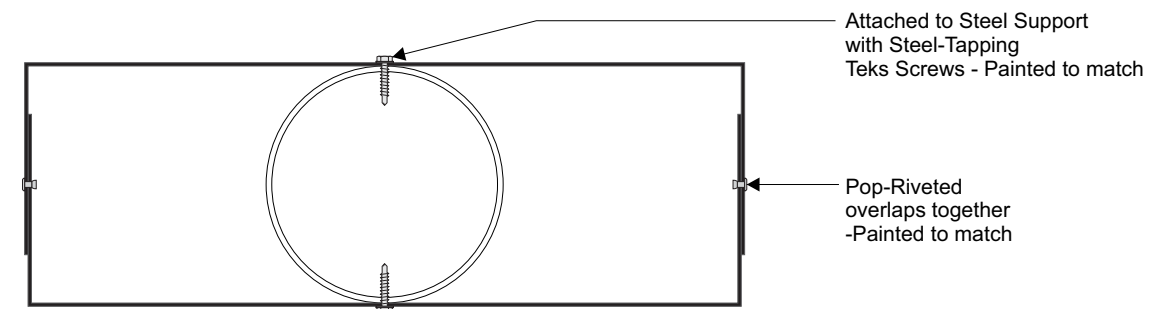
QTY: 1 @ 10'-0" Long



Section View - Rear Piece

Scale: 1:8

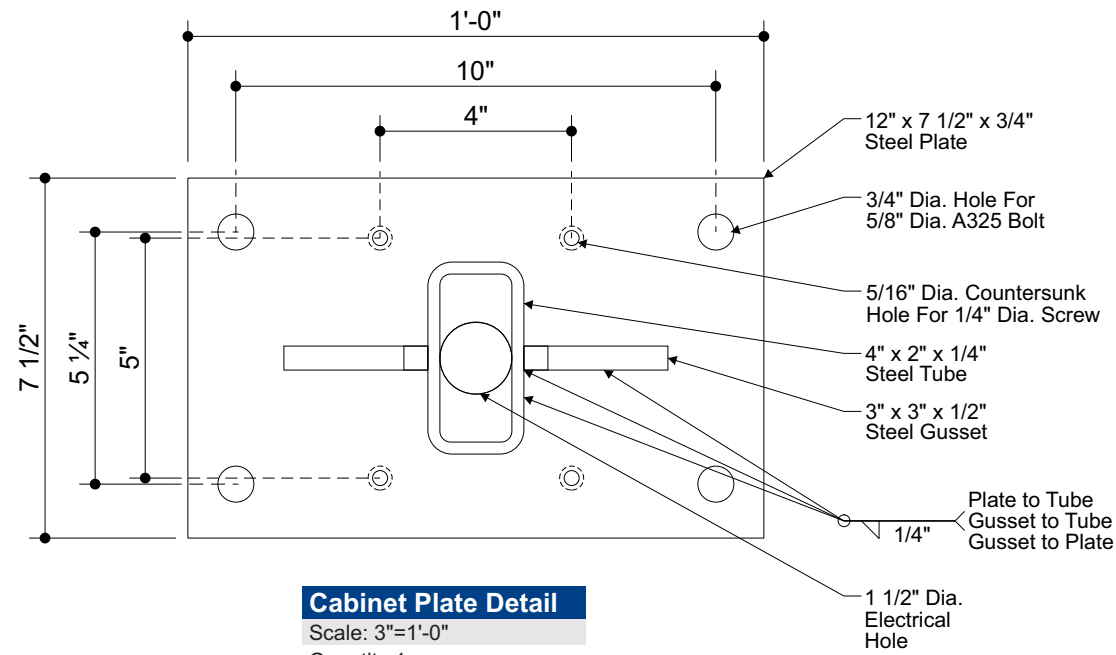
QTY: 1 @ 10'-0" Long



Top View - Attachment

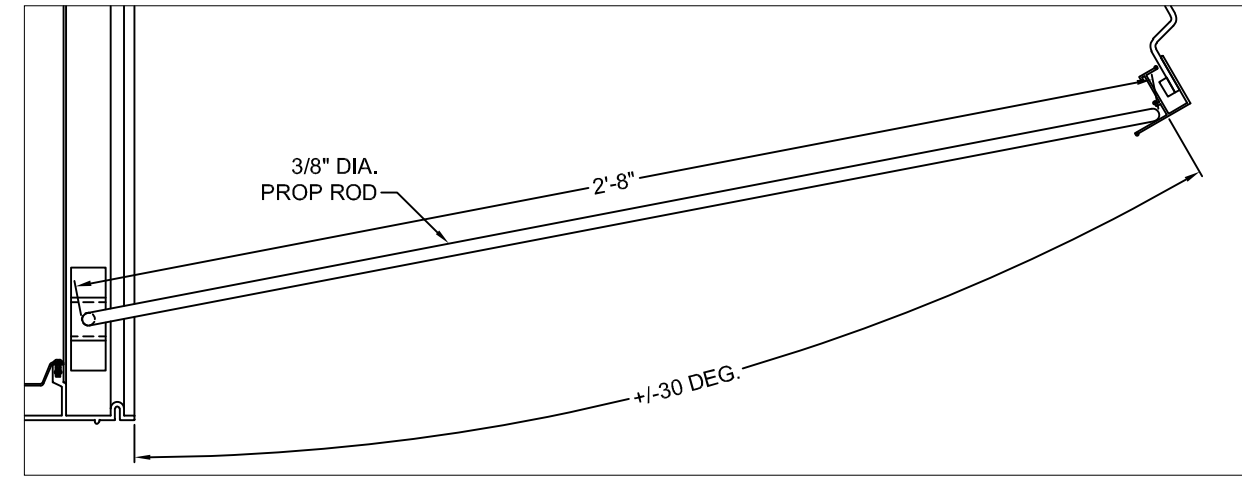
Scale: 1:8

DESIGN INTENT ONLY
Engineering Required to
Determine Actual Production
& Installation Requirements

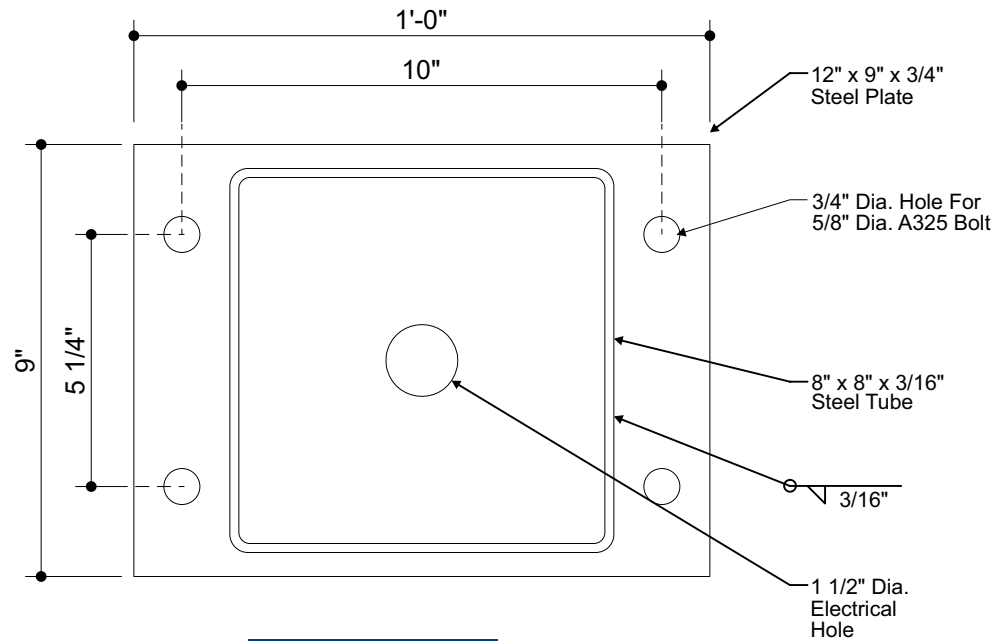


Cabinet Plate Detail
Scale: 3"=1'-0"
Quantity: 1

PARTICULAR CARE SHALL BE TAKEN TO PROVIDE SUFFICIENT PREHEAT OF THE THICKER ELEMENT FOR THE SOUNDNESS OF THE WELD. OTHERWISE, USE 1/4" MIN. WELD.



Prop Rod Detail
Scale: NTS



Match Plate Detail
Scale: 3"=1'-0"
Quantity: 1

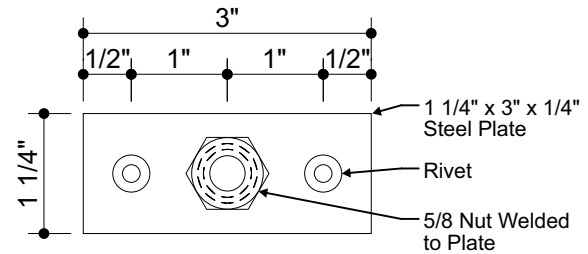
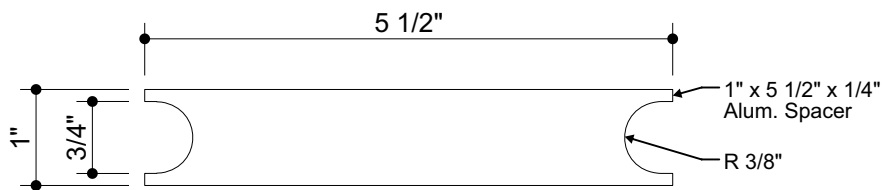
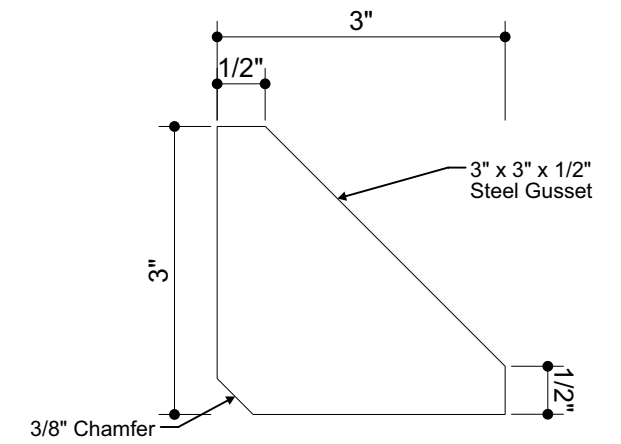


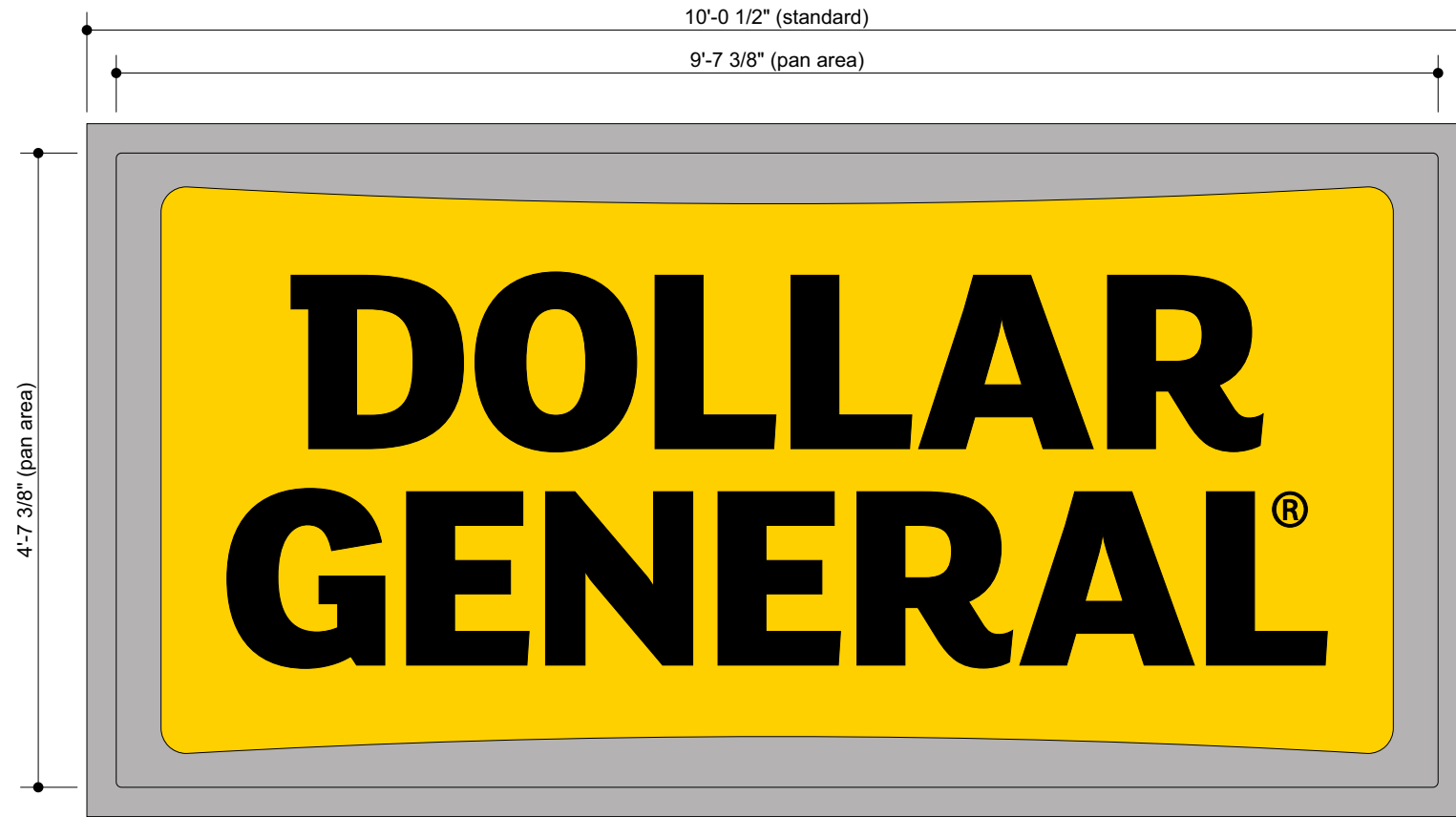
Plate Detail
Scale: 6"=1'-0"
Quantity: 4



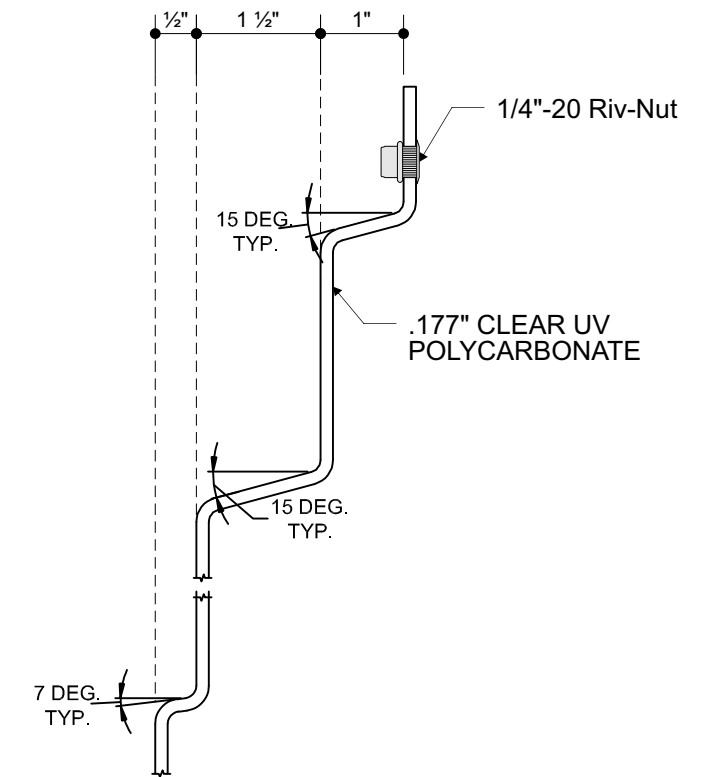
Spacer Detail
Scale: 6"=1'-0"
Quantity: 2



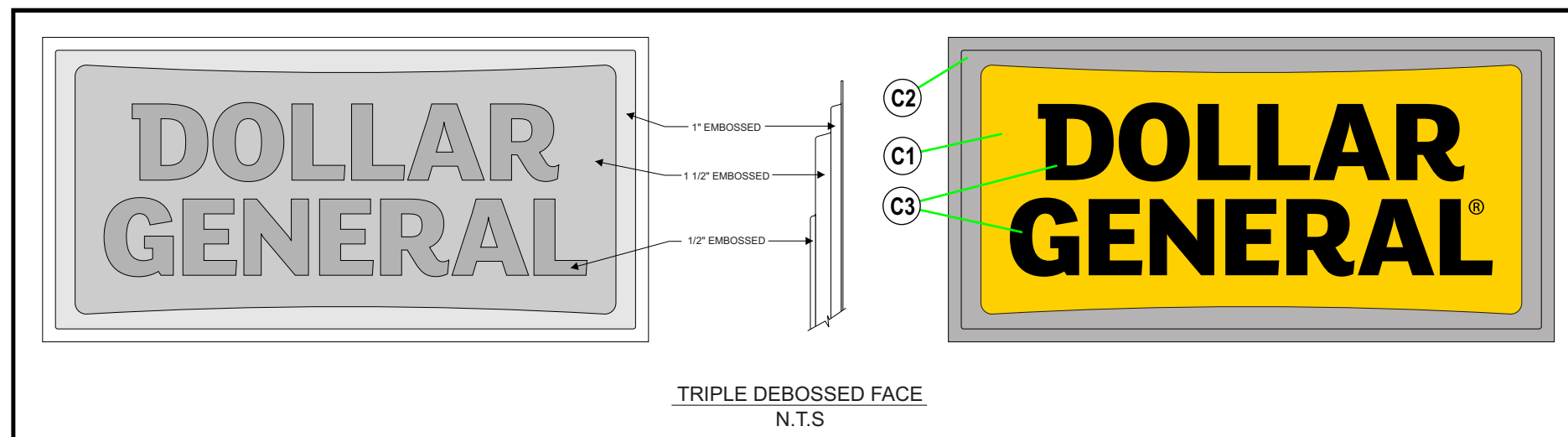
Gusset Detail
Scale: 6"=1'-0"
Quantity: 2



Front View
Scale: 3/4"=1'-0"




Face Embossment Detail
Scale: N.T.S

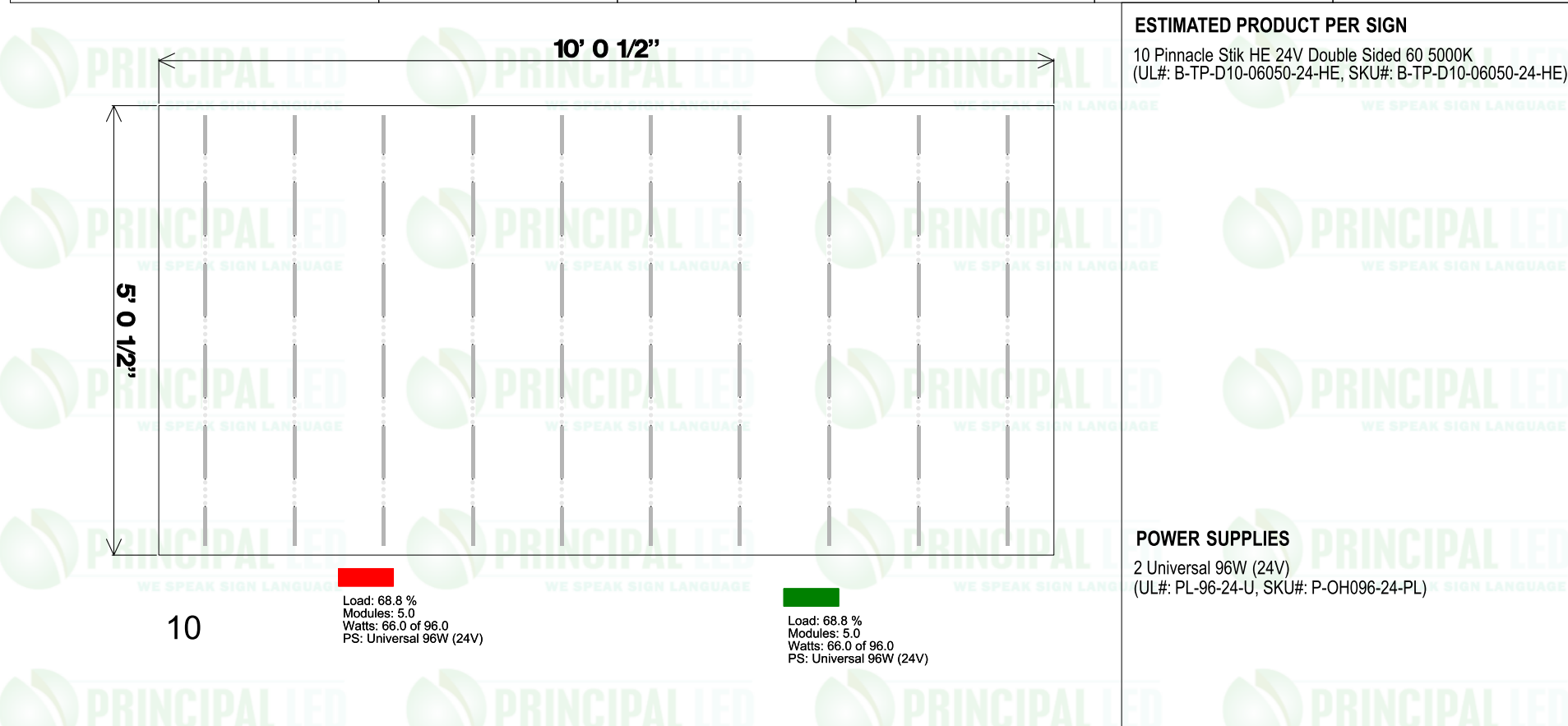


Color Specifications	
C1	PMS 109 C - RGB 253/209/39 CMYK 1/16/100/0
C2	PMS Cool Gray 5 C - RGB 178/178/179 CMYK 32/25/26/0
C3	PMS Black C - RGB 0/0/0 CMYK 75/68/75/90


#	Date	Description
1	07/11/22	Pole Cover Change
2	-	-
3	-	-
4	-	-
5	-	-
6	-	-

Initial	Client Review Status
SS	Allen Industries, Inc. requires that an approved drawing be obtained from the client prior to any production release or production release revision.
-	Client Signature: _____
-	Approval Date: _____

 <p>3490 Venture Dr. San Angelo, Tx. 76905 Ph. 1-325-227-4577 FAX 1-325-227-6841 www.p-led.com</p>	THESE DRAWINGS AND SPECIFICATIONS ARE THE CONFIDENTIAL PROPERTY OF PRINCIPAL LED, LLC. ANY REPRODUCTION OR USE WITHOUT PRIOR WRITTEN CONSENT IS PROHIBITED.				
	Dollar General-111507				
	DATE: 21 Feb 2022	DRAWN BY : Shelby Little	FACE MATERIAL: Polycarb.	ROW SPACING: 12 in	WATTS: 132.00
CABINET DIMENSIONS: 120.5in x 60.5in	SIGN DEPTH: 14.625in	ILLUMINATION Face Lit	AMP DRAW: 3.52 A	MOUNTING BRACKETS: (OPTIONAL) 20	



CAUTION: THIS LAYOUT IS ONLY AN ESTIMATE.
Sign cabinet depth, face color, material, and thickness can vary which may affect the number of modules required. To ensure accuracy, it is recommended that you test light in a darkened environment prior to installing or shipping to the site to ensure the light output is commercially acceptable. Final material estimates are the responsibility of the sign manufacturer. Unless noted in header, layout is based on the use of acrylic face material.



Electric Sign Complies with UL48

THIS SIGN IS INTENDED TO BE INSTALLED IN ACCORDANCE WITH THE REQUIREMENTS OF ARTICLE 600 OF THE NATIONAL ELECTRICAL CODE AND/OR OTHER APPLICABLE LOCAL CODES. THIS INCLUDES PROPER GROUNDING AND BONDING OF THE SIGN.



#	Date	Description	Initial
1	07/11/22	Pole Cover Change	SS
2	-	-	-
3	-	-	-
4	-	-	-
5	-	-	-
6	-	-	-

Client Review Status
Allen Industries, Inc. requires that an approved drawing be obtained from the client prior to any production release or production release revision.

Client Signature: _____ Approval Date: _____