

DESIGN CRITERIA 245-220

LOCATION: US 421 600 ft N of Avery Rd
Erwin, NC
35.353294, -78.6944954
Elev 201 FT

MEANS OF COMPLIANCE

2015 International Building Code
ASCE 7-10

RISK CATEGORY II

WIND DESIGN

VULT 118 mph
VASD 90 mph

WIND EXPOSURE CATEGORY C

SEISMIC DESIGN

IMPORTANCE FACTOR 1

SOIL CLASS D

SDS 0.194 g
SD1 0.137 g

SEISMIC DESIGN CATEGORY C

SOIL CAPACITY 2500 psf

FLOOD ZONE - AREA OF MINIMAL FLOOD HAZARD

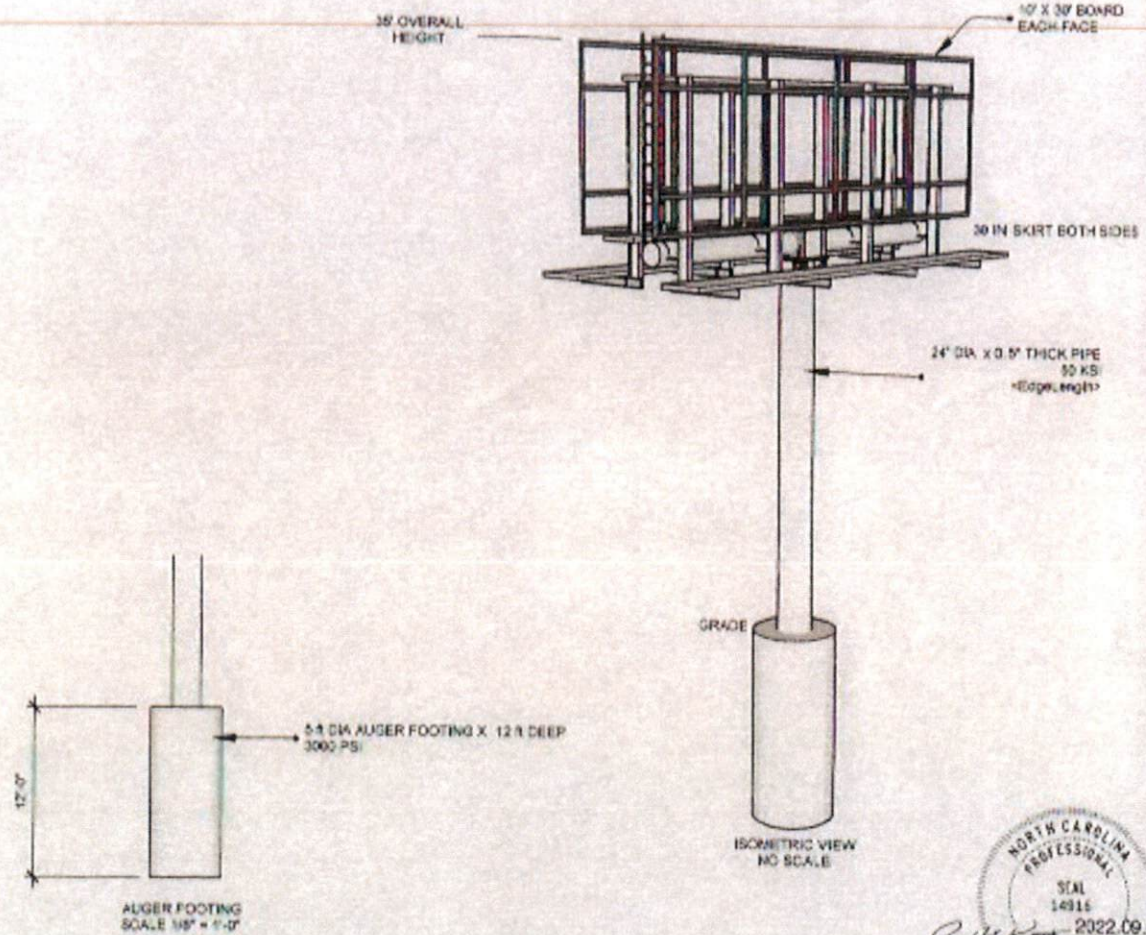
NOTES:

ALL WELDS 3/16 FILLET ALL-AROUND UNLESS NOTED

ALL BOLTS 3/4" A325N

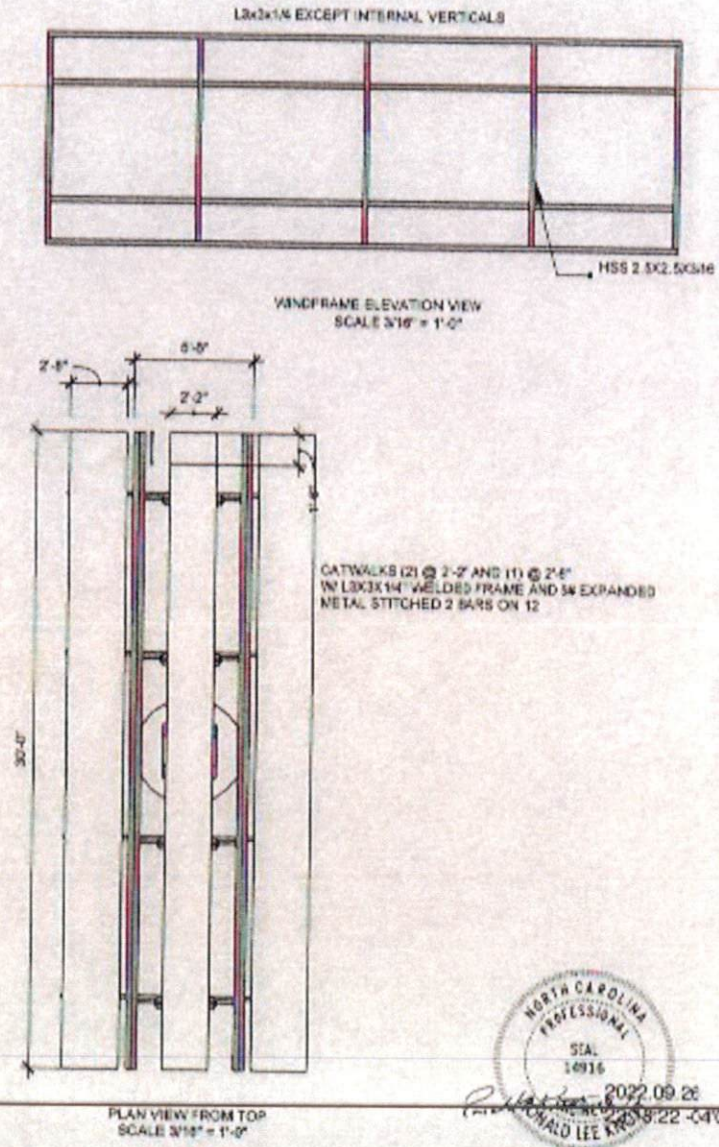
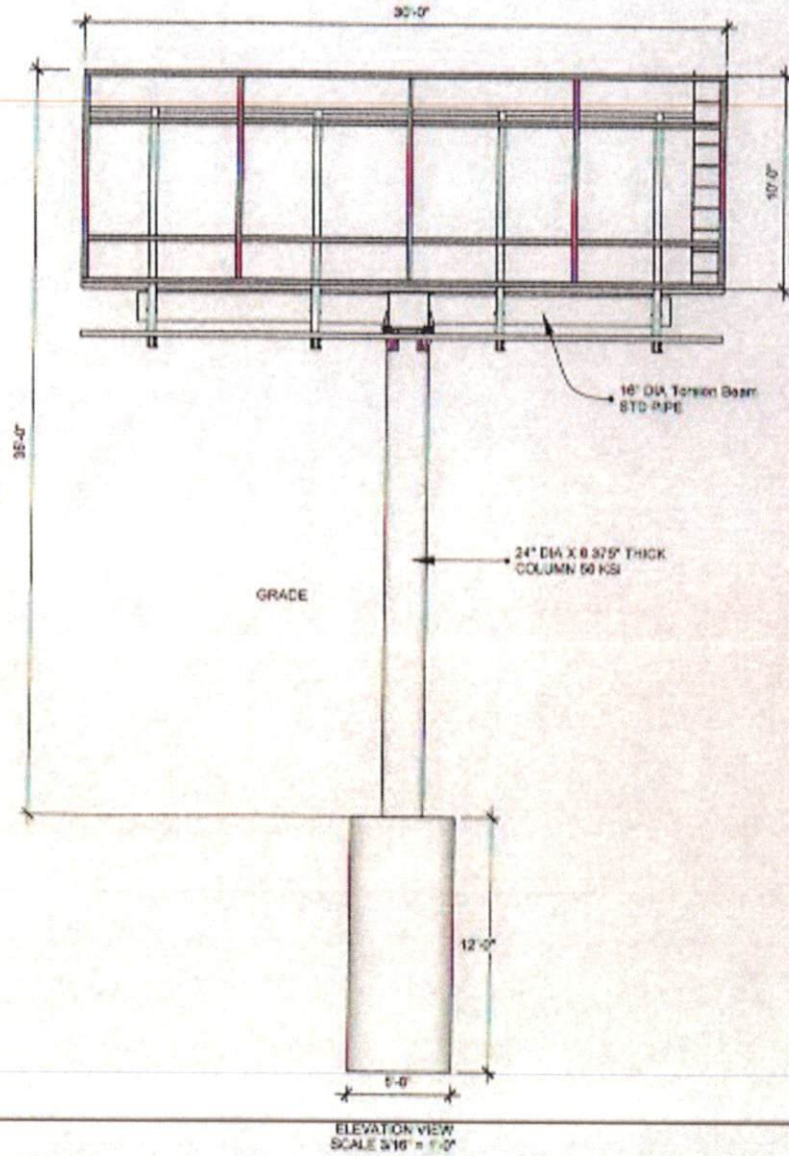
CONCRETE 3000 PSI

PIPES ARE 50 KSI MIN YIELD STRENGTH



NORTH CAROLINA PROFESSIONAL SEAL
SEAL 14916
2022.09.26
RONALD LEE KING
206-0400

| | | | | | | | |
|---|---------------------|------------------------------------|---|-----------------|-----------------|--------------------------|------------|
| RONALD L. KING, P.E. 801 Cricket Knoll Rd Fuquay Varina, NC 27506 | MONOPOLE STEEL SIGN | CLIENT Inter-State Outdoor Inc. | PROJECT US 421 600 ft N of Avery Rd Erwin, NC | DATE 9.26.22 | DRAWN BY RLK | 0000010000 Cover Page | <i>RLK</i> |
|---|---------------------|------------------------------------|---|-----------------|-----------------|--------------------------|------------|



2022 09 26
 SEAL
 14916
 RICHARD LEE KNOX
 PROFESSIONAL ENGINEER

AL

MONROE STEEL BURN
 LICENSED
 US 421 600 ft W of Avery Rd
 Erwin, NC

OWNER
 InnerScale Outdoor Inc
 PO Box 124
 217 North Railroad St
 Erwin, NC

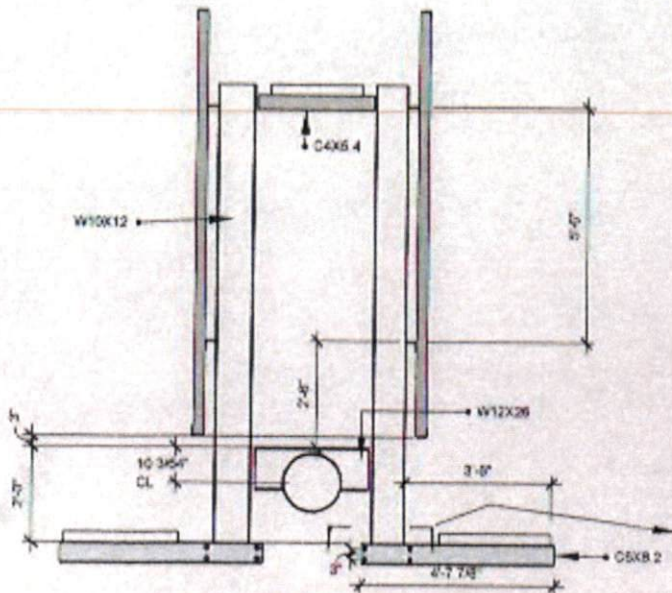
DATE
 9.26.22

PROPOSAL
 Overall Views

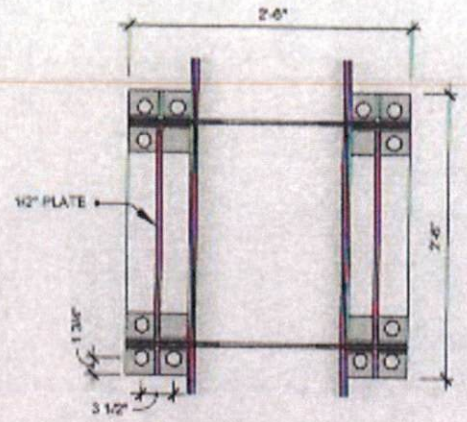
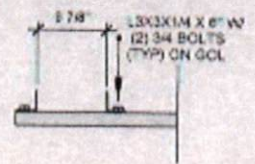
PROJECT
 Rimoldi L. Knott, P.E.
 801 Cricket Knoll Rd
 Fuquay Varina, NC 27526
 (919)417-1962

S

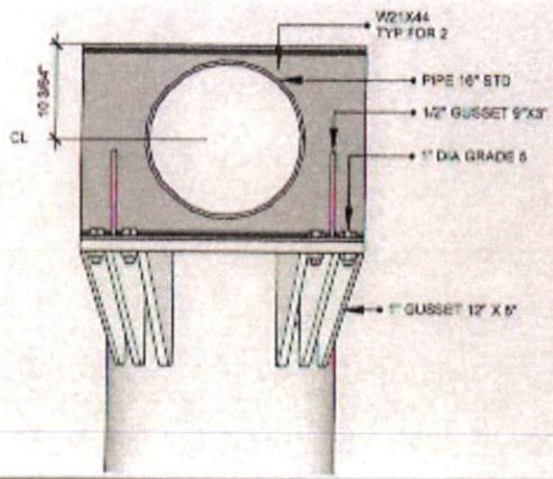
01



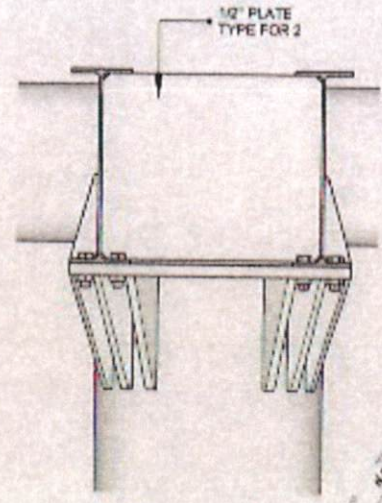
RISER AND SPREADER ELEVATION VIEW
SCALE 3/8" = 1'-0"



PLAN VIEW OF CENTER HUB
W21 TOP FLANGE NOT SHOWN
SCALE 1" = 1'-0"



ELEVATION VIEW CENTER HUB
SCALE 1" = 1'-0"



ELEVATION VIEW CENTER HUB
SCALE 1" = 1'-0"



MONOPOLE STEEL SIGN
105-421-600 R. N. of Avery Rd
Erwin, NC

OWNER
IncoSlate Outdoor Inc.
PO Box 124
212 North Railroad St

DATE
9.26.22

DESCRIPTION
Windflame and Riser

DESIGNER
Donald L. Knott, P.E.
803 Cricket Knoll Rd
Fayetteville, NC 27526
(919)417-1562

S
02