



DESIGN CRITERIA 245-220

LOCATION: US 421 600 ft N of Avery Rd
 Erwin, NC
 35.353294, -78.6944954
 Elev 201 FT

MEANS OF COMPLIANCE

2015 International Building Code
 ASCE 7-10

RISK CATEGORY II

WIND DESIGN

VULT 118 mph
 VASD 90 mph

WIND EXPOSURE CATEGORY C

SEISMIC DESIGN

IMPORTANCE FACTOR 1

SOIL CLASS

SDS 0.194 g
 SD1 0.137 g

SEISMIC DESIGN CATEGORY C

SOIL CAPACITY 2500 psf

FLOOD ZONE - AREA OF MINIMAL FLOOD HAZARD

NOTES:

ALL WELDS 3/16 FILLET ALL-AROUND UNLESS NOTED

ALL BOLTS 3/4" A325N

CONCRETE 3000 PSI

PIPES ARE 50 KSI MIN YIELD STRENGTH

36' OVERALL
 HEIGHT

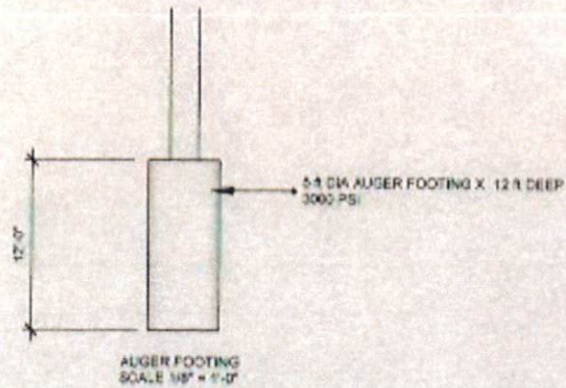
10' X 30' BOARD
 EACH FACE

30 IN SKIRT BOTH SIDES

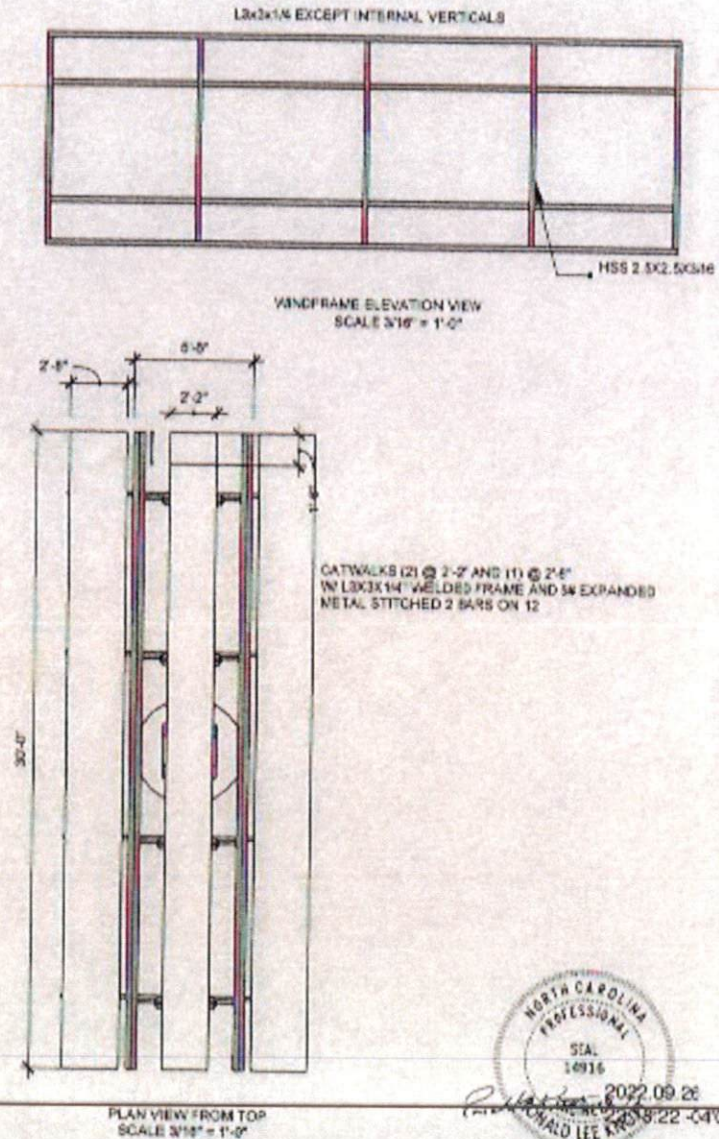
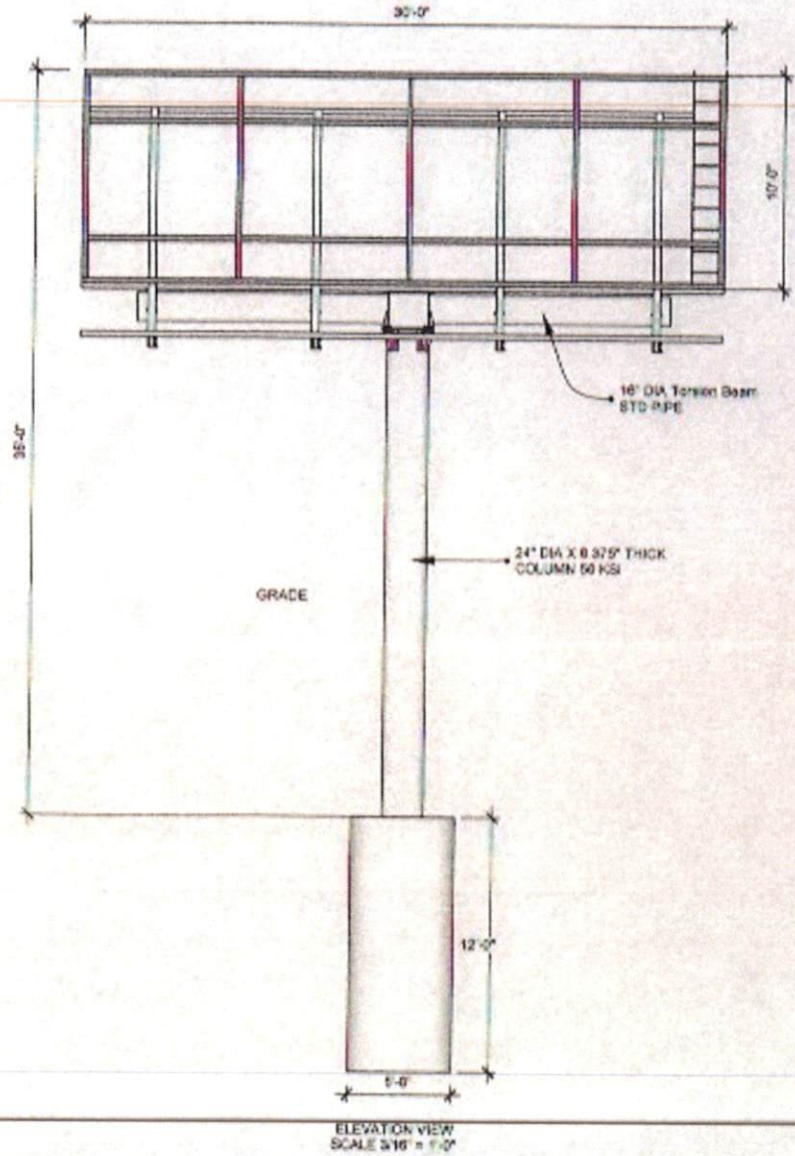
24" DIA. X 0.5" THICK PIPE
 50 KSI
 Edge Length

GRADE

ISOMETRIC VIEW
 NO SCALE



Ronald L. King, P.E. 801 Cricket Knoll Rd Fuquay Varina, NC 27506	MONOPOLE STEEL SIGN	CLIENT Inter-State Outdoor Inc.	PROJECT US 421 600 ft N of Avery Rd Erwin, NC	SCALE 9/26/22	DESIGNED BY RLK	DATE 2022.09.26	COVER PAGE Cover Page	
---	----------------------------	---	--	-------------------------	---------------------------	---------------------------	---------------------------------	--



2022 09 26
 RONALD LEE KNOTT

AL

MONROE STEEL BURN
 LICENSE
 US 421 600 ft N of Avery Rd
 Erwin, NC

01987
 InnerScale Outdoor Inc
 PO Box 124
 217 North Railroad St

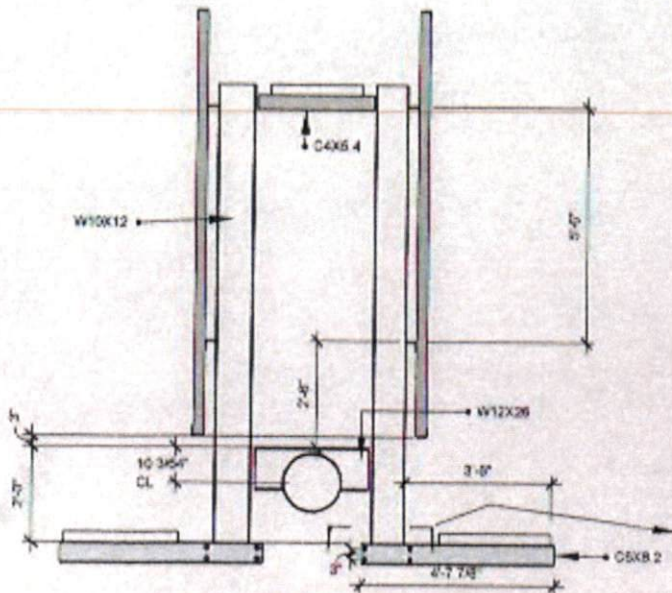
DATE
 9.26.22

DESCRIPTION
 Overall Views

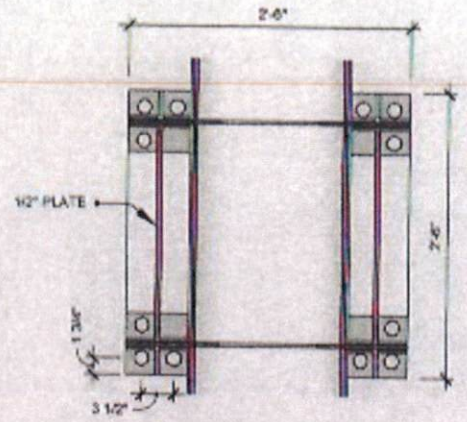
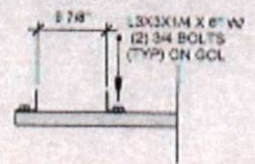
DRAWN BY
 Ronald L. Knott, P.E.
 801 Cricket Knoll Rd
 Fuquay Varina, NC 27526
 (919)417-1962

S

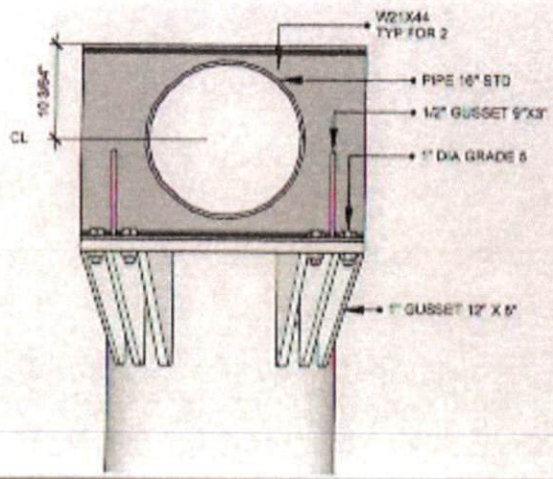
01



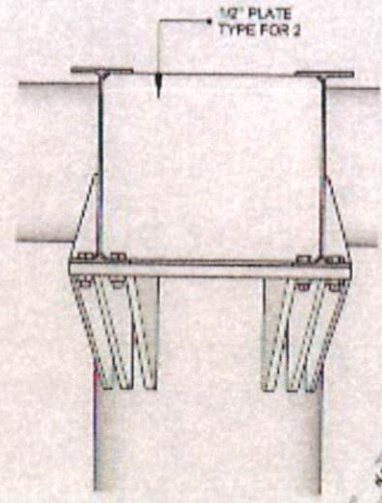
RISER AND SPREADER ELEVATION VIEW
SCALE 3/8" = 1'-0"



PLAN VIEW OF CENTER HUB
W21 TOP FLANGE NOT SHOWN
SCALE 1" = 1'-0"



ELEVATION VIEW CENTER HUB
SCALE 1" = 1'-0"



ELEVATION VIEW CENTER HUB
SCALE 1" = 1'-0"



MONOPOLE STEEL SIGN
105-421-600 R. N. of Avery Rd
Erwin, NC

OWNER
IncoSlate Outdoor Inc.
PO Box 124
212 North Railroad St

DATE
9.26.22

DESCRIPTION
Windflame and Riser

DESIGNER
Donald L. Knott, P.E.
803 Cricket Knoll Rd
Fayetteville, NC 27526
(919) 417-1562

S
02