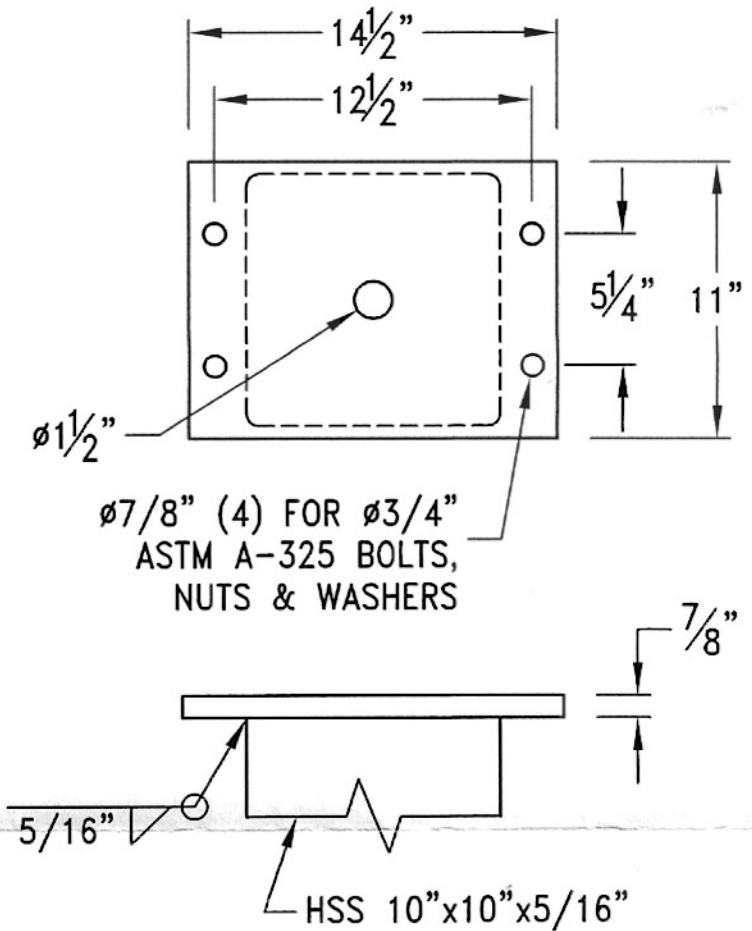


SIGN MOUNTING PLATE DETAIL
7/8" ASTM A-36 STEEL



DESIGN WIND LOAD:
Based on the North Carolina Building Code (2015 IBC) using Risk Category II, Exposure C and 130 mph wind speed.

- FOUNDATION DESIGN NOTES:**
- Concrete shall have a minimum compressive strength of 3000 PSI at 28 days.
 - Caisson footing designed using a soil bearing force of 150 PSF per foot Lateral. If this soil condition does not exist, it is the Erector's responsibility to have a new base designed for the existing soil conditions by a Licensed Engineer.



SITE: Dollar General
Location No. 24157
TBD West Main Street
Albemarle, North Carolina 28001

REV	DATE	DESCRIPTION	APPROVED
A	12 Jul 22	RELEASED FOR PERMITTING	J. HOGAN
Robert-James & Associates, Inc. 12255 West 187th Street, Mokena Illinois 60448-9737 phone: 708-479-8385 fax: 708-479-8395 email: rja37@comcast.net			
TITLE 20'-0" OAH DIRECT BURY SINGLE POLE FOR 5'-0 1/2" x 10'-0 1/2" ID SIGN			
DRAWN BY	A. KLOTZKE	DATE	12 Jul 22
CHECKED BY	J. HOGAN	DATE	12 Jul 22
SCALE	NONE	DRAWING NUMBER	2207069
SHEET	1 OF 1	REV.	A