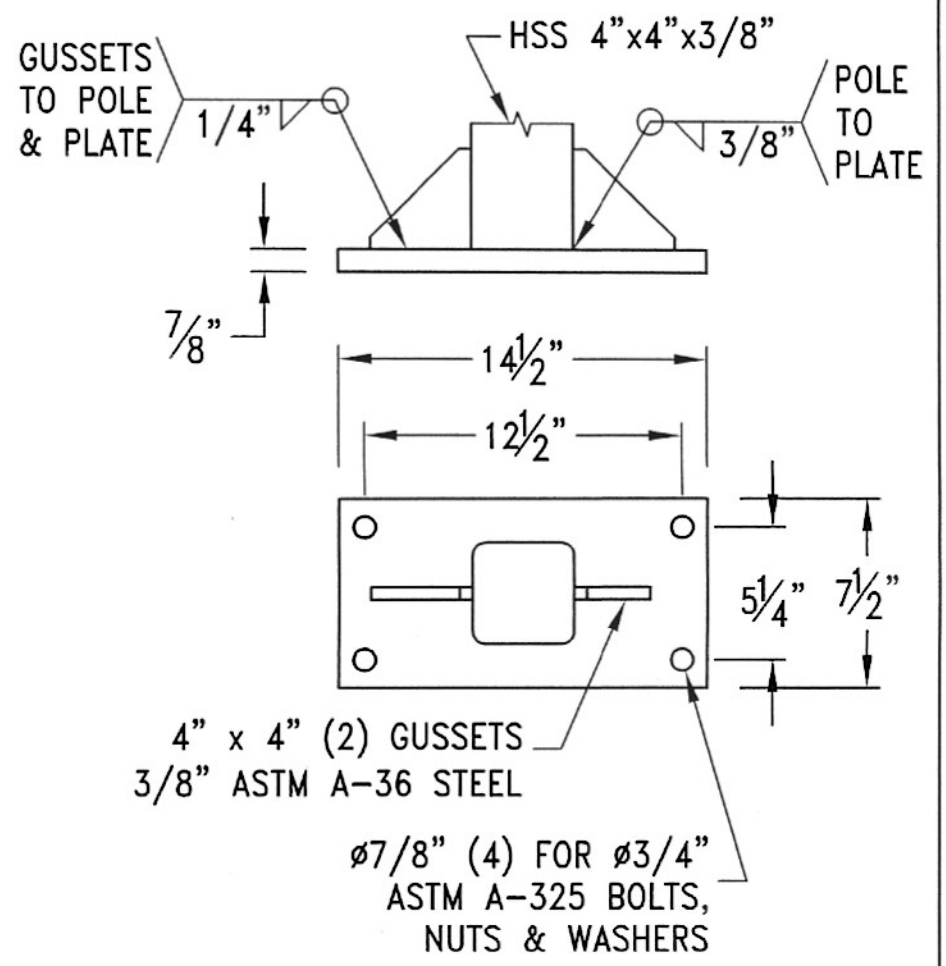
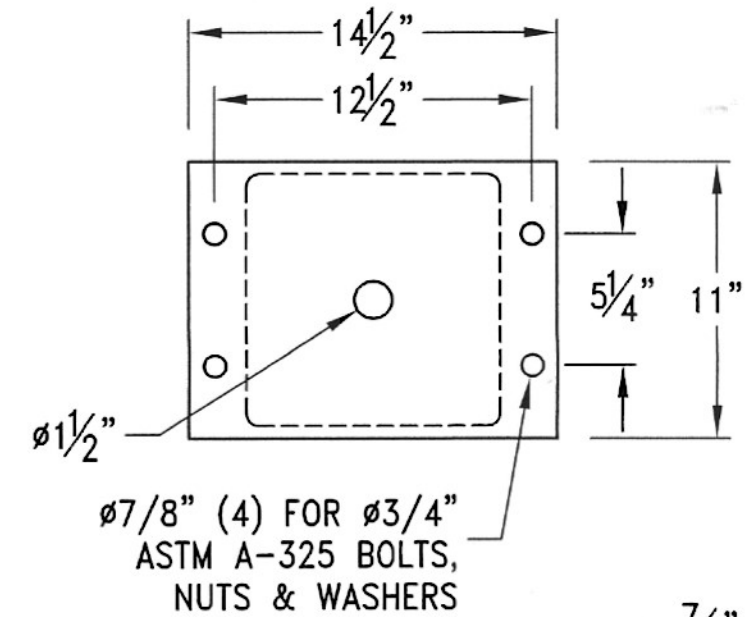
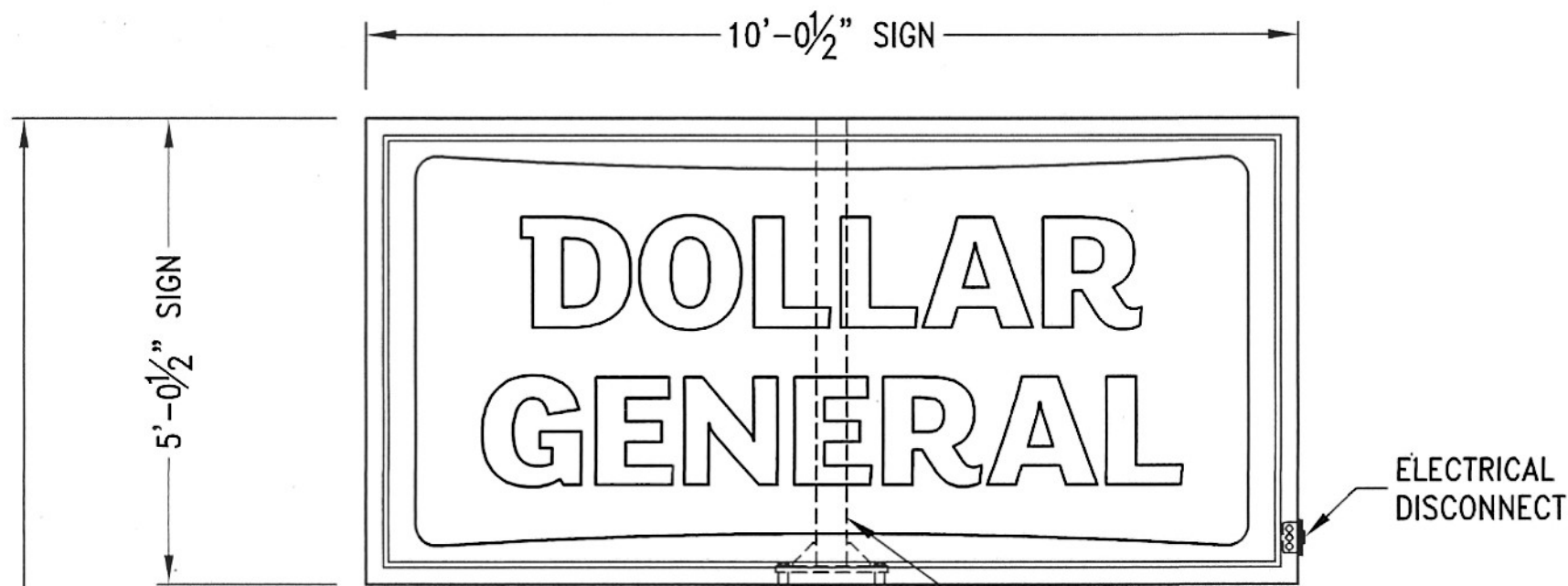


**PLAN VIEW**  
QTY. CONCRETE: 2.0 CU. YDS.



**SIGN MOUNTING PLATE DETAIL**  
7/8" ASTM A-36 STEEL



**POLE TOP PLATE DETAIL**  
7/8" ASTM A-36 STEEL

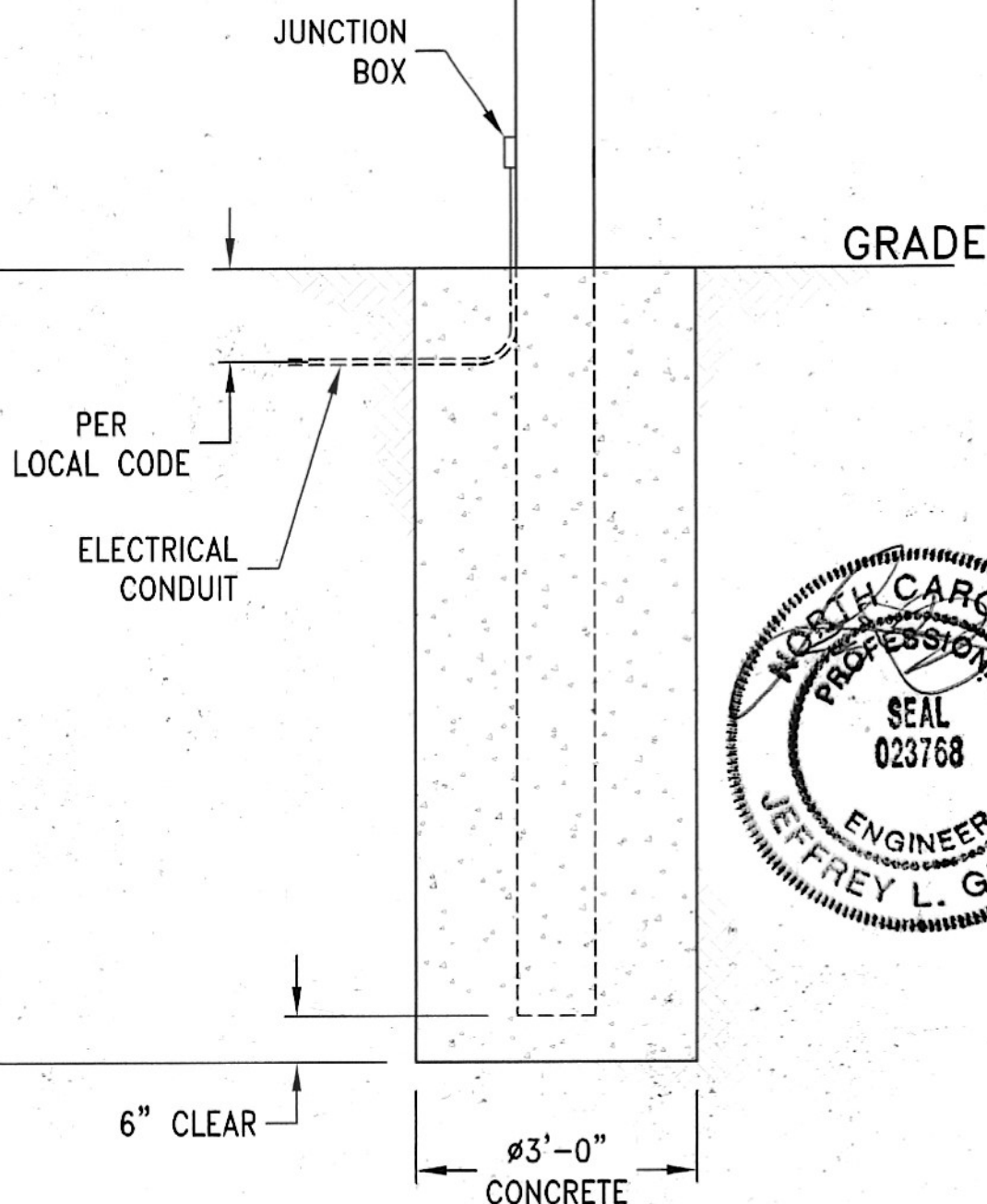


HSS 10" x 10" x 5/16"  
ASTM A-500 Gr. B  
EMBEDDED IN FOOTING TO  
WITHIN 6" OF BOTTOM TO  
CREATE CONCRETE COVER  
UNDER POLE

20'-0" O. A. H.

14'-11 1/2"

8'-6" DEPTH CONCRETE



**ELEVATION VIEW**

**DESIGN WIND LOAD:**

Based on the North Carolina Building Code (2015 IBC) using Risk Category II, Exposure C and 130 mph wind speed.

**FOUNDATION DESIGN NOTES:**

- Concrete shall have a minimum compressive strength of 3000 PSI at 28 days.
- Caisson footing designed using a soil bearing force of 150 PSF per foot Lateral. If this soil condition does not exist, it is the Erector's responsibility to have a new base designed for the existing soil conditions by a Licensed Engineer.



SITE: Dollar General  
Location No. 24157  
TBD West Main Street  
Albemarle, North Carolina 28001

REV	DATE	DESCRIPTION	APPROVED
A	12 Jul 22	RELEASED FOR PERMITTING	J. HOGAN
<b>Robert-James &amp; Associates, Inc.</b> 12255 West 187th Street, Mokena Illinois 60448-9737 phone: 708-479-8385 fax: 708-479-8395 email: rja37@comcast.net			
<b>TITLE</b> 20'-0" OAH DIRECT BURY SINGLE POLE FOR 5'-0 1/2" x 10'-0 1/2" ID SIGN			
DRAWN BY	A. KLOTZKE	DATE	12 Jul 22
CHECKED BY	J. HOGAN	DATE	12 Jul 22
SCALE	NONE	DRAWING NUMBER	2207069
SHEET	1 OF 1	REV.	A