



Date: 6/22/2022
Revision: 1

ORDER #

FABRICATION APPROVAL FORM

CUSTOMER: RELIANT
PHONE NUMBER: 407-739-8652
PROJECT: SPRING LAKE, NC
SALESPERSON: DON
DESIGNER: JO

LED LAYOUT REQ. Y / N /
UL CERTIFICATION Y / N /
CRATE Y / N /

SIGN TYPE : Front Lit Channels

DIMENSIONS : See Drawing

COLORS:

CABINET: N/A
TRIM CAP: Midnight Blue
RETURNS: White
RACEWAY COLOR: SW 6621
BACKER COLOR: N/A
POLE COLOR: N/A
NOTES:

FACES: Acrylic with Lime Green Translucent Applied

LAMINATE: Gloss

ILLUMINATION TYPE: LED
LED COLORS: White

MOUNTING METHOD: Raceway

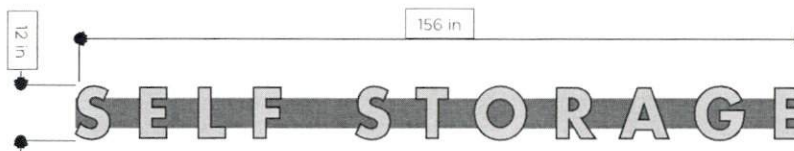
ADDITIONAL NOTES:

DOOR VINYL AS SHOWN
910-496-1894

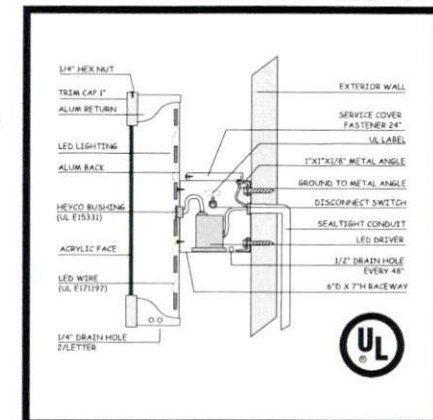
CONTACT NAME: JAMIE BROOKS

ADDRESS:
14396 NC-210 S
SPRING LAKE, NC 28390

Install P/U Ship Del. OS



CROSS-SECTION



FILE PATH: P:\R\Reliant\Midgard\Spring Lake, NC

PLEASE READ PROOF CAREFULLY. ONCE APPROVED, PINNACLE CUSTOM SIGNS WILL NOT BE FINANCIALLY RESPONSIBLE FOR MISSPELLINGS OR INCORRECT LAYOUTS.
Disclaimer: Due to factory color calibration on computer monitors, the colors displayed are not guaranteed to be the actual colors. In order to approve the actual colors, you will need to request a hard-copy proof that will be printed on the actual material used for your project for an additional fee.
Please Note: Our installers are not certified electricians, and therefore, are not responsible for installing the electricity to your new sign. We will mount your sign to the building, but you may require an electrician to connect the electricity to it after installation.

