



627 LAURINBURG ROAD  
 RAEFORD, NC 28376  
 (910) 875-6121  
 (800) 622-2431  
 (910) 875-7100 FAX  
 INFO@PARISHSIGNS.COM  
 WWW.PARISHSIGNS.COM

A Sign of Excellence

**SPECIFICATIONS**

**TYPE OF SIGNAGE** INTERNALLY ILLUMINATED CHANNEL LETTERS MOUNTED TO RACEWAY  
**TYPE OF FACES** FLAT PLEXIGLAS FACES

**FACE MATERIAL/COLORS** WHITE PLEXIGLAS  
**CABINET COLORS/MATERIALS** CONSTRUCTED OF ALUMINUM

**TYPE OF ILLUMINATION** LED  
**RETURN COLORS** BLACK

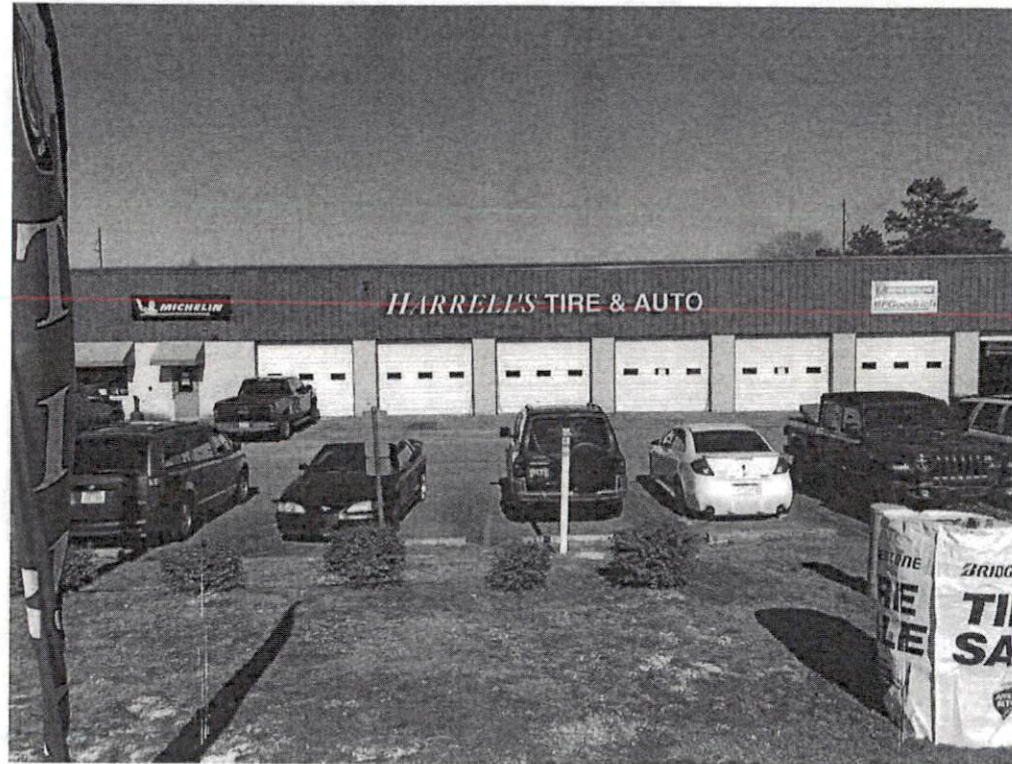
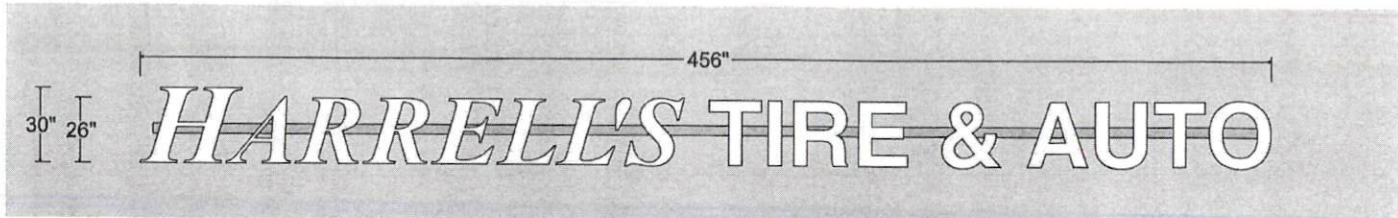
**LED COLORS** WHITE  
**TRIM COLORS** BLACK

**MISCELLANEOUS** WIRED TO UL SPECIFICATIONS BEARING UL LABEL  
**RACEWAY COLORS** TBD  
 PAINTED TO MATCH FASCIA

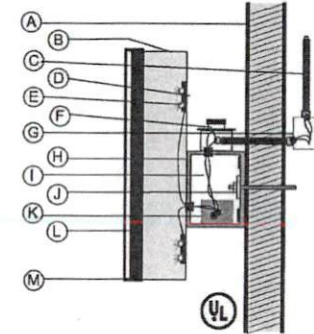
**TYPE FONTS**  
**TIMES HELVETICA**

COLOR AND CLARITY MAY VARY FROM DRAWING

**FACE VIEW OF SIGNAGE WITH DIMENSIONS**



**RACEWAY MOUNTED**



- A - WALL
- B - CHANNEL LETTER RETURNS
- C - WIRING CONDUIT FROM PRIMARY CIRCUIT
- D - LED MODULE
- E - LED
- F - DISCONNECT SWITCH
- G - JUNCTION BOX TO CONNECT TO PRIMARY WIRING
- H - WIRING FROM CL POWER SUPPLY
- I - WIRING FROM POWER SUPPLY TO DISCONNECT SWITCH
- J - 3/8" ANCHORS EMBEDDED MIN 5" TO WALL
- K - POWER SUPPLY
- L - PLEXIGLAS FACES
- M - TRIMCAP

NOTES: IT IS THE CUSTOMER'S RESPONSIBILITY TO DOUBLE CHECK SPELLING, GRAMMER, LAYOUT AND DESIGN ON ALL PROOFS. IF ERRORS ARE APPROVED ALL ORIGINAL AND REPRINT COSTS WILL BE PAYED BY THE CUSTOMER.

JOB NAME: Harrell's Auto Service - RW  
 LOCATION: Raeford, NC  
 CUSTOMER: Brandon  
 SALESMAN: Michael Bassett  
 DRAWING #: 022822-HASRW  
 FILENAME: HarrellsAutoService-RW.fs

DESIGNER: Phil DATE: 02/28/22  
 REVISIONS: Phil 02/28/22A  
 Phil 03/01/22

**COPY RIGHTS RESERVED**  
 THIS DRAWING IS THE PROPERTY OF PARISH SIGN & SERVICE INCORPORATED ANY REPRODUCTION, COPYING, EXPOSING AND/OR ALLOWING ANYONE TO MANUFACTURE THIS SIGN IS PROHIBITED WITHOUT WRITTEN PERMISSION FROM PARISH SIGN & SERVICE INCORPORATED.



CUSTOMER'S APPROVAL  
 SIGNATURE \_\_\_\_\_ DATE \_\_\_\_\_