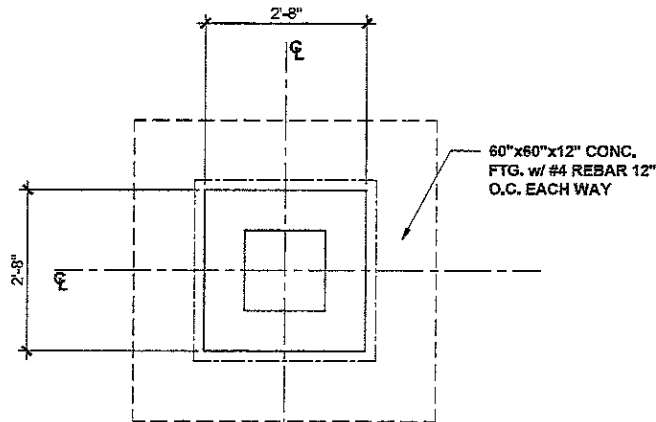


**FRONT ELEVATION**

SCALE: 1/2" = 1'-0"



**FOUNDATION PLAN**

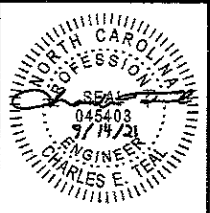
SCALE: 1/2" = 1'-0"

**NOTES:**

1. CONSTRUCT COLUMN FROM 8" CMU, UNO.
2. PROVIDE LADDER WIRE EVERY OTHER COURSE.
3. SOLID GROUT COLUMN CORNERS W/ (2) #4 REBAR.
4. EMBED COLUMN REBAR 12" INTO BASE FOOTING.
5. PROVIDE MINIMUM 2" C.C. FOR ALL REBAR
6. ALL MASONRY ALLOWS FOR 2" OF STONE AND 4" OF BRICK ON ALL SIDES, AS NOTED.
7. CONCRETE COMPRESSIVE STRENGTH TO BE 3ksi MIN.

**ENGINEER OF RECORD**

JDS Consulting, PLLC  
 DESIGN • ENGINEERING • SURVEYING • ENERGY  
 8608 'D' JERSEY COURT  
 RALEIGH, NC 27617  
 FIRM LIC. NO: P-0961  
 PROJECT REFERENCE: 21901945



P-0961



JDS Consulting, PLLC, 8608 'D' JERSEY CT, RALEIGH, NC 27617 919 810 1675  
 jds@jdsconsulting.net, WWW.JDSCONSULTING.NET  
 JDS Consulting, PLLC OR ITS EMPLOYEES, CONTRACTORS, AGENTS OR PLAN REVIEWERS  
 OR CONTRACTORS OR BY OTHERS, ARE PROVIDED TO CLIENT FOR THE PROJECT  
 SHEET, DIMENSIONS SHALL GOVERN OVER SCALE AND LOCAL SHALL  
 GOVERN OVER DIMENSIONS ON DRAWINGS

CLIENT: GRAND ENTRANCE GROUP

PROJECT: BIRCHWOOD GROVE ENTRY MONUMENT

DRAWN BY: FUQUAY VARINA, NORTH CAROLINA

SCALE: 1/4" = 1'-0" FOR LAYOUT PAPER, 1/2" = 1'-0" FOR 22x34 PAPER, OR AS NOTED

PROJECT NO.: 21901945

DATE: 09/13/2021 DRAWN BY: TDE

COLUMN ELEVATION AND FOUNDATION

2.0