

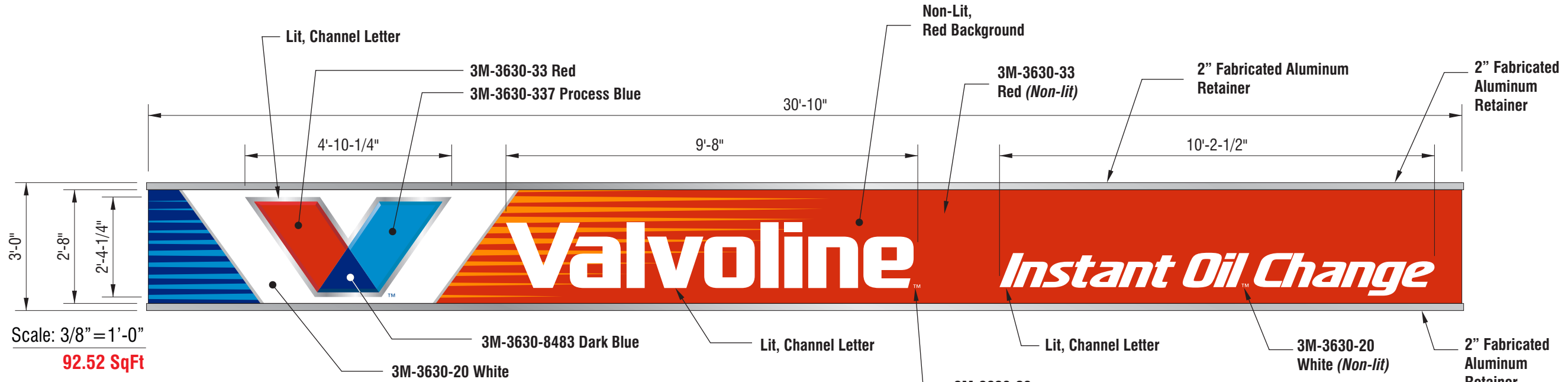
**A** Reference drawing #KS2102011A for Decoration and Specifications

**B** Reference drawing #KS2102011B for Decoration and Specifications

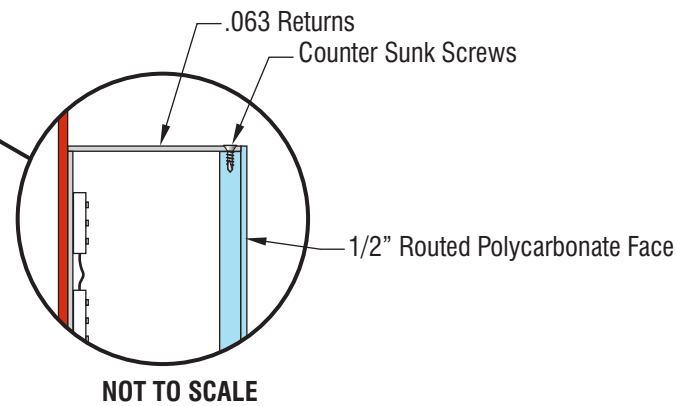
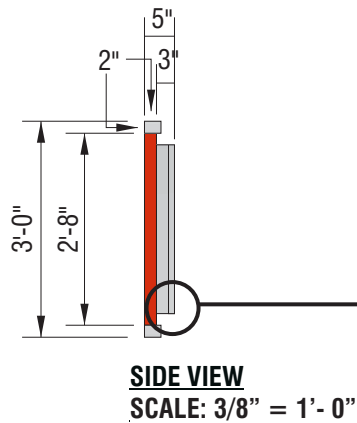




**PLAN VIEW**



**SIGN = 3'-0" x 30'-10" - 92.52 Sq.Ft.**  
**"V" = 2'-4 1/8" x 4'-10 1/4" - 11.35 Sq.Ft.**  
**"VALVOLINE" = 1'-6 1/2" x 9'-8" - 14.88 Sq.Ft.**  
**"I.O.C" = 1'-0" x 10'-2 1/2" - 10.2 Sq.Ft.**



**LIGHTING**

LETTERS WILL BE INTERNALLY LIT WITH WHITE LED'S (K-2 SUMMIT ILT-1X3-W65-160). LED'S WILL BE TURNED ON AND OFF BY THE USE OF A PHOTOCELL.

**ELECTRICAL**

U.L. APPROVED  
 P  
 120 VOLTS, 4.00 AMPS

- 3M 3630-33 RED
- 3M 3630-337 PROCESS BLUE
- 3M 3630-8483 DARK BLUE
- 3M 3630-20 WHITE

**V-LOGO**

CHANNEL LETTER W/  
 3/16" THK. CLEAR ACRYLIC  
 W/ 2ND SURFACE VINYL DECORATION:  
 3630-33 RED - LEFT LEG  
 3630-337 PROCESS BLUE - RIGHT LEG  
 3630-8483 DARK BLUE BOTTOM TRIANGLE (PMS 280)  
 RETURNS WILL BE .063 ALUMINUM PAINTED AKZO NOBEL BRUSHED ALUMINUM.  
 ROUTED .090 ALUMINUM RETAINER W/ WELDED .063" x 1 1/2" RETURN PAINTED AKZO NOBEL BRUSHED ALUMINUM.

**VALVOLINE AND IOC LETTERS**

CHANNEL LETTERS W/  
 1/2" THK. WHITE POLYCARBONATE (7328). RETURNS WILL BE .063 ALUMINUM PAINTED AKZO NOBEL BRUSHED ALUMINUM. THE BREAK IN THE LETTER "I" WILL BE 3630-33 RED VINYL (OPAQUED OUT).

**BACKGROUND**

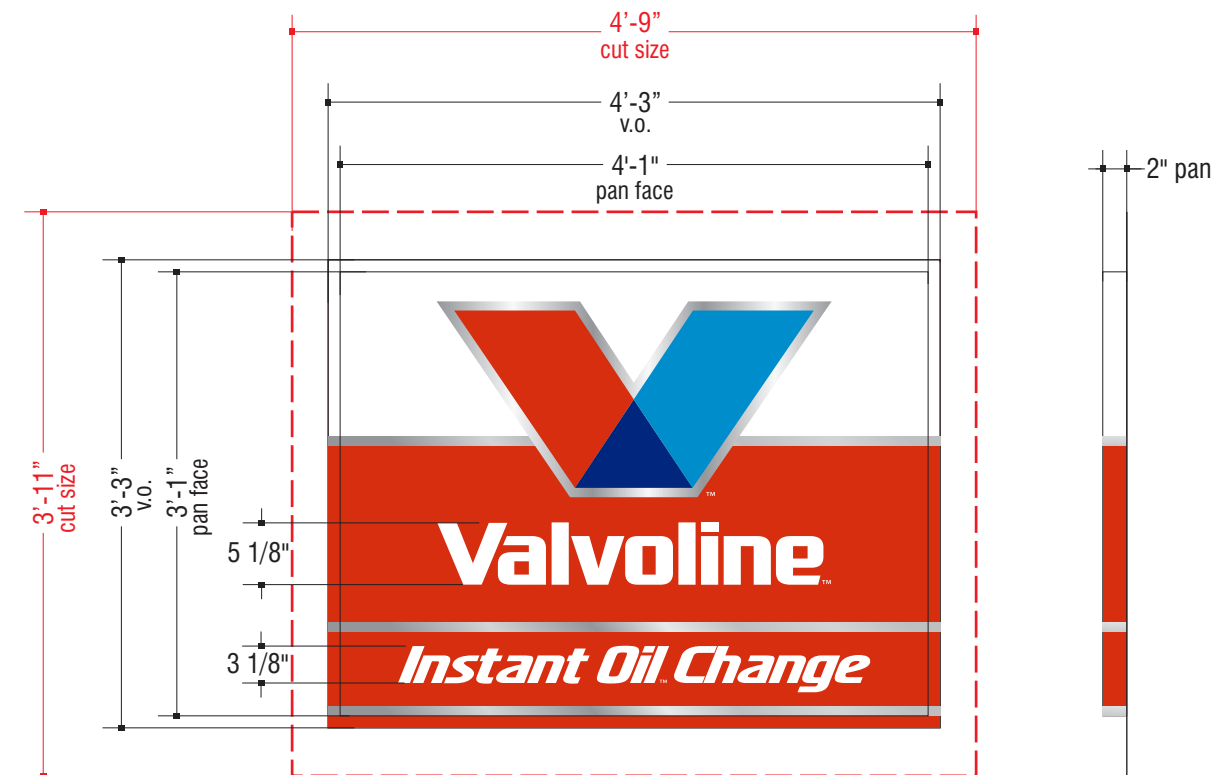
2" DEEP, FABRICATED .090 ALUMINUM PANEL THAT WILL BE PAINTED TO MATCH AKZO NOBEL BRUSHED ALUMINUM AND 3630-33 RED. FLAT "@ COPY 1ST SURFACE VINYL DECORATION (OPAQUE):  
 7725-20 3M MATTE WHITE

REVISIONS:

A	-
B	-
C	-
D	-
E	-
F	-
G	-
H	-

INITIALS & DATE:

-	-
-	-
-	-
-	-
-	-
-	-
-	-
-	-



**D/F Cabinet Reface**

Scale: 3/4" = 1'-0"

3/16" CLEAR **PAN FORMED** POLYCARBONATE FACES BACKSPRAYED WHITE WITH 2ND SURFACE VINYL DECORATION:  
 ALL COPY - WHITE  
 RIGHT LOGO LEG - 3M 3630-337 PROCESS BLUE  
 BOTTOM LOGO TRIANGLE - 3M 3630-8483 DARK BLUE  
 LEFT LOGO LEG, LOWER B/G - 3M 3630-33 RED  
 'V' OUTLINE & STRIPES - 3M 3630-121 SILVER

- 3M 3630-33 RED
- 3M 3630-337 PROCESS BLUE
- 3M 3630-8483 DARK BLUE
- 3M 3630-121 SILVER

REVISIONS:

A	-
B	-
C	-
D	-
E	-
F	-
G	-
H	-

INITIALS & DATE:

-	-
-	-
-	-
-	-
-	-
-	-
-	-
-	-

This is an original unpublished drawing submitted for use in connection with a project being planned for you by Kieffer Holding Co. It is not to be reproduced, copied or exhibited in any fashion without the written permission of Kieffer Holding Company.

**For Contact Information**  
visit us at [KiefferStarlite.com](http://KiefferStarlite.com)

**KS2102011B**