




**A** Reference drawing #KS2102011A for Decoration and Specifications

**B** Reference drawing #KS2102011B for Decoration and Specifications

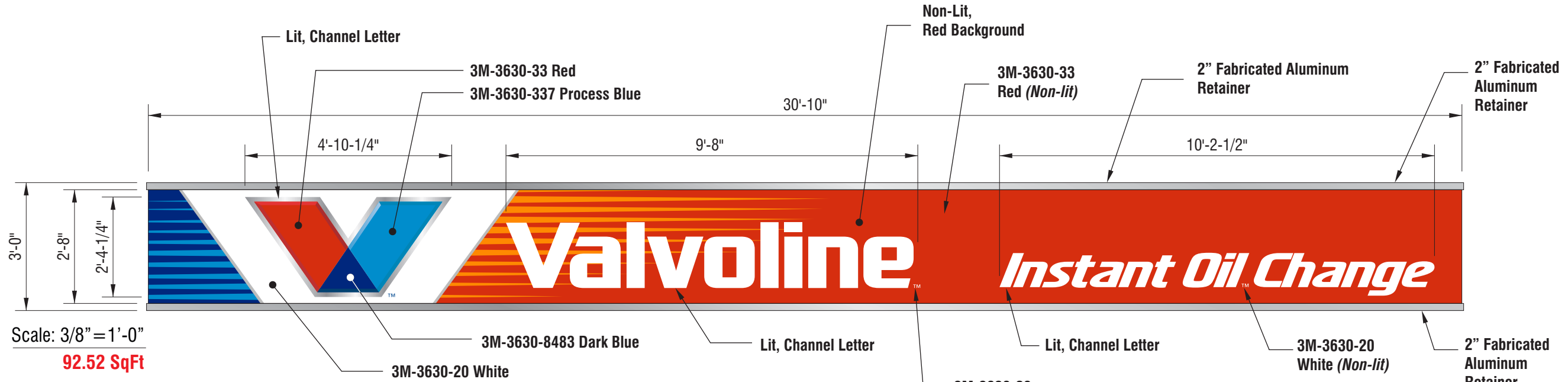
Approved: 12.07.21 

Approved 12.07.21

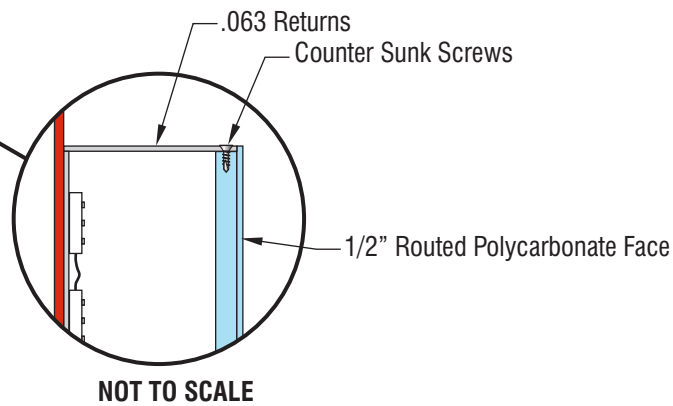
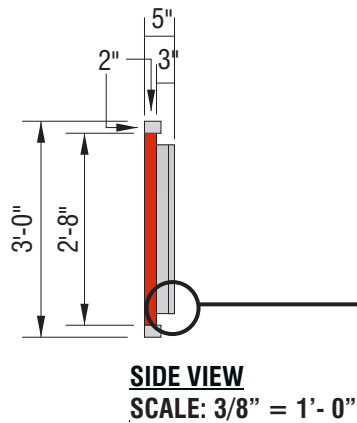
LED Channel Letter Set on Background Panel



**PLAN VIEW**



**SIGN = 3'-0" x 30'-10" - 92.52 Sq.Ft.**  
**"V" = 2'-4 1/8" x 4'-10 1/4" - 11.35 Sq.Ft.**  
**"VALVOLINE" = 1'-6 1/2" x 9'-8" - 14.88 Sq.Ft.**  
**"I.O.C" = 1'-0" x 10'-2 1/2" - 10.2 Sq.Ft.**



**LIGHTING**

LETTERS WILL BE INTERNALLY LIT WITH WHITE LED'S (K-2 SUMMIT ILT-1X3-W65-160). LED'S WILL BE TURNED ON AND OFF BY THE USE OF A PHOTOCELL.

**ELECTRICAL**

U.L. APPROVED  
P  
120 VOLTS, 4.00 AMPS

- 3M 3630-33 RED
- 3M 3630-337 PROCESS BLUE
- 3M 3630-8483 DARK BLUE
- 3M 3630-20 WHITE

**V-LOGO**

CHANNEL LETTER W/  
3/16" THK. CLEAR ACRYLIC  
W/ 2ND SURFACE VINYL DECORATION:  
3630-33 RED - LEFT LEG  
3630-337 PROCESS BLUE - RIGHT LEG  
3630-8483 DARK BLUE BOTTOM TRIANGLE (PMS 280)  
RETURNS WILL BE .063 ALUMINUM PAINTED AKZO NOBEL BRUSHED ALUMINUM.  
ROUTED .090 ALUMINUM RETAINER W/ WELDED .063" x 1 1/2" RETURN PAINTED AKZO NOBEL BRUSHED ALUMINUM.

**VALVOLINE AND IOC LETTERS**

CHANNEL LETTERS W/ 1/2" THK. WHITE POLYCARBONATE (7328). RETURNS WILL BE .063 ALUMINUM PAINTED AKZO NOBEL BRUSHED ALUMINUM. THE BREAK IN THE LETTER "I" WILL BE 3630-33 RED VINYL (OPAQUED OUT).

**BACKGROUND**

2" DEEP, FABRICATED .090 ALUMINUM PANEL THAT WILL BE PAINTED TO MATCH AKZO NOBEL BRUSHED ALUMINUM AND 3630-33 RED. FLAT "@ COPY 1ST SURFACE VINYL DECORATION (OPAQUE): 7725-20 3M MATTE WHITE

REVISIONS:

A	-
B	-
C	-
D	-
E	-
F	-
G	-
H	-

INITIALS & DATE:

This is an original unpublished drawing submitted for use in connection with a project being planned for you by Kieffer Holding Co. It is not to be reproduced, copied or exhibited in any fashion without the written permission of Kieffer Holding Company.

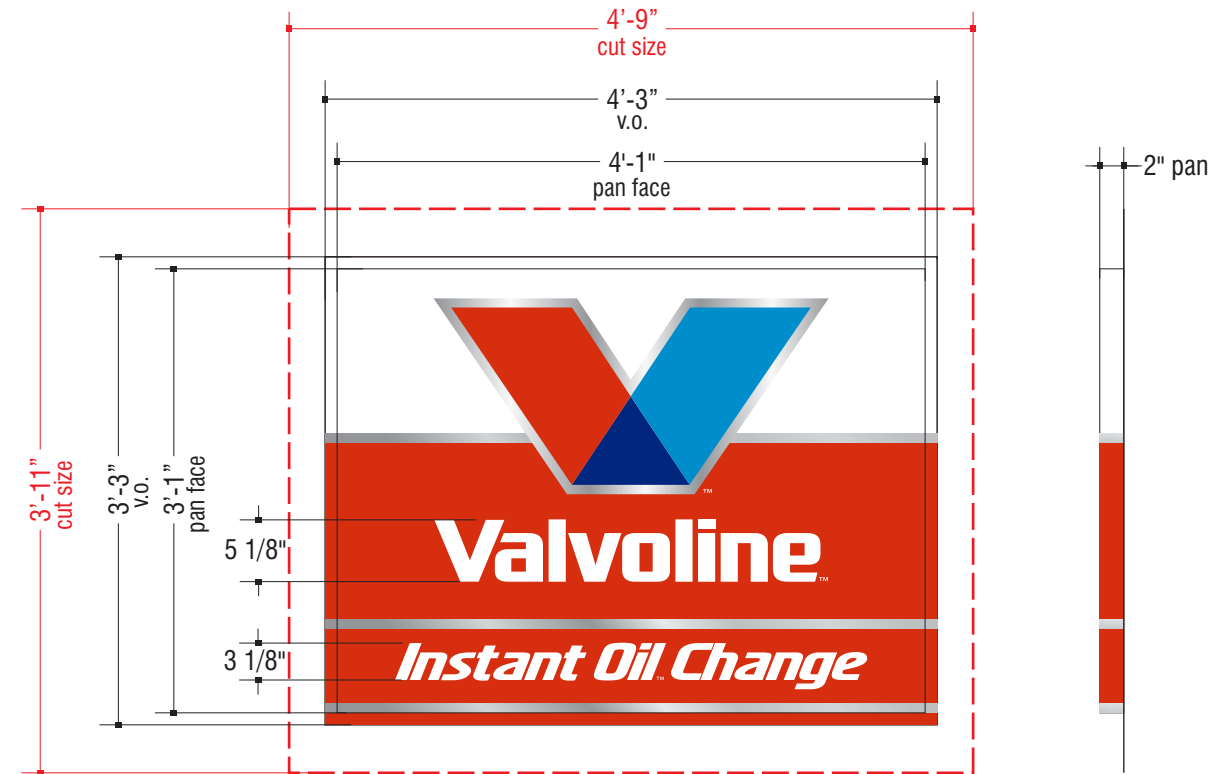
For Contact Information  
visit us at [KiefferStarlite.com](http://KiefferStarlite.com)

**KS2102011A**

EXISTING



PROPOSED



**D/F Cabinet Reface**

Scale: 3/4" = 1'-0"

3/16" CLEAR **PAN FORMED** POLYCARBONATE FACES BACKSPRAYED WHITE WITH 2ND SURFACE VINYL DECORATION:  
ALL COPY - WHITE  
RIGHT LOGO LEG - 3M 3630-337 PROCESS BLUE  
BOTTOM LOGO TRIANGLE - 3M 3630-8483 DARK BLUE  
LEFT LOGO LEG, LOWER B/G - 3M 3630-33 RED  
'V' OUTLINE & STRIPES - 3M 3630-121 SILVER

- 3M 3630-33 RED
- 3M 3630-337 PROCESS BLUE
- 3M 3630-8483 DARK BLUE
- 3M 3630-121 SILVER

Approved 12.07.21

ACCOUNT: <u>Valvoline Instant Oil Change</u>	REVISIONS:	INITIALS & DATE:
LOCATION: <u>Cameron, NC - 1340 NC 24-87</u>	▲ A -	-
ACCT. REP: <u>J. Cindric</u> DESIGNER: <u>KB</u>	▲ B -	-
DATE: <u>10/12/21</u>	▲ C -	-
COMPANION FILES	▲ D -	-
	▲ E -	-
	▲ F -	-
	▲ G -	-
	▲ H -	-

This is an original unpublished drawing submitted for use in connection with a project being planned for you by Kieffer Holding Co. It is not to be reproduced, copied or exhibited in any fashion without the written permission of Kieffer Holding Company.

**For Contact Information  
visit us at [KiefferStarlite.com](http://KiefferStarlite.com)**

**KS2102011B**