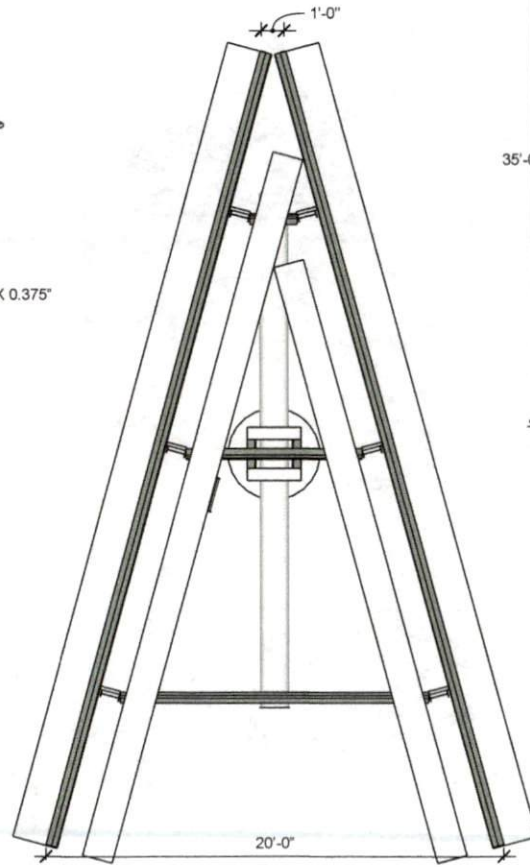
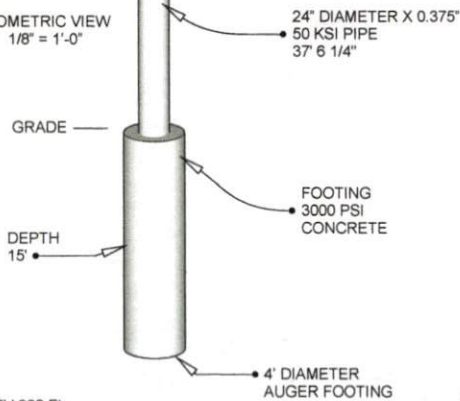
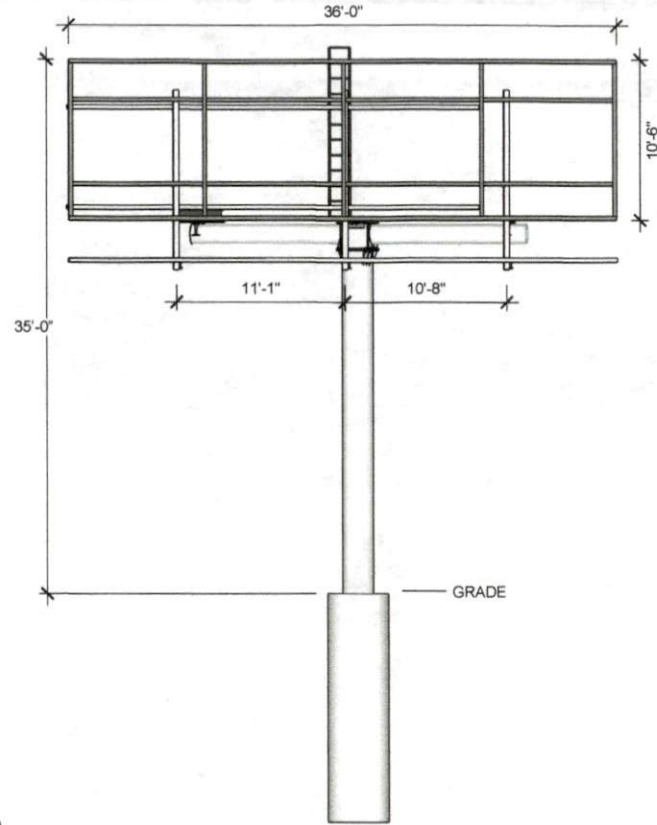


ISOMETRIC VIEW
1/8" = 1'-0"



PLAN VIEW
FROM ABOVE
3/16" = 1'-0"



ELEVATION VIEW
PARALLEL TO FACE
1/8" = 1'-0"

DESIGN CRITERIA
 LOCATION: 35.324385, -78.567911 ELEV 228 FT
 MEANS OF COMPLIANCE
 NC BUILDING CODE 2018
 ASCE 7-16
 RISK CATEGORY II
 WIND DESIGN
 V_{ULT} 121 MPH
 V_{ARD} 93 MPH
 WIND EXPOSURE CATEGORY C
 SEISMIC DESIGN
 SEISMIC IMPORTANCE FACTOR 1.0
 SOIL CLASS D
 SS 0.130g
 S1 0.064g
 SDS 0.139g
 SD1 0.102g
 SEISMIC DESIGN CATEGORY B
 SOIL BEARING CAPACITY 2500 PSF



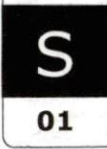
CLIENT
 INTERSTATE OUTDOOR, INC.
 PO BOX 124
 SELMA, NC 27576

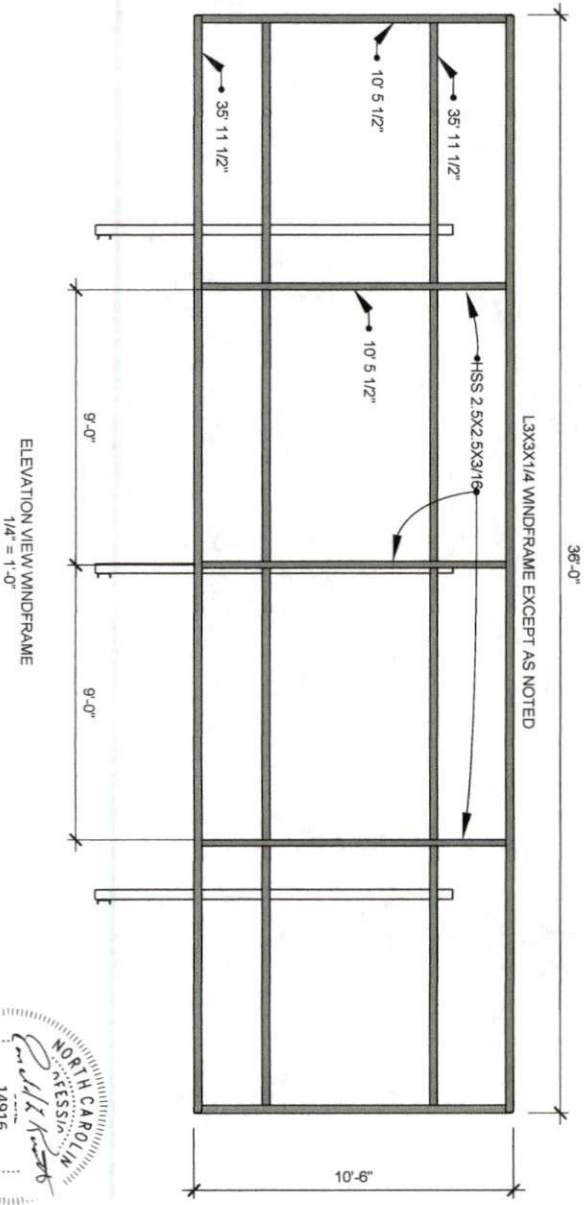
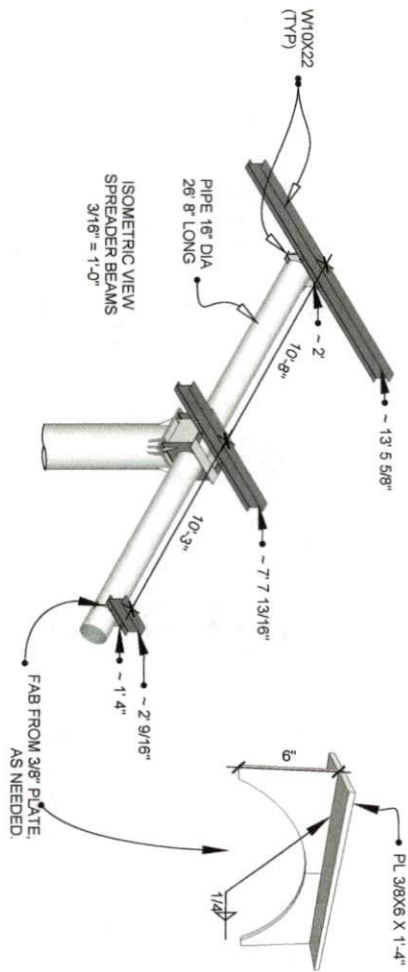
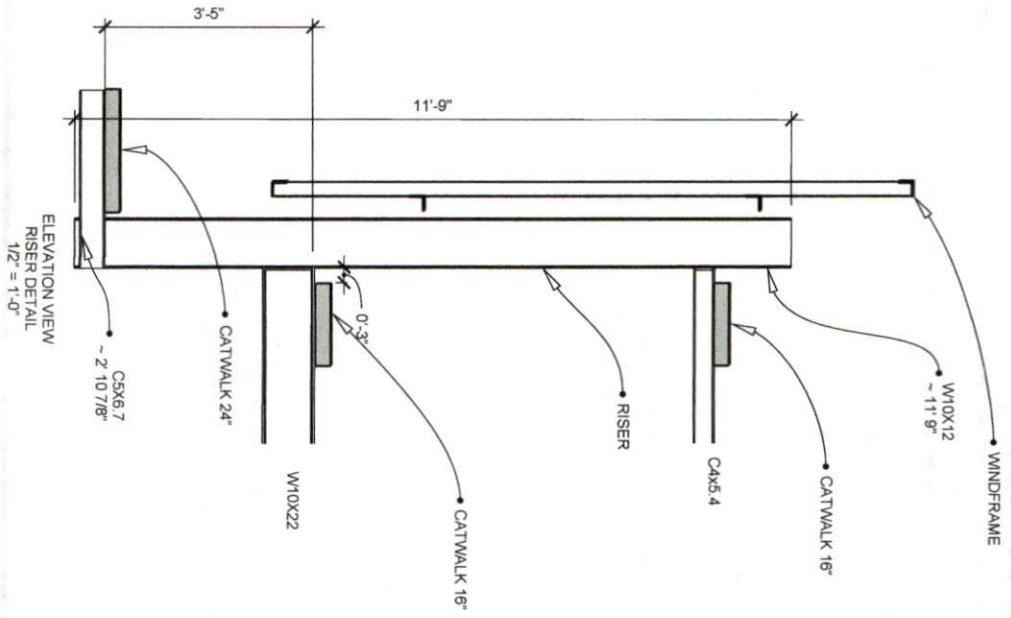
LOCATION
 HARNETT CO.
 590 GEORGE PERRY LEE RD
 DUNN, NC

DESCRIPTION
 Overall Views

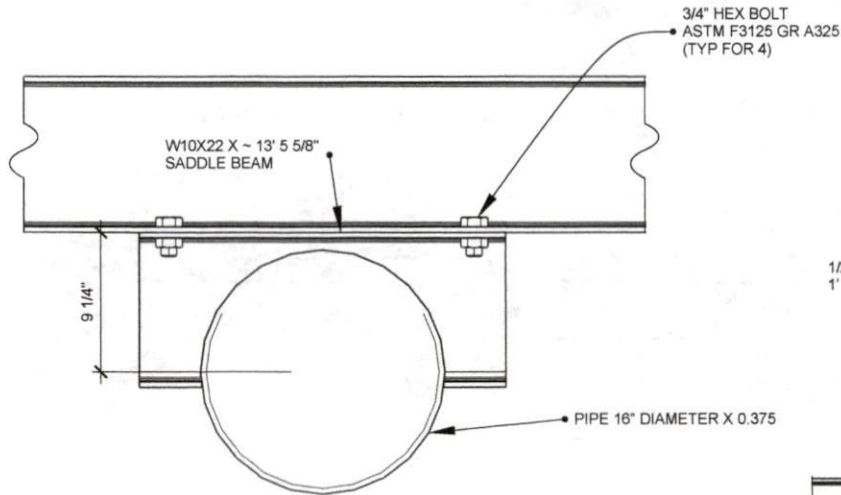
REV 0
 ISSUE
 1.25.2020

ENGINEER
 Ronald L. Knott, P.E.
 801 Cricket Knoll Rd
 Fuquay Varina, NC 27526
 (919)417-1962

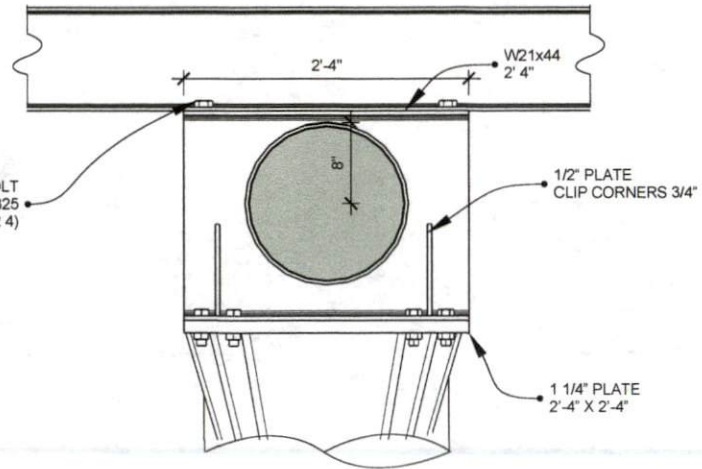
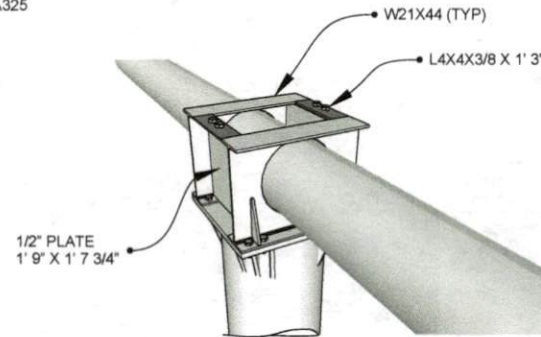




	ENGINEER Ronald L. Knott, P.E. 801 Cricket Knoll Rd Fuquay Varina, NC 27526 (919)417-1962	DESCRIPTION Windframe and Riser	REV 0 ISSUE 1.25.2020	CLIENT INTERSTATE OUTDOOR, INC. PO BOX 124 SELMA, NC 27576	MONOPOLE STEEL SIGN LOCATION HARNETT CO. 590 GEORGE PERRY LEE RD DUNN, NC



SECTION VIEW
SADDLE BEAM
1 1/2" = 1'-0"



SECTION VIEW
AT WRAP BEAM
1" = 1'-0"



MONOPOLE STEEL SIGN
LOCATION
HARNETT CO.
590 GEORGE PERRY LEE RD
DUNN, NC

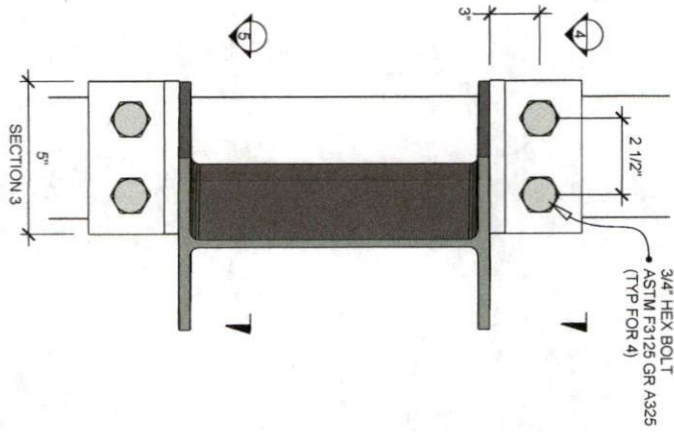
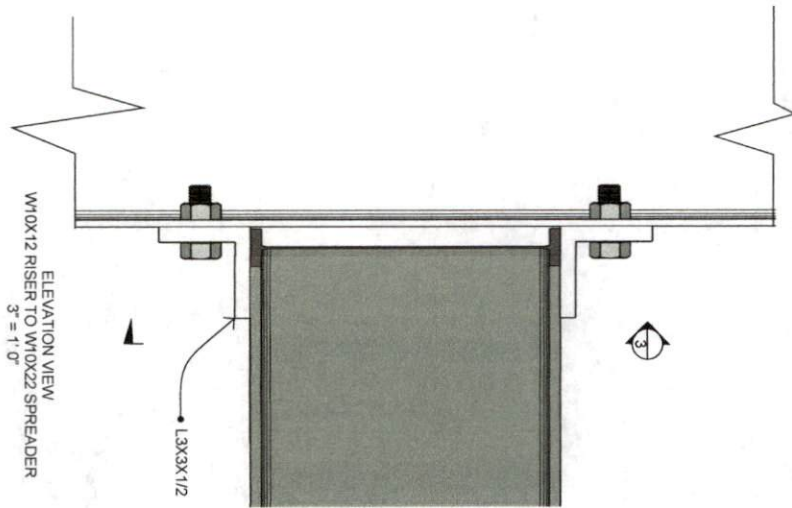
CLIENT
INTERSTATE OUTDOOR, INC.
PO BOX 124
SELMA, NC 27576

REV 0
ISSUE
1.25.2020

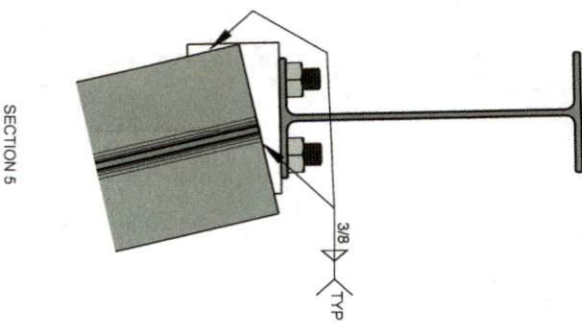
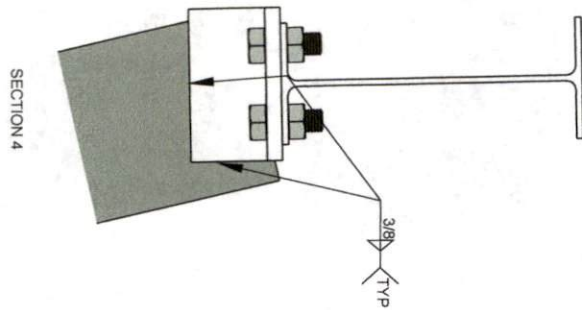
DESCRIPTION
Details

ENGINEER
Ronald L. Knott, P.E.
801 Cricket Knoll Rd
Fuquay Varina, NC 27526
(919)417-1962

S
03

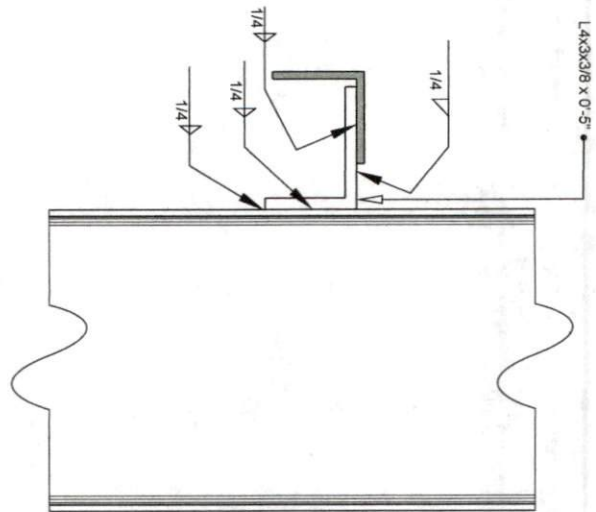
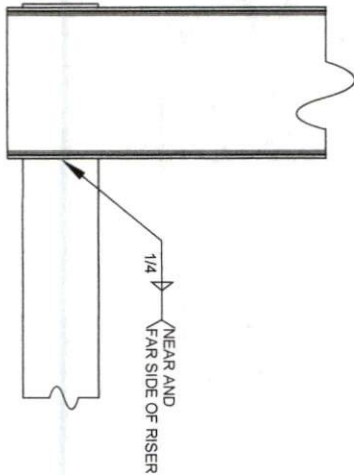
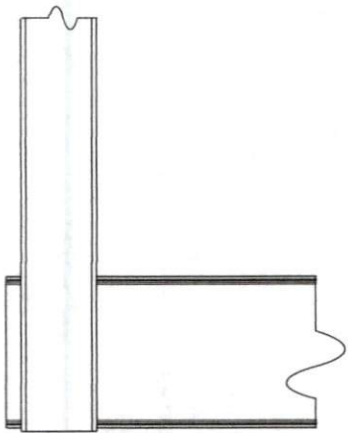
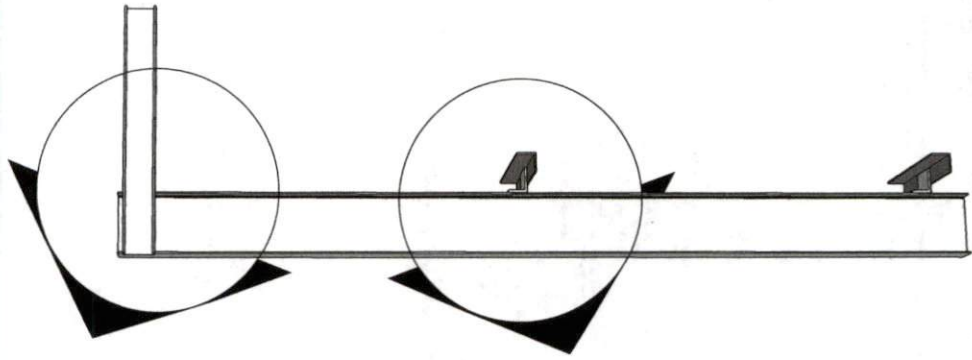


USE SAME DETAIL FOR C4X5.4 CONNECTION TO RISER

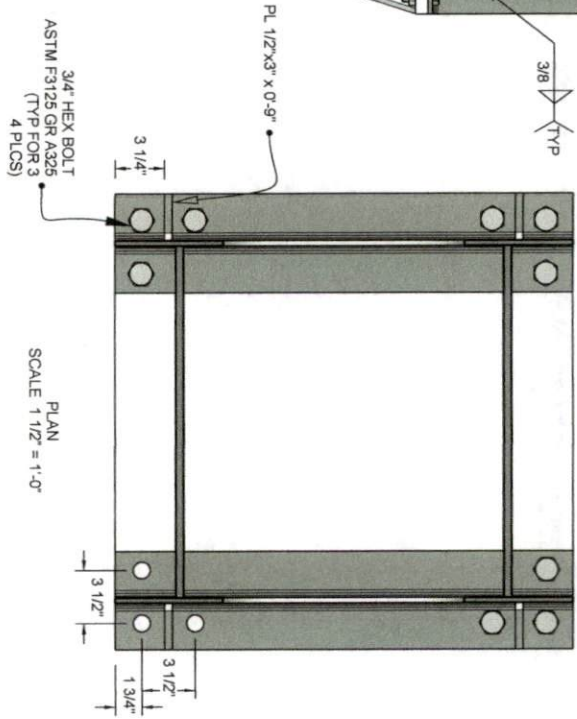
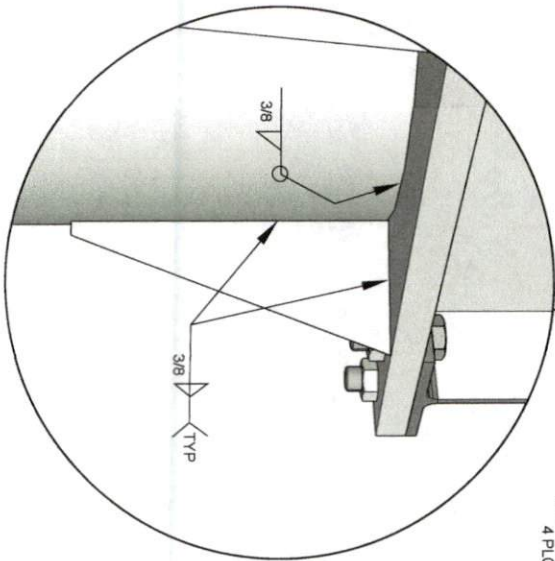
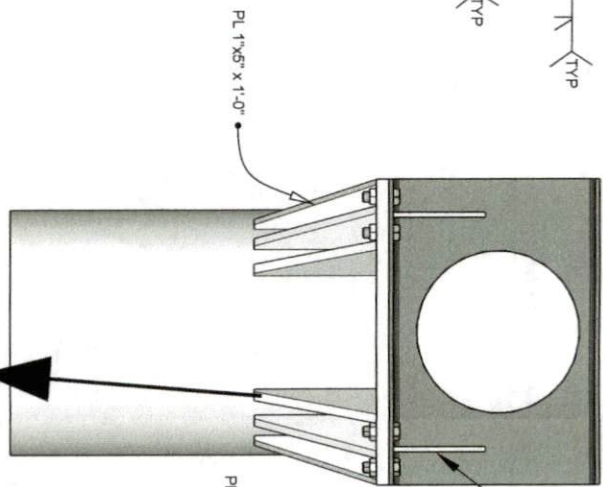
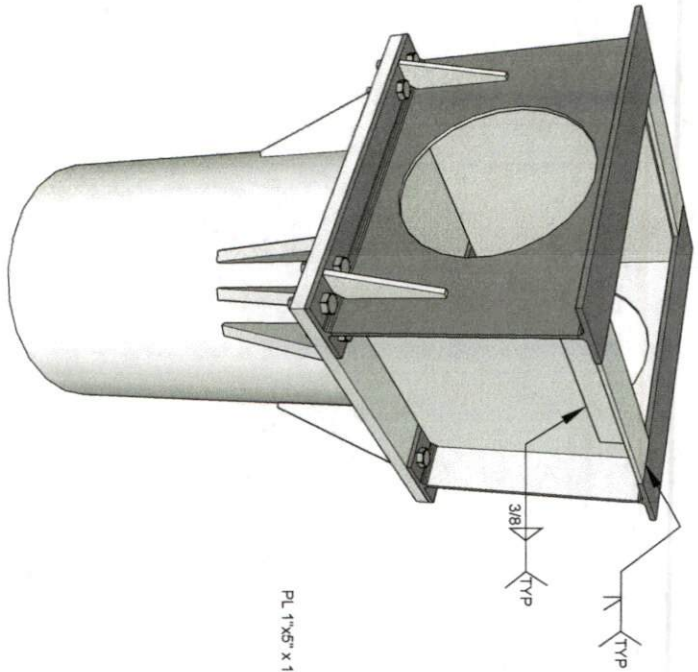


S 04	ENGINEER Ronald L. Knott, P.E. 801 Cricket Knoll Rd Fuquay Varina, NC 27526 (919)417-1962	DESCRIPTION SPREADER TO RISER	REV 0 ISSUE 1.25.2020	CLIENT INTERSTATE OUTDOOR, INC. PO BOX 124 SELMA, NC 27576	MONOPOLE STEEL SIGN LOCATION HARNETT CO. 590 GEORGE PERRY LEE RD DUNN, NC
----------------	---	---	-----------------------------	---	---





05 S	ENGINEER Ronald L. Knott, P.E. 801 Cricket Knoll Rd Fuquay Varina, NC 27526 (919)417-1962	DESCRIPTION WINDFRAME TO RISER	REV 0 ISSUE 1.25.2020	CLIENT INTERSTATE OUTDOOR, INC. PO BOX 124 SELMA, NC 27576	MONOPOLE STEEL SIGN LOCATION HARNETT CO. 590 GEORGE PERRY LEE RD DUNN, NC	



PLAN
SCALE 1 1/2" = 1'-0"



06 **S**
 ENGINEER
 Ronald L. Knott, P.E.
 801 Cricket Knoll Rd
 Fuquay Varina, NC 27526
 (919)417-1962

DESCRIPTION
 HUB GUSSETS
 AND BOLTS
 REV 2
 ISSUE
 1.25.2020

INTERSTATE OUTDOOR, INC.
 PO BOX 124
 SELMA, NC 27576

MONOPOLE STEEL SIGN
 LOCATION
 HARNETT CO.
 590 GEORGE PERRY LEE RD
 DUNN, NC

