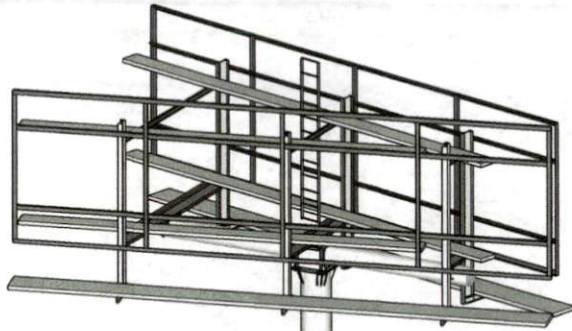
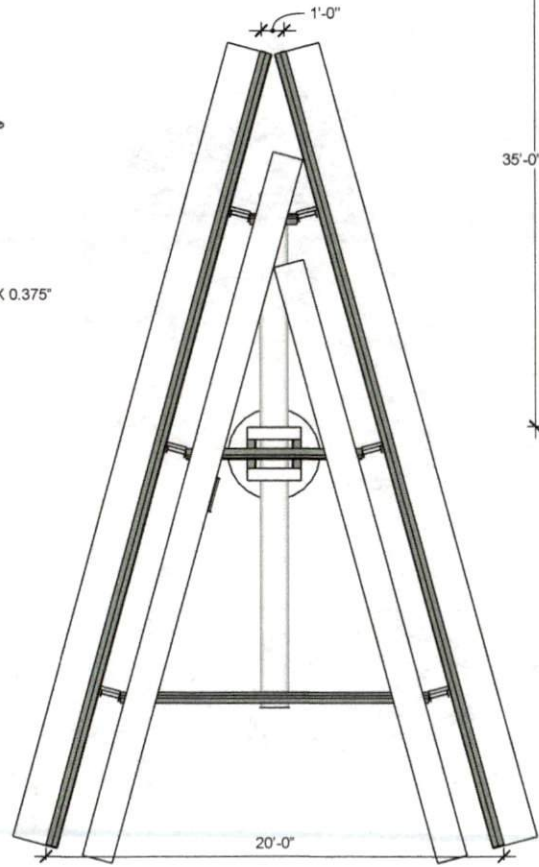


NOTICE TO CONTRACTOR
 All work shall be in accordance with the Building Code
 and all applicable local, state and federal laws and regulations.
 Request for Code
 Compliance
 10/20/2021

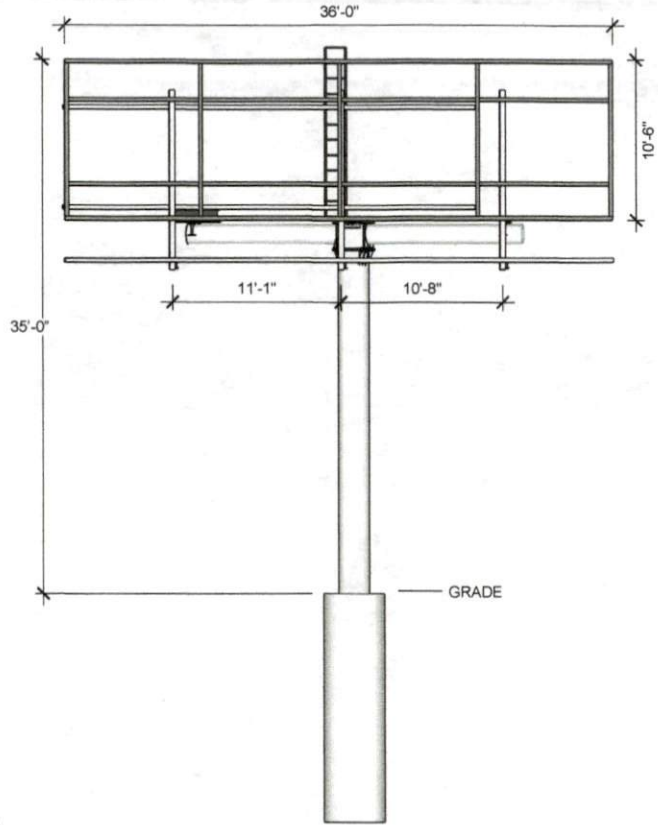



ISOMETRIC VIEW
 1/8" = 1'-0"

- 24" DIAMETER X 0.375" 50 KSI PIPE 37' 6 1/4"
- GRADE
- FOOTING 3000 PSI CONCRETE
- DEPTH 15'
- 4" DIAMETER AUGER FOOTING



PLAN VIEW
 FROM ABOVE
 3/16" = 1'-0"




ELEVATION VIEW
 PARALLEL TO FACE
 1/8" = 1'-0"

DESIGN CRITERIA
 LOCATION: 35.324385, -78.567911 ELEV 228 FT
 MEANS OF COMPLIANCE
 NC BUILDING CODE 2018
 ASCE 7-16
 RISK CATEGORY II
 WIND DESIGN
 V_{ULT} 121 MPH
 V_{ARD} 93 MPH
 WIND EXPOSURE CATEGORY C
 SEISMIC DESIGN
 SEISMIC IMPORTANCE FACTOR 1.0
 SOIL CLASS D
 SS 0.130g
 S1 0.064g
 SDS 0.139g
 SD1 0.102g
 SEISMIC DESIGN CATEGORY B
 SOIL BEARING CAPACITY 2500 PSF

PROFESSIONAL ENGINEER

 14916
 25 JAN 2020
 ENGINEER
 RONALD LEE KNOTT



CLIENT INTERSTATE OUTDOOR, INC.
 PO BOX 124
 SELMA, NC 27576

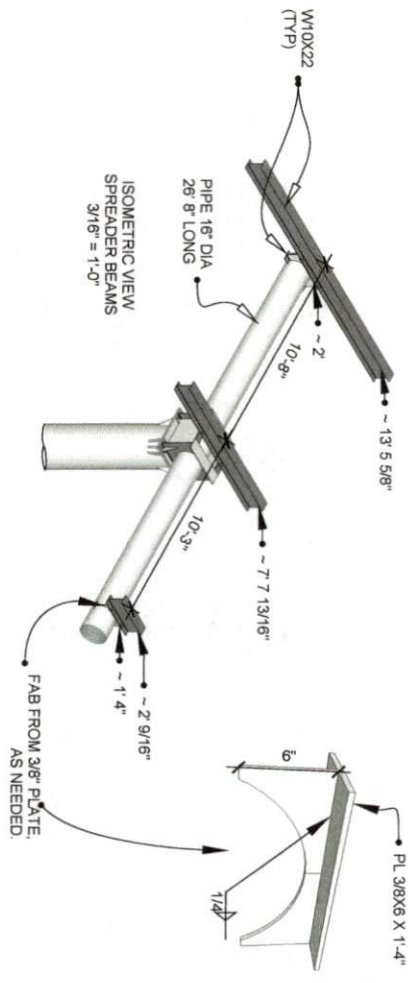
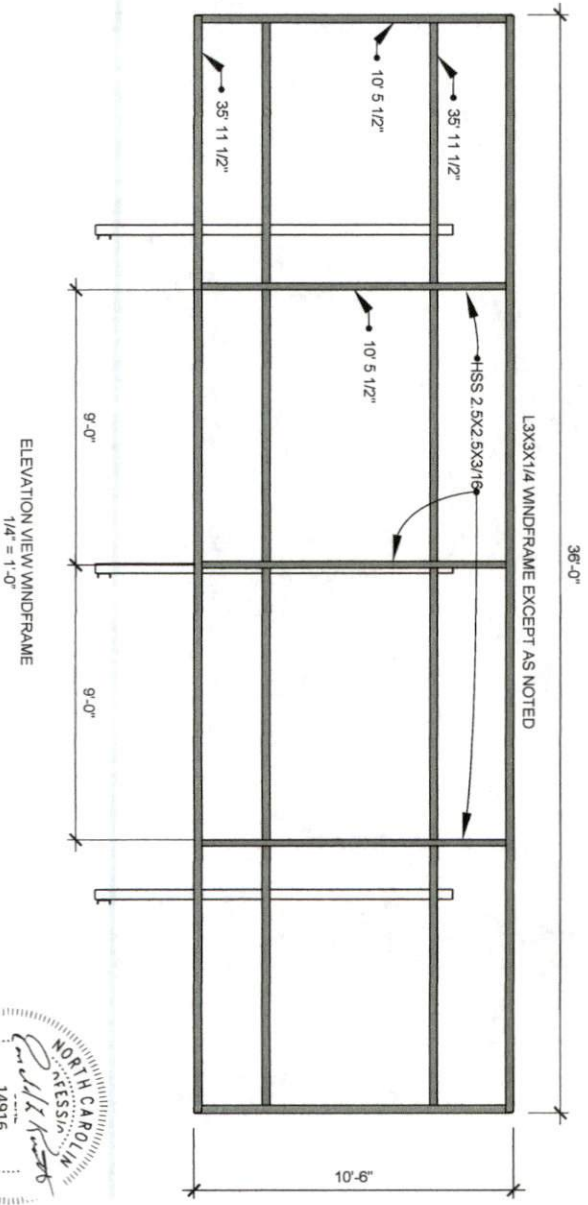
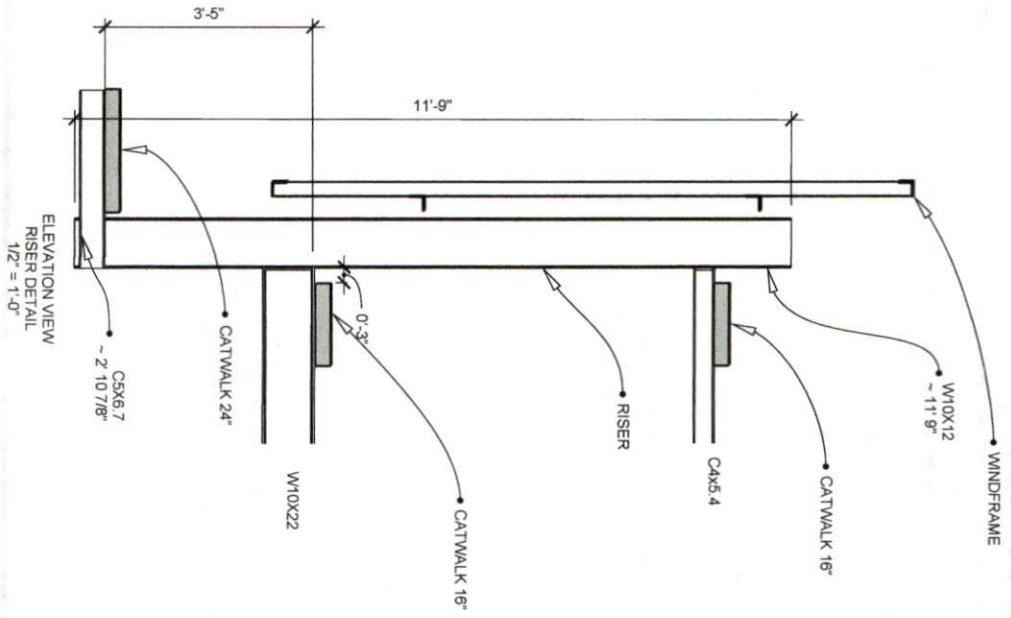
DESCRIPTION Overall Views

ENGINEER Ronald L. Knott, P.E.
 801 Cricket Knoll Rd
 Fuquay Varina, NC 27526
 (919)417-1962

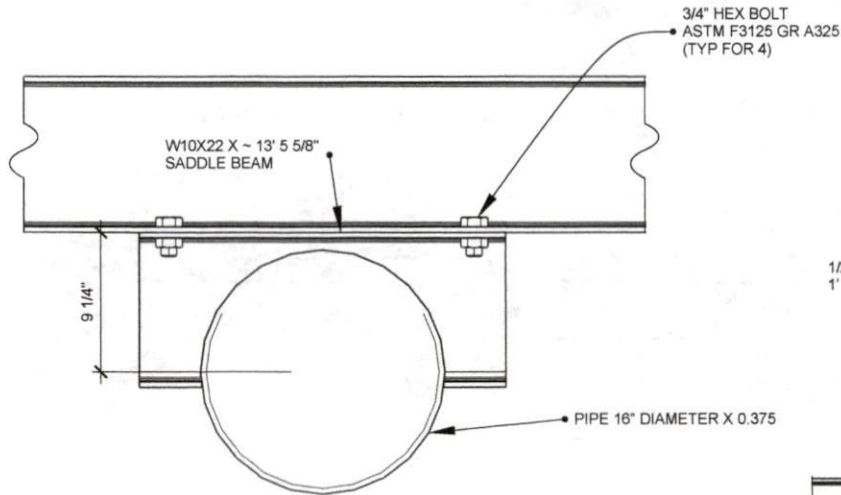
MONOPOLE STEEL SIGN
 LOCATION HARNETT CO.
 590 GEORGE PERRY LEE RD
 DUNN, NC

REV 0 ISSUE 1.25.2020

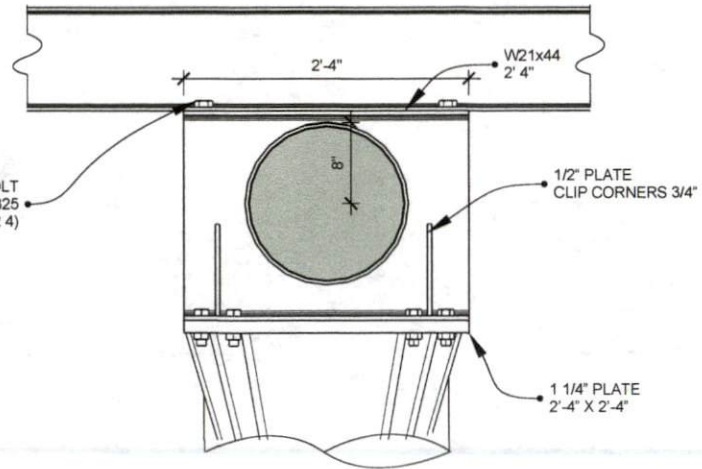
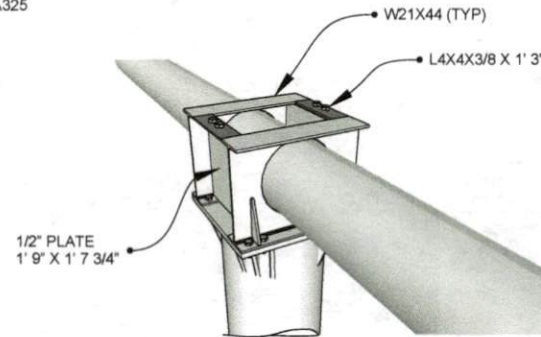
S
01



S 02	ENGINEER Ronald L. Knott, P.E. 801 Cricket Knoll Rd Fuquay Varina, NC 27526 (919)417-1962	DESCRIPTION Windframe and Riser	REV 0 ISSUE 1.25.2020	CLIENT INTERSTATE OUTDOOR, INC. PO BOX 124 SELMA, NC 27576	MONOPOLE STEEL SIGN LOCATION HARNETT CO. 590 GEORGE PERRY LEE RD DUNN, NC	



SECTION VIEW
SADDLE BEAM
1 1/2" = 1'-0"



SECTION VIEW
AT WRAP BEAM
1" = 1'-0"



MONOPOLE STEEL SIGN
LOCATION
HARNETT CO.
590 GEORGE PERRY LEE RD
DUNN, NC

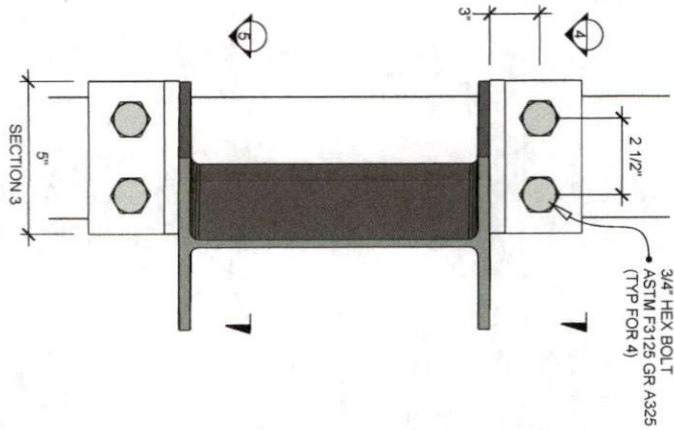
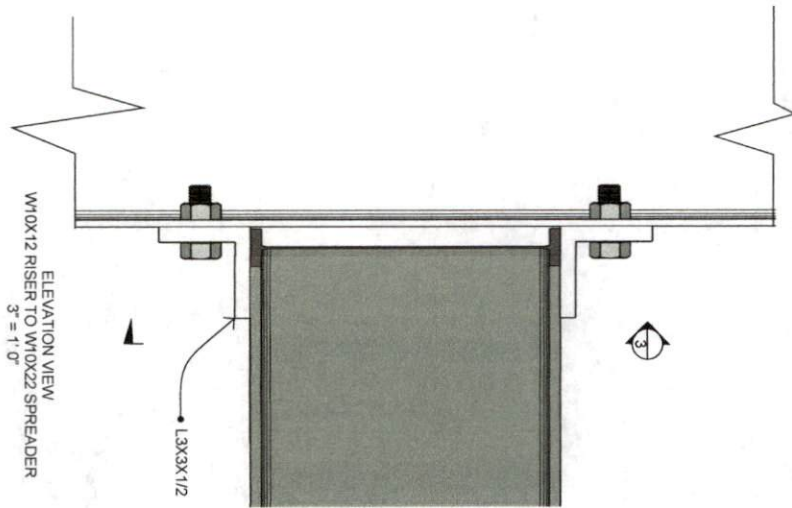
CLIENT
INTERSTATE OUTDOOR, INC.
PO BOX 124
SELMA, NC 27576

REV 0
ISSUE
1.25.2020

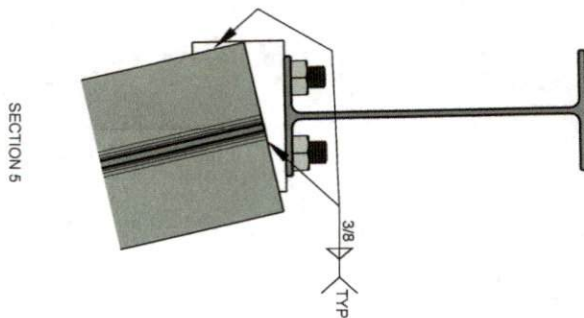
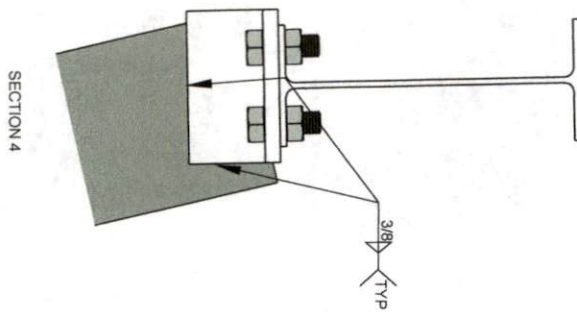
DESCRIPTION
Details

ENGINEER
Ronald L. Knott, P.E.
801 Cricket Knoll Rd
Fuquay Varina, NC 27526
(919)417-1962

S
03

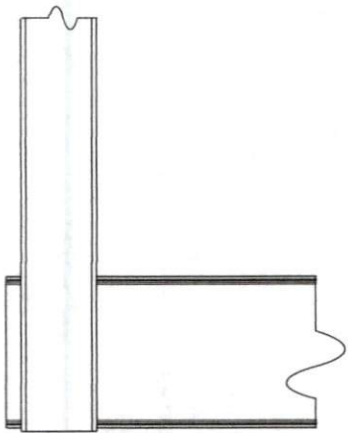
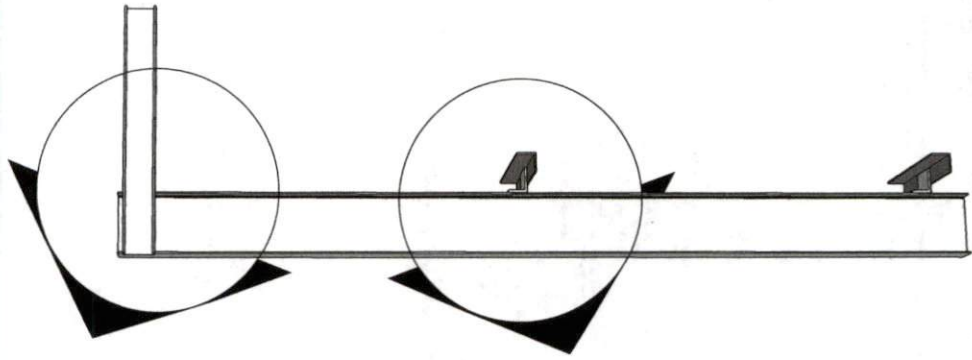


USE SAME DETAIL FOR C4X5.4 CONNECTION TO RISER

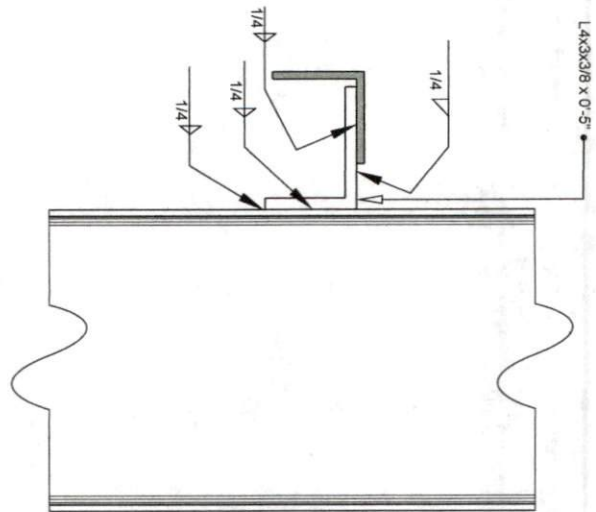


<p>04</p>	<p>S</p>	<p>ENGINEER Ronald L. Knott, P.E. 801 Cricket Knoll Rd Fuquay Varina, NC 27526 (919)417-1962</p>	<p>DESCRIPTION SPREADER TO RISER</p>	<p>REV 0 ISSUE 1.25.2020</p>	<p>CLIENT INTERSTATE OUTDOOR, INC. PO BOX 124 SELMA, NC 27576</p>	<p>MONOPOLE STEEL SIGN LOCATION HARNETT CO. 590 GEORGE PERRY LEE RD DUNN, NC</p>
-----------	-----------------	--	--	--	--	--





1/4" NEAR AND FAR SIDE OF RISER



05

S

ENGINEER
 Ronald L. Knott, P.E.
 801 Cricket Knoll Rd
 Fuquay Varina, NC 27526
 (919)417-1962

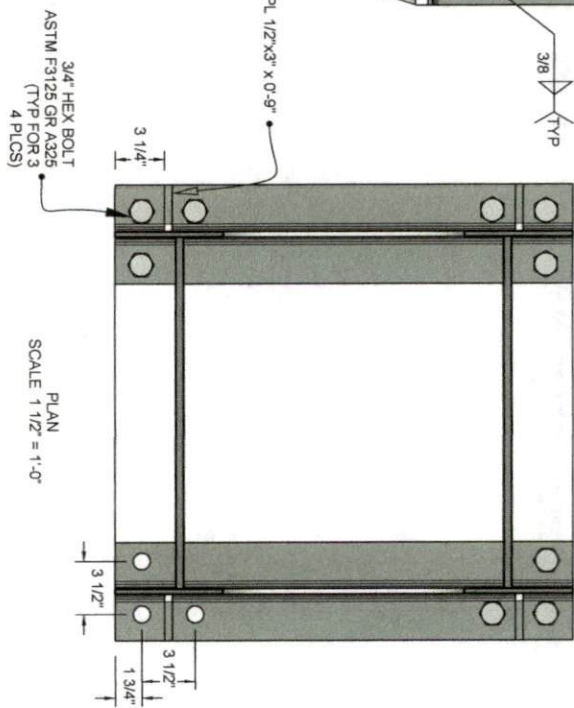
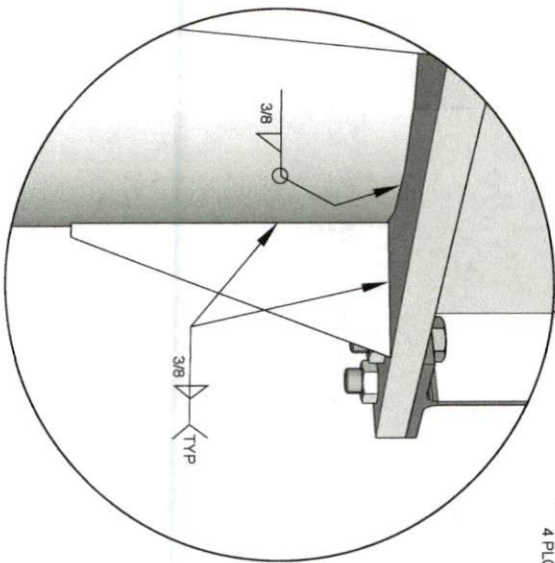
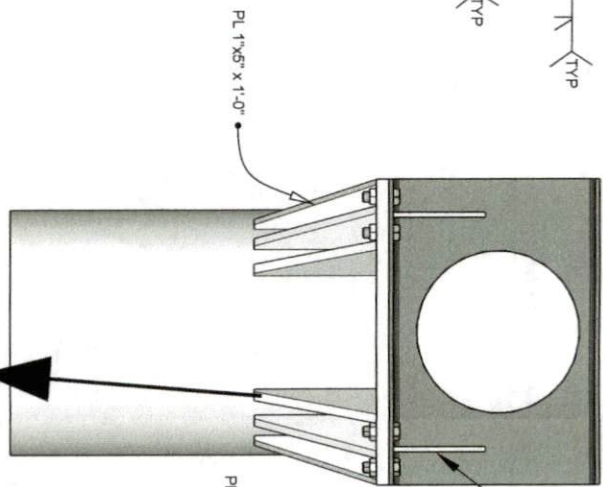
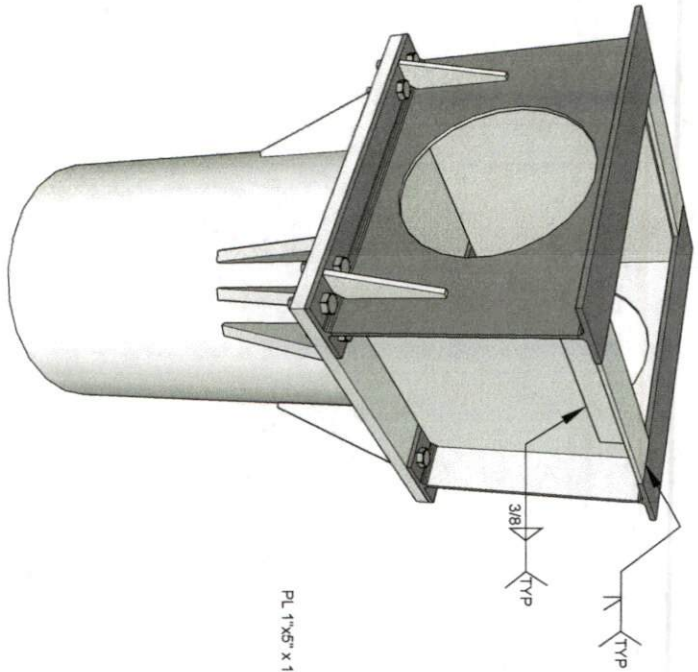
DESCRIPTION
 WINDFRAME
 TO RISER

REV 0
 ISSUE
 1.25.2020

CLIENT
 INTERSTATE OUTDOOR, INC.
 PO BOX 124
 SELMA, NC 27576

MONOPOLE STEEL SIGN
 LOCATION
 HARNETT CO.
 590 GEORGE PERRY LEE RD
 DUNN, NC





PLAN
SCALE 1 1/2" = 1'-0"



06

S

ENGINEER
Ronald L. Knott, P.E.
801 Cricket Knoll Rd
Fuquay Varina, NC 27526
(919)417-1962

DESCRIPTION
HUB GUSSETS
AND BOLTS

REV 0
ISSUE
1.25.2020

INTERSTATE OUTDOOR, INC.
PO BOX 124
SELMA, NC 27576

MONOPOLE STEEL SIGN
LOCATION
HARNETT CO.
590 GEORGE PERRY LEE RD
DUNN, NC

