

PROJECT NAME:
**NEW SHEETZ SITE
CAMERON**

Cameron, NC
PSR #214196

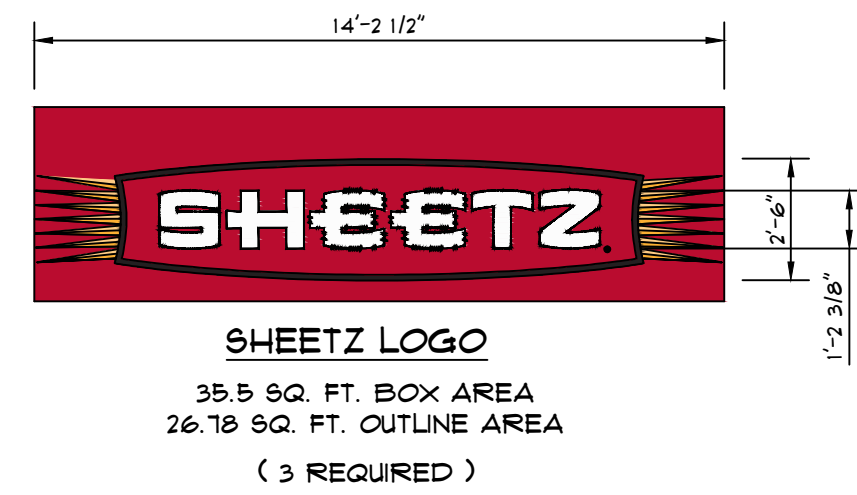
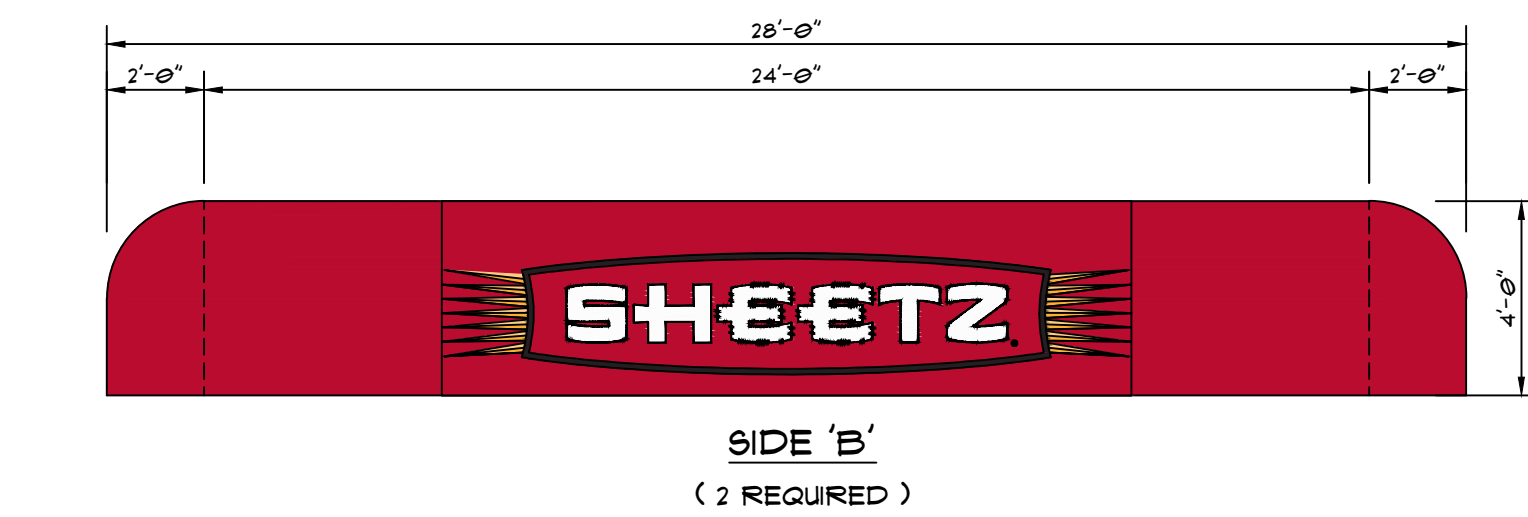
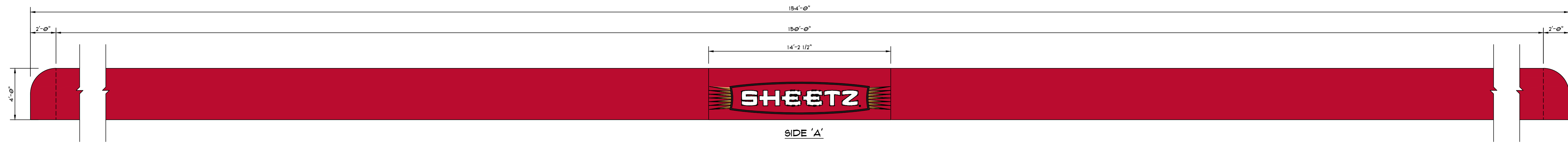
OWNER:
SHEETZ, INC.

5700 SIXTH AVE.
ALTOONA, PA 16602

CONSULTANT

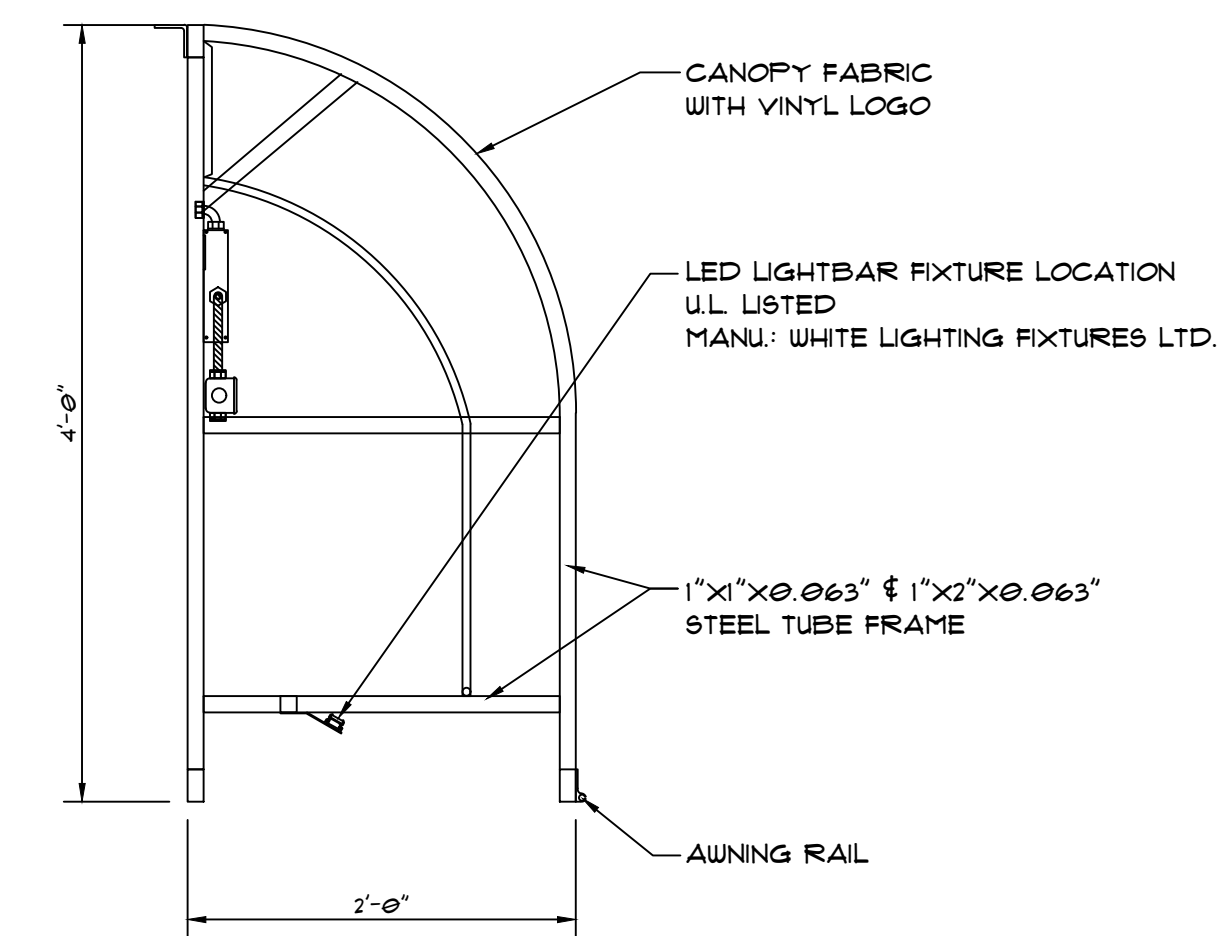
PROFESSIONAL

KEYPLAN

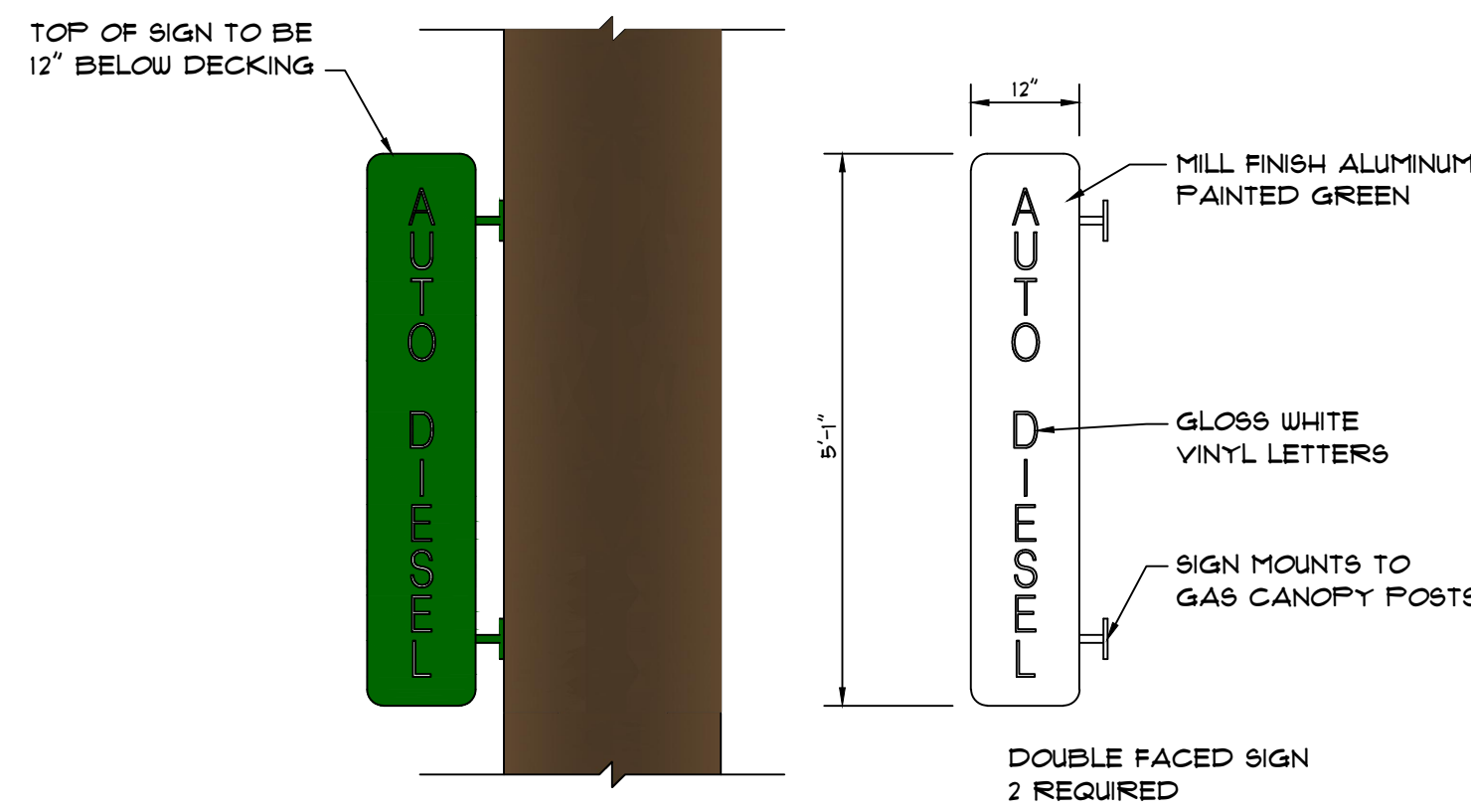


GAS CANOPY ELEVATIONS
SCALE: 1/4"=1'-0"

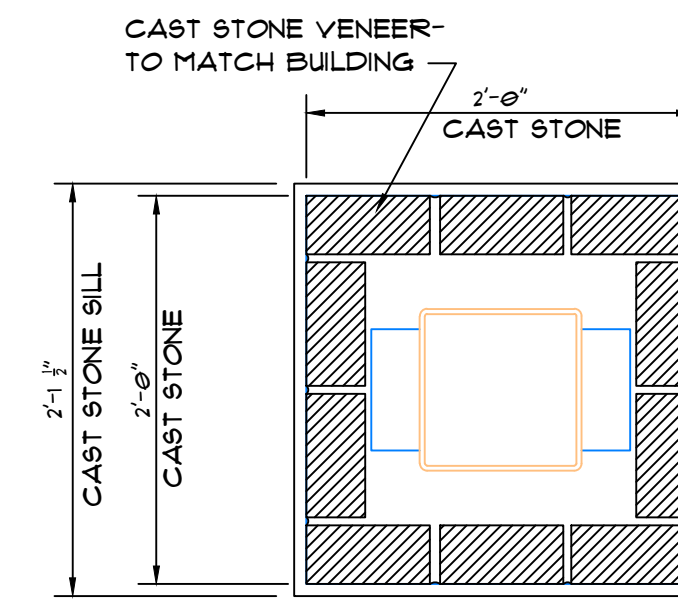
NOTE:
*BOTTOM OF AWNING IS 16'-0" ABOVE FINISH GRADE



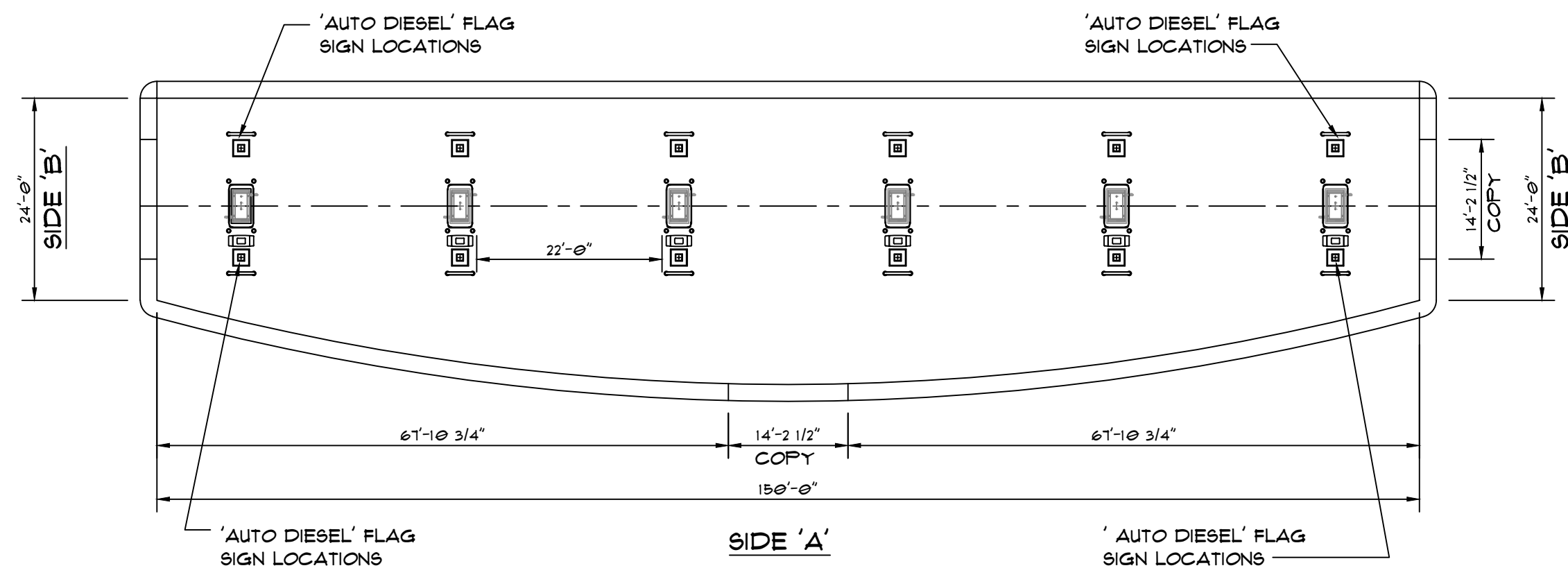
GAS CANOPY SECTION
SCALE: 1/4"=1'-0"



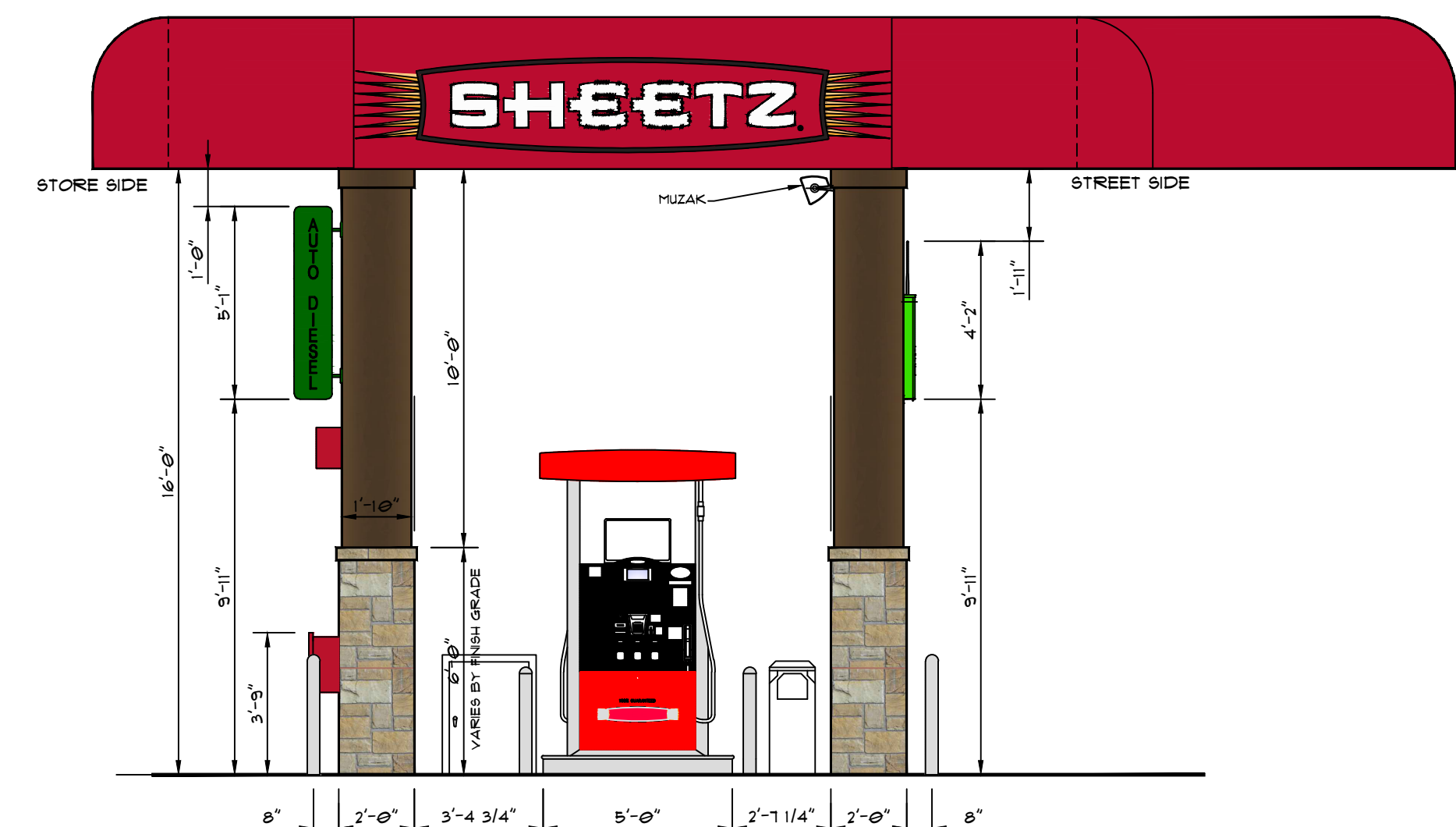
AUTO DIESEL FLAG SIGN ELEVATION AND DETAIL
SCALE: NO SCALE
AUTO DIESEL FLAG SIGN AREA = 5.08 SQ. FT.



STONE COLUMN BASE DETAIL
SCALE: NO SCALE



GAS CANOPY - PLAN VIEW
SCALE: NONE



GAS STRUCTURE ELEVATION
SCALE: 1/4"=1'-0"

ISSUE:	1-25-2021
PROJECT NO.:	
AUTHOR BY:	JEB
REVIEW BY:	
SHEET TITLE:	

GAS CANOPY
AWNING DETAILS

AWNING