



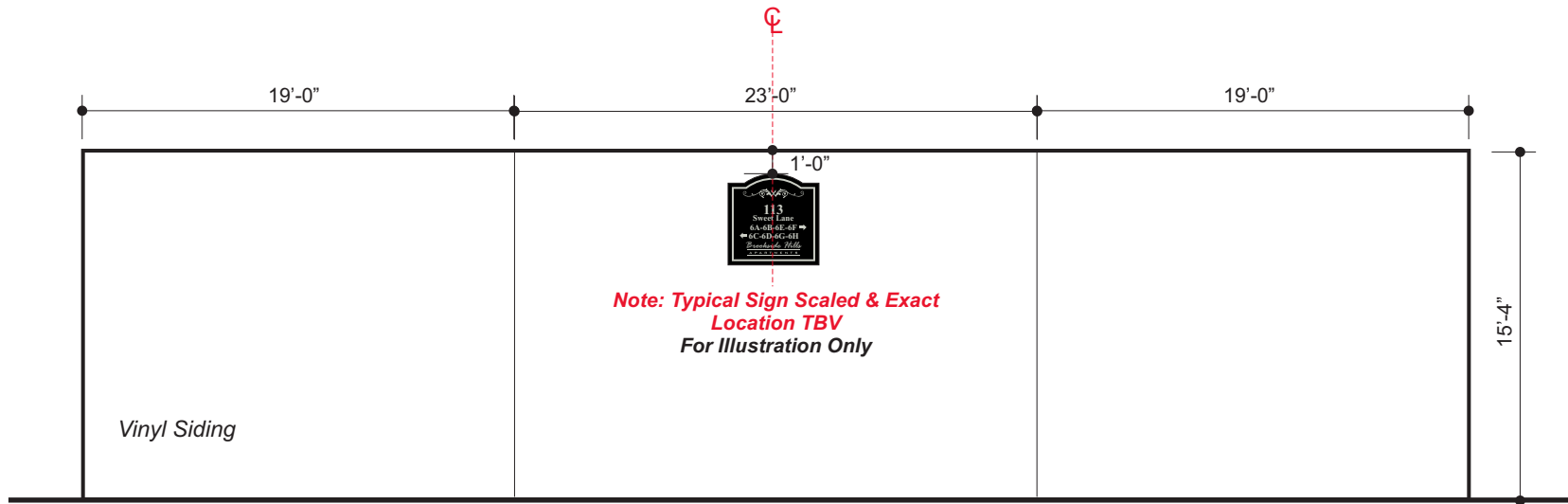
This is an original unpublished drawing, created by Allen Industries, Inc. It is submitted for your personal use in connection with the project being planned for you by Allen Industries, Inc. It is not to be shown to anyone outside your organization, nor used, reproduced, copied or exhibited in any fashion whatsoever. All or part of this design (except for registered trademarks) remain the property of Allen Industries, Inc.

| Client Review Status                                                                                                                                                                            |             |
|-------------------------------------------------------------------------------------------------------------------------------------------------------------------------------------------------|-------------|
| Allen Industries, Inc. requires that an <input checked="" type="checkbox"/> <b>Approved</b> drawing be obtained from the client prior to any production release or production release revision. |             |
| <input type="checkbox"/> <b>Approved</b> <input type="checkbox"/> <b>Approved as Noted</b> <input type="checkbox"/> <b>Revise &amp; Resubmit</b>                                                |             |
| <i>Name</i>                                                                                                                                                                                     |             |
| <i>Title</i>                                                                                                                                                                                    | <i>Date</i> |

| Notes | Date / Description             |            |                     |
|-------|--------------------------------|------------|---------------------|
|       | 09/22/15 Issue Date            | 04/30/2020 | Revised Per Request |
|       | 05/20/15 Revised Per Request   |            |                     |
|       | 10/11/15 " "                   |            |                     |
|       | 01/31/2020 Revised Per Request |            |                     |
|       | 04/29/2020 " "                 |            |                     |

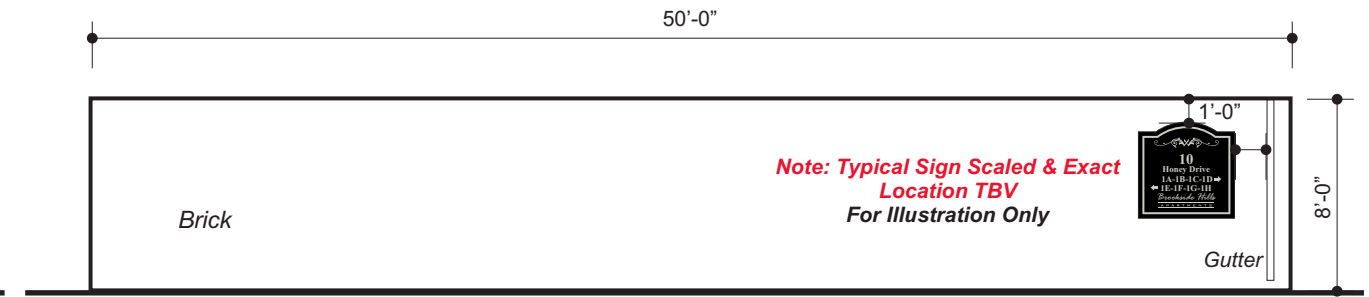
| Project Information                       |                                             |    |       |
|-------------------------------------------|---------------------------------------------|----|-------|
| Client <b>Westminster Company</b>         |                                             |    |       |
| <b>Brookside Hills</b>                    |                                             |    |       |
| <b>56 Sweet Lane Spring Lake NC 28390</b> |                                             |    |       |
| File                                      | ARCH-569 Brookside Hills Spring Lake NC 204 |    |       |
| Sales                                     | Design                                      | SS | PM JA |

**Allen Industries**  
[www.allenindustries.com](http://www.allenindustries.com)  
**Signs and Image Solutions**  
 Corporate Headquarters  
 6434 Burnt Poplar Road, Greensboro, NC 27409  
 Phone 800-967-2553 336-668-2791 Fax 336-668-7875



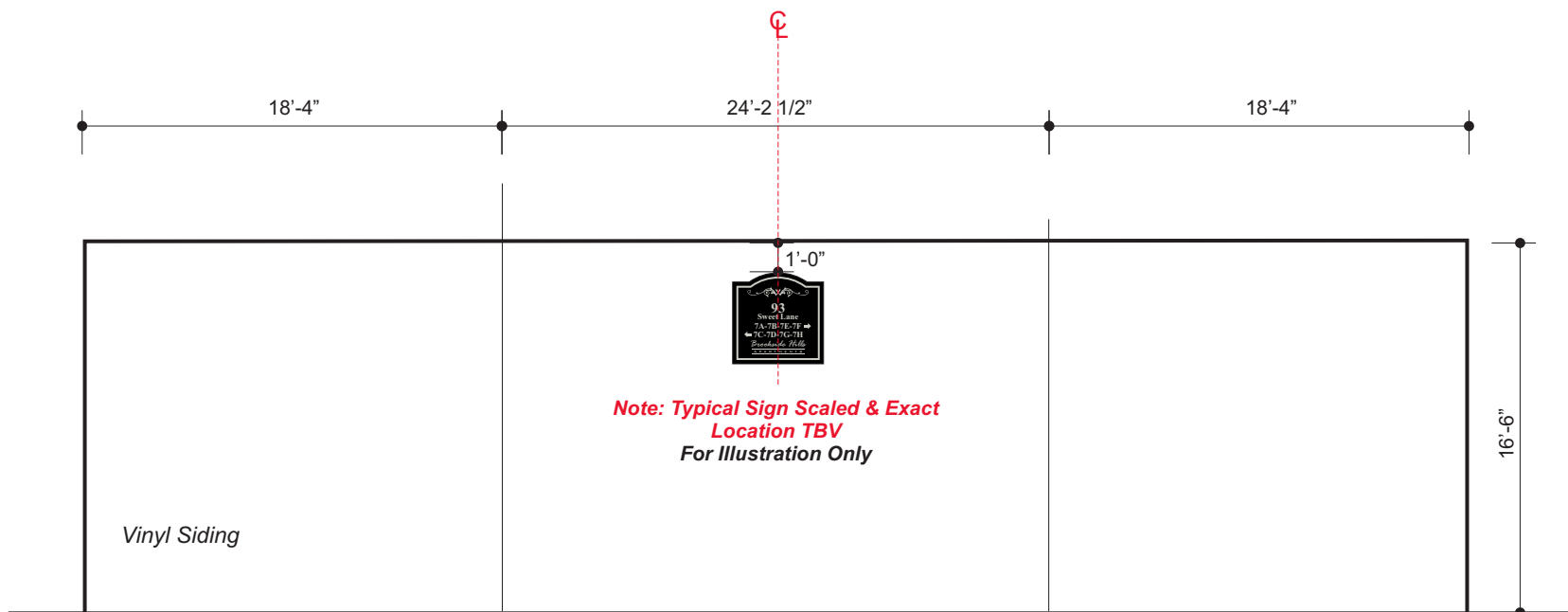
**Buildings 113-61-25**

Scale: 3/16" = 1'-0"±



**Buildings 10-32**

Scale: 3/16" = 1'-0"±



**Buildings 93-106-35**

Scale: 3/16" = 1'-0"±

**NOTE: ELEVATIONS SHOWN ARE BASED ON HAND SKETCHES PROVIDED BY CUSTOMER. Scaling Is Approx. FOR ILLUSTRATION ONLY.**

See Following Pages For Sign Details

This is an original unpublished drawing, created by Allen Industries, Inc. It is submitted for your personal use in connection with the project being planned for you by Allen Industries, Inc. It is not to be shown to anyone outside your organization, nor used, reproduced, copied or exhibited in any fashion whatsoever. All or part of this design (except for registered trademarks) remain the property of Allen Industries, Inc.

| Client Review Status                                                                                                                                                                       |            |
|--------------------------------------------------------------------------------------------------------------------------------------------------------------------------------------------|------------|
| Allen Industries, Inc. requires that an <input checked="" type="checkbox"/> "Approved" drawing be obtained from the client prior to any production release or production release revision. |            |
| <input type="checkbox"/> Approved <input type="checkbox"/> Approved as Noted <input type="checkbox"/> Revise & Resubmit                                                                    |            |
| Name _____                                                                                                                                                                                 | Date _____ |
| Title _____                                                                                                                                                                                |            |

| Notes | Date / Description             |            |                     |
|-------|--------------------------------|------------|---------------------|
|       | 09/22/15 Issue Date            | 04/30/2020 | Revised Per Request |
|       | 05/20/15 Revised Per Request   |            |                     |
|       | 10/11/15 " "                   |            |                     |
|       | 01/31/2020 Revised Per Request |            |                     |
|       | 04/29/2020 " "                 |            |                     |

| Project Information |                                             |
|---------------------|---------------------------------------------|
| Client              | Westminster Company                         |
|                     | Brookside Hills                             |
|                     | 56 Sweet Lane Spring Lake NC 28390          |
| File                | ARCH-569 Brookside Hills Spring Lake NC 204 |
| Sales               | Design SS PM JA                             |

**Allen Industries**  
 www.allenindustries.com  
**Signs and Image Solutions**  
 Corporate Headquarters  
 6434 Burnt Poplar Road, Greensboro, NC 27409  
 Phone 800-967-2553 336-668-2791 Fax 336-668-7875





**Note: See Mounting Detail On Last Page**

- Logo to match Akzo Nobel Brushed Silver
- rule lines, text, and border to match Akzo Nobel Brushed Silver
- Background to match SW Satin Black
- 3"
- sign face to be .Flat 080" thk. aluminum panel with first surface opaque vinyl graphics

**Front View**  
Scale: 1" = 1'-0"



- QUANTITY: 8 SINGLE SIDED WALL MOUNT SIGNS (1 of EACH LAYOUT SHOWN)**
- .080 FLAT ALUMINUM PANEL W/ FIRST SURFACE OPAQUE VINYL GRAPHICS
  - SIGN is NON-ILLUMINATED
  - GRAPHICS AS SHOWN
  - SIGN to have CLEAR ACRYLIC POLYURETHANE FINISH SATIN
  - SIGN to be MOUNTED as REQUIRED for WALL CONDITIONS

- Project Colors:**
- Paint To Match SW Satin Black
  - Paint & Vinyl To Match Akzo Nobel Brushed Silver

**NOTE: FOR ILLUSTRATION ONLY. SUBJECT TO CHANGE PENDING FINAL REVIEW & APPROVAL PRIOR TO PRODUCTION.**



This is an original unpublished drawing, created by Allen Industries, Inc. It is submitted for your personal use in connection with the project being planned for you by Allen Industries, Inc. It is not to be shown to anyone outside your organization, nor used, reproduced, copied or exhibited in any fashion whatsoever. All or part of this design (except for registered trademarks) remain the property of Allen Industries, Inc.

| Client Review Status                                                                                                                                                                       |            |
|--------------------------------------------------------------------------------------------------------------------------------------------------------------------------------------------|------------|
| Allen Industries, Inc. requires that an <input checked="" type="checkbox"/> "Approved" drawing be obtained from the client prior to any production release or production release revision. |            |
| <input type="checkbox"/> Approved <input type="checkbox"/> Approved as Noted <input type="checkbox"/> Revise & Resubmit                                                                    |            |
| Name _____                                                                                                                                                                                 | Date _____ |
| Title _____                                                                                                                                                                                |            |

| Notes | Date / Description             |
|-------|--------------------------------|
|       | 09/22/15 Issue Date            |
|       | 05/20/15 Revised Per Request   |
|       | 10/11/15 " "                   |
|       | 01/31/2020 Revised Per Request |
|       | 04/29/2020 " "                 |
|       | 04/30/2020 Revised Per Request |

| Project Information                |                                             |
|------------------------------------|---------------------------------------------|
| Client Westminster Company         |                                             |
| Brookside Hills                    |                                             |
| 56 Sweet Lane Spring Lake NC 28390 |                                             |
| File                               | ARCH-569 Brookside Hills Spring Lake NC 204 |
| Sales                              | Design SS PM JA                             |

**Allen Industries**  
www.allenindustries.com  
**Signs and Image Solutions**

Corporate Headquarters  
6434 Burnt Poplar Road, Greensboro, NC 27409  
Phone 800-967-2553 336-668-2791 Fax 336-668-7875

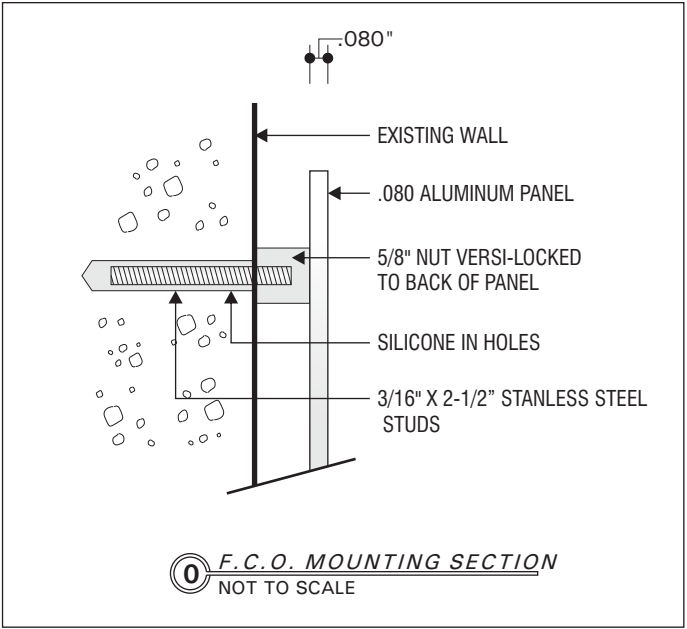


**Front View**  
Scale: 1" = 1'-0"



**Front View**  
Scale: 1" = 1'-0"

**NOTE: FOR ILLUSTRATION ONLY.  
SUBJECT TO CHANGE PENDING  
FINAL REVIEW & APPROVAL  
PRIOR TO PRODUCTION.**



| Hardware Mounting Chart                                                                                   |         |      |       |
|-----------------------------------------------------------------------------------------------------------|---------|------|-------|
| Note:                                                                                                     |         |      |       |
|                                                                                                           | Masonry | Wood | Metal |
| Threaded Rod will be Provided Standard for All. Other Hardware Is to be Provided by the Installer As Req. |         |      |       |
| 1/4" Zinc Plated Steel Threaded Rod Thru Wall                                                             | ●       | ●    | ●     |
| 3/8" Lags with Shields                                                                                    | ●       |      |       |
| 3/8" Lag Bolts                                                                                            |         | ●    |       |
| 3/8" Toggle Bolts                                                                                         |         |      | ●     |

This is an original unpublished drawing, created by Allen Industries, Inc. It is submitted for your personal use in connection with the project being planned for you by Allen Industries, Inc. It is not to be shown to anyone outside your organization, nor used, reproduced, copied or exhibited in any fashion whatsoever. All or part of this design (except for registered trademarks) remain the property of Allen Industries, Inc.

| Client Review Status                                                                                                                                                                            |            |
|-------------------------------------------------------------------------------------------------------------------------------------------------------------------------------------------------|------------|
| Allen Industries, Inc. requires that an <input checked="" type="checkbox"/> <b>Approved</b> drawing be obtained from the client prior to any production release or production release revision. |            |
| <input type="checkbox"/> <b>Approved</b> <input type="checkbox"/> <b>Approved as Noted</b> <input type="checkbox"/> <b>Revise &amp; Resubmit</b>                                                |            |
| Name _____                                                                                                                                                                                      | Date _____ |
| Title _____                                                                                                                                                                                     |            |

| Notes | Date / Description |                     |
|-------|--------------------|---------------------|
|       | 09/22/15           | Issue Date          |
|       | 05/20/15           | Revised Per Request |
|       | 10/11/15           | " "                 |
|       | 01/31/2020         | Revised Per Request |
|       | 04/29/2020         | " "                 |
|       | 04/30/2020         | Revised Per Request |

| Project Information |                                             |
|---------------------|---------------------------------------------|
| Client              | Westminster Company                         |
|                     | Brookside Hills                             |
|                     | 56 Sweet Lane Spring Lake NC 28390          |
| File                | ARCH-569 Brookside Hills Spring Lake NC 204 |
| Sales               | Design SS   PM JA                           |

**Allen Industries**  
www.allenindustries.com  
**Signs and Image Solutions**

Corporate Headquarters  
6434 Burnt Poplar Road, Greensboro, NC 27409  
Phone 800-967-2553 336-668-2791 Fax 336-668-7875