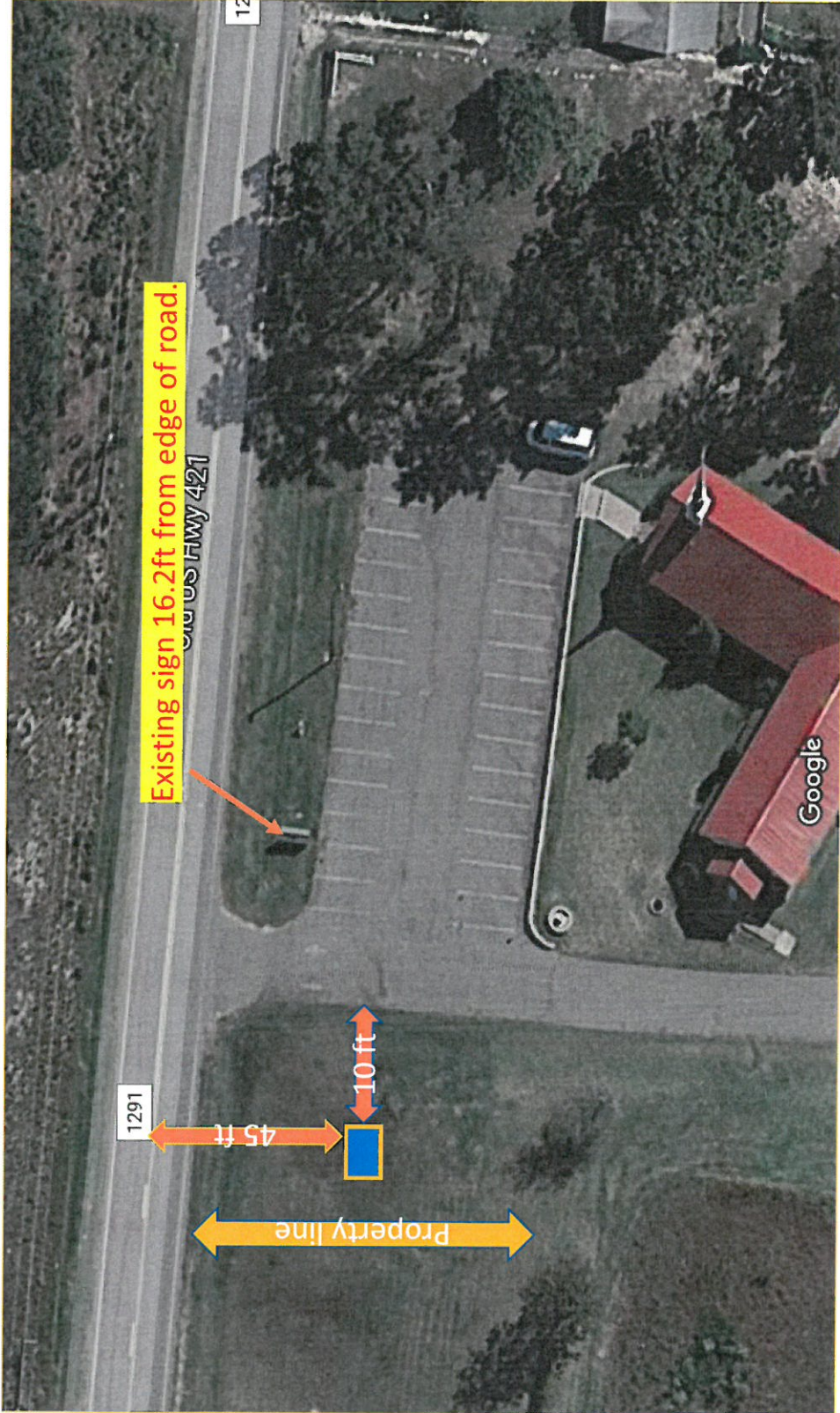
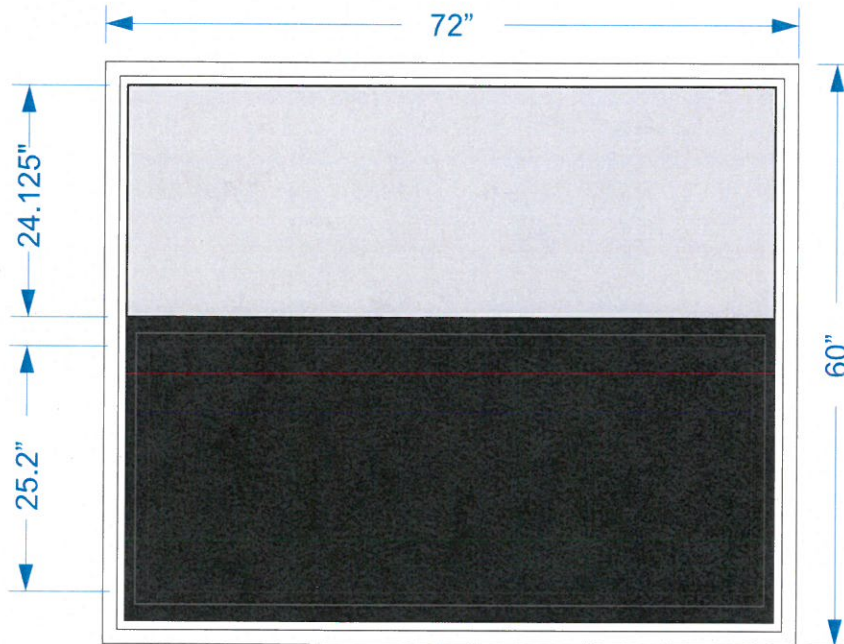


 New sign

Sign will be approximately 45 ft from center line



ID Flat Surface Area: 24.125" x 67.875"
Active LED Area: 25.2" x 63"



TekStar 20mm 32x80
CABINET SIZE: 5'x6'

ID Flat Surface Area: 24.125" x 67.875"
 Active LED Area: 25.2" x 63"



TekStar Color 20mm 32x80
CABINET SIZE: 5'x6'

5/8"=1' Sk: 938488-1-s Cust: 2039835
 11/25/2019 Ca/cMiller SOLD

Header Vinyl: Digital Print
 Paint: Almond Draft: White Cowling Vinyl: N/A

GRAPHICS DISCLAIMER: This custom artwork is not intended to provide an exact match for ink, vinyl, paint, or LED color. Brickwork and masonry are not included in the proposal; Cornerstone products are an exception. Measurements shown are approximations; final product dimensions may vary. LED images shown are simulated to replicate optimum viewing distance. Your sign was designed for an illuminated graphic. Sketches are based off of this premise. Non-illumination during daylight hours may result in graphics of varying appearance.

Approved as shown:

Sign _____
 Date _____

Approved with listed changes:

Sign _____
 Date _____



ORIGINAL DESIGN DO NOT DUPLICATE

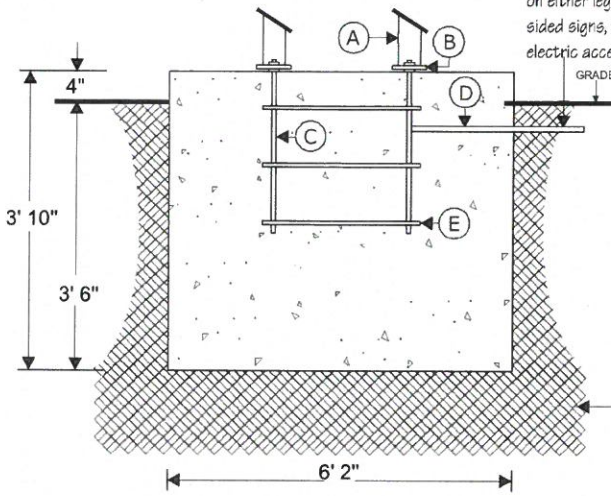
PH. 1-800-237-3928 FAX 1-800-485-4280

LED CAPABILITIES: 1 to 4 Rows, 5.5" to 25.2" character.
 This sign can display video clips, animations and static images, with access to an extensive graphics library.

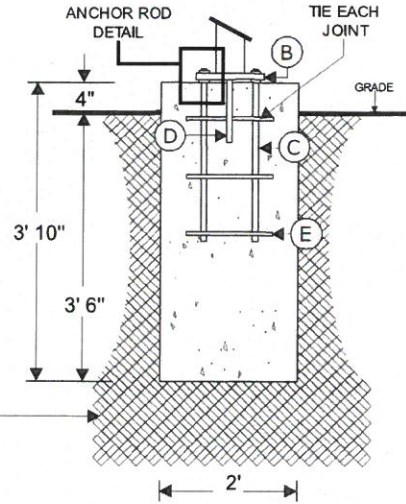


FOOTING SPECIFICATIONS

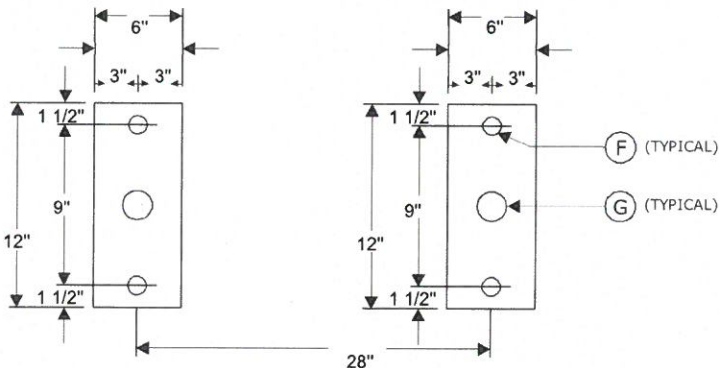
Electric can be run underground in conduit between anchor rods on either leg. NOTE: On single sided signs, facing the sign, electric access is in the right leg.



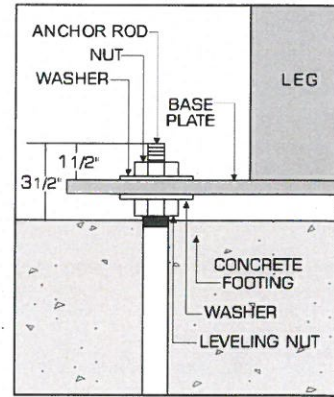
Front View Cross Section



Side View Cross Section



Baseplate Detail



Anchor Rod Detail

SEPARATE STEWART TEMPLATE MUST BE USED TO SET ANCHOR RODS INTO CONCRETE

DRAWING IS NOT TO SCALE

- FOOTER**
 A. Sign l
 B. Base |
 C. 3/4" x
 anchor r
 D. Electr
 E. #5 reb
 by custo
 F. 1 1/4"
 G. 2" dia
- NOTES**
 • 3,000 p
 needed
 • Windlo
 Exposur



- CONT/**
 C
 1-
 cr
- CUSTC**
 M
 9-
 B
 C
 Q
- SIGN S**
 S
 IC
 Lr
 Lr
 W
 O



2201 Cantu Ct. Suite 215 Sarasota, FL 34232
 1-800-237-3928 www.stewartsigns.com