

PRODUCTION SPECIFICATIONS

CONSTRUCTION: Internal framework to be constructed of electric welded angle of sufficient size & strength to rigidly support all members and covered with heavy gauge aluminum. All fasteners, bolts, screws, rivets, etc. shall be of rust resistant material.

ILLUMINATION: Sign to be lighted externally by six (6) Howard Lighting Products SLF-LED small ground flood lights. SLF Series 46W: 4,520 Lumens. These components will be installed in the most desirable manner to illuminate this display.

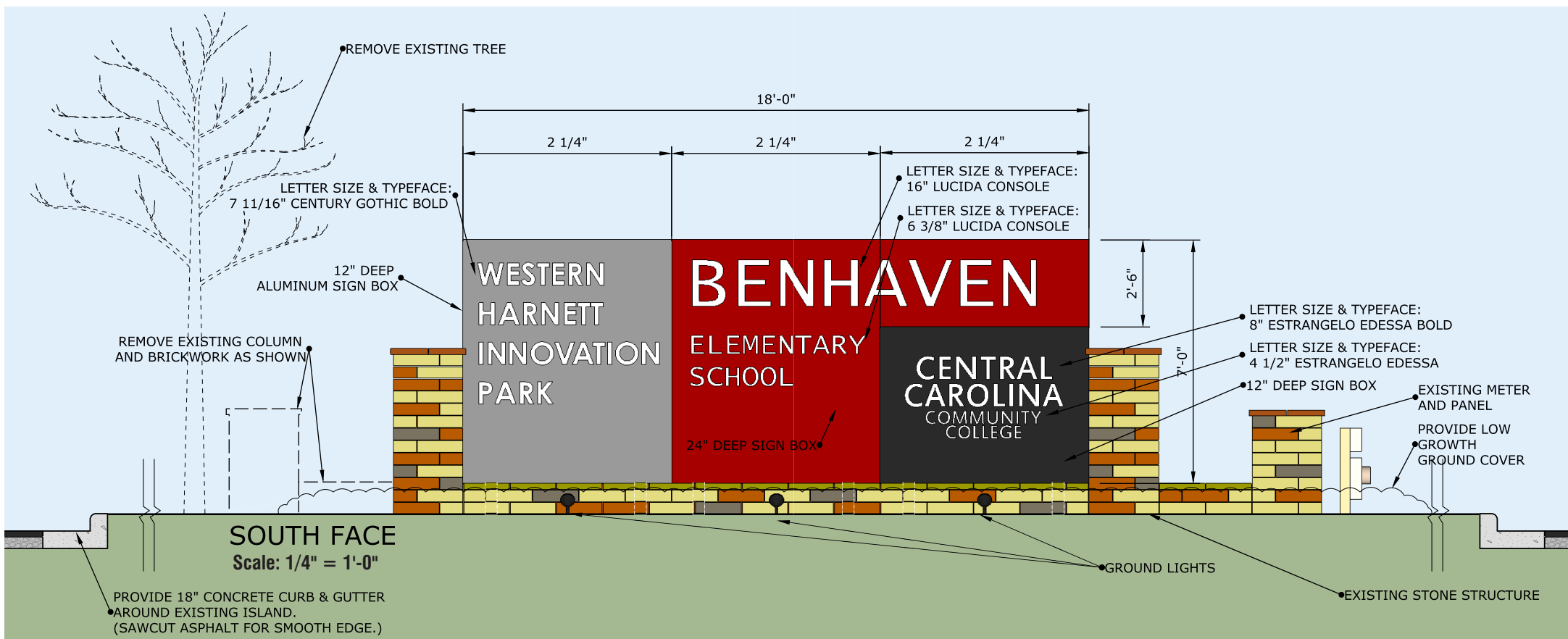
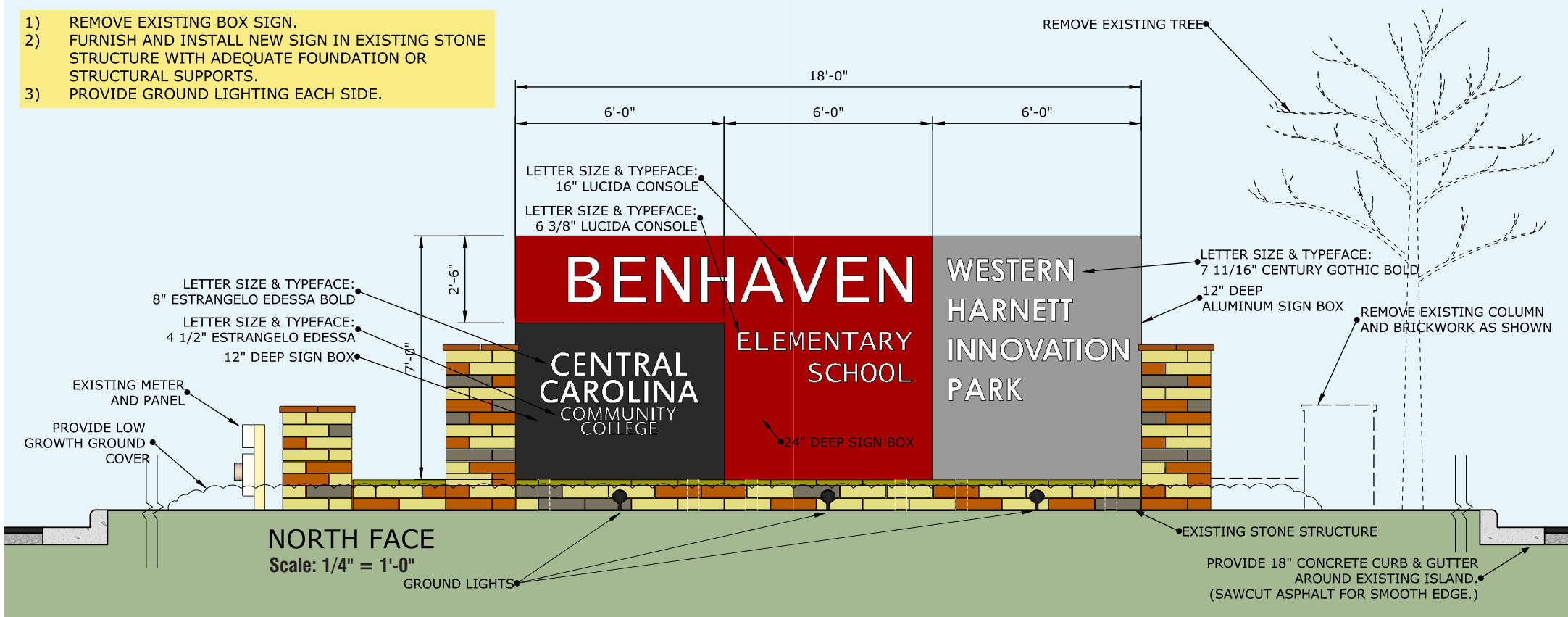
FACES: Background area of copy to be of heavy gauge aluminum.

COPY: Copy reading: "Western Harnett Innovation Park", "Benhaven Elementary School" and "Central Carolina Community College" to be of individual computer cut 1/4" thick aluminum plate letters with 1/4" stand-offs reading the same on both sides of display.

METAL DECOR: Decorative cabinets to be constructed of heavy gauge aluminum reinforced with extruded aluminum components and finished in polyurethane enamel.

METAL COLORS: Metal work to be cleaned, primed and finished in polyurethane enamel as per approved drawing unless specified otherwise.

ERECTION: The above-described display to be installed on three (3) 4" x 4" x .250 structural steel columns featuring NC DOT approved break-away plates secured to existing reinforced concrete structure at 7'-0" O.A. height. Note: Proposed modifications to existing masonry paver base on leading edge of sign to be performed by others.



5800 McHines Place, Suite 110
Raleigh, NC 27616
919.789.1452
www.capitalsignsolutions.com

© Copyright 2018 All designs and drawings are the sole property of Capital Sign Solutions, and may not be reproduced, published, changed or used in any way without written permission and consent. In addition, all ideas, contents of proposals, and all specifications of any project entered into with Capital Sign Solutions are all rights reserved.

Client:
WESTERN HARNETT INNOVATION PARK

Filename:
Western Harnett Innovation Park - Monument Sign

Date:
04-10-19

Designer:
HH

Drawing No:
H-OR14878-1

Scale:
As Noted

Revision 1:

Revision 2:

Revision 3:

Revision 4:

Revision 5:

Revision 6:

By signing below, I confirm I have reviewed this proof carefully, found it to be correct, and approve this project

Customer Signature Date

© Copyright 2018 All designs and drawings are the sole property of Capital Sign Solutions, and may not be reproduced, published, changed or used in any way without written permission and consent. In addition, all ideas, contents of proposals, and all specifications of any project entered into with Capital Sign Solutions are all rights reserved.

Client:
**WESTERN
HARNETT
INNOVATION
PARK**

Filename:
**Western Harnett Innovation
Park - Monument Sign**

Date:
04-10-19

Designer:
HH

Drawing No:
H-OR14878-2

Scale:
As Noted

Revision 1:

Revision 2:

Revision 3:

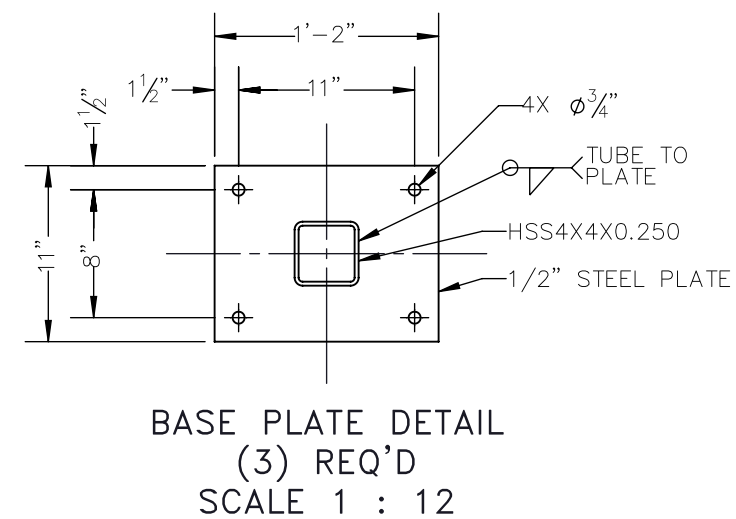
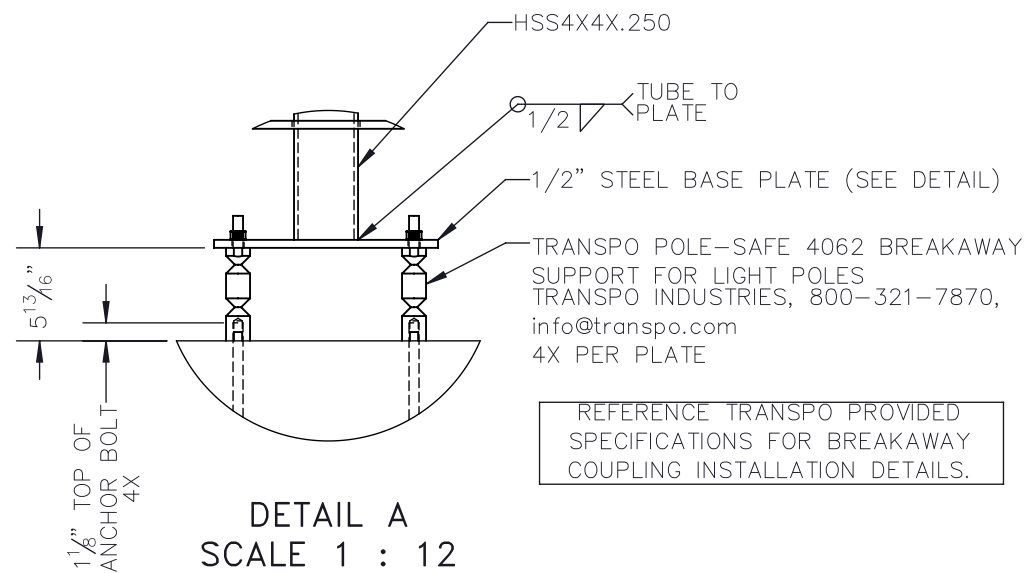
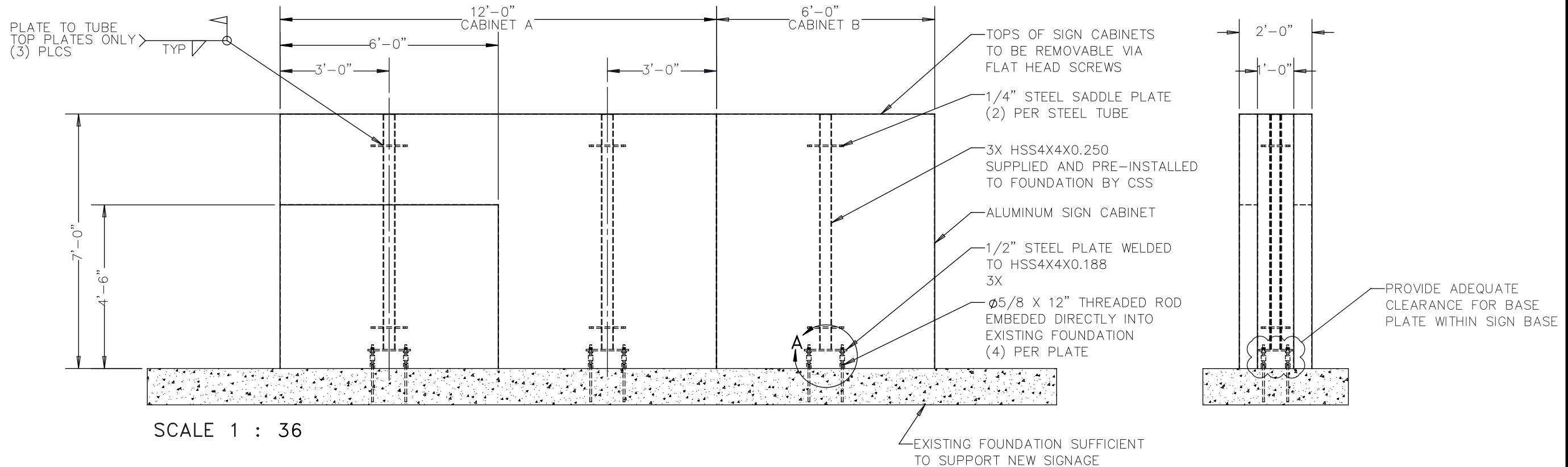
Revision 4:

Revision 5:

Revision 6:

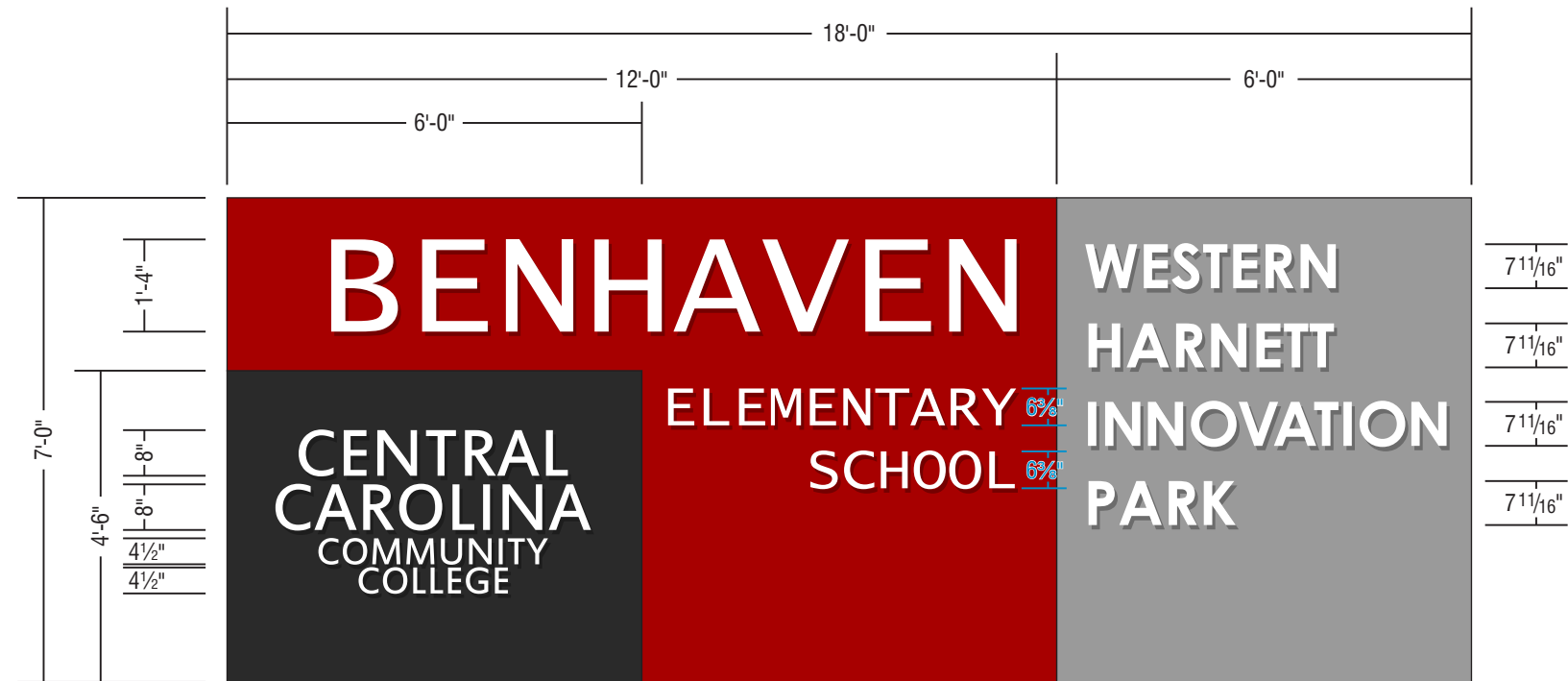
By signing below, I confirm I have reviewed this proof carefully, found it to be correct, and approve this project

Customer Signature Date

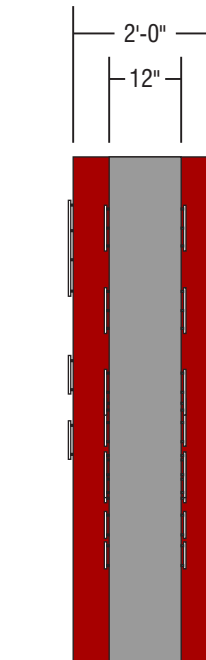


NOTES:

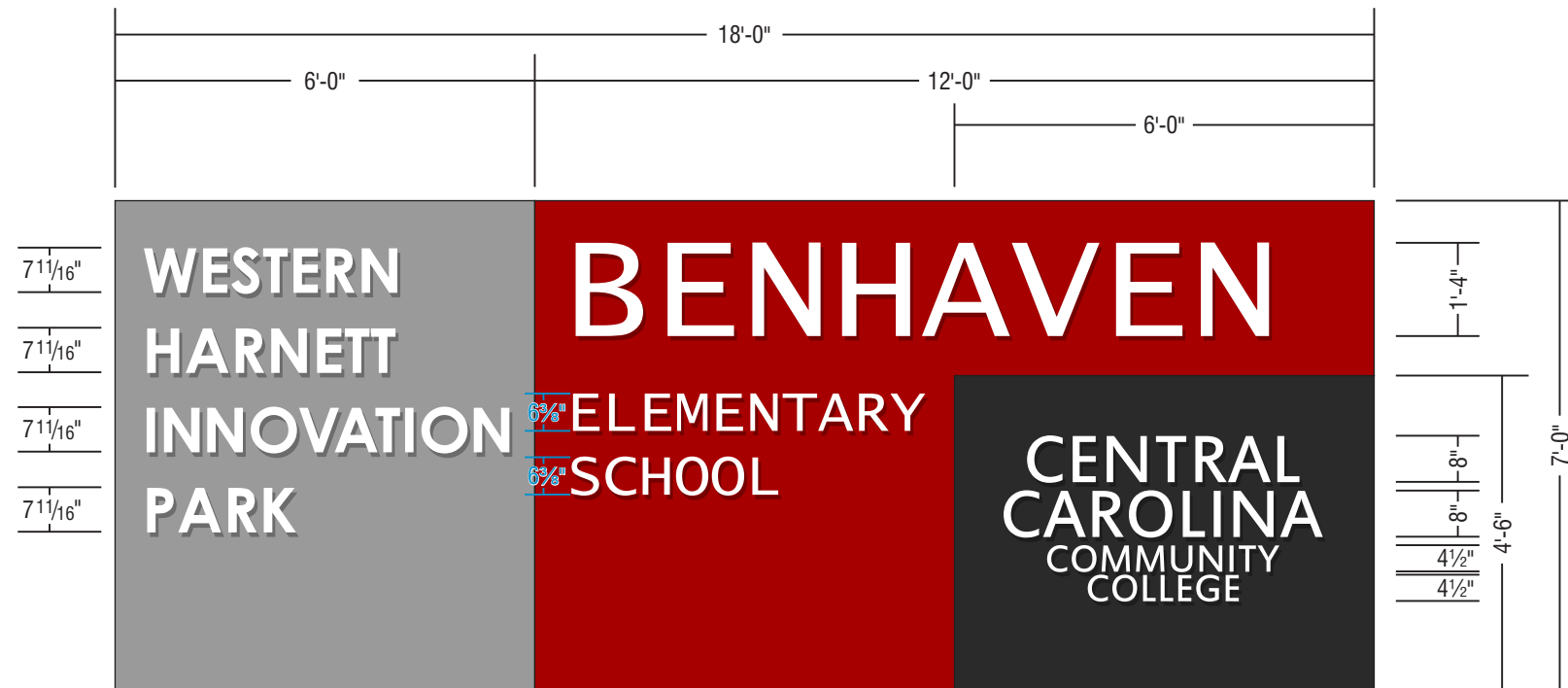
1. CABINETS TO HAVE ANGLE GUIDES TO ASSIST SLEEVING SIGNS OVER STEEL DURING FIELD INSTALLATION.
2. REFERENCE DESIGN DRAWINGS FOR COPY AND FINISH SPECIFICATIONS.
3. NO ACCESS POINTS OR VISIBLE FASTENERS ON SIGN FACES.



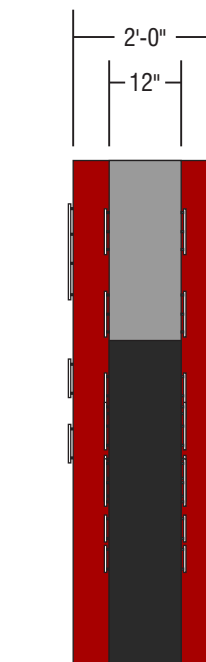
NORTH FACE - Scale: 3/8" = 1'-0"



End View



SOUTH FACE - Scale: 3/8" = 1'-0"



End View



5800 McHines Place, Suite 110
Raleigh, NC 27616

919.789.1452

www.capitalsignsolutions.com

© Copyright 2018 All designs and drawings are the sole property of Capital Sign Solutions, and may not be reproduced, published, changed or used in any way without written permission and consent. In addition, all ideas, contents of proposals, and all specifications of any project entered into with Capital Sign Solutions are all rights reserved.

Client:
**WESTERN
HARNETT
INNOVATION
PARK**

Filename:
**Western Harnett Innovation
Park - Monument Sign**

Date:
04-10-19

Designer:
HH

Drawing No:
H-OR14878-4

Scale:
Not to Scale

Revision 1:

Revision 2:

Revision 3:

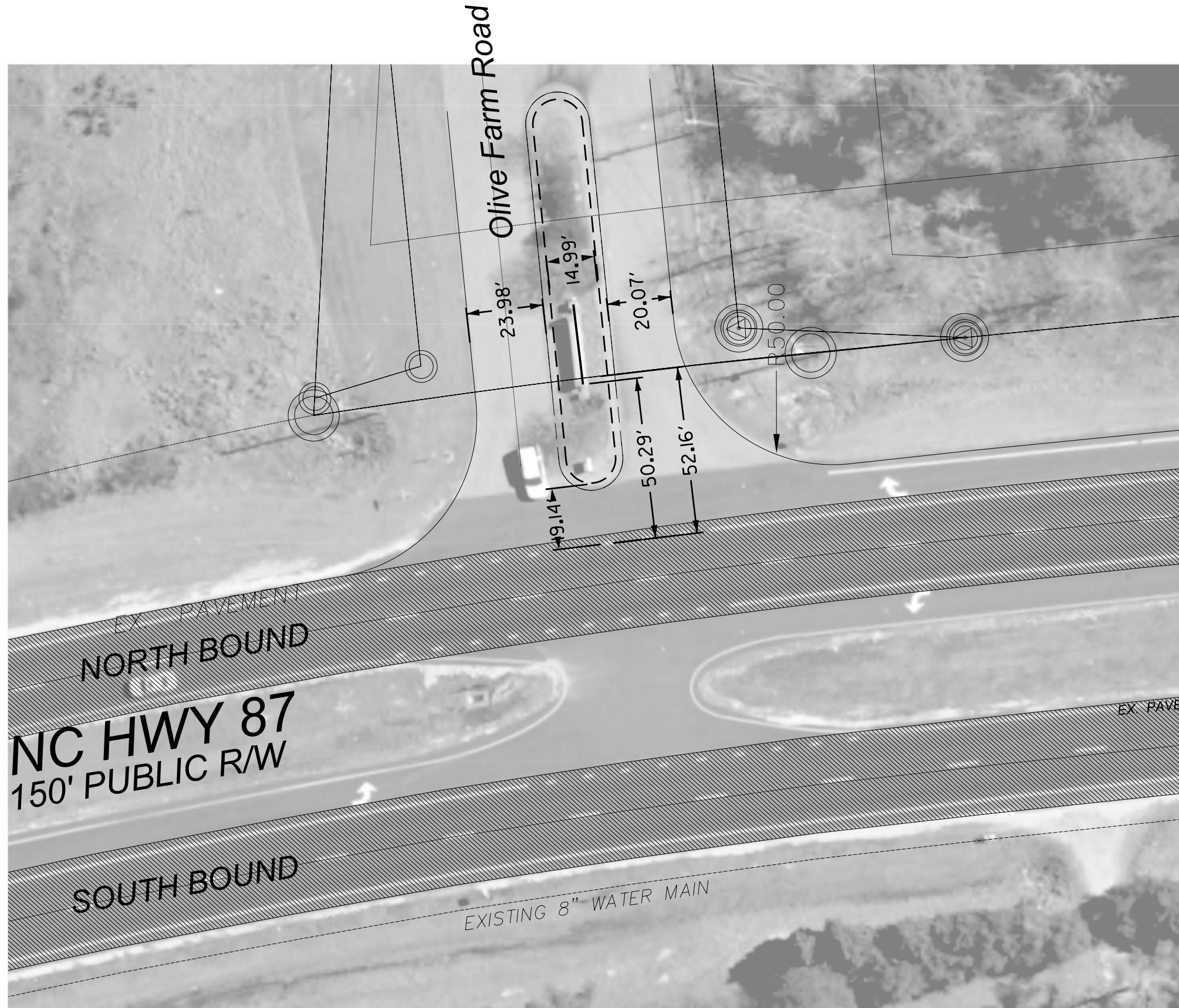
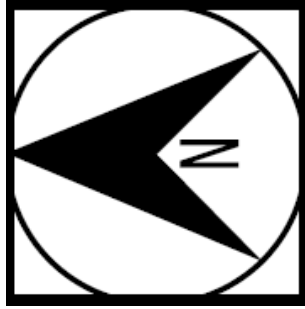
Revision 4:

Revision 5:

Revision 6:

By signing below, I confirm I have reviewed this proof carefully, found it to be correct, and approve this project

Customer Signature Date



CAPITAL SIGN SOLUTIONS
 5800 McHines Place, Suite 110
 Raleigh, NC 27616
 919.789.1452
 www.capitalsignsolutions.com

© Copyright 2018 All designs and drawings are the sole property of Capital Sign Solutions, and may not be reproduced, published, changed or used in any way without written permission and consent. In addition, all ideas, contents of proposals, and all specifications of any project entered into with Capital Sign Solutions are all rights reserved.

Client:
WESTERN HARNETT INNOVATION PARK

Filename:
Western Harnett Innovation Park - Monument Sign

Date:
04-10-19

Designer:
HH

Drawing No:
H-OR14878-5

Scale:
Not to Scale

- Revision 1:
- Revision 2:
- Revision 3:
- Revision 4:
- Revision 5:
- Revision 6:

By signing below, I confirm I have reviewed this proof carefully, found it to be correct, and approve this project

Customer Signature Date