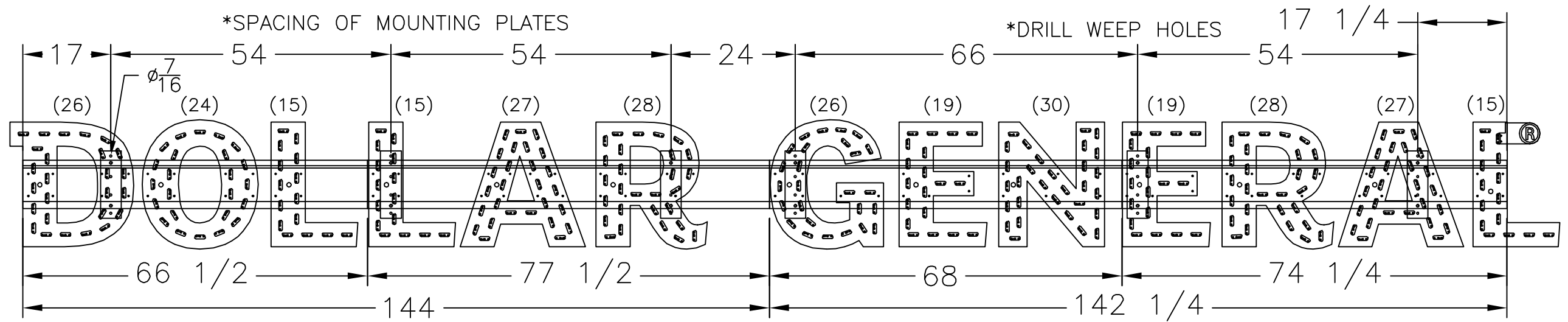


® YELLOW VINYL ON CLEAR POLY TAB



*BOLT LETTERS TO RACEWAYS USING 1/4" HARDWARE

*JOIN SMALLER RACEWAY SECTIONS INTO TWO LONGER LENGTHS AS SHOWN

(3) MODULES PER FT. (WHITE)
(100) FEET...299 MODULES

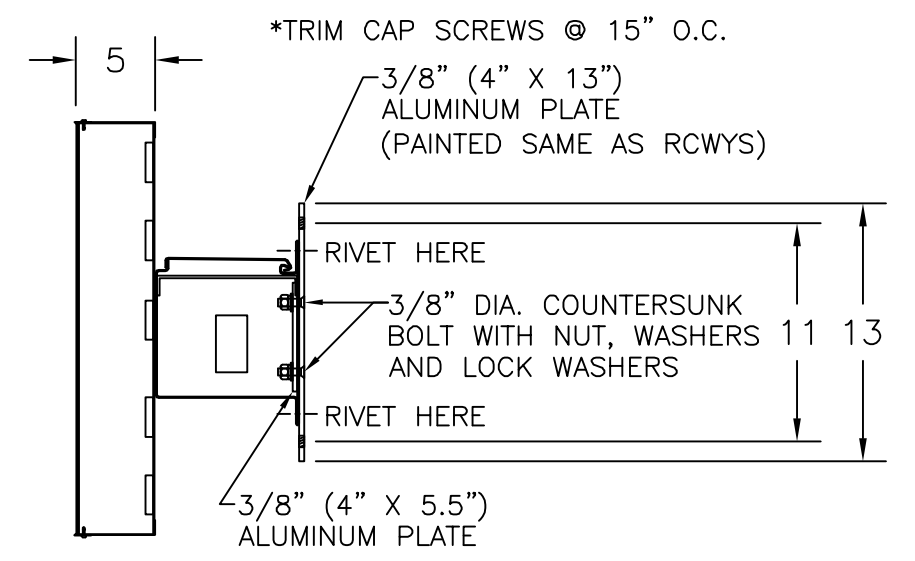
(3) LED 60 WATT;
12VOLT POWER SUPPLIES

0.8 AMPS EACH (INPUT)
TOTAL (2.4 AMPS) @100-277V
*USE (1) 20 AMP CIRCUIT

	THICK	COLOR
FACE	.177 ACRY	#2037 YELLOW
BACK	.063 ALUM	WHITE
TRIMCAP	1"	BLACK
LED	N/A	LS-CORE-45K-G1 WHT AGIL
RETURN	.040 ALUM	MATTE BLACK
RCWY	.063 ALUM	AS PER RELEASE

NOTE: 127.75 FT. OF FILLER

THIS SIGN IS INTENDED TO BE INSTALLED IN ACCORDANCE WITH THE REQUIREMENTS OF ARTICLE 600 OF THE NATIONAL ELECTRICAL CODE AND/OR OTHER APPLICABLE LOCAL CODES. THIS INCLUDES PROPER GROUNDING AND BONDING OF THE SIGN



FAX TO: CHRIS KOOB FROM: BRIAN G. HALL DATE 07/15/13

APPROVED BY _____ DATE _____
NOTE: ORDER CANNOT BE PROCESSED FROM ENGINEERING TO MANUFACTURING WITHOUT CUSTOMER APPROVAL DELAYS IN OBTAINING NECESSARY APPROVAL WILL ALTER PROJECTED SHIP DATE

***USE ACCUBEND FILE (6091AC1)**

ITEM		FILE		SHEET 1 OF 2	
<p>Everbrite 4949 So. 110th St. P.O. Box 20020 Greenfield, WI 53220 414-529-3500</p>					
<p>These drawings are the exclusive property of Everbrite, Inc. Use of, or duplication in any manner without express written permission of Everbrite, Inc. is prohibited.</p>					
TITLE LTR, DG 24" DG LED RCWY HWL					
DRN CKD	BGH	DT DT	07/15/13	SCALE NTS	DRWG NR E006095B
					REV A