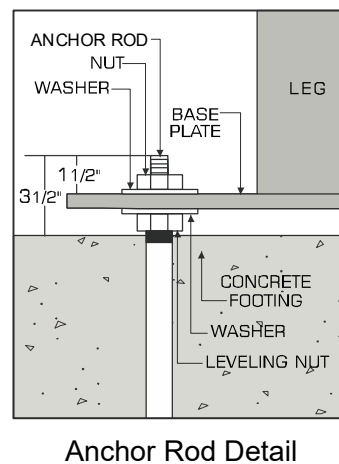
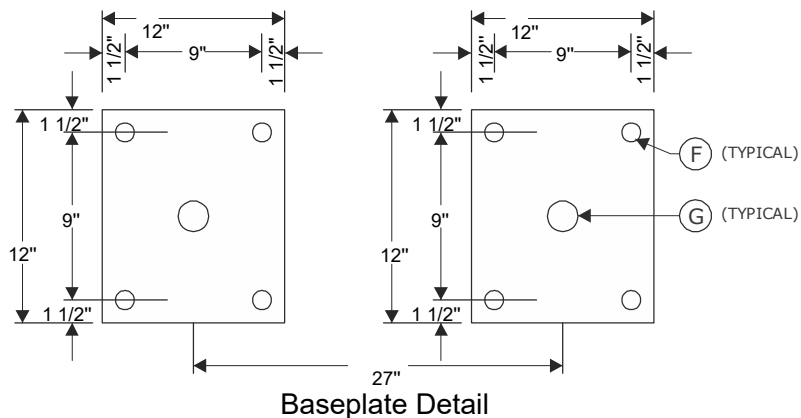
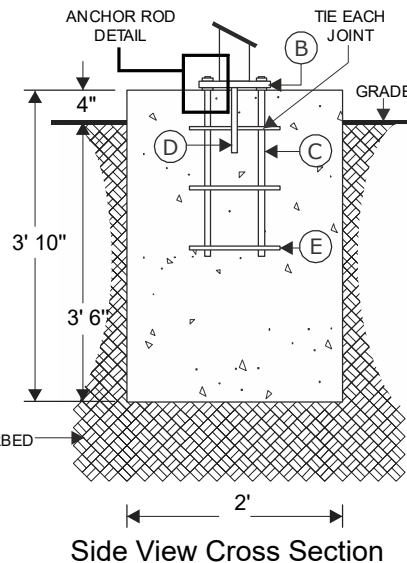
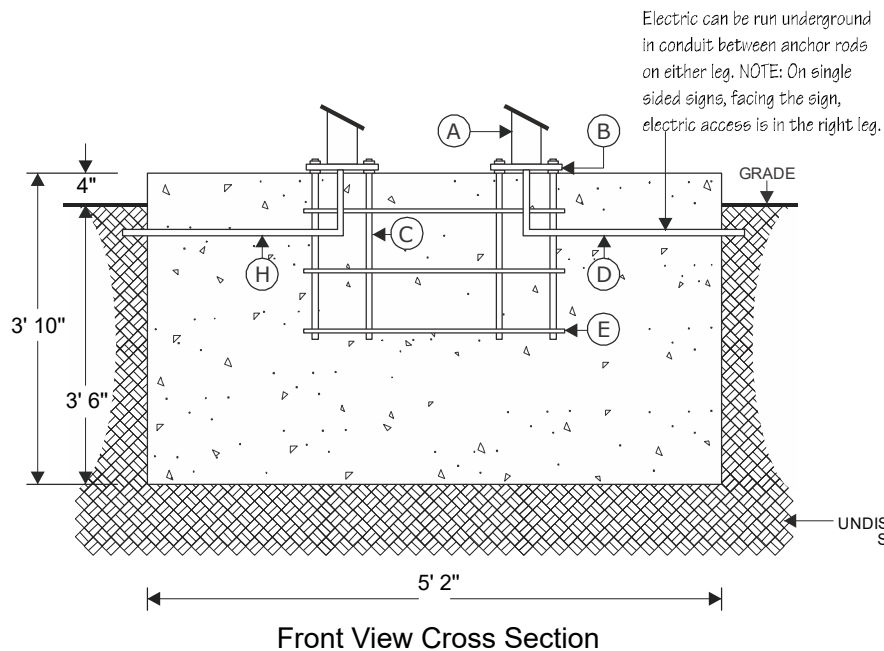


FOOTING SPECIFICATIONS

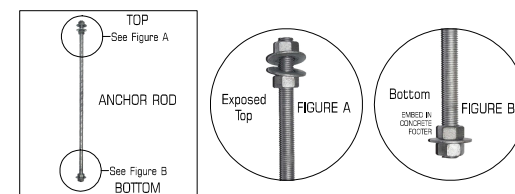


FOOTER DETAIL

- A. Sign legs
- B. Base plates
- C. 3/4" x 30" anchor rods, 8 required. Tape anchor rod threads for protection against sand.
- D. Electrical conduit (supplied by customer)
- E. #5 rebar or better, tied at each joint (supplied by customer)
- F. 1 1/4" diameter anchor bolt holes
- G. 2" diameter electrical hole
- H. Data conduit (LED sign models only, if applicable)

NOTES

- 3,000 psi concrete: less than 1.47 cubic yards needed
- Windload: design meets or exceeds 120 mph Exposure B



CONTACT

Brad Schmid
1-888-237-3928, x2040
bradschmid@stewartsigns.com

CUSTOMER INFORMATION

Overhills Community Baptist Church
948 Overhills Rd
Linden, NC 28356
Customer #1344468
Order #994922-2

SIGN SPECIFICATIONS

Sign Model: TekStar (T)
ID Cabinet Size: 5' x 8'
Leg Height: 3' 6"
Leg Width: 2' 8"
Windload: 120 mph Exposure B
On Center Dimension: 27"

SEPARATE STEWART TEMPLATE MUST BE USED TO SET ANCHOR RODS INTO CONCRETE

DRAWING IS NOT TO SCALE