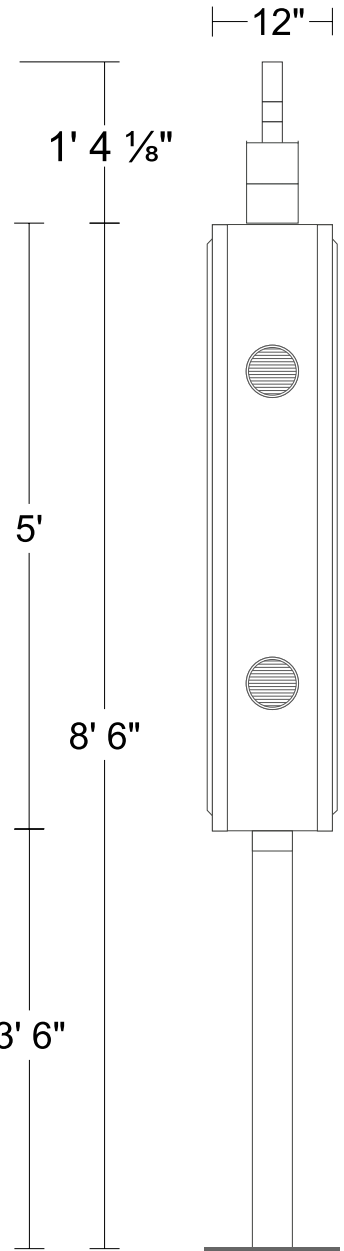


**1014517-1-s Photo real header**  
Dimensions: 24.5" x 91.5"  
With bleed: 25" x 92"



TUFFAK® SL vandal cover in front of the LED display protects from impacts and the sun.

USB

**Stewart Signs**  
ONE SIGN. ONE COMPANY  
1-800-237-3928 [stewartsigns.com](http://stewartsigns.com)

**TekStar Color 16mm 40x140**  
Cabinet Size: 5'x8'  
Sk: 1014517-1-s Cust: 1344468  
6/22/2023 F/bSchmid SOLD  
Scale: 5/8"=1' Cabinet Color: White  
**SIGN DESIGN 301259**

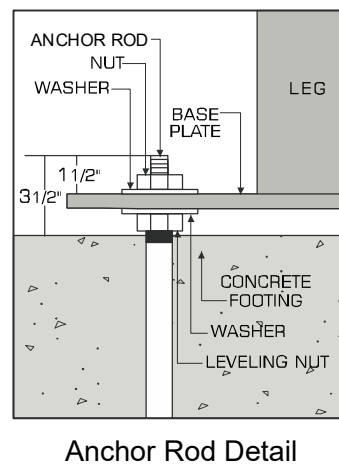
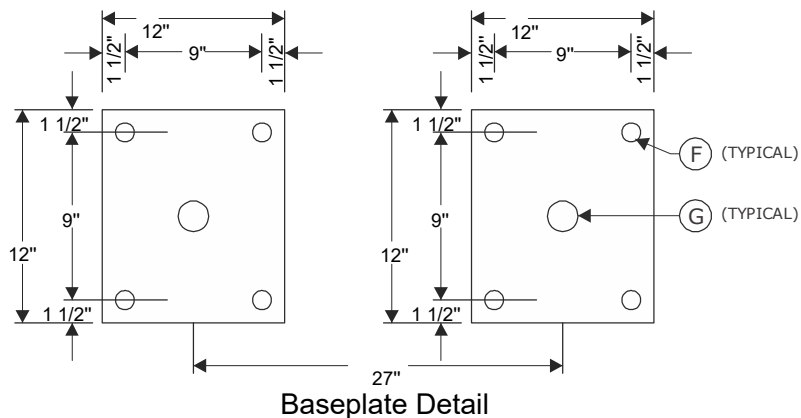
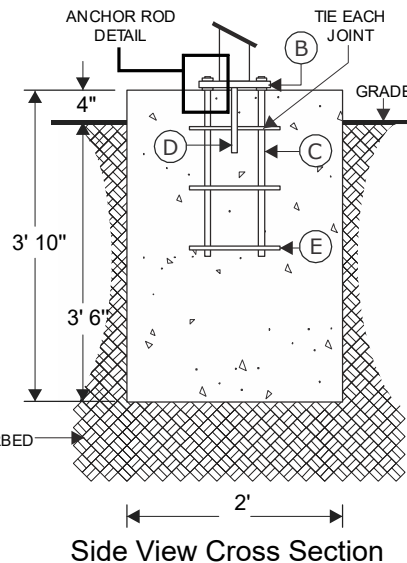
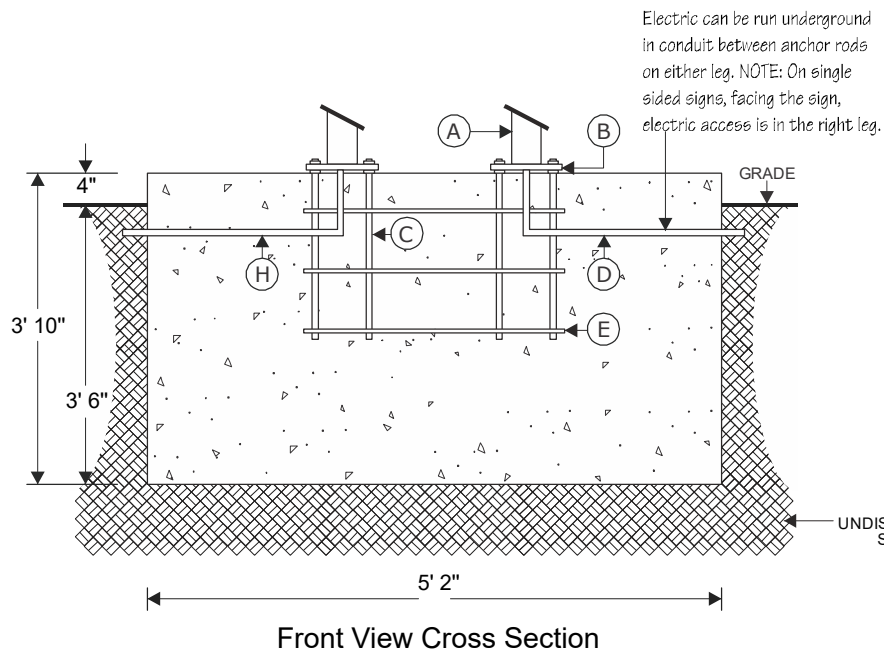
Signature \_\_\_\_\_

Date \_\_\_\_\_

Please confirm that all lettering, colors and graphics are correct before signing. Changes to artwork after signature is received will incur a \$200 art change fee.



# FOOTING SPECIFICATIONS

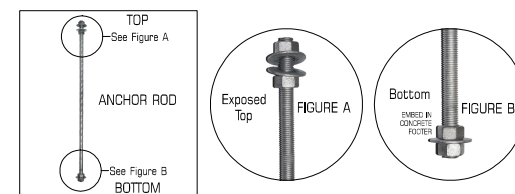


## FOOTER DETAIL

- A. Sign legs
- B. Base plates
- C. 3/4" x 30" anchor rods, 8 required. Tape anchor rod threads for protection against sand.
- D. Electrical conduit (supplied by customer)
- E. #5 rebar or better, tied at each joint (supplied by customer)
- F. 1 1/4" diameter anchor bolt holes
- G. 2" diameter electrical hole
- H. Data conduit (LED sign models only, if applicable)

## NOTES

- 3,000 psi concrete: less than 1.47 cubic yards needed
- Windload: design meets or exceeds 120 mph Exposure B



## CONTACT

Brad Schmid  
1-888-237-3928, x2040  
bradschmid@stewartsigns.com

## CUSTOMER INFORMATION

Overhills Community Baptist Church  
948 Overhills Rd  
Linden, NC 28356  
Customer #1344468  
Order #994922-2

## SIGN SPECIFICATIONS

Sign Model: TekStar (T)  
ID Cabinet Size: 5' x 8'  
Leg Height: 3' 6"  
Leg Width: 2' 8"  
Windload: 120 mph Exposure B  
On Center Dimension: 27"

**SEPARATE STEWART TEMPLATE MUST BE USED TO SET ANCHOR RODS INTO CONCRETE**

**DRAWING IS NOT TO SCALE**