

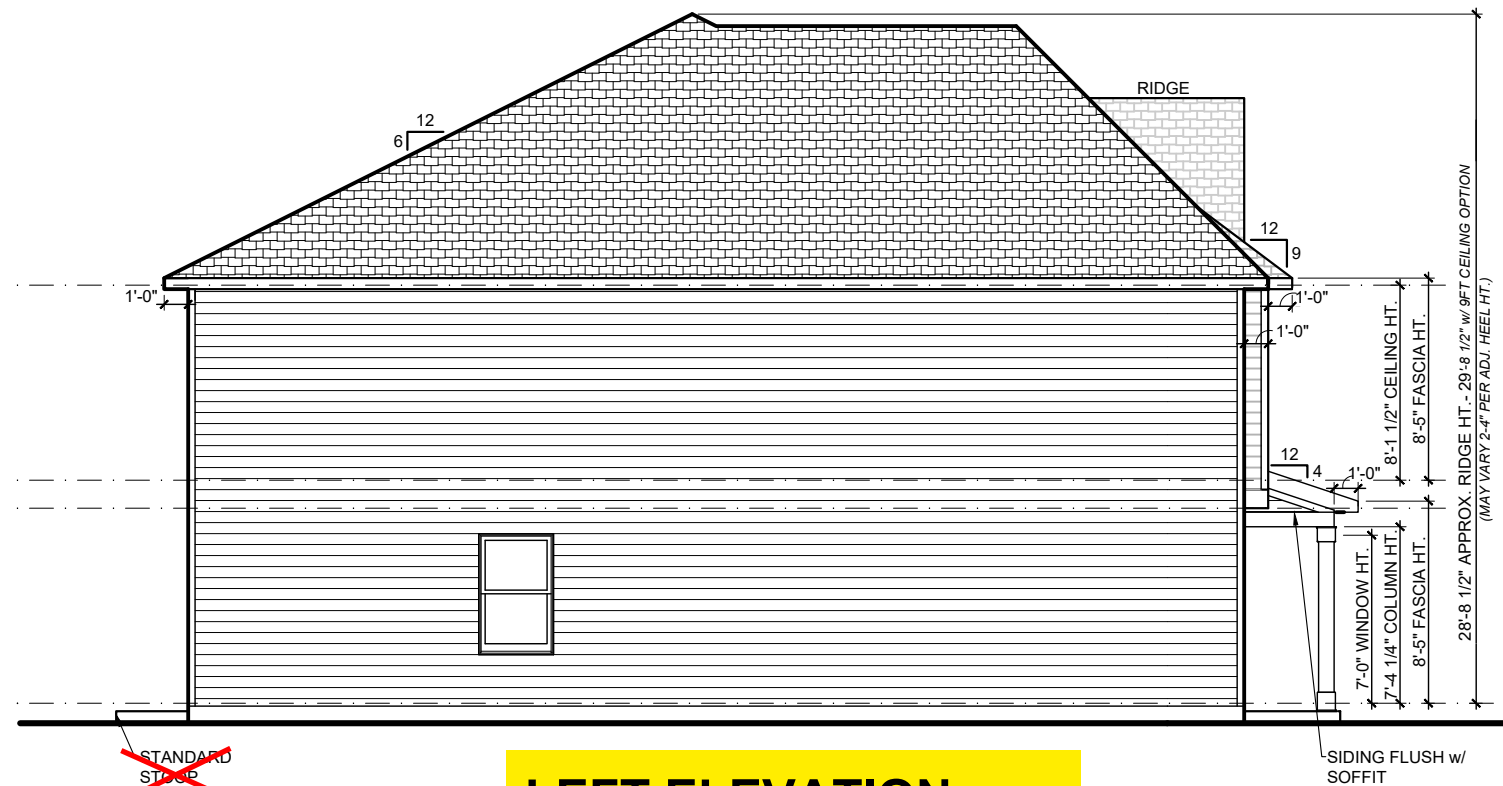
9FT CEILING OPTION NOTES:

- Fascia heights from 1st Flr of main house increase 12in.
Fascia heights from 2nd Flr of main house remain the same.
- Fascia/beam/column heights at Front and Rear Porches remain the same.
- Roof pitch at porch may change. Follow notes at elevations.
- Window heights and sizes remain the same.

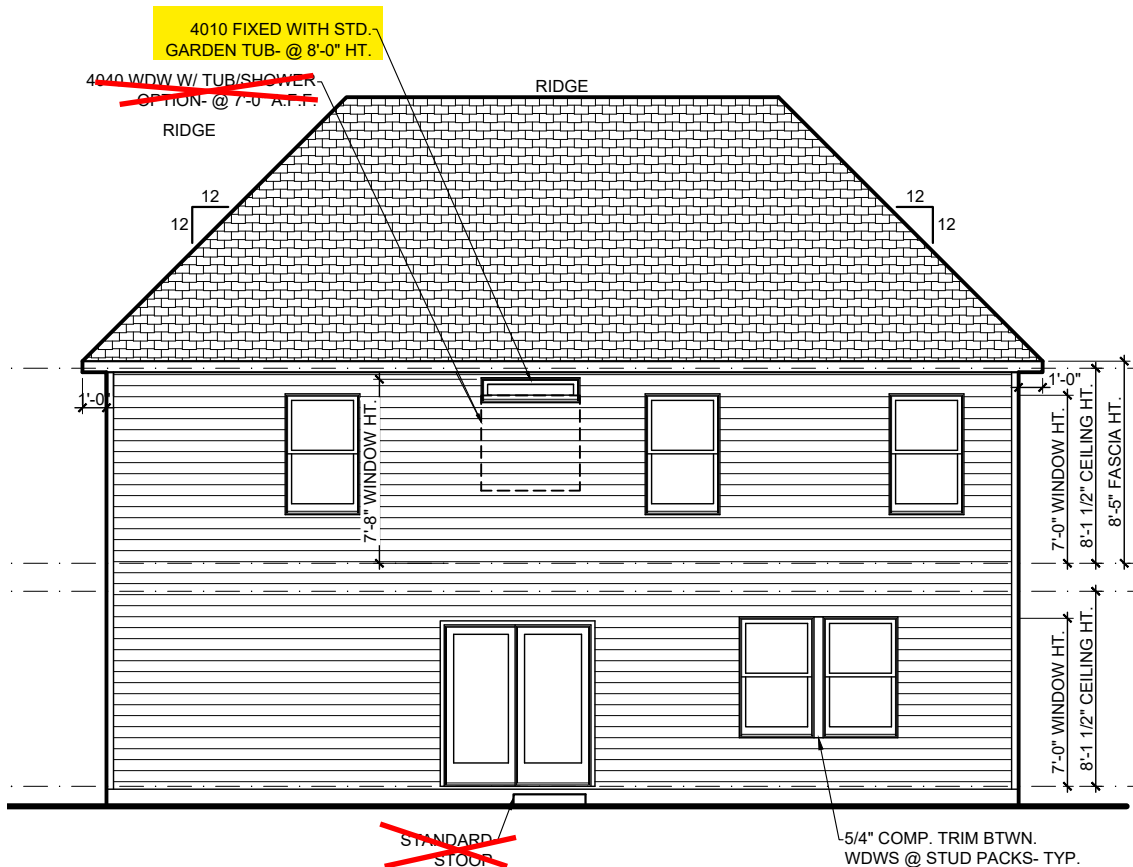


D Square Footages:

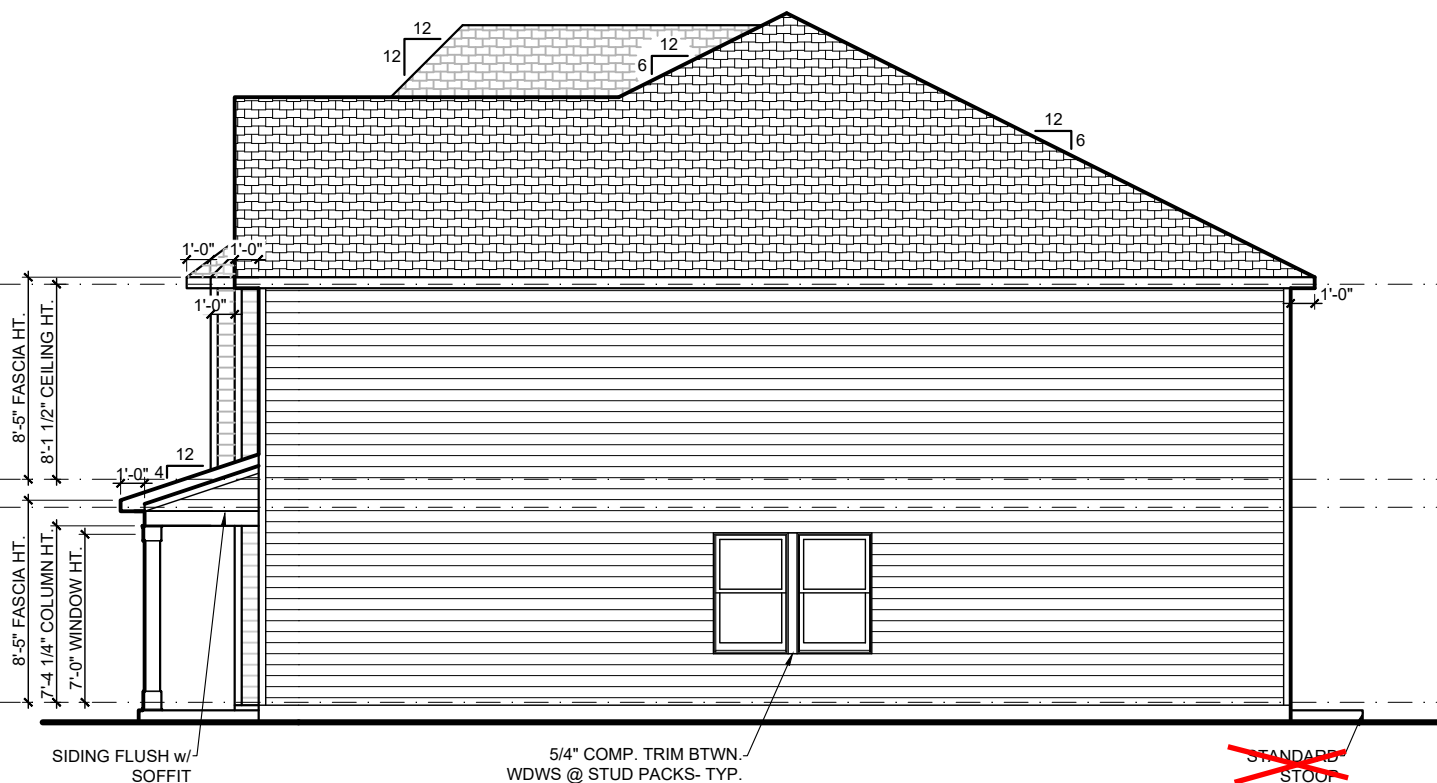
1st Floor1235
2nd Floor1609
Garage412
Front Porch102
Covered Porch Optional120
3rd Car Garage Option220



LEFT ELEVATION
1/8" = 1'-0"



REAR ELEVATION
1/8" = 1'-0"



RIGHT ELEVATION
1/8" = 1'-0"

Telfair D
Genesis Series
V.04.03.00.00
GARAGE LEFT

Features:
Drawn By: pla
Rev By: cja,atw
jsc,EB
Date: 12/2/2024

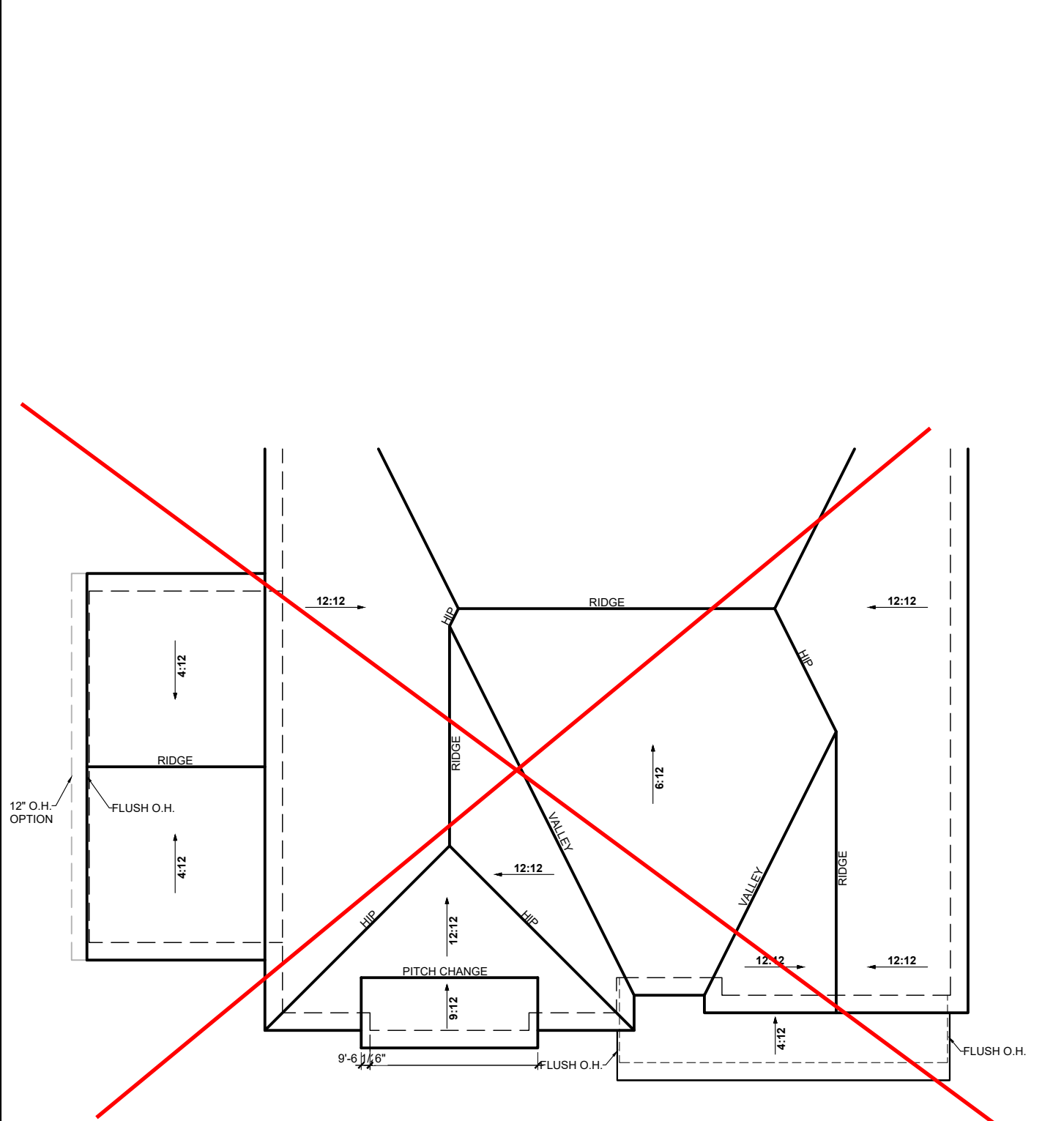
A2



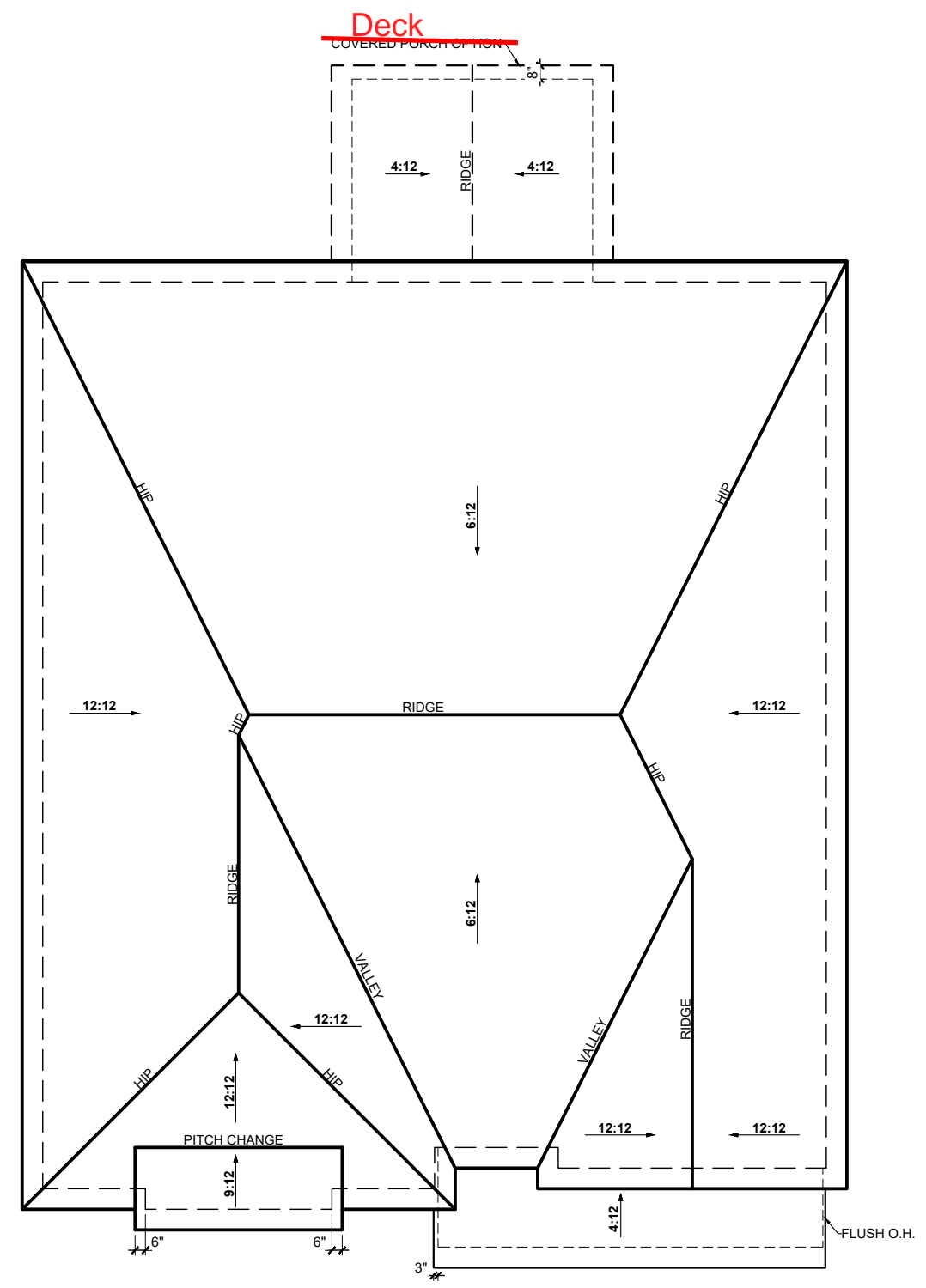
NOTES:
 1. ALL OVERHANGS ARE 1'-0" U.N.O.
 2. ROOF PLANS *DO NOT* INCLUDE FULL BRICK OPTIONS.
 3. ROOF PLANS ARE NOT INTENDED FOR CONSTRUCTION USE. (INFORMATIONAL USE ONLY)
 4. BE SURE TO CHECK OVERHANG INFORMATION AT PLAN WHEN CALCULATING SOFFIT INTAKE

D Square Footages:

1st Floor.....	1235
2nd Floor.....	1609
Garage.....	412
Front Porch.....	102
Covered Porch Optional.....	120
3rd Car Garage Option.....	220



3rd Car Garage Option
 1/8" = 1'-0"



ROOF PLAN
 1/8" = 1'-0"

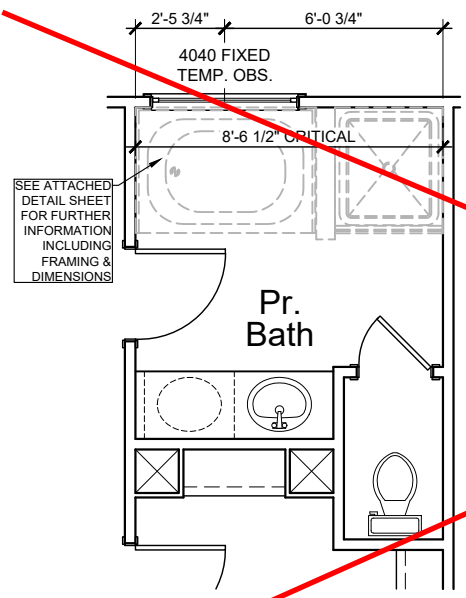
ROOF INFORMATION SUMMARY

MAIN ROOF-	
Base House:	
Attic Square Footage.....	1656 sf
Flat Soffit.....	148 lf
Ridge.....	43 lf
AREA(S) NOT AFFECTING MAIN ROOF-	
Front Porch:	
Attic Square Footage.....	77 sf
Flat Soffit.....	19 lf
Roof to Wall Ridge.....	17 lf
Rear Covered Porch Option:	
Attic Square Footage.....	115 sf
Flat Soffit.....	20 lf
Ridge.....	9 lf

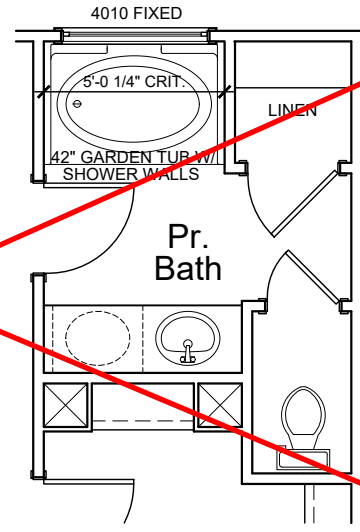
Telfair D
 Genesis Series
 V.04.03.00.00
 GARAGE LEFT

Features:
 Drawn By: pla
 Rev By: cja,atw
 jsc,EB
 Date: 12/2/2024

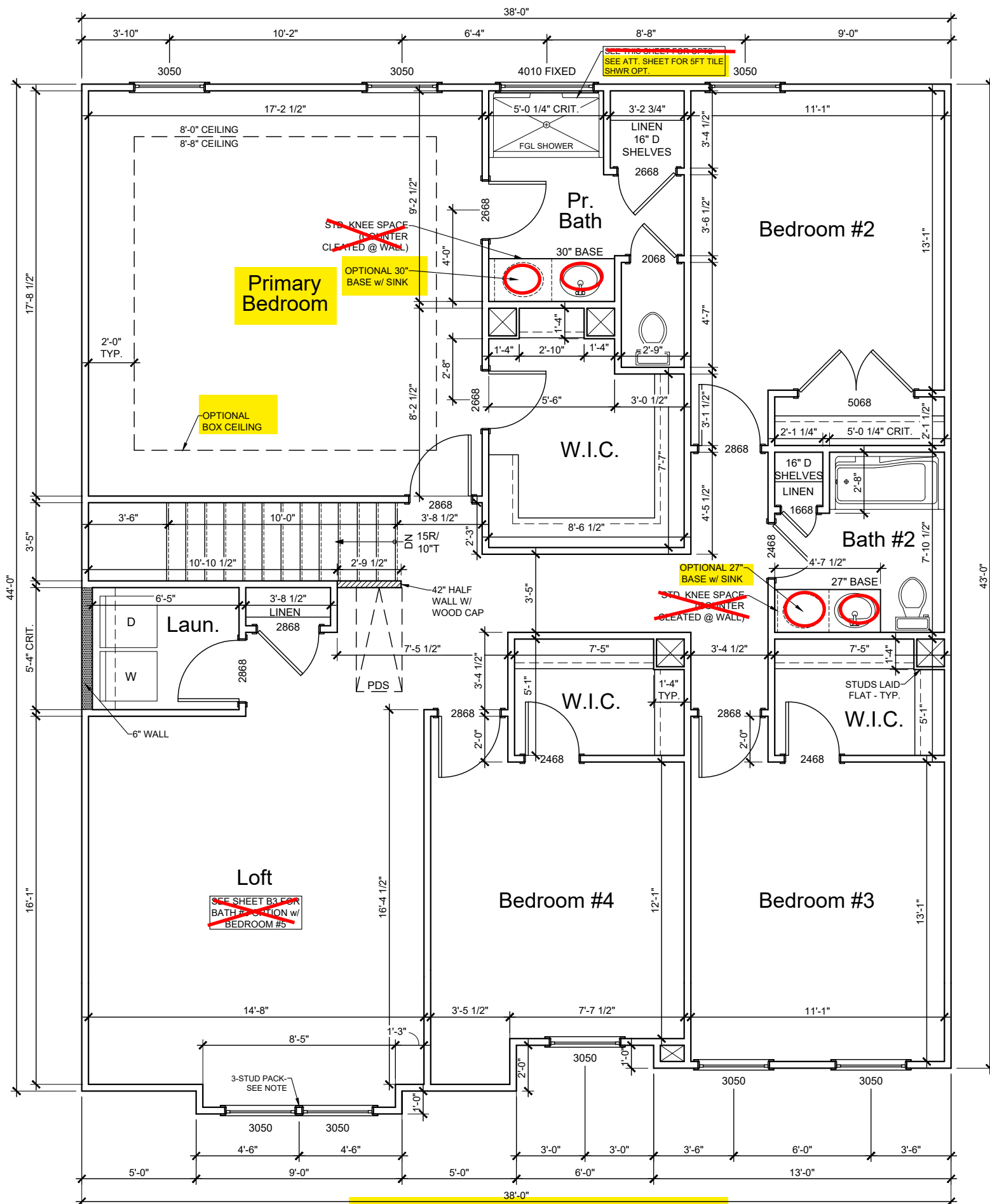
A-R 1



Tub/ Shower Option
 FOR ORIENTATION PURPOSES ONLY
 @ PRIMARY BATH @ 2ND FLOOR



Garden Tub Opt.
 3/16" = 1'-0" @ PRIMARY BATH



SECOND FLOOR
 3/16" = 1'-0"

B2	Features:
	Drawn By: pla Date: 12/2/2024
	Rev By: cja, atw jsc, EB

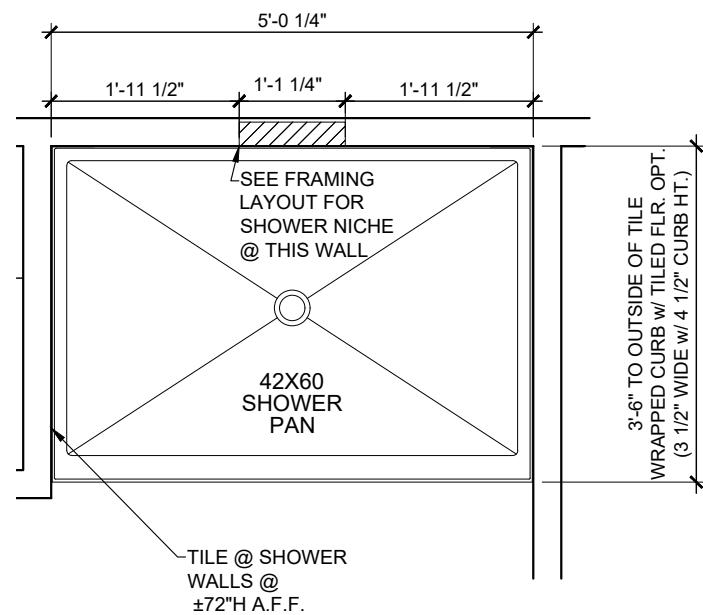
Telfair D

Genesis Series
 v.04.03.00.00

GARAGE LEFT

1st Floor.....	1235
2nd Floor.....	1609
Garage.....	412
Front Porch.....	102
Covered Porch Optional.....	120
3rd Car Garage Option.....	220

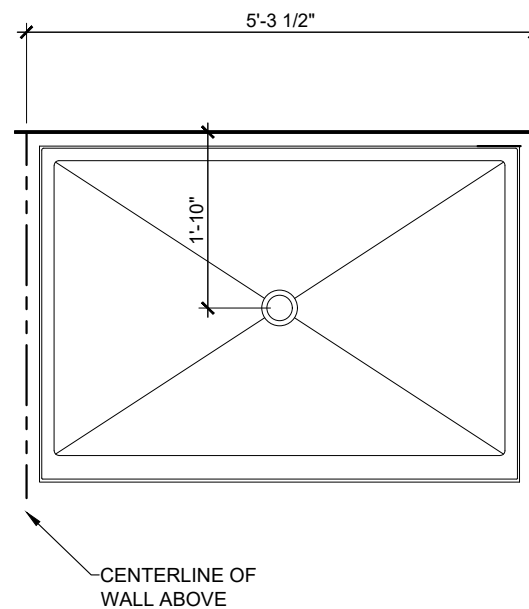
D Square Footages:



FLOOR PLAN

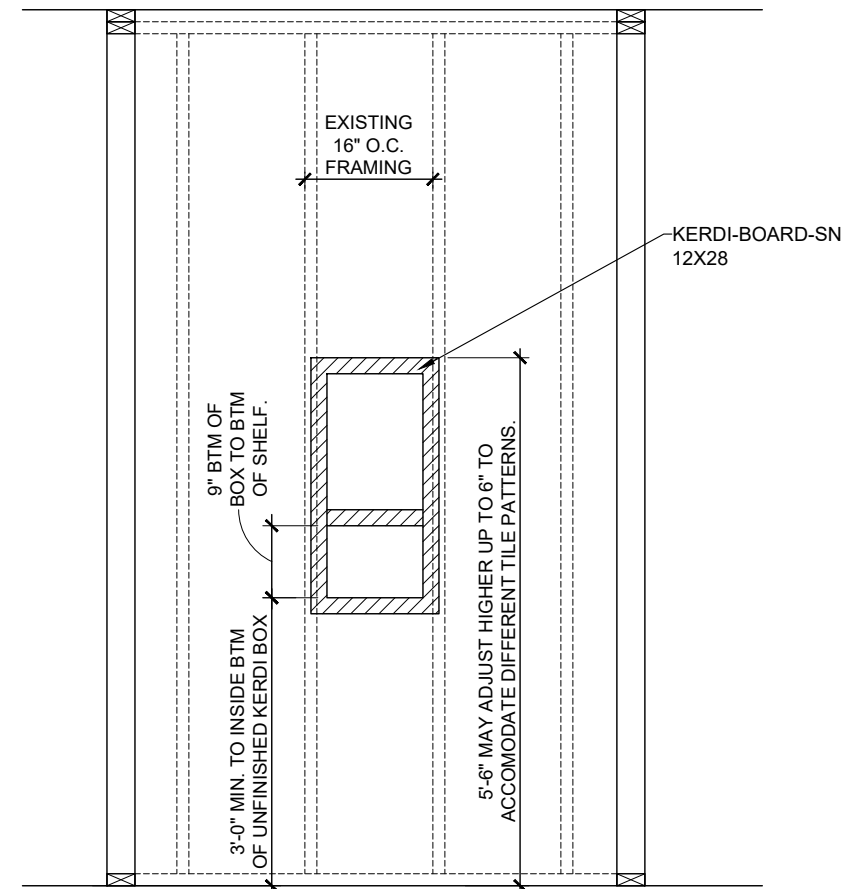
SCALE: 1/2" = 1'-0"

NOTE: THIS DETAIL IS NOT PLAN SPECIFIC, BUT SHOULD MATCH THE SHOWER ORIENTATION ON EACH PLAN SET.

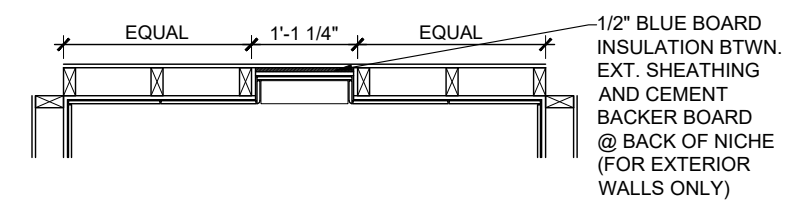


FOUNDATION INFORMATION

SCALE: 1/2" = 1'-0"



ELEVATION VIEW



PLAN VIEW

KERDI SHOWER NICHE DETAIL

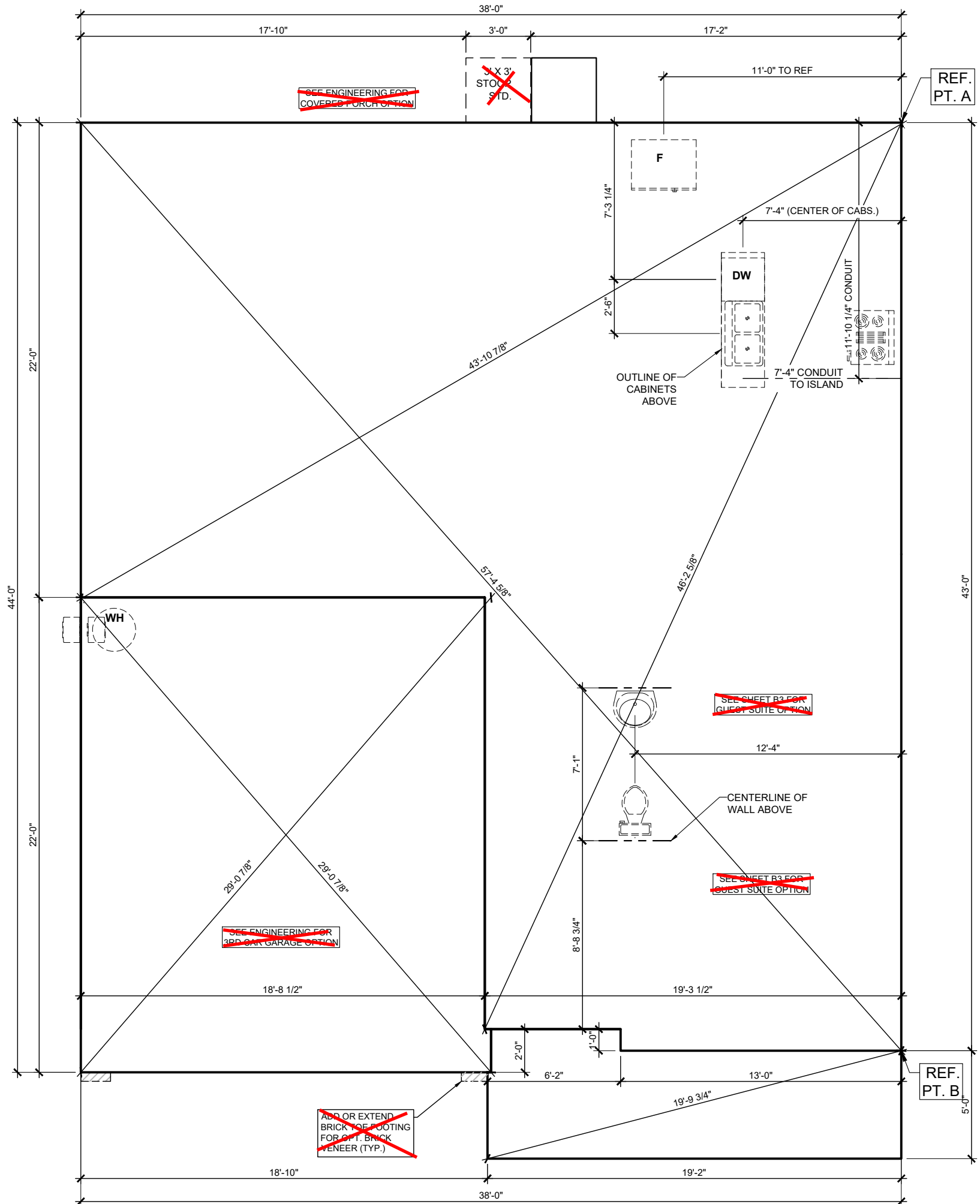
SCALE: 1/2" = 1'-0"

PRIMARY BATH
5' TILE SHOWER ONLY OPTION (42x60)
 SCALE: 1/2" = 1'-0"

Drawn By: KBM
 Date: 8/27/2024
 Rev. By: AM

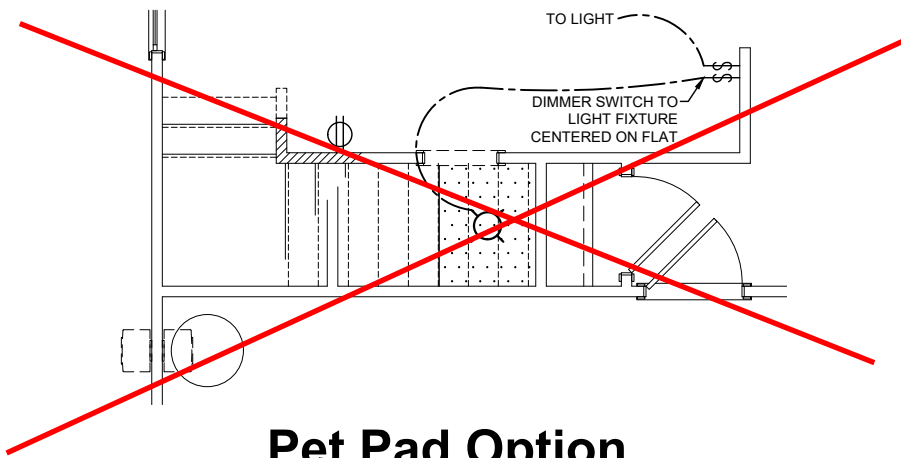
- NOTES:**
- SEE ENGINEERING FOR STRUCTURAL INFORMATION
 - CONTROL JOINTS
 - PROVIDE CONTROL JOINTS AT ALL INSIDE CORNERS OF SLAB EDGES, AND OTHER LOCATIONS WHERE SLAB CRACKS ARE LIKELY TO DEVELOP.
 - JOINTS SHALL BE LOCATED @ 10'-0" O.C. (RECOMMENDED) OR 15'-0" O.C. (MAXIMUM).
 - JOINT GRID PATTERN SHALL BE AS CLOSE TO SQUARES AS POSSIBLE (1:1 RATIO), WITH A MAXIMUM OF 1:1.5 RATIO.
 - CONTROL JOINTS SHALL NOT BE INSTALLED IN STRUCTURAL SLABS.

See SO1.1 For Option Wood Deck



FOUNDATION INFORMATION SHEET
3/16" = 1'-0"

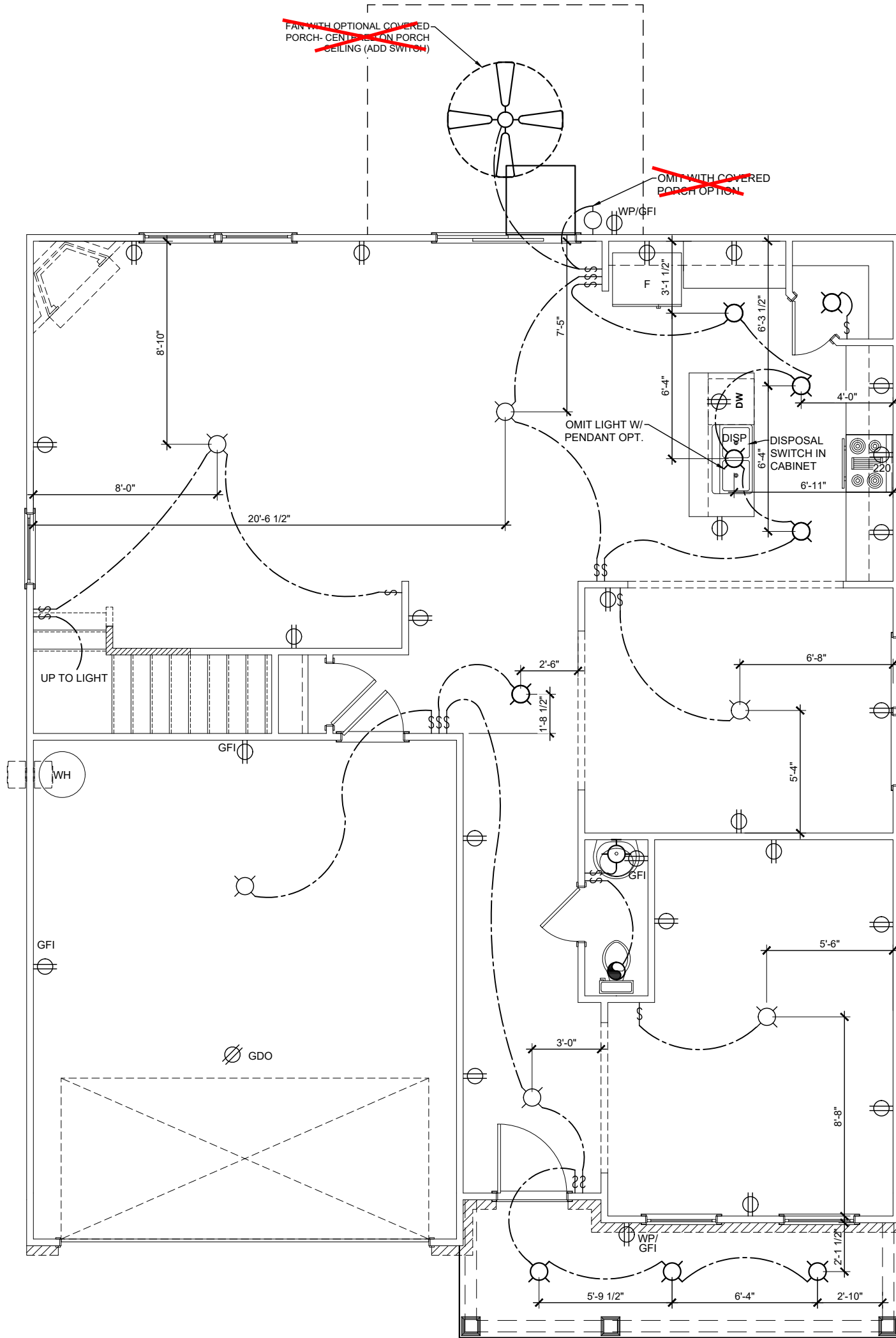
B4	Features: FOUNDATION INFO. SHEET	<h2 style="margin: 0;">Telfair D</h2> <p style="margin: 0;">Genesis Series v.04.03.00.00</p> <p style="margin: 0;">GARAGE LEFT</p>	1st Floor.....1235 2nd Floor.....1609 Garage.....412 Front Porch.....102 Covered Porch Optional.....120 3rd Car Garage Option.....220	D Square Footages: 	
	Drawn By: pla				Rev By: cja, atw jsc, EB
	Date: 12/2/2024				



Pet Pad Option

3/16" = 1'-0"

Deck



FIRST FLOOR - ELECTRICAL

3/16" = 1'-0"

E1

Features:

Drawn By: pla

Rev By: cja, atw
jsc, EB

Date: 12/2/2024

Telfair D

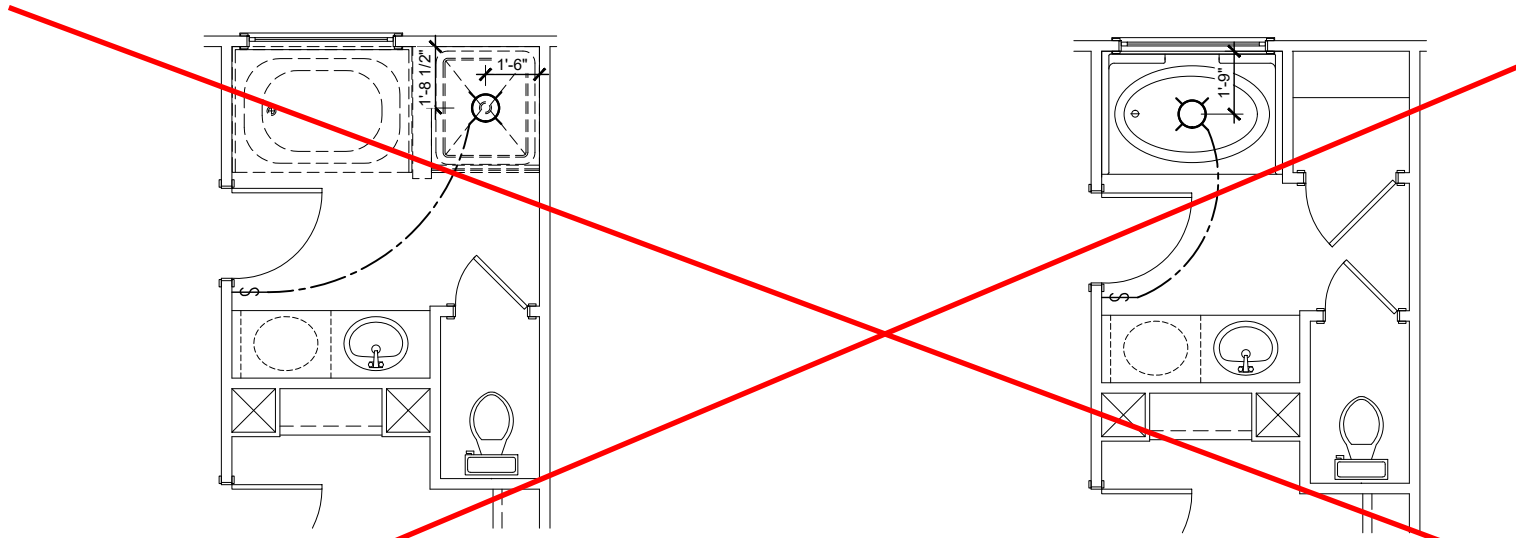
Genesis Series
v.04.03.00.00

GARAGE LEFT

1st Floor.....	1235
2nd Floor.....	1609
Garage.....	412
Front Porch.....	102
Covered Porch Optional.....	120
3rd Car Garage Option.....	220

D Square Footages:



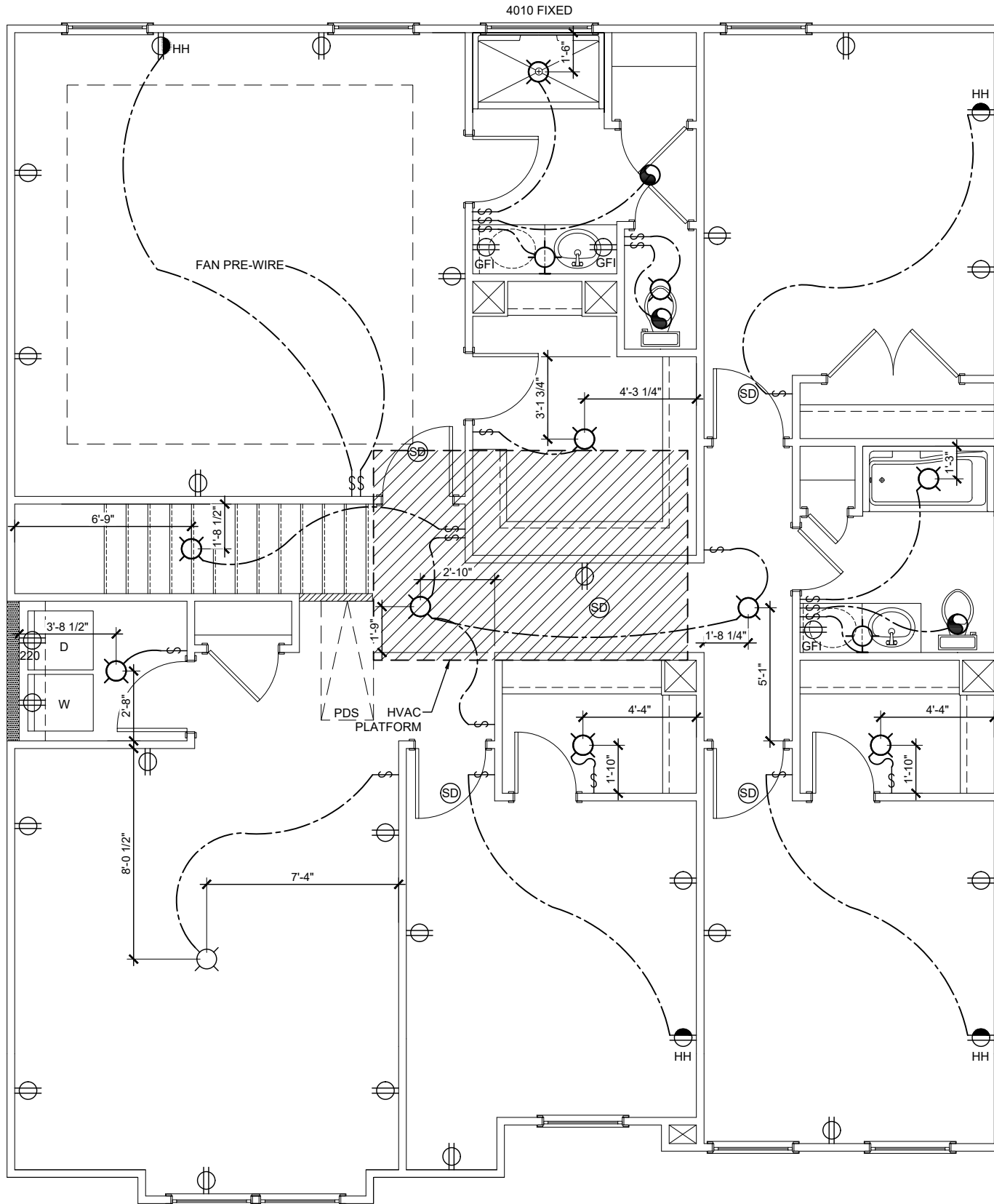


Tub/ Shower Option

FOR ORIENTATION PURPOSES ONLY
@ PRIMARY BATH @ 2ND FLOOR

Garden Tub Opt.

3/16" = 1'-0" @ PRIMARY BATH



SECOND FLOOR - ELECTRICAL
3/16" = 1'-0"

EN	Features:	Telfair D Genesis Series v.04.03.00.00 GARAGE LEFT	1st Floor.....1235 2nd Floor.....1609 Garage.....412 Front Porch.....102 Covered Porch Optional.....120 3rd Car Garage Option.....220	D Square Footages:		
	Drawn By: pla					Rev By: cja, atw jsc, EB
	Date: 12/2/2024					

CONNECTION SPECIFICATIONS (TYP. U.N.O.)

Table with 3 columns: DESCRIPTION OF BLDG. ELEMENT, 3"x0.131" NAILS, 3"x0.120" NAILS. Rows include JOIST TO SOLE PLATE, STUD TO PLATE, RIM TO TOP JOISTS, etc.

VENEER LINTEL SCHEDULE

Table with 3 columns: SPAN (MAX), HEIGHT OF VENEER ABOVE LINTEL, STEEL ANGLE SIZE. Rows include 3'-0", 6'-0", 8'-0", 9'-6", 16'-0".

ALL LINTELS: - SHALL SUPPORT 2 3/8" - 3 1/2" VENEER w/ 40 psf MAXIMUM WEIGHT. < 16" SHALL HAVE 4" MIN. BEARING. > 16" SHALL HAVE 8" MIN. BEARING.

NON-BEARING HEADER SCHEDULE

Table with 3 columns: SPAN, 2x4 NON-BEARING PARTITION WALL, 2x6 NON-BEARING PARTITION WALL. Rows include UP TO 3'-0", UP TO 6'-0", UP TO 8'-0", UP TO 12'-0".

LEGEND section with symbols for interior bearing wall, bearing wall above, extent of overframing, extent of tile over floor, extent of bracing panels, etc.

MEANS & METHODS NOTES

THE STRUCTURE IS DESIGNED TO BE SELF SUPPORTING AND STABLE AFTER THE BUILDING IS FINISHED AND ALL PLAN, DETAIL, AND NOTE SPECIFICATIONS HAVE BEEN COMPLETED.

GENERAL STRUCTURAL NOTES

FOUNDATION

DESIGN IS BASED ON 2018 NORTH CAROLINA STATE RESIDENTIAL CODE. FOOTING DESIGN - 2,000 PSF ALLOWABLE SOIL BEARING PRESSURE IS ASSUMED. FASTEN 2x4/6 SILL PLATES TO CONC. FND WITH A MINIMUM OF 2 ANCHORS PER PLATE.

EXT. WALL SHEATHING SPECIFICATION

7/16" OSB OR 15/32" PLYWOOD: FASTEN SHEATHING w/ 2 3/8"x0.131 NAILS @ 6" O.C. AT EDGES @ 12" O.C. IN THE PANEL FIELD.

NOTES

SEE CONNECTION SPECIFICATIONS CHART FOR STANDARD SHEAR TRANSFER DETAILING. DESIGN ASSUMES ALL INTERIOR SHEAR WALLS AND EXTERIOR WALLS ARE CONTINUOUS SHEATHED ABOVE AND BELOW OPENINGS.

LIST OF ABBREVIATIONS

Table with 2 columns: Abbreviation, Full Name. Rows include B.F. BALLOON-FRAMED BEAM, BOT. BOTTOM BEARING, BRG. BEARING, etc.

EXTERIOR & SHEAR WALL SHEATHING SPECIFICATIONS

THIS MODEL HAS BEEN DESIGNED TO RESIST LATERAL FORCES RESULTING FROM: 115 MPH WIND IN 2018 NC5BC:RC

(115 MPH WIND SPEED IN ASCE 7-10 WIND MAP, PER NC5BC R301.2.1.1) EXP. B & SEISMIC CAT. A/B.

THE ENGINEERED DESIGN WAS COMPLETED PER 2015 IBC (SECTION 1604) & ASCE 7-10, AS PERMITTED BY R301.3 OF THE 2018 NC5BC.

GENERAL STRUCTURAL NOTES

FLOOR FRAMING

TRUSSES SHALL BE DESIGNED BY MANUF. TO MEET OR EXCEED L/480 LIVE LOAD DEFLECTION CRITERIA. EXCLUDES STONE/MARBLE OR WET BED CONSTRUCTED FLOORS - CONTACT MKK FOR EXCLUDED FLOOR DESIGNS.

ROOF FRAMING

ROOF SHEATHING SHALL BE 7/16" A.P.A. RATED SHEATHING 24/16 EXPOSURE 1 (OR APPROVED EQUAL). FASTEN TO FRAMING MEMBERS.

ADDITIONAL NOTES FOR TRUSS & I-JOIST MANUFACTURER

ROOF TRUSS, FLOOR TRUSS AND ENGINEERED JOISTS SHALL BE DESIGNED TO MEET THE DIFFERENTIAL DEFLECTION CRITERIA BELOW, UNLESS NOTED OTHERWISE ON PLAN.

GENERAL STRUCTURAL NOTES

DESIGN IS BASED ON 2018 NORTH CAROLINA STATE RESIDENTIAL CODE. WOOD FRAME ENGINEERING IS BASED ON NDS, "NATIONAL DESIGN SPECIFICATION FOR WOOD CONSTRUCTION" - LATEST EDITION.

GENERAL STRUCTURAL NOTES

FLOOR FRAMING

TRUSSES SHALL BE DESIGNED BY MANUF. TO MEET OR EXCEED L/480 LIVE LOAD DEFLECTION CRITERIA. EXCLUDES STONE/MARBLE OR WET BED CONSTRUCTED FLOORS - CONTACT MKK FOR EXCLUDED FLOOR DESIGNS.

ROOF FRAMING

ROOF SHEATHING SHALL BE 7/16" A.P.A. RATED SHEATHING 24/16 EXPOSURE 1 (OR APPROVED EQUAL). FASTEN TO FRAMING MEMBERS.

ADDITIONAL NOTES FOR TRUSS & I-JOIST MANUFACTURER

ROOF TRUSS, FLOOR TRUSS AND ENGINEERED JOISTS SHALL BE DESIGNED TO MEET THE DIFFERENTIAL DEFLECTION CRITERIA BELOW, UNLESS NOTED OTHERWISE ON PLAN.

GENERAL STRUCTURAL NOTES

DESIGN IS BASED ON 2018 NORTH CAROLINA STATE RESIDENTIAL CODE. WOOD FRAME ENGINEERING IS BASED ON NDS, "NATIONAL DESIGN SPECIFICATION FOR WOOD CONSTRUCTION" - LATEST EDITION.

GENERAL STRUCTURAL NOTES

FLOOR FRAMING

TRUSSES SHALL BE DESIGNED BY MANUF. TO MEET OR EXCEED L/480 LIVE LOAD DEFLECTION CRITERIA. EXCLUDES STONE/MARBLE OR WET BED CONSTRUCTED FLOORS - CONTACT MKK FOR EXCLUDED FLOOR DESIGNS.

ROOF FRAMING

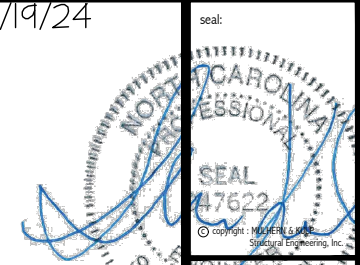
ROOF SHEATHING SHALL BE 7/16" A.P.A. RATED SHEATHING 24/16 EXPOSURE 1 (OR APPROVED EQUAL). FASTEN TO FRAMING MEMBERS.

ADDITIONAL NOTES FOR TRUSS & I-JOIST MANUFACTURER

ROOF TRUSS, FLOOR TRUSS AND ENGINEERED JOISTS SHALL BE DESIGNED TO MEET THE DIFFERENTIAL DEFLECTION CRITERIA BELOW, UNLESS NOTED OTHERWISE ON PLAN.

GENERAL STRUCTURAL NOTES

DESIGN IS BASED ON 2018 NORTH CAROLINA STATE RESIDENTIAL CODE. WOOD FRAME ENGINEERING IS BASED ON NDS, "NATIONAL DESIGN SPECIFICATION FOR WOOD CONSTRUCTION" - LATEST EDITION.



MULHERN+KULP RESIDENTIAL STRUCTURAL ENGINEERING 300 Beaverton Ave., Building 4 - Asheville, NC 28802



M&K project number: 192-17017 project mgr: SMK

drawn by: MDS issue date: 09-04-20

ARCH: v.01.01.00.00



GENERAL STRUCTURAL NOTES TELFAIR WIND SPEED < 115 MPH NORTH CAROLINA

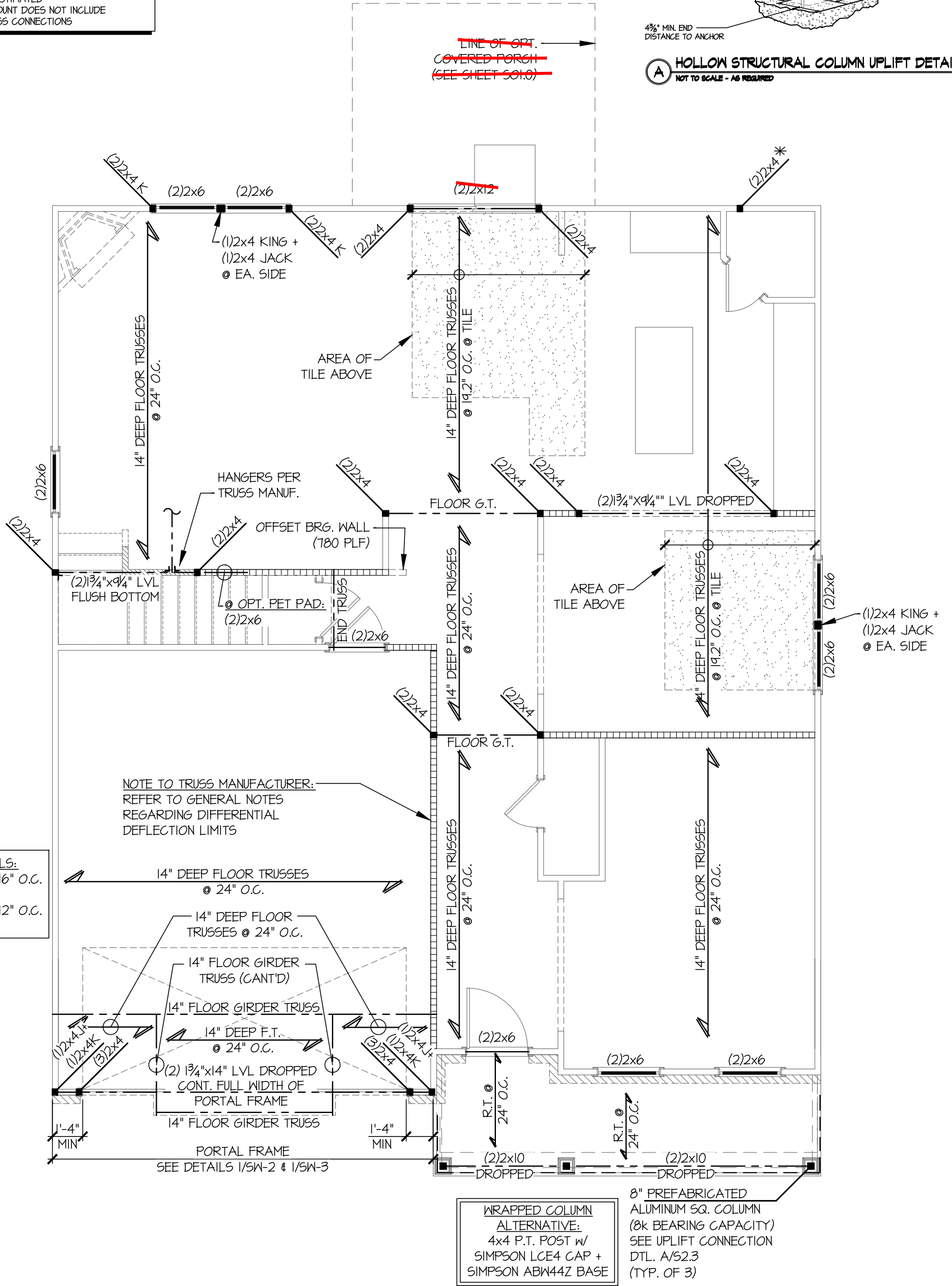
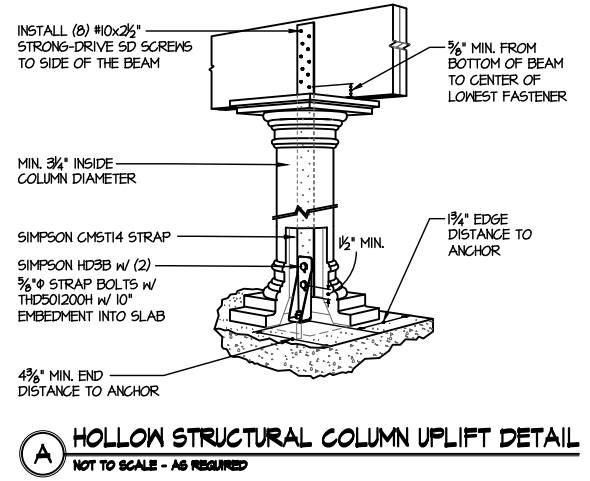
SO.0

2ND FLOOR HARDWARE SCHEDULE
ELEVATION D

QTY	PRODUCT
4	SIMPSON CS16 STRAP (13"/STRAP)
1	SIMPSON L90 CLIP
8	SIMPSON H2.5A CLIP
2	SIMPSON HD3B HOLDOWN
2	SIMPSON CMST14 STRAP

HARDWARE NOTES:
 - ALL NAIL HOLES FILLED
 - ALL COUNTS ESTIMATED
 - HARDWARE COUNT DOES NOT INCLUDE TRUSS TO TRUSS CONNECTIONS

See SO1.1 For Option Wood Deck



EXT. GARAGE WALLS:
 - 2x4 SP 'STUD' @ 16" O.C. UP TO 10'-0" TALL.
 - 2x4 SP 'STUD' @ 12" O.C. UP TO 12'-0" TALL

NOTE TO TRUSS MANUFACTURER:
 REFER TO GENERAL NOTES REGARDING DIFFERENTIAL DEFLECTION LIMITS

WRAPPED COLUMN ALTERNATIVE:
 4x4 P.T. POST W/ SIMPSON LCE4 CAP + SIMPSON ABW44Z BASE

8" PREFABRICATED ALUMINUM SQ. COLUMN (8k BEARING CAPACITY) SEE UPLIFT CONNECTION DTL. A/52.3 (TYP. OF 3)

PLAN DESIGNED FOR 8' -OR- 9' PLATE HEIGHT

REFER TO S-O-O FOR TYPICAL STRUCTURAL NOTES & SCHEDULES

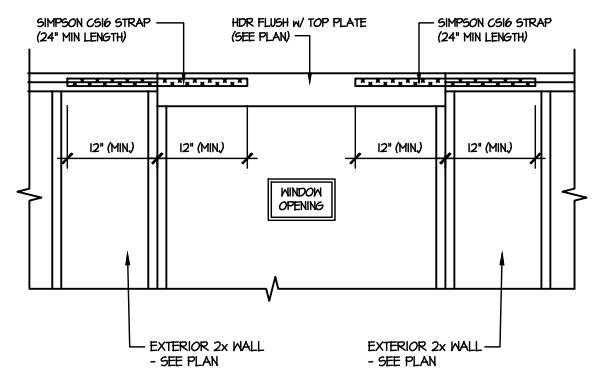
2ND FLOOR FRAMING PLAN
 SCALE: 3/16"=1'-0"
 (1ST FLOOR WALLS SHOWN)
 ELEV. D

2/19/24

ROOF HARDWARE SCHEDULE
ELEVATION D

QTY	PRODUCT
60	SIMPSON H2.5A CLIP
2	SIMPSON CS16 STRAP (24"/STRAP)

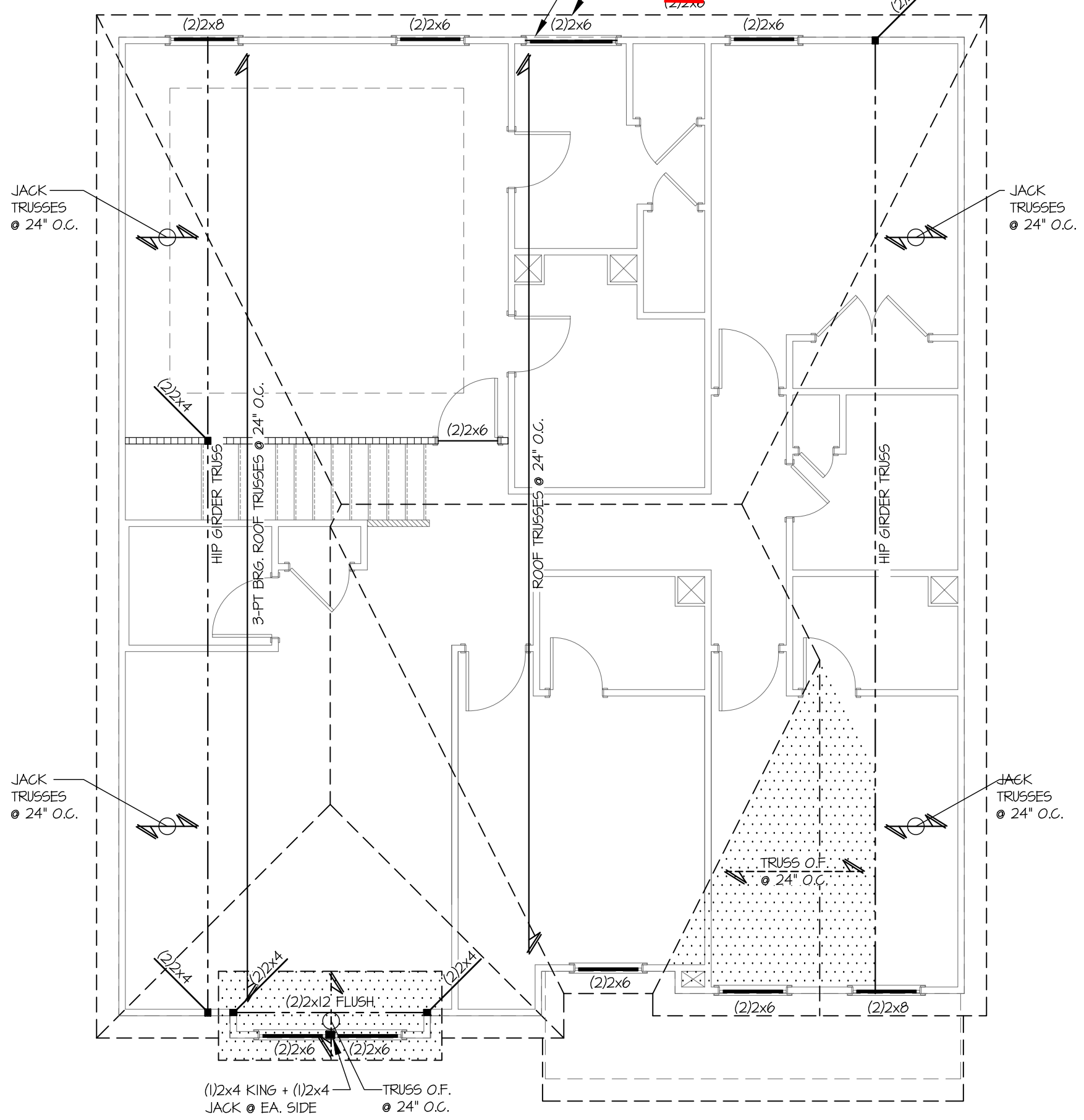
HARDWARE NOTES:
 - ALL NAIL HOLES FILLED
 - ALL COUNTS ESTIMATED
 - HARDWARE COUNT DOES NOT INCLUDE TRUSS TO TRUSS CONNECTIONS



(A) SHEAR TRANSFER DETAIL AT UPSET WINDOW
SCALE: 3/8"=1'-0"

HDR FLUSH W/ TOP PLATE; PROVIDE CS16 STRAP FROM HDR TO DBL TOP PLATE (12" MIN. END LENGTH) (SEE DTL. A/53.3)

~~OPT. TUB/SHOWER ONLY: (2)2x6~~



PLAN DESIGNED FOR 8' PLATE HEIGHT

REFER TO S-0.0 FOR TYPICAL STRUCTURAL NOTES & SCHEDULES

1 ROOF FRAMING PLAN
SCALE: 3/16"=1'-0" ELEV. D
(2ND FLOOR WALLS SHOWN)

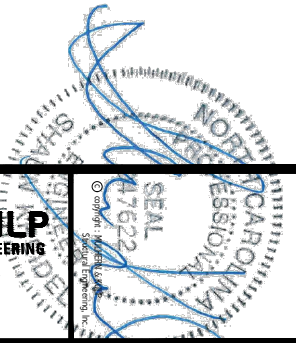
2/19/24

S3.3M Sheet
ROOF FRAMING PLAN
 TELFAIR
 ELEVATION D
 WIND SPEED < 115 MPH NORTH CAROLINA



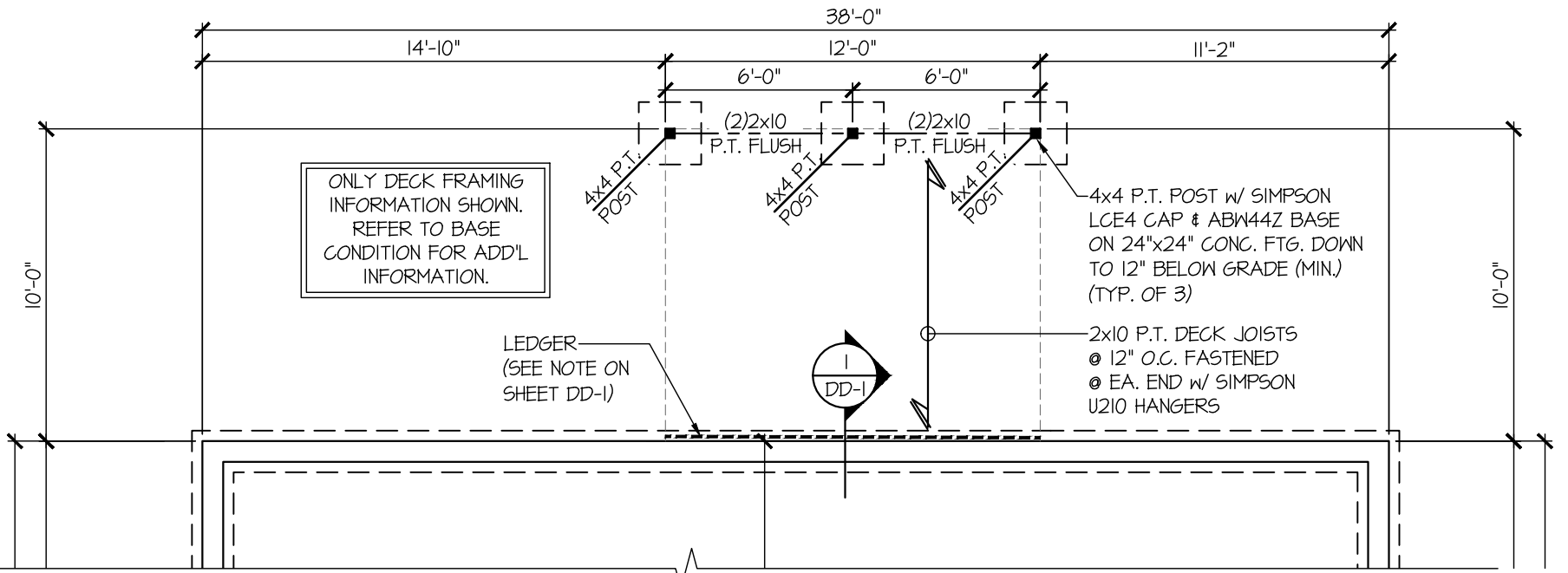
ARCH: 01.01.0000	DATE:	REVISED:	PROJECT NO: 192-17017
			DATE: 09-04-20
			DESIGNER: MDS
			DRAWN BY: SMK

MULHERN+KULP
 RESIDENTIAL STRUCTURAL ENGINEERING
 300 Brookside Ave, Building 4 - Amber, PA 15002
 p: 215-646-8001 • mulhern+kulp.com
 NC License # C-3825



ADD'L HARDWARE SCHEDULE FOR
OPT. WOOD DECK

QTY	PRODUCT
24	SIMPSON U210 HANGER
3	SIMPSON LCE4 POST CAP
3	SIMPSON ABW44Z POST BASE
4	SIMPSON H3 CLIP
2	SIMPSON BCS2-2/4 POST BASE



1 PARTIAL CRAWLSPACE FOUNDATION PLAN
OPT. WOOD DECK
SCALE: 3/16"=1'-0"
ALL ELEV. SIM.

REFER TO S-0.0 FOR
TYPICAL STRUCTURAL NOTES
& SCHEDULES

2/19/24

SO1.1M

OPTION FRAMING PLANS

TELFAIR
COVERED PORCH
WIND SPEED < 115 MPH NORTH CAROLINA



ARBH+01.01.0000

DATE: 09-04-20

PROJECT NO: 192-17017

DESIGNER: MDS

DRAWN BY: SMK

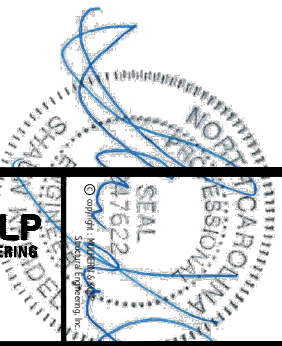
ISSUE DATE: 09-04-20

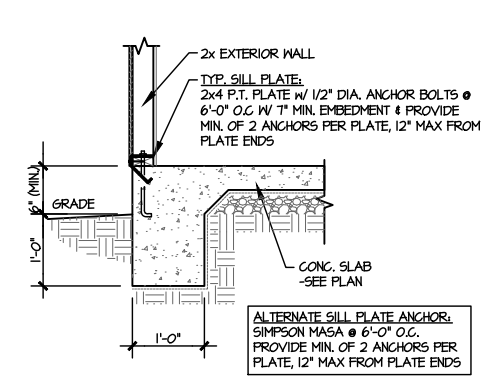
PROJECT NAME: TELFAIR



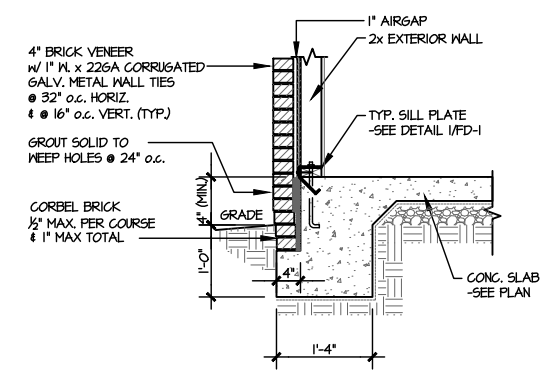
MULHERN+KULP
RESIDENTIAL STRUCTURAL ENGINEERING

300 Brookside Ave, Building 4 - Ambler, PA 19002
p 215-646-8001 • www.mulhernkulp.com
NC License # C-3825

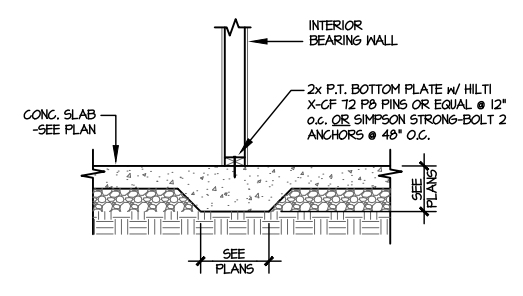




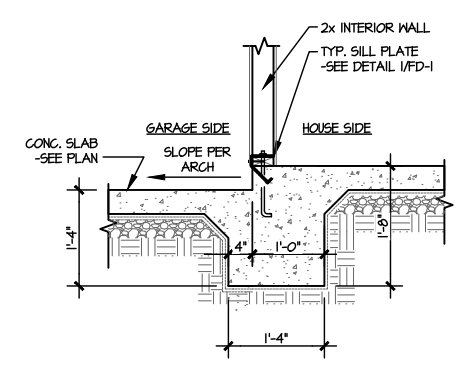
1 TYPICAL TURNDOWN @ EXT. WALL
SCALE: 3/8\"/>



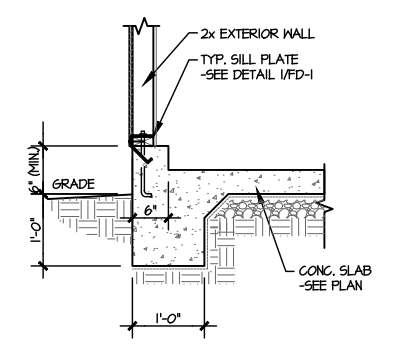
2 TYPICAL TURNDOWN @ EXT. WALL (BRICK)
SCALE: 3/8\"/>



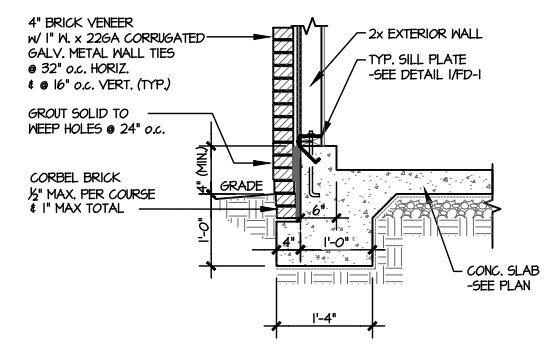
3 TYPICAL THICKENED SLAB @ INTERIOR BEARING WALL
SCALE: 3/8\"/>



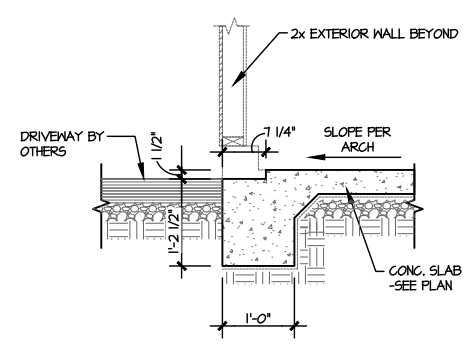
4 TYPICAL INT. FOOTING BETWEEN HOUSE & GARAGE
SCALE: 3/8\"/>



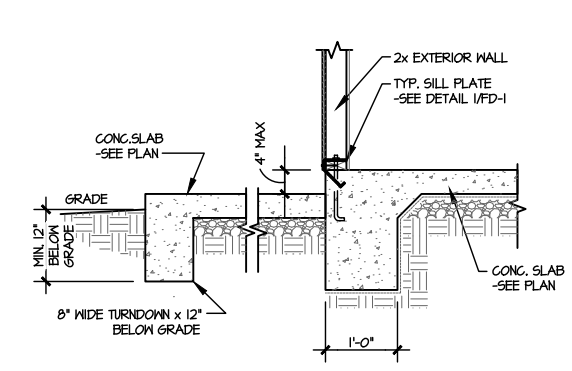
5 TYPICAL TURNDOWN @ EXT. GARAGE WALL
SCALE: 3/8\"/>



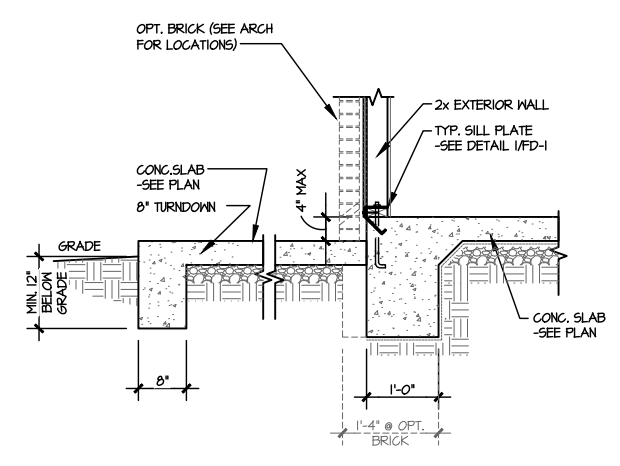
6 TYPICAL TURNDOWN @ EXT. GARAGE WALL (BRICK)
SCALE: 3/8\"/>



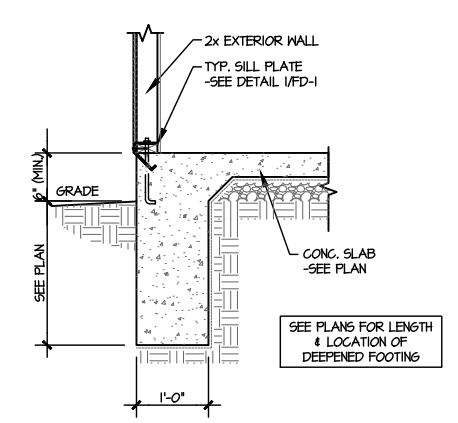
7 GARAGE OPENING
SCALE: 3/8\"/>



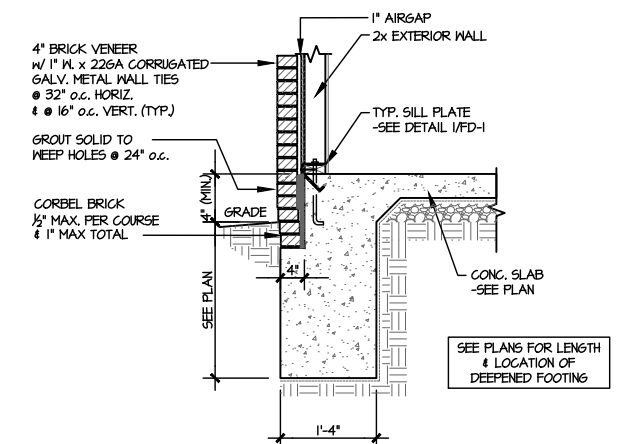
8 TYPICAL TURNDOWN @ PATIO/PORCH
SCALE: 3/8\"/>



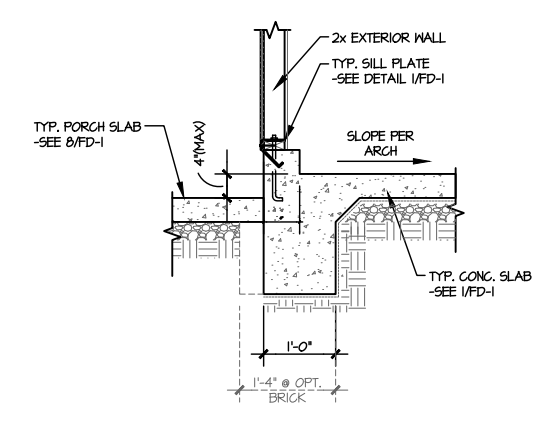
9 TYPICAL TURNDOWN @ PATIO/PORCH (BRICK)
SCALE: 3/8\"/>



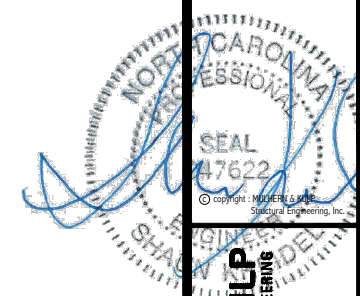
10 TYPICAL TURNDOWN W/ DEEPEMED FTG. @ EXT. WALL
SCALE: 3/8\"/>



11 TYPICAL TURNDOWN @ EXT. WALL (BRICK)
SCALE: 3/8\"/>



12 TYPICAL TURNDOWN @ COVERED PORCH/ATTACHED GARAGE
SCALE: 3/8\"/>



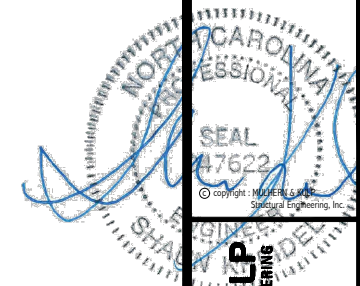
MULHERN+KULP
RESIDENTIAL STRUCTURAL ENGINEERING
300 Bluebirds Ave, Building 4 - Panther, PA 19082
P: 717-646-8811 - mulhern@mk.com
NC License # C-3825

M&K project number:
192-17017
project mgr: SMK
drawn by: MDS
issue date: 09-04-20

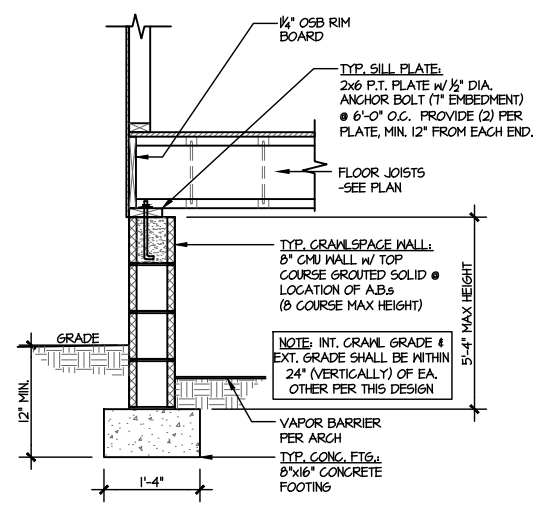
REVISIONS:
date: initial:



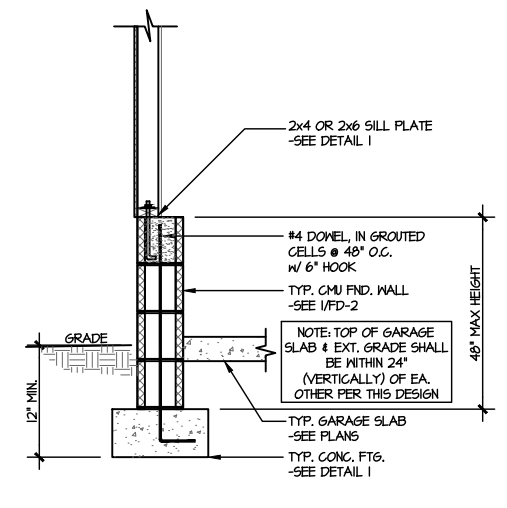
FOUNDATION DETAILS
TELFAIR
WIND SPEED < 115 MPH NORTH CAROLINA



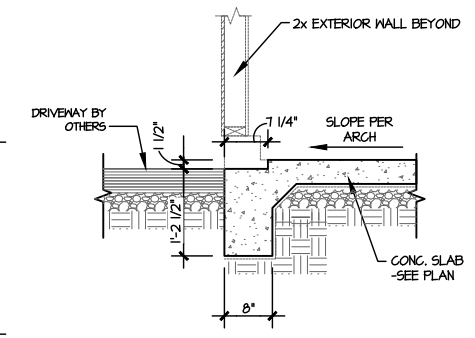
MULHERN+KULP
RESIDENTIAL STRUCTURAL ENGINEERING
300 Brookside Ave., Building 4 - Asheville, PA, 18002
P: 212-695-0811 - mulhern@mkulpe.com
NC License # C-3825



1 TYPICAL CRAWLSPACE FOUNDATION
SCALE: 3/8"=1'-0"

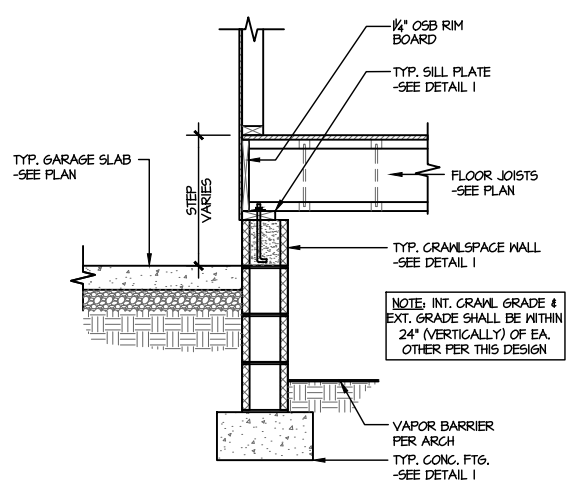


3 TYPICAL PERIMETER FOOTING @ EXTERIOR GARAGE WALL
SCALE: 3/8"=1'-0"

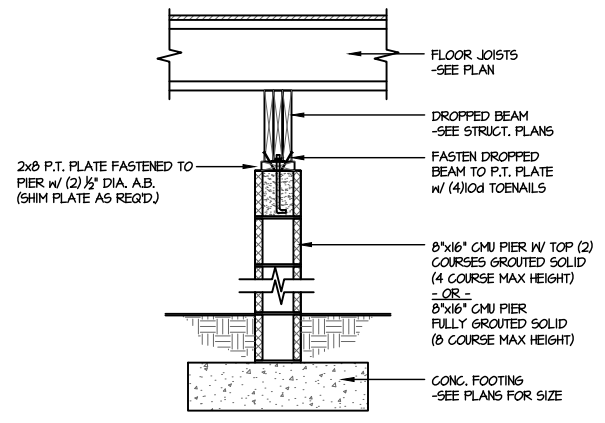


4 TYPICAL TURNDOWN FOOTING AT EXTERIOR GARAGE APRON
SCALE: 3/8"=1'-0"

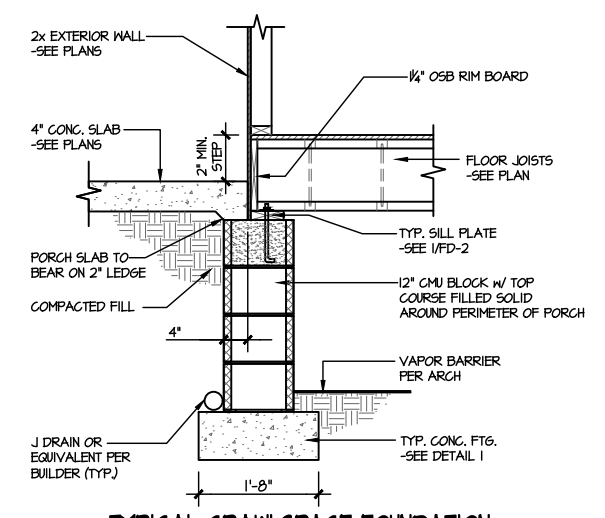
2 NOT USED
SCALE: 3/8"=1'-0"



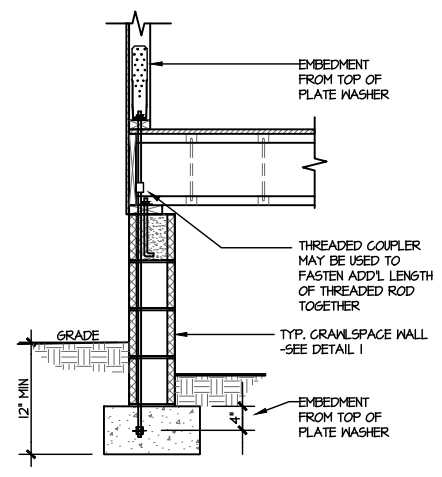
5 TYPICAL CRAWLSPACE FOUNDATION @ INTERIOR GARAGE WALL
SCALE: 3/8"=1'-0"



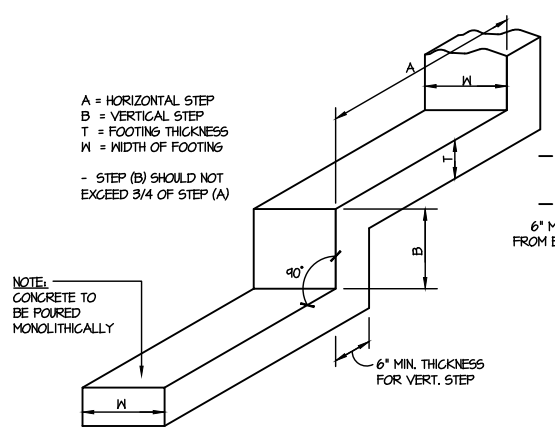
6 TYPICAL CRAWLSPACE FOUNDATION @ INTERIOR PIER
SCALE: 3/8"=1'-0"



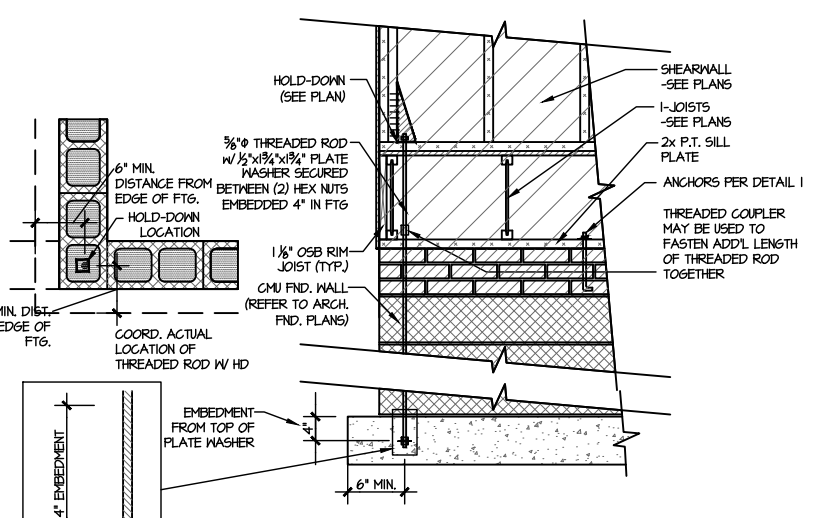
7 TYPICAL CRAWLSPACE FOUNDATION @ PORCH SLAB
SCALE: 3/8"=1'-0"



A TYPICAL CRAWLSPACE FOUNDATION HOLD-DOWN INSTALLATION
SCALE: 3/8"=1'-0" w/ STONE VENEER OR SIDING



B TYPICAL STEPPED FOOTING DETAIL
SCALE: NTS

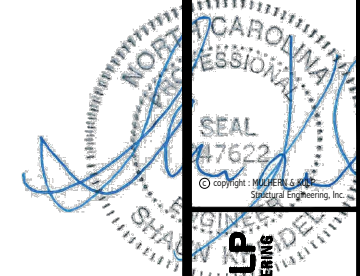


C TYPICAL CMU FOUNDATION HOLD-DOWN INSTALLATION
SCALE: 3/8"=1'-0" (CORNER SHOWN - APPLICABLE TO ALL CONDITIONS)

MS&K project number: 192-17017
project mgr: SMK
drawn by: MDS
issue date: 09-04-20
REVISIONS:
date: initial:
ARCH: v.01.01.00.00



FOUNDATION DETAILS
TELFAIR
WIND SPEED < 115 MPH NORTH CAROLINA



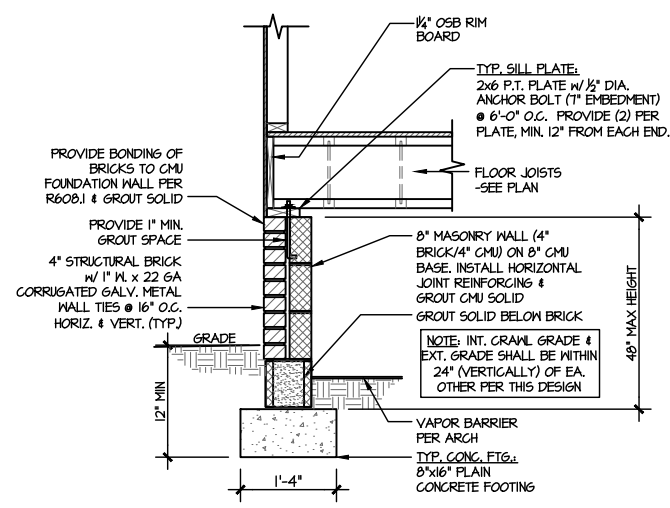
MULHERN+KULP
RESIDENTIAL STRUCTURAL ENGINEERING
300 Bluebirds Ave. Building 4 - Asheville, PA 18002
P: 212-605-0011 - mulhern@mulhernkulp.com
NC License # C-3825



MSK project number:
192-17017
project mgr: SMK
drawn by: MDS
issue date: 09-04-20
REVISIONS:
date: initial:
ARCH: v.01.01.00.00

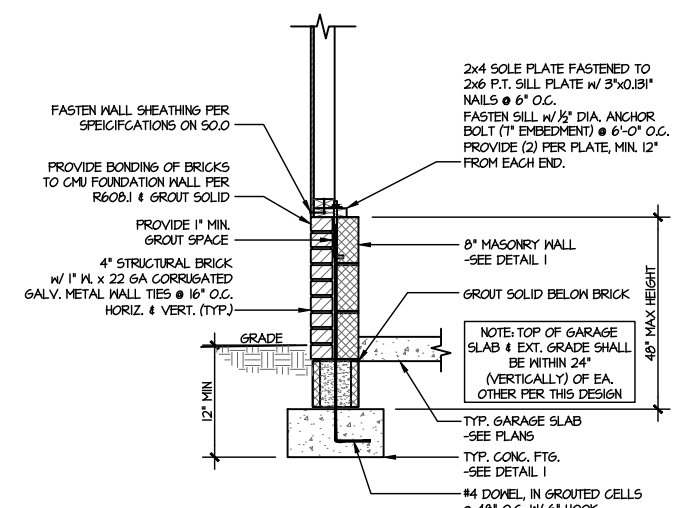


FOUNDATION DETAILS
TELFAIR
WIND SPEED < 115 MPH NORTH CAROLINA



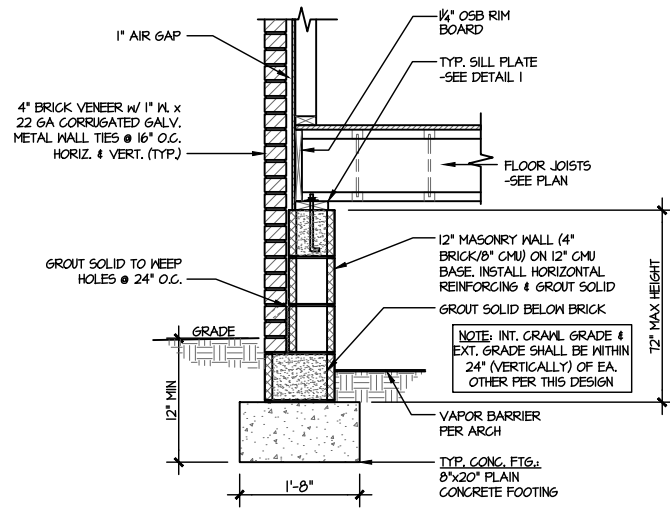
1 TYPICAL CRAWLSPACE FOUNDATION
SCALE: 3/8"=1'-0"
w/ BRICK WATERTABLE

2 NOT USED
SCALE: 3/8"=1'-0"



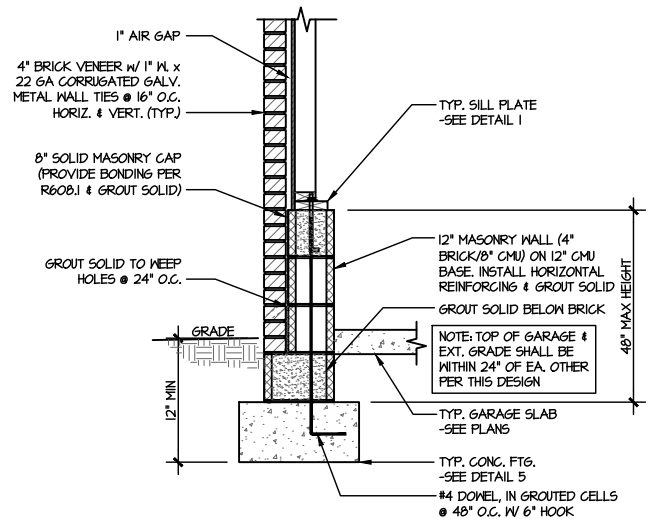
3 TYPICAL CRAWLSPACE FOUNDATION
@ EXTERIOR GARAGE WALL
SCALE: 3/8"=1'-0"
w/ BRICK WATERTABLE

4 NOT USED
SCALE: 3/8"=1'-0"



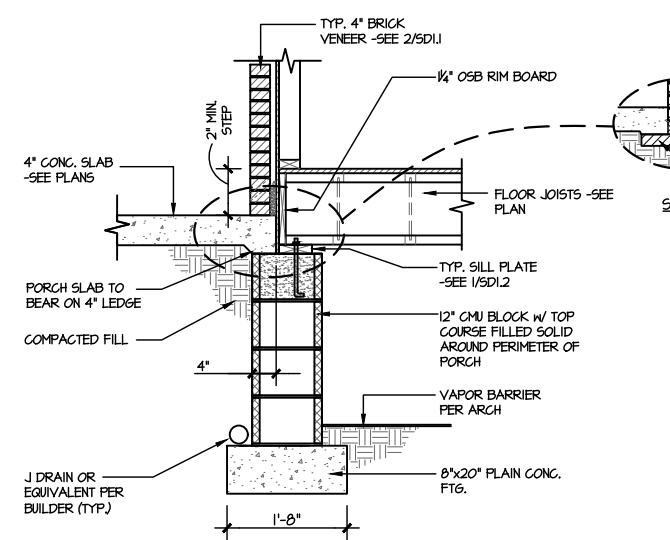
5 TYPICAL CRAWLSPACE FOUNDATION
SCALE: 3/8"=1'-0"
w/ FULL BRICK VENEER

6 NOT USED
SCALE: 3/8"=1'-0"

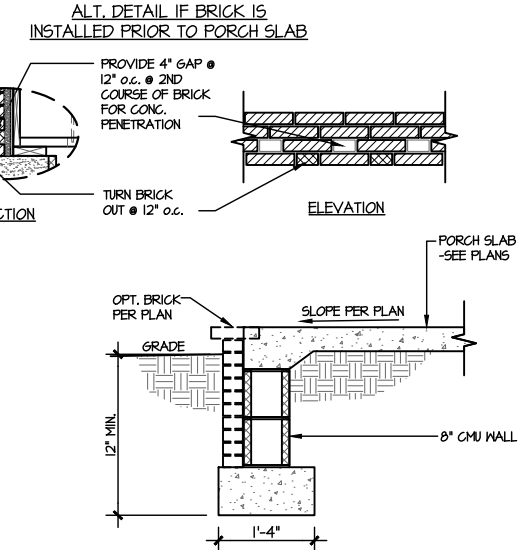


7 TYPICAL CRAWLSPACE FOUNDATION
@ EXTERIOR GARAGE WALL
SCALE: 3/8"=1'-0"
w/ FULL BRICK VENEER

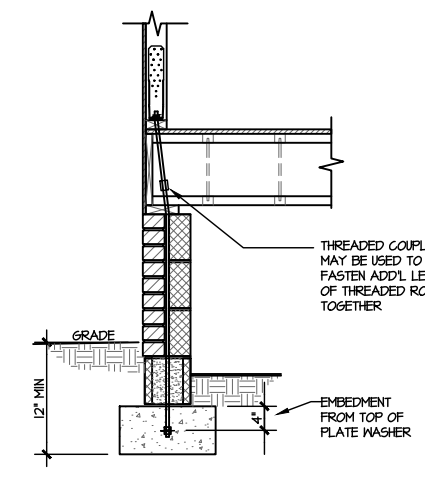
8 NOT USED
SCALE: 3/8"=1'-0"



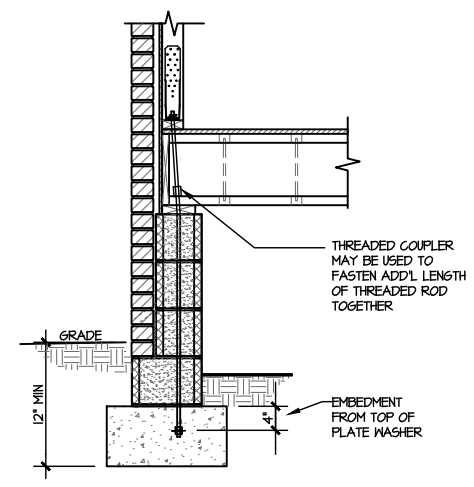
9 TYPICAL CRAWLSPACE FOUNDATION
@ PORCH/PATIO SLAB
SCALE: 3/8"=1'-0"
w/ BRICK VENEER



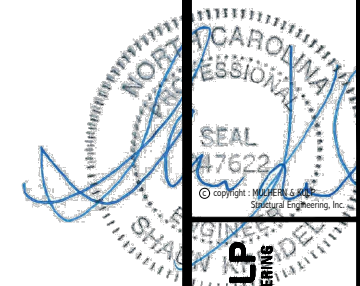
10 TYPICAL FOOTING @ PORCH SLAB
SCALE: 3/8"=1'-0"



D TYPICAL CRAWLSPACE FOUNDATION
HOLD-DOWN INSTALLATION
SCALE: 3/8"=1'-0"
w/ BRICK WATERTABLE



E TYPICAL CRAWLSPACE FOUNDATION
HOLD-DOWN INSTALLATION
SCALE: 3/8"=1'-0"
w/ FULL BRICK VENEER

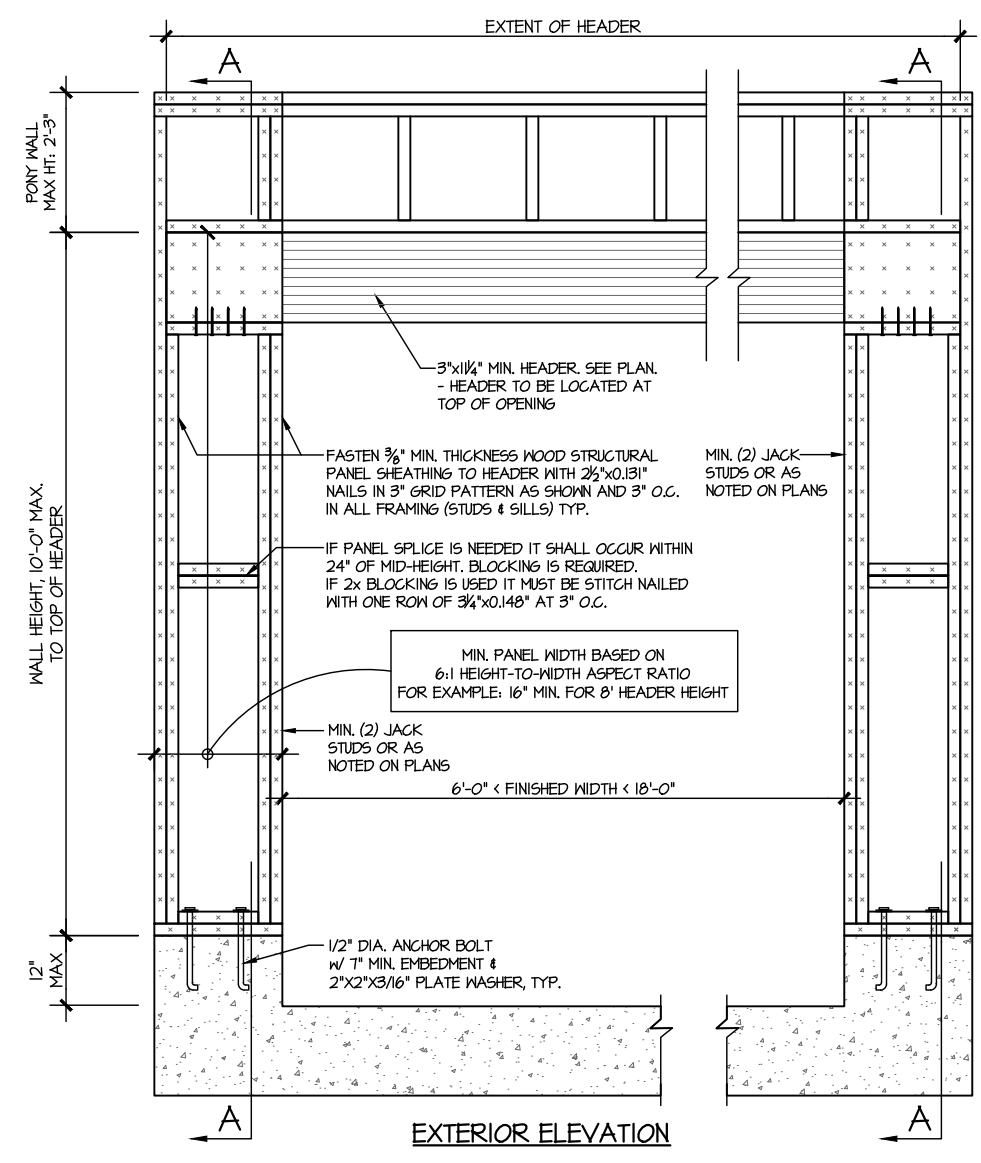


MULHERN+KULP
RESIDENTIAL STRUCTURAL ENGINEERING
300 Dorothea Ave., Building 4 - Asheville, PA 18002
P: 715-945-0001 - mulhern@mkulpe.com
NC License # C-3825

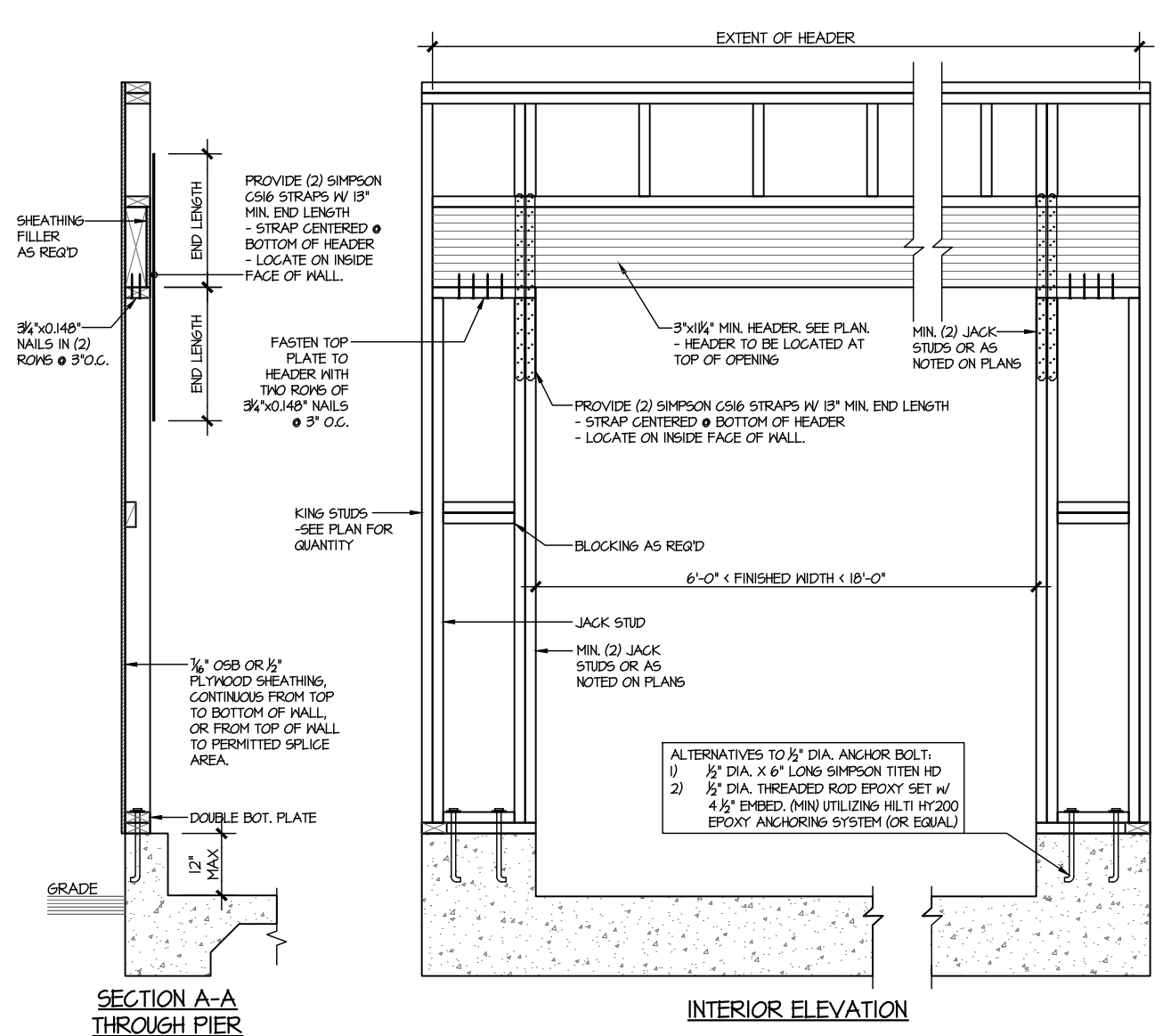
MSK project number:
192-17017
project mgr: SMK
drawn by: MDS
issue date: 09-04-20
REVISIONS:
date: initial:
ARCH: v.01.01.00.00



STRUCTURAL DETAILS
TELFAIR
WIND SPEED < 115 MPH NORTH CAROLINA



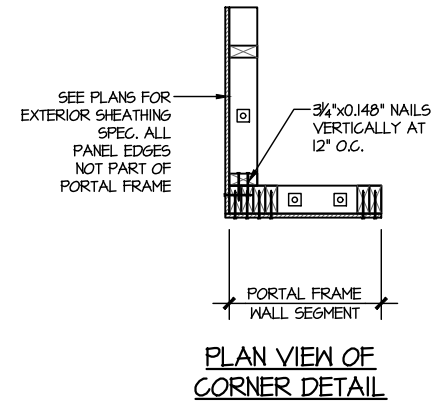
EXTERIOR ELEVATION



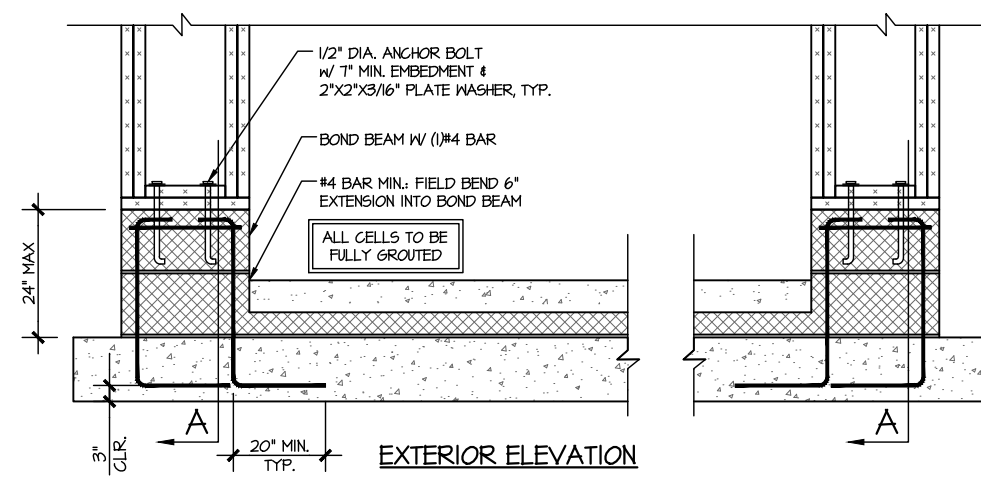
INTERIOR ELEVATION

SECTION A-A THROUGH PIER
MONOSLAB FOUNDATION

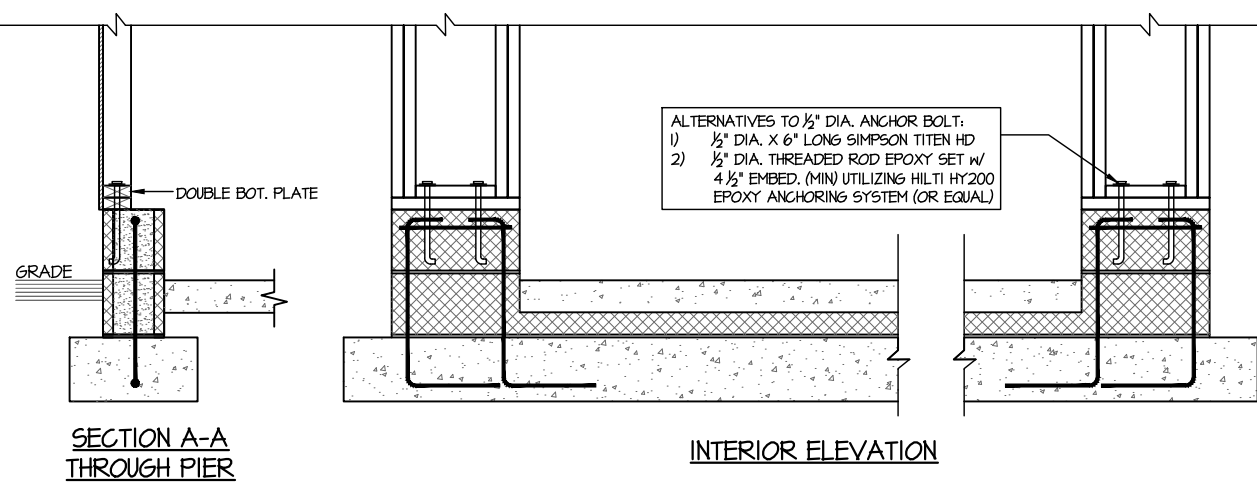
WALL FRAMING SPECIFICATION:
• 2x4 WALL: USE SP/SPF #2 GRADE STUDS (OR BETTER)
• 2x6 WALL: USE SP/SPF #2 GRADE STUDS (OR BETTER)



PLAN VIEW OF CORNER DETAIL



EXTERIOR ELEVATION

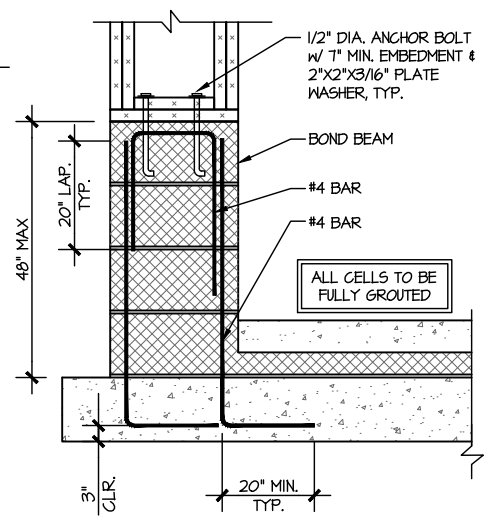


ALTERNATIVES TO 1/2" DIA. ANCHOR BOLT:
1) 1/2" DIA. X 6" LONG SIMPSON TITEN HD
2) 1/2" DIA. THREADED ROD EPOXY SET W/ 4 1/2" EMBED. (MIN) UTILIZING HILTI HY200 EPOXY ANCHORING SYSTEM (OR EQUAL)

SECTION A-A THROUGH PIER

INTERIOR ELEVATION

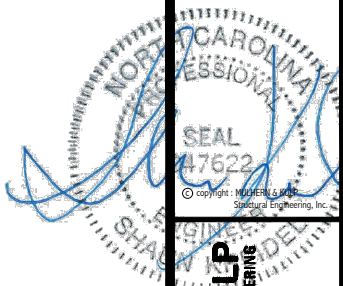
RAISED SLAB FOUNDATION



STEM ≤ 48" TALL

1 PORTAL FRAME DETAIL
SCALE: N.T.S.

BOTH SIDES OF GARAGE DOOR
1 KING STUD & RETURN WALLS

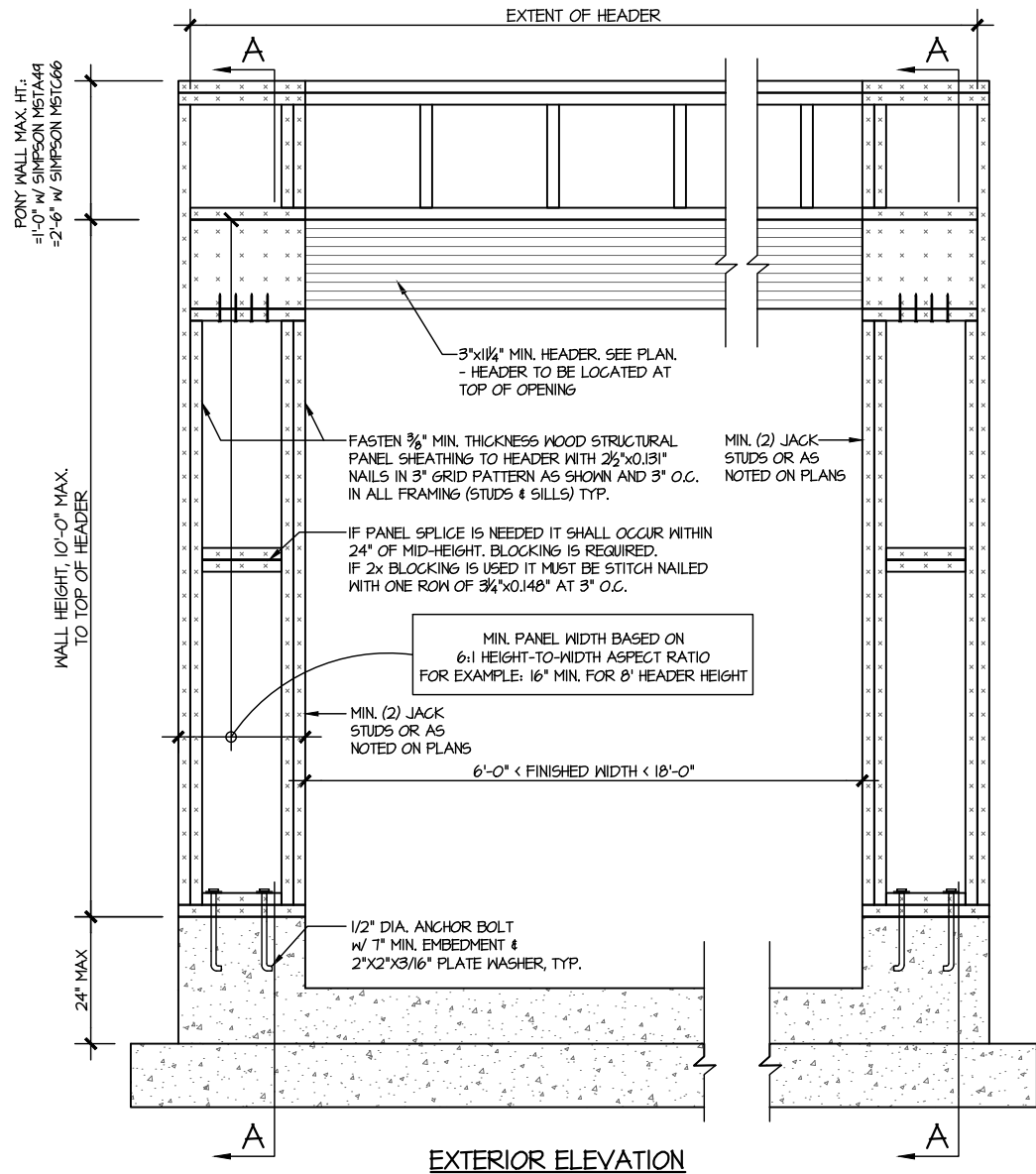


MULHERN+KULP
RESIDENTIAL STRUCTURAL ENGINEERING
300 Reynolds Ave., Building 4 - Asheville, PA, 18002
P: 212-605-8001 - mulhern@mkulpe.com
NC License # C-3825

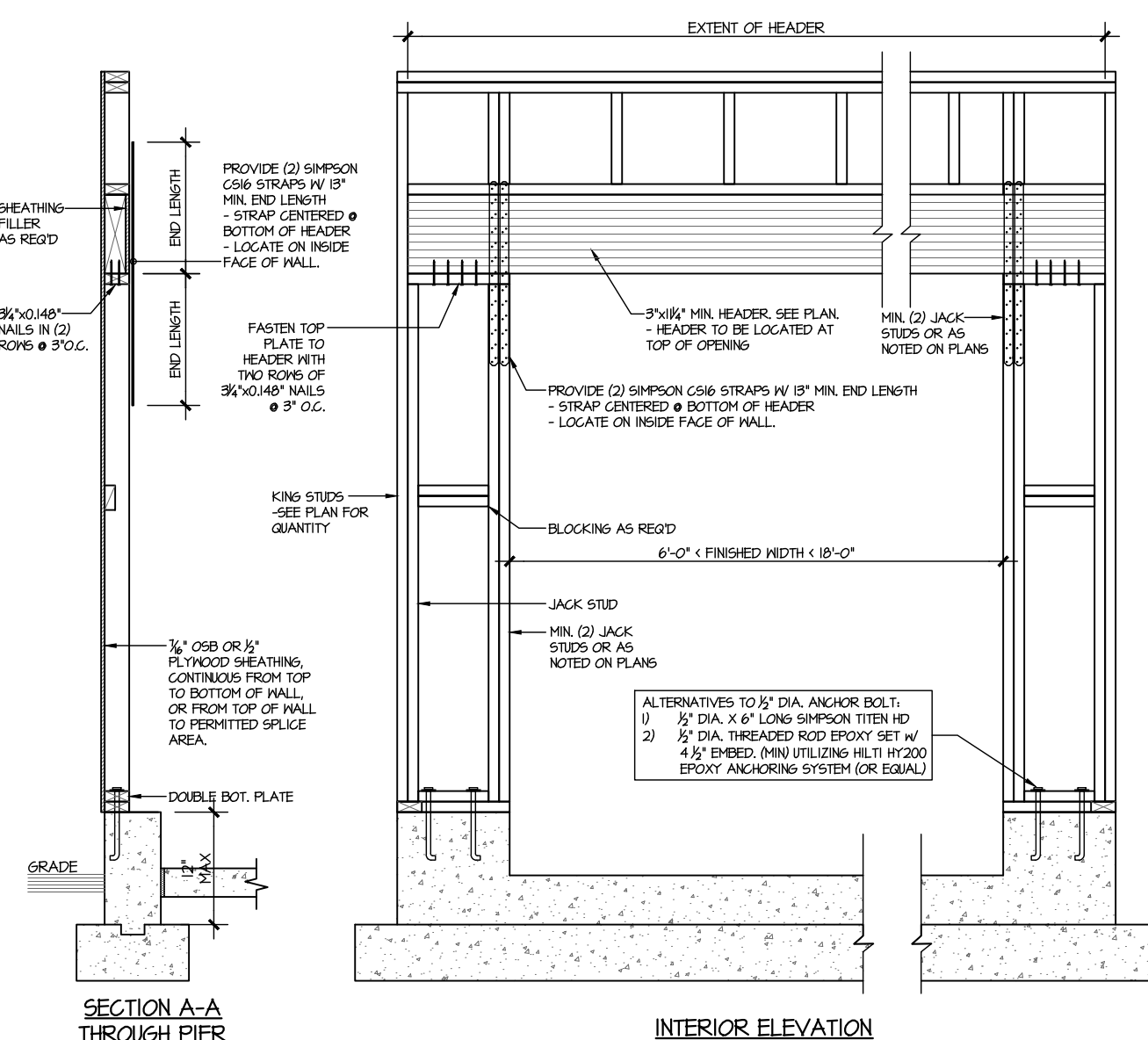
M&K project number:
192-17017
project mgr: **SMK**
drawn by: **MDS**
issue date: **09-04-20**
REVISIONS:
date: initial:
ARCH: v.01.01.00.00



STRUCTURAL DETAILS
TELFAIR
WIND SPEED < 115 MPH NORTH CAROLINA

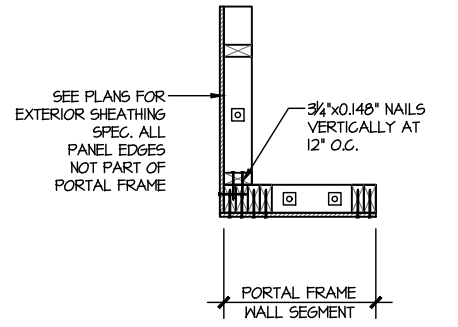


EXTERIOR ELEVATION

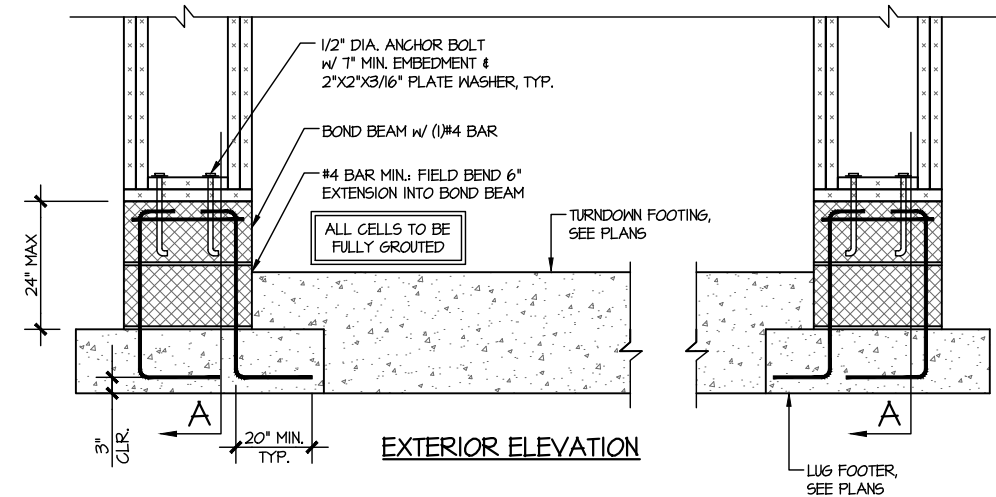


SECTION A-A THROUGH PIER
BASEMENT FOUNDATION

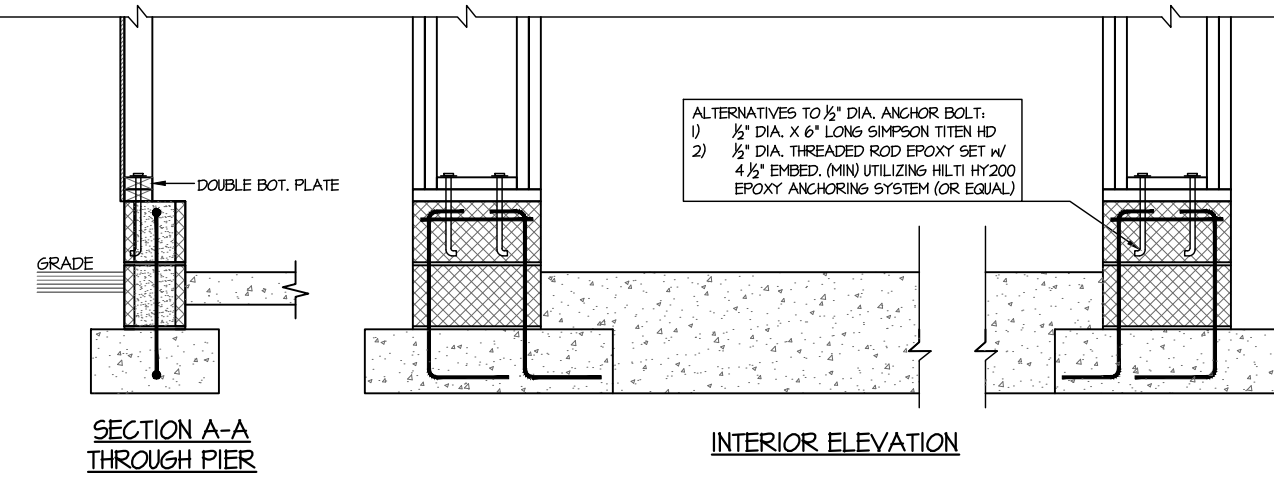
WALL FRAMING SPECIFICATION:
• 2x4 WALL: USE SP/SPF #2 GRADE STUDS (OR BETTER)
• 2x6 WALL: USE SP/SPF #2 GRADE STUDS (OR BETTER)



PLAN VIEW OF CORNER DETAIL

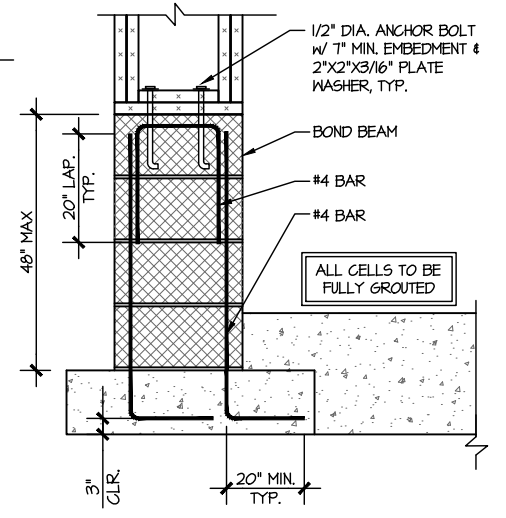


EXTERIOR ELEVATION



SECTION A-A THROUGH PIER

INTERIOR ELEVATION



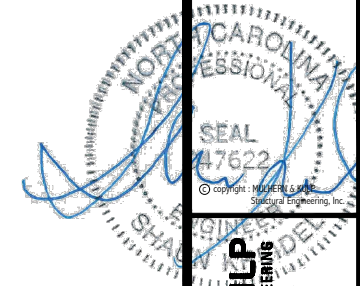
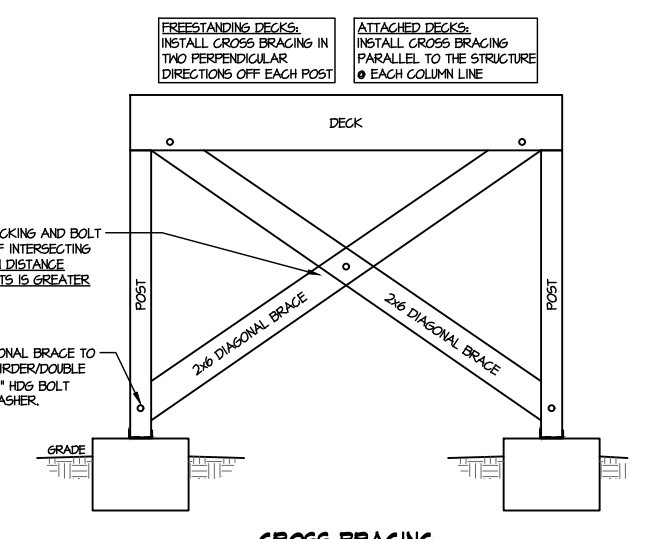
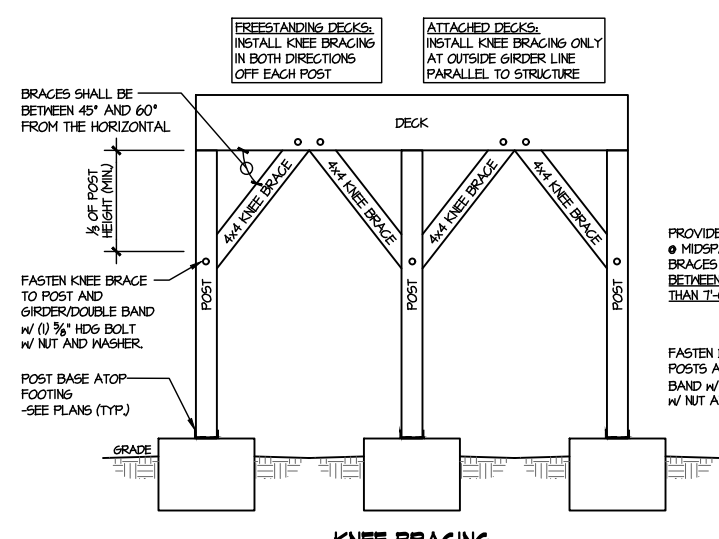
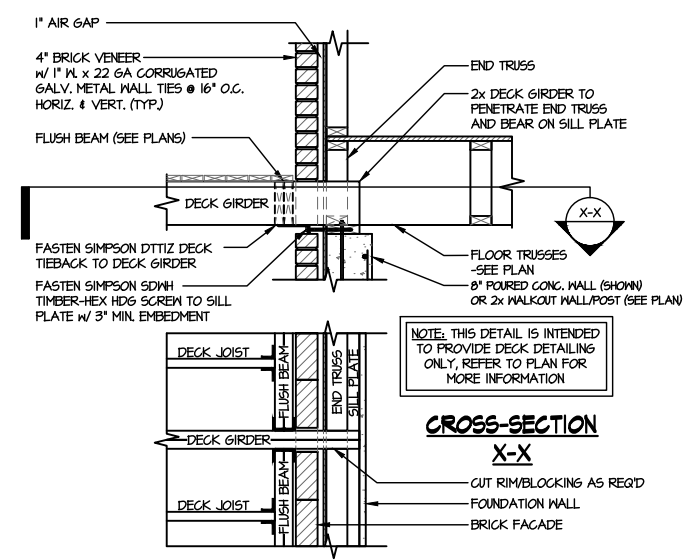
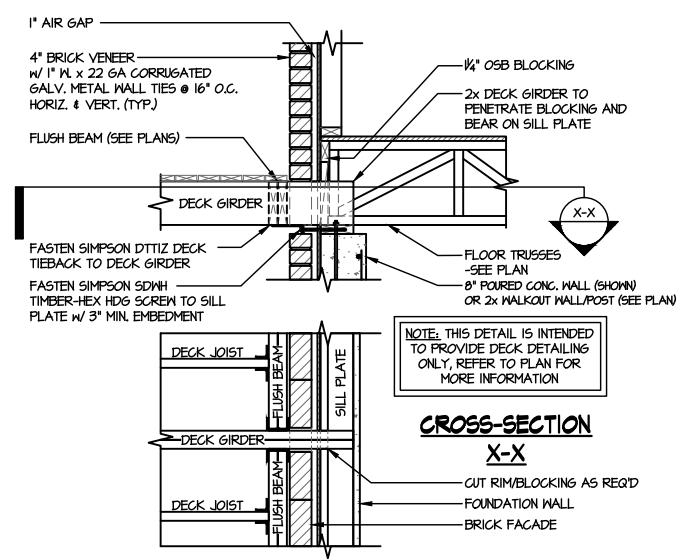
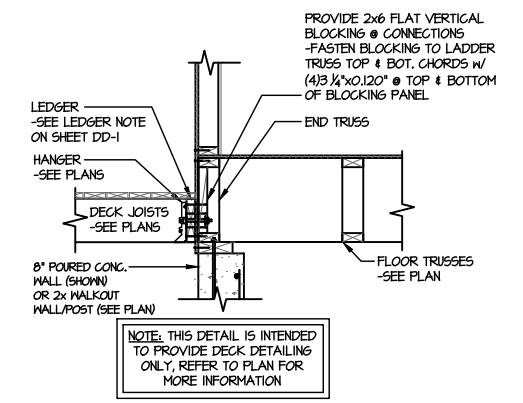
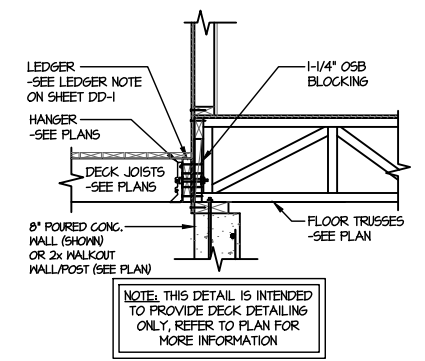
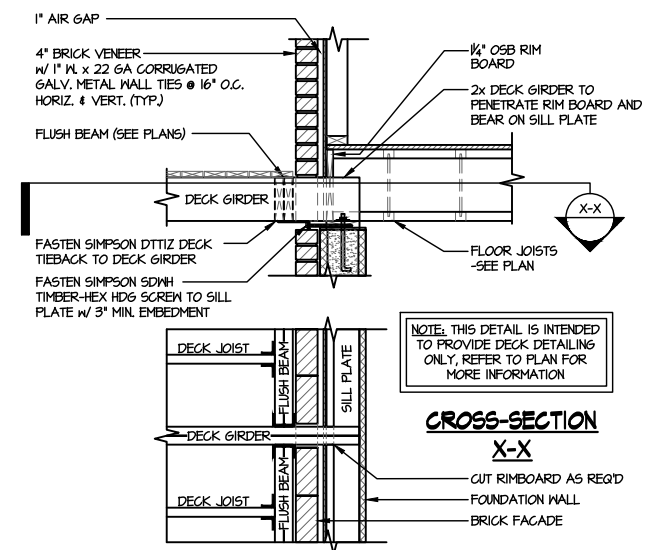
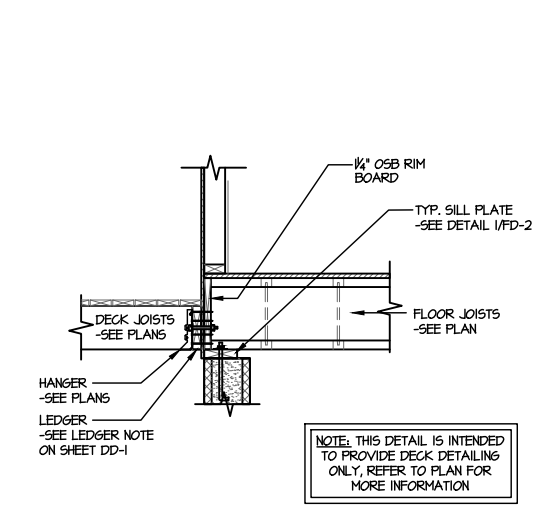
STEM HEIGHT >
24" & ≤ 48"
TALL

1 PORTAL FRAME DETAIL
SCALE: N.T.S.

BOTH SIDES OF GARAGE DOOR
1 KING STUD & RETURN WALLS

LEDGER NOTE

- LEDGER TO END TRUSSES:
-FASTEN 2x LEDGER (MATCH D.J.) TO END TRUSSES VERTICALS w/ (1) 1/2" DIA. THRU BOLT + (4) 2 1/2"x0.135" NAILS @ 16" O.C. PACK OUT END TRUSSES AS REQ'D FOR LEDGER FASTENING.
- LEDGER TO RIMBOARD/BLOCKING:
-FASTEN 2x LEDGER (MATCH D.J.) TO RIMBOARD/BLOCKING w/ (1) 1/2" DIA. THRU BOLT + (4) 2 1/2"x0.135" NAILS @ 16" O.C.
- PROVIDE (2) BOLTS IN END (2) JOIST BAYS @ EACH END OF DECK
- INSTALL (1) SIMPSON H3 CLIP ON LAST (2) DECK JOISTS @ EACH END OF DECK, CONNECTING SIDE OF JOIST TO TOP OF LEDGER (IRC R502.2.2)
- ALT. LEDGER SPEC:
FASTEN 2x10 LEDGER TO RIMBOARD w/ (2) 1/2" DIA. X 3 1/2" LONG SIMPSON S05 SCREWS @ 16" O.C.
- NOT APPLICABLE AT BRICK CONDITIONS



MULHERN+KULP
RESIDENTIAL STRUCTURAL ENGINEERING
300 Bechtelville Ave, Building 4 - Asheville, NC 28802
P: 715-256-8811 - mulhern@mk.com
NC License # C-3825

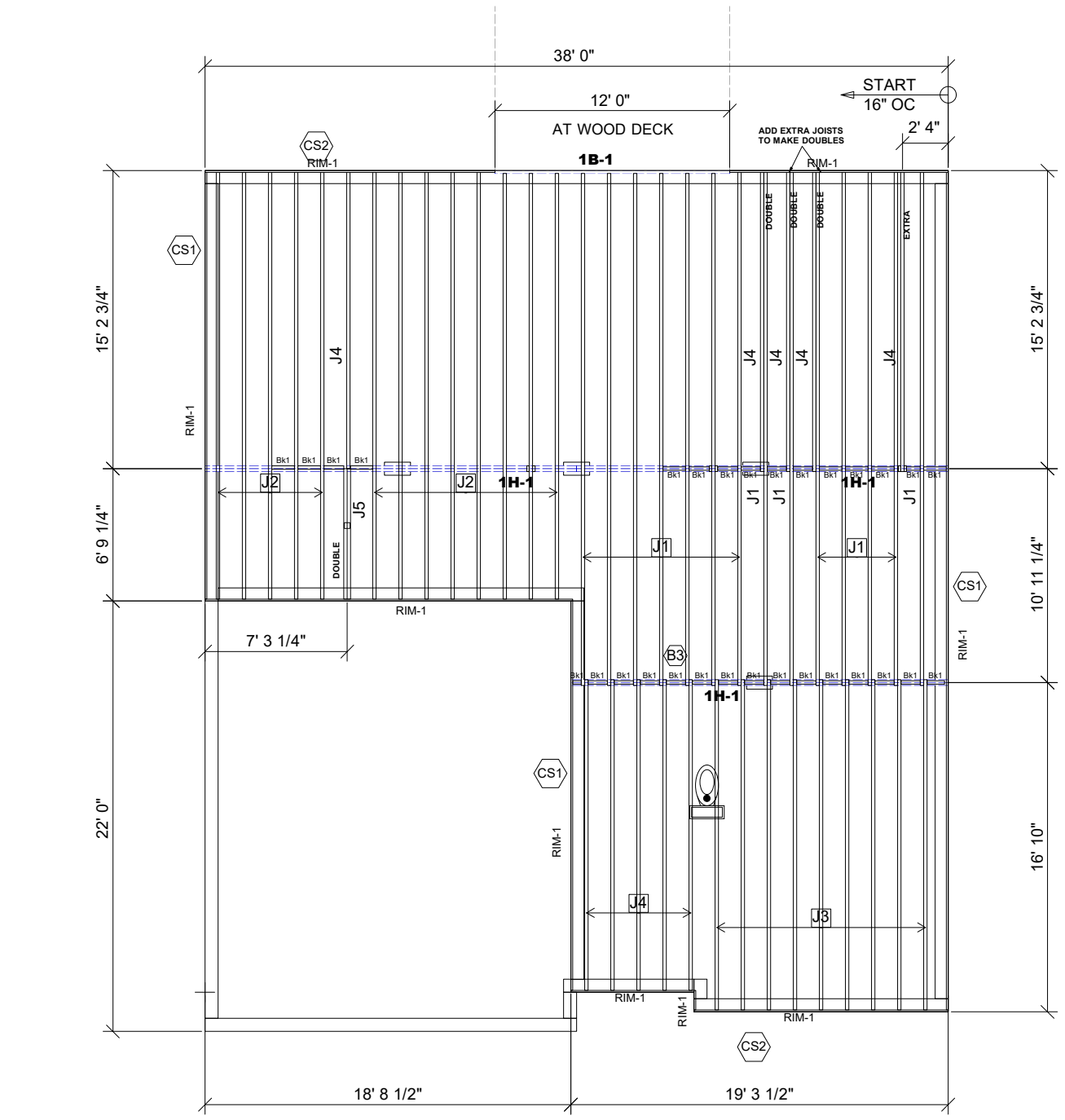
M&K project number: 192-17017
project mgr: SMK
drawn by: MDS
issue date: 09-04-20

REVISIONS:
date: initial:
ARCH: v.01.01.00.00



FOUNDATION DETAILS
TELFAIR
WIND SPEED < 115 MPH NORTH CAROLINA

THIS IS AN ENGINEERED WOOD PRODUCT (EWP) MEMBER PLACEMENT DIAGRAM ONLY; NOT AN ENGINEERED DOCUMENT. EWP members are designed as individual building components to be incorporated into the building design at the specification of the building designer. The Contractor is responsible for the temporary bracing of the floor system, and the building designer is responsible for the permanent bracing and blocking of the floor system and the overall structure. The design of the support structure including but not limited to headers, beams, walls, and columns is also the responsibility of the building designer. It is the responsibility of the General Contractor to verify that the provided layout matches the final intended construction plans, loading conditions, and use. If they do not, it is the responsibility of the General Contractor to notify UFP and provide plans containing the latest specifications and designs. UFP will not be responsible for plan changes by others after final approval of shop drawings, or for errors or modifications made on-site during construction. DO NOT CUT, NOTCH, DRILL, OR OTHERWISE "REPAIR" EWP MEMBERS IN ANY WAY WITHOUT PRIOR WRITTEN AUTHORIZATION BY A LICENSED PROFESSIONAL DESIGNATED BY UFP. The Framer is responsible to verify all dimensions, including adjusting member spacing within tolerances to allow for the drop and rise of plumbing/HVAC, unless noted otherwise. All connectors on this project are to be installed per the connector manufacturer's specifications. All connectors shown that are not joist to joist are suggestions only and are to be verified by the Building Designer or Engineer of Record for suitability to this particular project. UFP accepts no responsibility for the specific application or suitability of any connector that is not joist to joist as they apply to this specific structure.



Products					
PlotID	Length	Product	Plies	Net Qty	Fab Type
J1	27' 0"	11 7/8" TJI@ 210	1	14	MFD
J2	22' 0"	11 7/8" TJI@ 210	1	13	MFD
J3	17' 0"	11 7/8" TJI@ 210	1	9	MFD
J4	16' 0"	11 7/8" TJI@ 210	1	10	MFD
J5	7' 0"	11 7/8" TJI@ 210	2	2	MFD
1H-1	20' 0"	1 3/4" x 9 1/4" 2.0E Microllam@ LVL	2	6	MFD
1B-1	12' 0"	1 3/4" x 11 7/8" 2.0E Microllam@ LVL	1	1	MFD
RIM-1	16' 0"	1 1/8" x 11 7/8" TJI@ Rim Board	1	11	MFD
Bk1	2' 0"	11 7/8" TJI@ 210	1	30	FF

Connector Summary			
PlotID	Qty	Manuf	Product
H1	8	Simpson	IUS2.06/11.88

• Avoid Plumbing Drops

FIELD LOCATE PLUMBING DROPS/CAN LIGHTS, ETC... PRIOR TO JOIST SECUREMENT TO AVOID INTERFERENCE.

LAYOUT FOR 19.2" O/C

1= 19-3/16"	9= 172-13/16"
2= 38-3/8"	10= 192"
3= 57-5/8"	11= 211-3/16"
4= 76-13/16"	12= 230-3/8"
5= 96"	13= 249-13/16"
6= 115-3/16"	14= 268-13/16"
7= 134-3/8"	15= 288"
8= 153-5/8"	

GENERAL NOTES:

- TOP CHORD OF JOISTS ARE PAINTED RED AT NUMBERED END. PLACE PAINTED END AS NOTED ON PLAN.
- FOLLOW SPECIAL SPACING AND LOCATION DIMENSIONS FOR EXTRAS OR SHIFTED JOISTS AS SHOWN ON PLAN.
- ALL INTERIOR WALL PLATES MUST BE LEVEL WITH OUTSIDE WALL TOP PLATES.
- DO NOT STACK CONSTRUCTION LOADS ON UN-BRACED JOISTS.
- PROVIDE SOLID SUPPORT BELOW ALL BEAM AND HEADER BEARING POINTS IN WALL AND JOIST SPACES CONTINUOUS DOWN TO THE FOUNDATION.
- LOCATE CRIPPLE STUDS IN JOIST SPACE DIRECTLY BELOW HEADER JACKS AT ALL FIRST FLOOR EXTERIOR DOOR LOCATIONS.
- INSTALL NAILS IN ALL HOLES PROVIDED IN JOIST HANGERS EXCEPT AT BOTTOM CHORD SEAT. PLACE A DAB OF GLUE IN THE HANGER SEAT BEFORE SETTING JOISTS.
- IMPORTANT NOTE! NO STRUCTURAL ANALYSIS OF CONVENTIONAL HEADERS HAS BEEN CONDUCTED IF NOT NOTED. THEY ARE CONSIDERED TO BE ADEQUATE TO SUPPORT THE APPLIED LOADS.

PLAN LEGEND

- 1B-, 2B-** INDICATES BEAM ABOVE TOP PLATE (FLUSH WITH FLOOR SYSTEM)
 - H-, 1H-, GDH-** INDICATES BEAM BELOW TOP PLATE (GROUPED BELOW FLOOR SYSTEM)
 - *BEAMS MAY PROTRUDE ABOVE OR BELOW DECKING OR TOP PLATE RESPECTIVELY. REFER TO DETAIL IF BEAM IS A DIFFERENT DEPTH THAN FLOOR SYSTEM
 - SINGLE PLY BEAM** INDICATE FOR EACH ADDITIONAL PLY
 - SHIFT** SHIFT JOIST TO MISS PLUMBING, ALIGN WITH WALL OR SUPPORT FURNITURE
 - EXTRA** A JOIST ADDED TO THE LAYOUT IN ADDITION TO THE ON CENTER JOISTS
 - DOUBLE** TWO JOISTS SIDE BY SIDE (ONLY ASSEMBLED IF NOTED)
- ALL DIMENSIONS TO CENTERLINE UNLESS OTHERWISE NOTED

FRAMER NOTE

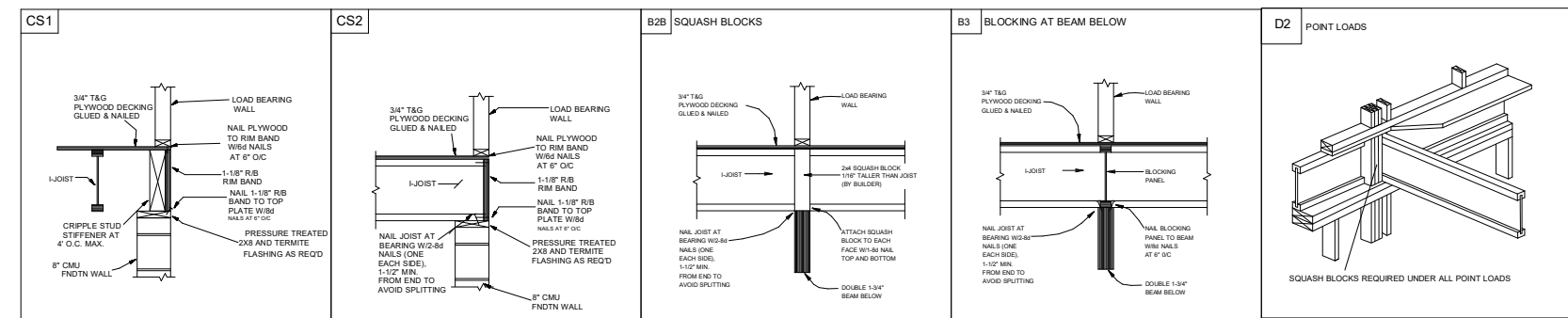
- GLUE AND NAIL PLYWOOD SUBFLOOR TO BEAMS AND GIRDERS AT 6" O/C WHERE NO WALL IS ABOVE.
- FILL HANGER SEAT WITH GLUE BEFORE SETTING JOIST IN HANGER. FILL ROUND HOLES WITH NAILS.

CRITICAL !!

INSTALL 2X4 SQUASH BLOCKS IN FLOOR TRUSS SPACE BELOW ALL EXTERIOR DOOR HEADER JACKS. CUT 1/16" TALLER THAN TRUSS.

FIELD VERIFY DIMENSIONS TO JOISTS LOCATED UNDER WALLS!!

1ST FLOOR LAYOUT



1ST FLOOR PLACEMENT PLAN

SCALE: 1/8"=1'

UFP SITE BUILT
A UFP INDUSTRIES COMPANY

Burlington, NC
Chesapeake, VA
Clinton, NC
Conway, SC
Jefferson, GA

Locust, NC
Liberty, NC
Oolitehah, TN
Pearisburg, VA
Stanfield, NC

Customer Service (800) 476-9356



This drawing is property of UFP Site Built, LLC. Any unauthorized use of this document without written permission is prohibited. UFP relinquishes ownership of delivered product upon delivery. Owner of product must obtain UFP's authorization prior to any alteration or modification of product. UFP will not be held responsible for any unauthorized modifications done or costs incurred without prior written authorization from UFP.

MUNGO HOMES OF NC

CAMBRIDGE RESERVE

TELFAIR

LOT 52

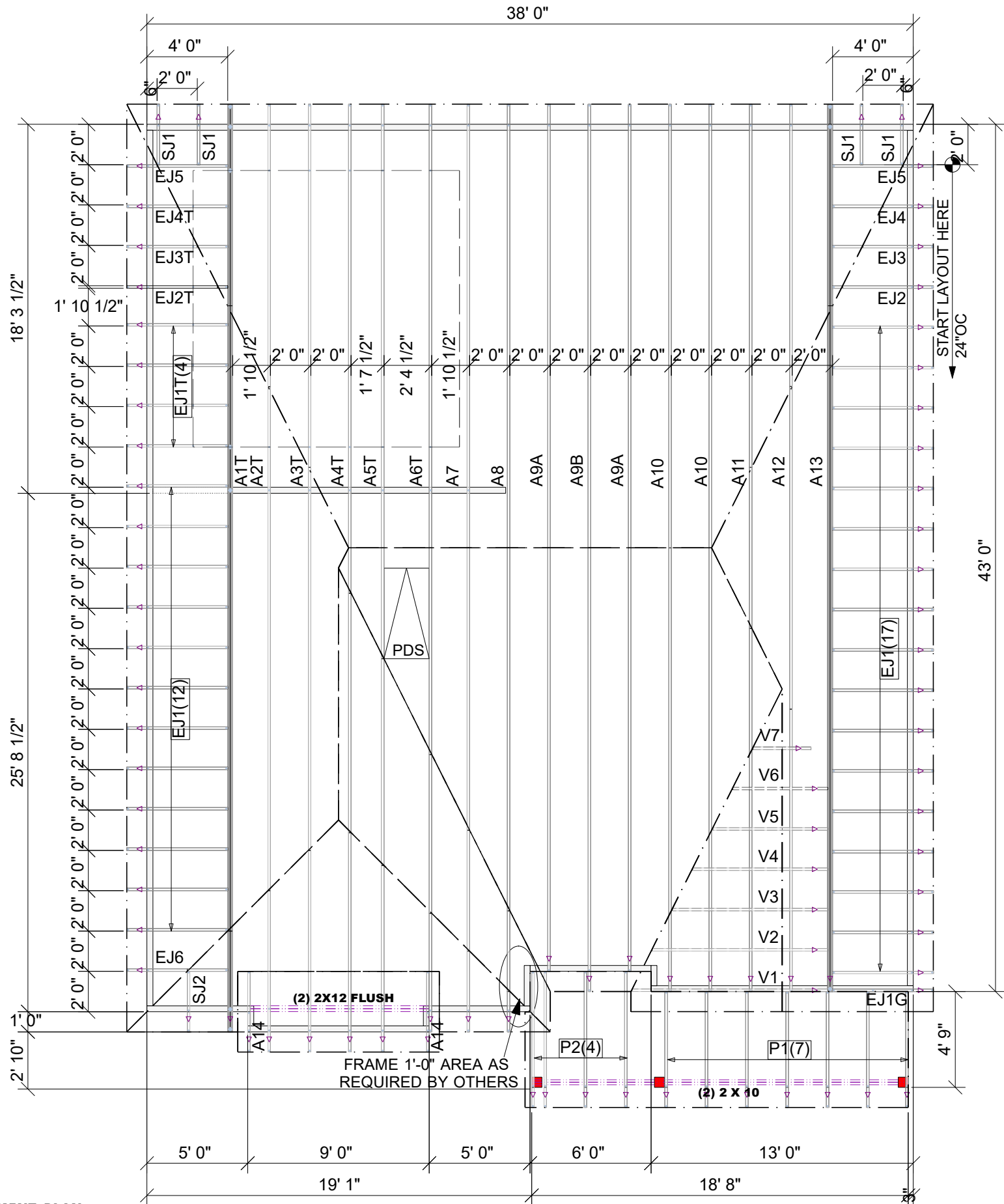
ANGIER, NC

REVISIONS	DATE	DESCRIPTION	DSN

DESIGNER GB1
LAYOUT DATE 11/13/2024
ARCH DATE
STRUC DATE
JOB #: 25011628F1

72502041 52 CAMBRIDGE RESERVE

THIS IS A TRUSS PLACEMENT DIAGRAM (TPD) ONLY. NOT AN ENGINEERED DOCUMENT. Trusses are designed as individual building components to be incorporated into the building design at the specification of the building designer. See individual truss design drawings (TDD's) for each truss design identified on the TPD. The Contractor is responsible for the temporary bracing of the roof and floor system, and requirements for the permanent restraint/bracing of truss systems may be met by following the methods outlined in ANSI-TPI 1-2014 - 2.3.3. The design of the support structure including but not limited to headers, beams, walls, and columns is also the responsibility of the building designer. For general guidance regarding installation and bracing, consult "Building Component Safety Information" (BCSI) available from the SBC Association (www.sbcassociation.com). It is the responsibility of the General Contractor to verify that the provided component layout matches the final intended construction plans, loading conditions, and use. If they do not, it is the responsibility of the General Contractor to notify UFP and provide plans containing the latest specifications and designs. UFP will not be responsible for plan changes by others after final approval of shop drawings, or for errors or modifications made on-site during construction. DO NOT CUT, NOTCH, DRILL, OR OTHERWISE "REPAIR" MANUFACTURED TRUSSES IN ANY WAY WITHOUT PRIOR WRITTEN AUTHORIZATION BY A LICENSED PROFESSIONAL DESIGNATED BY UFP. The Framing is responsible to verify all dimensions, including adjusting member spacing within tolerances to allow for the drop and rise of plumbing/HVAC, unless noted otherwise. Truss-to-wall connections, if shown, are for uplift only and do not consider lateral loads. All connectors on this project are to be installed per the connector manufacturer's specifications. All connectors shown that are not truss-to-truss are suggestions only and are to be verified by the Building Designer or Engineer of Record for suitability to this particular project. UFP accepts no responsibility for the specific application or suitability of any connector that is not truss-to-truss as they apply to this specific structure.



****NOTE****
 (4) LUS26 HANGERS TO BE USED @ PDS HEADERS (NOT SHOWN)
 ADD 2X4 BLOCKING IN FIELD FOR ROOF SHEATHING AND DRYWALL
 @ PULL DOWN STAIR AREA AS NEEDED

ROOF PLACEMENT PLAN

△ INDICATES LEFT END OF TRUSS SCALE: N.T.S.

ROOF AREA: 2419.12 ft ² sqft	RIDGE LINE: 46.5 ft	VALLEY LINES: 44.09 ft	HIP LINES: 100.06 ft	THESE VALUES ARE APPROXIMATE ONLY																		
TELFAIR D ROOF		MUNGO HOMES																				
REVISIONS <table border="1" style="width: 100%; border-collapse: collapse;"> <thead> <tr> <th>DATE</th> <th>DESCRIPTION</th> <th>DSN</th> </tr> </thead> <tbody> <tr><td> </td><td> </td><td> </td></tr> <tr><td> </td><td> </td><td> </td></tr> <tr><td> </td><td> </td><td> </td></tr> <tr><td> </td><td> </td><td> </td></tr> <tr><td> </td><td> </td><td> </td></tr> </tbody> </table>					DATE	DESCRIPTION	DSN															
DATE	DESCRIPTION	DSN																				
DESIGNER LJP LAYOUT DATE 01/13/2025 ARCH DATE - STRUC DATE -		JOB #: 25010320																				

This drawing is property of UFP Site Built, LLC. Any unauthorized use of this document without written permission is prohibited. UFP relinquishes ownership of delivered product upon delivery. Owner of product must obtain UFP's authorization prior to any alteration or modification of product. UFP will not be held responsible for any unauthorized modifications done or costs incurred without prior written authorization from UFP.

Burlington, NC
 Chesapeake, VA
 Clinton, NC
 Conway, SC
 Jefferson, GA

Locust, NC
 Liberty, NC
 Ooltewah, TN
 Pearisburg, VA
 Stanfield, NC

UFP SITE BUILT
 A UFP INDUSTRIES COMPANY

Customer Service (800) 476-9356