

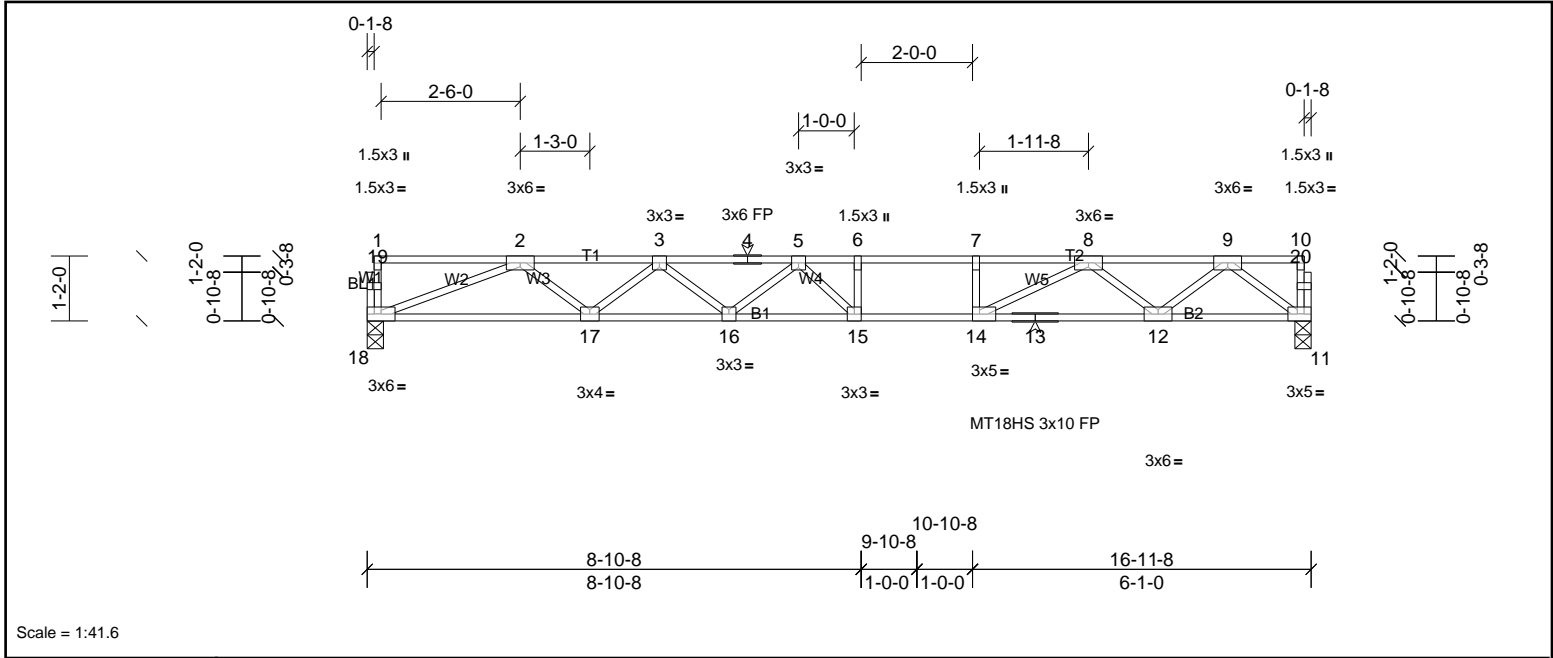
Job 72435959	Truss F200	Truss Type Truss	Qty 6	Ply 1	MUNGO HOMES - TELFAIR 2ND FLR Job Reference (optional)
-----------------	---------------	---------------------	----------	----------	---

UFP Mid Atlantic LLC, 5631 S. NC 62, Burlington, NC, Joy Perry

Run: 8.81 S Sep 13 2024 Print: 8.810 S Sep 13 2024 MiTek Industries, Inc. Mon Nov 18 08:16:52

Page: 1

ID:a?q6?71yTv6SHVH?OIzQv2z8gqv-NWgcm4a2u4ZbFLsVD0Bk4sTCIwVAFMFwC9_AabyI0ew



Scale = 1:41.6

Plate Offsets (X, Y):	[11:0-2-0,Edge], [14:0-1-8,Edge]											
Loading	(psf)	Spacing	2-0-0	CSI		DEFL	in	(loc)	l/defl	L/d	PLATES	GRIP
TCLL	40.0	Plate Grip DOL	1.00	TC	0.96	Vert(LL)	-0.30	15-16	>669	480	MT18HS	244/190
TCDL	10.0	Lumber DOL	1.00	BC	0.71	Vert(CT)	-0.41	15-16	>486	360	MT20	244/190
BCLL	0.0	Rep Stress Incr	YES	WB	0.58	Horz(CT)	0.05	11	n/a	n/a		
BCDL	5.0	Code	IRC2015/TPI2014	Matrix-SH							Weight: 83 lb	FT = 20%F, 12%E

LUMBER		BRACING	
TOP CHORD	2x4 SP No.1(flat)	TOP CHORD	Structural wood sheathing directly applied, except end verticals.
BOT CHORD	2x4 SP SS(flat)	BOT CHORD	Rigid ceiling directly applied or 10-0-0 oc bracing.
WEBS	2x4 SP No.3(flat)		
OTHERS	2x4 SP No.3(flat)		

REACTIONS	(lb/size)	11=913/0-3-8, (min. 0-1-8), 18=913/0-3-8, (min. 0-1-8)
FORCES	(lb) - Max. Comp./Max. Ten. - All forces 250 (lb) or less except when shown.	
TOP CHORD		2-3=-2597/0, 3-4=-3455/0, 4-5=-3455/0, 5-6=-3525/0, 6-7=-3525/0, 7-8=-3525/0, 8-9=-1896/0
BOT CHORD		17-18=0/1991, 16-17=0/3172, 15-16=0/3655, 14-15=0/3525, 13-14=0/2649, 12-13=0/2649, 11-12=0/1141
WEBS		7-14=-343/0, 2-18=-2135/0, 2-17=0/789, 3-17=-748/0, 3-16=0/368, 5-16=-320/0, 5-15=-419/309, 9-11=-1429/0, 9-12=0/983, 8-12=-980/0, 8-14=0/1121

- NOTES**
- 1) Unbalanced floor live loads have been considered for this design.
 - 2) All plates are MT20 plates unless otherwise indicated.
 - 3) This truss is designed in accordance with the 2015 International Residential Code sections R502.11.1 and R802.10.2 and referenced standard ANSI/TPI 1.
 - 4) Recommend 2x6 strongbacks, on edge, spaced at 10-00-00 oc and fastened to each truss with 3-10d (0.131" X 3") nails. Strongbacks to be attached to walls at their outer ends or restrained by other means.



This design is based upon parameters shown, and is for an individual building component to be installed and loaded vertically. Applicability of design parameters and proper incorporation of component is responsibility of the Building Designer. Building Designer shall verify all design information on this sheet for conformance with conditions and requirements of the specific building and governing codes and ordinances. Building Designer accepts responsibility for the correctness or accuracy of the design information as it may relate to a specific building. Certification is valid only when truss is fabricated by a UFPI plant. Bracing shown is for lateral support of truss members only and does not replace erection and permanent bracing. Refer to Building Component Safety Information (BCSI) for general guidance regarding storage, erection and bracing available from SBCA and Truss Plate Institute.



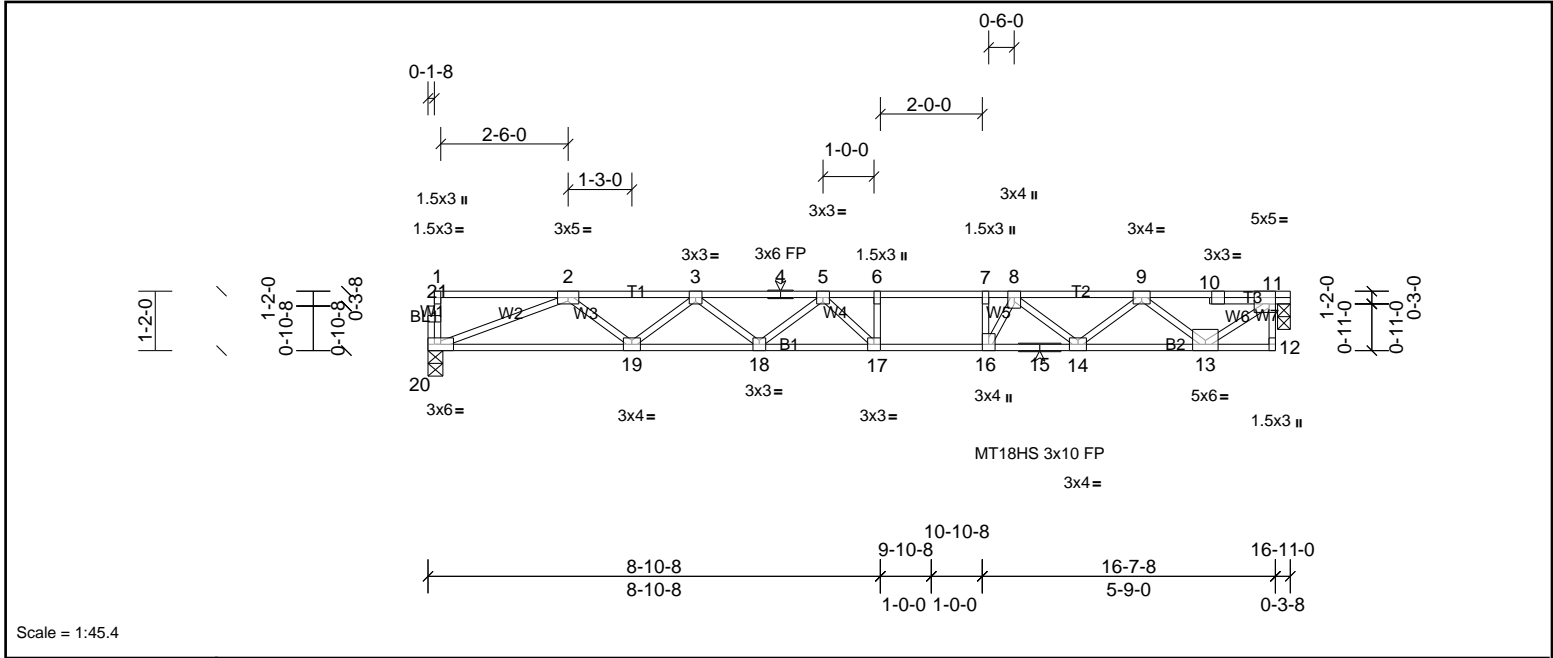
Job 72435959	Truss F201	Truss Type Truss	Qty 1	Ply 1	MUNGO HOMES - TELFAIR 2ND FLR Job Reference (optional)
-----------------	---------------	---------------------	----------	----------	---

UFP Mid Atlantic LLC, 5631 S. NC 62, Burlington, NC, Joy Perry

Run: 8.81 S Sep 13 2024 Print: 8.810 S Sep 13 2024 MiTek Industries, Inc. Mon Nov 18 08:16:53

Page: 1

ID:a?q6?71yTv6SHVH?OIZqv2z8gqv-JuoMBmcJQhpJUf0tKREC9HYcWkDvjGIDFTTGeTyl0eu



Scale = 1:45.4

Plate Offsets (X, Y):	[11:0-1-8,Edge]											
Loading	(psf)	Spacing	2-0-0	CSI		DEFL	in	(loc)	l/defl	L/d	PLATES	GRIP
TCLL	40.0	Plate Grip DOL	1.00	TC	0.65	Vert(LL)	-0.26	17-18	>754	480	MT18HS	244/190
TCDL	10.0	Lumber DOL	1.00	BC	0.63	Vert(CT)	-0.36	17-18	>546	360	MT20	244/190
BCLL	0.0	Rep Stress Incr	YES	WB	0.61	Horz(CT)	0.02	11	n/a	n/a		
BCDL	5.0	Code	IRC2015/TPI2014	Matrix-SH							Weight: 84 lb	FT = 20%F, 12%E

LUMBER		BRACING	
TOP CHORD	2x4 SP SS(flat)	TOP CHORD	Structural wood sheathing directly applied or 6-0-0 oc purlins, except end verticals.
BOT CHORD	2x4 SP SS(flat)	BOT CHORD	Rigid ceiling directly applied or 10-0-0 oc bracing.
WEBS	2x4 SP No.3(flat)		
OTHERS	2x4 SP No.3(flat)		

REACTIONS	(lb/size)	11=904/0-3-0, (min. 0-1-8), 20=898/0-3-8, (min. 0-1-8)
FORCES	(lb) - Max. Comp./Max. Ten. - All forces 250 (lb) or less except when shown.	
TOP CHORD		2-3=-2542/0, 3-4=-3362/0, 4-5=-3362/0, 5-6=-3404/0, 6-7=-3404/0, 7-8=-3404/0, 8-9=-2483/0, 9-10=-1031/0, 10-11=-1036/0
BOT CHORD		19-20=0/1953, 18-19=0/3098, 17-18=0/3550, 16-17=0/3404, 15-16=0/3096, 14-15=0/3096, 13-14=0/1913
WEBS		2-20=-2095/0, 2-19=0/767, 3-19=-723/0, 3-18=0/344, 5-18=-295/0, 5-17=-410/271, 11-13=0/1287, 9-13=-1147/0, 9-14=0/742, 8-14=-798/0, 7-16=-622/0, 8-16=0/914

- NOTES**
- 1) Unbalanced floor live loads have been considered for this design.
 - 2) All plates are MT20 plates unless otherwise indicated.
 - 3) This truss is designed in accordance with the 2015 International Residential Code sections R502.11.1 and R802.10.2 and referenced standard ANSI/TPI 1.
 - 4) Recommend 2x6 strongbacks, on edge, spaced at 10-00-00 oc and fastened to each truss with 3-10d (0.131" X 3") nails. Strongbacks to be attached to walls at their outer ends or restrained by other means.
 - 5) Gap between inside of top chord bearing and first diagonal or vertical web shall not exceed 0.500in.
 - 6) CAUTION, Do not erect truss backwards.



This design is based upon parameters shown, and is for an individual building component to be installed and loaded vertically. Applicability of design parameters and proper incorporation of component is responsibility of the Building Designer. Building Designer shall verify all design information on this sheet for conformance with conditions and requirements of the specific building and governing codes and ordinances. Building Designer accepts responsibility for the correctness or accuracy of the design information as it may relate to a specific building. Certification is valid only when truss is fabricated by a UFPI plant. Bracing shown is for lateral support of truss members only and does not replace erection and permanent bracing. Refer to Building Component Safety Information (BCSI) for general guidance regarding storage, erection and bracing available from SBCA and Truss Plate Institute.



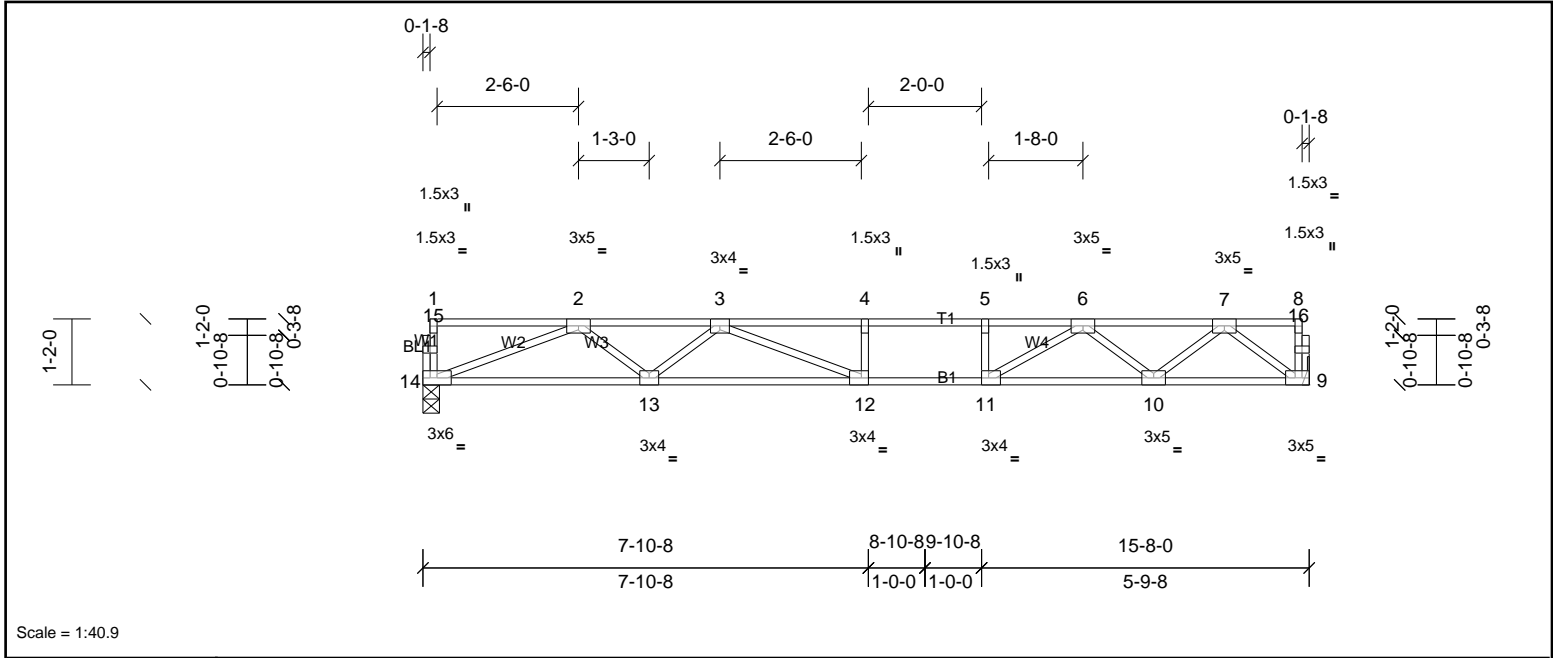
Job 72435959	Truss F202	Truss Type Truss	Qty 3	Ply 1	MUNGO HOMES - TELFAIR 2ND FLR Job Reference (optional)
-----------------	---------------	---------------------	----------	----------	---

UFP Mid Atlantic LLC, 5631 S. NC 62, Burlington, NC, Joy Perry

Run: 8.81 S Sep 13 2024 Print: 8.810 S Sep 13 2024 MiTek Industries, Inc. Mon Nov 18 08:16:54

Page: 1

ID:a?q6?71yTv6SHVH?OIZqv2z8gqv-n5MIP6cxB?yA6pb3u8IRiU5jY8TJskmNu7DqAwyI0et



Scale = 1:40.9

Plate Offsets (X, Y):	[9:0-2-0,Edge], [11:0-1-8,Edge], [12:0-1-8,Edge]											
Loading	(psf)	Spacing	2-0-0	CSI		DEFL	in	(loc)	l/defl	L/d	PLATES	GRIP
TCLL	40.0	Plate Grip DOL	1.00	TC	0.96	Vert(LL)	-0.31	12-13	>592	480	MT20	244/190
TCDL	10.0	Lumber DOL	1.00	BC	0.93	Vert(CT)	-0.42	12-13	>438	360		
BCLL	0.0	Rep Stress Incr	YES	WB	0.53	Horz(CT)	0.05	9	n/a	n/a		
BCDL	5.0	Code	IRC2015/TPI2014	Matrix-SH							Weight: 76 lb	FT = 20%F, 12%E

LUMBER		BRACING	
TOP CHORD	2x4 SP No.2(flat)	TOP CHORD	Structural wood sheathing directly applied or 2-2-0 oc purlins, except end verticals.
BOT CHORD	2x4 SP No.1(flat)	BOT CHORD	Rigid ceiling directly applied or 2-2-0 oc bracing.
WEBS	2x4 SP No.3(flat)		
OTHERS	2x4 SP No.3(flat)		

REACTIONS	(lb/size)	9=842/ Mechanical, (min. 0-1-8), 14=842/0-3-8, (min. 0-1-8)
FORCES	(lb) - Max. Comp./Max. Ten. - All forces 250 (lb) or less except when shown.	
TOP CHORD		2-3=-2364/0, 3-4=-3053/0, 4-5=-3053/0, 5-6=-3053/0, 6-7=-1717/0
BOT CHORD		13-14=0/1823, 12-13=0/2826, 11-12=0/3053, 10-11=0/2388, 9-10=0/1048
WEBS		5-11=-322/0, 2-14=-1954/0, 2-13=0/704, 3-13=-602/0, 3-12=-60/583, 7-9=-1313/0, 7-10=0/870, 6-10=-874/0, 6-11=0/943

- NOTES**
- 1) Unbalanced floor live loads have been considered for this design.
 - 2) This truss is designed in accordance with the 2015 International Residential Code sections R502.11.1 and R802.10.2 and referenced standard ANSI/TPI 1.
 - 3) Recommend 2x6 strongbacks, on edge, spaced at 10-00-00 oc and fastened to each truss with 3-10d (0.131" X 3") nails. Strongbacks to be attached to walls at their outer ends or restrained by other means.



This design is based upon parameters shown, and is for an individual building component to be installed and loaded vertically. Applicability of design parameters and proper incorporation of component is responsibility of the Building Designer. Building Designer shall verify all design information on this sheet for conformance with conditions and requirements of the specific building and governing codes and ordinances. Building Designer accepts responsibility for the correctness or accuracy of the design information as it may relate to a specific building. Certification is valid only when truss is fabricated by a UFPI plant. Bracing shown is for lateral support of truss members only and does not replace erection and permanent bracing. Refer to Building Component Safety Information (BCSI) for general guidance regarding storage, erection and bracing available from SBCA and Truss Plate Institute.



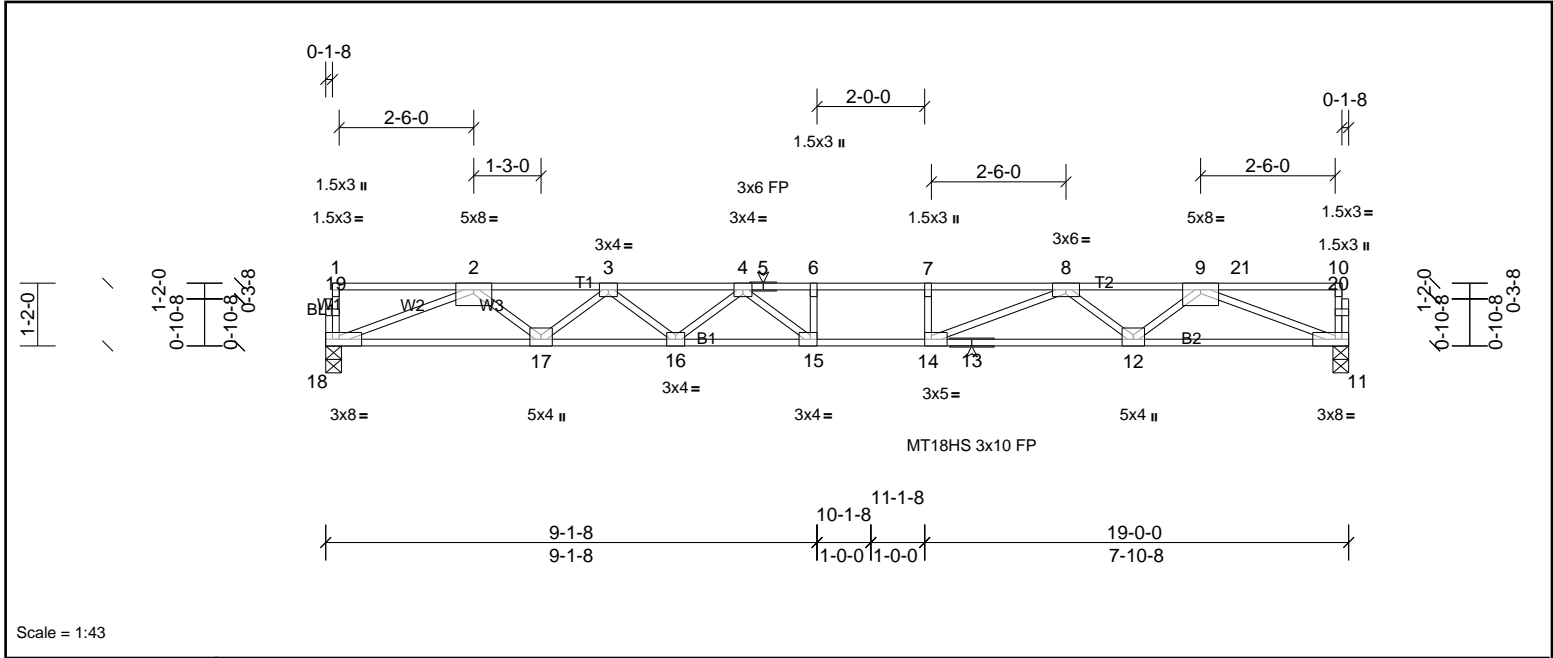
Job 72435959	Truss F203	Truss Type Truss	Qty 9	Ply 1	MUNGO HOMES - TELFAIR 2ND FLR Job Reference (optional)
-----------------	---------------	---------------------	----------	----------	---

UFP Mid Atlantic LLC, 5631 S. NC 62, Burlington, NC, Joy Perry

Run: 8.81 S Sep 13 2024 Print: 8.810 S Sep 13 2024 MiTek Industries, Inc. Mon Nov 18 08:16:54

Page: 1

ID:gybFDKc1Jhmb30WAxcCoLz1jXX-n5MIP6cxByA6pb3u8RIU5lz8VQSf5Nu7DqAwyI0et



Scale = 1:43

Plate Offsets (X, Y):	[14:0-1-8,Edge], [15:0-1-8,Edge]											
Loading	(psf)	Spacing	2-0-0	CSI		DEFL	in	(loc)	l/defl	L/d	PLATES	GRIP
TCLL	40.0	Plate Grip DOL	1.00	TC	0.80	Vert(LL)	-0.36	15-16	>617	480	MT18HS	244/190
TCDL	10.0	Lumber DOL	1.00	BC	0.80	Vert(CT)	-0.57	15	>398	360	MT20	244/190
BCLL	0.0	Rep Stress Incr	NO	WB	0.83	Horz(CT)	0.09	11	n/a	n/a		
BCDL	5.0	Code	IRC2015/TPI2014	Matrix-SH							Weight: 92 lb	FT = 20%F, 12%E

LUMBER		BRACING	
TOP CHORD	2x4 SP SS(flat)	TOP CHORD	Structural wood sheathing directly applied or 5-6-11 oc purlins, except end verticals.
BOT CHORD	2x4 SP SS(flat)	BOT CHORD	Rigid ceiling directly applied or 10-0-0 oc bracing.
WEBS	2x4 SP No.3(flat)		
OTHERS	2x4 SP No.3(flat)		

REACTIONS	(lb/size)	11=1320/0-3-8, (min. 0-1-8), 18=1127/0-3-8, (min. 0-1-8)
FORCES	(lb) - Max. Comp./Max. Ten. - All forces 250 (lb) or less except when shown.	
TOP CHORD		2-3=-3394/0, 3-4=-4744/0, 4-5=-5465/0, 5-6=-5465/0, 6-7=-5465/0, 7-8=-5465/0, 8-9=-3718/0
BOT CHORD		17-18=0/2528, 16-17=0/4220, 15-16=0/5234, 14-15=0/5465, 13-14=0/4544, 12-13=0/4544, 11-12=0/2845
WEBS		6-15=-350/0, 7-14=-346/0, 2-18=-2713/0, 2-17=0/1128, 3-17=-1075/0, 3-16=0/683, 4-16=-638/0, 4-15=-89/757, 8-14=0/1227, 8-12=-1075/0, 9-12=0/1137, 9-11=-3049/0

- NOTES**
- 1) Unbalanced floor live loads have been considered for this design.
 - 2) All plates are MT20 plates unless otherwise indicated.
 - 3) This truss is designed in accordance with the 2015 International Residential Code sections R502.11.1 and R802.10.2 and referenced standard ANSI/TPI 1.
 - 4) Load case(s) 1 has/have been modified. Building designer must review loads to verify that they are correct for the intended use of this truss.
 - 5) Recommend 2x6 strongbacks, on edge, spaced at 10-00-00 oc and fastened to each truss with 3-10d (0.131" X 3") nails. Strongbacks to be attached to walls at their outer ends or restrained by other means.

LOAD CASE(S)	Standard
1)	Dead + Floor Live (balanced): Lumber Increase=1.00, Plate Increase=1.00 Uniform Loads (lb/ft) Vert: 11-18=-10, 1-4=-100, 4-21=-130, 10-21=-166



This design is based upon parameters shown, and is for an individual building component to be installed and loaded vertically. Applicability of design parameters and proper incorporation of component is responsibility of the Building Designer. Building Designer shall verify all design information on this sheet for conformance with conditions and requirements of the specific building and governing codes and ordinances. Building Designer accepts responsibility for the correctness or accuracy of the design information as it may relate to a specific building. Certification is valid only when truss is fabricated by a UFPI plant. Bracing shown is for lateral support of truss members only and does not replace erection and permanent bracing. Refer to Building Component Safety Information (BCSI) for general guidance regarding storage, erection and bracing available from SBCA and Truss Plate Institute.



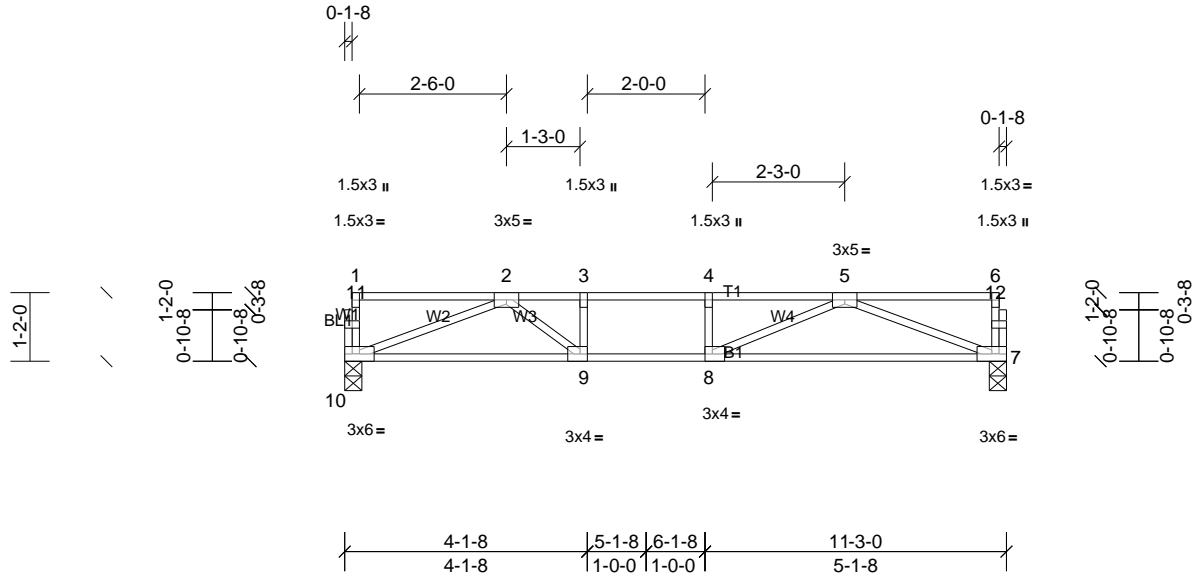
Job 72435959	Truss F204	Truss Type Truss	Qty 2	Ply 1	MUNGO HOMES - TELFAIR 2ND FLR Job Reference (optional)
-----------------	---------------	---------------------	----------	----------	---

UFP Mid Atlantic LLC, 5631 S. NC 62, Burlington, NC, Joy Perry

Run: 8.81 S Sep 13 2024 Print: 8.810 S Sep 13 2024 MiTek Industries, Inc. Mon Nov 18 08:16:54

Page: 1

ID:a?q6?71yTv6SHVH?OIZqv2z8gqv-n5MIP6cxB?yA6pb3u8IRiU5k08UYSlbNu7DqAwyI0et



Scale = 1:39.3

Plate Offsets (X, Y): [8:0-1-8,Edge], [9:0-1-8,Edge]

Loading	(psf)	Spacing	2-0-0	CSI	DEFL	in	(loc)	l/defl	L/d	PLATES	GRIP	
TCLL	40.0	Plate Grip DOL	1.00	TC	0.86	Vert(LL)	-0.15	7-8	>859	480	MT20	244/190
TCDL	30.0	Lumber DOL	1.00	BC	0.86	Vert(CT)	-0.29	7-8	>454	360		
BCLL	0.0	Rep Stress Incr	YES	WB	0.48	Horz(CT)	0.03	7	n/a	n/a		
BCDL	5.0	Code	IRC2015/TPI2014	Matrix-SH							Weight: 55 lb	FT = 20%F, 12%E

LUMBER		BRACING	
TOP CHORD	2x4 SP No.2(flat)	TOP CHORD	Structural wood sheathing directly applied or 5-6-0 oc purlins, except end verticals.
BOT CHORD	2x4 SP No.2(flat)	BOT CHORD	Rigid ceiling directly applied or 10-0-0 oc bracing.
WEBS	2x4 SP No.3(flat)		
OTHERS	2x4 SP No.3(flat)		

REACTIONS (lb/size) 7=816/0-3-8, (min. 0-1-8), 10=816/0-3-8, (min. 0-1-8)

FORCES (lb) - Max. Comp./Max. Ten. - All forces 250 (lb) or less except when shown.

TOP CHORD 2-3=-2128/0, 3-4=-2128/0, 4-5=-2128/0
 BOT CHORD 9-10=0/1647, 8-9=0/2128, 7-8=0/1639
 WEBS 3-9=-377/0, 2-10=-1762/0, 2-9=0/751, 5-7=-1754/0, 5-8=0/668

- NOTES**
- Unbalanced floor live loads have been considered for this design.
 - This truss is designed in accordance with the 2015 International Residential Code sections R502.11.1 and R802.10.2 and referenced standard ANSI/TPI 1.
 - Recommend 2x6 strongbacks, on edge, spaced at 10-00-00 oc and fastened to each truss with 3-10d (0.131" X 3") nails. Strongbacks to be attached to walls at their outer ends or restrained by other means.



This design is based upon parameters shown, and is for an individual building component to be installed and loaded vertically. Applicability of design parameters and proper incorporation of component is responsibility of the Building Designer. Building Designer shall verify all design information on this sheet for conformance with conditions and requirements of the specific building and governing codes and ordinances. Building Designer accepts responsibility for the correctness or accuracy of the design information as it may relate to a specific building. Certification is valid only when truss is fabricated by a UFPI plant. Bracing shown is for lateral support of truss members only and does not replace erection and permanent bracing. Refer to Building Component Safety Information (BCSI) for general guidance regarding storage, erection and bracing available from SBCA and Truss Plate Institute.



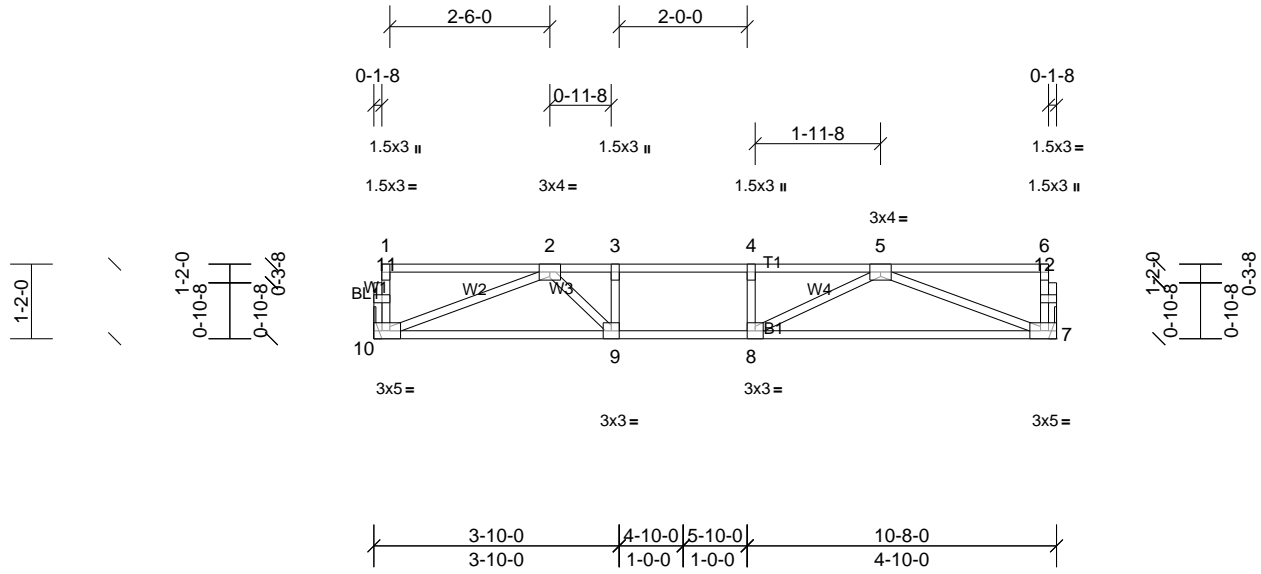
Job 72435959	Truss F205	Truss Type Truss	Qty 3	Ply 1	MUNGO HOMES - TELFAIR 2ND FLR Job Reference (optional)
-----------------	---------------	---------------------	----------	----------	---

UFP Mid Atlantic LLC, 5631 S. NC 62, Burlington, NC, Joy Perry

Run: 8.81 S Sep 13 2024 Print: 8.810 S Sep 13 2024 MiTek Industries, Inc. Mon Nov 18 08:16:54

Page: 1

ID:a?q6?71yTv6SHVH?OIzqv2z8qqv-n5MIP6cxB?yA6pb3u8IRiU5nN8YgSnyNu7DqAwyI0et



Scale = 1:36.2

Plate Offsets (X, Y): [7:0-2-0,Edge], [10:0-2-0,Edge]

Loading	(psf)	Spacing	2-0-0	CSI	DEFLL	in	(loc)	l/defl	L/d	PLATES	GRIP	
TCLL	40.0	Plate Grip DOL	1.00	TC	0.65	Vert(LL)	-0.12	7-8	>999	480	MT20	244/190
TCDL	10.0	Lumber DOL	1.00	BC	0.59	Vert(CT)	-0.19	7-8	>647	360		
BCLL	0.0	Rep Stress Incr	YES	WB	0.33	Horz(CT)	0.02	7	n/a	n/a		
BCDL	5.0	Code	IRC2015/TPI2014	Matrix-SH							Weight: 52 lb	FT = 20%F, 12%E

LUMBER	BRACING
TOP CHORD 2x4 SP No.2(flat)	TOP CHORD Structural wood sheathing directly applied or 6-0-0 oc purlins, except end verticals.
BOT CHORD 2x4 SP No.2(flat)	BOT CHORD Rigid ceiling directly applied or 10-0-0 oc bracing.
WEBS 2x4 SP No.3(flat)	
OTHERS 2x4 SP No.3(flat)	

REACTIONS (lb/size) 7=567/ Mechanical, (min. 0-1-8), 10=567/ Mechanical, (min. 0-1-8)

FORCES (lb) - Max. Comp./Max. Ten. - All forces 250 (lb) or less except when shown.

TOP CHORD 2-3=-1396/0, 3-4=-1396/0, 4-5=-1396/0

BOT CHORD 9-10=0/1129, 8-9=0/1396, 7-8=0/1112

WEBS 3-9=-308/0, 2-10=-1207/0, 2-9=0/534, 5-7=-1190/0, 5-8=0/458

- NOTES**
- 1) Unbalanced floor live loads have been considered for this design.
 - 2) This truss is designed in accordance with the 2015 International Residential Code sections R502.11.1 and R802.10.2 and referenced standard ANSI/TPI 1.
 - 3) Recommend 2x6 strongbacks, on edge, spaced at 10-00-00 oc and fastened to each truss with 3-10d (0.131" X 3") nails. Strongbacks to be attached to walls at their outer ends or restrained by other means.



This design is based upon parameters shown, and is for an individual building component to be installed and loaded vertically. Applicability of design parameters and proper incorporation of component is responsibility of the Building Designer. Building Designer shall verify all design information on this sheet for conformance with conditions and requirements of the specific building and governing codes and ordinances. Building Designer accepts responsibility for the correctness or accuracy of the design information as it may relate to a specific building. Certification is valid only when truss is fabricated by a UFPI plant. Bracing shown is for lateral support of truss members only and does not replace erection and permanent bracing. Refer to Building Component Safety Information (BCSI) for general guidance regarding storage, erection and bracing available from SBCA and Truss Plate Institute.



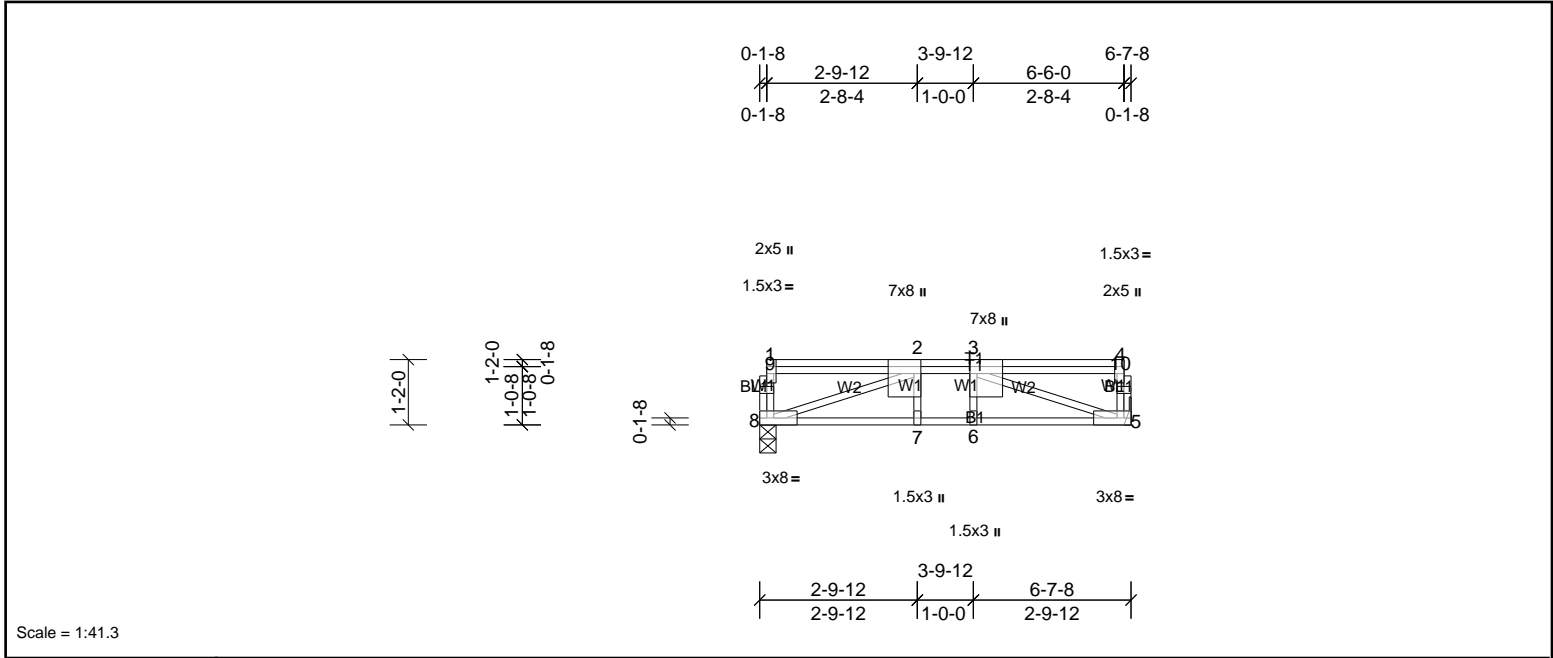
Job 72435959	Truss F206	Truss Type Truss	Qty 1	Ply 1	MUNGO HOMES - TELFAIR 2ND FLR Job Reference (optional)
-----------------	---------------	---------------------	----------	----------	---

UFPI Mid Atlantic LLC, 5631 S. NC 62, Burlington, NC, Joy Perry

Run: 8.81 S Sep 13 2024 Print: 8.810 S Sep 13 2024 MiTek Industries, Inc. Mon Nov 18 08:16:54

Page: 1

ID:a?q6?71yTv6SHVH?OIzQv2z8gqv-n5MIP6cxB7yA6pb3u8IRIU5n28UdSh8Nu7DqAwYI0et



Scale = 1:41.3

Plate Offsets (X, Y): [2:0-3-0,Edge], [3:0-3-0,Edge], [4:0-3-0,Edge]

Loading	(psf)	Spacing	2-0-0	CSI	DEFL	in	(loc)	l/defl	L/d	PLATES	GRIP	
TCLL	40.0	Plate Grip DOL	1.00	TC	0.67	Vert(LL)	-0.09	5-6	>865	480	MT20	244/190
TCDL	10.0	Lumber DOL	1.00	BC	0.85	Vert(CT)	-0.12	5-6	>623	360		
BCLL	0.0	Rep Stress Incr	YES	WB	0.77	Horz(CT)	0.02	5	n/a	n/a		
BCDL	5.0	Code	IRC2015/TPI2014	Matrix-SH							Weight: 44 lb	FT = 20%F, 12%E

LUMBER	BRACING
TOP CHORD 2x4 SP No.2(flat)	TOP CHORD Structural wood sheathing directly applied or 6-0-0 oc purlins, except end verticals.
BOT CHORD 2x4 SP No.1(flat)	BOT CHORD Rigid ceiling directly applied or 10-0-0 oc bracing.
WEBS 2x4 SP No.3(flat)	
OTHERS 2x4 SP No.3(flat)	

REACTIONS (lb/size) 5=1247/ Mechanical, (min. 0-1-8), 8=1002/0-3-8, (min. 0-1-8)

FORCES (lb) - Max. Comp./Max. Ten. - All forces 250 (lb) or less except when shown.

TOP CHORD 5-10=-254/0, 4-10=-253/0, 2-3=-2660/0
 BOT CHORD 7-8=0/2660, 6-7=0/2660, 5-6=0/2660
 WEBS 2-8=-2829/0, 3-5=-2815/0

- NOTES**
- 1) Unbalanced floor live loads have been considered for this design.
 - 2) This truss is designed in accordance with the 2015 International Residential Code sections R502.11.1 and R802.10.2 and referenced standard ANSI/TPI 1.
 - 3) Recommend 2x6 strongbacks, on edge, spaced at 10-00-00 oc and fastened to each truss with 3-10d (0.131" X 3") nails. Strongbacks to be attached to walls at their outer ends or restrained by other means.

LOAD CASE(S) Standard

- 1) Dead + Floor Live (balanced): Lumber Increase=1.00, Plate Increase=1.00
 Uniform Loads (lb/ft)
 Vert: 5-8=-10, 1-4=-100
 Concentrated Loads (lb)
 Vert: 3=-1560



This design is based upon parameters shown, and is for an individual building component to be installed and loaded vertically. Applicability of design parameters and proper incorporation of component is responsibility of the Building Designer. Building Designer shall verify all design information on this sheet for conformance with conditions and requirements of the specific building and governing codes and ordinances. Building Designer accepts responsibility for the correctness or accuracy of the design information as it may relate to a specific building. Certification is valid only when truss is fabricated by a UFPI plant. Bracing shown is for lateral support of truss members only and does not replace erection and permanent bracing. Refer to Building Component Safety Information (BCSI) for general guidance regarding storage, erection and bracing available from SBCA and Truss Plate Institute.



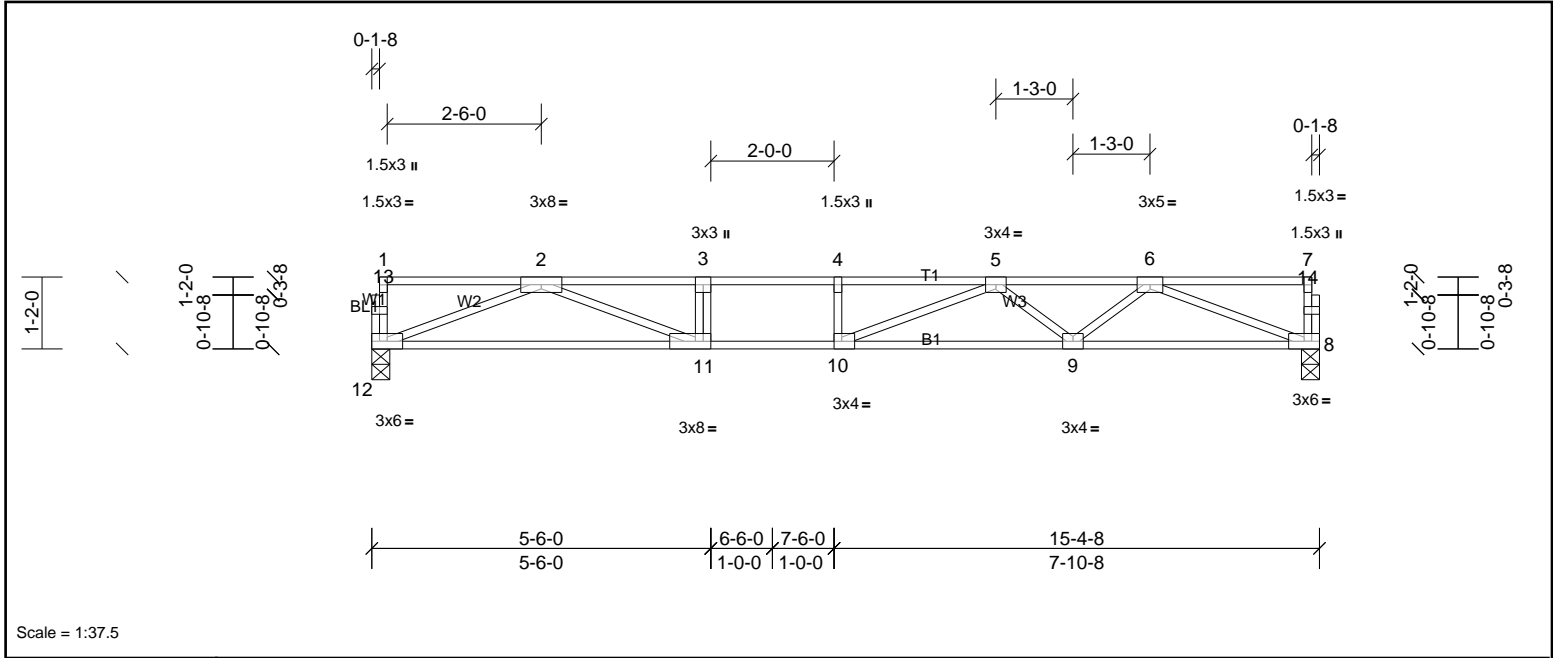
Job 72435959	Truss F207	Truss Type Truss	Qty 2	Ply 1	MUNGO HOMES - TELFAIR 2ND FLR Job Reference (optional)
-----------------	---------------	---------------------	----------	----------	---

UFP Mid Atlantic LLC, 5631 S. NC 62, Burlington, NC, Joy Perry

Run: 8.81 S Sep 13 2024 Print: 8.810 S Sep 13 2024 MiTek Industries, Inc. Mon Nov 18 08:16:55

Page: 1

ID:a?q6?71yTv6SHVH?OIZqv2z8gqv-GHW7cSdZyl41kz9GSsGgEidxKYtB9KW7nyNjMyl0es



Scale = 1:37.5

Plate Offsets (X, Y): [10:0-1-8,Edge], [11:0-3-0,Edge]

Loading	(psf)	Spacing	1-7-3	CSI	DEFL	in	(loc)	l/defl	L/d	PLATES	GRIP	
TCLL	40.0	Plate Grip DOL	1.00	TC	0.76	Vert(LL)	-0.26	9-10	>694	480	MT20	244/190
TCDL	30.0	Lumber DOL	1.00	BC	0.67	Vert(CT)	-0.45	9-10	>402	360		
BCLL	0.0	Rep Stress Incr	YES	WB	0.64	Horz(CT)	0.05	8	n/a	n/a		
BCDL	5.0	Code	IRC2015/TPI2014	Matrix-SH							Weight: 75 lb	FT = 20%F, 12%E

LUMBER		BRACING	
TOP CHORD	2x4 SP No.1(flat)	TOP CHORD	Structural wood sheathing directly applied or 5-6-0 oc purlins, except end verticals.
BOT CHORD	2x4 SP SS(flat)	BOT CHORD	Rigid ceiling directly applied or 10-0-0 oc bracing.
WEBS	2x4 SP No.3(flat)		
OTHERS	2x4 SP No.3(flat)		

REACTIONS	(lb/size)	8=900/0-3-8, (min. 0-1-8), 12=900/0-3-8, (min. 0-1-8)
FORCES	(lb) - Max. Comp./Max. Ten. - All forces 250 (lb) or less except when shown.	
TOP CHORD		2-3=-3169/0, 3-4=-3169/0, 4-5=-3169/0, 5-6=-2511/0
BOT CHORD		11-12=0/1944, 10-11=0/3169, 9-10=0/3000, 8-9=0/1947
WEBS		3-11=-378/0, 2-12=-2084/0, 2-11=0/1350, 6-8=-2087/0, 6-9=0/735, 5-9=-636/0, 5-10=-51/486

- NOTES**
- Unbalanced floor live loads have been considered for this design.
 - This truss is designed in accordance with the 2015 International Residential Code sections R502.11.1 and R802.10.2 and referenced standard ANSI/TPI 1.
 - Recommend 2x6 strongbacks, on edge, spaced at 10-00-00 oc and fastened to each truss with 3-10d (0.131" X 3") nails. Strongbacks to be attached to walls at their outer ends or restrained by other means.



This design is based upon parameters shown, and is for an individual building component to be installed and loaded vertically. Applicability of design parameters and proper incorporation of component is responsibility of the Building Designer. Building Designer shall verify all design information on this sheet for conformance with conditions and requirements of the specific building and governing codes and ordinances. Building Designer accepts responsibility for the correctness or accuracy of the design information as it may relate to a specific building. Certification is valid only when truss is fabricated by a UFPI plant. Bracing shown is for lateral support of truss members only and does not replace erection and permanent bracing. Refer to Building Component Safety Information (BCSI) for general guidance regarding storage, erection and bracing available from SBCA and Truss Plate Institute.



Job 72435959	Truss F208	Truss Type Truss	Qty 6	Ply 1	MUNGO HOMES - TELFAIR 2ND FLR Job Reference (optional)
-----------------	---------------	---------------------	----------	----------	---

UFP Mid Atlantic LLC, 5631 S. NC 62, Burlington, NC, Joy Perry

Run: 8.81 S Sep 13 2024 Print: 8.810 S Sep 13 2024 MiTek Industries, Inc. Mon Nov 18 08:16:55

Page: 1

ID:a?q6?71yTv6SHVH?OIzqv2z8gqv-GHw7cSdZyl41kz9GSsGgEiduyYqeBDNW7nyNjMyI0es

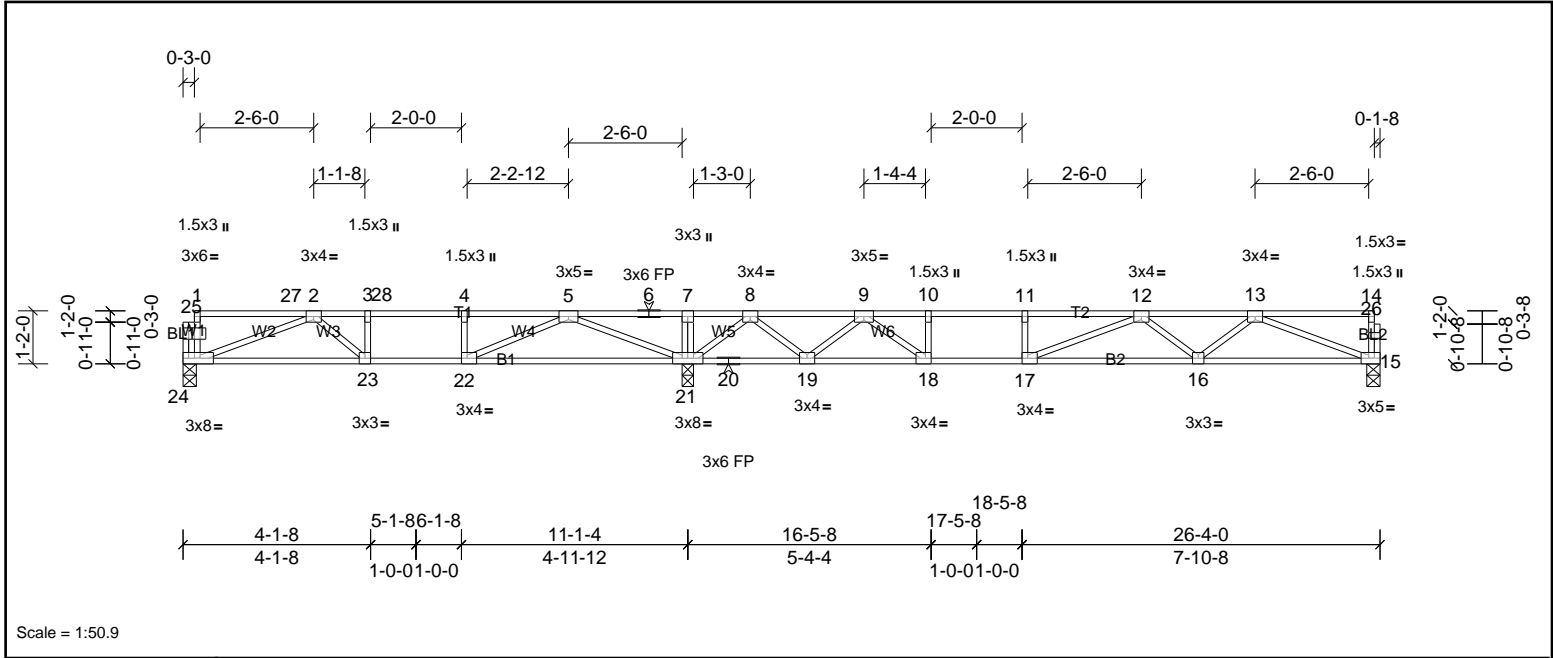


Plate Offsets (X, Y): [15:0-2-0,Edge], [17:0-1-8,Edge], [18:0-1-8,Edge], [22:0-1-8,Edge], [24:0-3-8,Edge]

Loading	(psf)	Spacing	1-7-3	CSI	DEFL	in	(loc)	l/defl	L/d	PLATES	GRIP	
TCLL	40.0	Plate Grip DOL	1.00	TC	0.91	Vert(LL)	-0.24	16-17	>768	480	MT20	244/190
TCDL	10.0	Lumber DOL	1.00	BC	0.86	Vert(CT)	-0.33	16-17	>555	360		
BCLL	0.0	Rep Stress Incr	NO	WB	0.45	Horz(CT)	0.04	15	n/a	n/a		
BCDL	5.0	Code	IRC2015/TPI2014	Matrix-SH							Weight: 128 lb	FT = 20%F, 12%E

LUMBER	BRACING
TOP CHORD 2x4 SP No.1(flat)	TOP CHORD Structural wood sheathing directly applied or 6-0-0 oc purlins, except end verticals.
BOT CHORD 2x4 SP No.1(flat)	BOT CHORD Rigid ceiling directly applied or 10-0-0 oc bracing, Except: 6-0-0 oc bracing: 19-21,18-19.
WEBS 2x4 SP No.3(flat)	
OTHERS 2x4 SP No.3(flat)	

REACTIONS (lb/size) 15=585/0-3-8, (min. 0-1-8), 21=1517/0-3-0, (min. 0-1-8), 24=575/0-3-8, (min. 0-1-8)
 Max Grav 15=608 (LC 14), 21=1517 (LC 1), 24=612 (LC 8)

FORCES (lb) - Max. Comp./Max. Ten. - All forces 250 (lb) or less except when shown.
 TOP CHORD 2-3=-1431/0, 3-28=-1431/0, 4-28=-1431/0, 4-5=-1431/0, 5-6=0/1095, 6-7=0/1095, 7-8=0/1087, 8-9=-708/218, 9-10=-1903/0, 10-11=-1903/0, 11-12=-1903/0, 12-13=-1657/0
 BOT CHORD 23-24=0/1241, 22-23=0/1431, 21-22=0/781, 20-21=-418/140, 19-20=-418/140, 18-19=-10/1309, 17-18=0/1903, 16-17=0/1945, 15-16=0/1295
 WEBS 4-22=-306/0, 10-18=-352/0, 2-24=-1315/0, 2-23=0/253, 5-21=-1635/0, 5-22=0/853, 8-21=-1081/0, 8-19=0/772, 9-19=-837/0, 9-18=0/878, 13-15=-1387/0, 13-16=0/471, 12-16=-376/0, 12-17=-270/142

- NOTES**
- Unbalanced floor live loads have been considered for this design.
 - All plates are 3x4 MT20 unless otherwise indicated.
 - This truss is designed in accordance with the 2015 International Residential Code sections R502.11.1 and R802.10.2 and referenced standard ANSI/TPI 1.
 - Load case(s) 1 has/have been modified. Building designer must review loads to verify that they are correct for the intended use of this truss.
 - Recommend 2x6 strongbacks, on edge, spaced at 10-00-00 oc and fastened to each truss with 3-10d (0.131" X 3") nails. Strongbacks to be attached to walls at their outer ends or restrained by other means.
 - CAUTION, Do not erect truss backwards.

LOAD CASE(S) Standard
 1) Dead + Floor Live (balanced): Lumber Increase=1.00, Plate Increase=1.00
 Uniform Loads (lb/ft)
 Vert: 15-24=-8, 1-27=-112, 27-28=-141, 7-28=-112, 7-14=-80



This design is based upon parameters shown, and is for an individual building component to be installed and loaded vertically. Applicability of design parameters and proper incorporation of component is responsibility of the Building Designer. Building Designer shall verify all design information on this sheet for conformance with conditions and requirements of the specific building and governing codes and ordinances. Building Designer accepts responsibility for the correctness or accuracy of the design information as it may relate to a specific building. Certification is valid only when truss is fabricated by a UFPI plant. Bracing shown is for lateral support of truss members only and does not replace erection and permanent bracing. Refer to Building Component Safety Information (BCSI) for general guidance regarding storage, erection and bracing available from SBCA and Truss Plate Institute.



Job 72435959	Truss F209	Truss Type Truss	Qty 5	Ply 1	MUNGO HOMES - TELFAIR 2ND FLR Job Reference (optional)
-----------------	---------------	---------------------	----------	----------	---

UFP Mid Atlantic LLC, 5631 S. NC 62, Burlington, NC, Joy Perry

Run: 8.81 S Sep 13 2024 Print: 8.810 S Sep 13 2024 MiTek Industries, Inc. Mon Nov 18 08:16:55

Page: 1

ID:a?q6?71yTv6SHVH?OlZqv2z8gqv-GHw7cSdZyI41kz9GSsGgEid2YtuB6sW7nyNjMyl0es

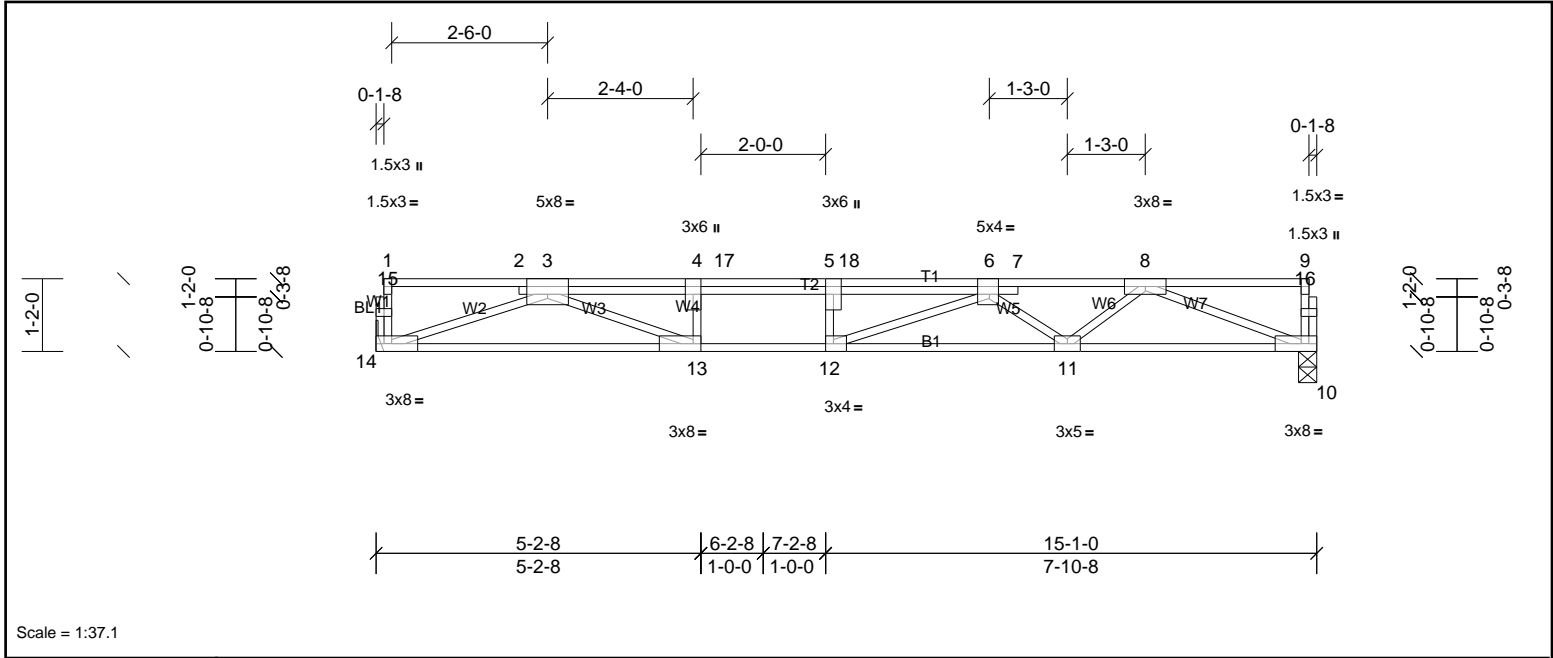


Plate Offsets (X, Y): [3:0-4-0,Edge], [5:0-3-0,Edge], [6:0-1-12,Edge], [12:0-1-8,Edge], [13:0-1-8,Edge]

Loading	(psf)	Spacing	2-0-0	CSI	DEFL	in	(loc)	l/defl	L/d	PLATES	GRIP	
TCLL	40.0	Plate Grip DOL	1.00	TC	0.97	Vert(LL)	-0.19	11-12	>925	480	MT20	244/190
TCDL	30.0	Lumber DOL	1.00	BC	0.66	Vert(CT)	-0.38	11-12	>464	360		
BCLL	0.0	Rep Stress Incr	NO	WB	0.86	Horz(CT)	0.06	10	n/a	n/a		
BCDL	5.0	Code	IRC2015/TPI2014	Matrix-SH							Weight: 84 lb	FT = 20%F, 12%E

LUMBER	BRACING
TOP CHORD 2x4 SP No.2(flat)	TOP CHORD Structural wood sheathing directly applied or 4-1-9 oc purlins, except end verticals.
BOT CHORD 2x4 SP SS(flat)	BOT CHORD Rigid ceiling directly applied or 10-0-0 oc bracing.
WEBS 2x4 SP No.3(flat)	
OTHERS 2x4 SP No.3(flat)	

REACTIONS (lb/size) 10=1135/0-3-8, (min. 0-1-8), 14=1144/ Mechanical, (min. 0-1-8)

FORCES (lb) - Max. Comp./Max. Ten. - All forces 250 (lb) or less except when shown.
 TOP CHORD 3-4=-4248/0, 4-17=-4248/0, 5-17=-4248/0, 5-18=-4248/0, 6-18=-4248/0, 6-7=-3187/0, 7-8=-3188/0
 BOT CHORD 13-14=0/2649, 12-13=0/4248, 11-12=0/3909, 10-11=0/2439
 WEBS 4-13=-584/0, 3-14=-2818/0, 3-13=0/1816, 8-10=-2614/0, 8-11=0/975, 6-11=-917/0, 6-12=0/710

- NOTES
- Unbalanced floor live loads have been considered for this design.
 - This truss is designed in accordance with the 2015 International Residential Code sections R502.11.1 and R802.10.2 and referenced standard ANSI/TPI 1.
 - Load case(s) 1 has/have been modified. Building designer must review loads to verify that they are correct for the intended use of this truss.
 - Recommend 2x6 strongbacks, on edge, spaced at 10-00-00 oc and fastened to each truss with 3-10d (0.131" X 3") nails. Strongbacks to be attached to walls at their outer ends or restrained by other means.

LOAD CASE(S) Standard
 1) Dead + Floor Live (balanced): Lumber Increase=1.00, Plate Increase=1.00
 Uniform Loads (lb/ft)
 Vert: 10-14=-10, 1-17=-140, 17-18=-176, 9-18=-140



This design is based upon parameters shown, and is for an individual building component to be installed and loaded vertically. Applicability of design parameters and proper incorporation of component is responsibility of the Building Designer. Building Designer shall verify all design information on this sheet for conformance with conditions and requirements of the specific building and governing codes and ordinances. Building Designer accepts responsibility for the correctness or accuracy of the design information as it may relate to a specific building. Certification is valid only when truss is fabricated by a UFPI plant. Bracing shown is for lateral support of truss members only and does not replace erection and permanent bracing. Refer to Building Component Safety Information (BCSI) for general guidance regarding storage, erection and bracing available from SBCA and Truss Plate Institute.



Job 72435959	Truss F210	Truss Type Truss	Qty 2	Ply 1	MUNGO HOMES - TELFAIR 2ND FLR Job Reference (optional)
-----------------	---------------	---------------------	----------	----------	---

UFP Mid Atlantic LLC, 5631 S. NC 62, Burlington, NC, Joy Perry

Run: 8.81 S Sep 13 2024 Print: 8.810 S Sep 13 2024 MiTek Industries, Inc. Mon Nov 18 08:16:55

Page: 1

ID:a?q6?71yTv6SHVH?OlZqv2z8gqv-GHw7cSdZyl41kz9GSsGgEidwFYpEBAVW7nyNjMyl0es

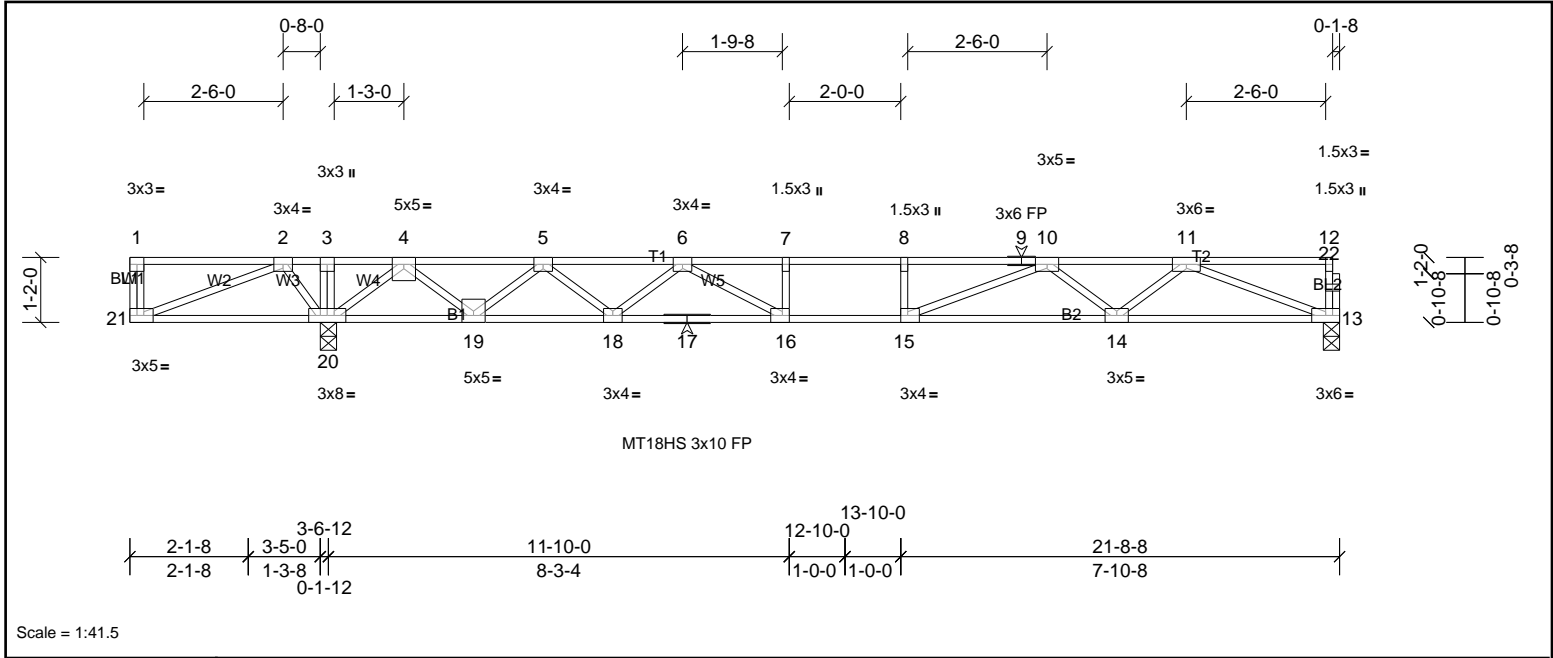


Plate Offsets (X, Y): [15:0-1-8,Edge], [16:0-1-8,Edge], [21:0-2-0,Edge]

Loading	(psf)	Spacing	2-0-0	CSI	DEFLL	in	(loc)	l/defl	L/d	PLATES	GRIP	
TCLL	40.0	Plate Grip DOL	1.00	TC	0.83	Vert(LL)	-0.35	15-16	>621	480	MT18HS	244/190
TCDL	10.0	Lumber DOL	1.00	BC	0.95	Vert(CT)	-0.46	15-16	>467	360	MT20	244/190
BCLL	0.0	Rep Stress Incr	YES	WB	0.63	Horz(CT)	0.07	13	n/a	n/a		
BCDL	5.0	Code	IRC2015/TPI2014	Matrix-SH								
											Weight: 108 lb	FT = 20%F, 12%E

LUMBER	BRACING
TOP CHORD	TOP CHORD
BOT CHORD	BOT CHORD
WEBS	
OTHERS	

REACTIONS (lb/size) 13=949/0-3-8, (min. 0-1-8), 20=1405/0-3-8, (min. 0-1-8)
Max Grav 13=975 (LC 4), 20=1405 (LC 1)

FORCES (lb) - Max. Comp./Max. Ten. - All forces 250 (lb) or less except when shown.
TOP CHORD 2-3=0/612, 3-4=0/611, 4-5=-1942/0, 5-6=-3330/0, 6-7=-4164/0, 7-8=-4164/0, 8-9=-4164/0, 9-10=-4164/0, 10-11=-2838/0
BOT CHORD 20-21=-298/0, 19-20=-239/1071, 18-19=0/2794, 17-18=0/3825, 16-17=0/3825, 15-16=0/4164, 14-15=0/3474, 13-14=0/2152
WEBS 7-16=-278/0, 8-15=-256/0, 2-21=0/320, 2-20=-514/0, 4-20=-1585/0, 4-19=0/1175, 5-19=-1146/0, 5-18=0/732, 6-18=-692/0, 6-16=-50/851, 11-13=-2309/0, 11-14=0/893, 10-14=-828/0, 10-15=0/1001

- NOTES
- 1) Unbalanced floor live loads have been considered for this design.
 - 2) All plates are MT20 plates unless otherwise indicated.
 - 3) This truss is designed in accordance with the 2015 International Residential Code sections R502.11.1 and R802.10.2 and referenced standard ANSI/TPI 1.
 - 4) Recommend 2x6 strongbacks, on edge, spaced at 10-00-00 oc and fastened to each truss with 3-10d (0.131" X 3") nails. Strongbacks to be attached to walls at their outer ends or restrained by other means.
 - 5) CAUTION, Do not erect truss backwards.



This design is based upon parameters shown, and is for an individual building component to be installed and loaded vertically. Applicability of design parameters and proper incorporation of component is responsibility of the Building Designer. Building Designer shall verify all design information on this sheet for conformance with conditions and requirements of the specific building and governing codes and ordinances. Building Designer accepts responsibility for the correctness or accuracy of the design information as it may relate to a specific building. Certification is valid only when truss is fabricated by a UFPI plant. Bracing shown is for lateral support of truss members only and does not replace erection and permanent bracing. Refer to Building Component Safety Information (BCSI) for general guidance regarding storage, erection and bracing available from SBCA and Truss Plate Institute.



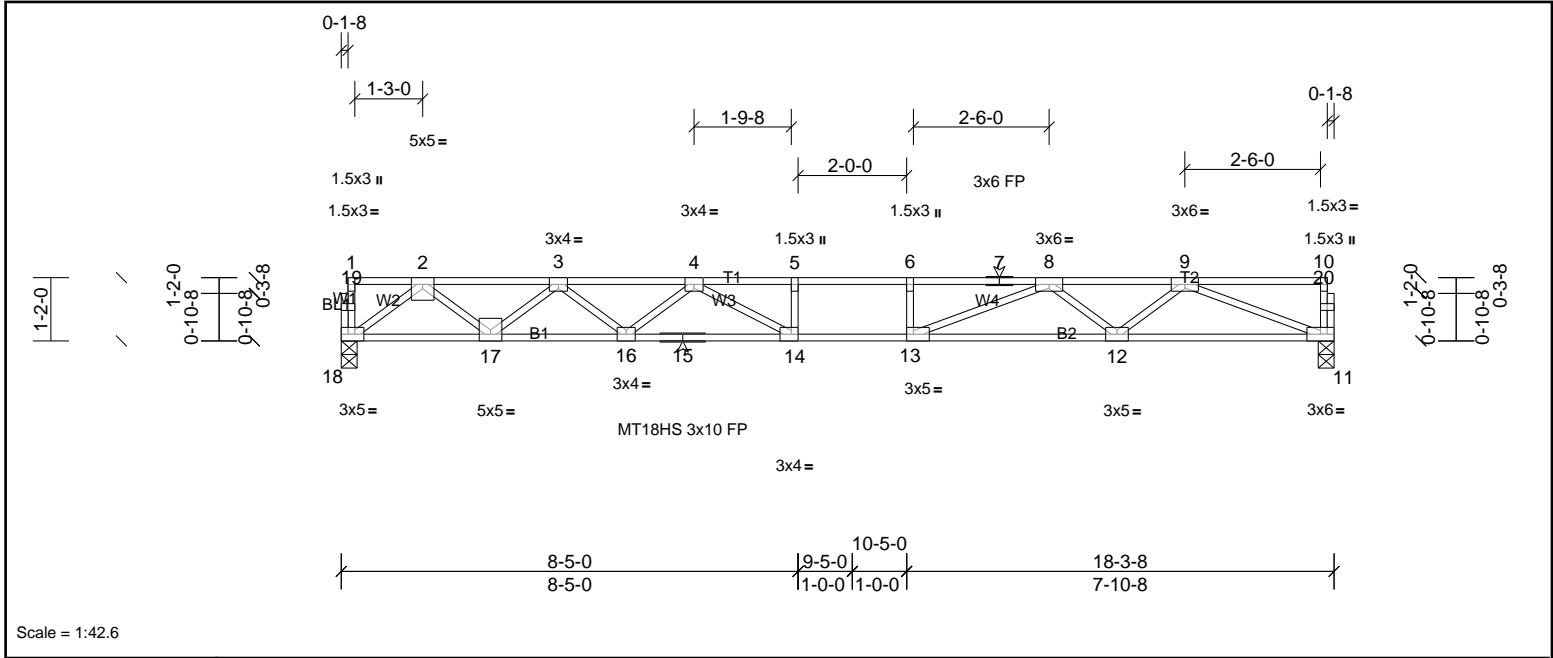
Job 72435959	Truss F211	Truss Type Truss	Qty 3	Ply 1	MUNGO HOMES - TELFAIR 2ND FLR Job Reference (optional)
-----------------	---------------	---------------------	----------	----------	---

UFP Mid Atlantic LLC, 5631 S. NC 62, Burlington, NC, Joy Perry

Run: 8.81 S Sep 13 2024 Print: 8.810 S Sep 13 2024 MiTek Industries, Inc. Mon Nov 18 08:16:55

Page: 1

ID:a?q6?71yTv6SHVH?OIZqv2z8gqv-GHW7cSdZyl41kz9GSsGgEidvCYs2B9zW7nyNjMyl0es



Scale = 1:42.6

Plate Offsets (X, Y):	[13:0-1-8,Edge], [14:0-1-8,Edge], [18:0-2-0,Edge]											
Loading	(psf)	Spacing	2-1-0	CSI		DEFL	in	(loc)	l/defl	L/d	PLATES	GRIP
TCLL	40.0	Plate Grip DOL	1.00	TC	0.83	Vert(LL)	-0.32	13-14	>667	480	MT18HS	244/190
TCDL	10.0	Lumber DOL	1.00	BC	0.71	Vert(CT)	-0.45	14	>485	360	MT20	244/190
BCLL	0.0	Rep Stress Incr	NO	WB	0.67	Horz(CT)	0.07	11	n/a	n/a		
BCDL	5.0	Code	IRC2015/TPI2014	Matrix-SH							Weight: 89 lb	FT = 20%F, 12%E

LUMBER		BRACING	
TOP CHORD	2x4 SP No.1(flat)	TOP CHORD	2-0-0 oc purlins (5-9-13 max.); 1-10 (Switched from sheeted: Spacing > 2-0-0).
BOT CHORD	2x4 SP SS(flat)	BOT CHORD	Rigid ceiling directly applied or 10-0-0 oc bracing.
WEBS	2x4 SP No.3(flat)		
OTHERS	2x4 SP No.3(flat)		

REACTIONS	(lb/size)	11=1027/0-3-8, (min. 0-1-8), 18=1027/0-3-8, (min. 0-1-8)
FORCES	(lb) - Max. Comp./Max. Ten. - All forces 250 (lb) or less except when shown.	
TOP CHORD		2-3=-2189/0, 3-4=-3605/0, 4-5=-4428/0, 5-6=-4428/0, 6-7=-4428/0, 7-8=-4428/0, 8-9=-2995/0
BOT CHORD		17-18=0/1287, 16-17=0/3061, 15-16=0/4107, 14-15=0/4107, 13-14=0/4428, 12-13=0/3672, 11-12=0/2268
WEBS		5-14=-254/0, 6-13=-276/0, 2-18=-1611/0, 2-17=0/1175, 3-17=-1135/0, 3-16=0/709, 4-16=-653/0, 4-14=-88/763, 9-11=-2433/0, 9-12=0/946, 8-12=-881/0, 8-13=0/1083

- NOTES**
- 1) Unbalanced floor live loads have been considered for this design.
 - 2) All plates are MT20 plates unless otherwise indicated.
 - 3) This truss is designed in accordance with the 2015 International Residential Code sections R502.11.1 and R802.10.2 and referenced standard ANSI/TPI 1.
 - 4) Graphical purlin representation does not depict the size or the orientation of the purlin along the top and/or bottom chord.
 - 5) Recommend 2x6 strongbacks, on edge, spaced at 10-00-00 oc and fastened to each truss with 3-10d (0.131" X 3") nails. Strongbacks to be attached to walls at their outer ends or restrained by other means.



This design is based upon parameters shown, and is for an individual building component to be installed and loaded vertically. Applicability of design parameters and proper incorporation of component is responsibility of the Building Designer. Building Designer shall verify all design information on this sheet for conformance with conditions and requirements of the specific building and governing codes and ordinances. Building Designer accepts responsibility for the correctness or accuracy of the design information as it may relate to a specific building. Certification is valid only when truss is fabricated by a UFPI plant. Bracing shown is for lateral support of truss members only and does not replace erection and permanent bracing. Refer to Building Component Safety Information (BCSI) for general guidance regarding storage, erection and bracing available from SBCA and Truss Plate Institute.



Job 72435959	Truss F212	Truss Type Truss	Qty 3	Ply 1	MUNGO HOMES - TELFAIR 2ND FLR Job Reference (optional)
-----------------	---------------	---------------------	----------	----------	---

UFP Mid Atlantic LLC, 5631 S. NC 62, Burlington, NC, Joy Perry

Run: 8.81 S Sep 13 2024 Print: 8.810 S Sep 13 2024 MiTek Industries, Inc. Mon Nov 18 08:16:56

Page: 1

ID:a?q6?71yTv6SHVH?OIZqv2z8gqv-kTUVqneBjcCuL6kS?ZnvnvA5ax8kwcDFMRixFoyl0er

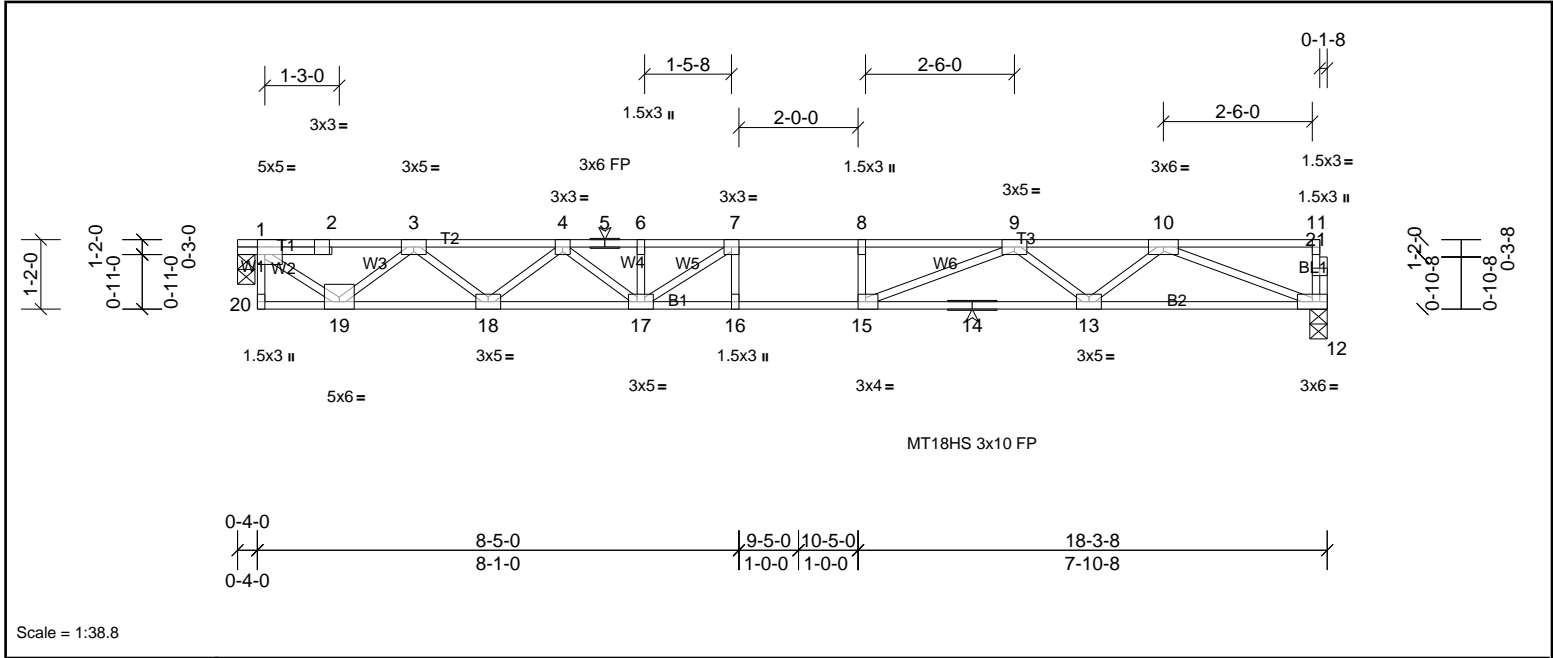


Plate Offsets (X, Y): [1:0-1-8,Edge], [15:0-1-8,Edge]

Loading	(psf)	Spacing	2-0-0	CSI	DEFL	in	(loc)	l/defl	L/d	PLATES	GRIP	
TCLL	40.0	Plate Grip DOL	1.00	TC	0.79	Vert(LL)	-0.32	15-16	>659	480	MT20	244/190
TCDL	10.0	Lumber DOL	1.00	BC	1.00	Vert(CT)	-0.44	15-16	>479	360	MT18HS	244/190
BCLL	0.0	Rep Stress Incr	YES	WB	0.66	Horz(CT)	0.02	12	n/a	n/a		
BCDL	5.0	Code	IRC2015/TPI2014	Matrix-SH							Weight: 90 lb	FT = 20%F, 12%E

LUMBER		BRACING	
TOP CHORD	2x4 SP No.2(flat)	TOP CHORD	Structural wood sheathing directly applied or 4-8-2 oc purlins, except end verticals.
BOT CHORD	2x4 SP No.1(flat)	BOT CHORD	Rigid ceiling directly applied or 10-0-0 oc bracing, Except:
WEBS	2x4 SP No.3(flat)		2-2-0 oc bracing: 16-17
OTHERS	2x4 SP No.3(flat)		1-4-12 oc bracing: 15-16.

REACTIONS	(lb/size)	1=977/0-3-8, (min. 0-1-8), 12=971/0-3-8, (min. 0-1-8)
FORCES	(lb) - Max. Comp./Max. Ten. - All forces 250 (lb) or less except when shown.	
TOP CHORD		1-2=-1123/0, 2-3=-1119/0, 3-4=-2770/0, 4-5=-3829/0, 5-6=-3829/0, 6-7=-3829/0, 7-8=-4128/0, 8-9=-4128/0, 9-10=-2823/0
BOT CHORD		18-19=0/2095, 17-18=0/3415, 16-17=0/4128, 15-16=0/4128, 14-15=0/3453, 13-14=0/3453, 12-13=0/2142
WEBS		1-19=0/1396, 3-19=-1271/0, 3-18=0/879, 4-18=-839/0, 4-17=0/529, 7-17=-752/124, 10-12=-2297/0, 10-13=0/887, 9-13=-821/0, 9-15=0/978

- NOTES**
- 1) Unbalanced floor live loads have been considered for this design.
 - 2) All plates are MT20 plates unless otherwise indicated.
 - 3) This truss is designed in accordance with the 2015 International Residential Code sections R502.11.1 and R802.10.2 and referenced standard ANSI/TPI 1.
 - 4) Recommend 2x6 strongbacks, on edge, spaced at 10-00-00 oc and fastened to each truss with 3-10d (0.131" X 3") nails. Strongbacks to be attached to walls at their outer ends or restrained by other means.
 - 5) Gap between inside of top chord bearing and first diagonal or vertical web shall not exceed 0.500in.
 - 6) CAUTION, Do not erect truss backyards.



This design is based upon parameters shown, and is for an individual building component to be installed and loaded vertically. Applicability of design parameters and proper incorporation of component is responsibility of the Building Designer. Building Designer shall verify all design information on this sheet for conformance with conditions and requirements of the specific building and governing codes and ordinances. Building Designer accepts responsibility for the correctness or accuracy of the design information as it may relate to a specific building. Certification is valid only when truss is fabricated by a UFPI plant. Bracing shown is for lateral support of truss members only and does not replace erection and permanent bracing. Refer to Building Component Safety Information (BCSI) for general guidance regarding storage, erection and bracing available from SBCA and Truss Plate Institute.



Job 72435959	Truss F213	Truss Type Truss	Qty 2	Ply 1	MUNGO HOMES - TELFAIR 2ND FLR Job Reference (optional)
-----------------	---------------	---------------------	----------	----------	---

UFP Mid Atlantic LLC, 5631 S. NC 62, Burlington, NC, Joy Perry

Run: 8.81 S Sep 13 2024 Print: 8.810 S Sep 13 2024 MiTek Industries, Inc. Mon Nov 18 08:16:56

Page: 1

ID:Tzyozj?SbaaOv3PhrRjT3yJGb2-kTUVqneBjcCuL6kS?ZnvnvACxxJkwI8fMRixFoyl0er

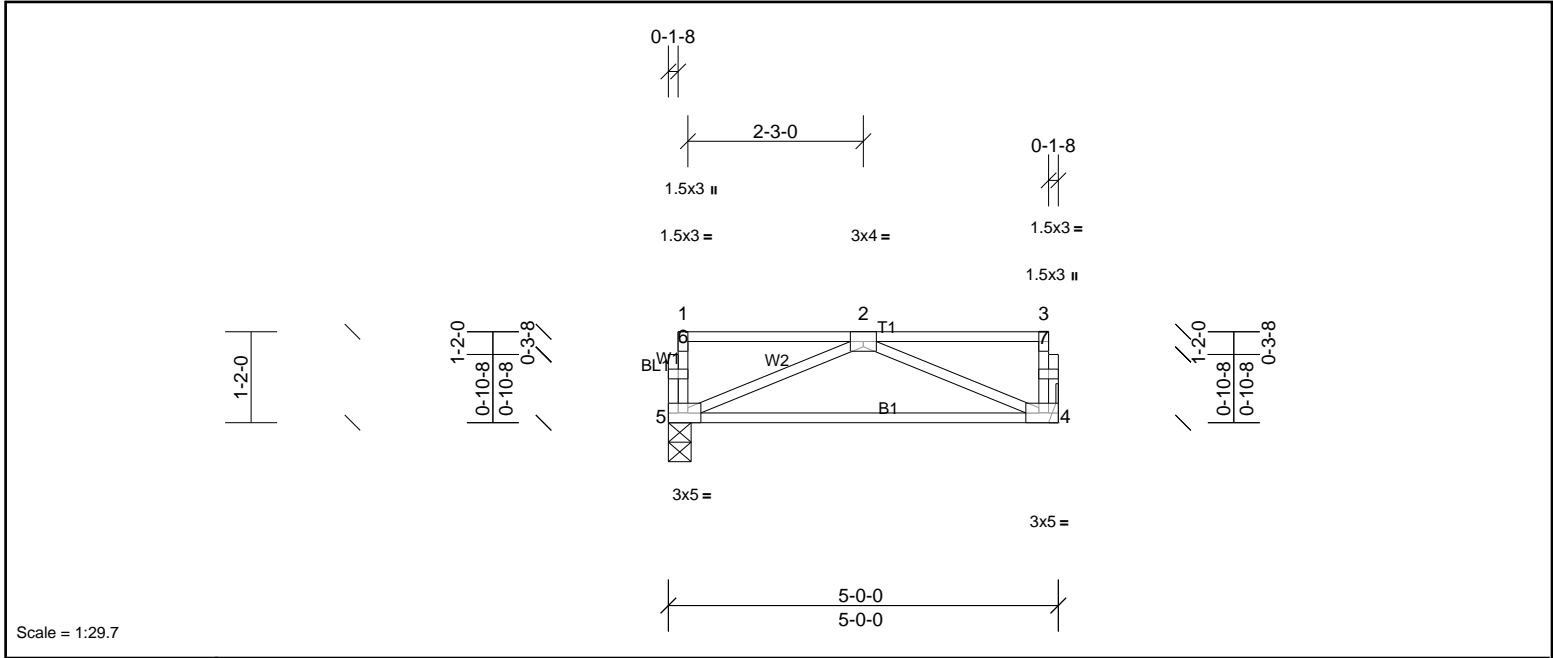


Plate Offsets (X, Y): [4:0-2-0,Edge], [5:0-2-0,Edge]

Loading	(psf)	Spacing	2-0-0	CSI	DEFL	in	(loc)	l/defl	L/d	PLATES	GRIP	
TCLL	40.0	Plate Grip DOL	1.00	TC	0.32	Vert(LL)	n/a	-	n/a	999	MT20	244/190
TCDL	10.0	Lumber DOL	1.00	BC	0.30	Vert(CT)	-0.08	4-5	>686	360		
BCLL	0.0	Rep Stress Incr	YES	WB	0.09	Horz(CT)	0.00	4	n/a	n/a		
BCDL	5.0	Code	IRC2015/TPI2014	Matrix-SH							Weight: 27 lb	FT = 20%F, 12%E

LUMBER		BRACING	
TOP CHORD	2x4 SP No.2(flat)	TOP CHORD	Structural wood sheathing directly applied or 5-0-0 oc purlins, except end verticals.
BOT CHORD	2x4 SP No.2(flat)	BOT CHORD	Rigid ceiling directly applied or 10-0-0 oc bracing.
WEBS	2x4 SP No.3(flat)		
OTHERS	2x4 SP No.3(flat)		

REACTIONS	(lb/size)	4=255/ Mechanical, (min. 0-1-8), 5=255/0-3-8, (min. 0-1-8)
FORCES	(lb) - Max. Comp./Max. Ten. - All forces 250 (lb) or less except when shown.	
BOT CHORD	4-5=0/332	
WEBS	2-5=-357/0, 2-4=-357/0	

- NOTES**
- This truss is designed in accordance with the 2015 International Residential Code sections R502.11.1 and R802.10.2 and referenced standard ANSI/TPI 1.
 - Recommend 2x6 strongbacks, on edge, spaced at 10-00-00 oc and fastened to each truss with 3-10d (0.131" X 3") nails. Strongbacks to be attached to walls at their outer ends or restrained by other means.



This design is based upon parameters shown, and is for an individual building component to be installed and loaded vertically. Applicability of design parameters and proper incorporation of component is responsibility of the Building Designer. Building Designer shall verify all design information on this sheet for conformance with conditions and requirements of the specific building and governing codes and ordinances. Building Designer accepts responsibility for the correctness or accuracy of the design information as it may relate to a specific building. Certification is valid only when truss is fabricated by a UFPI plant. Bracing shown is for lateral support of truss members only and does not replace erection and permanent bracing. Refer to Building Component Safety Information (BCSI) for general guidance regarding storage, erection and bracing available from SBCA and Truss Plate Institute.



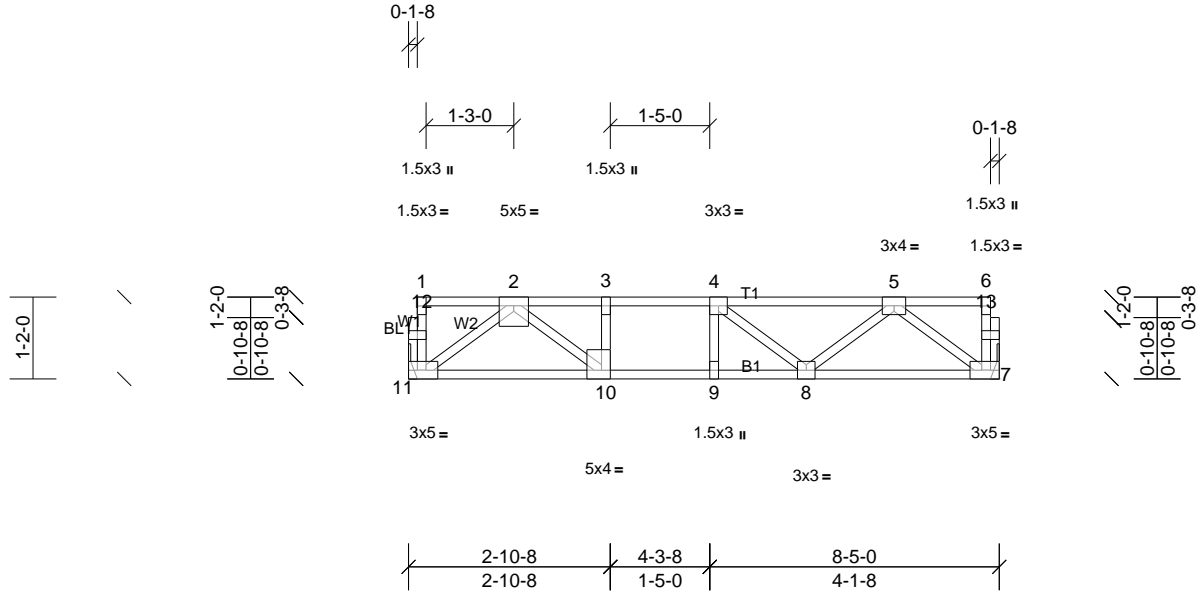
Job 72435959	Truss F214	Truss Type Truss	Qty 3	Ply 1	MUNGO HOMES - TELFAIR 2ND FLR Job Reference (optional)
-----------------	---------------	---------------------	----------	----------	---

UFP Mid Atlantic LLC, 5631 S. NC 62, Burlington, NC, Joy Perry

Run: 8.81 S Sep 13 2024 Print: 8.810 S Sep 13 2024 MiTek Industries, Inc. Mon Nov 18 08:16:56

Page: 1

ID:22eXVdwFJYVtLYgmHyG4vWyJGcQ-kTUVqneBjcCuL6kS?ZnvnvA5?x8?weXfMRixFoyI0er



Scale = 1:33

Plate Offsets (X, Y): [7:0-2-0,Edge], [10:0-1-8,Edge], [11:0-2-0,Edge]

Loading	(psf)	Spacing	2-0-0	CSI	DEFLL	in	(loc)	l/defl	L/d	PLATES	GRIP	
TCLL	40.0	Plate Grip DOL	1.00	TC	0.83	Vert(LL)	-0.07	8-9	>999	480	MT20	244/190
TCDL	10.0	Lumber DOL	1.00	BC	0.98	Vert(CT)	-0.13	8-9	>781	360		
BCLL	0.0	Rep Stress Incr		NO	WB	0.52	Horz(CT)	0.02	7	n/a	n/a	
BCDL	5.0	Code	IRC2015/TPI2014	Matrix-SH								Weight: 44 lb FT = 20%F, 12%E

LUMBER		BRACING	
TOP CHORD	2x4 SP No.1(flat)	TOP CHORD	Structural wood sheathing directly applied or 6-0-0 oc purlins, except end verticals.
BOT CHORD	2x4 SP No.1(flat)	BOT CHORD	Rigid ceiling directly applied or 10-0-0 oc bracing.
WEBS	2x4 SP No.3(flat)		
OTHERS	2x4 SP No.3(flat)		

REACTIONS (lb/size) 7=1086/ Mechanical, (min. 0-1-8), 11=1086/ Mechanical, (min. 0-1-8)

FORCES (lb) - Max. Comp./Max. Ten. - All forces 250 (lb) or less except when shown.

TOP CHORD 2-3=-2088/0, 3-4=-2088/0, 4-5=-1780/0

BOT CHORD 10-11=0/1254, 9-10=0/2088, 8-9=0/2088, 7-8=0/1344

WEBS 5-7=-1681/0, 2-11=-1562/0, 5-8=0/568, 2-10=0/1084, 4-8=-446/0, 3-10=-502/0

- NOTES**
- Unbalanced floor live loads have been considered for this design.
 - This truss is designed in accordance with the 2015 International Residential Code sections R502.11.1 and R802.10.2 and referenced standard ANSI/TPI 1.
 - Load case(s) 1 has/have been modified. Building designer must review loads to verify that they are correct for the intended use of this truss.
 - Magnitude of user added load(s) on this truss have been applied uniformly across all gravity load cases with no adjustments.
 - Recommend 2x6 strongbacks, on edge, spaced at 10-00-00 oc and fastened to each truss with 3-10d (0.131" X 3") nails. Strongbacks to be attached to walls at their outer ends or restrained by other means.

- LOAD CASE(S)** Standard
- Dead + Floor Live (balanced): Lumber Increase=1.00, Plate Increase=1.00
Uniform Loads (lb/ft)
Vert: 7-11=-10, 1-6=-260



This design is based upon parameters shown, and is for an individual building component to be installed and loaded vertically. Applicability of design parameters and proper incorporation of component is responsibility of the Building Designer. Building Designer shall verify all design information on this sheet for conformance with conditions and requirements of the specific building and governing codes and ordinances. Building Designer accepts responsibility for the correctness or accuracy of the design information as it may relate to a specific building. Certification is valid only when truss is fabricated by a UFPI plant. Bracing shown is for lateral support of truss members only and does not replace erection and permanent bracing. Refer to Building Component Safety Information (BCSI) for general guidance regarding storage, erection and bracing available from SBCA and Truss Plate Institute.



Job 72435959	Truss FG1	Truss Type Truss	Qty 1	Ply 1	MUNGO HOMES - TELFAIR 2ND FLR Job Reference (optional)
-----------------	--------------	---------------------	----------	----------	---

UFP Mid Atlantic LLC, 5631 S. NC 62, Burlington, NC, Joy Perry

Run: 8.81 S Sep 13 2024 Print: 8.810 S Sep 13 2024 MiTek Industries, Inc. Mon Nov 18 08:16:56

Page: 1

ID:a?q6?71yTv6SHVH?OIzQv2z8gqv-KTUVqneBjcCuL6kS?ZnvnvAAexBDwcvfMRixFoyl0er

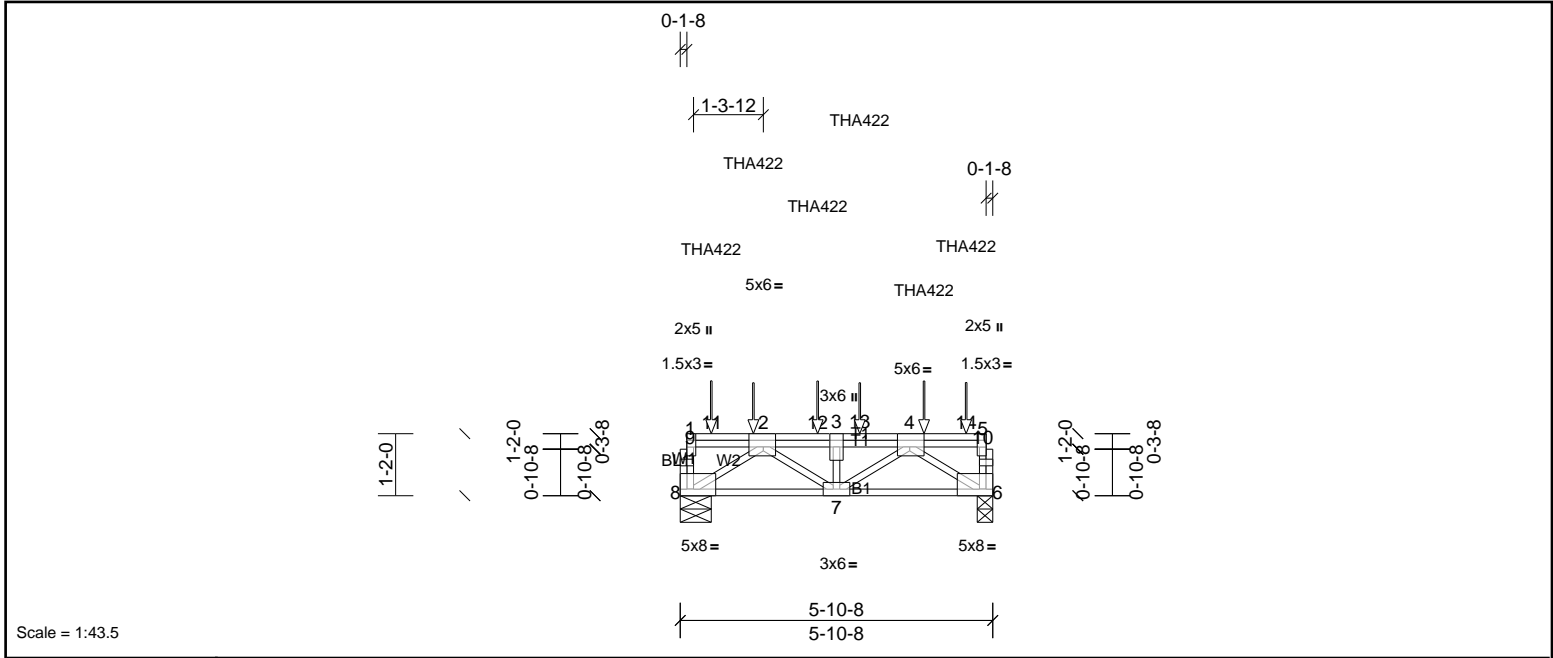


Plate Offsets (X, Y): [2:0-2-12,Edge], [4:0-2-12,Edge], [5:0-3-0,Edge], [6:Edge,0-1-8], [8:Edge,0-1-8]

Loading	(psf)	Spacing	2-0-0	CSI	DEFL	in	(loc)	l/defl	L/d	PLATES	GRIP	
TCLL	40.0	Plate Grip DOL	1.00	TC	0.47	Vert(LL)	-0.03	7	>999	480	MT20	244/190
TCDL	10.0	Lumber DOL	1.00	BC	0.78	Vert(CT)	-0.05	7	>999	360		
BCLL	0.0	Rep Stress Incr	NO	WB	0.68	Horz(CT)	0.02	6	n/a	n/a		
BCDL	5.0	Code	IRC2015/TPI2014	Matrix-SH							Weight: 40 lb	FT = 20%F, 12%E

LUMBER		BRACING	
TOP CHORD	2x4 SP No.2(flat)	TOP CHORD	Structural wood sheathing directly applied or 5-10-8 oc purlins, except end verticals.
BOT CHORD	2x4 SP No.2(flat)	BOT CHORD	Rigid ceiling directly applied or 10-0-0 oc bracing.
WEBS	2x4 SP No.3(flat)		
OTHERS	2x4 SP No.3(flat)		

REACTIONS	(lb/size)	6=2099/0-3-8, (min. 0-1-8), 8=2197/0-7-0, (min. 0-1-8)
FORCES	(lb) - Max. Comp./Max. Ten. - All forces 250 (lb) or less except when shown.	
TOP CHORD		8-9=-573/0, 1-9=-572/0, 6-10=-447/0, 5-10=-446/0, 2-12=-3179/0, 3-12=-3179/0, 3-13=-3179/0, 4-13=-3179/0
BOT CHORD		7-8=0/2399, 6-7=0/2431
WEBS		2-8=-2859/0, 3-7=-1063/0, 2-7=0/957, 4-6=-2907/0, 4-7=0/918

- NOTES**
- This truss is designed in accordance with the 2015 International Residential Code sections R502.11.1 and R802.10.2 and referenced standard ANSI/TPI 1.
 - Recommend 2x6 strongbacks, on edge, spaced at 10-00-00 oc and fastened to each truss with 3-10d (0.131" X 3") nails. Strongbacks to be attached to walls at their outer ends or restrained by other means.
 - Use Simpson Strong-Tie THA422 (6-16d Girder, 6-10d Truss) or equivalent spaced at 2-0-0 oc max. starting at 0-7-0 from the left end to 4-7-0 to connect truss(es) to front face of top chord.
 - Use Simpson Strong-Tie THA422 (6-16d Girder, 6-10d Truss) or equivalent at 1-4-8 from the left end to connect truss(es) to back face of top chord.
 - Use Simpson Strong-Tie THA422 (6-16d Girder, 6-10d Truss) or equivalent spaced at 2-0-0 oc max. starting at 3-4-8 from the left end to 5-4-8 to connect truss(es) to back face of top chord.
 - Fill all nail holes where hanger is in contact with lumber.
 - In the LOAD CASE(S) section, loads applied to the face of the truss are noted as front (F) or back (B).
- LOAD CASE(S)** Standard
- Dead + Floor Live (balanced): Lumber Increase=1.00, Plate Increase=1.00
Uniform Loads (lb/ft)
Vert: 6-8=-10, 1-5=-100
Concentrated Loads (lb)
Vert: 2=-467 (B), 4=-742 (F), 11=-772 (F), 12=-742 (F), 13=-467 (B), 14=-501 (B)



This design is based upon parameters shown, and is for an individual building component to be installed and loaded vertically. Applicability of design parameters and proper incorporation of component is responsibility of the Building Designer. Building Designer shall verify all design information on this sheet for conformance with conditions and requirements of the specific building and governing codes and ordinances. Building Designer accepts responsibility for the correctness or accuracy of the design information as it may relate to a specific building. Certification is valid only when truss is fabricated by a UFPI plant. Bracing shown is for lateral support of truss members only and does not replace erection and permanent bracing. Refer to Building Component Safety Information (BCSI) for general guidance regarding storage, erection and bracing available from SBCA and Truss Plate Institute.



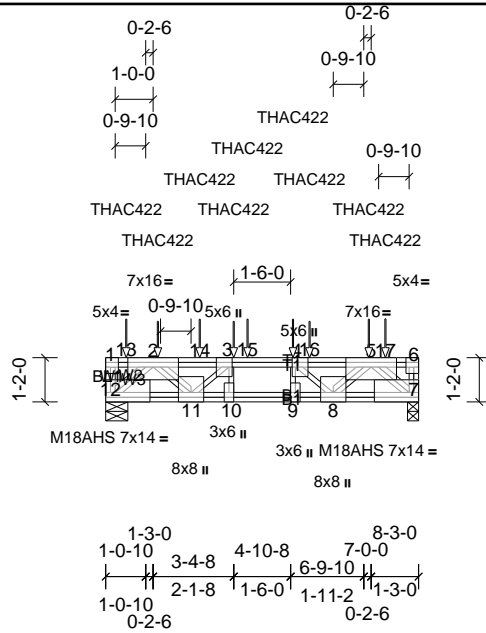
Job 72435959	Truss FG2	Truss Type Truss	Qty 1	Ply 1	MUNGO HOMES - TELFAIR 2ND FLR Job Reference (optional)
-----------------	--------------	---------------------	----------	----------	---

UFP Mid Atlantic LLC, 5631 S. NC 62, Burlington, NC, Joy Perry

Run: 8.81 S Sep 13 2024 Print: 8.810 S Sep 13 2024 MiTek Industries, Inc. Mon Nov 18 08:16:56

Page: 1

ID:a?q6?71yTv6SHVH?OIzqv2z8gqv-KTUVqneBjcCuL6kS?ZnvnvA5_xAnwa8fMRixFoyl0er



Scale = 1:61

Plate Offsets (X, Y): [1:Edge,0-3-0], [3:0-3-0,Edge], [4:0-3-0,Edge], [6:0-1-8,Edge], [7:Edge,0-3-0], [9:0-3-0,Edge], [12:Edge,0-3-0]

Loading	(psf)	Spacing	2-0-0	CSI	DEFL	in	(loc)	l/defl	L/d	PLATES	GRIP	
TCLL	40.0	Plate Grip DOL	1.00	TC	0.83	Vert(LL)	-0.07	10-11	>999	480	M18AHS	186/179
TCDL	10.0	Lumber DOL	1.00	BC	0.83	Vert(CT)	-0.13	10	>766	360	MT20	244/190
BCLL	0.0	Rep Stress Incr	NO	WB	0.80	Horz(CT)	0.03	7	n/a	n/a		
BCDL	5.0	Code	IRC2015/TPI2014	Matrix-SH							Weight: 72 lb	FT = 20%F, 12%E

LUMBER	BRACING
TOP CHORD 2x4 SP No.1(flat)	TOP CHORD Structural wood sheathing directly applied or 5-4-12 oc purlins, except end verticals.
BOT CHORD 2x4 SP SS(flat)	BOT CHORD Rigid ceiling directly applied or 10-0-0 oc bracing.
WEBS 2x4 SP No.3(flat)	
OTHERS 2x4 SP No.3(flat)	

REACTIONS (lb/size) 7=4416/0-3-8, (min. 0-3-0), 12=4274/0-7-0, (min. 0-2-14)
Max Grav 7=4446 (LC 4), 12=4274 (LC 1)

FORCES (lb) - Max. Comp./Max. Ten. - All forces 250 (lb) or less except when shown.
TOP CHORD 1-12=-566/0, 6-7=-368/0, 2-14=-6834/0, 3-14=-6834/0, 3-15=-8947/0, 4-15=-8947/0, 4-16=-6969/0, 5-16=-6969/0
BOT CHORD 11-12=0/4523, 10-11=0/8962, 9-10=0/8947, 8-9=0/8941, 7-8=0/4979
WEBS 3-10=-619/300, 4-9=-390/523, 2-12=-5835/0, 2-11=0/3349, 3-11=-3424/0, 5-8=0/3105, 4-8=-3345/0, 5-7=-6423/0

- NOTES**
- Unbalanced floor live loads have been considered for this design.
 - All plates are MT20 plates unless otherwise indicated.
 - The Fabrication Tolerance at joint 12 = 8%, joint 7 = 8%
 - This truss is designed in accordance with the 2015 International Residential Code sections R502.11.1 and R802.10.2 and referenced standard ANSI/TPI 1.
 - Recommend 2x6 strongbacks, on edge, spaced at 10-00-00 oc and fastened to each truss with 3-10d (0.131" X 3") nails. Strongbacks to be attached to walls at their outer ends or restrained by other means.
 - Use Simpson Strong-Tie THAC422 (6-16d Girder, 6-16d Truss) or equivalent spaced at 2-0-0 oc max. starting at 1-4-8 from the left end to 7-4-8 to connect truss(es) to front face of top chord.
 - Use Simpson Strong-Tie THAC422 (6-16d Girder, 6-16d Truss) or equivalent spaced at 2-0-0 oc max. starting at 0-6-8 from the left end to 6-11-4 to connect truss(es) to back face of top chord.
 - Fill all nail holes where hanger is in contact with lumber.
 - In the LOAD CASE(S) section, loads applied to the face of the truss are noted as front (F) or back (B).

LOAD CASE(S) Standard

- Dead + Floor Live (balanced): Lumber Increase=1.00, Plate Increase=1.00
Uniform Loads (lb/ft)
Vert: 7-12=-10, 1-6=-100
Concentrated Loads (lb)
Vert: 3=-467 (F), 4=-1044 (B), 2=-467 (F), 5=-1044 (B), 13=-1074 (B), 14=-1044 (B), 15=-1044 (B), 16=-467 (F), 17=-1159 (F)



This design is based upon parameters shown, and is for an individual building component to be installed and loaded vertically. Applicability of design parameters and proper incorporation of component is responsibility of the Building Designer. Building Designer shall verify all design information on this sheet for conformance with conditions and requirements of the specific building and governing codes and ordinances. Building Designer accepts responsibility for the correctness or accuracy of the design information as it may relate to a specific building. Certification is valid only when truss is fabricated by a UFPI plant. Bracing shown is for lateral support of truss members only and does not replace erection and permanent bracing. Refer to Building Component Safety Information (BCSI) for general guidance regarding storage, erection and bracing available from SBCA and Truss Plate Institute.



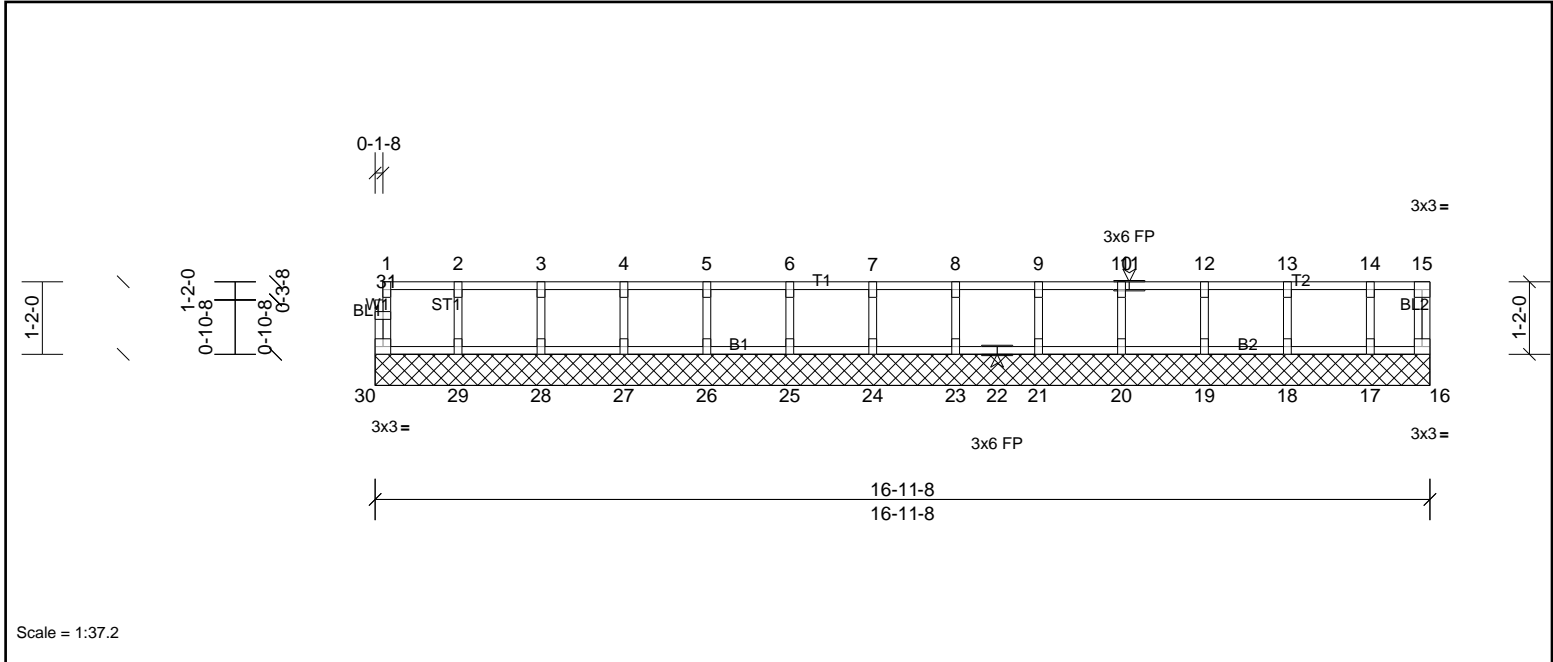
Job 72435959	Truss K200	Truss Type Truss	Qty 1	Ply 1	MUNGO HOMES - TELFAIR 2ND FLR Job Reference (optional)
-----------------	---------------	---------------------	----------	----------	---

UFP Mid Atlantic LLC, 5631 S. NC 62, Burlington, NC, Joy Perry

Run: 8.81 S Sep 13 2024 Print: 8.810 S Sep 13 2024 MiTek Industries, Inc. Mon Nov 18 08:16:57

Page: 1

ID:a?q6?71yTv6SHVH?OIZqv2z8gqv-Cg1t17fpUwKlzGJeZGI8J7JRLJOfDMpa5RUnFyI0eq



Loading	(psf)	Spacing	2-0-0	CSI	DEFL	in	(loc)	l/defl	L/d	PLATES	GRIP	
TCLL	40.0	Plate Grip DOL	1.00	TC	0.08	Vert(LL)	n/a	-	n/a	999	MT20	244/190
TCDL	10.0	Lumber DOL	1.00	BC	0.01	Vert(TL)	n/a	-	n/a	999		
BCLL	0.0	Rep Stress Incr	YES	WB	0.03	Horiz(TL)	0.00	16	n/a	n/a		
BCDL	5.0	Code	IRC2015/TPI2014	Matrix-R							Weight: 72 lb	FT = 20%F, 12%E

LUMBER	BRACING
TOP CHORD 2x4 SP No.2(flat)	TOP CHORD Structural wood sheathing directly applied or 6-0-0 oc purlins, except end verticals.
BOT CHORD 2x4 SP No.2(flat)	BOT CHORD Rigid ceiling directly applied or 10-0-0 oc bracing.
WEBS 2x4 SP No.3(flat)	
OTHERS 2x4 SP No.3(flat)	

REACTIONS All bearings 16-11-8.
(lb) - Max Grav All reactions 250 (lb) or less at joint(s) 16, 17, 18, 19, 20, 21, 23, 24, 25, 26, 27, 28, 29, 30

FORCES (lb) - Max. Comp./Max. Ten. - All forces 250 (lb) or less except when shown.

- NOTES**
- 1) All plates are 1.5x3 MT20 unless otherwise indicated.
 - 2) Gable requires continuous bottom chord bearing.
 - 3) Truss to be fully sheathed from one face or securely braced against lateral movement (i.e. diagonal web).
 - 4) Gable studs spaced at 1'-4-0 oc.
 - 5) This truss is designed in accordance with the 2015 International Residential Code sections R502.11.1 and R802.10.2 and referenced standard ANSI/TPI 1.
 - 6) Recommend 2x6 strongbacks, on edge, spaced at 10-00-00 oc and fastened to each truss with 3-10d (0.131" X 3") nails. Strongbacks to be attached to walls at their outer ends or restrained by other means.



This design is based upon parameters shown, and is for an individual building component to be installed and loaded vertically. Applicability of design parameters and proper incorporation of component is responsibility of the Building Designer. Building Designer shall verify all design information on this sheet for conformance with conditions and requirements of the specific building and governing codes and ordinances. Building Designer accepts responsibility for the correctness or accuracy of the design information as it may relate to a specific building. Certification is valid only when truss is fabricated by a UFPI plant. Bracing shown is for lateral support of truss members only and does not replace erection and permanent bracing. Refer to Building Component Safety Information (BCSI) for general guidance regarding storage, erection and bracing available from SBCA and Truss Plate Institute.



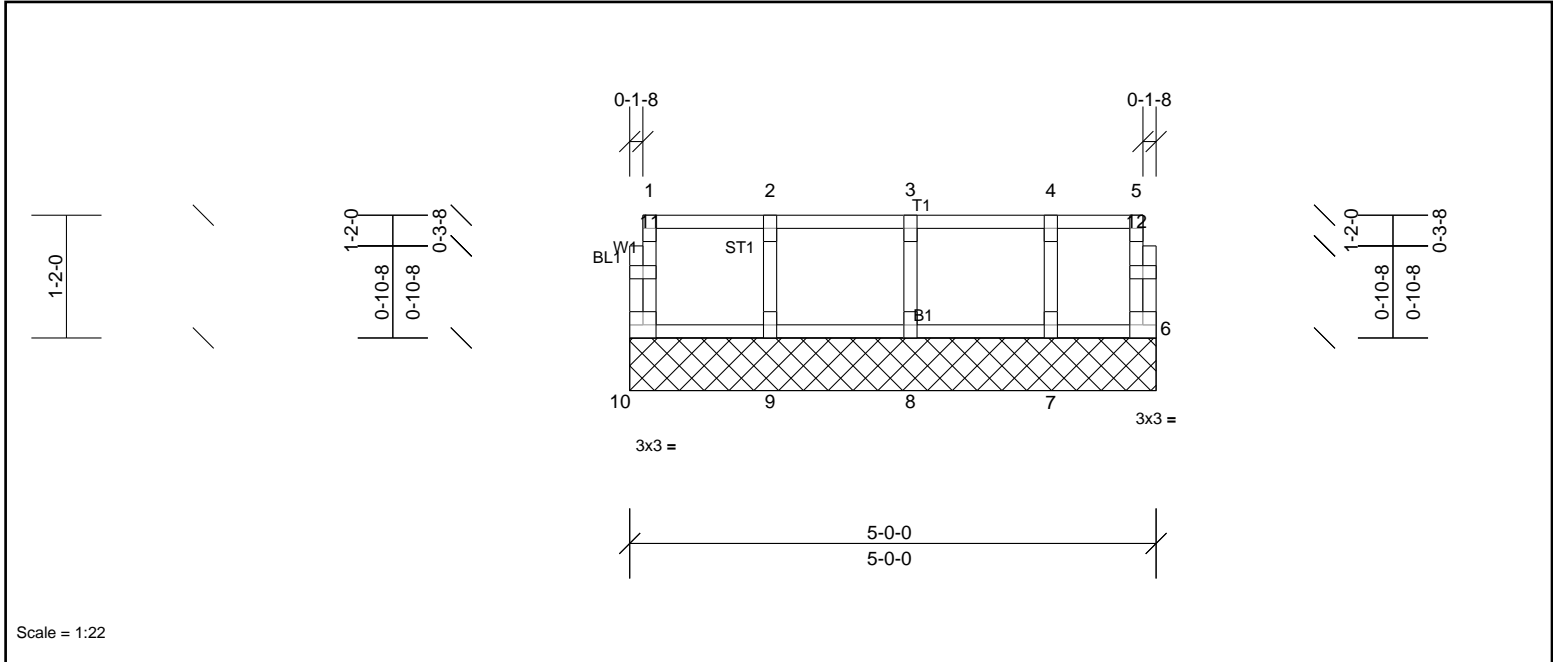
Job 72435959	Truss K201	Truss Type Truss	Qty 2	Ply 1	MUNGO HOMES - TELFAIR 2ND FLR Job Reference (optional)
-----------------	---------------	---------------------	----------	----------	---

UFP Mid Atlantic LLC, 5631 S. NC 62, Burlington, NC, Joy Perry

Run: 8.81 S Sep 13 2024 Print: 8.810 S Sep 13 2024 MiTek Industries, Inc. Mon Nov 18 08:16:57

Page: 1

ID:aO80RvKyYhfBpci67OMqITyJGbv-Cg1t17fpUwKlzGJeZGI8J7jRTLjNfDMpa5RUnFyl0eq



Loading	(psf)	Spacing	2-0-0	CSI	DEFL	in	(loc)	l/defl	L/d	PLATES	GRIP	
TCLL	40.0	Plate Grip DOL	1.00	TC	0.08	Vert(LL)	n/a	-	n/a	999	MT20	244/190
TCDL	10.0	Lumber DOL	1.00	BC	0.02	Vert(TL)	n/a	-	n/a	999		
BCLL	0.0	Rep Stress Incr		YES	0.03	Horiz(TL)	0.00	6	n/a	n/a		
BCDL	5.0	Code	IRC2015/TPI2014	Matrix-R							Weight: 24 lb	FT = 20%F, 12%E

LUMBER		BRACING	
TOP CHORD	2x4 SP No.2(flat)	TOP CHORD	Structural wood sheathing directly applied or 5-0-0 oc purlins, except end verticals.
BOT CHORD	2x4 SP No.2(flat)	BOT CHORD	Rigid ceiling directly applied or 10-0-0 oc bracing.
WEBS	2x4 SP No.3(flat)		
OTHERS	2x4 SP No.3(flat)		

REACTIONS All bearings 5-0-0.
(lb) - Max Grav All reactions 250 (lb) or less at joint(s) 6, 7, 8, 9, 10

FORCES (lb) - Max. Comp./Max. Ten. - All forces 250 (lb) or less except when shown.

- NOTES**
- All plates are 1.5x3 MT20 unless otherwise indicated.
 - Gable requires continuous bottom chord bearing.
 - Truss to be fully sheathed from one face or securely braced against lateral movement (i.e. diagonal web).
 - Gable studs spaced at 1-4-0 oc.
 - This truss is designed in accordance with the 2015 International Residential Code sections R502.11.1 and R802.10.2 and referenced standard ANSI/TPI 1.
 - Recommend 2x6 strongbacks, on edge, spaced at 10-00-00 oc and fastened to each truss with 3-10d (0.131" X 3") nails. Strongbacks to be attached to walls at their outer ends or restrained by other means.



This design is based upon parameters shown, and is for an individual building component to be installed and loaded vertically. Applicability of design parameters and proper incorporation of component is responsibility of the Building Designer. Building Designer shall verify all design information on this sheet for conformance with conditions and requirements of the specific building and governing codes and ordinances. Building Designer accepts responsibility for the correctness or accuracy of the design information as it may relate to a specific building. Certification is valid only when truss is fabricated by a UFPI plant. Bracing shown is for lateral support of truss members only and does not replace erection and permanent bracing. Refer to Building Component Safety Information (BCSI) for general guidance regarding storage, erection and bracing available from SBCA and Truss Plate Institute.



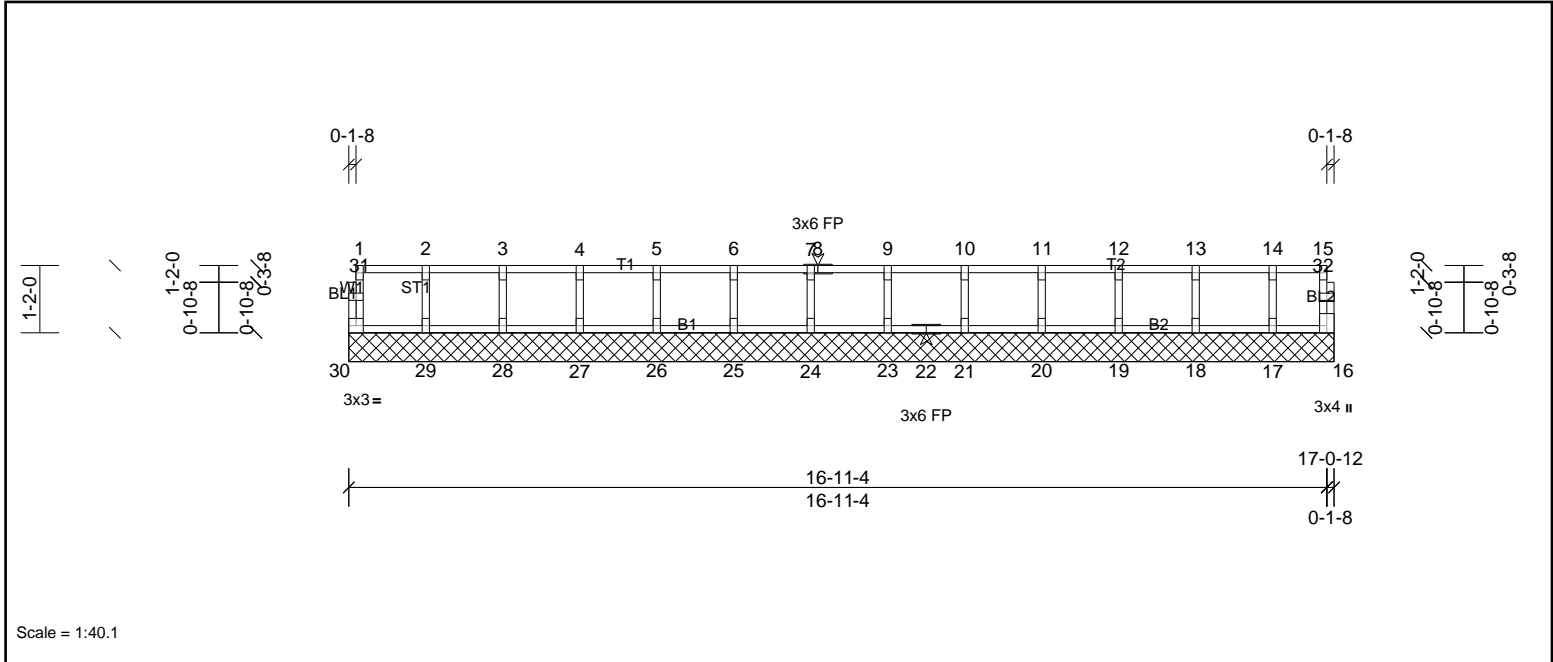
Job 72435959	Truss K202	Truss Type Truss	Qty 1	Ply 1	MUNGO HOMES - TELFAIR 2ND FLR Job Reference (optional)
-----------------	---------------	---------------------	----------	----------	---

UFP Mid Atlantic LLC, 5631 S. NC 62, Burlington, NC, Joy Perry

Run: 8.810 S Sep 13 2024 Print: 8.810 S Sep 13 2024 MiTek Industries, Inc. Mon Nov 18 08:16:57

Page: 1

ID:vLwVCrAqlwcs3FT_AMX8Qxz1jdG-Cg1t17fpUwKlzGJeZGI8J7RULjSfDMpa5RUnFyI0eq



Scale = 1:40.1

Loading	(psf)	Spacing	2-0-0	CSI	DEFL	in	(loc)	l/defl	L/d	PLATES	GRIP	
TCLL	40.0	Plate Grip DOL	1.00	TC	0.08	Vert(LL)	n/a	-	n/a	999	MT20	244/190
TCDL	10.0	Lumber DOL	1.00	BC	0.01	Vert(TL)	n/a	-	n/a	999		
BCLL	0.0	Rep Stress Incr	YES	WB	0.03	Horiz(TL)	0.00	16	n/a	n/a		
BCDL	5.0	Code	IRC2015/TPI2014	Matrix-R							Weight: 72 lb	FT = 20%F, 12%E

LUMBER		BRACING	
TOP CHORD	2x4 SP No.2(flat)	TOP CHORD	Structural wood sheathing directly applied or 6-0-0 oc purlins, except end verticals.
BOT CHORD	2x4 SP No.2(flat)	BOT CHORD	Rigid ceiling directly applied or 10-0-0 oc bracing.
WEBS	2x4 SP No.3(flat)		
OTHERS	2x4 SP No.3(flat)		

REACTIONS All bearings 17-0-12.
(lb) - Max Grav All reactions 250 (lb) or less at joint(s) 16, 17, 18, 19, 20, 21, 23, 24, 25, 26, 27, 28, 29, 30

FORCES (lb) - Max. Comp./Max. Ten. - All forces 250 (lb) or less except when shown.

- NOTES**
- Unbalanced floor live loads have been considered for this design.
 - All plates are 1.5x3 MT20 unless otherwise indicated.
 - Gable requires continuous bottom chord bearing.
 - Truss to be fully sheathed from one face or securely braced against lateral movement (i.e. diagonal web).
 - Gable studs spaced at 1-4-0 oc.
 - Bearing at joint(s) 16 considers parallel to grain value using ANSI/TPI 1 angle to grain formula. Building designer should verify capacity of bearing surface.
 - This truss is designed in accordance with the 2015 International Residential Code sections R502.11.1 and R802.10.2 and referenced standard ANSI/TPI 1.
 - Recommend 2x6 strongbacks, on edge, spaced at 10-00-00 oc and fastened to each truss with 3-10d (0.131" X 3") nails. Strongbacks to be attached to walls at their outer ends or restrained by other means.



This design is based upon parameters shown, and is for an individual building component to be installed and loaded vertically. Applicability of design parameters and proper incorporation of component is responsibility of the Building Designer. Building Designer shall verify all design information on this sheet for conformance with conditions and requirements of the specific building and governing codes and ordinances. Building Designer accepts responsibility for the correctness or accuracy of the design information as it may relate to a specific building. Certification is valid only when truss is fabricated by a UFPI plant. Bracing shown is for lateral support of truss members only and does not replace erection and permanent bracing. Refer to Building Component Safety Information (BCSI) for general guidance regarding storage, erection and bracing available from SBCA and Truss Plate Institute.



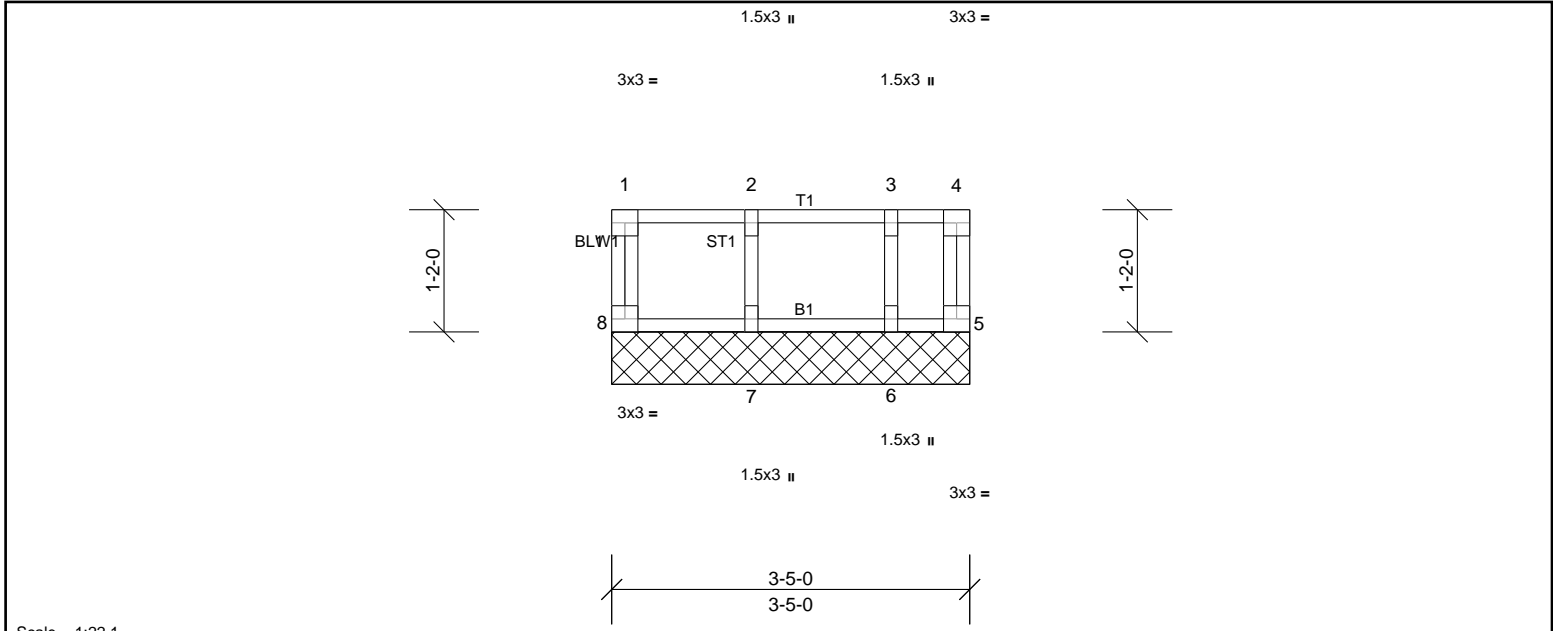
Job 72435959	Truss K203	Truss Type Truss	Qty 1	Ply 1	MUNGO HOMES - TELFAIR 2ND FLR Job Reference (optional)
-----------------	---------------	---------------------	----------	----------	---

UFP Mid Atlantic LLC, 5631 S. NC 62, Burlington, NC, Joy Perry

Run: 8.81 S Sep 13 2024 Print: 8.810 S Sep 13 2024 MiTek Industries, Inc. Mon Nov 18 08:16:57

Page: 1

ID:a?q6?71yTv6SHVH?OlZqv2z8gqv-Cg1t17fpUwKlzGJeZGI8J7jRULjJfDMPa5RUnFyI0eq



Loading	(psf)	Spacing	2-0-0	CSI		DEFL	in	(loc)	l/defl	L/d	PLATES	GRIP
TCLL	40.0	Plate Grip DOL	1.00	TC	0.08	Vert(LL)	n/a	-	n/a	999	MT20	244/190
TCDL	10.0	Lumber DOL	1.00	BC	0.02	Vert(TL)	n/a	-	n/a	999		
BCLL	0.0	Rep Stress Incr	YES	WB	0.03	Horiz(TL)	0.00	5	n/a	n/a		
BCDL	5.0	Code	IRC2015/TPI2014	Matrix-R							Weight: 18 lb	FT = 20%F, 12%E

LUMBER		BRACING	
TOP CHORD	2x4 SP No.2(flat)	TOP CHORD	Structural wood sheathing directly applied or 3-5-0 oc purlins, except end verticals.
BOT CHORD	2x4 SP No.2(flat)	BOT CHORD	Rigid ceiling directly applied or 10-0-0 oc bracing.
WEBS	2x4 SP No.3(flat)		
OTHERS	2x4 SP No.3(flat)		

REACTIONS All bearings 3-5-0.
(lb) - Max Grav All reactions 250 (lb) or less at joint(s) 5, 6, 7, 8

FORCES (lb) - Max. Comp./Max. Ten. - All forces 250 (lb) or less except when shown.

- NOTES**
- Gable requires continuous bottom chord bearing.
 - Truss to be fully sheathed from one face or securely braced against lateral movement (i.e. diagonal web).
 - Gable studs spaced at 1-4-0 oc.
 - This truss is designed in accordance with the 2015 International Residential Code sections R502.11.1 and R802.10.2 and referenced standard ANSI/TPI 1.
 - Recommend 2x6 strongbacks, on edge, spaced at 10-00-00 oc and fastened to each truss with 3-10d (0.131" X 3") nails. Strongbacks to be attached to walls at their outer ends or restrained by other means.



This design is based upon parameters shown, and is for an individual building component to be installed and loaded vertically. Applicability of design parameters and proper incorporation of component is responsibility of the Building Designer. Building Designer shall verify all design information on this sheet for conformance with conditions and requirements of the specific building and governing codes and ordinances. Building Designer accepts responsibility for the correctness or accuracy of the design information as it may relate to a specific building. Certification is valid only when truss is fabricated by a UFPI plant. Bracing shown is for lateral support of truss members only and does not replace erection and permanent bracing. Refer to Building Component Safety Information (BCSI) for general guidance regarding storage, erection and bracing available from SBCA and Truss Plate Institute.



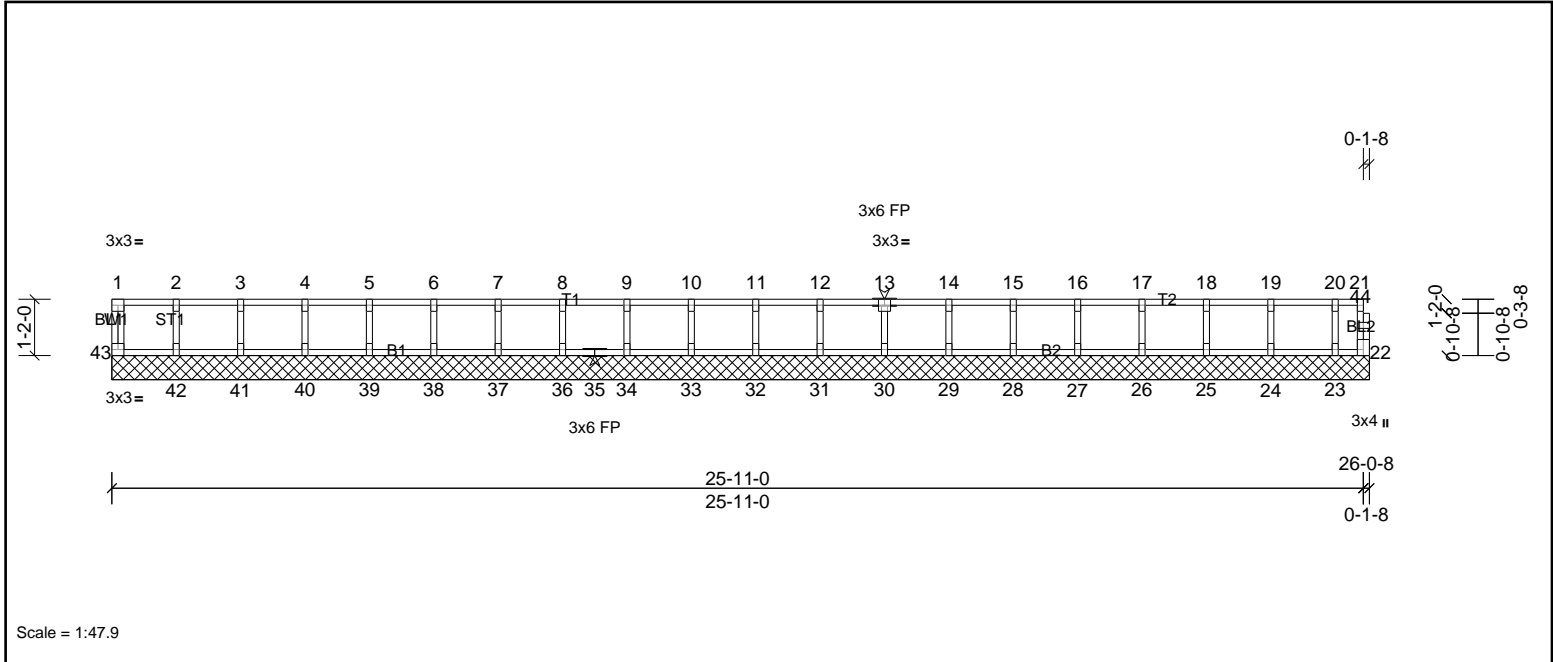
Job 72435959	Truss K204	Truss Type Truss	Qty 1	Ply 1	MUNGO HOMES - TELFAIR 2ND FLR Job Reference (optional)
-----------------	---------------	---------------------	----------	----------	---

UFP Mid Atlantic LLC, 5631 S. NC 62, Burlington, NC, Joy Perry

Run: 8.81 S Sep 13 2024 Print: 8.810 S Sep 13 2024 MiTek Industries, Inc. Mon Nov 18 08:16:57

Page: 1

ID:a?q6?71yTv6SHVH?OIZqv2z8gqv-Cg1t17fpUwKlzGJeZGI8J7jRTLjNfDMpa5RUnFyI0eq



Scale = 1:47.9

Loading	(psf)	Spacing	2-0-0	CSI	DEFL	in	(loc)	l/defl	L/d	PLATES	GRIP	
TCLL	40.0	Plate Grip DOL	1.00	TC	0.08	Vert(LL)	n/a	-	n/a	999	MT20	244/190
TCDL	10.0	Lumber DOL	1.00	BC	0.02	Vert(TL)	n/a	-	n/a	999		
BCLL	0.0	Rep Stress Incr	YES	WB	0.03	Horiz(TL)	0.00	22	n/a	n/a		
BCDL	5.0	Code	IRC2015/TPI2014	Matrix-R							Weight: 108 lb	FT = 20%F, 12%E

LUMBER		BRACING	
TOP CHORD	2x4 SP No.2(flat)	TOP CHORD	Structural wood sheathing directly applied or 6-0-0 oc purlins, except end verticals.
BOT CHORD	2x4 SP No.2(flat)	BOT CHORD	Rigid ceiling directly applied or 10-0-0 oc bracing.
WEBS	2x4 SP No.3(flat)		
OTHERS	2x4 SP No.3(flat)		

REACTIONS All bearings 26-0-8.
(lb) - Max Grav All reactions 250 (lb) or less at joint(s) 22, 23, 24, 25, 26, 27, 28, 29, 30, 31, 32, 33, 34, 36, 37, 38, 39, 40, 41, 42, 43

FORCES (lb) - Max. Comp./Max. Ten. - All forces 250 (lb) or less except when shown.

- NOTES**
- 1) All plates are 1.5x3 MT20 unless otherwise indicated.
 - 2) Gable requires continuous bottom chord bearing.
 - 3) Truss to be fully sheathed from one face or securely braced against lateral movement (i.e. diagonal web).
 - 4) Gable studs spaced at 1-4-0 oc.
 - 5) Bearing at joint(s) 22 considers parallel to grain value using ANSI/TPI 1 angle to grain formula. Building designer should verify capacity of bearing surface.
 - 6) This truss is designed in accordance with the 2015 International Residential Code sections R502.11.1 and R802.10.2 and referenced standard ANSI/TPI 1.
 - 7) Recommend 2x6 strongbacks, on edge, spaced at 10-00-00 oc and fastened to each truss with 3-10d (0.131" X 3") nails. Strongbacks to be attached to walls at their outer ends or restrained by other means.



This design is based upon parameters shown, and is for an individual building component to be installed and loaded vertically. Applicability of design parameters and proper incorporation of component is responsibility of the Building Designer. Building Designer shall verify all design information on this sheet for conformance with conditions and requirements of the specific building and governing codes and ordinances. Building Designer accepts responsibility for the correctness or accuracy of the design information as it may relate to a specific building. Certification is valid only when truss is fabricated by a UFPI plant. Bracing shown is for lateral support of truss members only and does not replace erection and permanent bracing. Refer to Building Component Safety Information (BCSI) for general guidance regarding storage, erection and bracing available from SBCA and Truss Plate Institute.



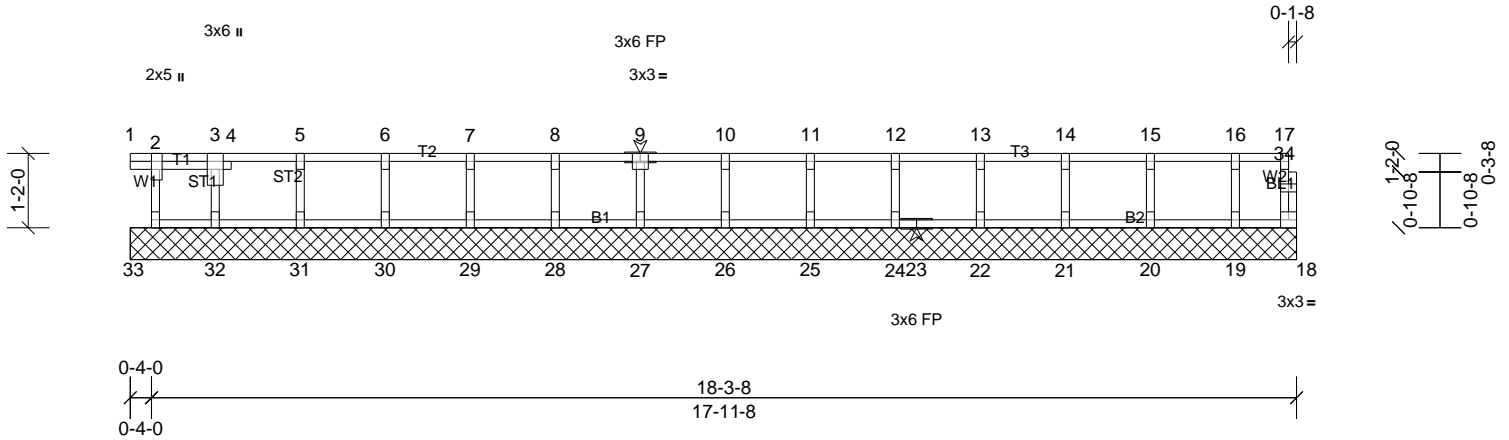
Job 72435959	Truss K205	Truss Type Truss	Qty 1	Ply 1	MUNGO HOMES - TELFAIR 2ND FLR Job Reference (optional)
-----------------	---------------	---------------------	----------	----------	---

UFP Mid Atlantic LLC, 5631 S. NC 62, Burlington, NC, Joy Perry

Run: 8.81 S Sep 13 2024 Print: 8.810 S Sep 13 2024 MiTek Industries, Inc. Mon Nov 18 08:16:58

Page: 1

ID:a?q6?71yTv6SHVH?OIzqv2z8gqv-gsbFFTfRFDScbQur7_pNsKFcEI3jOgcypIB1Jhyl0ep



Scale = 1:36.3

Plate Offsets (X, Y): [2:0-3-0,Edge]

Loading	(psf)	Spacing	2-0-0	CSI	DEFL	in	(loc)	l/defl	L/d	PLATES	GRIP	
TCLL	40.0	Plate Grip DOL	1.00	TC	0.08	Vert(LL)	n/a	-	n/a	999	MT20	244/190
TCDL	10.0	Lumber DOL	1.00	BC	0.01	Vert(CT)	n/a	-	n/a	999		
BCLL	0.0	Rep Stress Incr	YES	WB	0.03	Horz(CT)	0.00	18	n/a	n/a		
BCDL	5.0	Code	IRC2015/TPI2014	Matrix-R							Weight: 77 lb	FT = 20%F, 12%E

LUMBER	BRACING
TOP CHORD 2x4 SP No.2(flat)	TOP CHORD Structural wood sheathing directly applied or 6-0-0 oc purlins, except end verticals.
BOT CHORD 2x4 SP No.2(flat)	BOT CHORD Rigid ceiling directly applied or 10-0-0 oc bracing.
WEBS 2x4 SP No.3(flat)	
OTHERS 2x4 SP No.3(flat)	

REACTIONS All bearings 18-3-8.
(lb) - Max Grav All reactions 250 (lb) or less at joint(s) 18, 19, 20, 21, 22, 24, 25, 26, 27, 28, 29, 30, 31, 32, 33

FORCES (lb) - Max. Comp./Max. Ten. - All forces 250 (lb) or less except when shown.

- NOTES**
- All plates are 1.5x3 MT20 unless otherwise indicated.
 - Gable requires continuous bottom chord bearing.
 - Truss to be fully sheathed from one face or securely braced against lateral movement (i.e. diagonal web).
 - Gable studs spaced at 1-4-0 oc.
 - This truss is designed in accordance with the 2015 International Residential Code sections R502.11.1 and R802.10.2 and referenced standard ANSI/TPI 1.
 - Recommend 2x6 strongbacks, on edge, spaced at 10-00-00 oc and fastened to each truss with 3-10d (0.131" X 3") nails. Strongbacks to be attached to walls at their outer ends or restrained by other means.
 - CAUTION, Do not erect truss backwards.



This design is based upon parameters shown, and is for an individual building component to be installed and loaded vertically. Applicability of design parameters and proper incorporation of component is responsibility of the Building Designer. Building Designer shall verify all design information on this sheet for conformance with conditions and requirements of the specific building and governing codes and ordinances. Building Designer accepts responsibility for the correctness or accuracy of the design information as it may relate to a specific building. Certification is valid only when truss is fabricated by a UFPI plant. Bracing shown is for lateral support of truss members only and does not replace erection and permanent bracing. Refer to Building Component Safety Information (BCSI) for general guidance regarding storage, erection and bracing available from SBCA and Truss Plate Institute.

