

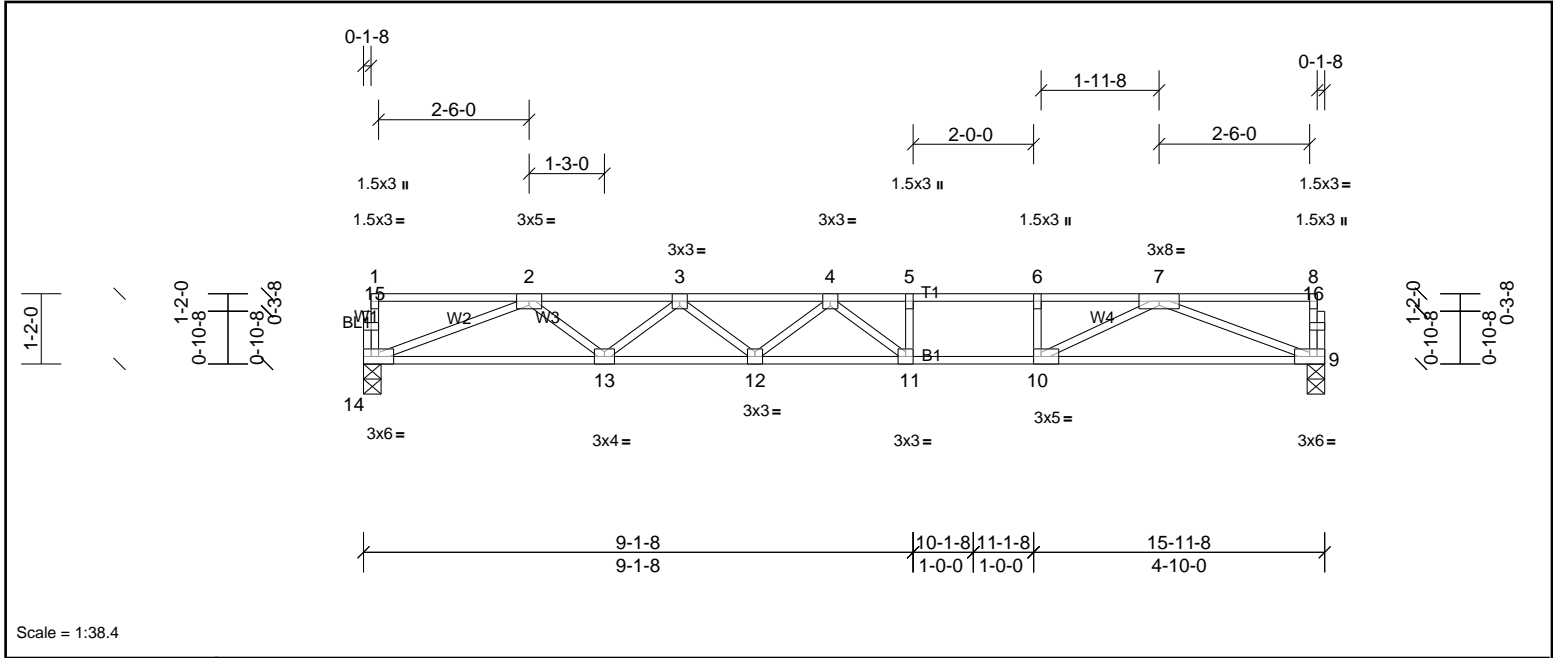
Job 72500435	Truss F200	Truss Type Truss	Qty 5	Ply 1	MUNGO HOMES - TELFAIR 2ND FLR Job Reference (optional) 28 CBR
-----------------	---------------	---------------------	----------	----------	---

UFP Mid Atlantic LLC, 5631 S. NC 62, Burlington, NC, Joy Perry

Run: 8.81 S Sep 13 2024 Print: 8.810 S Sep 13 2024 MiTek Industries, Inc. Tue Jan 07 11:44:26

Page: 1

ID:a?q6?71yTv6SHVH?OIZqv2z8gqv-pZChGCL7xWddlcaQVldyU3v?0USxGP6BI3?s14zxmj



Scale = 1:38.4

Plate Offsets (X, Y):	[10:0-1-8,Edge]				
Loading (psf)	Spacing 2-0-0	CSI	DEFL in (loc) l/defl L/d	PLATES	GRIP
TCLL 40.0	Plate Grip DOL 1.00	TC 0.71	Vert(LL) -0.32 11-12 >595 480	MT20	244/190
TCDL 10.0	Lumber DOL 1.00	BC 0.75	Vert(CT) -0.43 11-12 >439 360		
BCLL 0.0	Rep Stress Incr YES	WB 0.61	Horz(CT) 0.05 9 n/a n/a		
BCDL 5.0	Code IRC2015/TPI2014	Matrix-SH		Weight: 77 lb	FT = 20%F, 12%E

LUMBER	BRACING
TOP CHORD 2x4 SP SS(flat)	TOP CHORD Structural wood sheathing directly applied or 6-0-0 oc purlins, except end verticals.
BOT CHORD 2x4 SP SS(flat)	BOT CHORD Rigid ceiling directly applied or 10-0-0 oc bracing.
WEBS 2x4 SP No.3(flat)	
OTHERS 2x4 SP No.3(flat)	

REACTIONS	(lb/size) 9=858/0-3-8, (min. 0-1-8), 14=858/0-3-8, (min. 0-1-8)
FORCES	(lb) - Max. Comp./Max. Ten. - All forces 250 (lb) or less except when shown.
TOP CHORD	2-3=-2391/0, 3-4=-3135/0, 4-5=-2950/0, 5-6=-2950/0, 6-7=-2950/0
BOT CHORD	13-14=0/1852, 12-13=0/2903, 11-12=0/3260, 10-11=0/2950, 9-10=0/1854
WEBS	6-10=-421/0, 2-14=-1986/0, 2-13=0/700, 3-13=-667/0, 3-12=0/302, 4-11=-561/170, 7-9=-1987/0, 7-10=0/1281

- NOTES**
- 1) Unbalanced floor live loads have been considered for this design.
 - 2) This truss is designed in accordance with the 2015 International Residential Code sections R502.11.1 and R802.10.2 and referenced standard ANSI/TPI 1.
 - 3) Recommend 2x6 strongbacks, on edge, spaced at 10-00-00 oc and fastened to each truss with 3-10d (0.131" X 3") nails. Strongbacks to be attached to walls at their outer ends or restrained by other means.



This design is based upon parameters shown, and is for an individual building component to be installed and loaded vertically. Applicability of design parameters and proper incorporation of component is responsibility of the Building Designer. Building Designer shall verify all design information on this sheet for conformance with conditions and requirements of the specific building and governing codes and ordinances. Building Designer accepts responsibility for the correctness or accuracy of the design information as it may relate to a specific building. Certification is valid only when truss is fabricated by a UFPI plant. Bracing shown is for lateral support of truss members only and does not replace erection and permanent bracing. Refer to Building Component Safety Information (BCSI) for general guidance regarding storage, erection and bracing available from SBCA and Truss Plate Institute.



Job 72500435	Truss F201	Truss Type Truss	Qty 1	Ply 1	MUNGO HOMES - TELFAIR 2ND FLR Job Reference (optional)
-----------------	---------------	---------------------	----------	----------	---

UFPI Mid Atlantic LLC, 5631 S. NC 62, Burlington, NC, Joy Perry

Run: 8.81 S Sep 13 2024 Print: 8.810 S Sep 13 2024 MiTek Industries, Inc. Tue Jan 07 11:44:26

Page: 1

ID:a?q6?71yTv6SHVH?OIzqv2z8gqv-pZChGCL7xWddlcaQVldyU3v0YUS1GP4BI3?s14zxmj

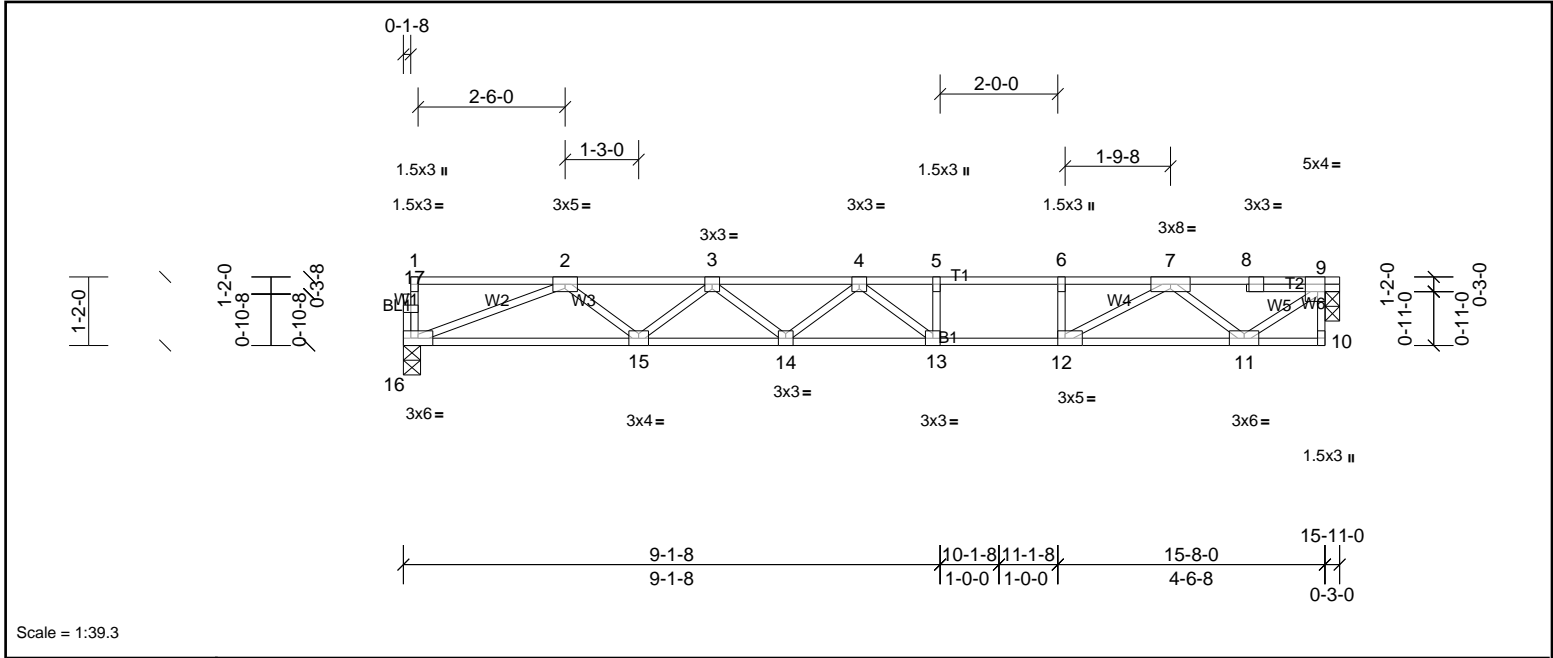


Plate Offsets (X, Y): [9:0-1-8,Edge], [12:0-1-8,Edge]

Loading	(psf)	Spacing	2-0-0	CSI	DEFL	in	(loc)	l/defl	L/d	PLATES	GRIP	
TCLL	40.0	Plate Grip DOL	1.00	TC	0.67	Vert(LL)	-0.30	13-14	>627	480	MT20	244/190
TCDL	10.0	Lumber DOL	1.00	BC	0.74	Vert(CT)	-0.41	13-14	>458	360		
BCLL	0.0	Rep Stress Incr	YES	WB	0.61	Horz(CT)	0.03	9	n/a	n/a		
BCDL	5.0	Code	IRC2015/TPI2014	Matrix-SH							Weight: 78 lb	FT = 20%F, 12%E

LUMBER	BRACING
TOP CHORD 2x4 SP SS(flat)	TOP CHORD Structural wood sheathing directly applied or 6-0-0 oc purlins, except end verticals.
BOT CHORD 2x4 SP SS(flat)	BOT CHORD Rigid ceiling directly applied or 10-0-0 oc bracing.
WEBS 2x4 SP No.3(flat)	
OTHERS 2x4 SP No.3(flat)	

REACTIONS	(lb/size)	9=851/0-2-15, (min. 0-1-8), 16=845/0-3-8, (min. 0-1-8)
FORCES	(lb) - Max. Comp./Max. Ten. - All forces 250 (lb) or less except when shown.	
TOP CHORD	2-3=-2344/0, 3-4=-3059/0, 4-5=-2840/0, 5-6=-2840/0, 6-7=-2840/0, 7-8=-903/0, 8-9=-908/0	
BOT CHORD	15-16=0/1821, 14-15=0/2842, 13-14=0/3166, 12-13=0/2840, 11-12=0/1765	
WEBS	6-12=-432/0, 2-16=-1952/0, 2-15=0/681, 3-15=-648/0, 3-14=0/283, 4-13=-564/137, 9-11=0/1127, 7-11=-1122/0, 7-12=0/1286	

- NOTES**
- 1) Unbalanced floor live loads have been considered for this design.
 - 2) Provide mechanical connection (by others) of truss to bearing plate at joint(s) 9.
 - 3) This truss is designed in accordance with the 2015 International Residential Code sections R502.11.1 and R802.10.2 and referenced standard ANSI/TPI 1.
 - 4) Recommend 2x6 strongbacks, on edge, spaced at 10-00-00 oc and fastened to each truss with 3-10d (0.131" X 3") nails. Strongbacks to be attached to walls at their outer ends or restrained by other means.
 - 5) Gap between inside of top chord bearing and first diagonal or vertical web shall not exceed 0.500in.
 - 6) CAUTION, Do not erect truss backyards.



This design is based upon parameters shown, and is for an individual building component to be installed and loaded vertically. Applicability of design parameters and proper incorporation of component is responsibility of the Building Designer. Building Designer shall verify all design information on this sheet for conformance with conditions and requirements of the specific building and governing codes and ordinances. Building Designer accepts responsibility for the correctness or accuracy of the design information as it may relate to a specific building. Certification is valid only when truss is fabricated by a UFPI plant. Bracing shown is for lateral support of truss members only and does not replace erection and permanent bracing. Refer to Building Component Safety Information (BCSI) for general guidance regarding storage, erection and bracing available from SBCA and Truss Plate Institute.



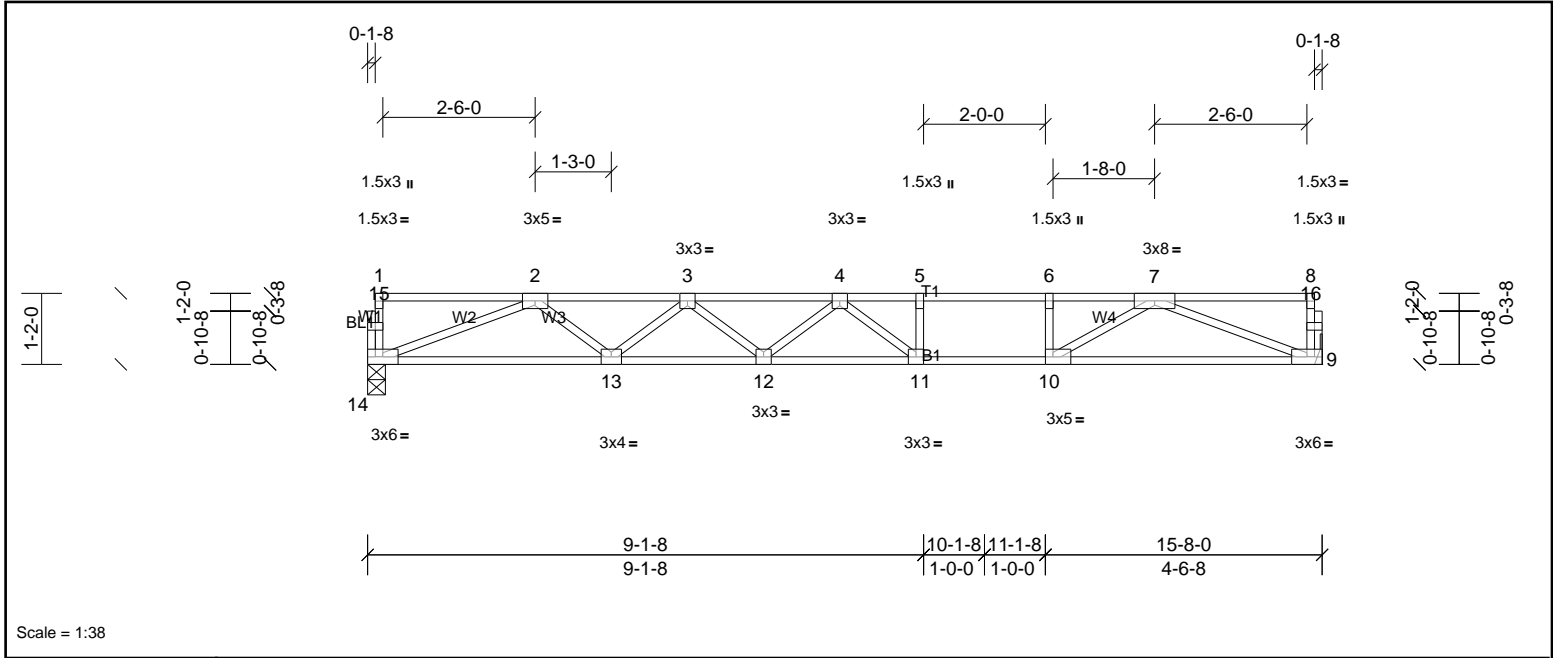
Job 72500435	Truss F202	Truss Type Truss	Qty 3	Ply 1	MUNGO HOMES - TELFAIR 2ND FLR Job Reference (optional)
-----------------	---------------	---------------------	----------	----------	---

UFP Mid Atlantic LLC, 5631 S. NC 62, Burlington, NC, Joy Perry

Run: 8.81 S Sep 13 2024 Print: 8.810 S Sep 13 2024 MiTek Industries, Inc. Tue Jan 07 11:44:26

Page: 1

ID:a?q6?771yTv6SHVH?OIzqv2z8gqv-pZChGCL7xWddlcaQVldyU3v04US1GQgBI3?s14zxmj



Scale = 1:38

Plate Offsets (X, Y):		[10:0-1-8,Edge]										
Loading	(psf)	Spacing	2-0-0	CSI		DEFL	in	(loc)	l/defl	L/d	PLATES	GRIP
TCLL	40.0	Plate Grip DOL	1.00	TC	0.70	Vert(LL)	-0.31	11-12	>598	480	MT20	244/190
TCDL	10.0	Lumber DOL	1.00	BC	0.74	Vert(CT)	-0.42	11-12	>440	360		
BCLL	0.0	Rep Stress Incr	YES	WB	0.57	Horz(CT)	0.05	9	n/a	n/a		
BCDL	5.0	Code	IRC2015/TPI2014	Matrix-SH							Weight: 76 lb	FT = 20%F, 12%E

LUMBER		BRACING	
TOP CHORD	2x4 SP SS(flat)	TOP CHORD	Structural wood sheathing directly applied or 6-0-0 oc purlins, except end verticals.
BOT CHORD	2x4 SP SS(flat)	BOT CHORD	Rigid ceiling directly applied or 10-0-0 oc bracing.
WEBS	2x4 SP No.3(flat)		
OTHERS	2x4 SP No.3(flat)		

REACTIONS	(lb/size)	9=842/ Mechanical, (min. 0-1-8), 14=842/0-3-8, (min. 0-1-8)
FORCES	(lb) - Max. Comp./Max. Ten. - All forces 250 (lb) or less except when shown.	
TOP CHORD		2-3=-2331/0, 3-4=-3039/0, 4-5=-2798/0, 5-6=-2798/0, 6-7=-2798/0
BOT CHORD		13-14=0/1812, 12-13=0/2825, 11-12=0/3142, 10-11=0/2798, 9-10=0/1819
WEBS		6-10=-449/0, 2-14=-1943/0, 2-13=0/675, 3-13=-643/0, 3-12=0/279, 4-11=-585/131, 7-9=-1949/0, 7-10=0/1207

- NOTES**
- 1) Unbalanced floor live loads have been considered for this design.
 - 2) This truss is designed in accordance with the 2015 International Residential Code sections R502.11.1 and R802.10.2 and referenced standard ANSI/TPI 1.
 - 3) Recommend 2x6 strongbacks, on edge, spaced at 10-00-00 oc and fastened to each truss with 3-10d (0.131" X 3") nails. Strongbacks to be attached to walls at their outer ends or restrained by other means.



This design is based upon parameters shown, and is for an individual building component to be installed and loaded vertically. Applicability of design parameters and proper incorporation of component is responsibility of the Building Designer. Building Designer shall verify all design information on this sheet for conformance with conditions and requirements of the specific building and governing codes and ordinances. Building Designer accepts responsibility for the correctness or accuracy of the design information as it may relate to a specific building. Certification is valid only when truss is fabricated by a UFPI plant. Bracing shown is for lateral support of truss members only and does not replace erection and permanent bracing. Refer to Building Component Safety Information (BCSI) for general guidance regarding storage, erection and bracing available from SBCA and Truss Plate Institute.



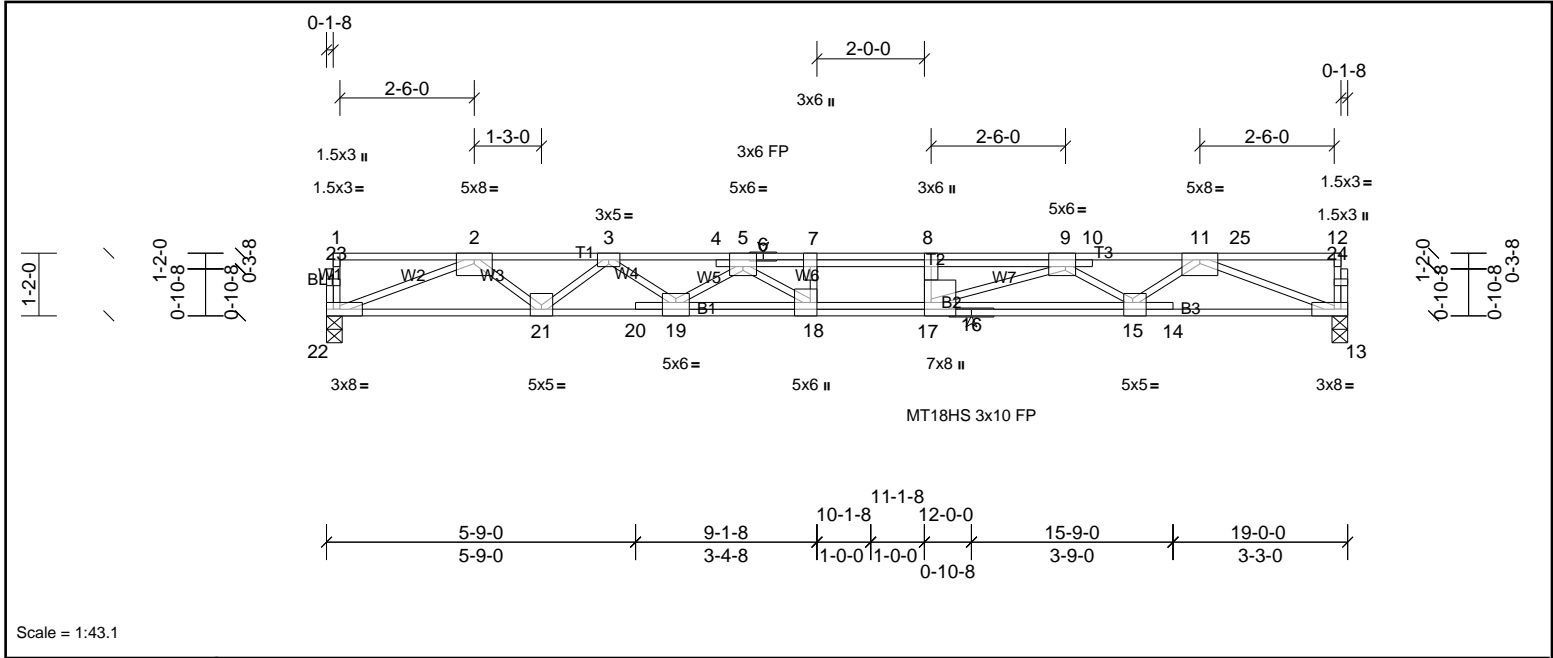
Job 72500435	Truss F203	Truss Type Truss	Qty 10	Ply 1	MUNGO HOMES - TELFAIR 2ND FLR Job Reference (optional)
-----------------	---------------	---------------------	-----------	----------	---

UFP Mid Atlantic LLC, 5631 S. NC 62, Burlington, NC, Joy Perry

Run: 8.81 S Sep 13 2024 Print: 8.810 S Sep 13 2024 MiTek Industries, Inc. Tue Jan 07 11:44:27

Page: 1

ID:gybFDKc1Jhrnb30WAXcCoLz1jXX-Hmm3UYMliplUwm9d3S9B1HR9Atp1?o3KzjlQZXzxml



Scale = 1:43.1

Plate Offsets (X, Y):	[5:0-3-0,Edge], [8:0-3-0,Edge], [9:0-2-4,Edge], [15:0-2-0,Edge], [17:0-3-0,Edge], [18:0-3-0,Edge], [19:0-3-0,Edge]											
Loading	(psf)	Spacing	2-0-0	CSI		DEFL	in	(loc)	l/defl	L/d	PLATES	GRIP
TCLL	40.0	Plate Grip DOL	1.00	TC	0.81	Vert(LL)	-0.30	18-19	>760	480	MT18HS	244/190
TCDL	10.0	Lumber DOL	1.00	BC	0.64	Vert(CT)	-0.49	18-19	>456	360	MT20	244/190
BCLL	0.0	Rep Stress Incr	NO	WB	0.89	Horz(CT)	0.08	13	n/a	n/a		
BCDL	5.0	Code	IRC2015/TPI2014	Matrix-SH							Weight: 115 lb	FT = 20%F, 12%E

LUMBER		BRACING	
TOP CHORD	2x4 SP No.1(flat)	TOP CHORD	Structural wood sheathing directly applied or 4-9-13 oc purlins, except end verticals.
BOT CHORD	2x4 SP SS(flat)	BOT CHORD	Rigid ceiling directly applied or 10-0-0 oc bracing.
WEBS	2x4 SP No.3(flat)		
OTHERS	2x4 SP No.3(flat)		

REACTIONS	(lb/size)	13=1397/0-3-8, (min. 0-1-8), 22=1160/0-3-8, (min. 0-1-8)
FORCES	(lb) - Max. Comp./Max. Ten. - All forces 250 (lb) or less except when shown.	
TOP CHORD		2-3=-3494/0, 3-4=-5117/0, 4-5=-5099/0, 5-6=-6511/0, 6-7=-6511/0, 7-8=-6511/0, 8-9=-6511/0, 9-10=-4074/0, 10-11=-4079/0
BOT CHORD		21-22=0/2608, 20-21=0/4397, 19-20=0/4386, 18-19=0/5883, 17-18=0/6511, 16-17=0/5184, 15-16=0/5184, 14-15=0/3016, 13-14=0/3024
WEBS		7-18=-468/0, 8-17=-407/0, 2-22=-2799/0, 2-21=0/1154, 3-21=-1175/0, 3-19=0/916, 5-19=-949/0, 5-18=0/1118, 9-17=0/1553, 9-15=-1370/0, 11-15=0/1341, 11-13=-3240/0

- NOTES**
- 1) Unbalanced floor live loads have been considered for this design.
 - 2) All plates are MT20 plates unless otherwise indicated.
 - 3) This truss is designed in accordance with the 2015 International Residential Code sections R502.11.1 and R802.10.2 and referenced standard ANSI/TPI 1.
 - 4) Load case(s) 1 has/have been modified. Building designer must review loads to verify that they are correct for the intended use of this truss.
 - 5) Recommend 2x6 strongbacks, on edge, spaced at 10-00-00 oc and fastened to each truss with 3-10d (0.131" X 3") nails. Strongbacks to be attached to walls at their outer ends or restrained by other means.

LOAD CASE(S)	Standard
1)	Dead + Floor Live (balanced): Lumber Increase=1.00, Plate Increase=1.00 Uniform Loads (lb/ft) Vert: 13-22=-10, 1-5=-100, 5-25=-140, 12-25=-176



This design is based upon parameters shown, and is for an individual building component to be installed and loaded vertically. Applicability of design parameters and proper incorporation of component is responsibility of the Building Designer. Building Designer shall verify all design information on this sheet for conformance with conditions and requirements of the specific building and governing codes and ordinances. Building Designer accepts responsibility for the correctness or accuracy of the design information as it may relate to a specific building. Certification is valid only when truss is fabricated by a UFPI plant. Bracing shown is for lateral support of truss members only and does not replace erection and permanent bracing. Refer to Building Component Safety Information (BCSI) for general guidance regarding storage, erection and bracing available from SBCA and Truss Plate Institute.



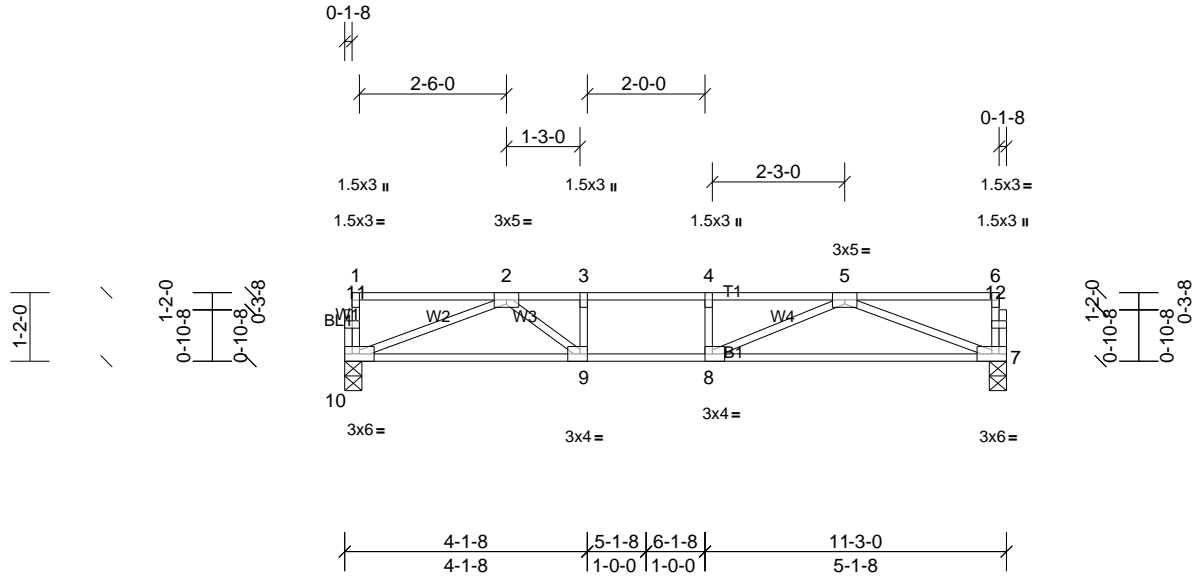
Job 72500435	Truss F204	Truss Type Truss	Qty 2	Ply 1	MUNGO HOMES - TELFAIR 2ND FLR Job Reference (optional)
-----------------	---------------	---------------------	----------	----------	---

UFP Mid Atlantic LLC, 5631 S. NC 62, Burlington, NC, Joy Perry

Run: 8.81 S Sep 13 2024 Print: 8.810 S Sep 13 2024 MiTek Industries, Inc. Tue Jan 07 11:44:27

Page: 1

ID:a?q6?71yTv6SHVH?OlZqv2z8gqv-Hmm3UYMIplUwm9d3S9B1HR8LtmS?uNKzjIQZxzmil



Scale = 1:39.3

Plate Offsets (X, Y): [8:0-1-8,Edge], [9:0-1-8,Edge]

Loading	(psf)	Spacing	2-0-0	CSI	DEFL	in	(loc)	l/defl	L/d	PLATES	GRIP	
TCLL	40.0	Plate Grip DOL	1.00	TC	0.86	Vert(LL)	-0.15	7-8	>859	480	MT20	244/190
TCDL	30.0	Lumber DOL	1.00	BC	0.86	Vert(CT)	-0.29	7-8	>454	360		
BCLL	0.0	Rep Stress Incr	YES	WB	0.48	Horz(CT)	0.03	7	n/a	n/a		
BCDL	5.0	Code	IRC2015/TPI2014	Matrix-SH							Weight: 55 lb	FT = 20%F, 12%E

LUMBER		BRACING	
TOP CHORD	2x4 SP No.2(flat)	TOP CHORD	Structural wood sheathing directly applied or 5-6-0 oc purlins, except end verticals.
BOT CHORD	2x4 SP No.2(flat)	BOT CHORD	Rigid ceiling directly applied or 10-0-0 oc bracing.
WEBS	2x4 SP No.3(flat)		
OTHERS	2x4 SP No.3(flat)		

REACTIONS (lb/size) 7=816/0-3-8, (min. 0-1-8), 10=816/0-3-8, (min. 0-1-8)

FORCES (lb) - Max. Comp./Max. Ten. - All forces 250 (lb) or less except when shown.

TOP CHORD 2-3=-2128/0, 3-4=-2128/0, 4-5=-2128/0
 BOT CHORD 9-10=0/1647, 8-9=0/2128, 7-8=0/1639
 WEBS 3-9=-377/0, 2-10=-1762/0, 2-9=0/751, 5-7=-1754/0, 5-8=0/668

- NOTES**
- Unbalanced floor live loads have been considered for this design.
 - This truss is designed in accordance with the 2015 International Residential Code sections R502.11.1 and R802.10.2 and referenced standard ANSI/TPI 1.
 - Recommend 2x6 strongbacks, on edge, spaced at 10-00-00 oc and fastened to each truss with 3-10d (0.131" X 3") nails. Strongbacks to be attached to walls at their outer ends or restrained by other means.



This design is based upon parameters shown, and is for an individual building component to be installed and loaded vertically. Applicability of design parameters and proper incorporation of component is responsibility of the Building Designer. Building Designer shall verify all design information on this sheet for conformance with conditions and requirements of the specific building and governing codes and ordinances. Building Designer accepts responsibility for the correctness or accuracy of the design information as it may relate to a specific building. Certification is valid only when truss is fabricated by a UFPI plant. Bracing shown is for lateral support of truss members only and does not replace erection and permanent bracing. Refer to Building Component Safety Information (BCSI) for general guidance regarding storage, erection and bracing available from SBCA and Truss Plate Institute.



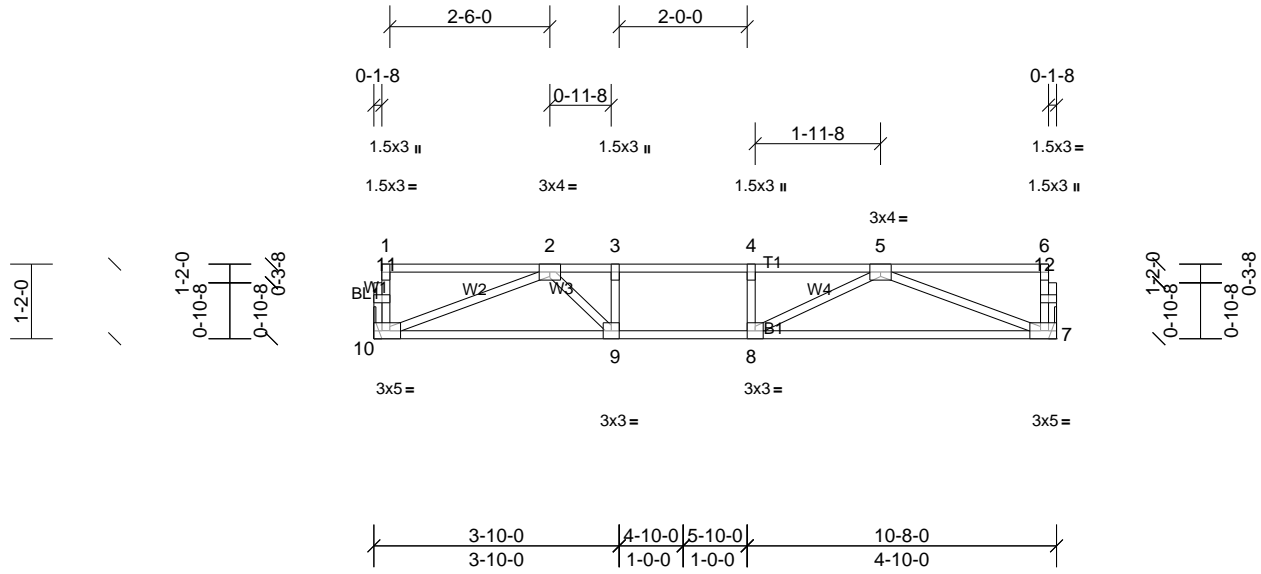
Job 72500435	Truss F205	Truss Type Truss	Qty 3	Ply 1	MUNGO HOMES - TELFAIR 2ND FLR Job Reference (optional)
-----------------	---------------	---------------------	----------	----------	---

UFP Mid Atlantic LLC, 5631 S. NC 62, Burlington, NC, Joy Perry

Run: 8.81 S Sep 13 2024 Print: 8.810 S Sep 13 2024 MiTek Industries, Inc. Tue Jan 07 11:44:27

Page: 1

ID:a?q6?71yTv6SHVH?OlZqv2z8gqv-Hmm3UYMlplUwm9d3S9B1HRBitqa?wkKzjIQZxzmil



Scale = 1:36.2

Plate Offsets (X, Y): [7:0-2-0,Edge], [10:0-2-0,Edge]

Loading	(psf)	Spacing	2-0-0	CSI	DEFL	in	(loc)	l/defl	L/d	PLATES	GRIP	
TCLL	40.0	Plate Grip DOL	1.00	TC	0.65	Vert(LL)	-0.12	7-8	>999	480	MT20	244/190
TCDL	10.0	Lumber DOL	1.00	BC	0.59	Vert(CT)	-0.19	7-8	>647	360		
BCLL	0.0	Rep Stress Incr	YES	WB	0.33	Horz(CT)	0.02	7	n/a	n/a		
BCDL	5.0	Code	IRC2015/TPI2014	Matrix-SH							Weight: 52 lb	FT = 20%F, 12%E

LUMBER		BRACING	
TOP CHORD	2x4 SP No.2(flat)	TOP CHORD	Structural wood sheathing directly applied or 6-0-0 oc purlins, except end verticals.
BOT CHORD	2x4 SP No.2(flat)	BOT CHORD	Rigid ceiling directly applied or 10-0-0 oc bracing.
WEBS	2x4 SP No.3(flat)		
OTHERS	2x4 SP No.3(flat)		

REACTIONS	(lb/size)	7=567/ Mechanical, (min. 0-1-8), 10=567/ Mechanical, (min. 0-1-8)
FORCES	(lb) - Max. Comp./Max. Ten. - All forces 250 (lb) or less except when shown.	
TOP CHORD	2-3=-1396/0, 3-4=-1396/0, 4-5=-1396/0	
BOT CHORD	9-10=0/1129, 8-9=0/1396, 7-8=0/1112	
WEBS	3-9=-308/0, 2-10=-1207/0, 2-9=0/534, 5-7=-1190/0, 5-8=0/458	

- NOTES**
- Unbalanced floor live loads have been considered for this design.
 - This truss is designed in accordance with the 2015 International Residential Code sections R502.11.1 and R802.10.2 and referenced standard ANSI/TPI 1.
 - Recommend 2x6 strongbacks, on edge, spaced at 10-00-00 oc and fastened to each truss with 3-10d (0.131" X 3") nails. Strongbacks to be attached to walls at their outer ends or restrained by other means.



This design is based upon parameters shown, and is for an individual building component to be installed and loaded vertically. Applicability of design parameters and proper incorporation of component is responsibility of the Building Designer. Building Designer shall verify all design information on this sheet for conformance with conditions and requirements of the specific building and governing codes and ordinances. Building Designer accepts responsibility for the correctness or accuracy of the design information as it may relate to a specific building. Certification is valid only when truss is fabricated by a UFPI plant. Bracing shown is for lateral support of truss members only and does not replace erection and permanent bracing. Refer to Building Component Safety Information (BCSI) for general guidance regarding storage, erection and bracing available from SBCA and Truss Plate Institute.



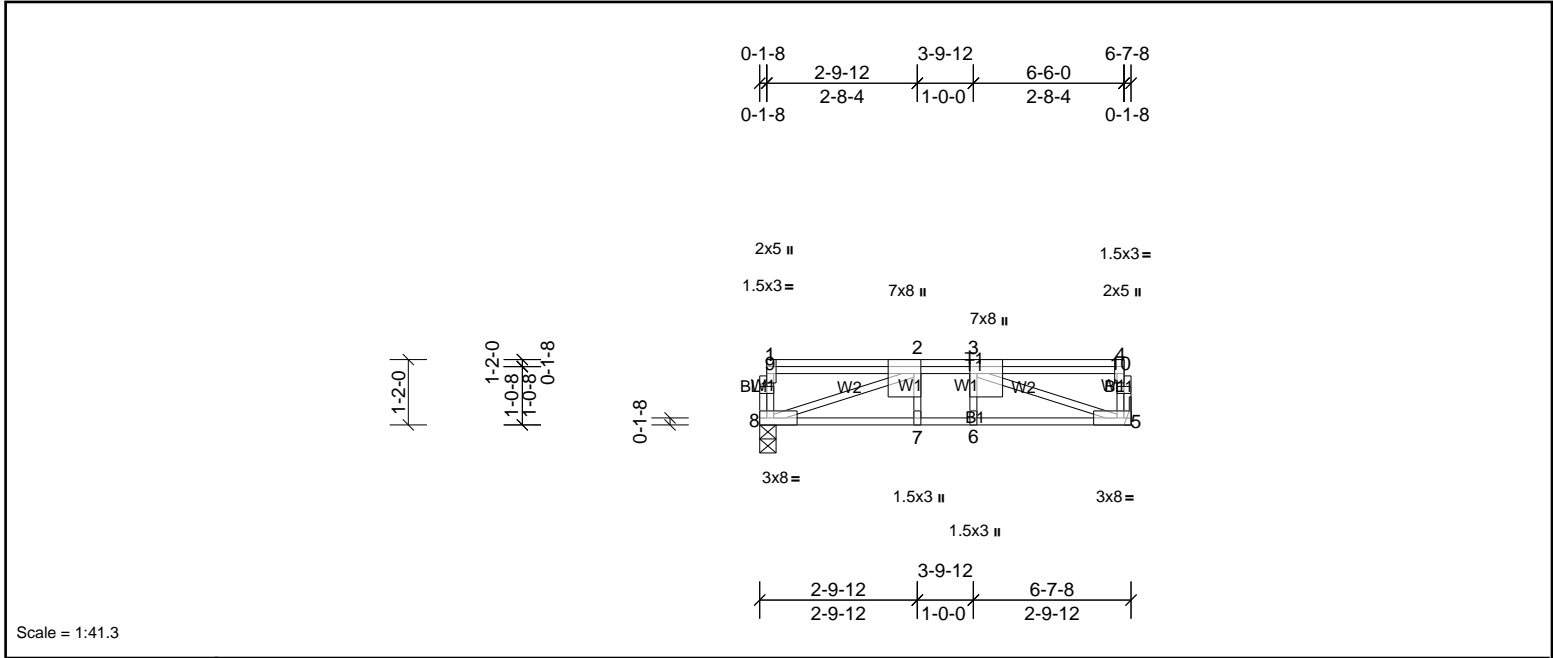
Job 72500435	Truss F206	Truss Type Truss	Qty 1	Ply 1	MUNGO HOMES - TELFAIR 2ND FLR Job Reference (optional)
-----------------	---------------	---------------------	----------	----------	---

UFP Mid Atlantic LLC, 5631 S. NC 62, Burlington, NC, Joy Perry

Run: 8.81 S Sep 13 2024 Print: 8.810 S Sep 13 2024 MiTek Industries, Inc. Tue Jan 07 11:44:27

Page: 1

ID:a?q6?71yTv6SHVH?OIZqv2z8gqv-Hmm3UYMlplUwm9d3S9B1HRBNtmX?qwKzjIQZxzmil



Scale = 1:41.3

Plate Offsets (X, Y): [2:0-3-0,Edge], [3:0-3-0,Edge], [4:0-3-0,Edge]

Loading	(psf)	Spacing	2-0-0	CSI	DEFL	in	(loc)	l/defl	L/d	PLATES	GRIP	
TCLL	40.0	Plate Grip DOL	1.00	TC	0.67	Vert(LL)	-0.09	5-6	>865	480	MT20	244/190
TCDL	10.0	Lumber DOL	1.00	BC	0.85	Vert(CT)	-0.12	5-6	>623	360		
BCLL	0.0	Rep Stress Incr	YES	WB	0.77	Horz(CT)	0.02	5	n/a	n/a		
BCDL	5.0	Code	IRC2015/TPI2014	Matrix-SH							Weight: 44 lb	FT = 20%F, 12%E

LUMBER	BRACING
TOP CHORD 2x4 SP No.2(flat)	TOP CHORD Structural wood sheathing directly applied or 6-0-0 oc purlins, except end verticals.
BOT CHORD 2x4 SP No.1(flat)	BOT CHORD Rigid ceiling directly applied or 10-0-0 oc bracing.
WEBS 2x4 SP No.3(flat)	
OTHERS 2x4 SP No.3(flat)	

REACTIONS (lb/size) 5=1247/ Mechanical, (min. 0-1-8), 8=1002/0-3-8, (min. 0-1-8)

FORCES (lb) - Max. Comp./Max. Ten. - All forces 250 (lb) or less except when shown.
 TOP CHORD 5-10=-254/0, 4-10=-253/0, 2-3=-2660/0
 BOT CHORD 7-8=0/2660, 6-7=0/2660, 5-6=0/2660
 WEBS 2-8=-2829/0, 3-5=-2815/0

- NOTES**
- 1) Unbalanced floor live loads have been considered for this design.
 - 2) This truss is designed in accordance with the 2015 International Residential Code sections R502.11.1 and R802.10.2 and referenced standard ANSI/TPI 1.
 - 3) Recommend 2x6 strongbacks, on edge, spaced at 10-00-00 oc and fastened to each truss with 3-10d (0.131" X 3") nails. Strongbacks to be attached to walls at their outer ends or restrained by other means.

LOAD CASE(S) Standard
 1) Dead + Floor Live (balanced): Lumber Increase=1.00, Plate Increase=1.00
 Uniform Loads (lb/ft)
 Vert: 5-8=-10, 1-4=-100
 Concentrated Loads (lb)
 Vert: 3=-1560



This design is based upon parameters shown, and is for an individual building component to be installed and loaded vertically. Applicability of design parameters and proper incorporation of component is responsibility of the Building Designer. Building Designer shall verify all design information on this sheet for conformance with conditions and requirements of the specific building and governing codes and ordinances. Building Designer accepts responsibility for the correctness or accuracy of the design information as it may relate to a specific building. Certification is valid only when truss is fabricated by a UFPI plant. Bracing shown is for lateral support of truss members only and does not replace erection and permanent bracing. Refer to Building Component Safety Information (BCSI) for general guidance regarding storage, erection and bracing available from SBCA and Truss Plate Institute.



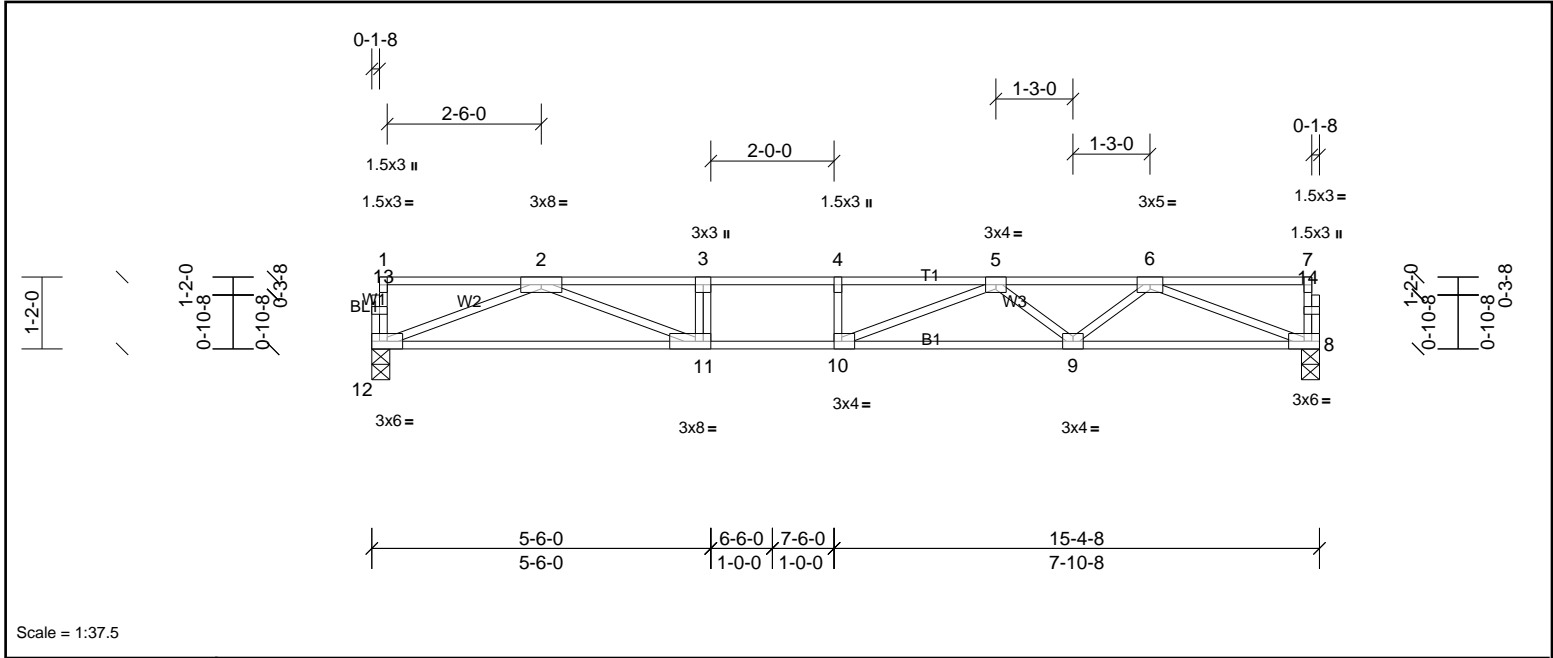
Job 72500435	Truss F207	Truss Type Truss	Qty 2	Ply 1	MUNGO HOMES - TELFAIR 2ND FLR Job Reference (optional)
-----------------	---------------	---------------------	----------	----------	---

UFP Mid Atlantic LLC, 5631 S. NC 62, Burlington, NC, Joy Perry

Run: 8.81 S Sep 13 2024 Print: 8.810 S Sep 13 2024 MiTek Industries, Inc. Tue Jan 07 11:44:27

Page: 1

ID:a?q6?71yTv6SHVH?OIZqvZz8gqv-Hmm3UYMliplUwm9d3S9B1HRAvtpL?rsKzjIQZxzmil



Scale = 1:37.5

Plate Offsets (X, Y):	[10:0-1-8,Edge], [11:0-3-0,Edge]											
Loading	(psf)	Spacing	1-7-3	CSI		DEFL	in	(loc)	l/defl	L/d	PLATES	GRIP
TCLL	40.0	Plate Grip DOL	1.00	TC	0.76	Vert(LL)	-0.26	9-10	>694	480	MT20	244/190
TCDL	30.0	Lumber DOL	1.00	BC	0.67	Vert(CT)	-0.45	9-10	>402	360		
BCLL	0.0	Rep Stress Incr	YES	WB	0.64	Horz(CT)	0.05	8	n/a	n/a		
BCDL	5.0	Code	IRC2015/TPI2014	Matrix-SH							Weight: 75 lb	FT = 20%F, 12%E

LUMBER		BRACING	
TOP CHORD	2x4 SP No.1(flat)	TOP CHORD	Structural wood sheathing directly applied or 5-6-0 oc purlins, except end verticals.
BOT CHORD	2x4 SP SS(flat)	BOT CHORD	Rigid ceiling directly applied or 10-0-0 oc bracing.
WEBS	2x4 SP No.3(flat)		
OTHERS	2x4 SP No.3(flat)		

REACTIONS	(lb/size)	8=900/0-3-8, (min. 0-1-8), 12=900/0-3-8, (min. 0-1-8)
FORCES	(lb) - Max. Comp./Max. Ten. - All forces 250 (lb) or less except when shown.	
TOP CHORD		2-3=-3169/0, 3-4=-3169/0, 4-5=-3169/0, 5-6=-2511/0
BOT CHORD		11-12=0/1944, 10-11=0/3169, 9-10=0/3000, 8-9=0/1947
WEBS		3-11=-378/0, 2-12=-2084/0, 2-11=0/1350, 6-8=-2087/0, 6-9=0/735, 5-9=-636/0, 5-10=-51/486

- NOTES**
- 1) Unbalanced floor live loads have been considered for this design.
 - 2) This truss is designed in accordance with the 2015 International Residential Code sections R502.11.1 and R802.10.2 and referenced standard ANSI/TPI 1.
 - 3) Recommend 2x6 strongbacks, on edge, spaced at 10-00-00 oc and fastened to each truss with 3-10d (0.131" X 3") nails. Strongbacks to be attached to walls at their outer ends or restrained by other means.



This design is based upon parameters shown, and is for an individual building component to be installed and loaded vertically. Applicability of design parameters and proper incorporation of component is responsibility of the Building Designer. Building Designer shall verify all design information on this sheet for conformance with conditions and requirements of the specific building and governing codes and ordinances. Building Designer accepts responsibility for the correctness or accuracy of the design information as it may relate to a specific building. Certification is valid only when truss is fabricated by a UFPI plant. Bracing shown is for lateral support of truss members only and does not replace erection and permanent bracing. Refer to Building Component Safety Information (BCSI) for general guidance regarding storage, erection and bracing available from SBCA and Truss Plate Institute.



Job 72500435	Truss F208	Truss Type Truss	Qty 6	Ply 1	MUNGO HOMES - TELFAIR 2ND FLR Job Reference (optional)
-----------------	---------------	---------------------	----------	----------	---

UFP Mid Atlantic LLC, 5631 S. NC 62, Burlington, NC, Joy Perry

Run: 8.81 S Sep 13 2024 Print: 8.810 S Sep 13 2024 MiTek Industries, Inc. Tue Jan 07 11:44:28

Page: 1

ID:a?q6?71yTv6SHVH?OIZqv2z8gqv-Hmm3UYMiplUwm9d3S9B1HRAgtpC?iBKzjIQZxzmil

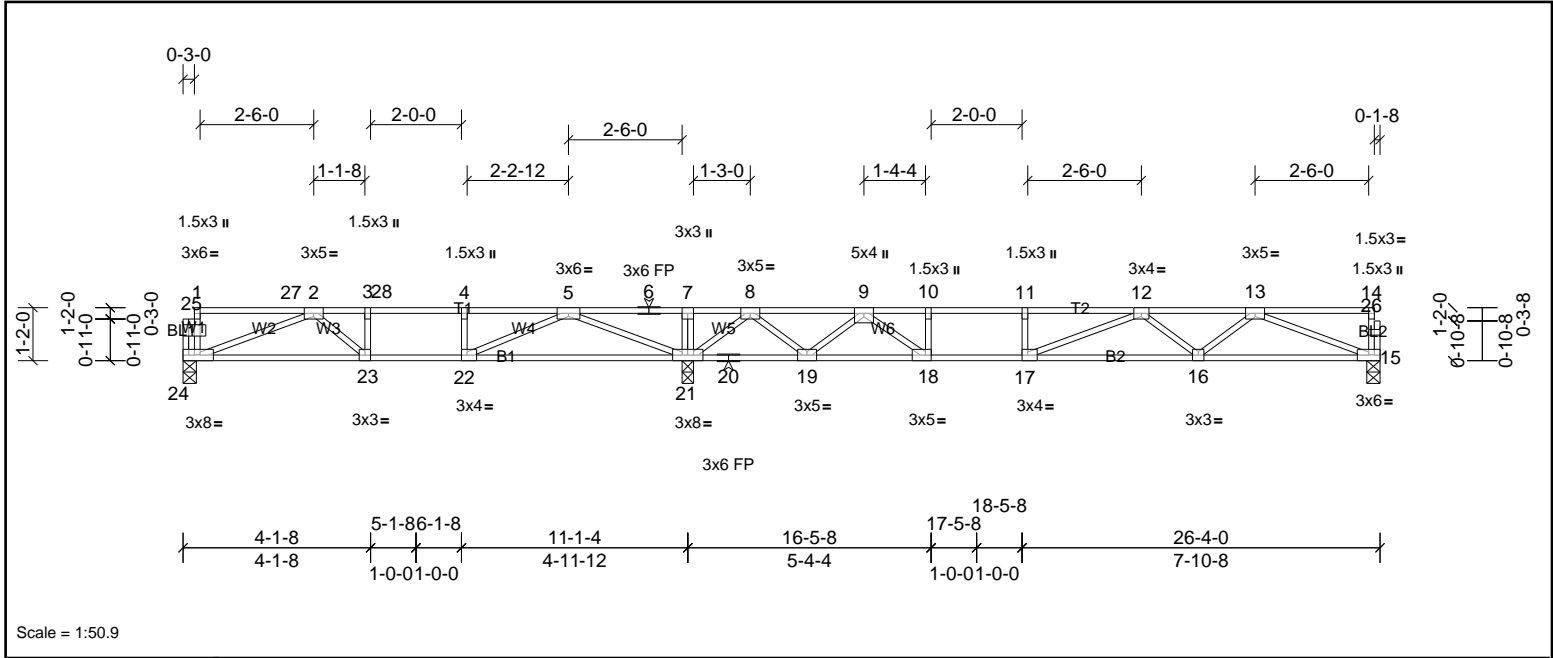


Plate Offsets (X, Y): [17:0-1-8,Edge], [18:0-1-8,Edge], [22:0-1-8,Edge], [24:0-3-8,Edge]

Loading	(psf)	Spacing	2-0-0	CSI	DEFLL	in	(loc)	l/defl	L/d	PLATES	GRIP	
TCLL	40.0	Plate Grip DOL	1.00	TC	0.74	Vert(LL)	-0.26	16-17	>686	480	MT20	244/190
TCDL	10.0	Lumber DOL	1.00	BC	0.68	Vert(CT)	-0.37	16-17	>495	360		
BCLL	0.0	Rep Stress Incr	NO	WB	0.56	Horz(CT)	0.04	15	n/a	n/a		
BCDL	5.0	Code	IRC2015/TPI2014	Matrix-SH							Weight: 128 lb	FT = 20%F, 12%E

LUMBER
TOP CHORD 2x4 SP SS(flat)
BOT CHORD 2x4 SP SS(flat)
WEBS 2x4 SP No.3(flat)
OTHERS 2x4 SP No.3(flat)

BRACING
TOP CHORD Structural wood sheathing directly applied or 6-0-0 oc purlins, except end verticals.
BOT CHORD Rigid ceiling directly applied or 10-0-0 oc bracing, Except: 6-0-0 oc bracing: 19-21,18-19.

REACTIONS (lb/size) 15=733/0-3-8, (min. 0-1-8), 21=1896/0-3-0, (min. 0-1-8), 24=719/0-3-8, (min. 0-1-8)
Max Grav 15=760 (LC 14), 21=1896 (LC 1), 24=765 (LC 8)

FORCES (lb) - Max. Comp./Max. Ten. - All forces 250 (lb) or less except when shown.
TOP CHORD 2-3=-1790/0, 3-28=-1790/0, 4-28=-1790/0, 4-5=-1790/0, 5-6=0/1362, 6-7=0/1362, 7-8=0/1352, 8-9=-888/270, 9-10=-2383/0, 10-11=-2383/0, 11-12=-2383/0, 12-13=-2072/0
BOT CHORD 23-24=0/1551, 22-23=0/1790, 21-22=0/979, 20-21=-518/178, 19-20=-518/178, 18-19=-9/1640, 17-18=0/2383, 16-17=0/2434, 15-16=0/1619
WEBS 4-22=-382/0, 10-18=-440/0, 7-21=-291/0, 2-24=-1644/0, 2-23=0/318, 5-21=-2040/0, 5-22=0/1064, 8-21=-1349/0, 8-19=0/964, 9-19=-1047/0, 9-18=0/1097, 13-15=-1735/0, 13-16=0/590, 12-16=-471/0, 12-17=-337/179

- NOTES**
- 1) Unbalanced floor live loads have been considered for this design.
 - 2) This truss is designed in accordance with the 2015 International Residential Code sections R502.11.1 and R802.10.2 and referenced standard ANSI/TPI 1.
 - 3) Load case(s) 1 has/have been modified. Building designer must review loads to verify that they are correct for the intended use of this truss.
 - 4) Recommend 2x6 strongbacks, on edge, spaced at 10-00-00 oc and fastened to each truss with 3-10d (0.131" X 3") nails. Strongbacks to be attached to walls at their outer ends or restrained by other means.
 - 5) CAUTION, Do not erect truss backyards.

LOAD CASE(S) Standard
1) Dead + Floor Live (balanced): Lumber Increase=1.00, Plate Increase=1.00
Uniform Loads (lb/ft)
Vert: 15-24=-10, 1-27=-140, 27-28=-176, 7-28=-140, 7-14=-100



This design is based upon parameters shown, and is for an individual building component to be installed and loaded vertically. Applicability of design parameters and proper incorporation of component is responsibility of the Building Designer. Building Designer shall verify all design information on this sheet for conformance with conditions and requirements of the specific building and governing codes and ordinances. Building Designer accepts responsibility for the correctness or accuracy of the design information as it may relate to a specific building. Certification is valid only when truss is fabricated by a UFPI plant. Bracing shown is for lateral support of truss members only and does not replace erection and permanent bracing. Refer to Building Component Safety Information (BCSI) for general guidance regarding storage, erection and bracing available from SBCA and Truss Plate Institute.



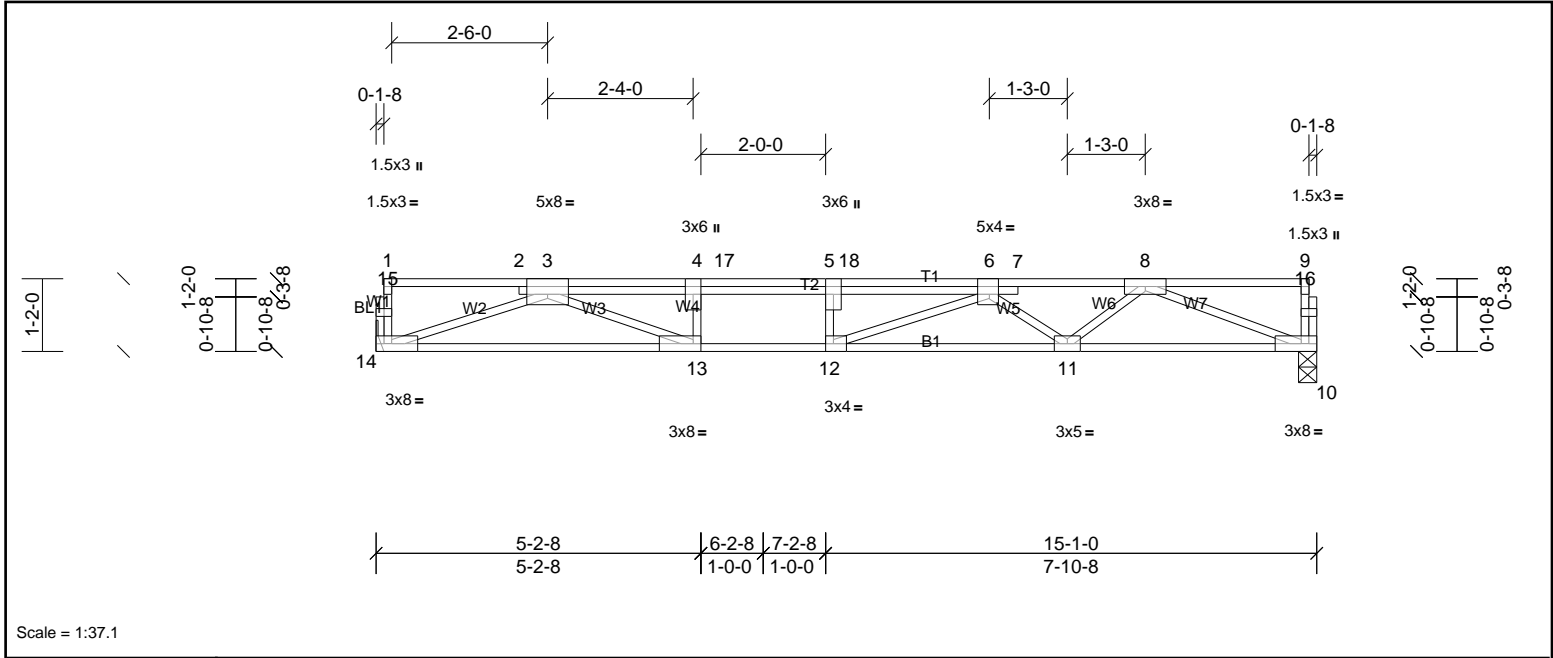
Job 72500435	Truss F209	Truss Type Truss	Qty 5	Ply 1	MUNGO HOMES - TELFAIR 2ND FLR Job Reference (optional)
-----------------	---------------	---------------------	----------	----------	---

UFP Mid Atlantic LLC, 5631 S. NC 62, Burlington, NC, Joy Perry

Run: 8.81 S Sep 13 2024 Print: 8.810 S Sep 13 2024 MiTek Industries, Inc. Tue Jan 07 11:44:28

Page: 1

ID:a?q6?71yTv6SHVH?OIZqv2z8gqv-lyKShuNNT7tLXwkpdAgQZU_HNH9okEeTCNUz6zzxmiH



Scale = 1:37.1

Plate Offsets (X, Y):	[3:0-4-0,Edge], [5:0-3-0,Edge], [6:0-1-12,Edge], [12:0-1-8,Edge], [13:0-1-8,Edge]											
Loading	(psf)	Spacing	2-0-0	CSI		DEFL	in	(loc)	l/defl	L/d	PLATES	GRIP
TCLL	40.0	Plate Grip DOL	1.00	TC	0.97	Vert(LL)	-0.19	11-12	>925	480	MT20	244/190
TCDL	30.0	Lumber DOL	1.00	BC	0.66	Vert(CT)	-0.38	11-12	>464	360		
BCLL	0.0	Rep Stress Incr	NO	WB	0.86	Horz(CT)	0.06	10	n/a	n/a		
BCDL	5.0	Code	IRC2015/TPI2014	Matrix-SH							Weight: 84 lb	FT = 20%F, 12%E

LUMBER		BRACING	
TOP CHORD	2x4 SP No.2(flat)	TOP CHORD	Structural wood sheathing directly applied or 4-1-9 oc purlins, except end verticals.
BOT CHORD	2x4 SP SS(flat)	BOT CHORD	Rigid ceiling directly applied or 10-0-0 oc bracing.
WEBS	2x4 SP No.3(flat)		
OTHERS	2x4 SP No.3(flat)		

REACTIONS	(lb/size)	10=1135/0-3-8, (min. 0-1-8), 14=1144/ Mechanical, (min. 0-1-8)
FORCES	(lb) - Max. Comp./Max. Ten. - All forces 250 (lb) or less except when shown.	
TOP CHORD		3-4=-4248/0, 4-17=-4248/0, 5-17=-4248/0, 5-18=-4248/0, 6-18=-4248/0, 6-7=-3187/0, 7-8=-3188/0
BOT CHORD		13-14=0/2649, 12-13=0/4248, 11-12=0/3909, 10-11=0/2439
WEBS		4-13=-584/0, 3-14=-2818/0, 3-13=0/1816, 8-10=-2614/0, 8-11=0/975, 6-11=-917/0, 6-12=0/710

- NOTES**
- Unbalanced floor live loads have been considered for this design.
 - This truss is designed in accordance with the 2015 International Residential Code sections R502.11.1 and R802.10.2 and referenced standard ANSI/TPI 1.
 - Load case(s) 1 has/have been modified. Building designer must review loads to verify that they are correct for the intended use of this truss.
 - Recommend 2x6 strongbacks, on edge, spaced at 10-00-00 oc and fastened to each truss with 3-10d (0.131" X 3") nails. Strongbacks to be attached to walls at their outer ends or restrained by other means.
- LOAD CASE(S)** Standard
- Dead + Floor Live (balanced): Lumber Increase=1.00, Plate Increase=1.00
Uniform Loads (lb/ft)
Vert: 10-14=-10, 1-17=-140, 17-18=-176, 9-18=-140



This design is based upon parameters shown, and is for an individual building component to be installed and loaded vertically. Applicability of design parameters and proper incorporation of component is responsibility of the Building Designer. Building Designer shall verify all design information on this sheet for conformance with conditions and requirements of the specific building and governing codes and ordinances. Building Designer accepts responsibility for the correctness or accuracy of the design information as it may relate to a specific building. Certification is valid only when truss is fabricated by a UFPI plant. Bracing shown is for lateral support of truss members only and does not replace erection and permanent bracing. Refer to Building Component Safety Information (BCSI) for general guidance regarding storage, erection and bracing available from SBCA and Truss Plate Institute.



Job 72500435	Truss F210	Truss Type Truss	Qty 2	Ply 1	MUNGO HOMES - TELFAIR 2ND FLR Job Reference (optional)
-----------------	---------------	---------------------	----------	----------	---

UFP Mid Atlantic LLC, 5631 S. NC 62, Burlington, NC, Joy Perry

Run: 8.81 S Sep 13 2024 Print: 8.810 S Sep 13 2024 MiTek Industries, Inc. Tue Jan 07 11:44:28

Page: 1

ID:a?q6?71yTv6SHVH?OIZqvZz8gqv-lyKShuNNT7tLXwkpAgQZU_KaH58kIHTCNUz6zxmih

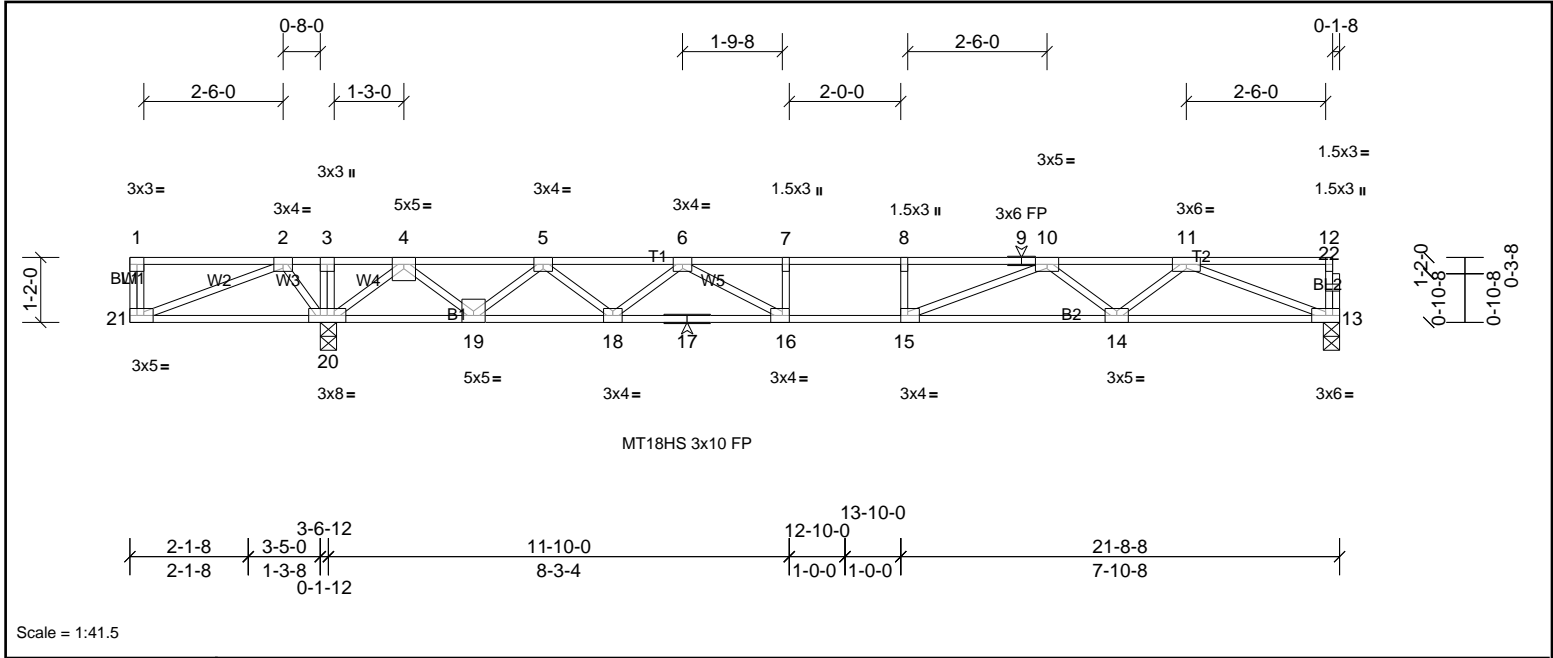


Plate Offsets (X, Y): [15:0-1-8,Edge], [16:0-1-8,Edge], [21:0-2-0,Edge]

Loading	(psf)	Spacing	2-0-0	CSI	DEFLL	in	(loc)	l/defl	L/d	PLATES	GRIP	
TCLL	40.0	Plate Grip DOL	1.00	TC	0.83	Vert(LL)	-0.35	15-16	>621	480	MT18HS	244/190
TCDL	10.0	Lumber DOL	1.00	BC	0.95	Vert(CT)	-0.46	15-16	>467	360	MT20	244/190
BCLL	0.0	Rep Stress Incr	YES	WB	0.63	Horz(CT)	0.07	13	n/a	n/a		
BCDL	5.0	Code	IRC2015/TPI2014	Matrix-SH								
											Weight: 108 lb	FT = 20%F, 12%E

LUMBER	BRACING
TOP CHORD 2x4 SP No.2(flat)	TOP CHORD Structural wood sheathing directly applied or 2-2-0 oc purlins, except end verticals.
BOT CHORD 2x4 SP No.1(flat)	BOT CHORD Rigid ceiling directly applied or 2-2-0 oc bracing.
WEBS 2x4 SP No.3(flat)	
OTHERS 2x4 SP No.3(flat)	

REACTIONS	(lb/size)	13=949/0-3-8, (min. 0-1-8), 20=1405/0-3-8, (min. 0-1-8)
	Max Grav	13=975 (LC 4), 20=1405 (LC 1)

FORCES	(lb) - Max. Comp./Max. Ten. - All forces 250 (lb) or less except when shown.
TOP CHORD	2-3=0/612, 3-4=0/611, 4-5=-1942/0, 5-6=-3330/0, 6-7=-4164/0, 7-8=-4164/0, 8-9=-4164/0, 9-10=-4164/0, 10-11=-2838/0
BOT CHORD	20-21=-298/0, 19-20=-239/1071, 18-19=0/2794, 17-18=0/3825, 16-17=0/3825, 15-16=0/4164, 14-15=0/3474, 13-14=0/2152
WEBS	7-16=-278/0, 8-15=-256/0, 2-21=0/320, 2-20=-514/0, 4-20=-1585/0, 4-19=0/1175, 5-19=-1146/0, 5-18=0/732, 6-18=-692/0, 6-16=-50/851, 11-13=-2309/0, 11-14=0/893, 10-14=-828/0, 10-15=0/1001

- NOTES**
- 1) Unbalanced floor live loads have been considered for this design.
 - 2) All plates are MT20 plates unless otherwise indicated.
 - 3) This truss is designed in accordance with the 2015 International Residential Code sections R502.11.1 and R802.10.2 and referenced standard ANSI/TPI 1.
 - 4) Recommend 2x6 strongbacks, on edge, spaced at 10-00-00 oc and fastened to each truss with 3-10d (0.131" X 3") nails. Strongbacks to be attached to walls at their outer ends or restrained by other means.
 - 5) CAUTION, Do not erect truss backwards.



This design is based upon parameters shown, and is for an individual building component to be installed and loaded vertically. Applicability of design parameters and proper incorporation of component is responsibility of the Building Designer. Building Designer shall verify all design information on this sheet for conformance with conditions and requirements of the specific building and governing codes and ordinances. Building Designer accepts responsibility for the correctness or accuracy of the design information as it may relate to a specific building. Certification is valid only when truss is fabricated by a UFPI plant. Bracing shown is for lateral support of truss members only and does not replace erection and permanent bracing. Refer to Building Component Safety Information (BCSI) for general guidance regarding storage, erection and bracing available from SBCA and Truss Plate Institute.



Job 72500435	Truss F211	Truss Type Truss	Qty 3	Ply 1	MUNGO HOMES - TELFAIR 2ND FLR Job Reference (optional)
-----------------	---------------	---------------------	----------	----------	---

UFP Mid Atlantic LLC, 5631 S. NC 62, Burlington, NC, Joy Perry

Run: 8.81 S Sep 13 2024 Print: 8.810 S Sep 13 2024 MiTek Industries, Inc. Tue Jan 07 11:44:28

Page: 1

ID:a?q6?71yTv6SHVH?OIzqv2z8gqv-lyKShuNNT7tLXwkpdAgQZU_JCH4OkIATCNUz6zzxmiH

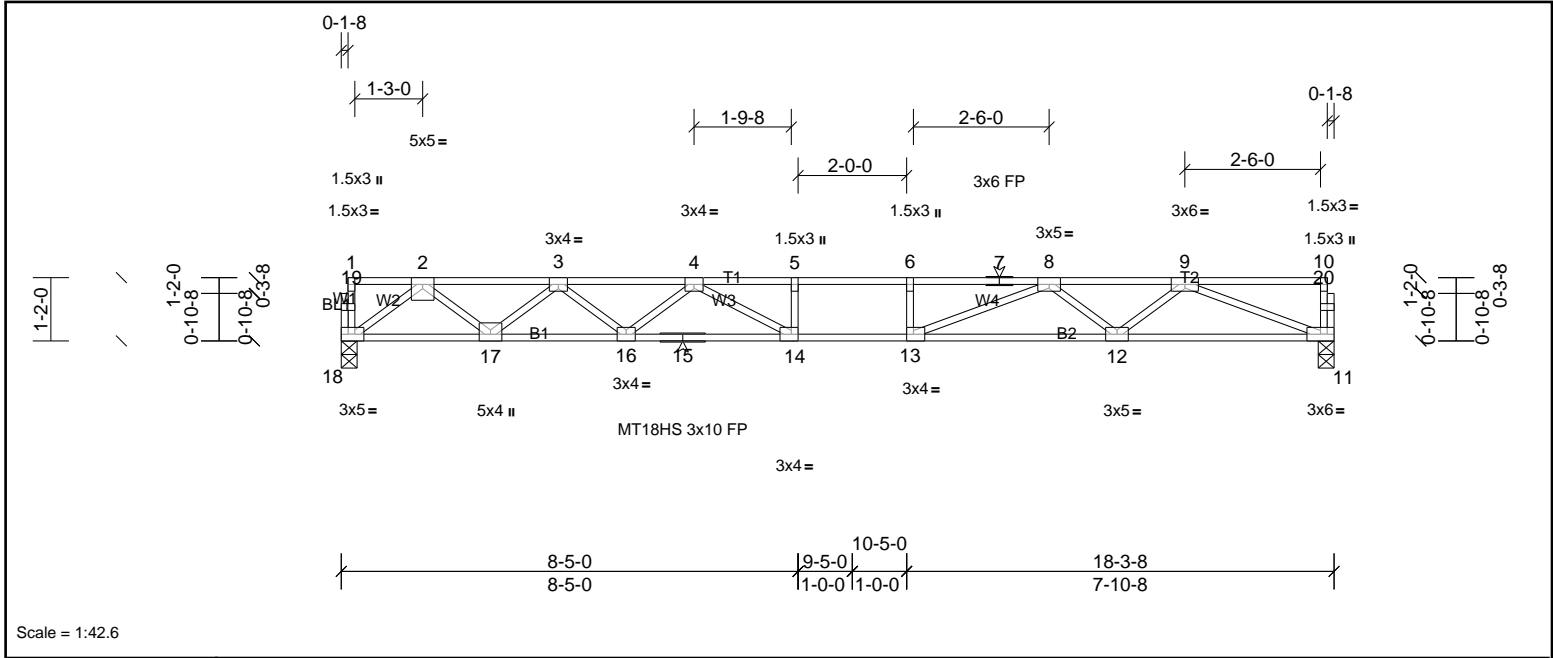


Plate Offsets (X, Y): [13:0-1-8,Edge], [14:0-1-8,Edge], [18:0-2-0,Edge]

Loading	(psf)	Spacing	2-0-0	CSI	DEFL	in	(loc)	l/defl	L/d	PLATES	GRIP	
TCLL	40.0	Plate Grip DOL	1.00	TC	0.85	Vert(LL)	-0.35	13-14	>619	480	MT18HS	244/190
TCDL	10.0	Lumber DOL	1.00	BC	1.00	Vert(CT)	-0.48	14	>450	360	MT20	244/190
BCLL	0.0	Rep Stress Incr	YES	WB	0.64	Horz(CT)	0.08	11	n/a	n/a		
BCDL	5.0	Code	IRC2015/TPI2014	Matrix-SH							Weight: 89 lb	FT = 20%F, 12%E

LUMBER	BRACING
TOP CHORD 2x4 SP No.2(flat)	TOP CHORD Structural wood sheathing directly applied or 2-2-0 oc purlins, except end verticals.
BOT CHORD 2x4 SP No.1(flat)	BOT CHORD Rigid ceiling directly applied or 1-4-12 oc bracing.
WEBS 2x4 SP No.3(flat)	
OTHERS 2x4 SP No.3(flat)	

REACTIONS	(lb/size)	11=986/0-3-8, (min. 0-1-8), 18=986/0-3-8, (min. 0-1-8)
FORCES	(lb) - Max. Comp./Max. Ten. - All forces 250 (lb) or less except when shown.	
TOP CHORD	2-3=-2102/0, 3-4=-3461/0, 4-5=-4251/0, 5-6=-4251/0, 6-7=-4251/0, 7-8=-4251/0, 8-9=-2876/0	
BOT CHORD	17-18=0/1235, 16-17=0/2938, 15-16=0/3943, 14-15=0/3943, 13-14=0/4251, 12-13=0/3525, 11-12=0/2178	
WEBS	6-13=-264/0, 2-18=-1547/0, 2-17=0/1128, 3-17=-1089/0, 3-16=0/680, 4-16=-627/0, 4-14=-84/732, 9-11=-2337/0, 9-12=0/908, 8-12=-845/0, 8-13=0/1040	

- NOTES**
- 1) Unbalanced floor live loads have been considered for this design.
 - 2) All plates are MT20 plates unless otherwise indicated.
 - 3) This truss is designed in accordance with the 2015 International Residential Code sections R502.11.1 and R802.10.2 and referenced standard ANSI/TPI 1.
 - 4) Recommend 2x6 strongbacks, on edge, spaced at 10-00-00 oc and fastened to each truss with 3-10d (0.131" X 3") nails. Strongbacks to be attached to walls at their outer ends or restrained by other means.



This design is based upon parameters shown, and is for an individual building component to be installed and loaded vertically. Applicability of design parameters and proper incorporation of component is responsibility of the Building Designer. Building Designer shall verify all design information on this sheet for conformance with conditions and requirements of the specific building and governing codes and ordinances. Building Designer accepts responsibility for the correctness or accuracy of the design information as it may relate to a specific building. Certification is valid only when truss is fabricated by a UFPI plant. Bracing shown is for lateral support of truss members only and does not replace erection and permanent bracing. Refer to Building Component Safety Information (BCSI) for general guidance regarding storage, erection and bracing available from SBCA and Truss Plate Institute.



Job 72500435	Truss F212	Truss Type Truss	Qty 3	Ply 1	MUNGO HOMES - TELFAIR 2ND FLR Job Reference (optional)
-----------------	---------------	---------------------	----------	----------	---

UFP Mid Atlantic LLC, 5631 S. NC 62, Burlington, NC, Joy Perry

Run: 8.81 S Sep 13 2024 Print: 8.810 S Sep 13 2024 MiTek Industries, Inc. Tue Jan 07 11:44:29

Page: 1

ID:a?q6?71yTv6SHVH?OlZqv2z8gqv-D8uqvEN?DR?C94J?AtBf6iXUvhPeTk0dR1EXePzxmIG

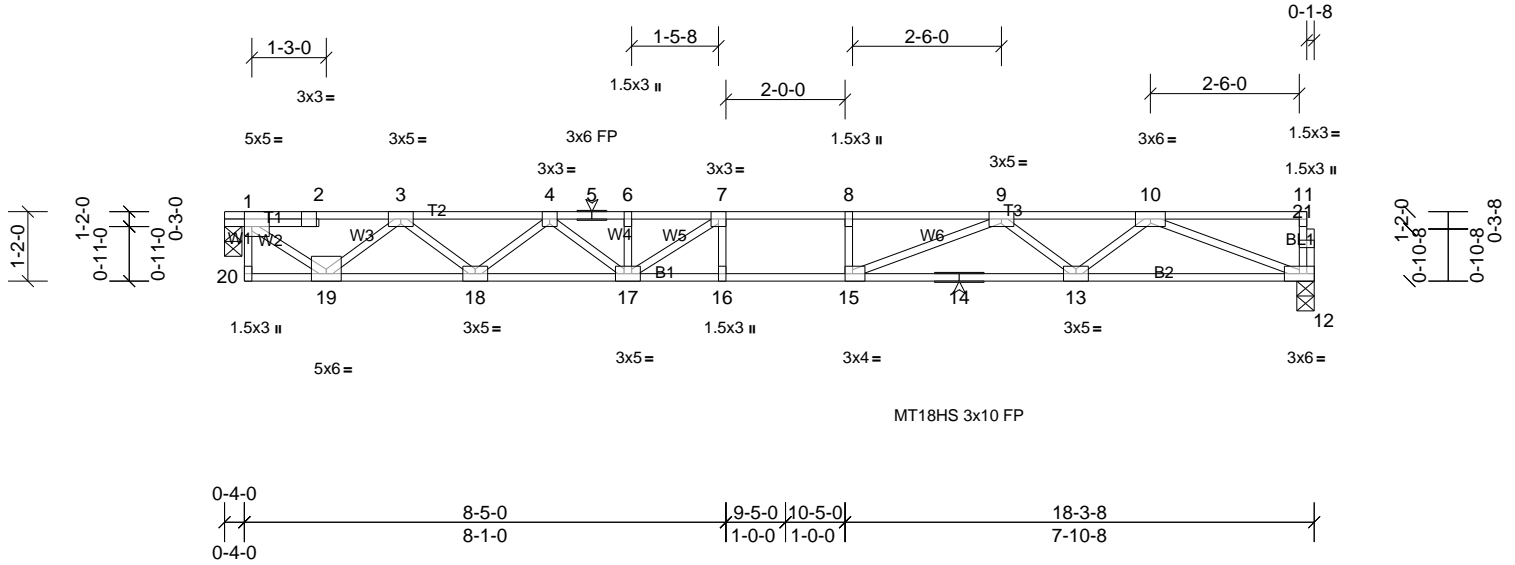


Plate Offsets (X, Y): [1:0-1-8,Edge], [15:0-1-8,Edge]

Loading	(psf)	Spacing	2-0-0	CSI	DEFLL	in	(loc)	l/defl	L/d	PLATES	GRIP	
TCLL	40.0	Plate Grip DOL	1.00	TC	0.79	Vert(LL)	-0.32	15-16	>659	480	MT20	244/190
TCDL	10.0	Lumber DOL	1.00	BC	1.00	Vert(CT)	-0.44	15-16	>479	360	MT18HS	244/190
BCLL	0.0	Rep Stress Incr	YES	WB	0.66	Horz(CT)	0.02	12	n/a	n/a		
BCDL	5.0	Code	IRC2015/TPI2014	Matrix-SH							Weight: 90 lb	FT = 20%F, 12%E

LUMBER

TOP CHORD 2x4 SP No.2(flat)
 BOT CHORD 2x4 SP No.1(flat)
 WEBS 2x4 SP No.3(flat)
 OTHERS 2x4 SP No.3(flat)

BRACING

TOP CHORD Structural wood sheathing directly applied or 4-8-2 oc purlins, except end verticals.
 BOT CHORD Rigid ceiling directly applied or 10-0-0 oc bracing, Except:
 2-2-0 oc bracing: 16-17
 1-4-12 oc bracing: 15-16.

REACTIONS (lb/size) 1=977/0-3-8, (min. 0-1-8), 12=971/0-3-8, (min. 0-1-8)

FORCES (lb) - Max. Comp./Max. Ten. - All forces 250 (lb) or less except when shown.
 TOP CHORD 1-2=-1123/0, 2-3=-1119/0, 3-4=-2770/0, 4-5=-3829/0, 5-6=-3829/0, 6-7=-3829/0, 7-8=-4128/0, 8-9=-4128/0, 9-10=-2823/0
 BOT CHORD 18-19=0/2095, 17-18=0/3415, 16-17=0/4128, 15-16=0/4128, 14-15=0/3453, 13-14=0/3453, 12-13=0/2142
 WEBS 1-19=0/1396, 3-19=-1271/0, 3-18=0/879, 4-18=-839/0, 4-17=0/529, 7-17=-752/124, 10-12=-2297/0, 10-13=0/887, 9-13=-821/0, 9-15=0/978

- NOTES**
- 1) Unbalanced floor live loads have been considered for this design.
 - 2) All plates are MT20 plates unless otherwise indicated.
 - 3) This truss is designed in accordance with the 2015 International Residential Code sections R502.11.1 and R802.10.2 and referenced standard ANSI/TPI 1.
 - 4) Recommend 2x6 strongbacks, on edge, spaced at 10-00-00 oc and fastened to each truss with 3-10d (0.131" X 3") nails. Strongbacks to be attached to walls at their outer ends or restrained by other means.
 - 5) Gap between inside of top chord bearing and first diagonal or vertical web shall not exceed 0.500in.
 - 6) CAUTION, Do not erect truss backyards.



This design is based upon parameters shown, and is for an individual building component to be installed and loaded vertically. Applicability of design parameters and proper incorporation of component is responsibility of the Building Designer. Building Designer shall verify all design information on this sheet for conformance with conditions and requirements of the specific building and governing codes and ordinances. Building Designer accepts responsibility for the correctness or accuracy of the design information as it may relate to a specific building. Certification is valid only when truss is fabricated by a UFPI plant. Bracing shown is for lateral support of truss members only and does not replace erection and permanent bracing. Refer to Building Component Safety Information (BCSI) for general guidance regarding storage, erection and bracing available from SBCA and Truss Plate Institute.



Job 72500435	Truss FG1	Truss Type Truss	Qty 1	Ply 1	MUNGO HOMES - TELFAIR 2ND FLR Job Reference (optional)
-----------------	--------------	---------------------	----------	----------	---

UFP Mid Atlantic LLC, 5631 S. NC 62, Burlington, NC, Joy Perry

Run: 8.81 S Sep 13 2024 Print: 8.810 S Sep 13 2024 MiTek Industries, Inc. Tue Jan 07 11:44:29

Page: 1

ID:a?q6?71yTv6SHVH?OIzqv2z8gqv-D8uqyEN?DR?C94J?AtBf6IXZzhS7TtkidR1EXePzxmIG

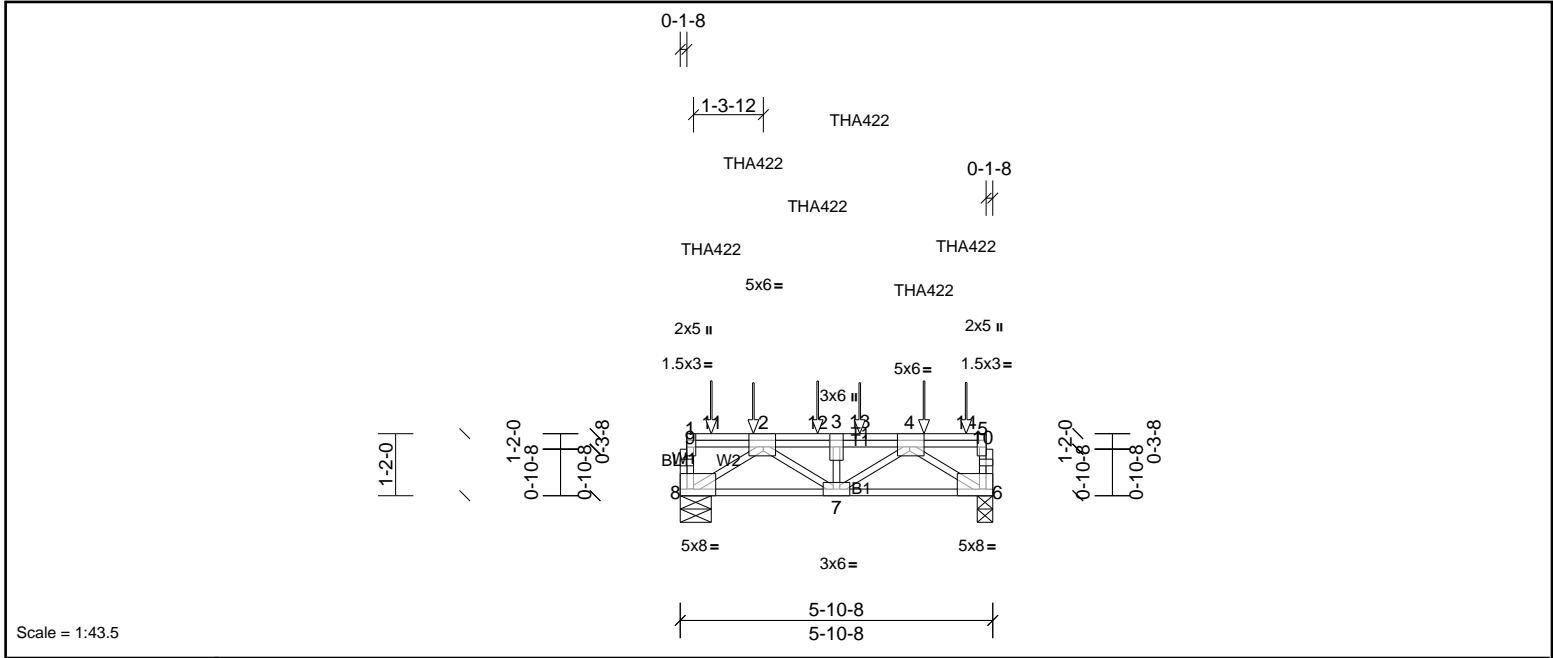


Plate Offsets (X, Y): [2:0-2-12,Edge], [4:0-2-12,Edge], [5:0-3-0,Edge], [6:Edge,0-1-8], [8:Edge,0-1-8]

Loading	(psf)	Spacing	2-0-0	CSI	DEFL	in	(loc)	l/defl	L/d	PLATES	GRIP	
TCLL	40.0	Plate Grip DOL	1.00	TC	0.47	Vert(LL)	-0.03	7	>999	480	MT20	244/190
TCDL	10.0	Lumber DOL	1.00	BC	0.78	Vert(CT)	-0.05	7	>999	360		
BCLL	0.0	Rep Stress Incr	NO	WB	0.68	Horz(CT)	0.02	6	n/a	n/a		
BCDL	5.0	Code	IRC2015/TPI2014	Matrix-SH							Weight: 40 lb	FT = 20%F, 12%E

LUMBER	BRACING
TOP CHORD 2x4 SP No.2(flat)	TOP CHORD Structural wood sheathing directly applied or 5-10-8 oc purlins, except end verticals.
BOT CHORD 2x4 SP No.2(flat)	BOT CHORD Rigid ceiling directly applied or 10-0-0 oc bracing.
WEBS 2x4 SP No.3(flat)	
OTHERS 2x4 SP No.3(flat)	

REACTIONS	(lb/size)	6=2099/0-3-8, (min. 0-1-8), 8=2197/0-7-0, (min. 0-1-8)
FORCES	(lb) - Max. Comp./Max. Ten. - All forces 250 (lb) or less except when shown.	
TOP CHORD	8-9=-573/0, 1-9=-572/0, 6-10=-447/0, 5-10=-446/0, 2-12=-3179/0, 3-12=-3179/0, 3-13=-3179/0, 4-13=-3179/0	
BOT CHORD	7-8=0/2399, 6-7=0/2431	
WEBS	3-7=-1063/0, 2-8=-2859/0, 2-7=0/957, 4-6=-2907/0, 4-7=0/918	

- NOTES**
- This truss is designed in accordance with the 2015 International Residential Code sections R502.11.1 and R802.10.2 and referenced standard ANSI/TPI 1.
 - Recommend 2x6 strongbacks, on edge, spaced at 10-00-00 oc and fastened to each truss with 3-10d (0.131" X 3") nails. Strongbacks to be attached to walls at their outer ends or restrained by other means.
 - Use Simpson Strong-Tie THA422 (6-16d Girder, 6-10d Truss) or equivalent spaced at 2-0-0 oc max. starting at 0-7-0 from the left end to 4-7-0 to connect truss(es) to front face of top chord.
 - Use Simpson Strong-Tie THA422 (6-16d Girder, 6-10d Truss) or equivalent at 1-4-8 from the left end to connect truss(es) to back face of top chord.
 - Use Simpson Strong-Tie THA422 (6-16d Girder, 6-10d Truss) or equivalent spaced at 2-0-0 oc max. starting at 3-4-8 from the left end to 5-4-8 to connect truss(es) to back face of top chord.
 - Fill all nail holes where hanger is in contact with lumber.
 - In the LOAD CASE(S) section, loads applied to the face of the truss are noted as front (F) or back (B).

LOAD CASE(S)	Standard
1) Dead + Floor Live (balanced): Lumber Increase=1.00, Plate Increase=1.00	
Uniform Loads (lb/ft)	
Vert: 6-8=-10, 1-5=-100	
Concentrated Loads (lb)	
Vert: 2=-467 (B), 4=-742 (F), 11=-772 (F), 12=-742 (F), 13=-467 (B), 14=-501 (B)	



This design is based upon parameters shown, and is for an individual building component to be installed and loaded vertically. Applicability of design parameters and proper incorporation of component is responsibility of the Building Designer. Building Designer shall verify all design information on this sheet for conformance with conditions and requirements of the specific building and governing codes and ordinances. Building Designer accepts responsibility for the correctness or accuracy of the design information as it may relate to a specific building. Certification is valid only when truss is fabricated by a UFPI plant. Bracing shown is for lateral support of truss members only and does not replace erection and permanent bracing. Refer to Building Component Safety Information (BCSI) for general guidance regarding storage, erection and bracing available from SBCA and Truss Plate Institute.



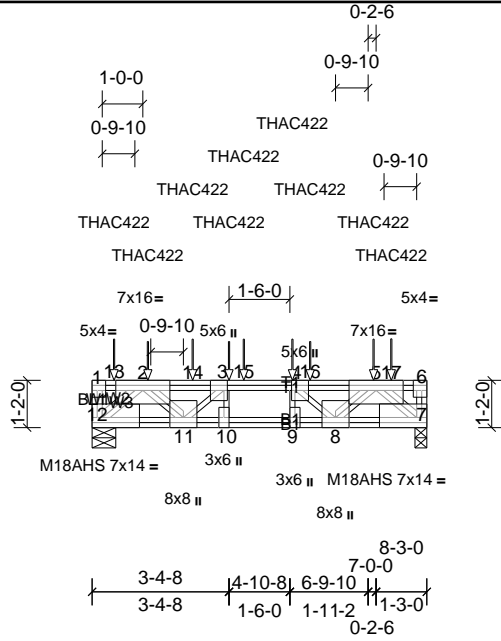
Job 72500435	Truss FG2	Truss Type Truss	Qty 1	Ply 1	MUNGO HOMES - TELFAIR 2ND FLR Job Reference (optional)
-----------------	--------------	---------------------	----------	----------	---

UFP Mid Atlantic LLC, 5631 S. NC 62, Burlington, NC, Joy Perry

Run: 8.81 S Sep 13 2024 Print: 8.810 S Sep 13 2024 MiTek Industries, Inc. Tue Jan 07 11:44:29

Page: 1

ID:a?q6?71yTv6SHVH?OIzqv2z8gqv-D8uqvEN?DR?C94J?AtBf6iXUJhRHrtixdR1EXePzxmIG



Scale = 1:57

Plate Offsets (X, Y):	[1:Edge,0-3-0], [3:0-3-0,Edge], [4:0-3-0,Edge], [6:0-1-8,Edge], [7:Edge,0-3-0], [9:0-3-0,Edge], [12:Edge,0-3-0]
-----------------------	---

Loading	(psf)	Spacing		2-0-0	CSI		DEFL	in	(loc)	l/defl	L/d	PLATES	GRIP
TCLL	40.0	Plate Grip DOL		1.00	TC	0.83	Vert(LL)	-0.07	10-11	>999	480	M18AHS	186/179
TCDL	10.0	Lumber DOL		1.00	BC	0.83	Vert(CT)	-0.13	10	>766	360	MT20	244/190
BCLL	0.0	Rep Stress Incr		NO	WB	0.80	Horz(CT)	0.03	7	n/a	n/a		
BCDL	5.0	Code	IRC2015/TPI2014		Matrix-SH								Weight: 72 lb FT = 20%F, 12%E

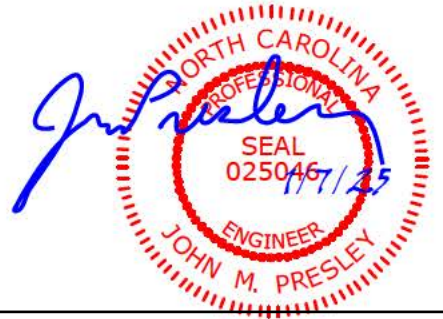
LUMBER		BRACING	
TOP CHORD	2x4 SP No.1(flat)	TOP CHORD	Structural wood sheathing directly applied or 5-4-12 oc purlins, except end verticals.
BOT CHORD	2x4 SP SS(flat)	BOT CHORD	Rigid ceiling directly applied or 10-0-0 oc bracing.
WEBS	2x4 SP No.3(flat)		
OTHERS	2x4 SP No.3(flat)		

REACTIONS	(lb/size)	
	7=4416/0-3-8, (min. 0-3-0), 12=4274/0-7-0, (min. 0-2-14)	
	Max Grav 7=4446 (LC 4), 12=4274 (LC 1)	

FORCES	(lb) - Max. Comp./Max. Ten. - All forces 250 (lb) or less except when shown.
TOP CHORD	1-12=-566/0, 6-7=-368/0, 2-14=-6834/0, 3-14=-6834/0, 3-15=-8947/0, 4-15=-8947/0, 4-16=-6969/0, 5-16=-6969/0
BOT CHORD	11-12=0/4523, 10-11=0/8962, 9-10=0/8947, 8-9=0/8941, 7-8=0/4979
WEBS	3-10=-619/300, 4-9=-390/523, 5-7=-6423/0, 5-8=0/3105, 4-8=-3345/0, 2-12=-5835/0, 2-11=0/3349, 3-11=-3424/0

- NOTES**
- Unbalanced floor live loads have been considered for this design.
 - All plates are MT20 plates unless otherwise indicated.
 - The Fabrication Tolerance at joint 12 = 8%, joint 7 = 8%
 - This truss is designed in accordance with the 2015 International Residential Code sections R502.11.1 and R802.10.2 and referenced standard ANSI/TPI 1.
 - Recommend 2x6 strongbacks, on edge, spaced at 10-00-00 oc and fastened to each truss with 3-10d (0.131" X 3") nails. Strongbacks to be attached to walls at their outer ends or restrained by other means.
 - Use Simpson Strong-Tie THAC422 (6-16d Girder, 6-16d Truss) or equivalent spaced at 2-0-0 oc max. starting at 1-4-8 from the left end to 7-4-8 to connect truss(es) to front face of top chord.
 - Use Simpson Strong-Tie THAC422 (6-16d Girder, 6-16d Truss) or equivalent spaced at 2-0-0 oc max. starting at 0-6-8 from the left end to 6-11-4 to connect truss(es) to back face of top chord.
 - Fill all nail holes where hanger is in contact with lumber.
 - In the LOAD CASE(S) section, loads applied to the face of the truss are noted as front (F) or back (B).

LOAD CASE(S)	Standard
1) Dead + Floor Live (balanced): Lumber Increase=1.00, Plate Increase=1.00	
Uniform Loads (lb/ft)	
Vert: 7-12=-10, 1-6=-100	
Concentrated Loads (lb)	
Vert: 3=-467 (F), 4=-1044 (B), 5=-1044 (B), 2=-467 (F), 13=-1074 (B), 14=-1044 (B), 15=-1044 (B), 16=-467 (F), 17=-1159 (F)	



This design is based upon parameters shown, and is for an individual building component to be installed and loaded vertically. Applicability of design parameters and proper incorporation of component is responsibility of the Building Designer. Building Designer shall verify all design information on this sheet for conformance with conditions and requirements of the specific building and governing codes and ordinances. Building Designer accepts responsibility for the correctness or accuracy of the design information as it may relate to a specific building. Certification is valid only when truss is fabricated by a UFPI plant. Bracing shown is for lateral support of truss members only and does not replace erection and permanent bracing. Refer to Building Component Safety Information (BCSI) for general guidance regarding storage, erection and bracing available from SBCA and Truss Plate Institute.



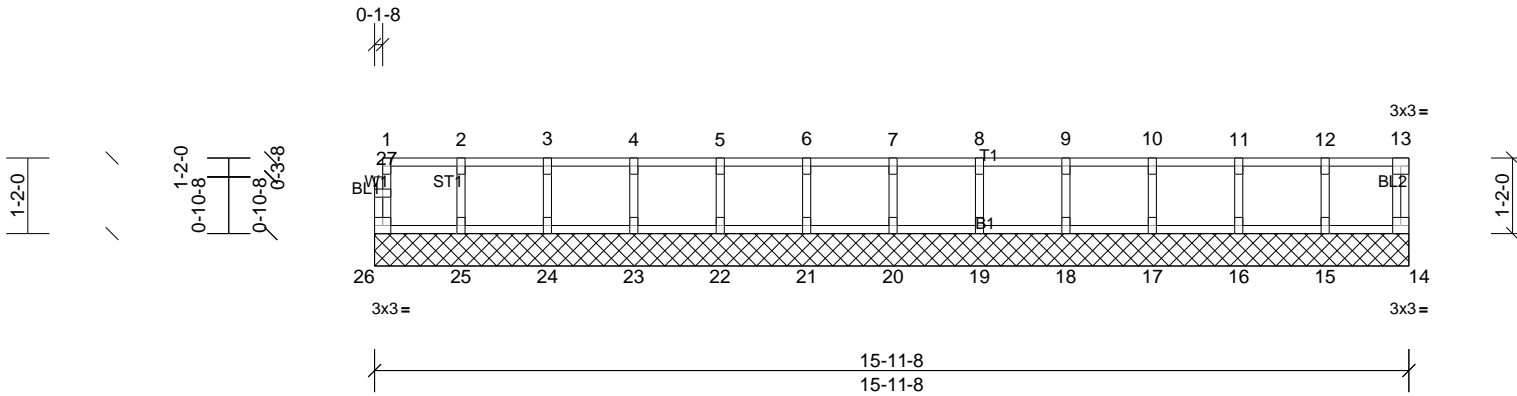
Job 72500435	Truss K200	Truss Type Truss	Qty 1	Ply 1	MUNGO HOMES - TELFAIR 2ND FLR Job Reference (optional)
-----------------	---------------	---------------------	----------	----------	---

UFP Mid Atlantic LLC, 5631 S. NC 62, Burlington, NC, Joy Perry

Run: 8.81 S Sep 13 2024 Print: 8.810 S Sep 13 2024 MiTek Industries, Inc. Tue Jan 07 11:44:29

Page: 1

ID:a?q6?771yTv6SHVH?OIZqv2z8gqv-D8uqvEN?DR?C94J?AtBf6iXf6he7TuwdR1EXePzxmIG



Scale = 1:35.7

Loading	(psf)	Spacing	2-0-0	CSI	DEFL	in	(loc)	l/defl	L/d	PLATES	GRIP	
TCLL	40.0	Plate Grip DOL	1.00	TC	0.08	Vert(LL)	n/a	-	n/a	999	MT20	244/190
TCDL	10.0	Lumber DOL	1.00	BC	0.01	Vert(TL)	n/a	-	n/a	999		
BCLL	0.0	Rep Stress Incr	YES	WB	0.03	Horiz(TL)	0.00	14	n/a	n/a		
BCDL	5.0	Code	IRC2015/TPI2014	Matrix-R							Weight: 67 lb	FT = 20%F, 12%E

LUMBER	BRACING
TOP CHORD 2x4 SP No.2(flat)	TOP CHORD Structural wood sheathing directly applied or 6-0-0 oc purlins, except end verticals.
BOT CHORD 2x4 SP No.2(flat)	BOT CHORD Rigid ceiling directly applied or 10-0-0 oc bracing.
WEBS 2x4 SP No.3(flat)	
OTHERS 2x4 SP No.3(flat)	

REACTIONS All bearings 15-11-8.
(lb) - Max Grav All reactions 250 (lb) or less at joint(s) 14, 15, 16, 17, 18, 19, 20, 21, 22, 23, 24, 25, 26

FORCES (lb) - Max. Comp./Max. Ten. - All forces 250 (lb) or less except when shown.

- NOTES**
- 1) All plates are 1.5x3 MT20 unless otherwise indicated.
 - 2) Gable requires continuous bottom chord bearing.
 - 3) Truss to be fully sheathed from one face or securely braced against lateral movement (i.e. diagonal web).
 - 4) Gable studs spaced at 1-4-0 oc.
 - 5) This truss is designed in accordance with the 2015 International Residential Code sections R502.11.1 and R802.10.2 and referenced standard ANSI/TPI 1.
 - 6) Recommend 2x6 strongbacks, on edge, spaced at 10-00-00 oc and fastened to each truss with 3-10d (0.131" X 3") nails. Strongbacks to be attached to walls at their outer ends or restrained by other means.



This design is based upon parameters shown, and is for an individual building component to be installed and loaded vertically. Applicability of design parameters and proper incorporation of component is responsibility of the Building Designer. Building Designer shall verify all design information on this sheet for conformance with conditions and requirements of the specific building and governing codes and ordinances. Building Designer accepts responsibility for the correctness or accuracy of the design information as it may relate to a specific building. Certification is valid only when truss is fabricated by a UFPI plant. Bracing shown is for lateral support of truss members only and does not replace erection and permanent bracing. Refer to Building Component Safety Information (BCSI) for general guidance regarding storage, erection and bracing available from SBCA and Truss Plate Institute.



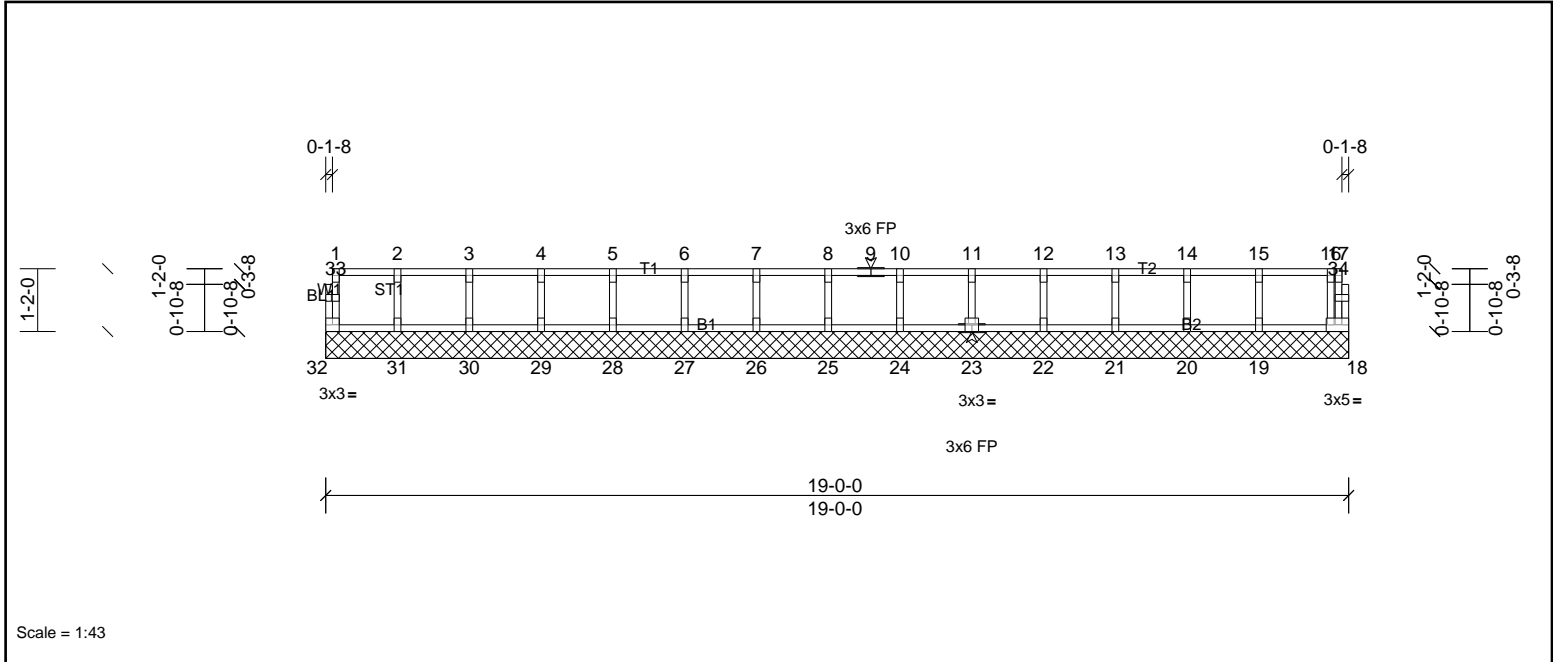
Job 72500435	Truss K201	Truss Type Truss	Qty 1	Ply 1	MUNGO HOMES - TELFAIR 2ND FLR Job Reference (optional)
-----------------	---------------	---------------------	----------	----------	---

UFP Mid Atlantic LLC, 5631 S. NC 62, Burlington, NC, Joy Perry

Run: 8.81 S Sep 13 2024 Print: 8.810 S Sep 13 2024 MiTek Industries, Inc. Tue Jan 07 11:44:29

Page: 1

ID:8SoLh22UeLu2PMs6EKMK9Kz1jeJ-D8uqvEN?DR?C94J?AtBf6IXfzhexTuudR1EXePzxmIG



Scale = 1:43

Loading	(psf)	Spacing	2-0-0	CSI	DEFL	in	(loc)	l/defl	L/d	PLATES	GRIP	
TCLL	40.0	Plate Grip DOL	1.00	TC	0.09	Vert(LL)	n/a	-	n/a	999	MT20	244/190
TCDL	10.0	Lumber DOL	1.00	BC	0.02	Vert(TL)	n/a	-	n/a	999		
BCLL	0.0	Rep Stress Incr	YES	WB	0.03	Horiz(TL)	0.00	18	n/a	n/a		
BCDL	5.0	Code	IRC2015/TPI2014	Matrix-R							Weight: 80 lb	FT = 20%F, 12%E

LUMBER		BRACING	
TOP CHORD	2x4 SP No.2(flat)	TOP CHORD	Structural wood sheathing directly applied or 6-0-0 oc purlins, except end verticals.
BOT CHORD	2x4 SP No.2(flat)	BOT CHORD	Rigid ceiling directly applied or 10-0-0 oc bracing.
WEBS	2x4 SP No.3(flat)		
OTHERS	2x4 SP No.3(flat)		

REACTIONS All bearings 19-0-0.
(lb) - Max Grav All reactions 250 (lb) or less at joint(s) 18, 19, 20, 21, 22, 23, 24, 25, 26, 27, 28, 29, 30, 31, 32

FORCES (lb) - Max. Comp./Max. Ten. - All forces 250 (lb) or less except when shown.

- NOTES**
- 1) All plates are 1.5x3 MT20 unless otherwise indicated.
 - 2) Gable requires continuous bottom chord bearing.
 - 3) Truss to be fully sheathed from one face or securely braced against lateral movement (i.e. diagonal web).
 - 4) Gable studs spaced at 1'-4-0 oc.
 - 5) This truss is designed in accordance with the 2015 International Residential Code sections R502.11.1 and R802.10.2 and referenced standard ANSI/TPI 1.
 - 6) Recommend 2x6 strongbacks, on edge, spaced at 10-0-0 oc and fastened to each truss with 3-10d (0.131" X 3") nails. Strongbacks to be attached to walls at their outer ends or restrained by other means.



This design is based upon parameters shown, and is for an individual building component to be installed and loaded vertically. Applicability of design parameters and proper incorporation of component is responsibility of the Building Designer. Building Designer shall verify all design information on this sheet for conformance with conditions and requirements of the specific building and governing codes and ordinances. Building Designer accepts responsibility for the correctness or accuracy of the design information as it may relate to a specific building. Certification is valid only when truss is fabricated by a UFPI plant. Bracing shown is for lateral support of truss members only and does not replace erection and permanent bracing. Refer to Building Component Safety Information (BCSI) for general guidance regarding storage, erection and bracing available from SBCA and Truss Plate Institute.



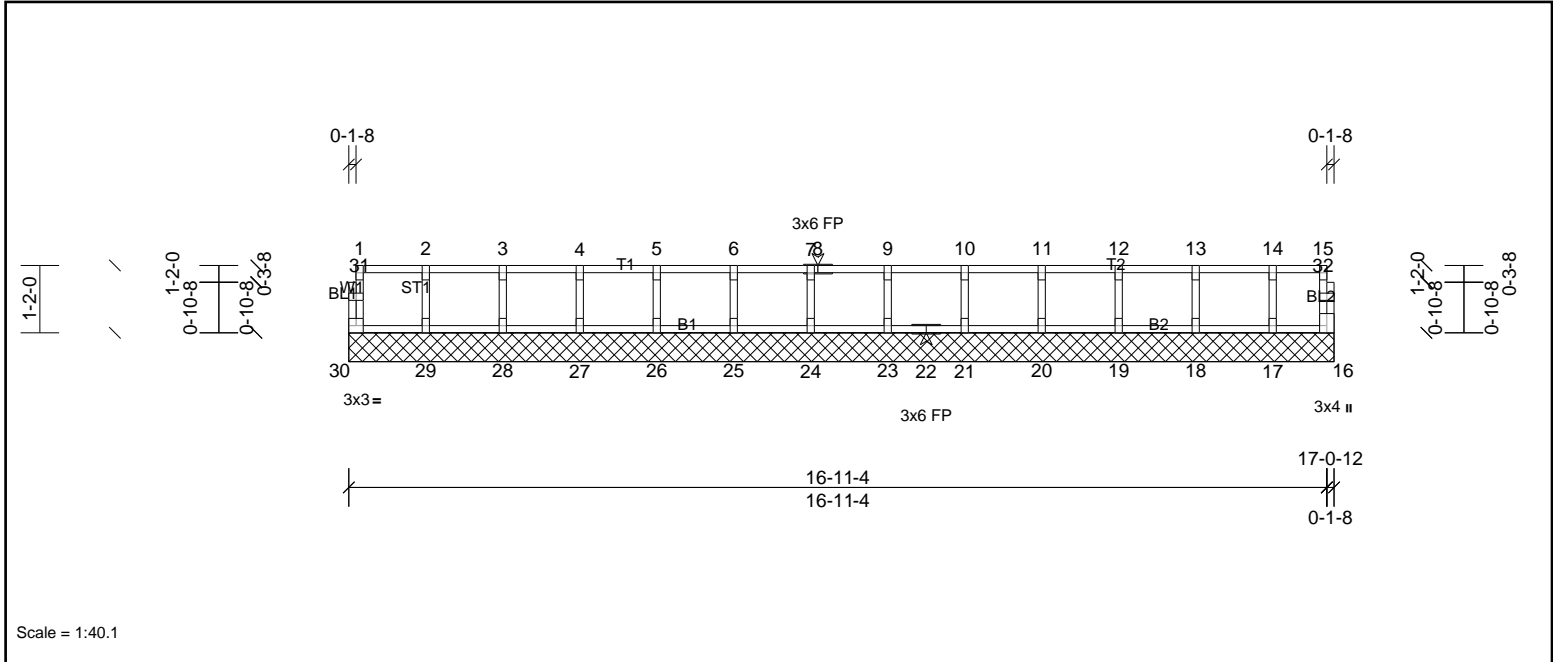
Job 72500435	Truss K202	Truss Type Truss	Qty 1	Ply 1	MUNGO HOMES - TELFAIR 2ND FLR Job Reference (optional)
-----------------	---------------	---------------------	----------	----------	---

UFP Mid Atlantic LLC, 5631 S. NC 62, Burlington, NC, Joy Perry

Run: 8.81 S Sep 13 2024 Print: 8.810 S Sep 13 2024 MiTek Industries, Inc. Tue Jan 07 11:44:29

Page: 1

ID:vLwVCrAqlwcs3fT_AMX8Qxz1jdG-D8uqvEN?DR?C94J?AtBf6IXf3he7TuvdR1EXePzxmIG



Loading	(psf)	Spacing	2-0-0	CSI	DEFL	in	(loc)	l/defl	L/d	PLATES	GRIP	
TCLL	40.0	Plate Grip DOL	1.00	TC	0.08	Vert(LL)	n/a	-	n/a	999	MT20	244/190
TCDL	10.0	Lumber DOL	1.00	BC	0.01	Vert(TL)	n/a	-	n/a	999		
BCLL	0.0	Rep Stress Incr	YES	WB	0.03	Horiz(TL)	0.00	16	n/a	n/a		
BCDL	5.0	Code	IRC2015/TPI2014	Matrix-R							Weight: 72 lb	FT = 20%F, 12%E

LUMBER	BRACING
TOP CHORD 2x4 SP No.2(flat)	TOP CHORD Structural wood sheathing directly applied or 6-0-0 oc purlins, except end verticals.
BOT CHORD 2x4 SP No.2(flat)	BOT CHORD Rigid ceiling directly applied or 10-0-0 oc bracing.
WEBS 2x4 SP No.3(flat)	
OTHERS 2x4 SP No.3(flat)	

REACTIONS All bearings 17-0-12.
 (lb) - Max Grav All reactions 250 (lb) or less at joint(s) 16, 17, 18, 19, 20, 21, 23, 24, 25, 26, 27, 28, 29, 30

FORCES (lb) - Max. Comp./Max. Ten. - All forces 250 (lb) or less except when shown.

- NOTES**
- All plates are 1.5x3 MT20 unless otherwise indicated.
 - Gable requires continuous bottom chord bearing.
 - Truss to be fully sheathed from one face or securely braced against lateral movement (i.e. diagonal web).
 - Gable studs spaced at 1-4-0 oc.
 - Bearing at joint(s) 16 considers parallel to grain value using ANSI/TPI 1 angle to grain formula. Building designer should verify capacity of bearing surface.
 - This truss is designed in accordance with the 2015 International Residential Code sections R502.11.1 and R802.10.2 and referenced standard ANSI/TPI 1.
 - Recommend 2x6 strongbacks, on edge, spaced at 10-00-00 oc and fastened to each truss with 3-10d (0.131" X 3") nails. Strongbacks to be attached to walls at their outer ends or restrained by other means.



This design is based upon parameters shown, and is for an individual building component to be installed and loaded vertically. Applicability of design parameters and proper incorporation of component is responsibility of the Building Designer. Building Designer shall verify all design information on this sheet for conformance with conditions and requirements of the specific building and governing codes and ordinances. Building Designer accepts responsibility for the correctness or accuracy of the design information as it may relate to a specific building. Certification is valid only when truss is fabricated by a UFPI plant. Bracing shown is for lateral support of truss members only and does not replace erection and permanent bracing. Refer to Building Component Safety Information (BCSI) for general guidance regarding storage, erection and bracing available from SBCA and Truss Plate Institute.



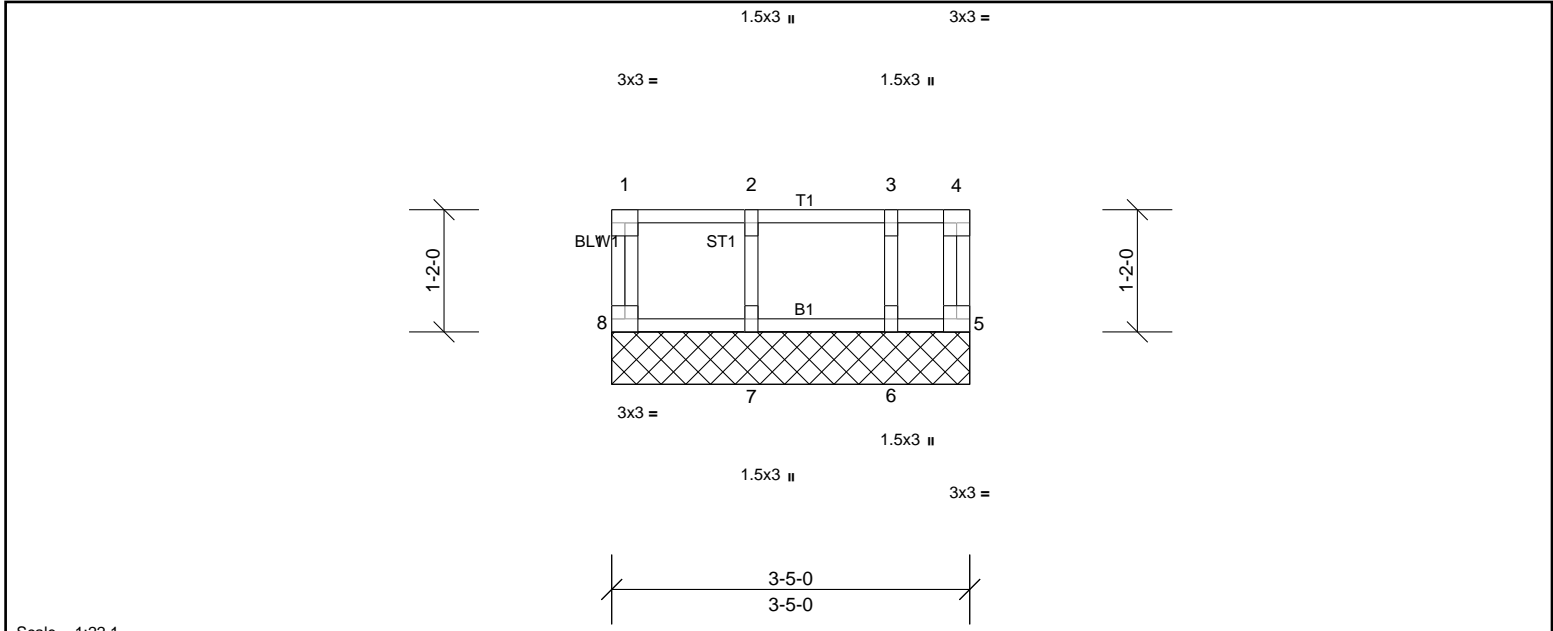
Job 72500435	Truss K203	Truss Type Truss	Qty 1	Ply 1	MUNGO HOMES - TELFAIR 2ND FLR Job Reference (optional)
-----------------	---------------	---------------------	----------	----------	---

UFP Mid Atlantic LLC, 5631 S. NC 62, Burlington, NC, Joy Perry

Run: 8.81 S Sep 13 2024 Print: 8.810 S Sep 13 2024 MiTek Industries, Inc. Tue Jan 07 11:44:30

Page: 1

ID:a?q6?71yTv6SHVH?OlZqv2z8gqv-hLRC6aOe_k73nEuCkbiuev3qp5_DCL8mfh4Aszxmif



Scale = 1:22.1

Loading	(psf)	Spacing	2-0-0	CSI		DEFL	in	(loc)	l/defl	L/d	PLATES	GRIP
TCLL	40.0	Plate Grip DOL	1.00	TC	0.08	Vert(LL)	n/a	-	n/a	999	MT20	244/190
TCDL	10.0	Lumber DOL	1.00	BC	0.02	Vert(TL)	n/a	-	n/a	999		
BCLL	0.0	Rep Stress Incr	YES	WB	0.03	Horiz(TL)	0.00	5	n/a	n/a		
BCDL	5.0	Code	IRC2015/TPI2014	Matrix-R							Weight: 18 lb	FT = 20%F, 12%E

LUMBER		BRACING	
TOP CHORD	2x4 SP No.2(flat)	TOP CHORD	Structural wood sheathing directly applied or 3-5-0 oc purlins, except end verticals.
BOT CHORD	2x4 SP No.2(flat)	BOT CHORD	Rigid ceiling directly applied or 10-0-0 oc bracing.
WEBS	2x4 SP No.3(flat)		
OTHERS	2x4 SP No.3(flat)		

REACTIONS All bearings 3-5-0.
(lb) - Max Grav All reactions 250 (lb) or less at joint(s) 5, 6, 7, 8

FORCES (lb) - Max. Comp./Max. Ten. - All forces 250 (lb) or less except when shown.

- NOTES**
- Gable requires continuous bottom chord bearing.
 - Truss to be fully sheathed from one face or securely braced against lateral movement (i.e. diagonal web).
 - Gable studs spaced at 1-4-0 oc.
 - This truss is designed in accordance with the 2015 International Residential Code sections R502.11.1 and R802.10.2 and referenced standard ANSI/TPI 1.
 - Recommend 2x6 strongbacks, on edge, spaced at 10-00-00 oc and fastened to each truss with 3-10d (0.131" X 3") nails. Strongbacks to be attached to walls at their outer ends or restrained by other means.



This design is based upon parameters shown, and is for an individual building component to be installed and loaded vertically. Applicability of design parameters and proper incorporation of component is responsibility of the Building Designer. Building Designer shall verify all design information on this sheet for conformance with conditions and requirements of the specific building and governing codes and ordinances. Building Designer accepts responsibility for the correctness or accuracy of the design information as it may relate to a specific building. Certification is valid only when truss is fabricated by a UFPI plant. Bracing shown is for lateral support of truss members only and does not replace erection and permanent bracing. Refer to Building Component Safety Information (BCSI) for general guidance regarding storage, erection and bracing available from SBCA and Truss Plate Institute.



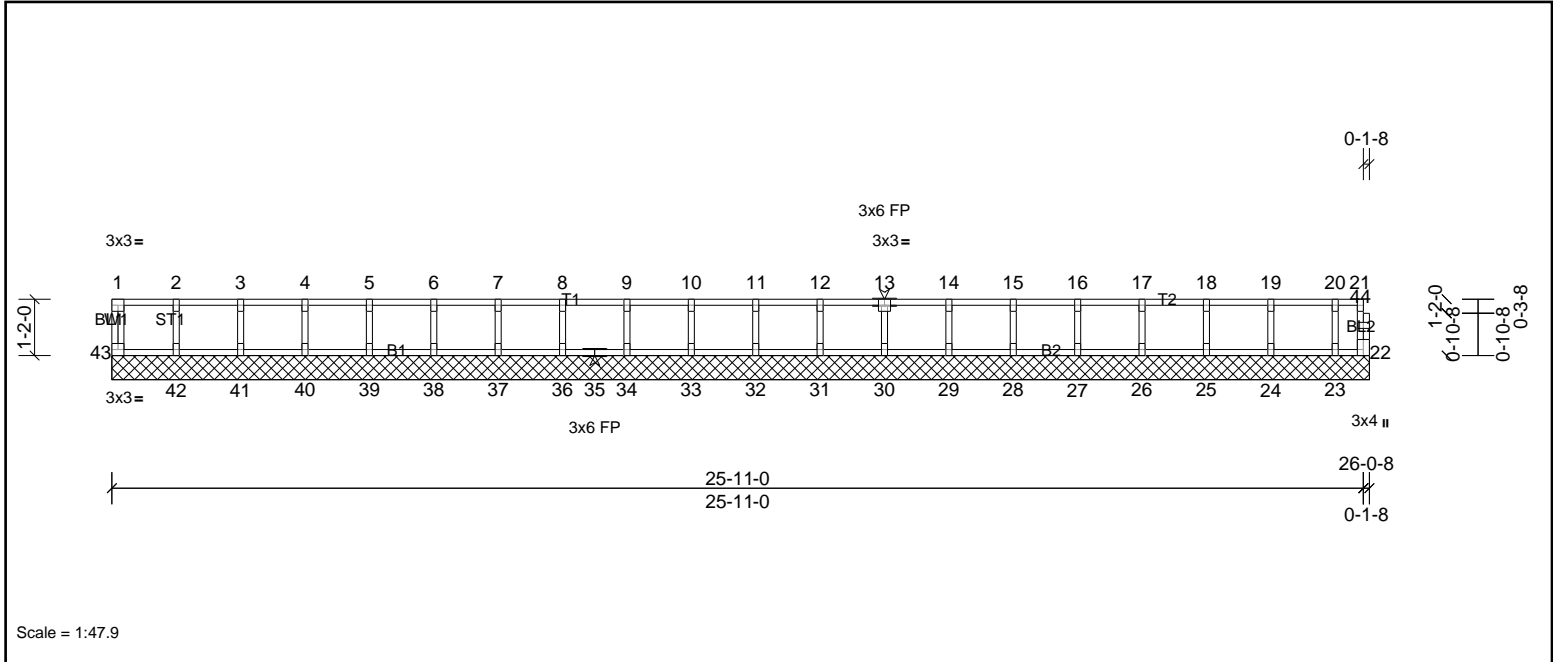
Job 72500435	Truss K204	Truss Type Truss	Qty 1	Ply 1	MUNGO HOMES - TELFAIR 2ND FLR Job Reference (optional)
-----------------	---------------	---------------------	----------	----------	---

UFP Mid Atlantic LLC, 5631 S. NC 62, Burlington, NC, Joy Perry

Run: 8.81 S Sep 13 2024 Print: 8.810 S Sep 13 2024 MiTek Industries, Inc. Tue Jan 07 11:44:30

Page: 1

ID:a?q6?71yTv6SHVH?OlZqv2z8gqv-hLRC6aOe_k73nEuCkbiuev3qo5_HCL8mfhz4Aszxmif



Loading	(psf)	Spacing	2-0-0	CSI	DEFL	in	(loc)	l/defl	L/d	PLATES	GRIP	
TCLL	40.0	Plate Grip DOL	1.00	TC	0.08	Vert(LL)	n/a	-	n/a	999	MT20	244/190
TCDL	10.0	Lumber DOL	1.00	BC	0.02	Vert(TL)	n/a	-	n/a	999		
BCLL	0.0	Rep Stress Incr	YES	WB	0.03	Horiz(TL)	0.00	22	n/a	n/a		
BCDL	5.0	Code	IRC2015/TPI2014	Matrix-R							Weight: 108 lb	FT = 20%F, 12%E

LUMBER	BRACING
TOP CHORD 2x4 SP No.2(flat)	TOP CHORD Structural wood sheathing directly applied or 6-0-0 oc purlins, except end verticals.
BOT CHORD 2x4 SP No.2(flat)	BOT CHORD Rigid ceiling directly applied or 10-0-0 oc bracing.
WEBS 2x4 SP No.3(flat)	
OTHERS 2x4 SP No.3(flat)	

REACTIONS All bearings 26-0-8.
(lb) - Max Grav All reactions 250 (lb) or less at joint(s) 22, 23, 24, 25, 26, 27, 28, 29, 30, 31, 32, 33, 34, 36, 37, 38, 39, 40, 41, 42, 43

FORCES (lb) - Max. Comp./Max. Ten. - All forces 250 (lb) or less except when shown.

- NOTES**
- 1) All plates are 1.5x3 MT20 unless otherwise indicated.
 - 2) Gable requires continuous bottom chord bearing.
 - 3) Truss to be fully sheathed from one face or securely braced against lateral movement (i.e. diagonal web).
 - 4) Gable studs spaced at 1-4-0 oc.
 - 5) Bearing at joint(s) 22 considers parallel to grain value using ANSI/TPI 1 angle to grain formula. Building designer should verify capacity of bearing surface.
 - 6) This truss is designed in accordance with the 2015 International Residential Code sections R502.11.1 and R802.10.2 and referenced standard ANSI/TPI 1.
 - 7) Recommend 2x6 strongbacks, on edge, spaced at 10-00-00 oc and fastened to each truss with 3-10d (0.131" X 3") nails. Strongbacks to be attached to walls at their outer ends or restrained by other means.



This design is based upon parameters shown, and is for an individual building component to be installed and loaded vertically. Applicability of design parameters and proper incorporation of component is responsibility of the Building Designer. Building Designer shall verify all design information on this sheet for conformance with conditions and requirements of the specific building and governing codes and ordinances. Building Designer accepts responsibility for the correctness or accuracy of the design information as it may relate to a specific building. Certification is valid only when truss is fabricated by a UFPI plant. Bracing shown is for lateral support of truss members only and does not replace erection and permanent bracing. Refer to Building Component Safety Information (BCSI) for general guidance regarding storage, erection and bracing available from SBCA and Truss Plate Institute.



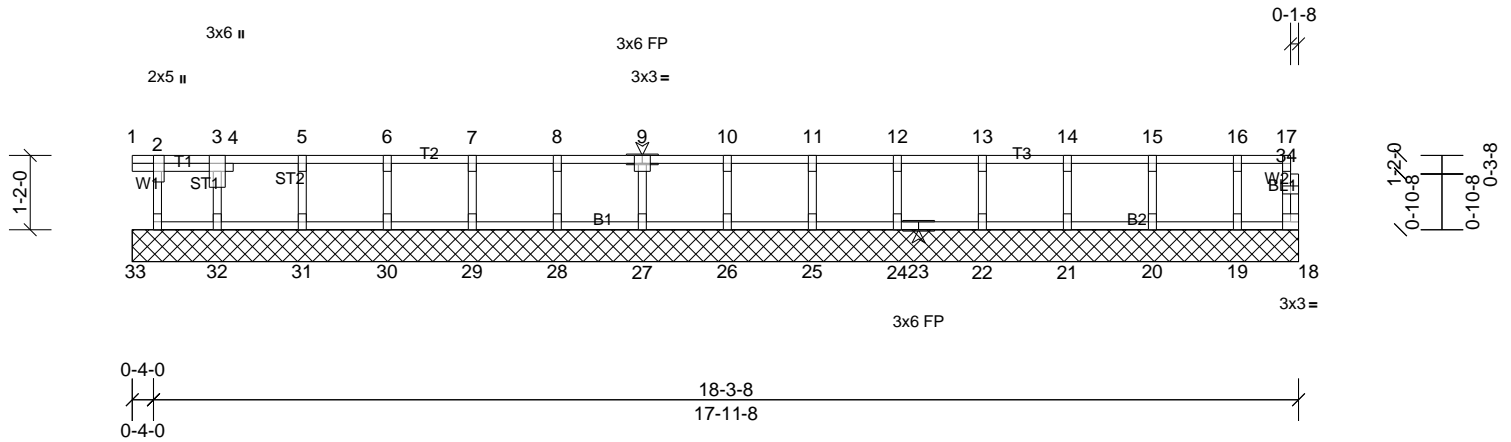
Job 72500435	Truss K205	Truss Type Truss	Qty 1	Ply 1	MUNGO HOMES - TELFAIR 2ND FLR Job Reference (optional)
-----------------	---------------	---------------------	----------	----------	---

UFP Mid Atlantic LLC, 5631 S. NC 62, Burlington, NC, Joy Perry

Run: 8.81 S Sep 13 2024 Print: 8.810 S Sep 13 2024 MiTek Industries, Inc. Tue Jan 07 11:44:30

Page: 1

ID:a?q6?71yTv6SHVH?OIZqv2z8gqv-hLRC6aOe_k73nEuCkbiuev3qp5_OCL8mfhz4Aszxmif



Scale = 1:36.3

Plate Offsets (X, Y): [2:0-3-0,Edge]

Loading	(psf)	Spacing	2-0-0	CSI	DEFL	in	(loc)	l/defl	L/d	PLATES	GRIP	
TCLL	40.0	Plate Grip DOL	1.00	TC	0.08	Vert(LL)	n/a	-	n/a	999	MT20	244/190
TCDL	10.0	Lumber DOL	1.00	BC	0.01	Vert(CT)	n/a	-	n/a	999		
BCLL	0.0	Rep Stress Incr	YES	WB	0.03	Horz(CT)	0.00	18	n/a	n/a		
BCDL	5.0	Code	IRC2015/TPI2014	Matrix-R							Weight: 77 lb	FT = 20%F, 12%E

LUMBER		BRACING	
TOP CHORD	2x4 SP No.2(flat)	TOP CHORD	Structural wood sheathing directly applied or 6-0-0 oc purlins, except end verticals.
BOT CHORD	2x4 SP No.2(flat)	BOT CHORD	Rigid ceiling directly applied or 10-0-0 oc bracing.
WEBS	2x4 SP No.3(flat)		
OTHERS	2x4 SP No.3(flat)		

REACTIONS All bearings 18-3-8.
(lb) - Max Grav All reactions 250 (lb) or less at joint(s) 18, 19, 20, 21, 22, 24, 25, 26, 27, 28, 29, 30, 31, 32, 33

FORCES (lb) - Max. Comp./Max. Ten. - All forces 250 (lb) or less except when shown.

- NOTES**
- 1) All plates are 1.5x3 MT20 unless otherwise indicated.
 - 2) Gable requires continuous bottom chord bearing.
 - 3) Truss to be fully sheathed from one face or securely braced against lateral movement (i.e. diagonal web).
 - 4) Gable studs spaced at 1-4-0 oc.
 - 5) This truss is designed in accordance with the 2015 International Residential Code sections R502.11.1 and R802.10.2 and referenced standard ANSI/TPI 1.
 - 6) Recommend 2x6 strongbacks, on edge, spaced at 10-00-00 oc and fastened to each truss with 3-10d (0.131" X 3") nails. Strongbacks to be attached to walls at their outer ends or restrained by other means.
 - 7) CAUTION, Do not erect truss backwards.



This design is based upon parameters shown, and is for an individual building component to be installed and loaded vertically. Applicability of design parameters and proper incorporation of component is responsibility of the Building Designer. Building Designer shall verify all design information on this sheet for conformance with conditions and requirements of the specific building and governing codes and ordinances. Building Designer accepts responsibility for the correctness or accuracy of the design information as it may relate to a specific building. Certification is valid only when truss is fabricated by a UFPI plant. Bracing shown is for lateral support of truss members only and does not replace erection and permanent bracing. Refer to Building Component Safety Information (BCSI) for general guidance regarding storage, erection and bracing available from SBCA and Truss Plate Institute.

