

Job 72313159	Truss A02-G	Truss Type Truss	Qty 2	Ply 1	Service - 42 JASMINE RD RF Job Reference (optional)
-----------------	----------------	---------------------	----------	----------	--

UFP Mid Atlantic LLC, 5631 S. NC 62, Burlington, NC, Gina Tolley

Run: 8.62 S Sep 22 2022 Print: 8.620 S Sep 22 2022 MiTek Industries, Inc. Tue Apr 04 12:41:25

Page: 1

ID:8ZeYyI3XAQPMxG_HeibBtezVQaO-yk3JIA1ibohxYSXqKjLx5IKRMU9H3ziacsS7JzU6J8

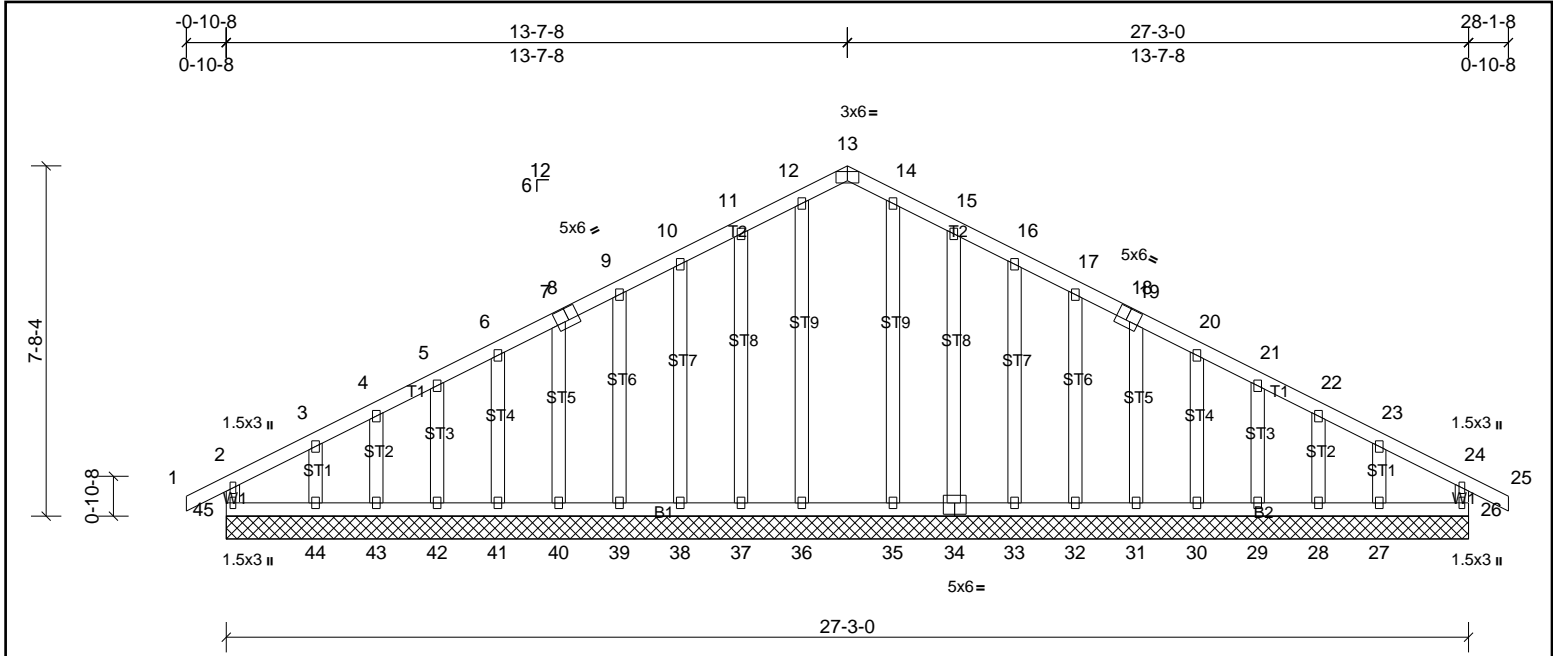


Plate Offsets (X, Y): [8:0-2-12,0-3-4], [13:0-3-0,Edge], [18:0-2-12,0-3-4], [34:0-3-0,0-3-0]

Loading	(psf)	Spacing	2-0-0	CSI	DEFL	in	(loc)	l/defl	L/d	PLATES	GRIP	
TCLL (roof)	20.0	Plate Grip DOL	1.15	TC	0.10	Vert(LL)	n/a	-	n/a	999	MT20	244/190
TCDL	10.0	Lumber DOL	1.15	BC	0.05	Vert(CT)	n/a	-	n/a	999		
BCLL	0.0*	Rep Stress Incr	YES	WB	0.10	Horz(CT)	0.00	26	n/a	n/a		
BCDL	10.0	Code	IRC2015/TPI2014	Matrix-MR							Weight: 197 lb	FT = 20%

LUMBER	BRACING
TOP CHORD 2x4 SP No.2	TOP CHORD Structural wood sheathing directly applied or 6-0-0 oc purlins, except end verticals.
BOT CHORD 2x4 SP No.2	BOT CHORD Rigid ceiling directly applied or 10-0-0 oc bracing.
WEBS 2x4 SP No.3	
OTHERS 2x4 SP No.3	

REACTIONS All bearings 27-3-0.
 (lb) - Max Horiz 45=87 (LC 9)
 Max Uplift All uplift 100 (lb) or less at joint(s) 26, 27, 28, 29, 30, 31, 32, 33, 34, 37, 38, 39, 40, 41, 42, 44, 45
 Max Grav All reactions 250 (lb) or less at joint(s) 26, 27, 28, 29, 30, 31, 32, 33, 34, 35, 36, 37, 38, 39, 40, 41, 42, 43, 44, 45

FORCES (lb) - Max. Comp./Max. Ten. - All forces 250 (lb) or less except when shown.

- NOTES**
- Unbalanced roof live loads have been considered for this design.
 - Wind: ASCE 7-10; Vult=115mph (3-second gust) Vasd=91mph; TCDL=6.0psf; BCDL=6.0psf; h=25ft; Cat. II; Exp B; Enclosed; MWFRS (envelope) exterior zone and C-C Exterior (2) zone; cantilever left and right exposed; end vertical left and right exposed; C-C for members and forces & MWFRS for reactions shown; Lumber DOL=1.60 plate grip DOL=1.60
 - Truss designed for wind loads in the plane of the truss only.
 - All plates are 2x3 MT20 unless otherwise indicated.
 - Gable requires continuous bottom chord bearing.
 - Truss to be fully sheathed from one face or securely braced against lateral movement (i.e. diagonal web).
 - Gable studs spaced at 1'-4" oc.
 - This truss has been designed for a 10.0 psf bottom chord live load nonconcurrent with any other live loads.
 - * This truss has been designed for a live load of 20.0psf on the bottom chord in all areas where a rectangle 3-06-00 tall by 2-00-00 wide will fit between the bottom chord and any other members.
 - Provide mechanical connection (by others) of truss to bearing plate capable of withstanding 100 lb uplift at joint(s) 45, 26, 37, 38, 39, 40, 41, 42, 44, 34, 33, 32, 31, 30, 29, 28, 27.
 - This truss is designed in accordance with the 2015 International Residential Code sections R502.11.1 and R802.10.2 and referenced standard ANSI/TPI 1.



This design is based upon parameters shown, and is for an individual building component to be installed and loaded vertically. Applicability of design parameters and proper incorporation of component is responsibility of the Building Designer. Building Designer shall verify all design information on this sheet for conformance with conditions and requirements of the specific building and governing codes and ordinances. Building Designer accepts responsibility for the correctness or accuracy of the design information as it may relate to a specific building. Certification is valid only when truss is fabricated by a UFPI plant. Bracing shown is for lateral support of truss members only and does not replace erection and permanent bracing. Refer to Building Component Safety Information (BCSI) for general guidance regarding storage, erection and bracing available from SBCA and Truss Plate Institute.



Job 72313159	Truss A03	Truss Type Truss	Qty 5	Ply 1	Service - 42 JASMINE RD RF Job Reference (optional)
-----------------	--------------	---------------------	----------	----------	--

UFP Mid Atlantic LLC, 5631 S. NC 62, Burlington, NC, Gina Tolley

Run: 8.62 S Sep 22 2022 Print: 8.620 S Sep 22 2022 MiTek Industries, Inc. Tue Apr 04 12:41:25

Page: 1

ID:dmCwI239xjXDZQZTCQ6QPszVQaYk3JIA1ibohxYSXqKjLx5I9MMLpHu2iacsS7JzU6J8

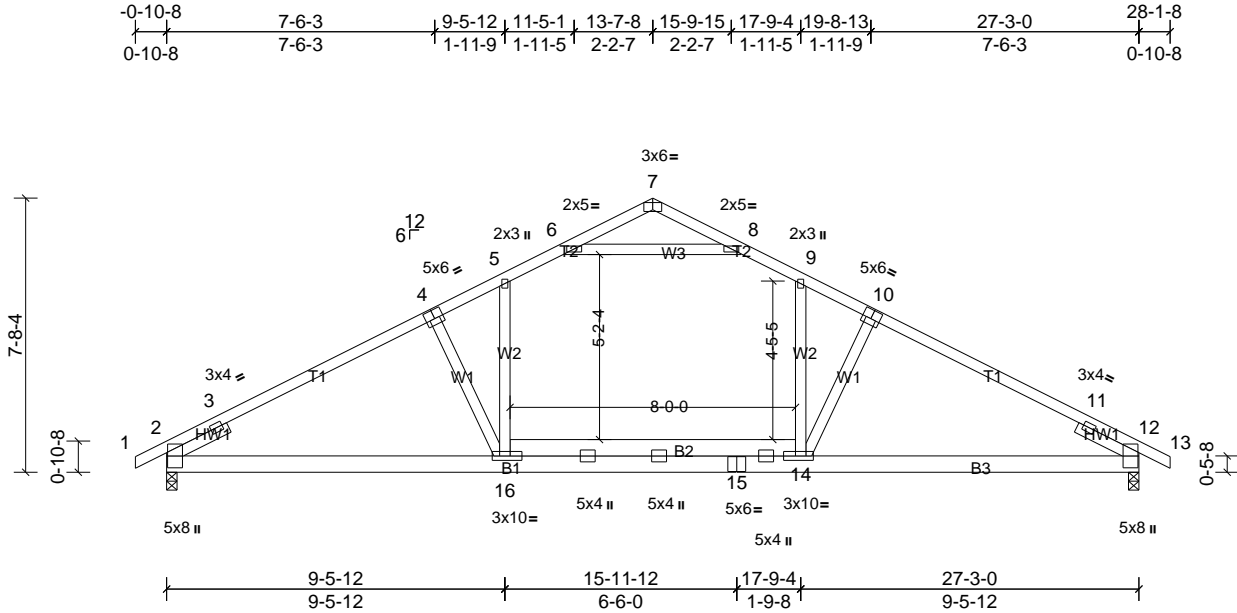


Plate Offsets (X, Y): [2:0-5-1,0-0-5], [4:0-3-0,0-3-0], [7:0-3-0,Edge], [10:0-3-0,0-3-0], [12:0-5-1,0-0-5], [14:0-2-8,0-1-8], [16:0-2-8,0-1-8]

Loading	(psf)	Spacing	2-3-0	CSI	DEFL	in	(loc)	l/defl	L/d	PLATES	GRIP	
TCLL (roof)	20.0	Plate Grip DOL	1.15	TC	0.81	Vert(LL)	-0.28	14-23	>999	240	MT20	244/190
TCDL	10.0	Lumber DOL	1.15	BC	0.78	Vert(CT)	-0.40	14-23	>817	180		
BCLL	0.0*	Rep Stress Incr	NO	WB	0.25	Horz(CT)	0.06	12	n/a	n/a		
BCDL	10.0	Code	IRC2015/TPI2014	Matrix-MSH		Attic	-0.18	14-16	>553	360	Weight: 171 lb	FT = 20%

LUMBER		BRACING	
TOP CHORD	2x4 SP SS *Except* T1:2x4 SP No.2	TOP CHORD	2-0-0 oc purlins (2-11-10 max.) (Switched from sheeted: Spacing > 2-0-0).
BOT CHORD	2x6 SP No.2	BOT CHORD	Rigid ceiling directly applied or 10-0-0 oc bracing.
WEBS	2x4 SP No.2 *Except* W1:2x4 SP No.3		
SLIDER	Left 2x4 SP No.3 -- 1-11-0, Right 2x4 SP No.3 -- 1-11-0		
REACTIONS			
(lb/size)	2=1332/0-3-8, (min. 0-1-11), 12=1332/0-3-8, (min. 0-1-11)		
Max Horiz	2=107 (LC 10)		
Max Uplift	2=-17 (LC 10), 12=-17 (LC 11)		
Max Grav	2=1449 (LC 2), 12=1449 (LC 2)		
FORCES			
(lb) - Max. Comp./Max. Ten. - All forces 250 (lb) or less except when shown.			
TOP CHORD	2-3=-821/0, 3-4=-2282/218, 4-5=-2139/233, 5-6=-1692/219, 6-7=0/321, 7-8=0/321, 8-9=-1692/219, 9-10=-2139/233, 10-11=-2282/218, 11-12=-708/0		
BOT CHORD	2-16=-116/1969, 15-16=0/1752, 14-15=0/1752, 12-14=-73/1969		
WEBS	9-14=-63/884, 10-14=-579/195, 5-16=-63/884, 4-16=-579/195, 6-8=-2061/208		

- NOTES**
- Unbalanced roof live loads have been considered for this design.
 - Wind: ASCE 7-10; Vult=115mph (3-second gust) Vasd=91mph; TCDL=6.0psf; BCDL=6.0psf; h=25ft; Cat. II; Exp B; Enclosed; MWFRS (envelope) exterior zone and C-C Exterior (2) zone; cantilever left and right exposed; end vertical left and right exposed; C-C for members and forces & MWFRS for reactions shown; Lumber DOL=1.60 plate grip DOL=1.60
 - This truss has been designed for a 10.0 psf bottom chord live load nonconcurrent with any other live loads.
 - * This truss has been designed for a live load of 20.0psf on the bottom chord in all areas where a rectangle 3-06-00 tall by 2-00-00 wide will fit between the bottom chord and any other members.
 - Ceiling dead load (5.0 psf) on member(s). 5-6, 8-9, 6-8
 - Bottom chord live load (40.0 psf) and additional bottom chord dead load (0.0 psf) applied only to room. 14-16
 - Provide mechanical connection (by others) of truss to bearing plate capable of withstanding 17 lb uplift at joint 2 and 17 lb uplift at joint 12.
 - This truss is designed in accordance with the 2015 International Residential Code sections R502.11.1 and R802.10.2 and referenced standard ANSI/TPI 1.
 - Graphical purlin representation does not depict the size or the orientation of the purlin along the top and/or bottom chord.
 - Attic room checked for L/360 deflection.



This design is based upon parameters shown, and is for an individual building component to be installed and loaded vertically. Applicability of design parameters and proper incorporation of component is responsibility of the Building Designer. Building Designer shall verify all design information on this sheet for conformance with conditions and requirements of the specific building and governing codes and ordinances. Building Designer accepts responsibility for the correctness or accuracy of the design information as it may relate to a specific building. Certification is valid only when truss is fabricated by a UFPI plant. Bracing shown is for lateral support of truss members only and does not replace erection and permanent bracing. Refer to Building Component Safety Information (BCSI) for general guidance regarding storage, erection and bracing available from SBCA and Truss Plate Institute.

