

Job 72435958	Truss A1T	Truss Type Truss	Qty 1	Ply 2	MUNGO HOMES - TELFAIR B ROOF Job Reference (optional)
-----------------	--------------	---------------------	----------	----------	----------------------------------------------------------

UFP Mid Atlantic LLC, 5631 S. NC 62, Burlington, NC, Chawn Duty

Run: 8.81 S Sep 13 2024 Print: 8.810 S Sep 13 2024 MiTek Industries, Inc. Mon Nov 18 09:08:52

Page: 1

ID:a?q6?71yTv6SHVH?OIZqv2z8gqv-DFjNlafZr9Twl0jOhx7ewA3?yPRG34mjybYbUQyl?uD

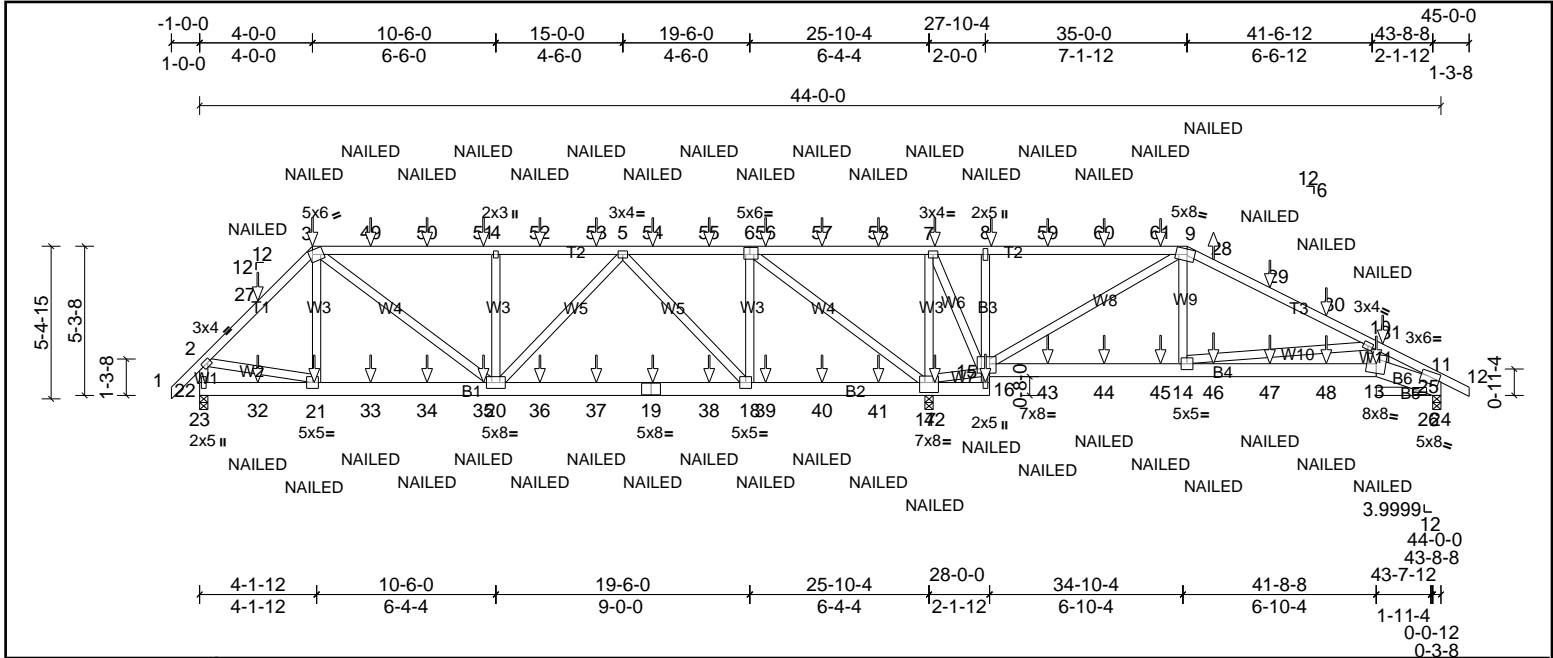


Plate Offsets (X, Y): [2:0-1-4,0-1-8], [3:0-1-8,0-1-12], [6:0-2-8,0-3-0], [9:0-3-4,0-2-4], [11:0-2-0,0-2-8], [15:0-2-12,0-4-0], [17:0-4-0,0-4-4]

Loading	(psf)	Spacing	2-0-0	CSI	DEFL	in	(loc)	l/defl	L/d	PLATES	GRIP	
TCLL (roof)	20.0	Plate Grip DOL	1.15	TC	0.49	Vert(LL)	0.07	18-20	>999	240	MT20	244/190
TCDL	10.0	Lumber DOL	1.15	BC	0.27	Vert(CT)	-0.08	18-20	>999	180		
BCLL	0.0*	Rep Stress Incr	NO	WB	0.59	Horz(CT)	0.03	11	n/a	n/a		
BCDL	10.0	Code	IRC2015/TPI2014	Matrix-MSH							Weight: 602 lb	FT = 20%

**LUMBER**  
TOP CHORD 2x4 SP No.2  
BOT CHORD 2x6 SP No.2 \*Except\* B3:2x4 SP No.3, B5:2x4 SP No.2, B6:2x8 SP No.2  
WEBS 2x4 SP No.3

**BRACING**  
TOP CHORD Structural wood sheathing directly applied or 6-0-0 oc purlins, except end verticals, and 2-0-0 oc purlins (6-0-0 max.): 3-9.  
BOT CHORD Rigid ceiling directly applied or 10-0-0 oc bracing, Except: 6-0-0 oc bracing: 16-17.

**REACTIONS** (lb/size) 11=731/0-3-8, (min. 0-1-8), 17=3028/0-3-8, (min. 0-1-14), 22=1214/0-3-8, (min. 0-1-8)  
Max Horiz 22=-164 (LC 6)  
Max Uplift 11=-270 (LC 9), 17=-2111 (LC 4), 22=-773 (LC 5)  
Max Grav 11=732 (LC 20), 17=3223 (LC 17), 22=1256 (LC 15)

**FORCES** (lb) - Max. Comp./Max. Ten. - All forces 250 (lb) or less except when shown.  
TOP CHORD 2-27=-1287/871, 3-27=-1168/840, 9-28=-488/338, 28-29=-539/329, 29-30=-552/332, 10-30=-645/327, 10-31=-1632/666, 11-31=-1695/674, 2-22=-1203/775, 3-49=-1487/1109, 49-50=-1487/1109, 50-51=-1487/1109, 4-51=-1487/1109, 4-52=-1487/1109, 52-53=-1487/1109, 5-53=-1487/1109, 5-54=-572/517, 54-55=-572/517, 6-55=-572/517, 6-56=-679/1224, 56-57=-679/1224, 57-58=-679/1224, 7-58=-679/1224, 7-8=-423/798, 8-59=-393/760, 59-60=-393/760, 60-61=-393/760, 9-61=-393/760  
BOT CHORD 21-33=-576/946, 33-34=-576/946, 34-35=-576/946, 20-35=-576/946, 20-36=-874/1273, 36-37=-874/1273, 19-37=-874/1273, 19-38=-874/1273, 18-38=-874/1273, 18-39=-451/682, 39-40=-451/682, 40-41=-451/682, 17-41=-451/682, 8-15=-356/290, 15-43=-203/553, 43-44=-203/553, 44-45=-203/553, 14-45=-203/553, 14-46=-577/1487, 46-47=-577/1487, 47-48=-577/1487, 13-48=-577/1487, 11-13=-567/1509  
WEBS 3-20=-617/832, 4-20=-536/513, 5-20=-249/483, 6-18=-465/918, 6-17=-2286/1523, 7-17=-1211/863, 15-17=-1065/758, 7-15=-557/934, 9-15=-1458/853, 9-14=-294/597, 10-14=-1013/420, 2-21=-585/888, 10-13=-13337, 5-18=-876/628

- NOTES**
- 2-ply truss to be connected together with 10d (0.131"x3") nails as follows:  
Top chords connected as follows: 2x4 - 1 row at 0-9-0 oc.  
Bottom chords connected as follows: 2x6 - 2 rows staggered at 0-9-0 oc, 2x4 - 1 row at 0-9-0 oc, 2x8 - 2 rows staggered at 0-9-0 oc.  
Web connected as follows: 2x4 - 1 row at 0-9-0 oc.
  - All loads are considered equally applied to all plies, except if noted as front (F) or back (B) face in the LOAD CASE(S) section. Ply to ply connections have been provided to distribute only loads noted as (F) or (B), unless otherwise indicated.
  - Unbalanced roof live loads have been considered for this design.
  - Wind: ASCE 7-10; Vult=130mph (3-second gust) Vasd=103mph; TCCL=6.0psf; BCDL=6.0psf; h=35ft; Cat. II; Exp B; Enclosed; MWFRS (envelope) exterior zone; cantilever left and right exposed; end vertical left and right exposed; Lumber DOL=1.60 plate grip DOL=1.60
  - Provide adequate drainage to prevent water ponding.
  - This truss has been designed for a 10.0 psf bottom chord live load nonconcurrent with any other live loads.
  - \* This truss has been designed for a live load of 20.0psf on the bottom chord in all areas where a rectangle 3-06-00 tall by 2-00-00 wide will fit between the bottom chord and any other members.
  - Bearing at joint(s) 11 considers parallel to grain value using ANSI/TPI 1 angle to grain formula. Building designer should verify capacity of bearing surface.
  - Provide mechanical connection (by others) of truss to bearing plate capable of withstanding 2111 lb uplift at joint 17, 773 lb uplift at joint 22 and 270 lb uplift at joint 11.
  - This truss is designed in accordance with the 2015 International Residential Code sections R502.11.1 and R802.10.2 and referenced standard ANSI/TPI 1.
  - Graphical purlin representation does not depict the size or the orientation of the purlin along the top and/or bottom chord.
  - "NAILED" indicates Girder: 3-10d (0.148" x 3") toe-nails per NDS guidelines.

**LOAD CASE(S)** Standard

- Dead + Roof Live (balanced): Lumber Increase=1.15, Plate Increase=1.15  
Uniform Loads (lb/ft)  
Vert: 1-2=-60, 2-3=-60, 9-12=-60, 16-22=-20, 13-15=-20, 13-24=-20, 3-9=-60  
Concentrated Loads (lb)



This design is based upon parameters shown, and is for an individual building component to be installed and loaded vertically. Applicability of design parameters and proper incorporation of component is responsibility of the Building Designer. Building Designer shall verify all design information on this sheet for conformance with conditions and requirements of the specific building and governing codes and ordinances. Building Designer accepts responsibility for the correctness or accuracy of the design information as it may relate to a specific building. Certification is valid only when truss is fabricated by a UFPI plant. Bracing shown is for lateral support of truss members only and does not replace erection and permanent bracing. Refer to Building Component Safety Information (BCSI) for general guidance regarding storage, erection and bracing available from SBCA and Truss Plate Institute.

Job 72435958	Truss A1T	Truss Type Truss	Qty 1	Ply 2	MUNGO HOMES - TELFAIR B ROOF Job Reference (optional)
-----------------	--------------	---------------------	----------	----------	----------------------------------------------------------

UFP Mid Atlantic LLC, 5631 S. NC 62, Burlington, NC, Chawn Duty

Run: 8.81 S Sep 13 2024 Print: 8.810 S Sep 13 2024 MiTek Industries, Inc. Mon Nov 18 09:08:52

Page: 2

ID:a?q6?71yTv6SHVH?OIZqv2z8gqv-DFjNlafZr9Twl0JOhx7ewA3?yPRG34mjbYbUQyl?uD

Vert: 3=-39 (F), 19=-23 (F), 16=-36 (F), 8=-25 (F), 13=-26 (F), 21=-23 (F), 7=-39 (F), 27=-39 (F), 28=22 (F), 29=-23 (F), 30=-31 (F),  
31=-46 (F), 32=-21 (F), 33=-23 (F), 34=-23 (F), 35=-23 (F), 36=-23 (F), 37=-23 (F), 38=-23 (F), 39=-23 (F), 40=-23 (F), 41=-23 (F),  
42=-23 (F), 43=-36 (F), 44=-36 (F), 45=-36 (F), 46=-123 (F), 47=-39 (F), 48=-30 (F), 49=-39 (F), 50=-39 (F), 51=-39 (F), 52=-39 (F),  
53=-39 (F), 54=-39 (F), 55=-39 (F), 56=-39 (F), 57=-39 (F), 58=-39 (F), 59=-25 (F), 60=-25 (F), 61=-25 (F)



This design is based upon parameters shown, and is for an individual building component to be installed and loaded vertically. Applicability of design parameters and proper incorporation of component is responsibility of the Building Designer. Building Designer shall verify all design information on this sheet for conformance with conditions and requirements of the specific building and governing codes and ordinances. Building Designer accepts responsibility for the correctness or accuracy of the design information as it may relate to a specific building. Certification is valid only when truss is fabricated by a UFPI plant. Bracing shown is for lateral support of truss members only and does not replace erection and permanent bracing. Refer to Building Component Safety Information (BCSI) for general guidance regarding storage, erection and bracing available from SBCA and Truss Plate Institute.



Job 72435958	Truss A2T	Truss Type Truss	Qty 1	Ply 1	MUNGO HOMES - TELFAIR B ROOF Job Reference (optional)
-----------------	--------------	---------------------	----------	----------	----------------------------------------------------------

UFP Mid Atlantic LLC, 5631 S. NC 62, Burlington, NC, Chawn Duty

Run: 8.81 S Sep 13 2024 Print: 8.810 S Sep 13 2024 MiTek Industries, Inc. Mon Nov 18 09:08:53

Page: 1

ID:a?q6?71yTv6SHVH?OIzQv2z8gqv-aDWGoHjifi5DrocLUUjpdDmohQ8CkIbS6tFM9eyl?u8

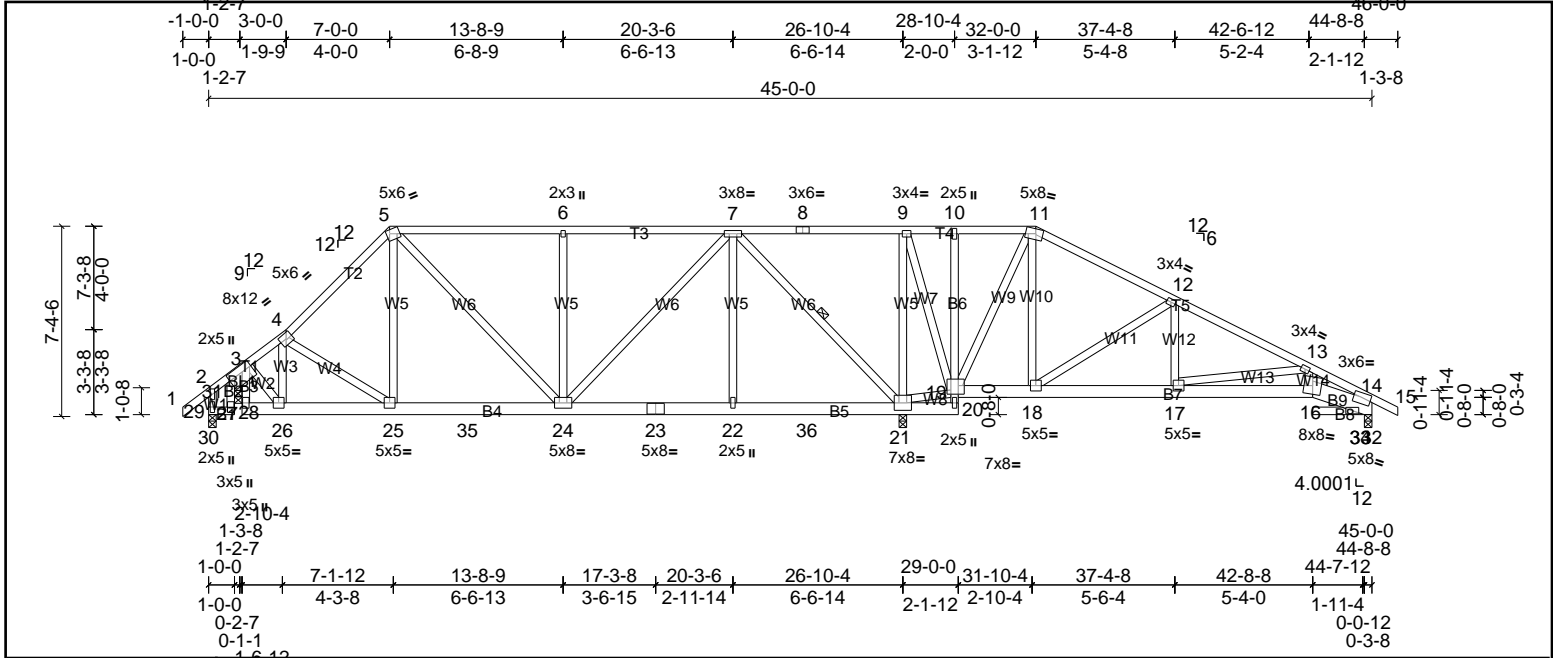


Plate Offsets (X, Y): [3:0-0-10,0-3-1], [5:0-1-8,0-1-12], [11:0-3-4,0-2-4], [14:0-2-0,0-2-8], [19:0-2-12,0-4-0]

Loading	(psf)	Spacing	2-0-0	CSI	DEFL	in	(loc)	l/defl	L/d	PLATES	GRIP	
TCLL (roof)	20.0	Plate Grip DOL	1.15	TC	0.68	Vert(LL)	0.03	16-17	>999	240	MT20	244/190
TCDL	10.0	Lumber DOL	1.15	BC	0.28	Vert(CT)	-0.06	16-17	>999	180		
BCLL	0.0*	Rep Stress Incr	NO	WB	0.81	Horz(CT)	0.02	14	n/a	n/a		
BCDL	10.0	Code	IRC2015/TPI2014	Matrix-MSH							Weight: 347 lb	FT = 20%

LUMBER	BRACING
TOP CHORD 2x4 SP No.2	TOP CHORD Structural wood sheathing directly applied or 5-9-5 oc purlins, except end verticals, and 2-0-0 oc purlins (5-10-6 max.): 5-11.
BOT CHORD 2x4 SP No.3 *Except* B1,B8:2x4 SP No.2, B4,B7,B5:2x6 SP No.2, B9:2x8 SP No.2	BOT CHORD Rigid ceiling directly applied or 6-0-0 oc bracing.
WEBS 2x4 SP No.3	WEBS 1 Row at midpt
OTHERS 2x4 SP No.3	

**REACTIONS**  
 All bearings 0-3-8.  
 (lb) - Max Horiz 29=-215 (LC 8)  
 Max Uplift All uplift 100 (lb) or less at joint(s) except 14=-120 (LC 11), 21=-282 (LC 6), 29=-162 (LC 6), 31=-180 (LC 7)  
 Max Grav All reactions 250 (lb) or less at joint(s) 29 except 14=518 (LC 22), 21=2226 (LC 1), 31=963 (LC 21)

**FORCES** (lb) - Max. Comp./Max. Ten. - All forces 250 (lb) or less except when shown.  
 TOP CHORD 3-4=-637/185, 4-5=-872/250, 5-6=-741/266, 6-7=-741/266, 7-8=-27/688, 8-9=-27/688, 9-10=0/502, 10-11=0/497, 12-13=-496/133, 13-14=-1005/211  
 BOT CHORD 3-31=-929/145, 25-26=-92/499, 25-35=-80/604, 24-35=-80/604, 23-24=-106/409, 22-23=-106/409, 22-36=-106/409, 21-36=-106/409, 17-18=0/390, 16-17=-150/864, 14-16=-138/875  
 WEBS 3-26=-91/716, 4-26=-413/101, 6-24=-430/207, 7-21=-1344/290, 19-21=-633/334, 9-19=-82/568, 11-19=-810/200, 11-18=-63/416, 12-18=-621/237, 12-17=0/324, 13-17=-481/177, 7-22=0/312, 7-24=-138/618, 9-21=-889/246

- NOTES**
- Unbalanced roof live loads have been considered for this design.
  - Wind: ASCE 7-10; Vult=130mph (3-second gust) Vasd=103mph; TCCL=6.0psf; BCDL=6.0psf; h=35ft; Cat. II; Exp B; Enclosed; MWFRS (envelope) exterior zone and C-C Exterior (2) zone; cantilever left and right exposed; end vertical left and right exposed; C-C for members and forces & MWFRS for reactions shown; Lumber DOL=1.60 plate grip DOL=1.60
  - Provide adequate drainage to prevent water ponding.
  - This truss has been designed for a 10.0 psf bottom chord live load nonconcurrent with any other live loads.
  - \* This truss has been designed for a live load of 20.0psf on the bottom chord in all areas where a rectangle 3-06-00 tall by 2-00-00 wide will fit between the bottom chord and any other members, with BCDL = 10.0psf.
  - Bearing at joint(s) 14, 31 considers parallel to grain value using ANSI/TPI 1 angle to grain formula. Building designer should verify capacity of bearing surface.
  - Provide mechanical connection (by others) of truss to bearing plate capable of withstanding 162 lb uplift at joint 29, 281 lb uplift at joint 21, 119 lb uplift at joint 14 and 180 lb uplift at joint 31.
  - This truss is designed in accordance with the 2015 International Residential Code sections R502.11.1 and R802.10.2 and referenced standard ANSI/TPI 1.
  - Graphical purlin representation does not depict the size or the orientation of the purlin along the top and/or bottom chord.



This design is based upon parameters shown, and is for an individual building component to be installed and loaded vertically. Applicability of design parameters and proper incorporation of component is responsibility of the Building Designer. Building Designer shall verify all design information on this sheet for conformance with conditions and requirements of the specific building and governing codes and ordinances. Building Designer accepts responsibility for the correctness or accuracy of the design information as it may relate to a specific building. Certification is valid only when truss is fabricated by a UFPI plant. Bracing shown is for lateral support of truss members only and does not replace erection and permanent bracing. Refer to Building Component Safety Information (BCSI) for general guidance regarding storage, erection and bracing available from SBCA and Truss Plate Institute.



Job 72435958	Truss A3T	Truss Type Truss	Qty 1	Ply 1	MUNGO HOMES - TELFAIR B ROOF
					Job Reference (optional)

UFPI Mid Atlantic LLC, 5631 S. NC 62, Burlington, NC, Chawn Duty

Run: 8.81 S Sep 13 2024 Print: 8.810 S Sep 13 2024 MiTek Industries, Inc. Mon Nov 18 09:08:54

Page: 1

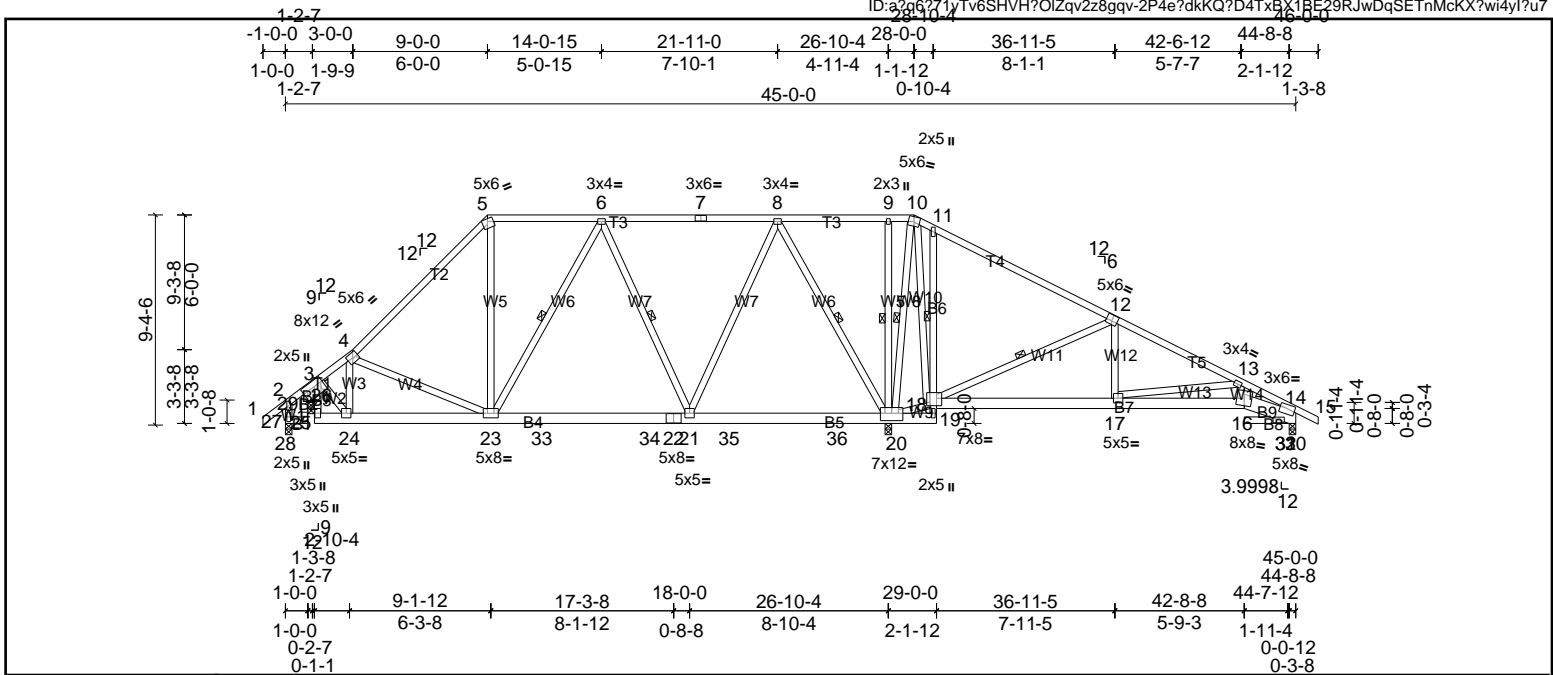


Plate Offsets (X, Y): [3:0-0-10,0-3-1-12], [14:0-2-0,0-2-8], [18:0-2-12,0-4-0], [20:0-6-0,0-4-0]

Loading	(psf)	Spacing	2-0-0	CSI	DEFL	in	(loc)	l/defl	L/d	PLATES	GRIP	
TCLL (roof)	20.0	Plate Grip DOL	1.15	TC	0.89	Vert(LL)	-0.06	21-23	>999	240	MT20	244/190
TCDL	10.0	Lumber DOL	1.15	BC	0.42	Vert(CT)	-0.10	21-23	>999	180		
BCLL	0.0*	Rep Stress Incr		NO	0.65	Horz(CT)	0.02	14	n/a	n/a		
BCDL	10.0	Code	IRC2015/TPI2014	Matrix-MSH							Weight: 358 lb	FT = 20%

LUMBER		BRACING	
TOP CHORD	2x4 SP No.2	TOP CHORD	Structural wood sheathing directly applied or 4-5-2 oc purlins, except end verticals, and 2-0-0 oc purlins (6-0-0 max.): 5-10.
BOT CHORD	2x4 SP No.3 *Except* B1,B8:2x4 SP No.2, B4,B7,B5:2x6 SP No.2, B9:2x8 SP No.2	BOT CHORD	Rigid ceiling directly applied or 6-0-0 oc bracing. Except:
WEBS	2x4 SP No.3	1 Row at midpt	11-18
OTHERS	2x4 SP No.3	WEBS	1 Row at midpt

REACTIONS	
All bearings	0-3-8.
(lb) - Max Horiz	27=-270 (LC 8)
Max Uplift	All uplift 100 (lb) or less at joint(s) except 14=-103 (LC 11), 20=-210 (LC 11), 27=-216 (LC 6), 29=-195 (LC 10)
Max Grav	All reactions 250 (lb) or less at joint(s) 27 except 14=447 (LC 22), 20=2309 (LC 1), 29=979 (LC 17)

FORCES	
(lb) - Max. Comp./Max. Ten. - All forces 250 (lb) or less except when shown.	
TOP CHORD	3-4=-666/177, 4-5=-888/240, 5-6=-555/265, 6-7=-481/203, 7-8=-481/203, 8-9=0/627, 9-10=0/635, 10-11=0/478, 11-12=-78/676, 12-13=-316/84, 13-14=-812/162
BOT CHORD	3-29=958/130, 23-24=-132/570, 23-33=-129/625, 33-34=-129/625, 22-34=-129/625, 21-22=-129/625, 21-35=-163/295, 35-36=-163/295, 20-36=-163/295, 11-18=-513/378, 16-17=-110/694, 14-16=-101/705
WEBS	4-24=-430/143, 5-23=-56/303, 6-21=-480/190, 8-21=-61/747, 8-20=-1205/312, 18-20=-558/486, 12-18=-799/295, 12-17=0/392, 13-17=-470/181, 10-18=-294/591, 10-20=-594/105, 3-24=-115/805

- NOTES**
- Unbalanced roof live loads have been considered for this design.
  - Wind: ASCE 7-10; Vult=130mph (3-second gust) Vasd=103mph; TCCL=6.0psf; BCDL=6.0psf; h=35ft; Cat. II; Exp B; Enclosed; MWFRS (envelope) exterior zone and C-C Exterior (2) zone; cantilever left and right exposed; end vertical left and right exposed; C-C for members and forces & MWFRS for reactions shown; Lumber DOL=1.60 plate grip DOL=1.60
  - Provide adequate drainage to prevent water ponding.
  - This truss has been designed for a 10.0 psf bottom chord live load nonconcurrent with any other live loads.
  - \* This truss has been designed for a live load of 20.0psf on the bottom chord in all areas where a rectangle 3-06-00 tall by 2-00-00 wide will fit between the bottom chord and any other members, with BCDL = 10.0psf.
  - Bearing at joint(s) 14, 29 considers parallel to grain value using ANSI/TPI 1 angle to grain formula. Building designer should verify capacity of bearing surface.
  - Provide mechanical connection (by others) of truss to bearing plate capable of withstanding 215 lb uplift at joint 27, 209 lb uplift at joint 20, 102 lb uplift at joint 14 and 195 lb uplift at joint 29.
  - This truss is designed in accordance with the 2015 International Residential Code sections R502.11.1 and R802.10.2 and referenced standard ANSI/TPI 1.
  - Graphical purlin representation does not depict the size or the orientation of the purlin along the top and/or bottom chord.



This design is based upon parameters shown, and is for an individual building component to be installed and loaded vertically. Applicability of design parameters and proper incorporation of component is responsibility of the Building Designer. Building Designer shall verify all design information on this sheet for conformance with conditions and requirements of the specific building and governing codes and ordinances. Building Designer accepts responsibility for the correctness or accuracy of the design information as it may relate to a specific building. Certification is valid only when truss is fabricated by a UFPI plant. Bracing shown is for lateral support of truss members only and does not replace erection and permanent bracing. Refer to Building Component Safety Information (BCSI) for general guidance regarding storage, erection and bracing available from SBCA and Truss Plate Institute.







Job 72435958	Truss A5T	Truss Type Truss	Qty 1	Ply 1	MUNGO HOMES - TELFAIR B ROOF Job Reference (optional)
-----------------	--------------	---------------------	----------	----------	----------------------------------------------------------

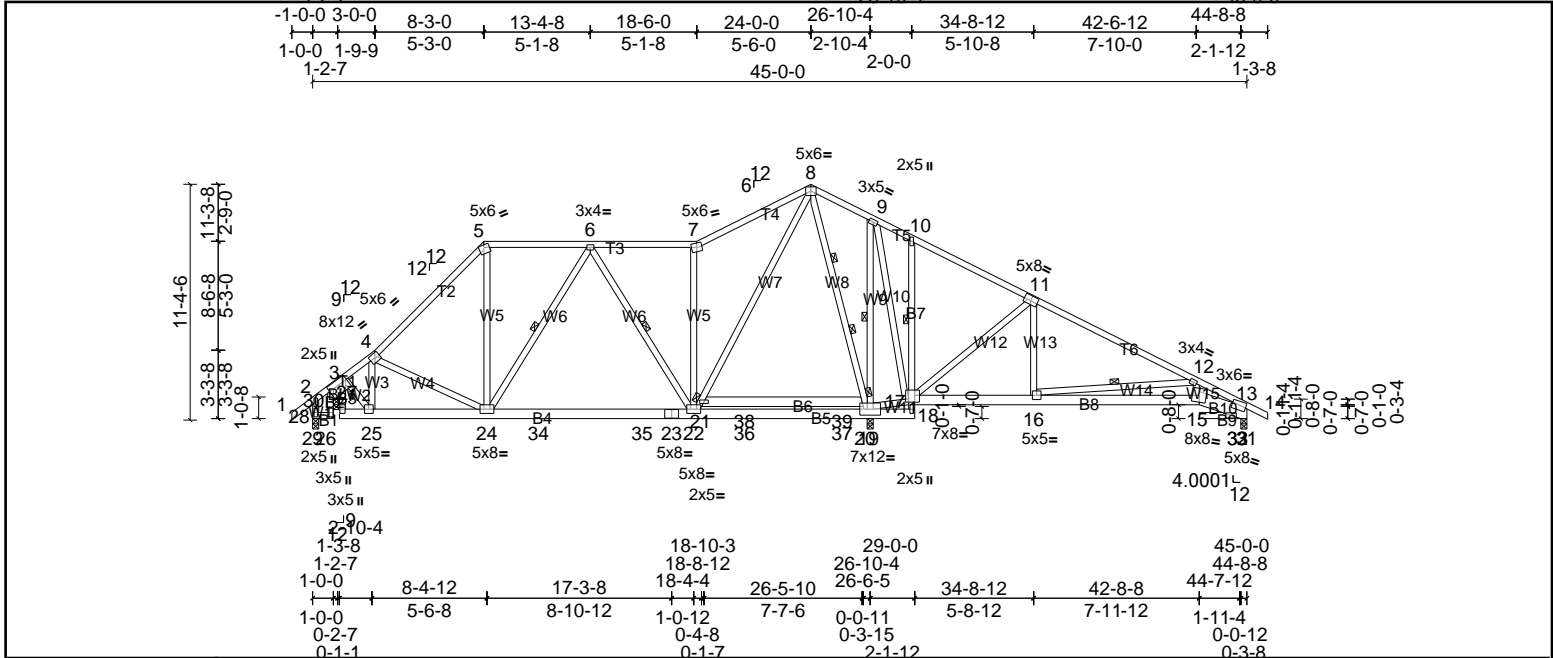


Plate Offsets (X, Y): [3:0-0-10,0-3-1], [4:0-2-0,0-3-0], [13:0-2-0,0-2-8], [17:0-2-12,0-4-0]

Loading	(psf)	Spacing	2-0-0	CSI	DEFL	in	(loc)	l/defl	L/d	PLATES	GRIP	
TCLL (roof)	20.0	Plate Grip DOL	1.15	TC	0.82	Vert(LL)	-0.11	20-21	>999	240	MT20	244/190
TCDL	10.0	Lumber DOL	1.15	BC	0.53	Vert(CT)	-0.18	20-21	>999	180		
BCLL	0.0*	Rep Stress Incr	NO	WB	0.79	Horz(CT)	0.02	13	n/a	n/a		
BCDL	10.0	Code	IRC2015/TPI2014	Matrix-MSH							Weight: 384 lb	FT = 20%

LUMBER		BRACING	
TOP CHORD	2x4 SP No.2	TOP CHORD	Structural wood sheathing directly applied or 4-9-13 oc purlins, except end verticals, and 2-0-0 oc purlins (6-0-0 max.): 5-7.
BOT CHORD	2x6 SP No.2 *Except* B1,B9:2x4 SP No.2, B2,B3,B7:2x4 SP No.3, B10:2x8 SP No.2	BOT CHORD	Rigid ceiling directly applied or 6-0-0 oc bracing. Except:
WEBS	2x4 SP No.3	1 Row at midpt	10-17
OTHERS	2x4 SP No.3	WEBS	1 Row at midpt
REACTIONS	All bearings 0-3-8. (lb) - Max Horiz 28=-284 (LC 8) Max Uplift All uplift 100 (lb) or less at joint(s) 13 except 19=-212 (LC 11), 28=-231 (LC 6), 30=-320 (LC 10) Max Grav All reactions 250 (lb) or less at joint(s) 28 except 13=481 (LC 22), 19=2522 (LC 2), 30=1057 (LC 17)	WEBS	2 Rows at 1/3 pts
FORCES	(lb) - Max. Comp./Max. Ten. - All forces 250 (lb) or less except when shown.		
TOP CHORD	3-4=-629/156, 4-5=-912/199, 5-6=-584/225, 6-7=-532/145, 7-8=-667/243, 8-9=0/756, 9-10=0/620, 10-11=-77/650, 12-13=-1057/182		
BOT CHORD	3-30=-972/235, 24-25=-185/550, 24-34=-87/685, 34-35=-87/685, 23-35=-87/685, 22-23=-87/685, 22-36=-285/385, 36-37=-285/385, 19-37=-285/385, 15-16=-163/959, 13-15=-129/956		
WEBS	3-25=-1777/776, 4-25=-478/161, 5-24=-5/331, 6-22=-396/174, 7-22=-539/262, 21-22=-319/1175, 8-21=-269/1321, 17-19=-596/450, 11-17=-726/272, 11-16=0/410, 12-16=-865/350, 12-15=0/265, 9-19=-553/214, 9-17=-158/459, 8-20=-1525/286, 19-20=-1690/235		

- NOTES**
- Unbalanced roof live loads have been considered for this design.
  - Wind: ASCE 7-10; Vult=130mph (3-second gust) Vasd=103mph; TCCL=6.0psf; BCDL=6.0psf; h=35ft; Cat. II; Exp B; Enclosed; MWFRS (envelope) exterior zone and C-C Exterior (2) zone; cantilever left and right exposed; end vertical left and right exposed; C-C for members and forces & MWFRS for reactions shown; Lumber DOL=1.60 plate grip DOL=1.60
  - Provide adequate drainage to prevent water ponding.
  - This truss has been designed for a 10.0 psf bottom chord live load nonconcurrent with any other live loads.
  - \* This truss has been designed for a live load of 20.0psf on the bottom chord in all areas where a rectangle 3-06-00 tall by 2-00-00 wide will fit between the bottom chord and any other members, with BCDL = 10.0psf.
  - Bearing at joint(s) 13, 30 considers parallel to grain value using ANSI/TPI 1 angle to grain formula. Building designer should verify capacity of bearing surface.
  - Provide mechanical connection (by others) of truss to bearing plate capable of withstanding 100 lb uplift at joint(s) 13 except (jt=lb) 28=230, 19=211, 30=319.
  - This truss is designed in accordance with the 2015 International Residential Code sections R502.11.1 and R802.10.2 and referenced standard ANSI/TPI 1.
  - Graphical purlin representation does not depict the size or the orientation of the purlin along the top and/or bottom chord.



Job 72435958	Truss A6T	Truss Type Truss	Qty 1	Ply 1	MUNGO HOMES - TELFAIR B ROOF Job Reference (optional)
-----------------	--------------	---------------------	----------	----------	----------------------------------------------------------

UFP Mid Atlantic LLC, 5631 S. NC 62, Burlington, NC, Chawn Duty

Run: 8.81 S Sep 13 2024 Print: 8.810 S Sep 13 2024 MiTek Industries, Inc. Mon Nov 18 09:08:56

Page: 1

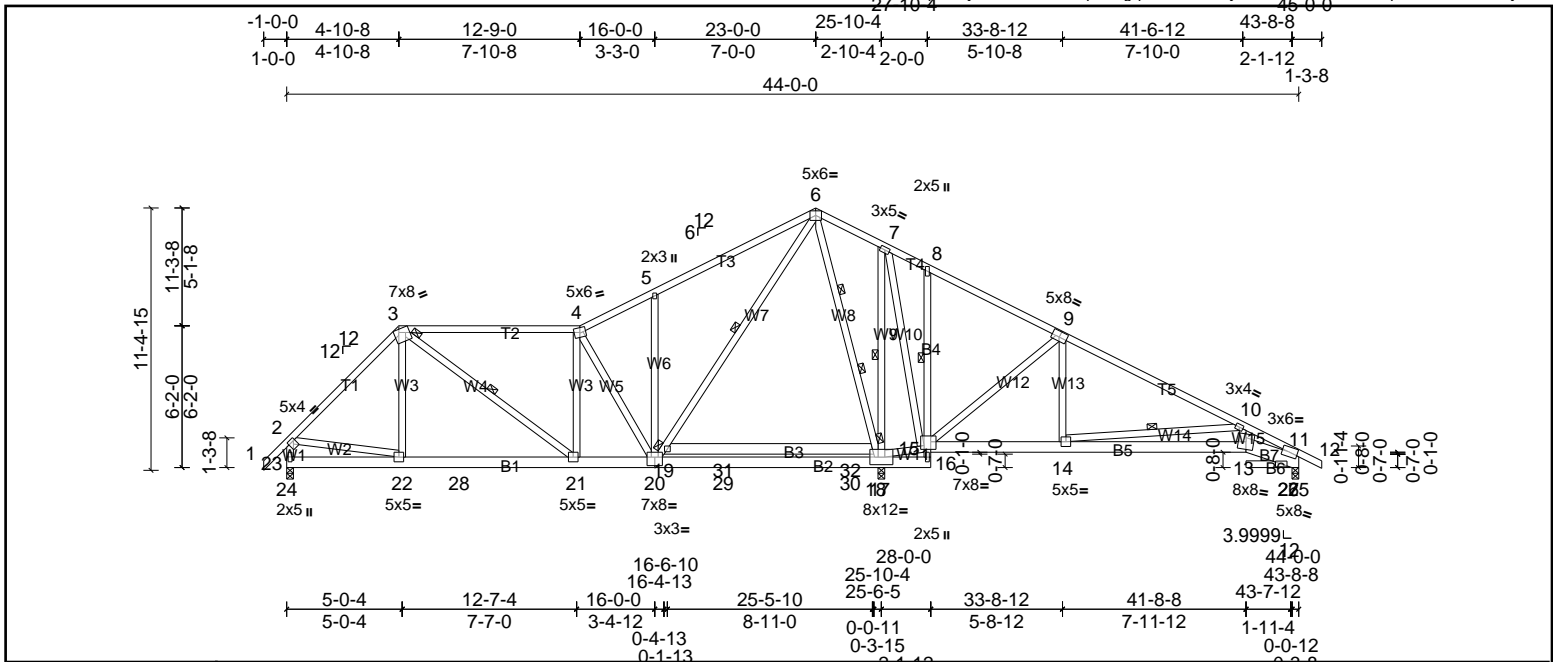


Plate Offsets (X, Y): [2:0-0-12,0-1-8], [3:0-2-11,Edge], [9:0-4-0,0-3-0], [11:0-1-4,0-1-9], [15:0-2-12,0-4-0], [20:0-4-0,0-4-8]

Loading	(psf)	Spacing	2-3-0	CSI	DEFL	in	(loc)	l/defl	L/d	PLATES	GRIP	
TCLL (roof)	20.0	Plate Grip DOL	1.15	TC	0.95	Vert(LL)	-0.21	18-19	>999	240	MT20	244/190
TCDL	10.0	Lumber DOL	1.15	BC	0.85	Vert(CT)	-0.36	18-19	>854	180		
BCLL	0.0*	Rep Stress Incr	NO	WB	0.89	Horz(CT)	0.03	11	n/a	n/a		
BCDL	10.0	Code	IRC2015/TPI2014	Matrix-MSH							Weight: 371 lb	FT = 20%

LUMBER		BRACING	
TOP CHORD	2x4 SP No.2 *Except* T2:2x4 SP SS	TOP CHORD	2-0-0 oc purlins (3-2-2 max.), except end verticals (Switched from sheeted: Spacing > 2-0-0).
BOT CHORD	2x6 SP No.2 *Except* B4:2x4 SP No.3, B6:2x4 SP No.2, B7:2x8 SP No.2	BOT CHORD	Rigid ceiling directly applied or 6-0-0 oc bracing. Except:
WEBS	2x4 SP No.3	WEBS	1 Row at midpt
<b>REACTIONS</b>	(lb/size) 11=464/0-3-8, (min. 0-1-8), 17=2866/0-3-8, (min. 0-3-7), 23=969/0-3-8, (min. 0-1-8)	WEBS	2 Rows at 1/3 pts
	Max Horiz 23=-284 (LC 8)		
	Max Uplift 11=-106 (LC 11), 17=-207 (LC 11), 23=-179 (LC 10)		
	Max Grav 11=524 (LC 22), 17=2902 (LC 2), 23=1067 (LC 21)		
<b>FORCES</b>	(lb) - Max. Comp./Max. Ten. - All forces 250 (lb) or less except when shown.		
TOP CHORD	2-3=-1059/187, 3-4=-947/204, 4-5=-776/158, 5-6=-840/323, 6-7=0/933, 7-8=0/781, 8-9=-918/19, 10-11=-1145/211, 2-23=-1023/221		
BOT CHORD	22-23=-301/374, 22-28=-171/762, 21-28=-171/762, 20-21=-156/950, 20-29=-318/429, 29-30=-318/429, 17-30=-318/429, 13-14=-198/1040, 11-13=-160/1037		
WEBS	3-21=-51/339, 4-20=-651/206, 15-17=-713/524, 7-15=-201/479, 9-15=-814/306, 10-14=-970/394, 2-22=-73/617, 10-13=0/290, 9-14=0/457, 7-17=-580/246, 6-18=-1775/367, 17-18=-1920/302, 19-20=-425/1304, 6-19=-362/1493, 5-20=-392/299		

- NOTES**
- Unbalanced roof live loads have been considered for this design.
  - Wind: ASCE 7-10; Vult=130mph (3-second gust) Vasd=103mph; TCDL=6.0psf; BCDL=6.0psf; h=35ft; Cat. II; Exp B; Enclosed; MWFRS (envelope) exterior zone and C-C Exterior (2) zone; cantilever left and right exposed; end vertical left and right exposed; C-C for members and forces & MWFRS for reactions shown; Lumber DOL=1.60 plate grip DOL=1.60
  - Provide adequate drainage to prevent water ponding.
  - This truss has been designed for a 10.0 psf bottom chord live load nonconcurrent with any other live loads.
  - \* This truss has been designed for a live load of 20.0psf on the bottom chord in all areas where a rectangle 3-06-00 tall by 2-00-00 wide will fit between the bottom chord and any other members, with BCDL = 10.0psf.
  - Bearing at joint(s) 11 considers parallel to grain value using ANSI/TPI 1 angle to grain formula. Building designer should verify capacity of bearing surface.
  - Provide mechanical connection (by others) of truss to bearing plate capable of withstanding 207 lb uplift at joint 17, 179 lb uplift at joint 23 and 106 lb uplift at joint 11.
  - This truss is designed in accordance with the 2015 International Residential Code sections R502.11.1 and R802.10.2 and referenced standard ANSI/TPI 1.
  - Graphical purlin representation does not depict the size or the orientation of the purlin along the top and/or bottom chord.



This design is based upon parameters shown, and is for an individual building component to be installed and loaded vertically. Applicability of design parameters and proper incorporation of component is responsibility of the Building Designer. Building Designer shall verify all design information on this sheet for conformance with conditions and requirements of the specific building and governing codes and ordinances. Building Designer accepts responsibility for the correctness or accuracy of the design information as it may relate to a specific building. Certification is valid only when truss is fabricated by a UFPI plant. Bracing shown is for lateral support of truss members only and does not replace erection and permanent bracing. Refer to Building Component Safety Information (BCSI) for general guidance regarding storage, erection and bracing available from SBCA and Truss Plate Institute.



Job 72435958	Truss A7	Truss Type Truss	Qty 1	Ply 1	MUNGO HOMES - TELFAIR B ROOF
UFP Mid Atlantic LLC, 5631 S. NC 62, Burlington, NC, Chawn Duty					Job Reference (optional)

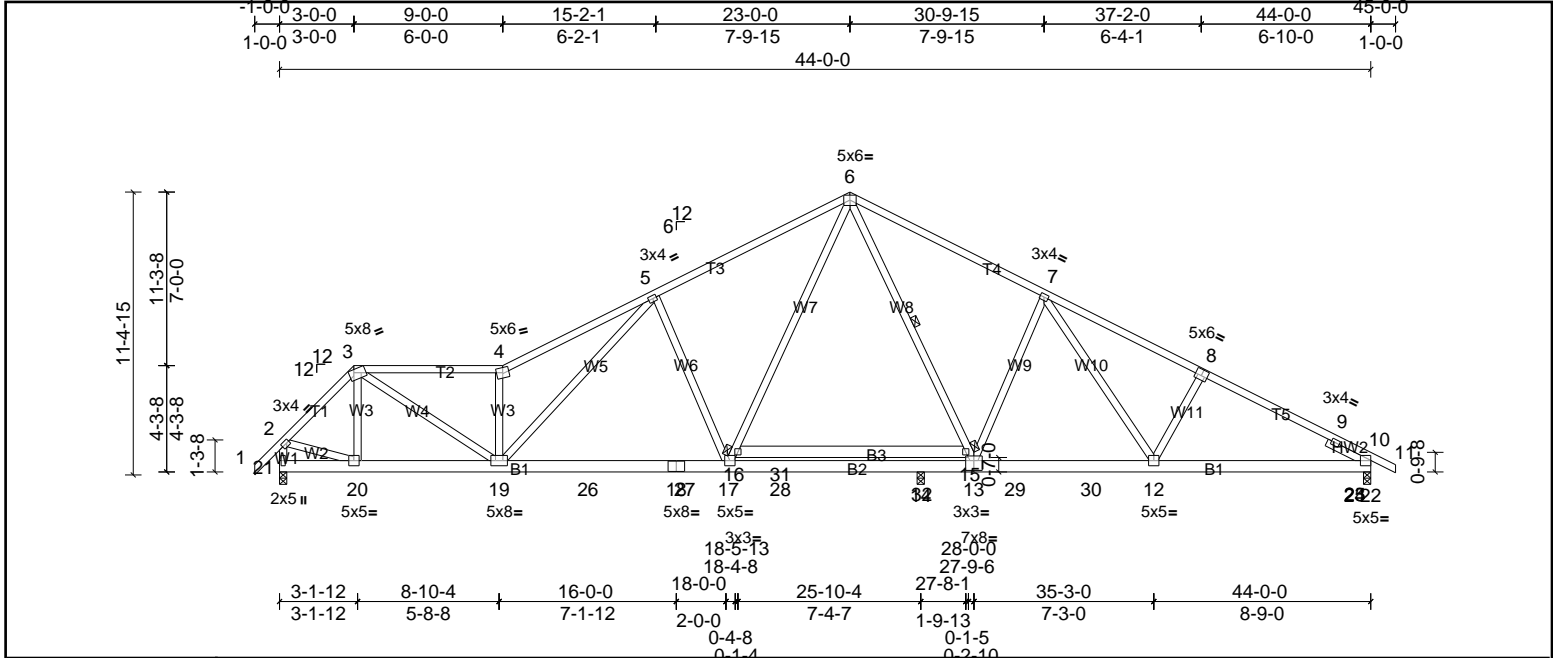


Plate Offsets (X, Y): [2:0-1-4,0-1-8], [3:0-5-8,Edge], [8:0-3-0,0-3-0], [10:Edge,0-2-9], [13:0-4-0,0-4-12]

Loading	(psf)	Spacing	2-0-0	CSI	DEFL	in	(loc)	l/defl	L/d	PLATES	GRIP	
TCLL (roof)	20.0	Plate Grip DOL	1.15	TC	0.93	Vert(LL)	-0.28	15-16	>999	240	MT20	244/190
TCDL	10.0	Lumber DOL	1.15	BC	0.99	Vert(CT)	-0.54	15-16	>574	180		
BCLL	0.0*	Rep Stress Incr	YES	WB	0.89	Horz(CT)	0.05	10	n/a	n/a		
BCDL	10.0	Code	IRC2015/TPI2014	Matrix-MSH							Weight: 318 lb	FT = 20%

LUMBER		BRACING	
TOP CHORD	2x4 SP No.2	TOP CHORD	Structural wood sheathing directly applied, except end verticals, and 2-0-0 oc purlins (2-2-0 max.): 3-4.
BOT CHORD	2x6 SP No.1 *Except* B3:2x6 SP No.2	BOT CHORD	Rigid ceiling directly applied or 2-2-0 oc bracing.
WEBS	2x4 SP No.3	WEBS	1 Row at midpt
SLIDER	Right 2x4 SP No.3 -- 1-11-0		6-15

REACTIONS	(lb/size)	10=1268/0-3-8, (min. 0-1-8), 14=1101/0-3-8, (min. 0-1-8), 21=1458/0-3-8, (min. 0-1-12)
Max Horiz	21=-225 (LC 8)	
Max Uplift	10=-184 (LC 11), 14=-36 (LC 10), 21=-205 (LC 10)	
Max Grav	10=1268 (LC 1), 14=1261 (LC 2), 21=1458 (LC 1)	

FORCES	(lb) - Max. Comp./Max. Ten. - All forces 250 (lb) or less except when shown.
TOP CHORD	2-3=-1419/334, 3-4=-2421/551, 4-5=-2819/714, 5-6=-1772/531, 6-7=-1252/461, 7-8=-1871/525, 8-9=-1997/494, 9-10=-673/0, 2-21=-1427/356
BOT CHORD	19-20=-227/969, 19-26=-200/1791, 18-26=-200/1791, 18-27=-200/1791, 17-27=-200/1791, 17-28=0/1143, 14-28=0/1143, 13-14=0/1143, 13-29=-118/1290, 29-30=-118/1290, 12-30=-118/1290, 10-12=-305/1723
WEBS	2-20=-109/986, 8-12=-280/220, 5-17=-818/412, 6-15=-264/161, 13-15=-390/54, 7-13=-752/388, 7-12=-160/628, 5-19=-268/1049, 3-19=-331/1780, 16-17=-237/907, 6-16=-180/1101, 4-19=-1517/476, 3-20=-259/78

- NOTES**
- Unbalanced roof live loads have been considered for this design.
  - Wind: ASCE 7-10; Vult=130mph (3-second gust) Vasd=103mph; TCCL=6.0psf; BCDL=6.0psf; h=35ft; Cat. II; Exp B; Enclosed; MWFRS (envelope) exterior zone and C-C Exterior (2) zone; cantilever left and right exposed; end vertical left and right exposed; C-C for members and forces & MWFRS for reactions shown; Lumber DOL=1.60 plate grip DOL=1.60
  - Provide adequate drainage to prevent water ponding.
  - This truss has been designed for a 10.0 psf bottom chord live load nonconcurrent with any other live loads.
  - \* This truss has been designed for a live load of 20.0psf on the bottom chord in all areas where a rectangle 3-06-00 tall by 2-00-00 wide will fit between the bottom chord and any other members, with BCDL = 10.0psf.
  - Provide mechanical connection (by others) of truss to bearing plate capable of withstanding 205 lb uplift at joint 21, 184 lb uplift at joint 10 and 36 lb uplift at joint 14.
  - This truss is designed in accordance with the 2015 International Residential Code sections R502.11.1 and R802.10.2 and referenced standard ANSI/TPI 1.
  - Graphical purlin representation does not depict the size or the orientation of the purlin along the top and/or bottom chord.









Job 72435958	Truss A9B	Truss Type Truss	Qty 1	Ply 1	MUNGO HOMES - TELFAIR B ROOF Job Reference (optional)
-----------------	--------------	---------------------	----------	----------	----------------------------------------------------------

UFP Mid Atlantic LLC, 5631 S. NC 62, Burlington, NC, Chawn Duty

Run: 8.81 S Sep 13 2024 Print: 8.810 S Sep 13 2024 MiTek Industries, Inc. Mon Nov 18 09:08:57

Page: 1

ID:a?q6?71yTv6SHVH?OlZqv2z8gqv-S\_mmfemCjwbeKPv6jKohn3xPm1LFg8X21VDalPyl?u4

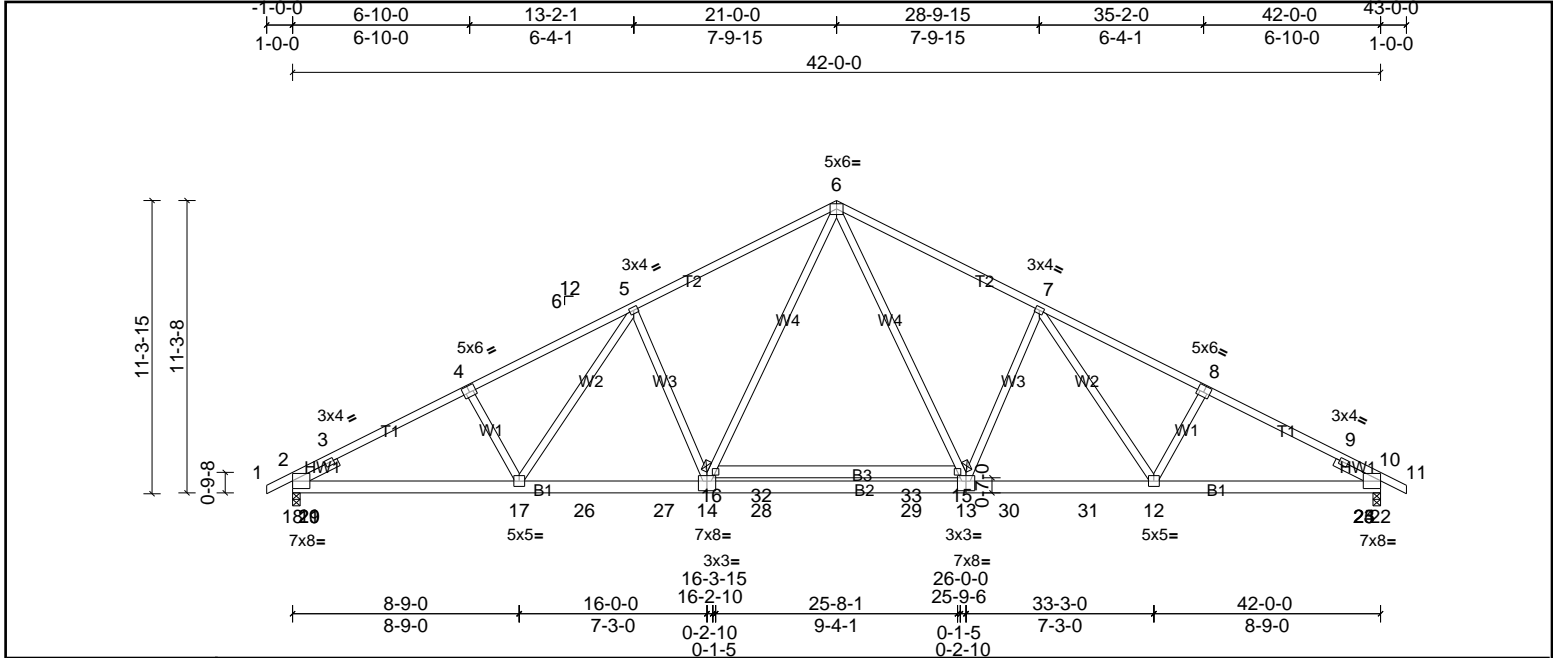


Plate Offsets (X, Y): [4:0-3-0,0-3-0], [8:0-3-0,0-3-0], [10:Edge,0-3-9], [13:0-4-0,0-4-8], [14:0-4-0,0-4-8]

Loading	(psf)	Spacing	2-0-0	CSI	DEFL	in	(loc)	l/defl	L/d	PLATES	GRIP	
TCLL (roof)	20.0	Plate Grip DOL	1.15	TC	1.00	Vert(LL)	-0.35	15-16	>999	240	MT20	244/190
TCDL	10.0	Lumber DOL	1.15	BC	0.92	Vert(CT)	-0.66	15-16	>765	180		
BCLL	0.0*	Rep Stress Incr	YES	WB	0.69	Horz(CT)	0.12	10	n/a	n/a		
BCDL	10.0	Code	IRC2015/TPI2014	Matrix-MSH							Weight: 291 lb	FT = 20%

**LUMBER**  
TOP CHORD 2x4 SP No.1  
BOT CHORD 2x6 SP No.2  
WEBS 2x4 SP No.3  
SLIDER Left 2x4 SP No.3 -- 1-11-0, Right 2x4 SP No.3 -- 1-11-0

**BRACING**  
TOP CHORD Structural wood sheathing directly applied.  
BOT CHORD Rigid ceiling directly applied or 2-2-0 oc bracing.

**REACTIONS**  
(lb/size) 2=1837/0-3-8, (min. 0-2-4), 10=1837/0-3-8, (min. 0-2-4)  
Max Horiz 2=192 (LC 10)  
Max Uplift 2=193 (LC 10), 10=193 (LC 11)  
Max Grav 2=1882 (LC 2), 10=1882 (LC 2)

**FORCES**  
(lb) - Max. Comp./Max. Ten. - All forces 250 (lb) or less except when shown.  
TOP CHORD 2-3=-1587/13, 3-4=-3249/674, 4-5=-3128/705, 5-6=-2787/679, 6-7=-2787/679, 7-8=-3128/705, 8-9=-3249/674, 9-10=-1345/13  
BOT CHORD 2-17=-465/2837, 17-26=-304/2599, 26-27=-304/2599, 14-27=-304/2599, 14-28=-97/2129, 28-29=-97/2129, 13-29=-97/2129, 13-30=-304/2599, 30-31=-304/2599, 12-31=-304/2599, 10-12=-465/2837  
WEBS 4-17=-261/217, 5-17=-113/370, 5-14=-631/365, 14-16=-244/903, 6-16=-194/1143, 6-15=-194/1143, 13-15=-244/903, 7-13=-631/365, 7-12=-113/370, 8-12=-261/217

- NOTES**
- Unbalanced roof live loads have been considered for this design.
  - Wind: ASCE 7-10; Vult=130mph (3-second gust) Vasd=103mph; TCCL=6.0psf; BCDL=6.0psf; h=35ft; Cat. II; Exp B; Enclosed; MWFRS (envelope) exterior zone and C-C Exterior (2) zone; cantilever left and right exposed; end vertical left and right exposed; C-C for members and forces & MWFRS for reactions shown; Lumber DOL=1.60 plate grip DOL=1.60
  - This truss has been designed for a 10.0 psf bottom chord live load nonconcurrent with any other live loads.
  - \* This truss has been designed for a live load of 20.0psf on the bottom chord in all areas where a rectangle 3-06-00 tall by 2-00-00 wide will fit between the bottom chord and any other members, with BCDL = 10.0psf.
  - Provide mechanical connection (by others) of truss to bearing plate capable of withstanding 193 lb uplift at joint 2 and 193 lb uplift at joint 10.
  - This truss is designed in accordance with the 2015 International Residential Code sections R502.11.1 and R802.10.2 and referenced standard ANSI/TPI 1.



This design is based upon parameters shown, and is for an individual building component to be installed and loaded vertically. Applicability of design parameters and proper incorporation of component is responsibility of the Building Designer. Building Designer shall verify all design information on this sheet for conformance with conditions and requirements of the specific building and governing codes and ordinances. Building Designer accepts responsibility for the correctness or accuracy of the design information as it may relate to a specific building. Certification is valid only when truss is fabricated by a UFPI plant. Bracing shown is for lateral support of truss members only and does not replace erection and permanent bracing. Refer to Building Component Safety Information (BCSI) for general guidance regarding storage, erection and bracing available from SBCA and Truss Plate Institute.





Job 72435958	Truss A11	Truss Type Truss	Qty 1	Ply 1	MUNGO HOMES - TELFAIR B ROOF Job Reference (optional)
-----------------	--------------	---------------------	----------	----------	----------------------------------------------------------

UFP Mid Atlantic LLC, 5631 S. NC 62, Burlington, NC, Chawn Duty

Run: 8.81 S Sep 13 2024 Print: 8.810 S Sep 13 2024 MiTek Industries, Inc. Mon Nov 18 09:08:57

Page: 1

ID:a?q6?71yTv6SHVH?OIZqv2z8gqv-S\_mmefmCjwbeKpv6jKohn3xQz1MLgEm21VDalFyl?u4

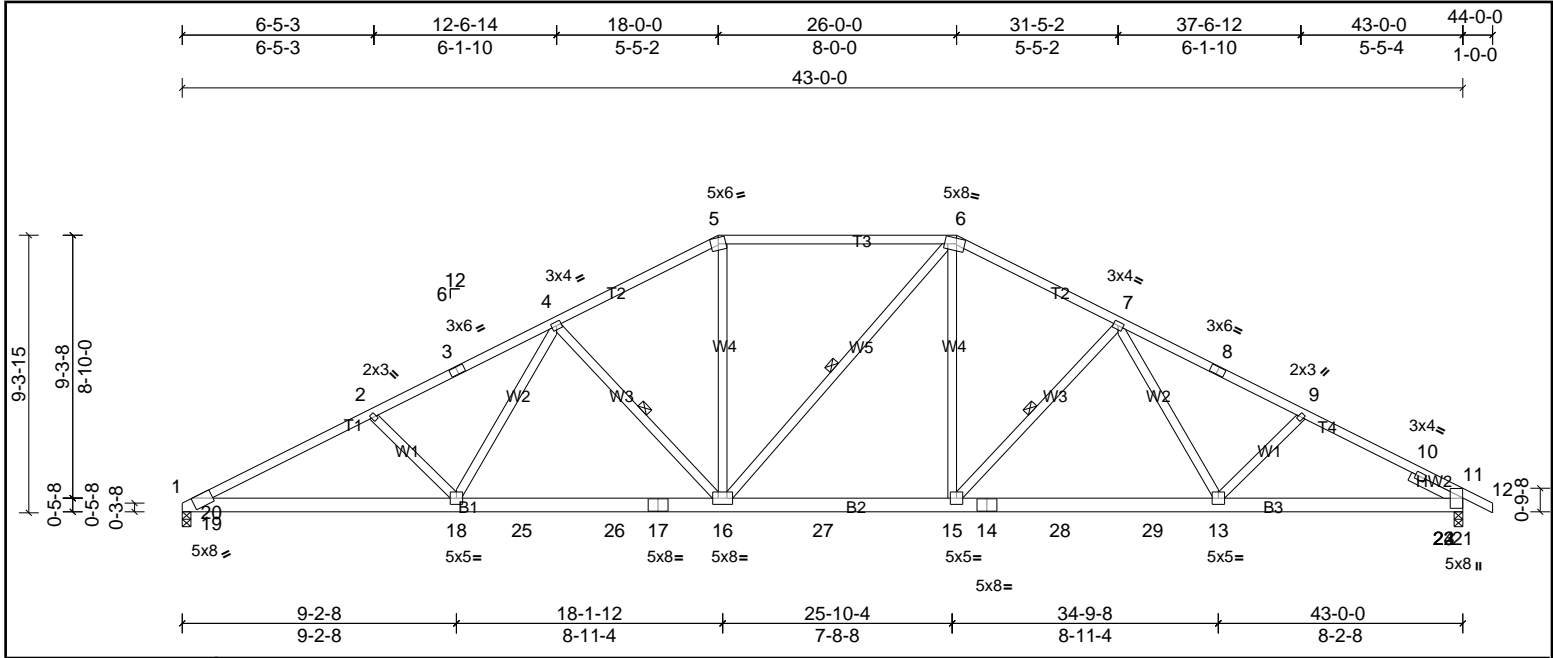


Plate Offsets (X, Y): [1:0-7-8,Edge], [6:0-3-4,0-2-4], [11:0-4-3,0-0-1]

Loading	(psf)	Spacing	2-0-0	CSI	DEFL	in	(loc)	l/defl	L/d	PLATES	GRIP	
TCLL (roof)	20.0	Plate Grip DOL	1.15	TC	0.92	Vert(LL)	-0.21	13-15	>999	240	MT20	244/190
TCDL	10.0	Lumber DOL	1.15	BC	0.85	Vert(CT)	-0.41	13-15	>999	180		
BCLL	0.0*	Rep Stress Incr	YES	WB	0.29	Horz(CT)	0.12	11	n/a	n/a		
BCDL	10.0	Code	IRC2015/TPI2014	Matrix-MSH							Weight: 272 lb	FT = 20%

LUMBER	BRACING
TOP CHORD: 2x4 SP No.2 *Except* T3:2x4 SP SS	TOP CHORD: Structural wood sheathing directly applied or 2-2-0 oc purlins, except 2-0-0 oc purlins (2-2-0 max.): 5-6.
BOT CHORD: 2x6 SP No.2	BOT CHORD: Rigid ceiling directly applied or 8-9-2 oc bracing.
WEBS: 2x4 SP No.3	WEBS: 1 Row at midpt
SLIDER: Right 2x4 SP No.3 -- 1-11-0	

REACTIONS	(lb/size)
	1=1713/0-3-8, (min. 0-2-0), 11=1775/0-3-8, (min. 0-2-2)
	Max Horiz 1=161 (LC 15)
	Max Uplift 1=207 (LC 10), 11=222 (LC 11)

FORCES	(lb) - Max. Comp./Max. Ten. - All forces 250 (lb) or less except when shown.
TOP CHORD	1-2=-3368/886, 2-3=-3135/830, 3-4=-3050/848, 4-5=-2334/718, 5-6=-2035/687, 6-7=-2329/712, 7-8=-2762/770, 8-9=-2836/752, 9-10=-3002/795, 10-11=-1228/199
BOT CHORD	1-18=-690/2974, 18-25=-474/2461, 25-26=-474/2461, 17-26=-474/2461, 16-17=-474/2461, 16-27=-266/2034, 15-27=-266/2034, 14-15=-444/2342, 14-28=-444/2342, 28-29=-444/2342, 13-29=-444/2342, 11-13=-593/2621
WEBS	2-18=-360/248, 4-18=-96/575, 4-16=-660/305, 5-16=-117/682, 6-15=-110/699, 7-15=-529/269, 7-13=-32/359

- NOTES**
- Unbalanced roof live loads have been considered for this design.
  - Wind: ASCE 7-10; Vult=130mph (3-second gust) Vasd=103mph; TCCL=6.0psf; BCDL=6.0psf; h=35ft; Cat. II; Exp B; Enclosed; MWFRS (envelope) exterior zone and C-C Exterior (2) zone; cantilever left and right exposed; end vertical left and right exposed; C-C for members and forces & MWFRS for reactions shown; Lumber DOL=1.60 plate grip DOL=1.60
  - Provide adequate drainage to prevent water ponding.
  - This truss has been designed for a 10.0 psf bottom chord live load nonconcurrent with any other live loads.
  - \* This truss has been designed for a live load of 20.0psf on the bottom chord in all areas where a rectangle 3-06-00 tall by 2-00-00 wide will fit between the bottom chord and any other members, with BCDL = 10.0psf.
  - Provide mechanical connection (by others) of truss to bearing plate capable of withstanding 207 lb uplift at joint 1 and 222 lb uplift at joint 11.
  - This truss is designed in accordance with the 2015 International Residential Code sections R502.11.1 and R802.10.2 and referenced standard ANSI/TPI 1.
  - Graphical purlin representation does not depict the size or the orientation of the purlin along the top and/or bottom chord.



This design is based upon parameters shown, and is for an individual building component to be installed and loaded vertically. Applicability of design parameters and proper incorporation of component is responsibility of the Building Designer. Building Designer shall verify all design information on this sheet for conformance with conditions and requirements of the specific building and governing codes and ordinances. Building Designer accepts responsibility for the correctness or accuracy of the design information as it may relate to a specific building. Certification is valid only when truss is fabricated by a UFPI plant. Bracing shown is for lateral support of truss members only and does not replace erection and permanent bracing. Refer to Building Component Safety Information (BCSI) for general guidance regarding storage, erection and bracing available from SBCA and Truss Plate Institute.





Job 72435958	Truss A12	Truss Type Truss	Qty 1	Ply 1	MUNGO HOMES - TELFAIR B ROOF Job Reference (optional)
-----------------	--------------	---------------------	----------	----------	----------------------------------------------------------

UFP Mid Atlantic LLC, 5631 S. NC 62, Burlington, NC, Chawn Duty

Run: 8.81 S Sep 13 2024 Print: 8.810 S Sep 13 2024 MiTek Industries, Inc. Mon Nov 18 09:08:58

Page: 1

ID:a?q6?71yTv6SHVH?OIzqv2z8gqv-wAK9?nrUEjVxZUJG1J\_KHTbqRhlPbcBF9z7ryl?u3

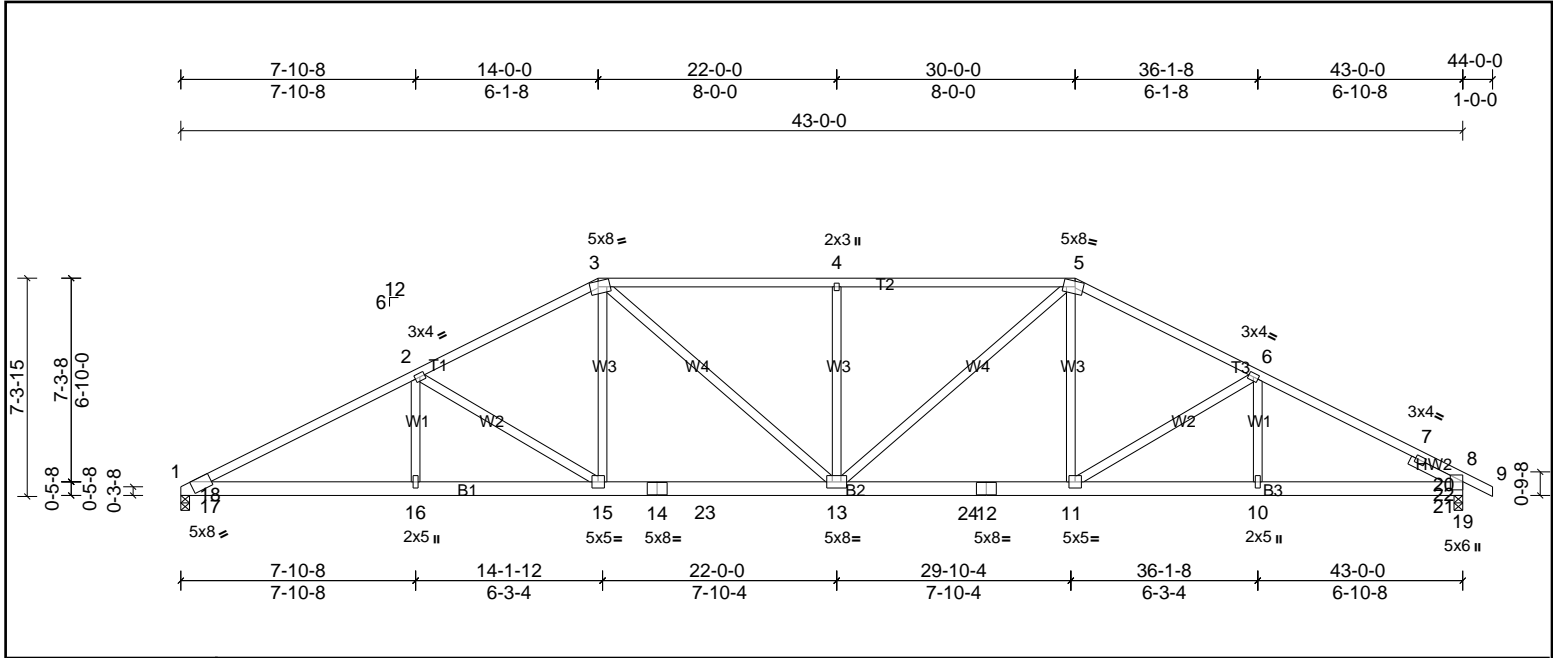


Plate Offsets (X, Y): [1:0-7-8,Edge], [3:0-3-4,0-2-4], [5:0-3-4,0-2-4]

Loading	(psf)	Spacing	2-0-0	CSI	DEFLL	in	(loc)	l/defl	L/d	PLATES	GRIP	
TCLL (roof)	20.0	Plate Grip DOL	1.15	TC	0.91	Vert(LL)	-0.19	13-15	>999	240	MT20	244/190
TCDL	10.0	Lumber DOL	1.15	BC	0.93	Vert(CT)	-0.38	13-15	>999	180		
BCLL	0.0*	Rep Stress Incr	YES	WB	0.70	Horz(CT)	0.12	8	n/a	n/a		
BCDL	10.0	Code	IRC2015/TPI2014	Matrix-MSH							Weight: 263 lb	FT = 20%

LUMBER	BRACING
TOP CHORD 2x4 SP No.2 *Except* T2:2x4 SP SS	TOP CHORD Structural wood sheathing directly applied, except
BOT CHORD 2x6 SP No.2	2-0-0 oc purlins (3-2-14 max.): 3-5.
WEBS 2x4 SP No.3	BOT CHORD Rigid ceiling directly applied or 2-2-0 oc bracing.
SLIDER Right 2x4 SP No.3 -- 1-11-0	

REACTIONS	(lb/size)
Max Horiz	1=126 (LC 15)
Max Uplift	1=170 (LC 10), 8=183 (LC 11)

FORCES	(lb) - Max. Comp./Max. Ten. - All forces 250 (lb) or less except when shown.
TOP CHORD	1-2=-3353/830, 2-3=-2711/731, 3-4=-2720/787, 4-5=-2720/787, 5-6=-2626/708, 6-7=-2951/741, 7-8=-1237/91
BOT CHORD	1-16=-617/2923, 15-16=-617/2923, 14-15=-375/2351, 14-23=-375/2351, 13-23=-375/2351, 13-24=-357/2281, 12-24=-357/2281, 11-12=-357/2281, 10-11=-526/2570, 8-10=-526/2570
WEBS	2-16=0/322, 2-15=-684/285, 3-15=-59/534, 3-13=-176/630, 4-13=-554/266, 5-13=-180/710, 5-11=-27/450, 6-11=-365/210

- NOTES**
- Unbalanced roof live loads have been considered for this design.
  - Wind: ASCE 7-10; Vult=130mph (3-second gust) Vasd=103mph; TCCL=6.0psf; BCDL=6.0psf; h=35ft; Cat. II; Exp B; Enclosed; MWFRS (envelope) exterior zone and C-C Exterior (2) zone; cantilever left and right exposed; end vertical left and right exposed; C-C for members and forces & MWFRS for reactions shown; Lumber DOL=1.60 plate grip DOL=1.60
  - Provide adequate drainage to prevent water ponding.
  - This truss has been designed for a 10.0 psf bottom chord live load nonconcurrent with any other live loads.
  - \* This truss has been designed for a live load of 20.0psf on the bottom chord in all areas where a rectangle 3-06-00 tall by 2-00-00 wide will fit between the bottom chord and any other members, with BCDL = 10.0psf.
  - Provide mechanical connection (by others) of truss to bearing plate capable of withstanding 170 lb uplift at joint 1 and 183 lb uplift at joint 8.
  - This truss is designed in accordance with the 2015 International Residential Code sections R502.11.1 and R802.10.2 and referenced standard ANSI/TPI 1.
  - Graphical purlin representation does not depict the size or the orientation of the purlin along the top and/or bottom chord.



This design is based upon parameters shown, and is for an individual building component to be installed and loaded vertically. Applicability of design parameters and proper incorporation of component is responsibility of the Building Designer. Building Designer shall verify all design information on this sheet for conformance with conditions and requirements of the specific building and governing codes and ordinances. Building Designer accepts responsibility for the correctness or accuracy of the design information as it may relate to a specific building. Certification is valid only when truss is fabricated by a UFPI plant. Bracing shown is for lateral support of truss members only and does not replace erection and permanent bracing. Refer to Building Component Safety Information (BCSI) for general guidance regarding storage, erection and bracing available from SBCA and Truss Plate Institute.



Job 72435958	Truss A13	Truss Type Truss	Qty 1	Ply 2	MUNGO HOMES - TELFAIR B ROOF Job Reference (optional)
-----------------	--------------	---------------------	----------	----------	----------------------------------------------------------

UFP Mid Atlantic LLC, 5631 S. NC 62, Burlington, NC, Chawn Duty

Run: 8.81 S Sep 13 2024 Print: 8.810 S Sep 13 2024 MiTek Industries, Inc. Mon Nov 18 09:09:00

Page: 1

ID:a?q6?71yTv6SHVH?OIzqv2z8gqv-wAK9r?nrUEjVxZUJG1J\_KHTa0Rm1PzPBF9z7ryrI?u3

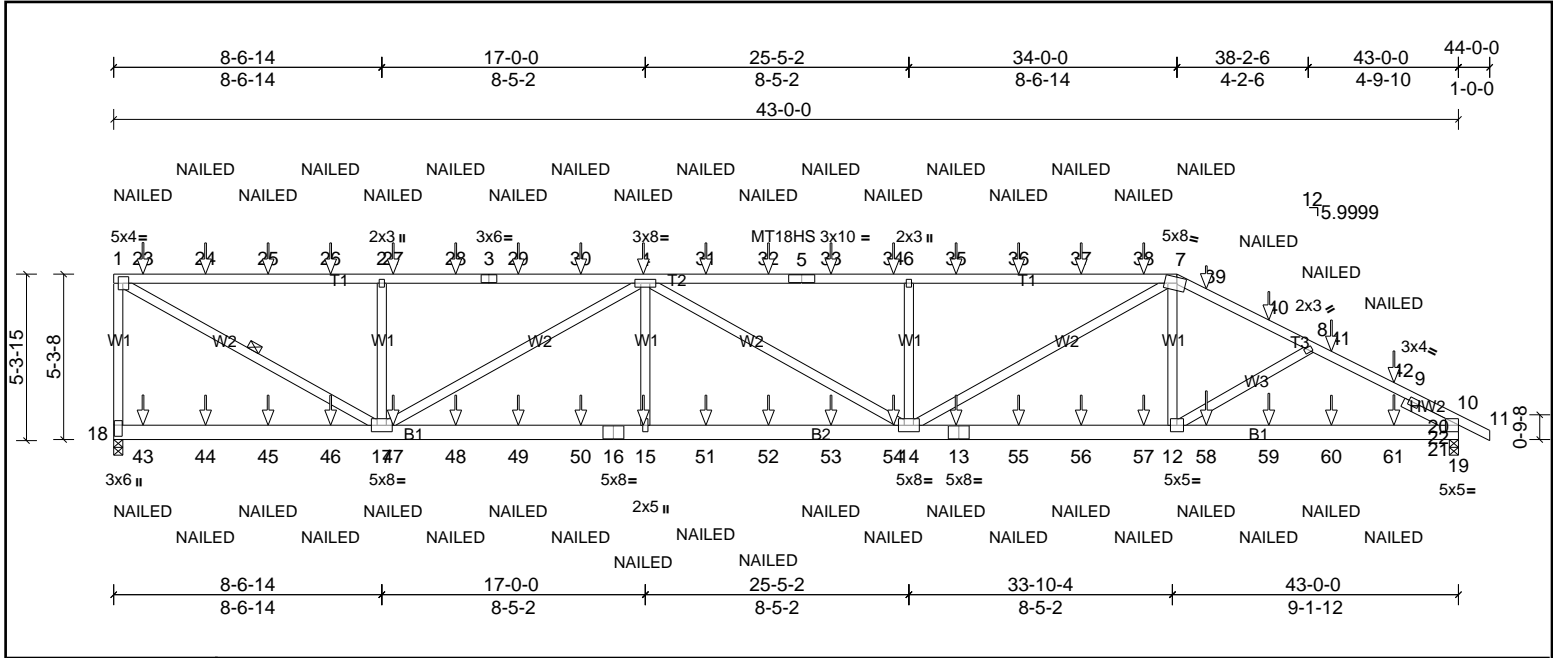


Plate Offsets (X, Y): [1:0-1-12,0-2-8], [7:0-3-4,0-2-4], [10:Edge,0-2-9], [18:0-4-4,0-1-8]

Loading	(psf)	Spacing	2-0-0	CSI	DEFL	in	(loc)	l/defl	L/d	PLATES	GRIP	
TCLL (roof)	20.0	Plate Grip DOL	1.15	TC	0.97	Vert(LL)	0.40	14-15	>999	240	MT20	244/190
TCDL	10.0	Lumber DOL	1.15	BC	0.62	Vert(CT)	-0.39	14-15	>999	180	MT18HS	244/190
BCLL	0.0*	Rep Stress Incr	NO	WB	0.81	Horz(CT)	-0.08	10	n/a	n/a		
BCDL	10.0	Code	IRC2015/TPI2014	Matrix-MSH							Weight: 534 lb	FT = 20%

LUMBER	BRACING
TOP CHORD 2x4 SP SS *Except* T3,T2:2x4 SP No.2	TOP CHORD Structural wood sheathing directly applied or 5-1-8 oc purlins, except end verticals, and 2-0-0 oc purlins (4-6-4 max.): 1-7.
BOT CHORD 2x6 SP No.2	BOT CHORD Rigid ceiling directly applied or 8-4-5 oc bracing.
WEBS 2x4 SP No.3	WEBS 1 Row at midpt
SLIDER Right 2x4 SP No.3 -- 1-11-0	

REACTIONS	(lb/size)	10=2484/0-3-8, (min. 0-1-8), 18=2402/0-3-8, (min. 0-1-9)
Max Horiz	18=-207 (LC 6)	
Max Uplift	10=-1467 (LC 4), 18=-1805 (LC 4)	
Max Grav	10=2563 (LC 17), 18=2628 (LC 17)	

FORCES	(lb) - Max. Comp./Max. Ten. - All forces 250 (lb) or less except when shown.
TOP CHORD	1-18=-2479/1775, 1-23=-3799/2593, 23-24=-3799/2593, 24-25=-3799/2593, 25-26=-3799/2593, 2-26=-3799/2593, 2-27=-3799/2593, 27-28=-3799/2593, 3-28=-3799/2593, 3-29=-3799/2593, 29-30=-3799/2593, 4-30=-3799/2593, 4-31=-5721/3850, 31-32=-5721/3850, 5-32=-5721/3850, 5-33=-5721/3850, 33-34=-5721/3850, 6-34=-5721/3850, 6-35=-5721/3850, 35-36=-5721/3850, 36-37=-5721/3850, 37-38=-5721/3850, 7-38=-5721/3850, 7-39=-4297/2829, 39-40=-4395/2827, 8-40=-4421/2829, 8-41=-4425/2794, 41-42=-4485/2798, 9-42=-4513/2813, 9-10=-2138/1138
BOT CHORD	17-47=-3728/5651, 47-48=-3728/5651, 48-49=-3728/5651, 49-50=-3728/5651, 16-50=-3728/5651, 15-50=-3728/5651, 15-51=-3728/5651, 51-52=-3728/5651, 52-53=-3728/5651, 53-54=-3728/5651, 14-54=-3728/5651, 13-14=-2472/3982, 13-55=-2472/3982, 55-56=-2472/3982, 56-57=-2472/3982, 12-57=-2472/3982, 12-58=-2409/3948, 58-59=-2409/3948, 59-60=-2409/3948, 60-61=-2409/3948, 10-61=-2409/3948
WEBS	1-17=-2930/4283, 2-17=-775/746, 4-17=-2092/1434, 4-15=-35/464, 6-14=-774/747, 7-14=-1498/2066, 7-12=-184/456

- NOTES**
- 2-ply truss to be connected together with 10d (0.131"x3") nails as follows:  
Top chords connected as follows: 2x4 - 1 row at 0-9-0 oc.  
Bottom chords connected as follows: 2x6 - 2 rows staggered at 0-9-0 oc.  
Web connected as follows: 2x4 - 1 row at 0-9-0 oc.
  - All loads are considered equally applied to all plies, except if noted as front (F) or back (B) face in the LOAD CASE(S) section. Ply to ply connections have been provided to distribute only loads noted as (F) or (B), unless otherwise indicated.
  - Unbalanced roof live loads have been considered for this design.
  - Wind: ASCE 7-10; Vult=130mph (3-second gust) Vasd=103mph; TC DL=6.0psf; BCDL=6.0psf; h=35ft; Cat. II; Exp B; Enclosed; MWFRS (envelope) exterior zone; cantilever left and right exposed; end vertical left and right exposed; Lumber DOL=1.60 plate grip DOL=1.60
  - Provide adequate drainage to prevent water ponding.
  - All plates are MT20 plates unless otherwise indicated.
  - This truss has been designed for a 10.0 psf bottom chord live load nonconcurrent with any other live loads.
  - \* This truss has been designed for a live load of 20.0psf on the bottom chord in all areas where a rectangle 3-06-00 tall by 2-00-00 wide will fit between the bottom chord and any other members.
  - Provide mechanical connection (by others) of truss to bearing plate capable of withstanding 1805 lb uplift at joint 18 and 1467 lb uplift at joint 10.
  - This truss is designed in accordance with the 2015 International Residential Code sections R502.11.1 and R802.10.2 and referenced standard ANSI/TPI 1.
  - Graphical purlin representation does not depict the size or the orientation of the purlin along the top and/or bottom chord.
  - "NAILED" indicates Girder: 3-10d (0.148" x 3") toe-nails per NDS guidelines.

LOAD CASE(S)	Standard
1) Dead + Roof Live (balanced): Lumber Increase=1.15, Plate Increase=1.15	
Uniform Loads (lb/ft)	
Vert: 1-7=-60, 7-11=-60, 18-19=-20	
Concentrated Loads (lb)	



This design is based upon parameters shown, and is for an individual building component to be installed and loaded vertically. Applicability of design parameters and proper incorporation of component is responsibility of the Building Designer. Building Designer shall verify all design information on this sheet for conformance with conditions and requirements of the specific building and governing codes and ordinances. Building Designer accepts responsibility for the correctness or accuracy of the design information as it may relate to a specific building. Certification is valid only when truss is fabricated by a UFPI plant. Bracing shown is for lateral support of truss members only and does not replace erection and permanent bracing. Refer to Building Component Safety Information (BCSI) for general guidance regarding storage, erection and bracing available from SBCE and Truss Plate Institute.



Job 72435958	Truss A13	Truss Type Truss	Qty 1	Ply 2	MUNGO HOMES - TELFAIR B ROOF Job Reference (optional)
-----------------	--------------	---------------------	----------	----------	----------------------------------------------------------

UFP Mid Atlantic LLC, 5631 S. NC 62, Burlington, NC, Chawn Duty

Run: 8.81 S Sep 13 2024 Print: 8.810 S Sep 13 2024 MiTek Industries, Inc. Mon Nov 18 09:09:00

Page: 2

ID:a?q6?71yTv6SHVH?OlZqv2z8gqv-wAK9r?nrUEjVxZUJG1J\_KHTa0Rm1PZpBF9z7rry!?u3

Vert: 4=-39 (B), 15=-23 (B), 13=-23 (B), 23=-45 (B), 24=-39 (B), 25=-39 (B), 26=-39 (B), 27=-39 (B), 28=-39 (B), 29=-39 (B), 30=-39 (B), 31=-39 (B), 32=-39 (B), 33=-39 (B), 34=-39 (B), 35=-39 (B), 36=-39 (B), 37=-39 (B), 38=-39 (B), 40=-11 (B), 41=-40 (B), 42=-46 (B), 43=-25 (B), 44=-23 (B), 45=-23 (B), 46=-23 (B), 47=-23 (B), 48=-23 (B), 49=-23 (B), 50=-23 (B), 51=-23 (B), 52=-23 (B), 53=-23 (B), 54=-23 (B), 55=-23 (B), 56=-23 (B), 57=-23 (B), 58=-151 (B), 59=-52 (B), 60=-22 (B), 61=-26 (B)



This design is based upon parameters shown, and is for an individual building component to be installed and loaded vertically. Applicability of design parameters and proper incorporation of component is responsibility of the Building Designer. Building Designer shall verify all design information on this sheet for conformance with conditions and requirements of the specific building and governing codes and ordinances. Building Designer accepts responsibility for the correctness or accuracy of the design information as it may relate to a specific building. Certification is valid only when truss is fabricated by a UFPI plant. Bracing shown is for lateral support of truss members only and does not replace erection and permanent bracing. Refer to Building Component Safety Information (BCSI) for general guidance regarding storage, erection and bracing available from SBCA and Truss Plate Institute.



Job 72435958	Truss A14	Truss Type Truss	Qty 2	Ply 1	MUNGO HOMES - TELFAIR B ROOF Job Reference (optional)
-----------------	--------------	---------------------	----------	----------	----------------------------------------------------------

UFPI Mid Atlantic LLC, 5631 S. NC 62, Burlington, NC, Chawn Duty

Run: 8.81 S Sep 13 2024 Print: 8.810 S Sep 13 2024 MiTek Industries, Inc. Mon Nov 18 09:09:00

Page: 1

ID:3oqlf\_u\_1bRK\_p1ya5TuJyJDRre-tZSvGhp50rzDBsehOSLSPiZ4DFapte\_UJTSEvki?u1

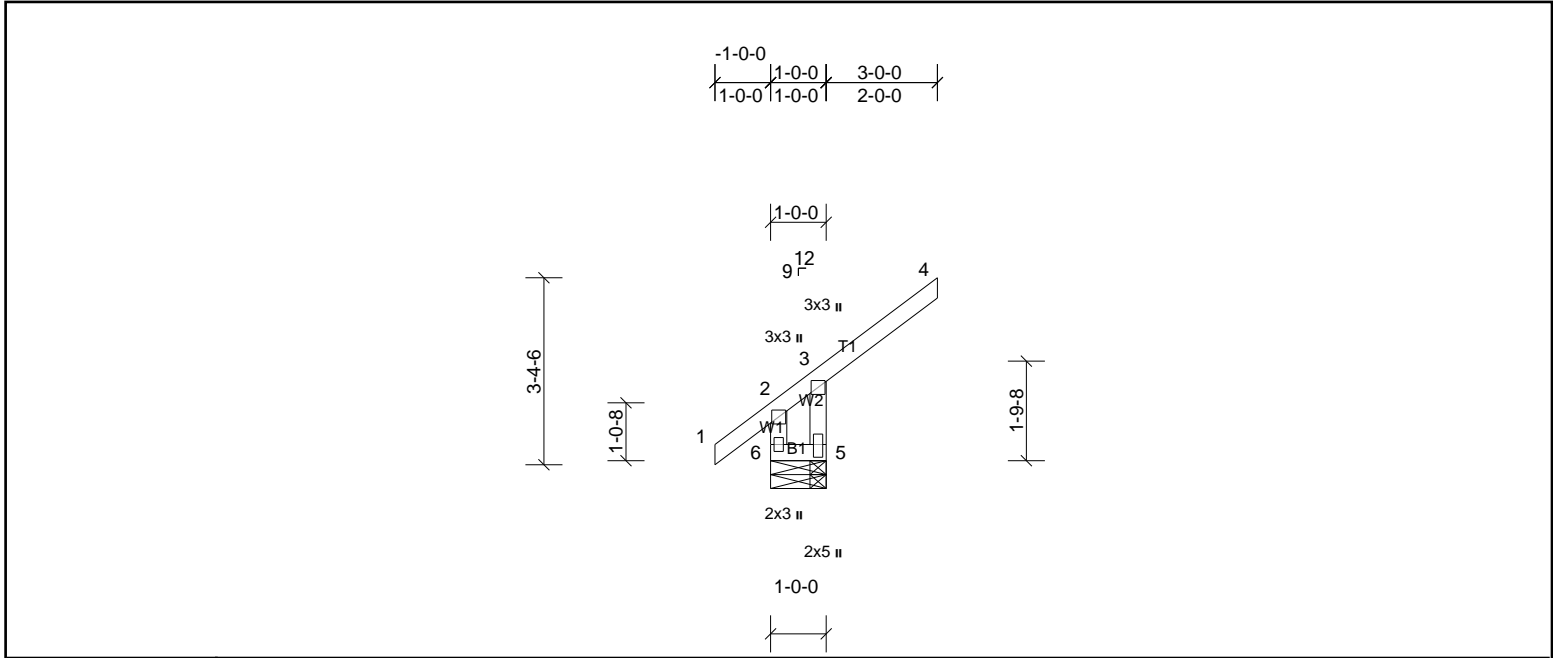


Plate Offsets (X, Y): [5:0-2-12,0-1-0]

Loading	(psf)	Spacing	2-0-0	CSI		DEFL	in	(loc)	l/defl	L/d	PLATES	GRIP
TCLL (roof)	20.0	Plate Grip DOL	1.15	TC	0.34	Vert(LL)	0.00	5-6	>999	240	MT20	244/190
TCDL	10.0	Lumber DOL	1.15	BC	0.09	Vert(CT)	0.00	5-6	>999	180		
BCLL	0.0*	Rep Stress Incr	YES	WB	0.00	Horz(CT)	0.00	5	n/a	n/a		
BCDL	10.0	Code	IRC2015/TPI2014	Matrix-MR							Weight: 12 lb	FT = 20%

LUMBER		BRACING	
TOP CHORD	2x4 SP No.2	TOP CHORD	Structural wood sheathing directly applied or 1-0-0 oc purlins, except end verticals.
BOT CHORD	2x4 SP No.2	BOT CHORD	Rigid ceiling directly applied or 6-0-0 oc bracing.
WEBS	2x4 SP No.3		

**REACTIONS**

(lb/size)	5=296/1-0-0, (min. 0-1-8), 6=42/1-0-0, (min. 0-1-8)
Max Horiz	6=112 (LC 7)
Max Uplift	5=333 (LC 7), 6=118 (LC 6)
Max Grav	5=322 (LC 17), 6=294 (LC 7)

**FORCES**

(lb) - Max. Comp./Max. Ten. - All forces 250 (lb) or less except when shown.	
TOP CHORD	2-3=-299/142, 3-5=-300/493, 2-6=-297/107

- NOTES**
- Unbalanced roof live loads have been considered for this design.
  - Wind: ASCE 7-10; Vult=130mph (3-second gust) Vasd=103mph; TC DL=6.0psf; BC DL=6.0psf; h=35ft; Cat. II; Exp B; Enclosed; MWFRS (envelope) exterior zone and C-C Exterior (2) zone; cantilever left and right exposed; end vertical left and right exposed; C-C for members and forces & MWFRS for reactions shown; Lumber DOL=1.60 plate grip DOL=1.60
  - This truss has been designed for a 10.0 psf bottom chord live load nonconcurrent with any other live loads.
  - \* This truss has been designed for a live load of 20.0psf on the bottom chord in all areas where a rectangle 3-06-00 tall by 2-00-00 wide will fit between the bottom chord and any other members.
  - Provide mechanical connection (by others) of truss to bearing plate capable of withstanding 118 lb uplift at joint 6 and 333 lb uplift at joint 5.
  - This truss is designed in accordance with the 2015 International Residential Code sections R502.11.1 and R802.10.2 and referenced standard ANSI/TPI 1.



This design is based upon parameters shown, and is for an individual building component to be installed and loaded vertically. Applicability of design parameters and proper incorporation of component is responsibility of the Building Designer. Building Designer shall verify all design information on this sheet for conformance with conditions and requirements of the specific building and governing codes and ordinances. Building Designer accepts responsibility for the correctness or accuracy of the design information as it may relate to a specific building. Certification is valid only when truss is fabricated by a UFPI plant. Bracing shown is for lateral support of truss members only and does not replace erection and permanent bracing. Refer to Building Component Safety Information (BCSI) for general guidance regarding storage, erection and bracing available from SBCA and Truss Plate Institute.



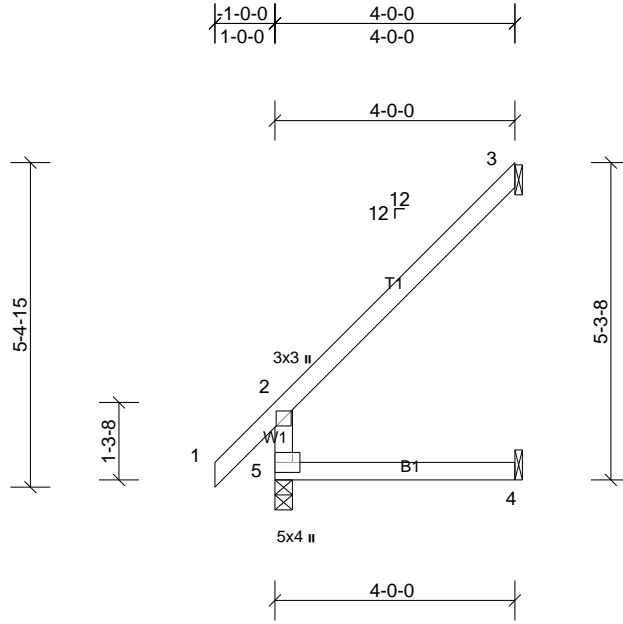
Job 72435958	Truss EJ1	Truss Type Truss	Qty 29	Ply 1	MUNGO HOMES - TELFAIR B ROOF Job Reference (optional)
-----------------	--------------	---------------------	-----------	----------	----------------------------------------------------------

UFP Mid Atlantic LLC, 5631 S. NC 62, Burlington, NC, Chawn Duty

Run: 8.81 S Sep 13 2024 Print: 8.810 S Sep 13 2024 MiTek Industries, Inc. Mon Nov 18 09:09:01

Page: 1

ID:2eSnhc8aKqcOXHEVg1K1s?yJ0CT-LI?HT0pjn964o0DtyAshyv5C7fsoc5Dex7BoRAy1?u0



Loading	(psf)	Spacing	2-0-0	CSI	DEFL	in	(loc)	l/defl	L/d	PLATES	GRIP	
TCLL (roof)	20.0	Plate Grip DOL	1.15	TC	0.53	Vert(LL)	0.03	4-5	>999	240	MT20	244/190
TCDL	10.0	Lumber DOL	1.15	BC	0.36	Vert(CT)	-0.03	4-5	>999	180		
BCLL	0.0*	Rep Stress Incr	YES	WB	0.00	Horz(CT)	-0.06	3	n/a	n/a		
BCDL	10.0	Code	IRC2015/TPI2014	Matrix-MR							Weight: 18 lb	FT = 20%

**LUMBER**  
TOP CHORD 2x4 SP No.2  
BOT CHORD 2x4 SP No.2  
WEBS 2x4 SP No.3

**BRACING**  
TOP CHORD Structural wood sheathing directly applied or 4-0-0 oc purlins, except end verticals.  
BOT CHORD Rigid ceiling directly applied or 10-0-0 oc bracing.

**REACTIONS** (lb/size) 3=99/ Mechanical, (min. 0-1-8), 4=43/ Mechanical, (min. 0-1-8), 5=231/0-3-8, (min. 0-1-8)  
Max Horiz 5=178 (LC 10)  
Max Uplift 3=132 (LC 10), 4=-18 (LC 10)  
Max Grav 3=126 (LC 17), 4=73 (LC 3), 5=231 (LC 1)

**FORCES** (lb) - Max. Comp./Max. Ten. - All forces 250 (lb) or less except when shown.

- NOTES**
- Unbalanced roof live loads have been considered for this design.
  - Wind: ASCE 7-10; Vult=130mph (3-second gust) Vasd=103mph; TC DL=6.0psf; BCDL=6.0psf; h=35ft; Cat. II; Exp B; Enclosed; MWFRS (envelope) exterior zone and C-C Exterior (2) zone; cantilever left and right exposed; end vertical left and right exposed; C-C for members and forces & MWFRS for reactions shown; Lumber DOL=1.60 plate grip DOL=1.60
  - This truss has been designed for a 10.0 psf bottom chord live load nonconcurrent with any other live loads.
  - \* This truss has been designed for a live load of 20.0psf on the bottom chord in all areas where a rectangle 3-06-00 tall by 2-00-00 wide will fit between the bottom chord and any other members.
  - Provide mechanical connection (by others) of truss to bearing plate capable of withstanding 132 lb uplift at joint 3 and 18 lb uplift at joint 4.
  - This truss is designed in accordance with the 2015 International Residential Code sections R502.11.1 and R802.10.2 and referenced standard ANSI/TPI 1.



This design is based upon parameters shown, and is for an individual building component to be installed and loaded vertically. Applicability of design parameters and proper incorporation of component is responsibility of the Building Designer. Building Designer shall verify all design information on this sheet for conformance with conditions and requirements of the specific building and governing codes and ordinances. Building Designer accepts responsibility for the correctness or accuracy of the design information as it may relate to a specific building. Certification is valid only when truss is fabricated by a UFPI plant. Bracing shown is for lateral support of truss members only and does not replace erection and permanent bracing. Refer to Building Component Safety Information (BCSI) for general guidance regarding storage, erection and bracing available from SBCA and Truss Plate Institute.





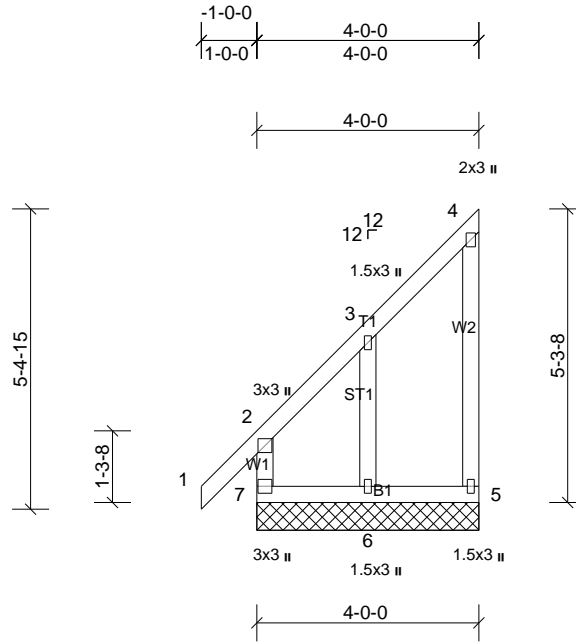
Job 72435958	Truss EJ1G	Truss Type Truss	Qty 1	Ply 1	MUNGO HOMES - TELFAIR B ROOF Job Reference (optional)
-----------------	---------------	---------------------	----------	----------	----------------------------------------------------------

UFP Mid Atlantic LLC, 5631 S. NC 62, Burlington, NC, Chawn Duty

Run: 8.810 S Sep 13 2024 Print: 8.810 S Sep 13 2024 MiTek Industries, Inc. Mon Nov 18 09:09:01

Page: 1

ID:GINTIRZRZDiAmyDD9j8mBzZyJ0DO-LI?HT0pin964o0DtyAshyv5GyfvMc5Rex7BoRAy1?u0



Loading	(psf)	Spacing	2-0-0	CSI	DEFL	in	(loc)	l/defl	L/d	PLATES	GRIP	
TCLL (roof)	20.0	Plate Grip DOL	1.15	TC	0.28	Vert(LL)	n/a	-	n/a	999	MT20	244/190
TCDL	10.0	Lumber DOL	1.15	BC	0.14	Vert(CT)	n/a	-	n/a	999		
BCLL	0.0*	Rep Stress Incr	YES	WB	0.05	Horz(CT)	0.00	5	n/a	n/a		
BCDL	10.0	Code	IRC2015/TPI2014	Matrix-MR							Weight: 29 lb	FT = 20%

**LUMBER**

TOP CHORD	2x4 SP No.2
BOT CHORD	2x4 SP No.2
WEBS	2x4 SP No.3
OTHERS	2x4 SP No.3

**BRACING**

TOP CHORD	Structural wood sheathing directly applied or 4-0-0 oc purlins, except end verticals.
BOT CHORD	Rigid ceiling directly applied or 10-0-0 oc bracing.

**REACTIONS**

(lb/size)	5=63/4-0-0, (min. 0-1-8), 6=149/4-0-0, (min. 0-1-8), 7=153/4-0-0, (min. 0-1-8)
Max Horiz	7=207 (LC 7)
Max Uplift	5=-44 (LC 9), 6=-205 (LC 10), 7=-81 (LC 6)
Max Grav	5=82 (LC 17), 6=233 (LC 17), 7=242 (LC 18)

**FORCES**

(lb) - Max. Comp./Max. Ten. - All forces 250 (lb) or less except when shown.

**NOTES**

- Unbalanced roof live loads have been considered for this design.
- Wind: ASCE 7-10; Vult=130mph (3-second gust) Vasd=103mph; TCCL=6.0psf; BCDL=6.0psf; h=35ft; Cat. II; Exp B; Enclosed; MWFRS (envelope) exterior zone and C-C Exterior (2) zone; cantilever left and right exposed; end vertical left and right exposed; C-C for members and forces & MWFRS for reactions shown; Lumber DOL=1.60 plate grip DOL=1.60
- Truss designed for wind loads in the plane of the truss only.
- Gable requires continuous bottom chord bearing.
- Truss to be fully sheathed from one face or securely braced against lateral movement (i.e. diagonal web).
- Gable studs spaced at 2-0-0 oc.
- This truss has been designed for a 10.0 psf bottom chord live load nonconcurrent with any other live loads.
- \* This truss has been designed for a live load of 20.0psf on the bottom chord in all areas where a rectangle 3-06-00 tall by 2-00-00 wide will fit between the bottom chord and any other members.
- Provide mechanical connection (by others) of truss to bearing plate capable of withstanding 81 lb uplift at joint 7, 44 lb uplift at joint 5 and 205 lb uplift at joint 6.
- This truss is designed in accordance with the 2015 International Residential Code sections R502.11.1 and R802.10.2 and referenced standard ANSI/TPI 1.



This design is based upon parameters shown, and is for an individual building component to be installed and loaded vertically. Applicability of design parameters and proper incorporation of component is responsibility of the Building Designer. Building Designer shall verify all design information on this sheet for conformance with conditions and requirements of the specific building and governing codes and ordinances. Building Designer accepts responsibility for the correctness or accuracy of the design information as it may relate to a specific building. Certification is valid only when truss is fabricated by a UFPI plant. Bracing shown is for lateral support of truss members only and does not replace erection and permanent bracing. Refer to Building Component Safety Information (BCSI) for general guidance regarding storage, erection and bracing available from SBCA and Truss Plate Institute.



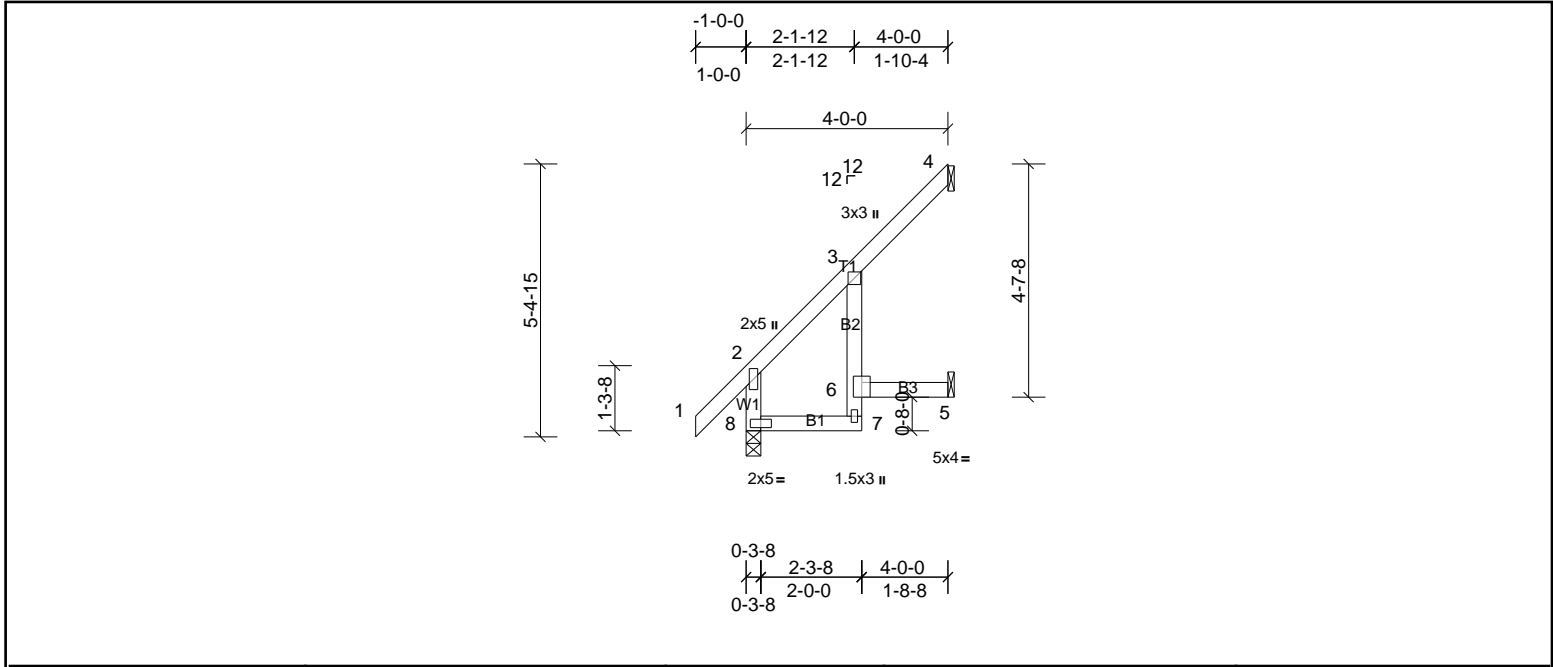
Job 72435958	Truss EJ1T	Truss Type Truss	Qty 4	Ply 1	MUNGO HOMES - TELFAIR B ROOF Job Reference (optional)
-----------------	---------------	---------------------	----------	----------	----------------------------------------------------------

UFP Mid Atlantic LLC, 5631 S. NC 62, Burlington, NC, Chawn Duty

Run: 8.81 S Sep 13 2024 Print: 8.810 S Sep 13 2024 MiTek Industries, Inc. Mon Nov 18 09:09:01

Page: 1

ID:3K7WUQ?wuW8opVwWMEQHryJ0C6-LI?HT0pjn964o0DtyAshyv5Gcfsv5Dex7BoRAyl?u0



Loading	(psf)	Spacing	2-0-0	CSI	DEFL	in	(loc)	l/defl	L/d	PLATES	GRIP	
TCLL (roof)	20.0	Plate Grip DOL	1.15	TC	0.30	Vert(LL)	0.03	7	>999	240	MT20	244/190
TCDL	10.0	Lumber DOL	1.15	BC	0.36	Vert(CT)	-0.03	7	>999	180		
BCLL	0.0*	Rep Stress Incr	YES	WB	0.00	Horz(CT)	-0.04	4	n/a	n/a		
BCDL	10.0	Code	IRC2015/TPI2014	Matrix-MR							Weight: 22 lb	FT = 20%

LUMBER	BRACING
TOP CHORD 2x4 SP No.2	TOP CHORD Structural wood sheathing directly applied or 4-0-0 oc purlins, except end verticals.
BOT CHORD 2x4 SP No.2 *Except* B2:2x4 SP No.3	BOT CHORD Rigid ceiling directly applied or 10-0-0 oc bracing.
WEBS 2x4 SP No.3	

REACTIONS	(lb/size)	4=85/ Mechanical, (min. 0-1-8), 5=56/ Mechanical, (min. 0-1-8), 8=231/0-3-8, (min. 0-1-8)
Max Horiz	8=178 (LC 10)	
Max Uplift	4=97 (LC 10), 5=54 (LC 10)	
Max Grav	4=106 (LC 17), 5=75 (LC 17), 8=231 (LC 1)	

**FORCES** (lb) - Max. Comp./Max. Ten. - All forces 250 (lb) or less except when shown.

- NOTES**
- Unbalanced roof live loads have been considered for this design.
  - Wind: ASCE 7-10; Vult=130mph (3-second gust) Vasd=103mph; TCCL=6.0psf; BCDL=6.0psf; h=35ft; Cat. II; Exp B; Enclosed; MWFRS (envelope) exterior zone and C-C Exterior (2) zone; cantilever left and right exposed; end vertical left and right exposed; C-C for members and forces & MWFRS for reactions shown; Lumber DOL=1.60 plate grip DOL=1.60
  - This truss has been designed for a 10.0 psf bottom chord live load nonconcurrent with any other live loads.
  - \* This truss has been designed for a live load of 20.0psf on the bottom chord in all areas where a rectangle 3-06-00 tall by 2-00-00 wide will fit between the bottom chord and any other members.
  - Bearing at joint(s) 8 considers parallel to grain value using ANSI/TPI 1 angle to grain formula. Building designer should verify capacity of bearing surface.
  - Provide mechanical connection (by others) of truss to bearing plate capable of withstanding 97 lb uplift at joint 4 and 54 lb uplift at joint 5.
  - This truss is designed in accordance with the 2015 International Residential Code sections R502.11.1 and R802.10.2 and referenced standard ANSI/TPI 1.



This design is based upon parameters shown, and is for an individual building component to be installed and loaded vertically. Applicability of design parameters and proper incorporation of component is responsibility of the Building Designer. Building Designer shall verify all design information on this sheet for conformance with conditions and requirements of the specific building and governing codes and ordinances. Building Designer accepts responsibility for the correctness or accuracy of the design information as it may relate to a specific building. Certification is valid only when truss is fabricated by a UFPI plant. Bracing shown is for lateral support of truss members only and does not replace erection and permanent bracing. Refer to Building Component Safety Information (BCSI) for general guidance regarding storage, erection and bracing available from SBCA and Truss Plate Institute.



Job 72435958	Truss EJ2	Truss Type Truss	Qty 1	Ply 1	MUNGO HOMES - TELFAIR B ROOF Job Reference (optional)
-----------------	--------------	---------------------	----------	----------	----------------------------------------------------------

UFP Mid Atlantic LLC, 5631 S. NC 62, Burlington, NC, Chawn Duty

Run: 8.81 S Sep 13 2024 Print: 8.810 S Sep 13 2024 MiTek Industries, Inc. Mon Nov 18 09:09:01

Page: 1

ID:INdqUTurzIIMfPDILwKqsyJ0BW-LI?HT0pjn964o0DtyAshyv5FQftC4Nex7BoRAyI?u0

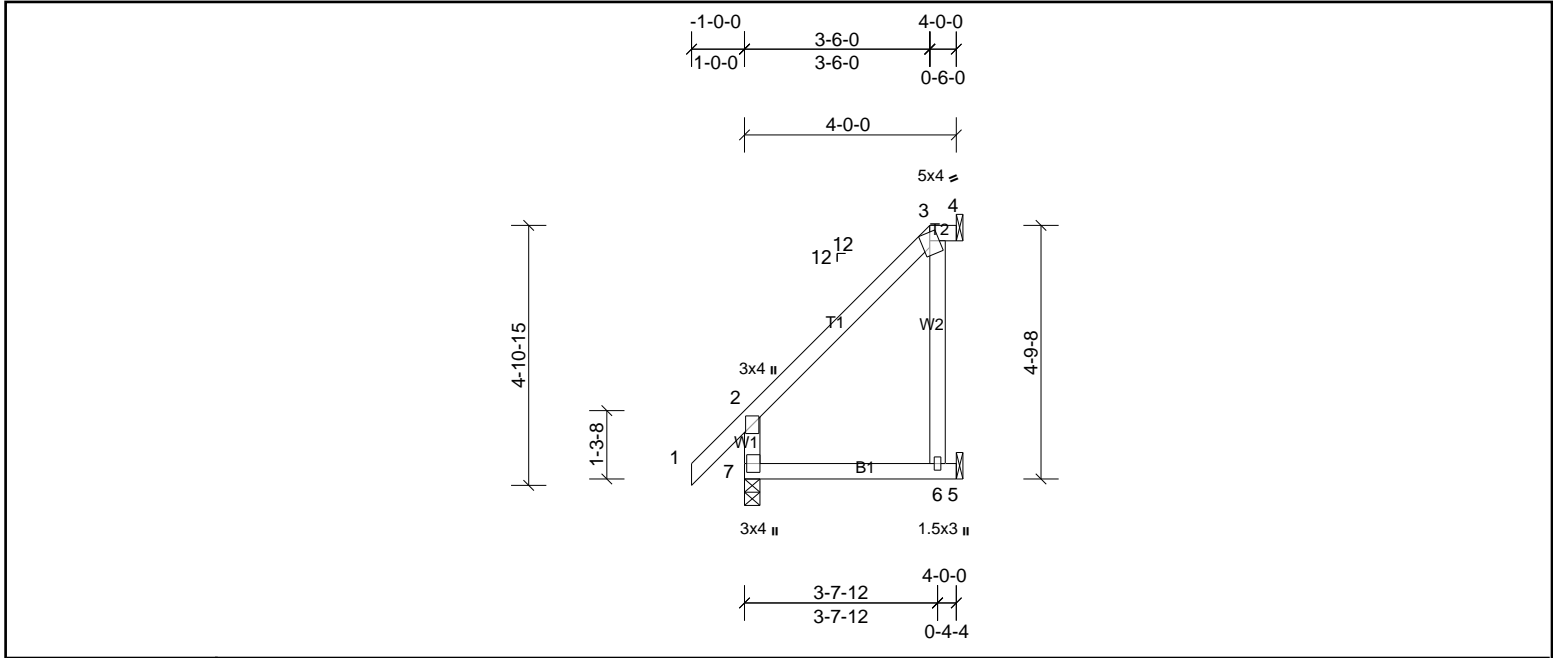


Plate Offsets (X, Y): [7:0-2-0,0-0-8]

Loading	(psf)	Spacing	2-0-0	CSI	DEFLL	in	(loc)	l/defl	L/d	PLATES	GRIP	
TCLL (roof)	20.0	Plate Grip DOL	1.15	TC	0.38	Vert(LL)	0.04	6-7	>999	240	MT20	244/190
TCDL	10.0	Lumber DOL	1.15	BC	0.26	Vert(CT)	-0.04	6-7	>999	180		
BCLL	0.0*	Rep Stress Incr	YES	WB	0.12	Horz(CT)	-0.06	4	n/a	n/a		
BCDL	10.0	Code	IRC2015/TPI2014	Matrix-MP							Weight: 24 lb	FT = 20%

LUMBER		BRACING	
TOP CHORD	2x4 SP No.2	TOP CHORD	Structural wood sheathing directly applied or 4-0-0 oc purlins, except end verticals, and 2-0-0 oc purlins: 3-4.
BOT CHORD	2x4 SP No.2	BOT CHORD	Rigid ceiling directly applied or 10-0-0 oc bracing.
WEBS	2x4 SP No.3		

REACTIONS	(lb/size)	4=30/ Mechanical, (min. 0-1-8), 5=171/ Mechanical, (min. 0-1-8), 7=231/0-3-8, (min. 0-1-8)
Max Horiz	7=162 (LC 10)	
Max Uplift	4=62 (LC 17), 5=239 (LC 10)	
Max Grav	4=115 (LC 10), 5=224 (LC 17), 7=231 (LC 1)	

**FORCES** (lb) - Max. Comp./Max. Ten. - All forces 250 (lb) or less except when shown.  
WEBS 3-6=300/287

- NOTES**
- Unbalanced roof live loads have been considered for this design.
  - Wind: ASCE 7-10; Vult=130mph (3-second gust) Vasd=103mph; TCCL=6.0psf; BCDL=6.0psf; h=35ft; Cat. II; Exp B; Enclosed; MWFRS (envelope) exterior zone and C-C Exterior (2) zone; cantilever left and right exposed; end vertical left and right exposed; C-C for members and forces & MWFRS for reactions shown; Lumber DOL=1.60 plate grip DOL=1.60
  - Provide adequate drainage to prevent water ponding.
  - This truss has been designed for a 10.0 psf bottom chord live load nonconcurrent with any other live loads.
  - \* This truss has been designed for a live load of 20.0psf on the bottom chord in all areas where a rectangle 3-06-00 tall by 2-00-00 wide will fit between the bottom chord and any other members.
  - Provide mechanical connection (by others) of truss to bearing plate capable of withstanding 62 lb uplift at joint 4 and 239 lb uplift at joint 5.
  - This truss is designed in accordance with the 2015 International Residential Code sections R502.11.1 and R802.10.2 and referenced standard ANSI/TPI 1.
  - Graphical purlin representation does not depict the size or the orientation of the purlin along the top and/or bottom chord.



This design is based upon parameters shown, and is for an individual building component to be installed and loaded vertically. Applicability of design parameters and proper incorporation of component is responsibility of the Building Designer. Building Designer shall verify all design information on this sheet for conformance with conditions and requirements of the specific building and governing codes and ordinances. Building Designer accepts responsibility for the correctness or accuracy of the design information as it may relate to a specific building. Certification is valid only when truss is fabricated by a UFPI plant. Bracing shown is for lateral support of truss members only and does not replace erection and permanent bracing. Refer to Building Component Safety Information (BCSI) for general guidance regarding storage, erection and bracing available from SBCA and Truss Plate Institute.



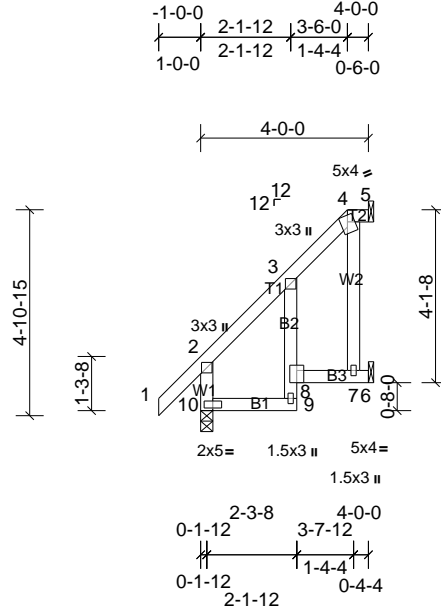
Job 72435958	Truss EJ2T	Truss Type Truss	Qty 1	Ply 1	MUNGO HOMES - TELFAIR B ROOF Job Reference (optional)
-----------------	---------------	---------------------	----------	----------	----------------------------------------------------------

UFP Mid Atlantic LLC, 5631 S. NC 62, Burlington, NC, Chawn Duty

Run: 8.81 S Sep 13 2024 Print: 8.810 S Sep 13 2024 MiTek Industries, Inc. Mon Nov 18 09:09:01

Page: 1

ID: XGI?G0A380Y0y05iN585TyJ0A3-LI?HT0pin964o0DyAshyv5Grtrc5Nex7BoRAyl?u0



Loading	(psf)	Spacing	2-0-0	CSI	DEFL	in	(loc)	l/defl	L/d	PLATES	GRIP	
TCLL (roof)	20.0	Plate Grip DOL	1.15	TC	0.29	Vert(LL)	0.03	7-8	>999	240	MT20	244/190
TCDL	10.0	Lumber DOL	1.15	BC	0.30	Vert(CT)	-0.03	7-8	>999	180		
BCLL	0.0*	Rep Stress Incr	YES	WB	0.05	Horz(CT)	-0.04	5	n/a	n/a		
BCDL	10.0	Code	IRC2015/TPI2014	Matrix-MSH							Weight: 27 lb	FT = 20%

**LUMBER**

TOP CHORD 2x4 SP No.2  
 BOT CHORD 2x4 SP No.2 \*Except\* B2:2x4 SP No.3  
 WEBS 2x4 SP No.3

**BRACING**

TOP CHORD Structural wood sheathing directly applied or 4-0-0 oc purlins, except end verticals, and 2-0-0 oc purlins: 4-5.  
 BOT CHORD Rigid ceiling directly applied or 10-0-0 oc bracing.

**REACTIONS** (lb/size) 5=2/ Mechanical, (min. 0-1-8), 6=143/ Mechanical, (min. 0-1-8), 10=231/0-3-8, (min. 0-1-8)  
 Max Horiz 10=162 (LC 10)  
 Max Uplift 5=21 (LC 8), 6=147 (LC 10)  
 Max Grav 5=22 (LC 10), 6=178 (LC 17), 10=231 (LC 1)

**FORCES** (lb) - Max. Comp./Max. Ten. - All forces 250 (lb) or less except when shown.

**NOTES**

- 1) Unbalanced roof live loads have been considered for this design.
- 2) Wind: ASCE 7-10; Vult=130mph (3-second gust) Vasd=103mph; TC DL=6.0psf; BCDL=6.0psf; h=35ft; Cat. II; Exp B; Enclosed; MWFRS (envelope) exterior zone and C-C Exterior (2) zone; cantilever left and right exposed; end vertical left and right exposed; C-C for members and forces & MWFRS for reactions shown; Lumber DOL=1.60 plate grip DOL=1.60
- 3) Provide adequate drainage to prevent water ponding.
- 4) This truss has been designed for a 10.0 psf bottom chord live load nonconcurrent with any other live loads.
- 5) \* This truss has been designed for a live load of 20.0psf on the bottom chord in all areas where a rectangle 3-06-00 tall by 2-00-00 wide will fit between the bottom chord and any other members.
- 6) Bearing at joint(s) 10 considers parallel to grain value using ANSI/TPI 1 angle to grain formula. Building designer should verify capacity of bearing surface.
- 7) Provide mechanical connection (by others) of truss to bearing plate capable of withstanding 21 lb uplift at joint 5 and 147 lb uplift at joint 6.
- 8) This truss is designed in accordance with the 2015 International Residential Code sections R502.11.1 and R802.10.2 and referenced standard ANSI/TPI 1.
- 9) Graphical purlin representation does not depict the size or the orientation of the purlin along the top and/or bottom chord.



This design is based upon parameters shown, and is for an individual building component to be installed and loaded vertically. Applicability of design parameters and proper incorporation of component is responsibility of the Building Designer. Building Designer shall verify all design information on this sheet for conformance with conditions and requirements of the specific building and governing codes and ordinances. Building Designer accepts responsibility for the correctness or accuracy of the design information as it may relate to a specific building. Certification is valid only when truss is fabricated by a UFPI plant. Bracing shown is for lateral support of truss members only and does not replace erection and permanent bracing. Refer to Building Component Safety Information (BCSI) for general guidance regarding storage, erection and bracing available from SBCA and Truss Plate Institute.



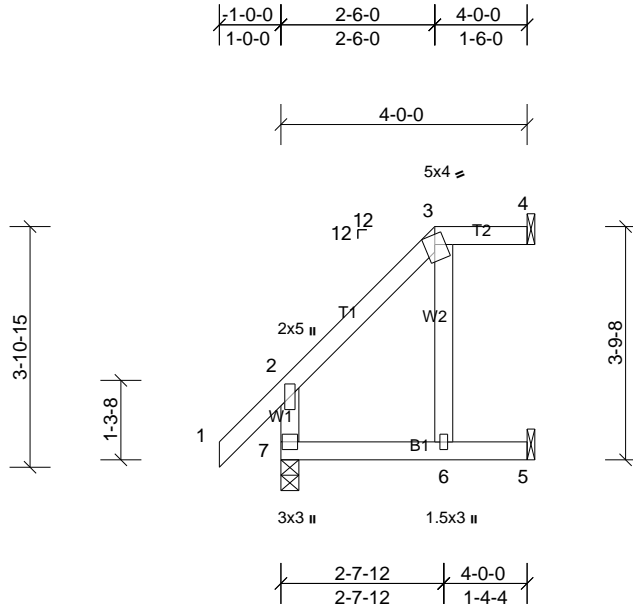
Job 72435958	Truss EJ3	Truss Type Truss	Qty 1	Ply 1	MUNGO HOMES - TELFAIR B ROOF Job Reference (optional)
-----------------	--------------	---------------------	----------	----------	----------------------------------------------------------

UFP Mid Atlantic LLC, 5631 S. NC 62, Burlington, NC, Chawn Duty

Run: 8.81 S Sep 13 2024 Print: 8.810 S Sep 13 2024 MiTek Industries, Inc. Mon Nov 18 09:09:02

Page: 1

ID:cEGNQf0EWeTmTis23J4cczyJ08m-pxZfhMqLYTExQAo4VtNwU7eRM2E?LY0nAnxL\_cyI?u?



Loading	(psf)	Spacing	2-0-0	CSI	DEFL	in	(loc)	l/defl	L/d	PLATES	GRIP	
TCLL (roof)	20.0	Plate Grip DOL	1.15	TC	0.30	Vert(LL)	0.03	6-7	>999	240	MT20	244/190
TCDL	10.0	Lumber DOL	1.15	BC	0.24	Vert(CT)	-0.04	6-7	>999	180		
BCLL	0.0*	Rep Stress Incr	YES	WB	0.03	Horz(CT)	-0.07	4	n/a	n/a		
BCDL	10.0	Code	IRC2015/TPI2014	Matrix-MP							Weight: 22 lb	FT = 20%

**LUMBER**

TOP CHORD 2x4 SP No.2  
 BOT CHORD 2x4 SP No.2  
 WEBS 2x4 SP No.3

**BRACING**

TOP CHORD Structural wood sheathing directly applied or 4-0-0 oc purlins, except end verticals, and 2-0-0 oc purlins: 3-4.  
 BOT CHORD Rigid ceiling directly applied or 6-0-0 oc bracing.

**REACTIONS**

(lb/size) 4=69/ Mechanical, (min. 0-1-8), 5=72/ Mechanical, (min. 0-1-8),  
 7=231/0-3-8, (min. 0-1-8)  
 Max Horiz 7=122 (LC 10)  
 Max Uplift 4=-29 (LC 7), 5=-48 (LC 10)  
 Max Grav 4=69 (LC 1), 5=78 (LC 17), 7=231 (LC 1)

**FORCES**

(lb) - Max. Comp./Max. Ten. - All forces 250 (lb) or less except when shown.

**NOTES**

- Unbalanced roof live loads have been considered for this design.
- Wind: ASCE 7-10; Vult=130mph (3-second gust) Vasd=103mph; TCCL=6.0psf; BCDL=6.0psf; h=35ft; Cat. II; Exp B; Enclosed; MWFRS (envelope) exterior zone and C-C Exterior (2) zone; cantilever left and right exposed; end vertical left and right exposed; C-C for members and forces & MWFRS for reactions shown; Lumber DOL=1.60 plate grip DOL=1.60
- Provide adequate drainage to prevent water ponding.
- This truss has been designed for a 10.0 psf bottom chord live load nonconcurrent with any other live loads.
- \* This truss has been designed for a live load of 20.0psf on the bottom chord in all areas where a rectangle 3-06-00 tall by 2-00-00 wide will fit between the bottom chord and any other members.
- Provide mechanical connection (by others) of truss to bearing plate capable of withstanding 29 lb uplift at joint 4 and 48 lb uplift at joint 5.
- This truss is designed in accordance with the 2015 International Residential Code sections R502.11.1 and R802.10.2 and referenced standard ANSI/TPI 1.
- Graphical purlin representation does not depict the size or the orientation of the purlin along the top and/or bottom chord.



This design is based upon parameters shown, and is for an individual building component to be installed and loaded vertically. Applicability of design parameters and proper incorporation of component is responsibility of the Building Designer. Building Designer shall verify all design information on this sheet for conformance with conditions and requirements of the specific building and governing codes and ordinances. Building Designer accepts responsibility for the correctness or accuracy of the design information as it may relate to a specific building. Certification is valid only when truss is fabricated by a UFPI plant. Bracing shown is for lateral support of truss members only and does not replace erection and permanent bracing. Refer to Building Component Safety Information (BCSI) for general guidance regarding storage, erection and bracing available from SBCA and Truss Plate Institute.





Job 72435958	Truss EJ3T	Truss Type Truss	Qty 1	Ply 1	MUNGO HOMES - TELFAIR B ROOF Job Reference (optional)
-----------------	---------------	---------------------	----------	----------	----------------------------------------------------------

UFPI Mid Atlantic LLC, 5631 S. NC 62, Burlington, NC, Chawn Duty

Run: 8.81 S Sep 13 2024 Print: 8.810 S Sep 13 2024 MiTek Industries, Inc. Mon Nov 18 09:09:02

Page: 1

ID:Rf93FWIf5iNVkE6Tve\_?OqyJ08P-pxZfhMqLYTExQAo4VtNwU7eS72DDLYTnAnxL\_cy!u?

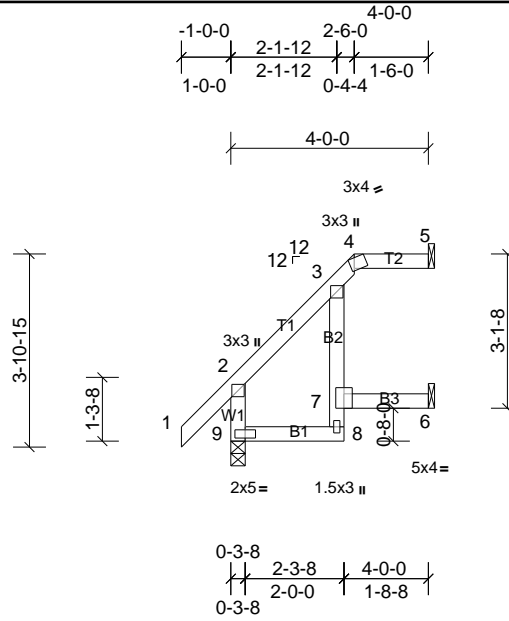


Plate Offsets (X, Y): [4:0-0-11,Edge]

Loading	(psf)	Spacing	2-0-0	CSI		DEFL	in	(loc)	l/defl	L/d	PLATES	GRIP
TCLL (roof)	20.0	Plate Grip DOL	1.15	TC	0.25	Vert(LL)	0.03	8	>999	240	MT20	244/190
TCDL	10.0	Lumber DOL	1.15	BC	0.29	Vert(CT)	-0.03	8	>999	180		
BCLL	0.0*	Rep Stress Incr	YES	WB	0.00	Horz(CT)	-0.05	5	n/a	n/a		
BCDL	10.0	Code	IRC2015/TPI2014	Matrix-MR							Weight: 22 lb	FT = 20%

**LUMBER**

TOP CHORD 2x4 SP No.2  
 BOT CHORD 2x4 SP No.2 \*Except\* B2:2x4 SP No.3  
 WEBS 2x4 SP No.3

**BRACING**

TOP CHORD Structural wood sheathing directly applied or 4-0-0 oc purlins, except end verticals, and 2-0-0 oc purlins: 4-5.  
 BOT CHORD Rigid ceiling directly applied or 10-0-0 oc bracing.

**REACTIONS**

(lb/size) 5=83/ Mechanical, (min. 0-1-8), 6=59/ Mechanical, (min. 0-1-8),  
 9=231/0-3-8, (min. 0-1-8)  
 Max Horiz 9=122 (LC 10)  
 Max Uplift 5=38 (LC 7), 6=34 (LC 10)  
 Max Grav 5=83 (LC 1), 6=66 (LC 3), 9=231 (LC 1)

**FORCES**

(lb) - Max. Comp./Max. Ten. - All forces 250 (lb) or less except when shown.

**NOTES**

- Unbalanced roof live loads have been considered for this design.
- Wind: ASCE 7-10; Vult=130mph (3-second gust) Vasd=103mph; TCDL=6.0psf; BCDL=6.0psf; h=35ft; Cat. II; Exp B; Enclosed; MWFRS (envelope) exterior zone and C-C Exterior (2) zone; cantilever left and right exposed; end vertical left and right exposed; C-C for members and forces & MWFRS for reactions shown; Lumber DOL=1.60 plate grip DOL=1.60
- Provide adequate drainage to prevent water ponding.
- This truss has been designed for a 10.0 psf bottom chord live load nonconcurrent with any other live loads.
- \* This truss has been designed for a live load of 20.0psf on the bottom chord in all areas where a rectangle 3-06-00 tall by 2-00-00 wide will fit between the bottom chord and any other members.
- Bearing at joint(s) 9 considers parallel to grain value using ANSI/TPI 1 angle to grain formula. Building designer should verify capacity of bearing surface.
- Provide mechanical connection (by others) of truss to bearing plate capable of withstanding 38 lb uplift at joint 5 and 34 lb uplift at joint 6.
- This truss is designed in accordance with the 2015 International Residential Code sections R502.11.1 and R802.10.2 and referenced standard ANSI/TPI 1.
- Graphical purlin representation does not depict the size or the orientation of the purlin along the top and/or bottom chord.



This design is based upon parameters shown, and is for an individual building component to be installed and loaded vertically. Applicability of design parameters and proper incorporation of component is responsibility of the Building Designer. Building Designer shall verify all design information on this sheet for conformance with conditions and requirements of the specific building and governing codes and ordinances. Building Designer accepts responsibility for the correctness or accuracy of the design information as it may relate to a specific building. Certification is valid only when truss is fabricated by a UFPI plant. Bracing shown is for lateral support of truss members only and does not replace erection and permanent bracing. Refer to Building Component Safety Information (BCSI) for general guidance regarding storage, erection and bracing available from SBCA and Truss Plate Institute.



Job 72435958	Truss EJ4	Truss Type Truss	Qty 1	Ply 1	MUNGO HOMES - TELFAIR B ROOF Job Reference (optional)
-----------------	--------------	---------------------	----------	----------	----------------------------------------------------------

UFPI Mid Atlantic LLC, 5631 S. NC 62, Burlington, NC, Chawn Duty

Run: 8.81 S Sep 13 2024 Print: 8.810 S Sep 13 2024 MiTek Industries, Inc. Mon Nov 18 09:09:02

Page: 1

ID:cKN4ivruVX27d9262blYJyJ07i-pxZfhMqLYTExQAo4VtNwU7eQt2ERLYTnAnxL\_cy!u?

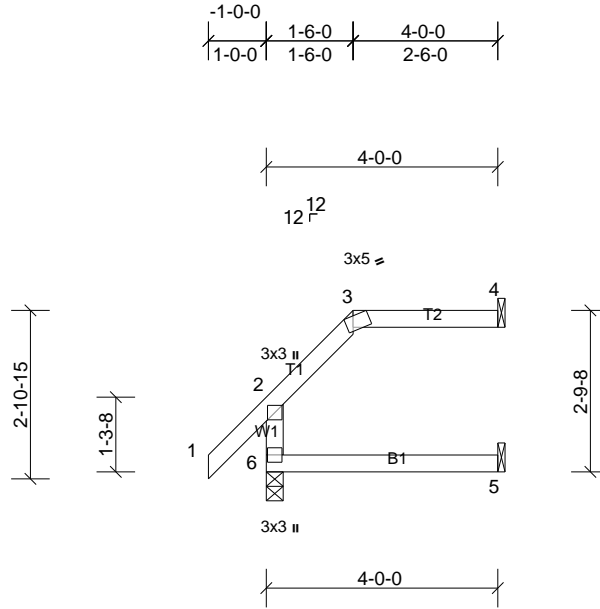


Plate Offsets (X, Y): [3:0-1-3,Edge]

Loading	(psf)	Spacing	2-0-0	CSI		DEFL	in	(loc)	l/defl	L/d	PLATES	GRIP
TCLL (roof)	20.0	Plate Grip DOL	1.15	TC	0.33	Vert(LL)	0.02	5-6	>999	240	MT20	244/190
TCDL	10.0	Lumber DOL	1.15	BC	0.21	Vert(CT)	-0.02	5-6	>999	180		
BCLL	0.0*	Rep Stress Incr	YES	WB	0.00	Horz(CT)	-0.06	4	n/a	n/a		
BCDL	10.0	Code	IRC2015/TPI2014	Matrix-MR							Weight: 17 lb	FT = 20%

**LUMBER**  
TOP CHORD 2x4 SP No.2  
BOT CHORD 2x4 SP No.2  
WEBS 2x4 SP No.3

**BRACING**  
TOP CHORD Structural wood sheathing directly applied or 4-0-0 oc purlins, except end verticals, and 2-0-0 oc purlins: 3-4.  
BOT CHORD Rigid ceiling directly applied or 10-0-0 oc bracing.

**REACTIONS** (lb/size) 4=100/ Mechanical, (min. 0-1-8), 5=41/ Mechanical, (min. 0-1-8), 6=231/0-3-8, (min. 0-1-8)  
Max Horiz 6=82 (LC 10)  
Max Uplift 4=-54 (LC 7), 6=-17 (LC 10)  
Max Grav 4=100 (LC 1), 5=72 (LC 3), 6=231 (LC 1)

**FORCES** (lb) - Max. Comp./Max. Ten. - All forces 250 (lb) or less except when shown.

- NOTES**
- Unbalanced roof live loads have been considered for this design.
  - Wind: ASCE 7-10; Vult=130mph (3-second gust) Vasd=103mph; TCDL=6.0psf; BCDL=6.0psf; h=35ft; Cat. II; Exp B; Enclosed; MWFRS (envelope) exterior zone and C-C Exterior (2) zone; cantilever left and right exposed; end vertical left and right exposed; C-C for members and forces & MWFRS for reactions shown; Lumber DOL=1.60 plate grip DOL=1.60
  - Provide adequate drainage to prevent water ponding.
  - This truss has been designed for a 10.0 psf bottom chord live load nonconcurrent with any other live loads.
  - \* This truss has been designed for a live load of 20.0psf on the bottom chord in all areas where a rectangle 3-06-00 tall by 2-00-00 wide will fit between the bottom chord and any other members.
  - Provide mechanical connection (by others) of truss to bearing plate capable of withstanding 17 lb uplift at joint 6 and 54 lb uplift at joint 4.
  - This truss is designed in accordance with the 2015 International Residential Code sections R502.11.1 and R802.10.2 and referenced standard ANSI/TPI 1.
  - Graphical purlin representation does not depict the size or the orientation of the purlin along the top and/or bottom chord.



This design is based upon parameters shown, and is for an individual building component to be installed and loaded vertically. Applicability of design parameters and proper incorporation of component is responsibility of the Building Designer. Building Designer shall verify all design information on this sheet for conformance with conditions and requirements of the specific building and governing codes and ordinances. Building Designer accepts responsibility for the correctness or accuracy of the design information as it may relate to a specific building. Certification is valid only when truss is fabricated by a UFPI plant. Bracing shown is for lateral support of truss members only and does not replace erection and permanent bracing. Refer to Building Component Safety Information (BCSI) for general guidance regarding storage, erection and bracing available from SBCA and Truss Plate Institute.



Job 72435958	Truss EJ4T	Truss Type Truss	Qty 1	Ply 1	MUNGO HOMES - TELFAIR B ROOF Job Reference (optional)
-----------------	---------------	---------------------	----------	----------	----------------------------------------------------------

UFP Mid Atlantic LLC, 5631 S. NC 62, Burlington, NC, Chawn Duty

Run: 8.81 S Sep 13 2024 Print: 8.810 S Sep 13 2024 MiTek Industries, Inc. Mon Nov 18 09:09:02

Page: 1

ID:Zz0GhP3p1NRQP4?mf48?\_KyJ07P-pxZfhMqLYTExQAo4VtNwU7eSn2FDLYTnAnxL\_cy!u?

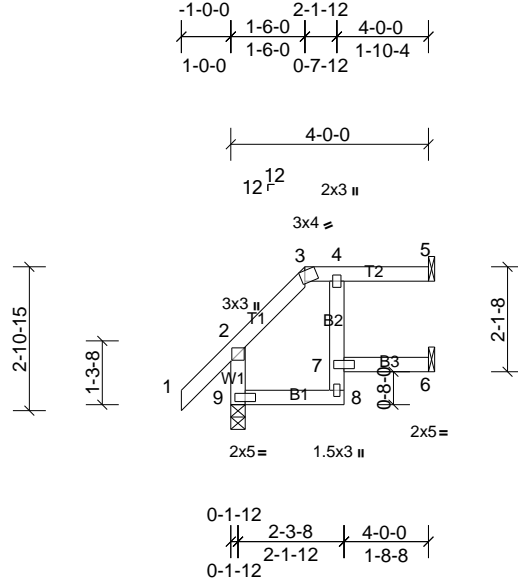


Plate Offsets (X, Y): [3:0-0-11,Edge]

Loading	(psf)	Spacing	2-0-0	CSI		DEFL	in	(loc)	l/defl	L/d	PLATES	GRIP
TCLL (roof)	20.0	Plate Grip DOL	1.15	TC	0.21	Vert(LL)	0.01	7	>999	240	MT20	244/190
TCDL	10.0	Lumber DOL	1.15	BC	0.16	Vert(CT)	-0.02	7	>999	180		
BCLL	0.0*	Rep Stress Incr	YES	WB	0.00	Horz(CT)	-0.03	5	n/a	n/a		
BCDL	10.0	Code	IRC2015/TPI2014	Matrix-MR							Weight: 20 lb	FT = 20%

**LUMBER**

TOP CHORD 2x4 SP No.2  
 BOT CHORD 2x4 SP No.2 \*Except\* B2:2x4 SP No.3  
 WEBS 2x4 SP No.3

**BRACING**

TOP CHORD Structural wood sheathing directly applied or 4-0-0 oc purlins, except end verticals, and 2-0-0 oc purlins: 3-5.  
 BOT CHORD Rigid ceiling directly applied or 10-0-0 oc bracing.

**REACTIONS**

(lb/size) 5=91/ Mechanical, (min. 0-1-8), 6=50/ Mechanical, (min. 0-1-8), 9=231/0-3-8, (min. 0-1-8)  
 Max Horiz 9=82 (LC 10)  
 Max Uplift 5=38 (LC 7), 6=9 (LC 7), 9=17 (LC 10)  
 Max Grav 5=91 (LC 1), 6=59 (LC 3), 9=231 (LC 1)

**FORCES**

(lb) - Max. Comp./Max. Ten. - All forces 250 (lb) or less except when shown.

**NOTES**

- Unbalanced roof live loads have been considered for this design.
- Wind: ASCE 7-10; Vult=130mph (3-second gust) Vasd=103mph; TCDL=6.0psf; BCDL=6.0psf; h=35ft; Cat. II; Exp B; Enclosed; MWFRS (envelope) exterior zone and C-C Exterior (2) zone; cantilever left and right exposed; end vertical left and right exposed; C-C for members and forces & MWFRS for reactions shown; Lumber DOL=1.60 plate grip DOL=1.60
- Provide adequate drainage to prevent water ponding.
- This truss has been designed for a 10.0 psf bottom chord live load nonconcurrent with any other live loads.
- \* This truss has been designed for a live load of 20.0psf on the bottom chord in all areas where a rectangle 3-06-00 tall by 2-00-00 wide will fit between the bottom chord and any other members.
- Bearing at joint(s) 9 considers parallel to grain value using ANSI/TPI 1 angle to grain formula. Building designer should verify capacity of bearing surface.
- Provide mechanical connection (by others) of truss to bearing plate capable of withstanding 38 lb uplift at joint 5, 9 lb uplift at joint 6 and 17 lb uplift at joint 9.
- This truss is designed in accordance with the 2015 International Residential Code sections R502.11.1 and R802.10.2 and referenced standard ANSI/TPI 1.
- Graphical purlin representation does not depict the size or the orientation of the purlin along the top and/or bottom chord.



This design is based upon parameters shown, and is for an individual building component to be installed and loaded vertically. Applicability of design parameters and proper incorporation of component is responsibility of the Building Designer. Building Designer shall verify all design information on this sheet for conformance with conditions and requirements of the specific building and governing codes and ordinances. Building Designer accepts responsibility for the correctness or accuracy of the design information as it may relate to a specific building. Certification is valid only when truss is fabricated by a UFPI plant. Bracing shown is for lateral support of truss members only and does not replace erection and permanent bracing. Refer to Building Component Safety Information (BCSI) for general guidance regarding storage, erection and bracing available from SBCA and Truss Plate Institute.



Job 72435958	Truss EJ5	Truss Type Truss	Qty 2	Ply 1	MUNGO HOMES - TELFAIR B ROOF Job Reference (optional)
-----------------	--------------	---------------------	----------	----------	----------------------------------------------------------

UFP Mid Atlantic LLC, 5631 S. NC 62, Burlington, NC, Chawn Duty

Run: 8.81 S Sep 13 2024 Print: 8.810 S Sep 13 2024 MiTek Industries, Inc. Mon Nov 18 09:09:02

Page: 1

ID:vCMaIwKcr7CJ2Sh?xiXAtzyJ073-pxZfhMqLYTExQAo4VtNwU7eR\_2F0LYTnAnxL\_cy!u?

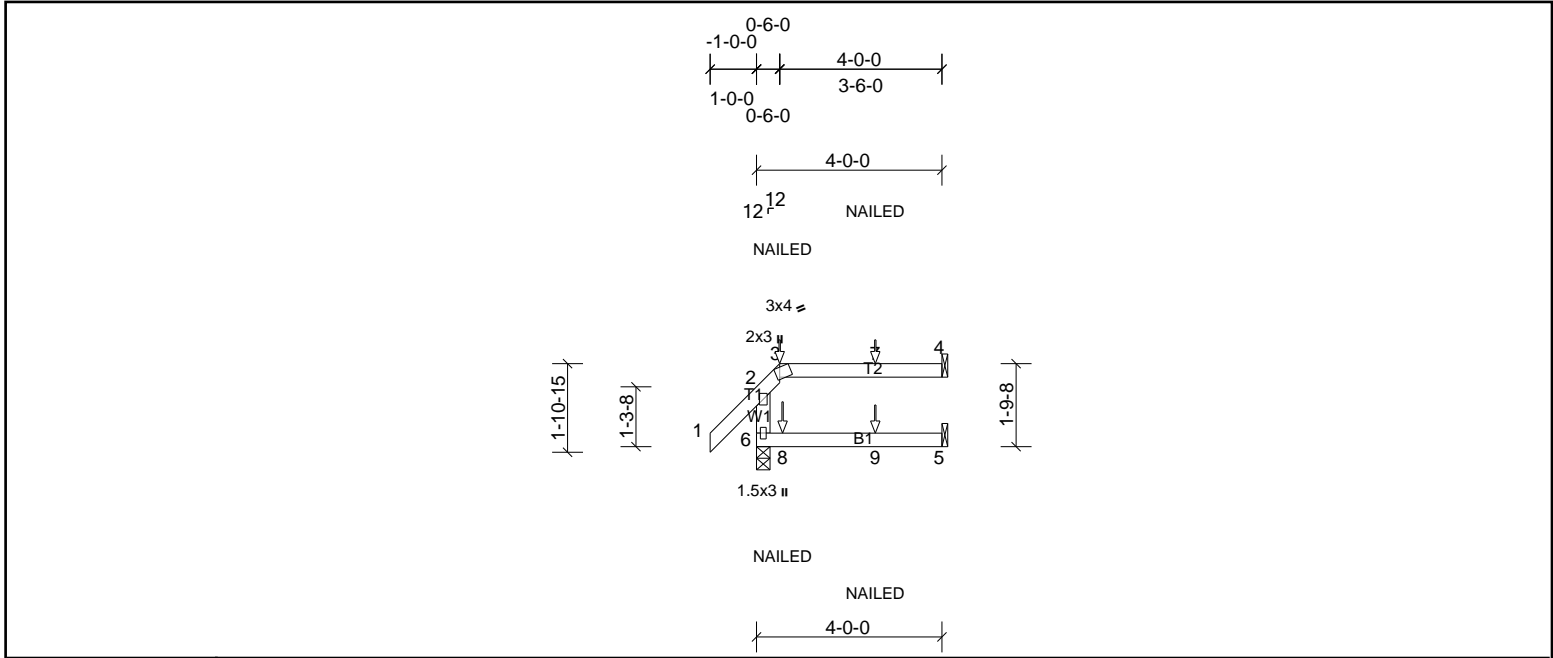


Plate Offsets (X, Y): [3:0-0-11,Edge]

Loading	(psf)	Spacing	2-0-0	CSI	DEFLL	in	(loc)	l/defl	L/d	PLATES	GRIP	
TCLL (roof)	20.0	Plate Grip DOL	1.15	TC	0.26	Vert(LL)	0.01	5-6	>999	240	MT20	244/190
TCDL	10.0	Lumber DOL	1.15	BC	0.17	Vert(CT)	-0.02	5-6	>999	180		
BCLL	0.0*	Rep Stress Incr		NO	0.00	Horz(CT)	0.03	4	n/a	n/a		
BCDL	10.0	Code	IRC2015/TPI2014	Matrix-MR							Weight: 16 lb	FT = 20%

LUMBER		BRACING	
TOP CHORD	2x4 SP No.2	TOP CHORD	Structural wood sheathing directly applied or 4-0-0 oc purlins, except end
BOT CHORD	2x4 SP No.2	BOT CHORD	verticals, and 2-0-0 oc purlins: 3-4.
WEBS	2x4 SP No.3		Rigid ceiling directly applied or 10-0-0 oc bracing.

**REACTIONS**

(lb/size)	4=101/ Mechanical, (min. 0-1-8), 5=43/ Mechanical, (min. 0-1-8), 6=241/0-3-8, (min. 0-1-8)
Max Horiz	6=52 (LC 5)
Max Uplift	4=-52 (LC 5), 6=-48 (LC 8)
Max Grav	4=106 (LC 20), 5=73 (LC 3), 6=241 (LC 1)

**FORCES** (lb) - Max. Comp./Max. Ten. - All forces 250 (lb) or less except when shown.

- NOTES**
- Unbalanced roof live loads have been considered for this design.
  - Wind: ASCE 7-10; Vult=130mph (3-second gust) Vasd=103mph; TCDL=6.0psf; BCDL=6.0psf; h=35ft; Cat. II; Exp B; Enclosed; MWFRS (envelope) exterior zone; cantilever left and right exposed; end vertical left and right exposed; Lumber DOL=1.60 plate grip DOL=1.60
  - Provide adequate drainage to prevent water ponding.
  - This truss has been designed for a 10.0 psf bottom chord live load nonconcurrent with any other live loads.
  - \* This truss has been designed for a live load of 20.0psf on the bottom chord in all areas where a rectangle 3-06-00 tall by 2-00-00 wide will fit between the bottom chord and any other members.
  - Provide mechanical connection (by others) of truss to bearing plate capable of withstanding 48 lb uplift at joint 6 and 52 lb uplift at joint 4.
  - This truss is designed in accordance with the 2015 International Residential Code sections R502.11.1 and R802.10.2 and referenced standard ANSI/TPI 1.
  - Graphical purlin representation does not depict the size or the orientation of the purlin along the top and/or bottom chord.
  - "NAILED" indicates Girder: 3-10d (0.148" x 3") toe-nails per NDS guidelines.
  - In the LOAD CASE(S) section, loads applied to the face of the truss are noted as front (F) or back (B).

**LOAD CASE(S)** Standard

1) Dead + Roof Live (balanced): Lumber Increase=1.15, Plate Increase=1.15
Uniform Loads (lb/ft)
Vert: 1-2=-60, 2-3=-60, 3-4=-60, 5-6=-20
Concentrated Loads (lb)
Vert: 8=-10 (B), 9=-4 (B)



This design is based upon parameters shown, and is for an individual building component to be installed and loaded vertically. Applicability of design parameters and proper incorporation of component is responsibility of the Building Designer. Building Designer shall verify all design information on this sheet for conformance with conditions and requirements of the specific building and governing codes and ordinances. Building Designer accepts responsibility for the correctness or accuracy of the design information as it may relate to a specific building. Certification is valid only when truss is fabricated by a UFPI plant. Bracing shown is for lateral support of truss members only and does not replace erection and permanent bracing. Refer to Building Component Safety Information (BCSI) for general guidance regarding storage, erection and bracing available from SBCA and Truss Plate Institute.



Job 72435958	Truss EJ6	Truss Type Truss	Qty 1	Ply 1	MUNGO HOMES - TELFAIR B ROOF Job Reference (optional)
-----------------	--------------	---------------------	----------	----------	----------------------------------------------------------

UFP Mid Atlantic LLC, 5631 S. NC 62, Burlington, NC, Chawn Duty

Run: 8.81 S Sep 13 2024 Print: 8.810 S Sep 13 2024 MiTek Industries, Inc. Mon Nov 18 09:09:03

Page: 1

ID:kMjrZzPNRzzSmN88lyea7EyJ06z-H872uirzJmMo2KNG3au91Kbc9SaH4?jwPRguW3yl?u

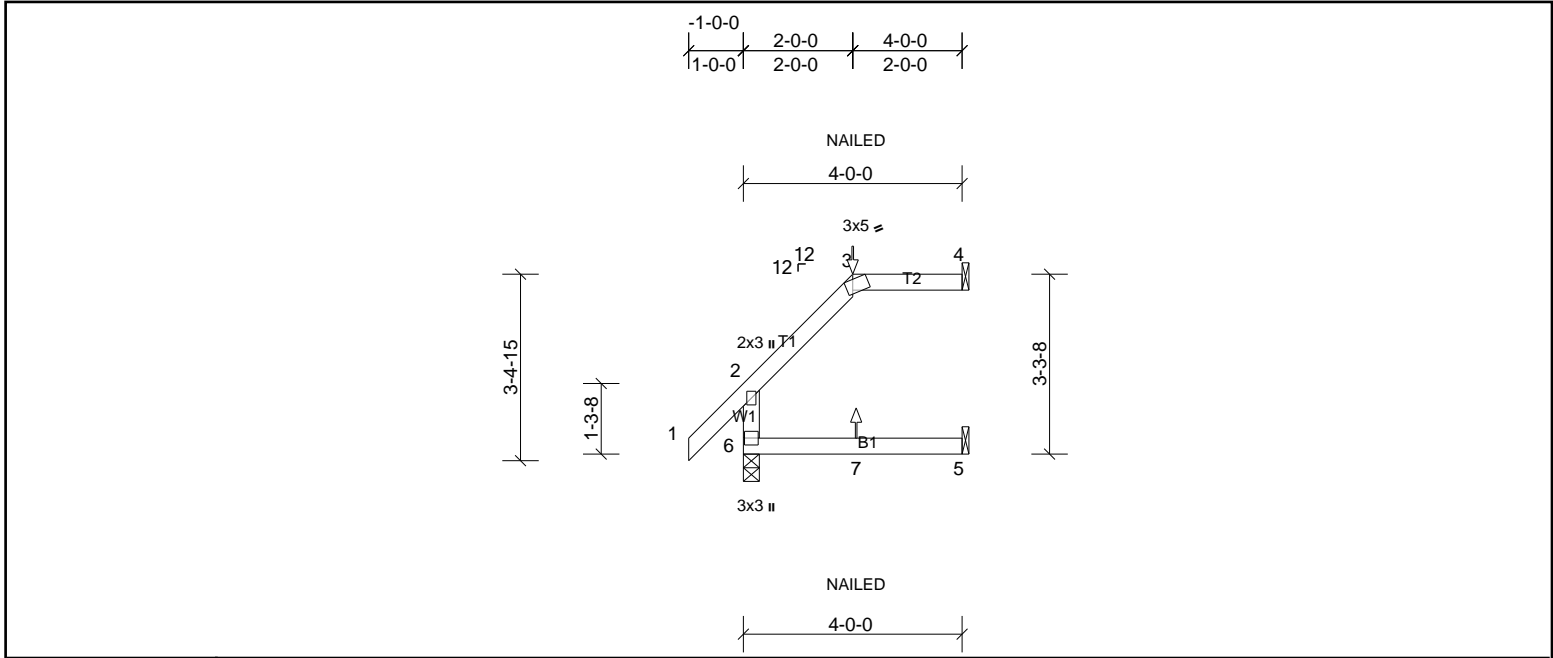


Plate Offsets (X, Y): [3:0-1-3,Edge]

Loading	(psf)	Spacing	2-0-0	CSI	DEFL	in	(loc)	l/defl	L/d	PLATES	GRIP	
TCLL (roof)	20.0	Plate Grip DOL	1.15	TC	0.30	Vert(LL)	0.03	5-6	>999	240	MT20	244/190
TCDL	10.0	Lumber DOL	1.15	BC	0.17	Vert(CT)	-0.02	5-6	>999	180		
BCLL	0.0*	Rep Stress Incr	NO	WB	0.00	Horz(CT)	-0.10	4	n/a	n/a		
BCDL	10.0	Code	IRC2015/TPI2014	Matrix-MR							Weight: 17 lb	FT = 20%

LUMBER		BRACING	
TOP CHORD	2x4 SP No.2	TOP CHORD	Structural wood sheathing directly applied or 4-0-0 oc purlins, except end
BOT CHORD	2x4 SP No.2	BOT CHORD	verticals, and 2-0-0 oc purlins: 3-4.
WEBS	2x4 SP No.3		Rigid ceiling directly applied or 10-0-0 oc bracing.

REACTIONS	(lb/size)	4=99/ Mechanical, (min. 0-1-8), 5=41/ Mechanical, (min. 0-1-8), 6=230/0-3-8, (min. 0-1-8)
Max Horiz	6=102 (LC 8)	
Max Uplift	4=-78 (LC 5), 5=-19 (LC 8), 6=-48 (LC 8)	
Max Grav	4=99 (LC 1), 5=72 (LC 3), 6=230 (LC 1)	

**FORCES** (lb) - Max. Comp./Max. Ten. - All forces 250 (lb) or less except when shown.

- NOTES**
- Unbalanced roof live loads have been considered for this design.
  - Wind: ASCE 7-10; Vult=130mph (3-second gust) Vasd=103mph; TCDL=6.0psf; BCDL=6.0psf; h=35ft; Cat. II; Exp B; Enclosed; MWFRS (envelope) exterior zone; cantilever left and right exposed; end vertical left and right exposed; Lumber DOL=1.60 plate grip DOL=1.60
  - Provide adequate drainage to prevent water ponding.
  - This truss has been designed for a 10.0 psf bottom chord live load nonconcurrent with any other live loads.
  - \* This truss has been designed for a live load of 20.0psf on the bottom chord in all areas where a rectangle 3-06-00 tall by 2-00-00 wide will fit between the bottom chord and any other members.
  - Provide mechanical connection (by others) of truss to bearing plate capable of withstanding 48 lb uplift at joint 6, 78 lb uplift at joint 4 and 19 lb uplift at joint 5.
  - This truss is designed in accordance with the 2015 International Residential Code sections R502.11.1 and R802.10.2 and referenced standard ANSI/TPI 1.
  - Graphical purlin representation does not depict the size or the orientation of the purlin along the top and/or bottom chord.
  - "NAILED" indicates Girder: 3-10d (0.148" x 3") toe-nails per NDS guidelines.
  - In the LOAD CASE(S) section, loads applied to the face of the truss are noted as front (F) or back (B).

LOAD CASE(S)	Standard
1) Dead + Roof Live (balanced): Lumber Increase=1.15, Plate Increase=1.15	
Uniform Loads (lb/ft)	
Vert: 1-2=-60, 2-3=-60, 3-4=-60, 5-6=-20	
Concentrated Loads (lb)	
Vert: 7=2 (B)	



This design is based upon parameters shown, and is for an individual building component to be installed and loaded vertically. Applicability of design parameters and proper incorporation of component is responsibility of the Building Designer. Building Designer shall verify all design information on this sheet for conformance with conditions and requirements of the specific building and governing codes and ordinances. Building Designer accepts responsibility for the correctness or accuracy of the design information as it may relate to a specific building. Certification is valid only when truss is fabricated by a UFPI plant. Bracing shown is for lateral support of truss members only and does not replace erection and permanent bracing. Refer to Building Component Safety Information (BCSI) for general guidance regarding storage, erection and bracing available from SBCA and Truss Plate Institute.





Job 72435958	Truss P1	Truss Type Truss	Qty 7	Ply 1	MUNGO HOMES - TELFAIR B ROOF Job Reference (optional)
-----------------	-------------	---------------------	----------	----------	----------------------------------------------------------

UFPI Mid Atlantic LLC, 5631 S. NC 62, Burlington, NC, Chawn Duty

Run: 8.81 S Sep 13 2024 Print: 8.810 S Sep 13 2024 MiTek Industries, Inc. Mon Nov 18 09:09:03

Page: 1

ID:a?q6?71yTv6SHVH?OlZqv2z8gqv-H872uirzJmMo2KNG3au91KBcKSZz4?jwPRguW3y1?u

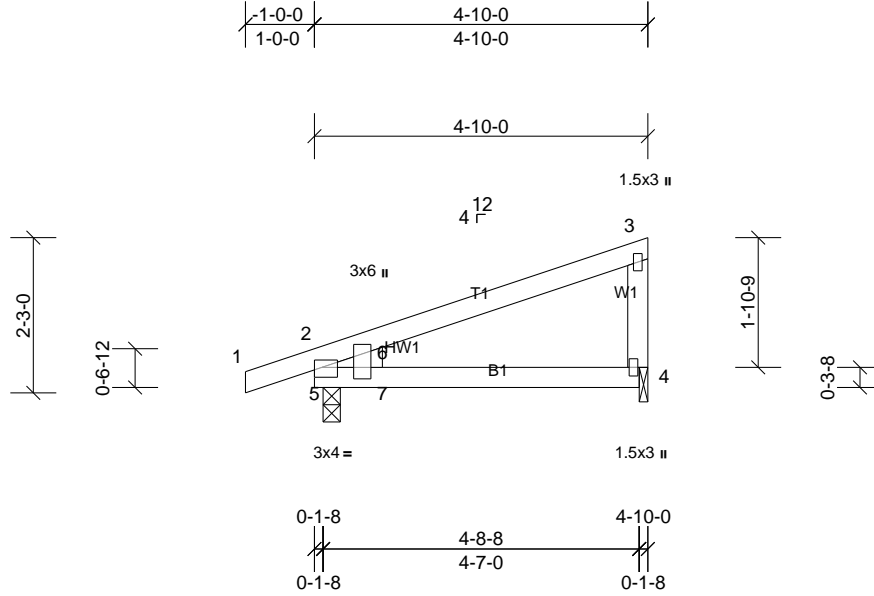


Plate Offsets (X, Y): [2:Edge,0-1-4], [2:0-1-9,0-6-13]

Loading	(psf)	Spacing	2-0-0	CSI	DEFL	in	(loc)	l/defl	L/d	PLATES	GRIP
TCLL (roof)	20.0	Plate Grip DOL	1.15	TC	0.29	Vert(LL)	0.03	4-7	>999	MT20	244/190
TCDL	10.0	Lumber DOL	1.15	BC	0.26	Vert(CT)	-0.05	4-7	>999		
BCLL	0.0*	Rep Stress Incr	YES	WB	0.00	Horz(CT)	0.01	2	n/a		
BCDL	10.0	Code	IRC2015/TPI2014	Matrix-MP						Weight: 20 lb	FT = 20%

**LUMBER**

TOP CHORD 2x4 SP No.2  
 BOT CHORD 2x4 SP No.2  
 WEBS 2x4 SP No.3  
 WEDGE Left: 2x4 SP No.2

**BRACING**

TOP CHORD Structural wood sheathing directly applied or 4-10-0 oc purlins, except end verticals.  
 BOT CHORD Rigid ceiling directly applied or 10-0-0 oc bracing.

**REACTIONS**

(lb/size) 2=254/0-3-0, (min. 0-1-8), 4=181/0-1-8, (min. 0-1-8)  
 Max Horiz 2=83 (LC 9)  
 Max Uplift 2=78 (LC 6), 4=43 (LC 10)

**FORCES**

(lb) - Max. Comp./Max. Ten. - All forces 250 (lb) or less except when shown.

**NOTES**

- Unbalanced roof live loads have been considered for this design.
- Wind: ASCE 7-10; Vult=130mph (3-second gust) Vasd=103mph; TCDL=6.0psf; BCDL=6.0psf; h=35ft; Cat. II; Exp B; Enclosed; MWFRS (envelope) exterior zone and C-C Exterior (2) zone; cantilever left and right exposed; end vertical left and right exposed; C-C for members and forces & MWFRS for reactions shown; Lumber DOL=1.60 plate grip DOL=1.60
- This truss has been designed for a 10.0 psf bottom chord live load nonconcurrent with any other live loads.
- \* This truss has been designed for a live load of 20.0psf on the bottom chord in all areas where a rectangle 3-06-00 tall by 2-00-00 wide will fit between the bottom chord and any other members.
- Bearing at joint(s) 4 considers parallel to grain value using ANSI/TPI 1 angle to grain formula. Building designer should verify capacity of bearing surface.
- Provide mechanical connection (by others) of truss to bearing plate at joint(s) 4.
- Provide mechanical connection (by others) of truss to bearing plate capable of withstanding 78 lb uplift at joint 2 and 43 lb uplift at joint 4.
- This truss is designed in accordance with the 2015 International Residential Code sections R502.11.1 and R802.10.2 and referenced standard ANSI/TPI 1.



This design is based upon parameters shown, and is for an individual building component to be installed and loaded vertically. Applicability of design parameters and proper incorporation of component is responsibility of the Building Designer. Building Designer shall verify all design information on this sheet for conformance with conditions and requirements of the specific building and governing codes and ordinances. Building Designer accepts responsibility for the correctness or accuracy of the design information as it may relate to a specific building. Certification is valid only when truss is fabricated by a UFPI plant. Bracing shown is for lateral support of truss members only and does not replace erection and permanent bracing. Refer to Building Component Safety Information (BCSI) for general guidance regarding storage, erection and bracing available from SBCA and Truss Plate Institute.



Job 72435958	Truss P2	Truss Type Truss	Qty 4	Ply 1	MUNGO HOMES - TELFAIR B ROOF Job Reference (optional)
-----------------	-------------	---------------------	----------	----------	----------------------------------------------------------

UFPI Mid Atlantic LLC, 5631 S. NC 62, Burlington, NC, Chawn Duty

Run: 8.81 S Sep 13 2024 Print: 8.810 S Sep 13 2024 MiTek Industries, Inc. Mon Nov 18 09:09:03

Page: 1

ID:a?q6?71yTv6SHVH?OIzqv2z8gqv-H872uirzJmMo2KNG3au91KBbxSY?4?jwPRguW3y1?u

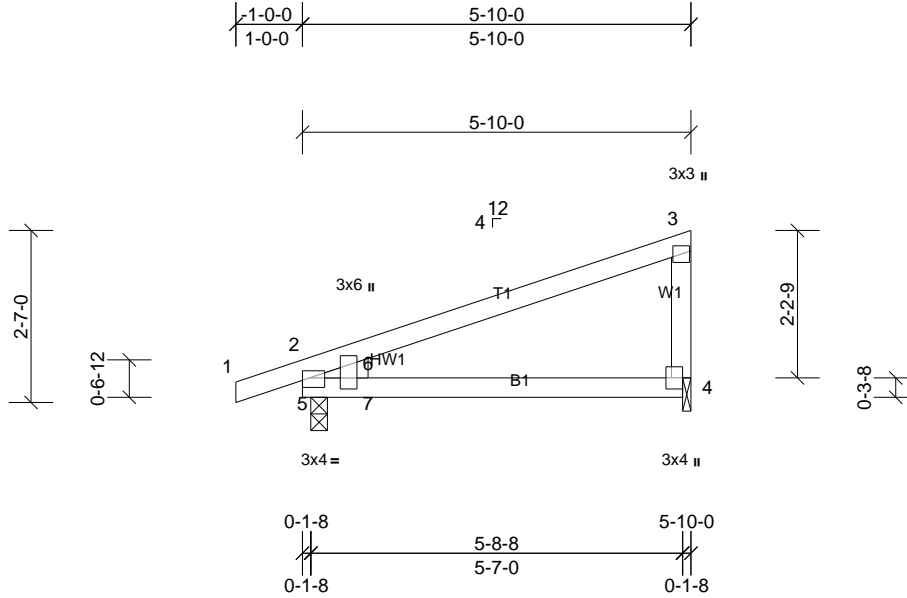


Plate Offsets (X, Y): [2:Edge,0-1-4], [2:0-1-9,0-6-13], [4:Edge,0-2-0]

Loading	(psf)	Spacing	2-0-0	CSI	DEFL	in	(loc)	l/defl	L/d	PLATES	GRIP	
TCLL (roof)	20.0	Plate Grip DOL	1.15	TC	0.38	Vert(LL)	0.04	4-7	>999	240	MT20	244/190
TCDL	10.0	Lumber DOL	1.15	BC	0.32	Vert(CT)	-0.07	4-7	>957	180		
BCLL	0.0*	Rep Stress Incr	YES	WB	0.00	Horz(CT)	0.01	2	n/a	n/a		
BCDL	10.0	Code	IRC2015/TPI2014	Matrix-MSH							Weight: 23 lb	FT = 20%

**LUMBER**

TOP CHORD 2x4 SP No.2  
 BOT CHORD 2x4 SP No.2  
 WEBS 2x4 SP No.3  
 WEDGE Left: 2x4 SP No.2

**BRACING**

TOP CHORD Structural wood sheathing directly applied or 5-10-0 oc purlins, except end verticals.  
 BOT CHORD Rigid ceiling directly applied or 10-0-0 oc bracing.

**REACTIONS**

(lb/size) 2=293/0-3-0, (min. 0-1-8), 4=222/0-1-8, (min. 0-1-8)  
 Max Horiz 2=98 (LC 9)  
 Max Uplift 2=84 (LC 6), 4=53 (LC 10)

**FORCES**

(lb) - Max. Comp./Max. Ten. - All forces 250 (lb) or less except when shown.

**NOTES**

- Unbalanced roof live loads have been considered for this design.
- Wind: ASCE 7-10; Vult=130mph (3-second gust) Vasd=103mph; TCCL=6.0psf; BCDL=6.0psf; h=35ft; Cat. II; Exp B; Enclosed; MWFRS (envelope) exterior zone and C-C Exterior (2) zone; cantilever left and right exposed; end vertical left and right exposed; C-C for members and forces & MWFRS for reactions shown; Lumber DOL=1.60 plate grip DOL=1.60
- This truss has been designed for a 10.0 psf bottom chord live load nonconcurrent with any other live loads.
- \* This truss has been designed for a live load of 20.0psf on the bottom chord in all areas where a rectangle 3-06-00 tall by 2-00-00 wide will fit between the bottom chord and any other members.
- Bearing at joint(s) 4 considers parallel to grain value using ANSI/TPI 1 angle to grain formula. Building designer should verify capacity of bearing surface.
- Provide mechanical connection (by others) of truss to bearing plate at joint(s) 4.
- Provide mechanical connection (by others) of truss to bearing plate capable of withstanding 84 lb uplift at joint 2 and 53 lb uplift at joint 4.
- This truss is designed in accordance with the 2015 International Residential Code sections R502.11.1 and R802.10.2 and referenced standard ANSI/TPI 1.



This design is based upon parameters shown, and is for an individual building component to be installed and loaded vertically. Applicability of design parameters and proper incorporation of component is responsibility of the Building Designer. Building Designer shall verify all design information on this sheet for conformance with conditions and requirements of the specific building and governing codes and ordinances. Building Designer accepts responsibility for the correctness or accuracy of the design information as it may relate to a specific building. Certification is valid only when truss is fabricated by a UFPI plant. Bracing shown is for lateral support of truss members only and does not replace erection and permanent bracing. Refer to Building Component Safety Information (BCSI) for general guidance regarding storage, erection and bracing available from SBCA and Truss Plate Institute.



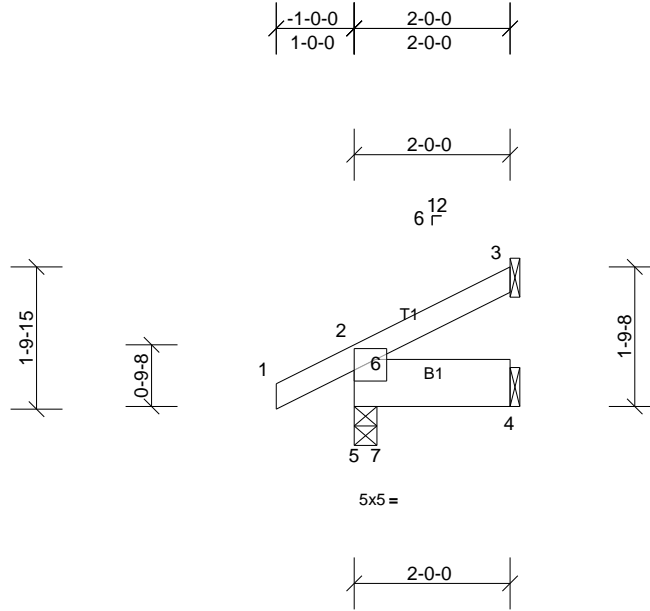
Job 72435958	Truss SJ1	Truss Type Truss	Qty 4	Ply 1	MUNGO HOMES - TELFAIR B ROOF Job Reference (optional)
-----------------	--------------	---------------------	----------	----------	----------------------------------------------------------

UFP Mid Atlantic LLC, 5631 S. NC 62, Burlington, NC, Chawn Duty

Run: 8.81 S Sep 13 2024 Print: 8.810 S Sep 13 2024 MiTek Industries, Inc. Mon Nov 18 09:09:03

Page: 1

ID:y2mrsMvXv\_lersbxLgVes\_yJ0FM-H872uirzJmMo2KNG3au91KBfmScl4?jwPRguW3y1?u



Loading	(psf)	Spacing	2-0-0	CSI		DEFL	in	(loc)	l/defl	L/d	PLATES	GRIP
TCLL (roof)	20.0	Plate Grip DOL	1.15	TC	0.07	Vert(LL)	0.00	7	>999	240	MT20	244/190
TCDL	10.0	Lumber DOL	1.15	BC	0.01	Vert(CT)	0.00	4-7	>999	180		
BCLL	0.0*	Rep Stress Incr	YES	WB	0.00	Horz(CT)	0.00	3	n/a	n/a		
BCDL	10.0	Code	IRC2015/TPI2014	Matrix-MP							Weight: 11 lb	FT = 20%

**LUMBER**

TOP CHORD 2x4 SP No.2  
BOT CHORD 2x8 SP No.2

**BRACING**

TOP CHORD Structural wood sheathing directly applied or 2-0-0 oc purlins.  
BOT CHORD Rigid ceiling directly applied or 10-0-0 oc bracing.

**REACTIONS**

(lb/size) 2=155/0-3-8, (min. 0-1-8), 3=41/ Mechanical, (min. 0-1-8), 4=24/  
Mechanical, (min. 0-1-8)  
Max Horiz 2=57 (LC 10)  
Max Uplift 2=27 (LC 10), 3=27 (LC 10), 4=1 (LC 10)  
Max Grav 2=155 (LC 1), 3=41 (LC 1), 4=40 (LC 3)

**FORCES**

(lb) - Max. Comp./Max. Ten. - All forces 250 (lb) or less except when shown.

**NOTES**

- Wind: ASCE 7-10; Vult=130mph (3-second gust) Vasd=103mph; TCCL=6.0psf; BCDL=6.0psf; h=35ft; Cat. II; Exp B; Enclosed; MWFRS (envelope) exterior zone and C-C Exterior (2) zone; cantilever left and right exposed; end vertical left and right exposed; C-C for members and forces & MWFRS for reactions shown; Lumber DOL=1.60 plate grip DOL=1.60
- This truss has been designed for a 10.0 psf bottom chord live load nonconcurrent with any other live loads.
- \* This truss has been designed for a live load of 20.0psf on the bottom chord in all areas where a rectangle 3-06-00 tall by 2-00-00 wide will fit between the bottom chord and any other members.
- Provide mechanical connection (by others) of truss to bearing plate capable of withstanding 27 lb uplift at joint 3, 27 lb uplift at joint 2 and 1 lb uplift at joint 4.
- This truss is designed in accordance with the 2015 International Residential Code sections R502.11.1 and R802.10.2 and referenced standard ANSI/TPI 1.



This design is based upon parameters shown, and is for an individual building component to be installed and loaded vertically. Applicability of design parameters and proper incorporation of component is responsibility of the Building Designer. Building Designer shall verify all design information on this sheet for conformance with conditions and requirements of the specific building and governing codes and ordinances. Building Designer accepts responsibility for the correctness or accuracy of the design information as it may relate to a specific building. Certification is valid only when truss is fabricated by a UFPI plant. Bracing shown is for lateral support of truss members only and does not replace erection and permanent bracing. Refer to Building Component Safety Information (BCSI) for general guidance regarding storage, erection and bracing available from SBCA and Truss Plate Institute.





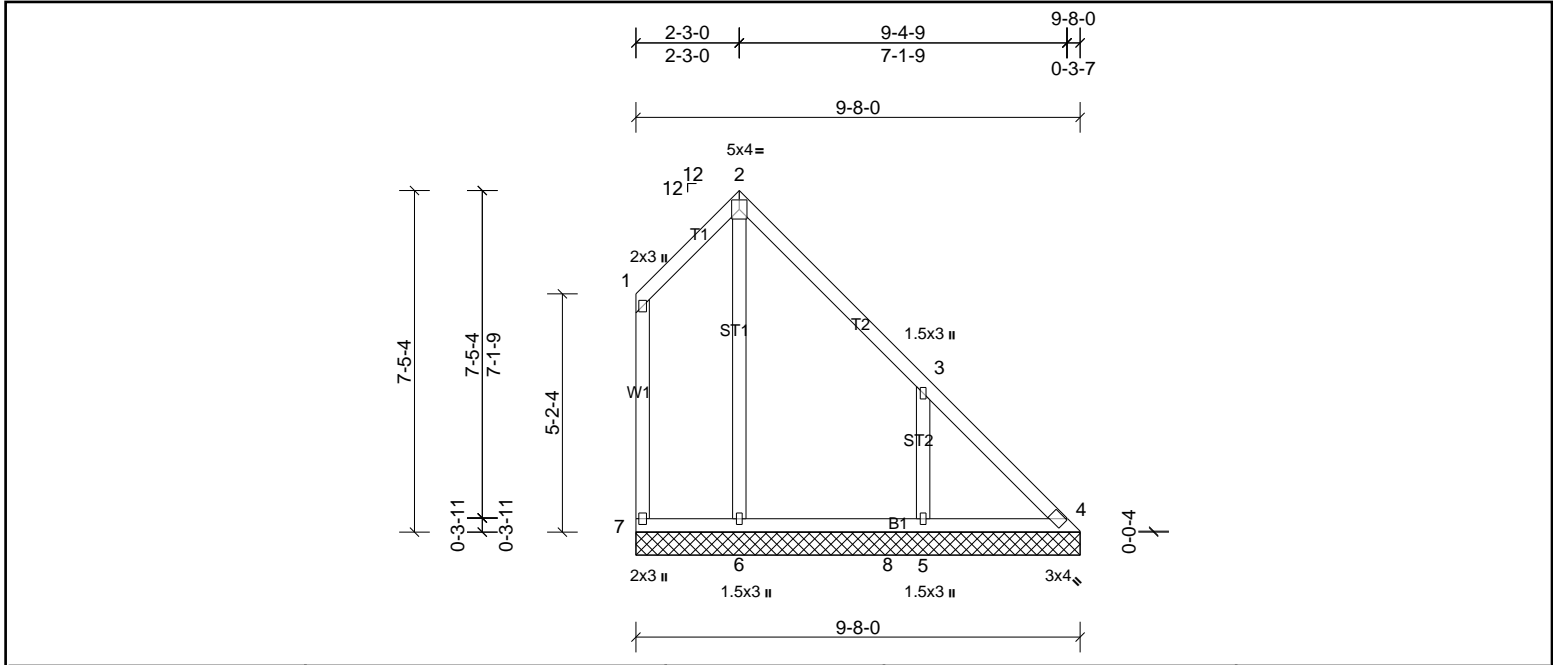
Job 72435958	Truss V1	Truss Type Truss	Qty 1	Ply 1	MUNGO HOMES - TELFAIR B ROOF Job Reference (optional)
-----------------	-------------	---------------------	----------	----------	----------------------------------------------------------

UFP Mid Atlantic LLC, 5631 S. NC 62, Burlington, NC, Chawn Duty

Run: 8.81 S Sep 13 2024 Print: 8.810 S Sep 13 2024 MiTek Industries, Inc. Mon Nov 18 09:09:04

Page: 1

ID:7plsK206KF\_8zUxj?8AIsNyJ0GW-H872uirzJmMo2KNG3au91KBbZSav4y0wPRguW3y1?u



Loading	(psf)	Spacing	2-0-0	CSI	DEFL	in	(loc)	I/defl	L/d	PLATES	GRIP	
TCLL (roof)	20.0	Plate Grip DOL	1.15	TC	0.34	Vert(LL)	n/a	-	n/a	999	MT20	244/190
TCDL	10.0	Lumber DOL	1.15	BC	0.13	Vert(TL)	n/a	-	n/a	999		
BCLL	0.0*	Rep Stress Incr	YES	WB	0.24	Horiz(TL)	0.00	4	n/a	n/a		
BCDL	10.0	Code	IRC2015/TPI2014	Matrix-SH							Weight: 56 lb	FT = 20%

LUMBER	BRACING
TOP CHORD 2x4 SP No.2	TOP CHORD Structural wood sheathing directly applied or 6-0-0 oc purlins, except end verticals.
BOT CHORD 2x4 SP No.2	BOT CHORD Rigid ceiling directly applied or 6-0-0 oc bracing.
WEBS 2x4 SP No.3	
OTHERS 2x4 SP No.3	

REACTIONS
All bearings 9-8-0.
(lb) - Max Horiz 7=-251 (LC 6)
Max Uplift All uplift 100 (lb) or less at joint(s) 4, 6, 7 except 5=-244 (LC 11)
Max Grav All reactions 250 (lb) or less at joint(s) 4, 7 except 5=434 (LC 18), 6=387 (LC 18)

FORCES
(lb) - Max. Comp./Max. Ten. - All forces 250 (lb) or less except when shown.
TOP CHORD 3-4=-266/216
WEBS 2-6=-251/161, 3-5=-357/288

- NOTES**
- Unbalanced roof live loads have been considered for this design.
  - Wind: ASCE 7-10; Vult=130mph (3-second gust) Vasd=103mph; TCCL=6.0psf; BCDL=6.0psf; h=35ft; Cat. II; Exp B; Enclosed; MWFRS (envelope) exterior zone and C-C Exterior (2) zone; cantilever left and right exposed; end vertical left and right exposed; C-C for members and forces & MWFRS for reactions shown; Lumber DOL=1.60 plate grip DOL=1.60
  - Gable requires continuous bottom chord bearing.
  - This truss has been designed for a 10.0 psf bottom chord live load nonconcurrent with any other live loads.
  - \* This truss has been designed for a live load of 20.0psf on the bottom chord in all areas where a rectangle 3-06-00 tall by 2-00-00 wide will fit between the bottom chord and any other members, with BCDL = 10.0psf.
  - Provide mechanical connection (by others) of truss to bearing plate capable of withstanding 100 lb uplift at joint(s) 7, 4, 6 except (jt=lb) 5=243.
  - This truss is designed in accordance with the 2015 International Residential Code sections R502.11.1 and R802.10.2 and referenced standard ANSI/TPI 1.



This design is based upon parameters shown, and is for an individual building component to be installed and loaded vertically. Applicability of design parameters and proper incorporation of component is responsibility of the Building Designer. Building Designer shall verify all design information on this sheet for conformance with conditions and requirements of the specific building and governing codes and ordinances. Building Designer accepts responsibility for the correctness or accuracy of the design information as it may relate to a specific building. Certification is valid only when truss is fabricated by a UFPI plant. Bracing shown is for lateral support of truss members only and does not replace erection and permanent bracing. Refer to Building Component Safety Information (BCSI) for general guidance regarding storage, erection and bracing available from SBCA and Truss Plate Institute.





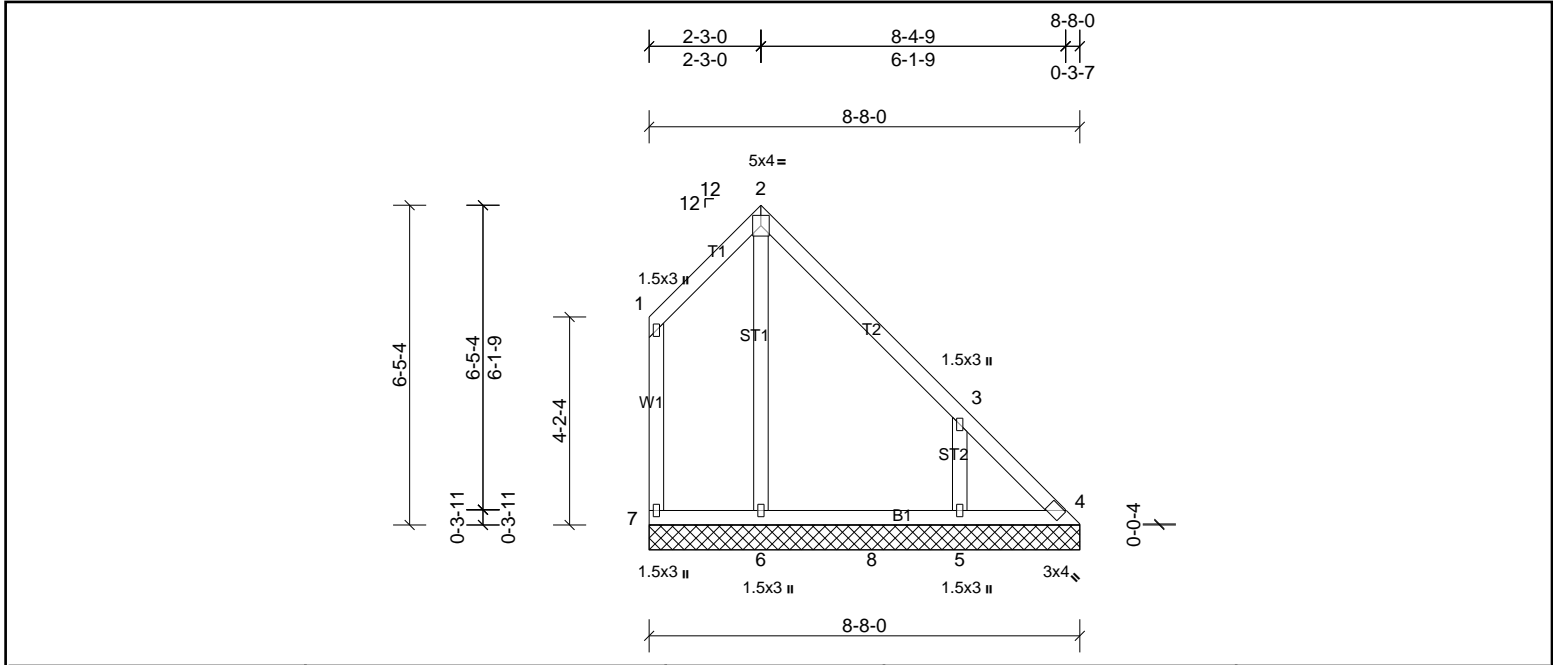
Job 72435958	Truss V2	Truss Type Truss	Qty 1	Ply 1	MUNGO HOMES - TELFAIR B ROOF Job Reference (optional)
-----------------	-------------	---------------------	----------	----------	----------------------------------------------------------

UFP Mid Atlantic LLC, 5631 S. NC 62, Burlington, NC, Chawn Duty

Run: 8.81 S Sep 13 2024 Print: 8.810 S Sep 13 2024 MiTek Industries, Inc. Mon Nov 18 09:09:04

Page: 1

ID:F22LUhzcG0UjUsdymI6MiXyJ0Ga-IKhQ62sb44UffUySdlQOZYjo4sxUpQJ4e5QS1Vyl?tz



Loading	(psf)	Spacing	2-0-0	CSI	DEFL	in	(loc)	l/defl	L/d	PLATES	GRIP	
TCLL (roof)	20.0	Plate Grip DOL	1.15	TC	0.22	Vert(LL)	n/a	-	n/a	999	MT20	244/190
TCDL	10.0	Lumber DOL	1.15	BC	0.11	Vert(TL)	n/a	-	n/a	999		
BCLL	0.0*	Rep Stress Incr	YES	WB	0.17	Horiz(TL)	0.00	4	n/a	n/a		
BCDL	10.0	Code	IRC2015/TPI2014	Matrix-SH							Weight: 48 lb	FT = 20%

LUMBER	BRACING
TOP CHORD 2x4 SP No.2	TOP CHORD Structural wood sheathing directly applied or 6-0-0 oc purlins, except end verticals.
BOT CHORD 2x4 SP No.2	BOT CHORD Rigid ceiling directly applied or 6-0-0 oc bracing.
WEBS 2x4 SP No.3	
OTHERS 2x4 SP No.3	

REACTIONS
All bearings 8-8-0.
(lb) - Max Horiz 7=-211 (LC 6)
Max Uplift All uplift 100 (lb) or less at joint(s) 6, 7 except 4=-102 (LC 9), 5=-221 (LC 11)
Max Grav All reactions 250 (lb) or less at joint(s) 4, 7 except 5=375 (LC 18), 6=373 (LC 18)

FORCES
(lb) - Max. Comp./Max. Ten. - All forces 250 (lb) or less except when shown.
WEBS 3-5=-336/277

- NOTES**
- Unbalanced roof live loads have been considered for this design.
  - Wind: ASCE 7-10; Vult=130mph (3-second gust) Vasd=103mph; TCDL=6.0psf; BCDL=6.0psf; h=35ft; Cat. II; Exp B; Enclosed; MWFRS (envelope) exterior zone and C-C Exterior (2) zone; cantilever left and right exposed; end vertical left and right exposed; C-C for members and forces & MWFRS for reactions shown; Lumber DOL=1.60 plate grip DOL=1.60
  - Gable requires continuous bottom chord bearing.
  - This truss has been designed for a 10.0 psf bottom chord live load nonconcurrent with any other live loads.
  - \* This truss has been designed for a live load of 20.0psf on the bottom chord in all areas where a rectangle 3-06-00 tall by 2-00-00 wide will fit between the bottom chord and any other members, with BCDL = 10.0psf.
  - Provide mechanical connection (by others) of truss to bearing plate capable of withstanding 100 lb uplift at joint(s) 7, 6 except (it=lb) 4=101, 5=221.
  - This truss is designed in accordance with the 2015 International Residential Code sections R502.11.1 and R802.10.2 and referenced standard ANSI/TPI 1.



This design is based upon parameters shown, and is for an individual building component to be installed and loaded vertically. Applicability of design parameters and proper incorporation of component is responsibility of the Building Designer. Building Designer shall verify all design information on this sheet for conformance with conditions and requirements of the specific building and governing codes and ordinances. Building Designer accepts responsibility for the correctness or accuracy of the design information as it may relate to a specific building. Certification is valid only when truss is fabricated by a UFPI plant. Bracing shown is for lateral support of truss members only and does not replace erection and permanent bracing. Refer to Building Component Safety Information (BCSI) for general guidance regarding storage, erection and bracing available from SBCA and Truss Plate Institute.



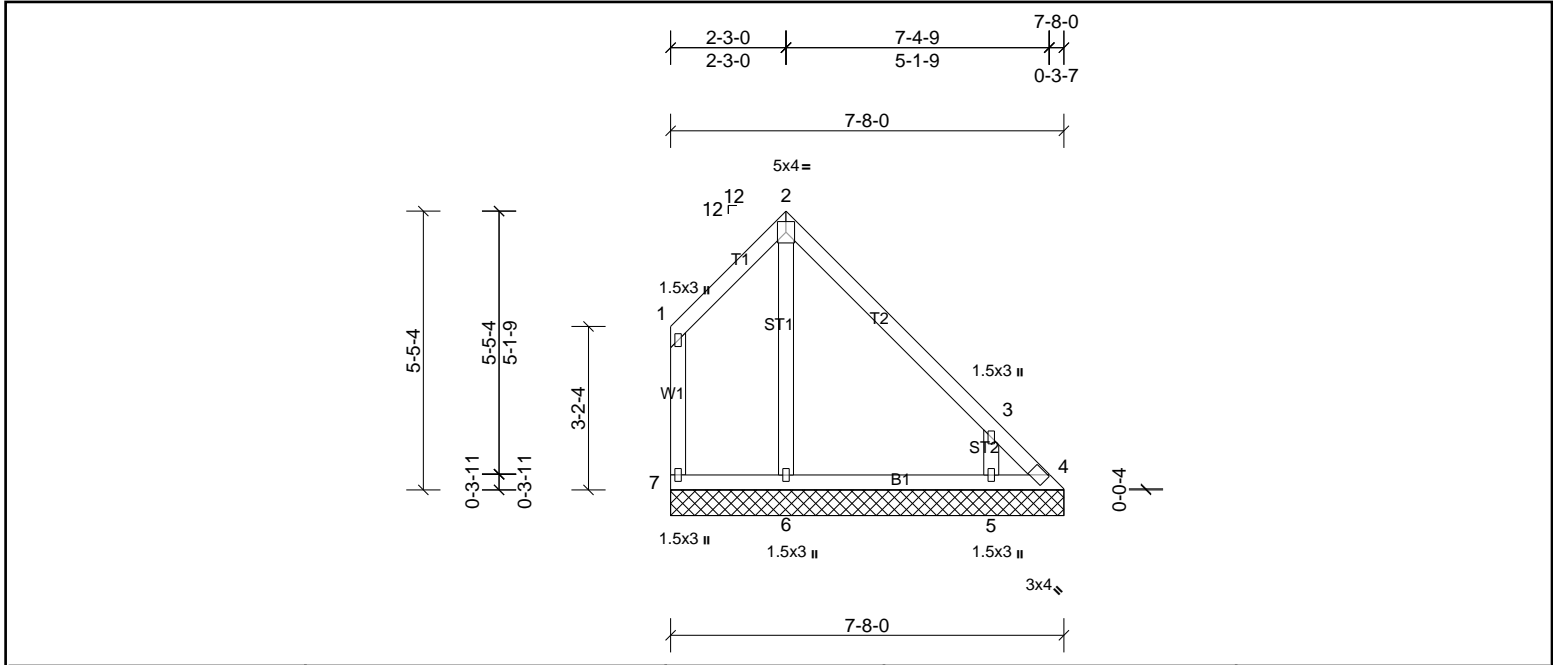
Job 72435958	Truss V3	Truss Type Truss	Qty 1	Ply 1	MUNGO HOMES - TELFAIR B ROOF Job Reference (optional)
-----------------	-------------	---------------------	----------	----------	----------------------------------------------------------

UFPI Mid Atlantic LLC, 5631 S. NC 62, Burlington, NC, Chawn Duty

Run: 8.81 S Sep 13 2024 Print: 8.810 S Sep 13 2024 MiTek Industries, Inc. Mon Nov 18 09:09:04

Page: 1

ID:u4FSRzvTRUrQO5l\_zlWB?UyJ0Gf-IKhQ62sb44UffUySdlQOZYjoMxskpRD4e5QS1Vyl?tz



Loading	(psf)	Spacing	2-0-0	CSI	DEFL	in	(loc)	l/defl	L/d	PLATES	GRIP	
TCLL (roof)	20.0	Plate Grip DOL	1.15	TC	0.21	Vert(LL)	n/a	-	n/a	999	MT20	244/190
TCDL	10.0	Lumber DOL	1.15	BC	0.09	Vert(TL)	n/a	-	n/a	999		
BCLL	0.0*	Rep Stress Incr	YES	WB	0.11	Horiz(TL)	0.00	4	n/a	n/a		
BCDL	10.0	Code	IRC2015/TPI2014	Matrix-SH							Weight: 40 lb	FT = 20%

LUMBER	BRACING
TOP CHORD 2x4 SP No.2	TOP CHORD Structural wood sheathing directly applied or 6-0-0 oc purlins, except end verticals.
BOT CHORD 2x4 SP No.2	BOT CHORD Rigid ceiling directly applied or 10-0-0 oc bracing.
WEBS 2x4 SP No.3	
OTHERS 2x4 SP No.3	

REACTIONS
All bearings 7-8-0.
(lb) - Max Horiz 7=172 (LC 6)
Max Uplift All uplift 100 (lb) or less at joint(s) 6, 7 except 4=160 (LC 9), 5=231 (LC 11)
Max Grav All reactions 250 (lb) or less at joint(s) 4, 7 except 5=364 (LC 18), 6=299 (LC 18)

FORCES
(lb) - Max. Comp./Max. Ten. - All forces 250 (lb) or less except when shown.
WEBS 3-5=371/314

- NOTES**
- Unbalanced roof live loads have been considered for this design.
  - Wind: ASCE 7-10; Vult=130mph (3-second gust) Vasd=103mph; TCCL=6.0psf; BCDL=6.0psf; h=35ft; Cat. II; Exp B; Enclosed; MWFRS (envelope) exterior zone and C-C Exterior (2) zone; cantilever left and right exposed; end vertical left and right exposed; C-C for members and forces & MWFRS for reactions shown; Lumber DOL=1.60 plate grip DOL=1.60
  - Gable requires continuous bottom chord bearing.
  - This truss has been designed for a 10.0 psf bottom chord live load nonconcurrent with any other live loads.
  - \* This truss has been designed for a live load of 20.0psf on the bottom chord in all areas where a rectangle 3-06-00 tall by 2-00-00 wide will fit between the bottom chord and any other members.
  - Provide mechanical connection (by others) of truss to bearing plate capable of withstanding 100 lb uplift at joint(s) 7, 6 except (jt=lb) 4=159, 5=231.
  - This truss is designed in accordance with the 2015 International Residential Code sections R502.11.1 and R802.10.2 and referenced standard ANSI/TPI 1.



This design is based upon parameters shown, and is for an individual building component to be installed and loaded vertically. Applicability of design parameters and proper incorporation of component is responsibility of the Building Designer. Building Designer shall verify all design information on this sheet for conformance with conditions and requirements of the specific building and governing codes and ordinances. Building Designer accepts responsibility for the correctness or accuracy of the design information as it may relate to a specific building. Certification is valid only when truss is fabricated by a UFPI plant. Bracing shown is for lateral support of truss members only and does not replace erection and permanent bracing. Refer to Building Component Safety Information (BCSI) for general guidance regarding storage, erection and bracing available from SBCA and Truss Plate Institute.



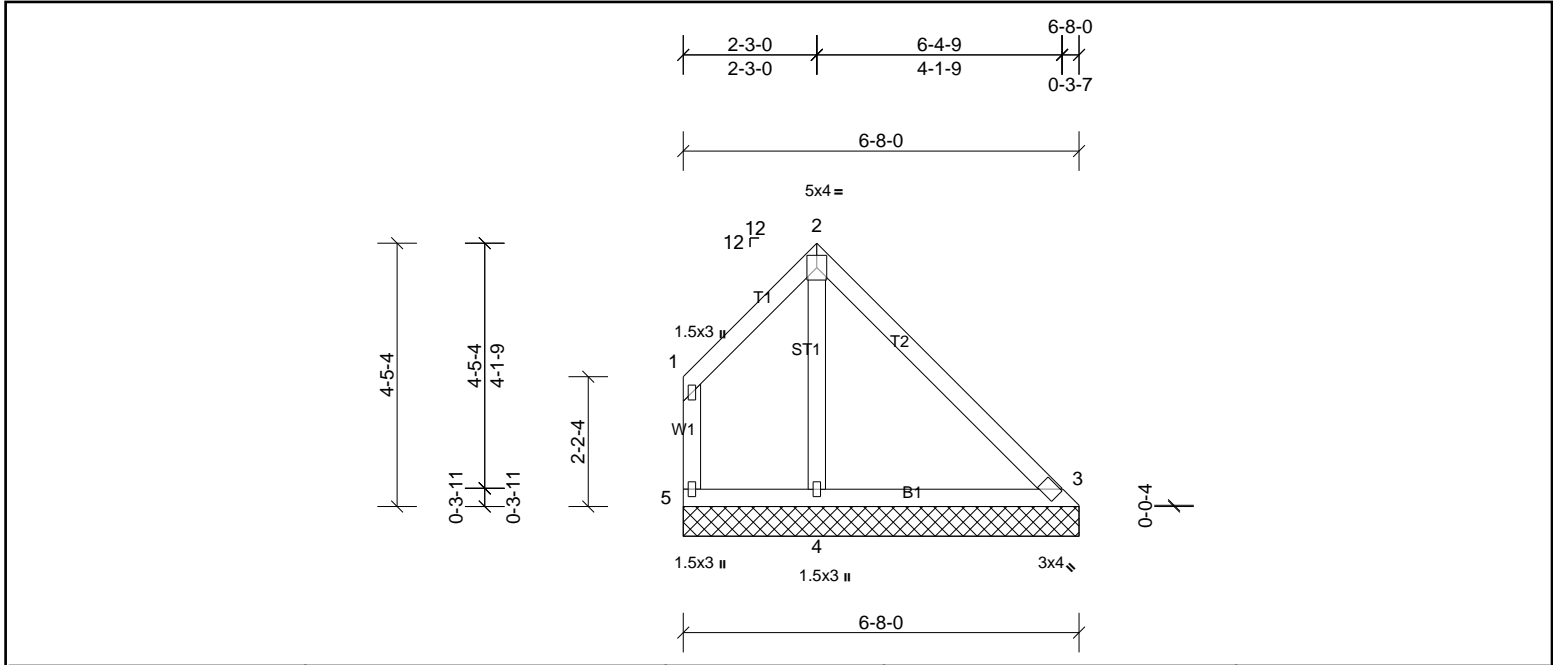
Job 72435958	Truss V4	Truss Type Truss	Qty 1	Ply 1	MUNGO HOMES - TELFAIR B ROOF Job Reference (optional)
-----------------	-------------	---------------------	----------	----------	----------------------------------------------------------

UFP Mid Atlantic LLC, 5631 S. NC 62, Burlington, NC, Chawn Duty

Run: 8.81 S Sep 13 2024 Print: 8.810 S Sep 13 2024 MiTek Industries, Inc. Mon Nov 18 09:09:04

Page: 1

ID:UVaKpyta9ZTrXe0PlczUNryJ0Gi-IKhQ62sb44UffLySdlQOZYjoGswRpRI4e5QS1Vyl?tz



Loading	(psf)	Spacing	2-0-0	CSI	DEFL	in	(loc)	l/defl	L/d	PLATES	GRIP	
TCLL (roof)	20.0	Plate Grip DOL	1.15	TC	0.21	Vert(LL)	n/a	-	n/a	999	MT20	244/190
TCDL	10.0	Lumber DOL	1.15	BC	0.18	Vert(TL)	n/a	-	n/a	999		
BCLL	0.0*	Rep Stress Incr	YES	WB	0.08	Horiz(TL)	0.00	3	n/a	n/a		
BCDL	10.0	Code	IRC2015/TPI2014	Matrix-SH							Weight: 32 lb	FT = 20%

LUMBER		BRACING	
TOP CHORD	2x4 SP No.2	TOP CHORD	Structural wood sheathing directly applied or 6-0-0 oc purlins, except end verticals.
BOT CHORD	2x4 SP No.2	BOT CHORD	Rigid ceiling directly applied or 6-0-0 oc bracing.
WEBS	2x4 SP No.3		
OTHERS	2x4 SP No.3		

REACTIONS	(lb/size)	3=144/6-8-0, (min. 0-1-8), 4=304/6-8-0, (min. 0-1-8), 5=47/6-8-0, (min. 0-1-8)
Max Horiz	5=132 (LC 6)	
Max Uplift	3=27 (LC 7), 4=66 (LC 6), 5=58 (LC 7)	
Max Grav	3=172 (LC 17), 4=358 (LC 18), 5=88 (LC 17)	

**FORCES** (lb) - Max. Comp./Max. Ten. - All forces 250 (lb) or less except when shown.

- NOTES**
- Unbalanced roof live loads have been considered for this design.
  - Wind: ASCE 7-10; Vult=130mph (3-second gust) Vasd=103mph; TCCL=6.0psf; BCDL=6.0psf; h=35ft; Cat. II; Exp B; Enclosed; MWFRS (envelope) exterior zone and C-C Exterior (2) zone; cantilever left and right exposed; end vertical left and right exposed; C-C for members and forces & MWFRS for reactions shown; Lumber DOL=1.60 plate grip DOL=1.60
  - Gable requires continuous bottom chord bearing.
  - This truss has been designed for a 10.0 psf bottom chord live load nonconcurrent with any other live loads.
  - \* This truss has been designed for a live load of 20.0psf on the bottom chord in all areas where a rectangle 3-06-00 tall by 2-00-00 wide will fit between the bottom chord and any other members.
  - Provide mechanical connection (by others) of truss to bearing plate capable of withstanding 58 lb uplift at joint 5, 27 lb uplift at joint 3 and 66 lb uplift at joint 4.
  - This truss is designed in accordance with the 2015 International Residential Code sections R502.11.1 and R802.10.2 and referenced standard ANSI/TPI 1.



This design is based upon parameters shown, and is for an individual building component to be installed and loaded vertically. Applicability of design parameters and proper incorporation of component is responsibility of the Building Designer. Building Designer shall verify all design information on this sheet for conformance with conditions and requirements of the specific building and governing codes and ordinances. Building Designer accepts responsibility for the correctness or accuracy of the design information as it may relate to a specific building. Certification is valid only when truss is fabricated by a UFPI plant. Bracing shown is for lateral support of truss members only and does not replace erection and permanent bracing. Refer to Building Component Safety Information (BCSI) for general guidance regarding storage, erection and bracing available from SBCA and Truss Plate Institute.



Job 72435958	Truss V5	Truss Type Truss	Qty 1	Ply 1	MUNGO HOMES - TELFAIR B ROOF Job Reference (optional)
-----------------	-------------	---------------------	----------	----------	----------------------------------------------------------

UFP Mid Atlantic LLC, 5631 S. NC 62, Burlington, NC, Chawn Duty

Run: 8.81 S Sep 13 2024 Print: 8.810 S Sep 13 2024 MiTek Industries, Inc. Mon Nov 18 09:09:04

Page: 1

ID:jz5I7DmZ15T\_ZPPtqpc29yJ0Gq-IKhQ62sb44UffUySdlQOZYjp?svnpSz4e5QS1Vyl?tz

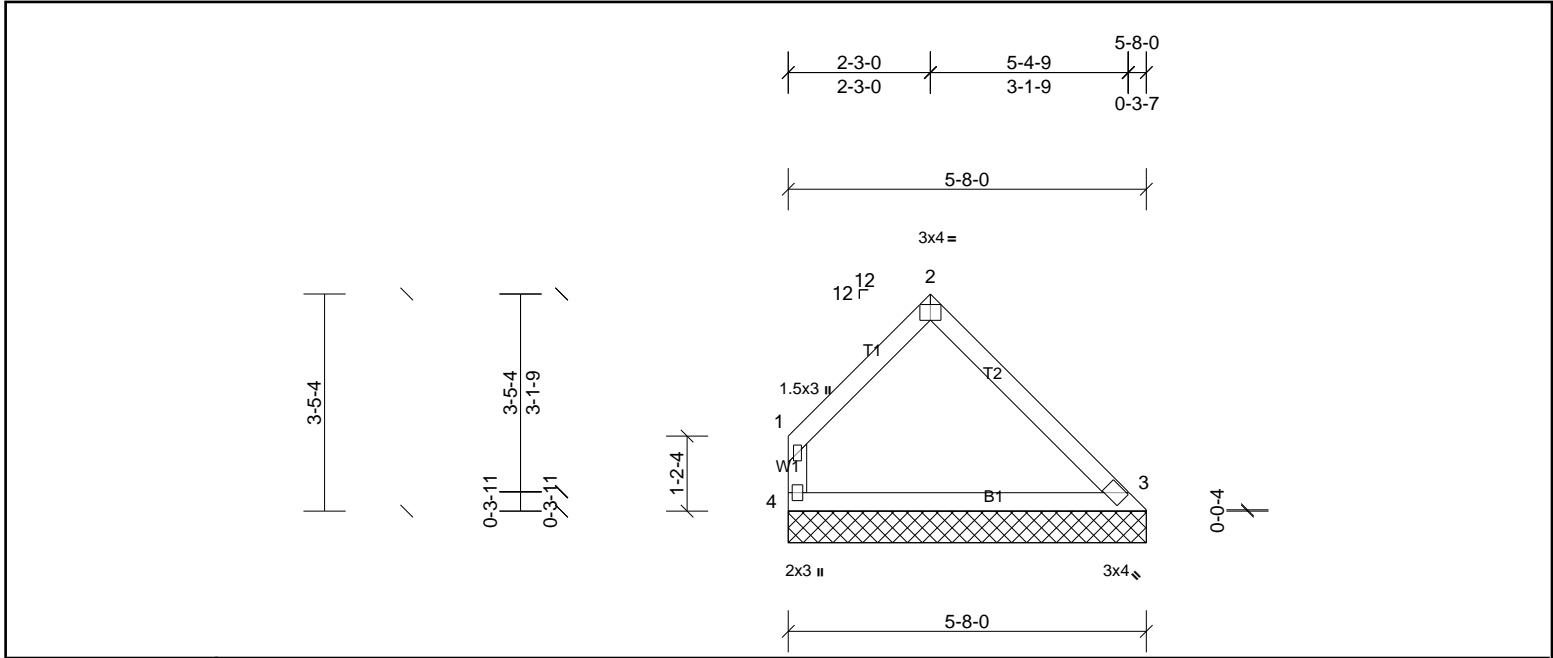


Plate Offsets (X, Y): [2:0-2-0,Edge]

Loading	(psf)	Spacing	2-0-0	CSI	DEFL	in	(loc)	l/defl	L/d	PLATES	GRIP	
TCLL (roof)	20.0	Plate Grip DOL	1.15	TC	0.17	Vert(LL)	n/a	-	n/a	999	MT20	244/190
TCDL	10.0	Lumber DOL	1.15	BC	0.22	Vert(TL)	n/a	-	n/a	999		
BCLL	0.0*	Rep Stress Incr	YES	WB	0.00	Horiz(TL)	0.00	3	n/a	n/a		
BCDL	10.0	Code	IRC2015/TPI2014	Matrix-R							Weight: 21 lb	FT = 20%

LUMBER		BRACING	
TOP CHORD	2x4 SP No.2	TOP CHORD	Structural wood sheathing directly applied or 5-8-4 oc purlins, except end verticals.
BOT CHORD	2x4 SP No.2	BOT CHORD	Rigid ceiling directly applied or 10-0-0 oc bracing.
WEBS	2x4 SP No.3		

**REACTIONS** (lb/size) 3=208/5-8-0, (min. 0-1-8), 4=208/5-8-0, (min. 0-1-8)  
 Max Horiz 4=93 (LC 6)  
 Max Uplift 3=19 (LC 11), 4=30 (LC 11)

**FORCES** (lb) - Max. Comp./Max. Ten. - All forces 250 (lb) or less except when shown.

- NOTES**
- Unbalanced roof live loads have been considered for this design.
  - Wind: ASCE 7-10; Vult=130mph (3-second gust) Vasd=103mph; TCDL=6.0psf; BCDL=6.0psf; h=35ft; Cat. II; Exp B; Enclosed; MWFRS (envelope) exterior zone and C-C Exterior (2) zone; cantilever left and right exposed; end vertical left and right exposed; C-C for members and forces & MWFRS for reactions shown; Lumber DOL=1.60 plate grip DOL=1.60
  - Gable requires continuous bottom chord bearing.
  - This truss has been designed for a 10.0 psf bottom chord live load nonconcurrent with any other live loads.
  - \* This truss has been designed for a live load of 20.0psf on the bottom chord in all areas where a rectangle 3-06-00 tall by 2-00-00 wide will fit between the bottom chord and any other members.
  - Provide mechanical connection (by others) of truss to bearing plate capable of withstanding 30 lb uplift at joint 4 and 19 lb uplift at joint 3.
  - This truss is designed in accordance with the 2015 International Residential Code sections R502.11.1 and R802.10.2 and referenced standard ANSI/TPI 1.



This design is based upon parameters shown, and is for an individual building component to be installed and loaded vertically. Applicability of design parameters and proper incorporation of component is responsibility of the Building Designer. Building Designer shall verify all design information on this sheet for conformance with conditions and requirements of the specific building and governing codes and ordinances. Building Designer accepts responsibility for the correctness or accuracy of the design information as it may relate to a specific building. Certification is valid only when truss is fabricated by a UFPI plant. Bracing shown is for lateral support of truss members only and does not replace erection and permanent bracing. Refer to Building Component Safety Information (BCSI) for general guidance regarding storage, erection and bracing available from SBCA and Truss Plate Institute.



Job 72435958	Truss V6	Truss Type Truss	Qty 1	Ply 1	MUNGO HOMES - TELFAIR B ROOF Job Reference (optional)
-----------------	-------------	---------------------	----------	----------	----------------------------------------------------------

UFP Mid Atlantic LLC, 5631 S. NC 62, Burlington, NC, Chawn Duty

Run: 8.81 S Sep 13 2024 Print: 8.810 S Sep 13 2024 MiTek Industries, Inc. Mon Nov 18 09:09:04

Page: 1

ID:uYCcLLV8S1ZFJt9S\_cvCcJyJ0HB-IKhQ62sb44UffUySdlQOZYjpWsxEpSz4e5QS1Vyl?tz

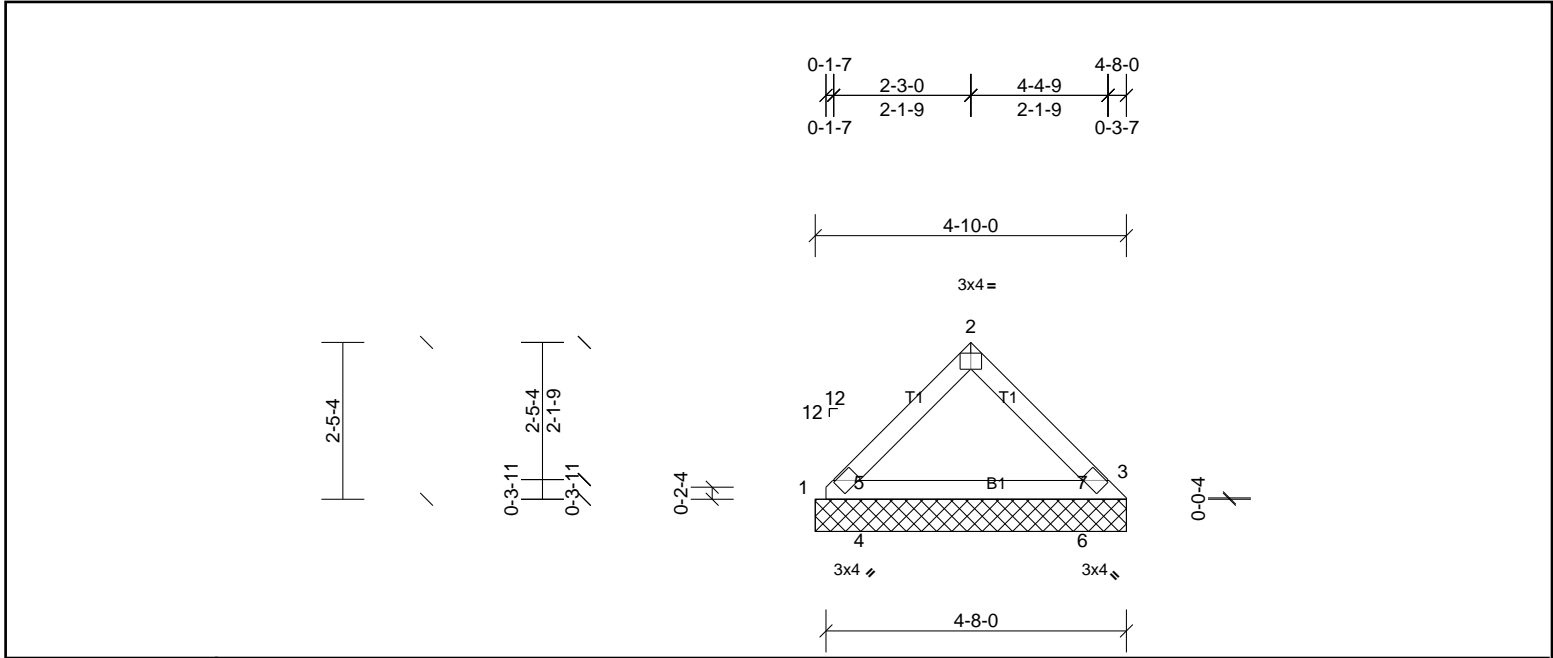


Plate Offsets (X, Y): [2:0-2-0,Edge]

Loading	(psf)	Spacing	2-0-0	CSI	DEFL	in	(loc)	l/defl	L/d	PLATES	GRIP	
TCLL (roof)	20.0	Plate Grip DOL	1.15	TC	0.13	Vert(LL)	n/a	-	n/a	999	MT20	244/190
TCDL	10.0	Lumber DOL	1.15	BC	0.13	Vert(TL)	n/a	-	n/a	999		
BCLL	0.0*	Rep Stress Incr	YES	WB	0.00	Horiz(TL)	0.00	3	n/a	n/a		
BCDL	10.0	Code	IRC2015/TPI2014	Matrix-MP							Weight: 16 lb	FT = 20%

**LUMBER**  
TOP CHORD 2x4 SP No.2  
BOT CHORD 2x4 SP No.2

**BRACING**  
TOP CHORD Structural wood sheathing directly applied or 4-8-0 oc purlins.  
BOT CHORD Rigid ceiling directly applied or 10-0-0 oc bracing.

**REACTIONS**  
(lb/size) 1=180/4-10-0, (min. 0-1-8), 3=180/4-10-0, (min. 0-1-8)  
Max Horiz 1=57 (LC 7)  
Max Uplift 1=-19 (LC 10), 3=-19 (LC 10)

**FORCES**  
(lb) - Max. Comp./Max. Ten. - All forces 250 (lb) or less except when shown.

- NOTES**
- Unbalanced roof live loads have been considered for this design.
  - Wind: ASCE 7-10; Vult=130mph (3-second gust) Vasd=103mph; TCCL=6.0psf; BCDL=6.0psf; h=35ft; Cat. II; Exp B; Enclosed; MWFRS (envelope) exterior zone and C-C Exterior (2) zone; cantilever left and right exposed; end vertical left and right exposed; C-C for members and forces & MWFRS for reactions shown; Lumber DOL=1.60 plate grip DOL=1.60
  - Gable requires continuous bottom chord bearing.
  - This truss has been designed for a 10.0 psf bottom chord live load nonconcurrent with any other live loads.
  - \* This truss has been designed for a live load of 20.0psf on the bottom chord in all areas where a rectangle 3-06-00 tall by 2-00-00 wide will fit between the bottom chord and any other members.
  - Provide mechanical connection (by others) of truss to bearing plate capable of withstanding 19 lb uplift at joint 1 and 19 lb uplift at joint 3.
  - Beveled plate or shim required to provide full bearing surface with truss chord at joint(s) 1.
  - This truss is designed in accordance with the 2015 International Residential Code sections R502.11.1 and R802.10.2 and referenced standard ANSI/TPI 1.



This design is based upon parameters shown, and is for an individual building component to be installed and loaded vertically. Applicability of design parameters and proper incorporation of component is responsibility of the Building Designer. Building Designer shall verify all design information on this sheet for conformance with conditions and requirements of the specific building and governing codes and ordinances. Building Designer accepts responsibility for the correctness or accuracy of the design information as it may relate to a specific building. Certification is valid only when truss is fabricated by a UFPI plant. Bracing shown is for lateral support of truss members only and does not replace erection and permanent bracing. Refer to Building Component Safety Information (BCSI) for general guidance regarding storage, erection and bracing available from SBCA and Truss Plate Institute.





Job 72435958	Truss V7	Truss Type Truss	Qty 1	Ply 1	MUNGO HOMES - TELFAIR B ROOF Job Reference (optional)
-----------------	-------------	---------------------	----------	----------	----------------------------------------------------------

UFP Mid Atlantic LLC, 5631 S. NC 62, Burlington, NC, Chawn Duty

Run: 8.81 S Sep 13 2024 Print: 8.810 S Sep 13 2024 MiTek Industries, Inc. Mon Nov 18 09:09:05

Page: 1

ID:dexosmkBbUqPbZa\_fpCEkyJ0JS-DWFoJOsErOcWHeWfB?xd6IG0RGldYvDDsl9?ZxyI?ty

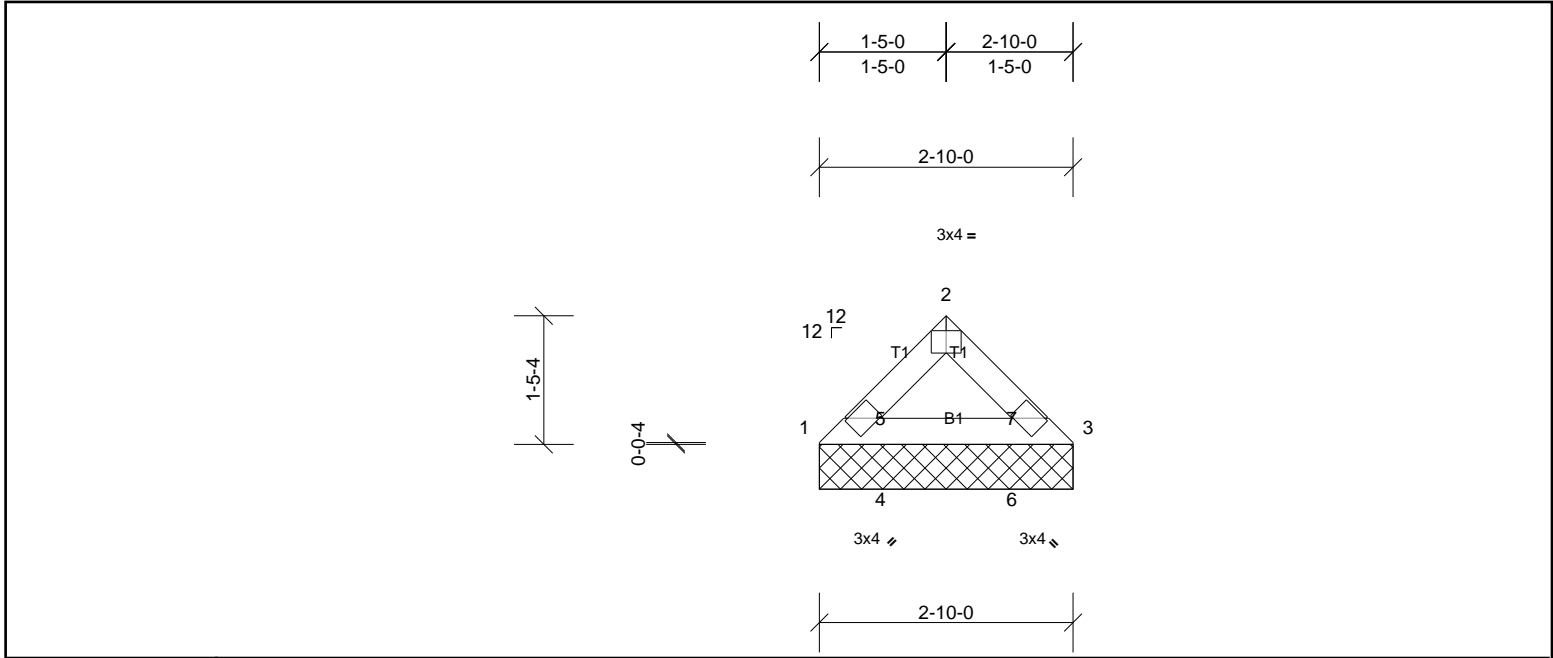


Plate Offsets (X, Y): [2:0-2-0,Edge]

Loading	(psf)	Spacing	2-0-0	CSI	DEFL	in	(loc)	l/defl	L/d	PLATES	GRIP	
TCLL (roof)	20.0	Plate Grip DOL	1.15	TC	0.06	Vert(LL)	n/a	-	n/a	999	MT20	244/190
TCDL	10.0	Lumber DOL	1.15	BC	0.05	Vert(TL)	n/a	-	n/a	999		
BCLL	0.0*	Rep Stress Incr	YES	WB	0.00	Horiz(TL)	0.00	3	n/a	n/a		
BCDL	10.0	Code	IRC2015/TPI2014	Matrix-MP							Weight: 9 lb	FT = 20%

LUMBER		BRACING	
TOP CHORD	2x4 SP No.2	TOP CHORD	Structural wood sheathing directly applied or 2-10-0 oc purlins.
BOT CHORD	2x4 SP No.2	BOT CHORD	Rigid ceiling directly applied or 10-0-0 oc bracing.

REACTIONS	
(lb/size)	1=113/2-10-0, (min. 0-1-8), 3=113/2-10-0, (min. 0-1-8)
Max Horiz	1=-32 (LC 6)
Max Uplift	1=-12 (LC 10), 3=-12 (LC 11)

**FORCES** (lb) - Max. Comp./Max. Ten. - All forces 250 (lb) or less except when shown.

- NOTES**
- Unbalanced roof live loads have been considered for this design.
  - Wind: ASCE 7-10; Vult=130mph (3-second gust) Vasd=103mph; TCCL=6.0psf; BCDL=6.0psf; h=35ft; Cat. II; Exp B; Enclosed; MWFRS (envelope) exterior zone and C-C Exterior (2) zone; cantilever left and right exposed; end vertical left and right exposed; C-C for members and forces & MWFRS for reactions shown; Lumber DOL=1.60 plate grip DOL=1.60
  - Gable requires continuous bottom chord bearing.
  - This truss has been designed for a 10.0 psf bottom chord live load nonconcurrent with any other live loads.
  - \* This truss has been designed for a live load of 20.0psf on the bottom chord in all areas where a rectangle 3-06-00 tall by 2-00-00 wide will fit between the bottom chord and any other members.
  - Provide mechanical connection (by others) of truss to bearing plate capable of withstanding 12 lb uplift at joint 1 and 12 lb uplift at joint 3.
  - This truss is designed in accordance with the 2015 International Residential Code sections R502.11.1 and R802.10.2 and referenced standard ANSI/TPI 1.



This design is based upon parameters shown, and is for an individual building component to be installed and loaded vertically. Applicability of design parameters and proper incorporation of component is responsibility of the Building Designer. Building Designer shall verify all design information on this sheet for conformance with conditions and requirements of the specific building and governing codes and ordinances. Building Designer accepts responsibility for the correctness or accuracy of the design information as it may relate to a specific building. Certification is valid only when truss is fabricated by a UFPI plant. Bracing shown is for lateral support of truss members only and does not replace erection and permanent bracing. Refer to Building Component Safety Information (BCSI) for general guidance regarding storage, erection and bracing available from SBCA and Truss Plate Institute.

