

Job 72500436	Truss A1	Truss Type Truss	Qty 1	Ply 2	MUNGO HOMES - TELFAIR A ROOF Job Reference (optional)
-----------------	-------------	---------------------	----------	----------	--

UFP Mid Atlantic LLC, 5631 S. NC 62, Burlington, NC, Joy Perry

Run: 8.81 S Sep 13 2024 Print: 8.810 S Sep 13 2024 MiTek Industries, Inc. Tue Jan 07 11:49:19

Page: 1

ID:a?q6?71yTv6SHVH?OlZqv2z8gqv-kxPsmOuvXX3yeUkAnOgssX?cbSHQ_aj78Utpczxmdk

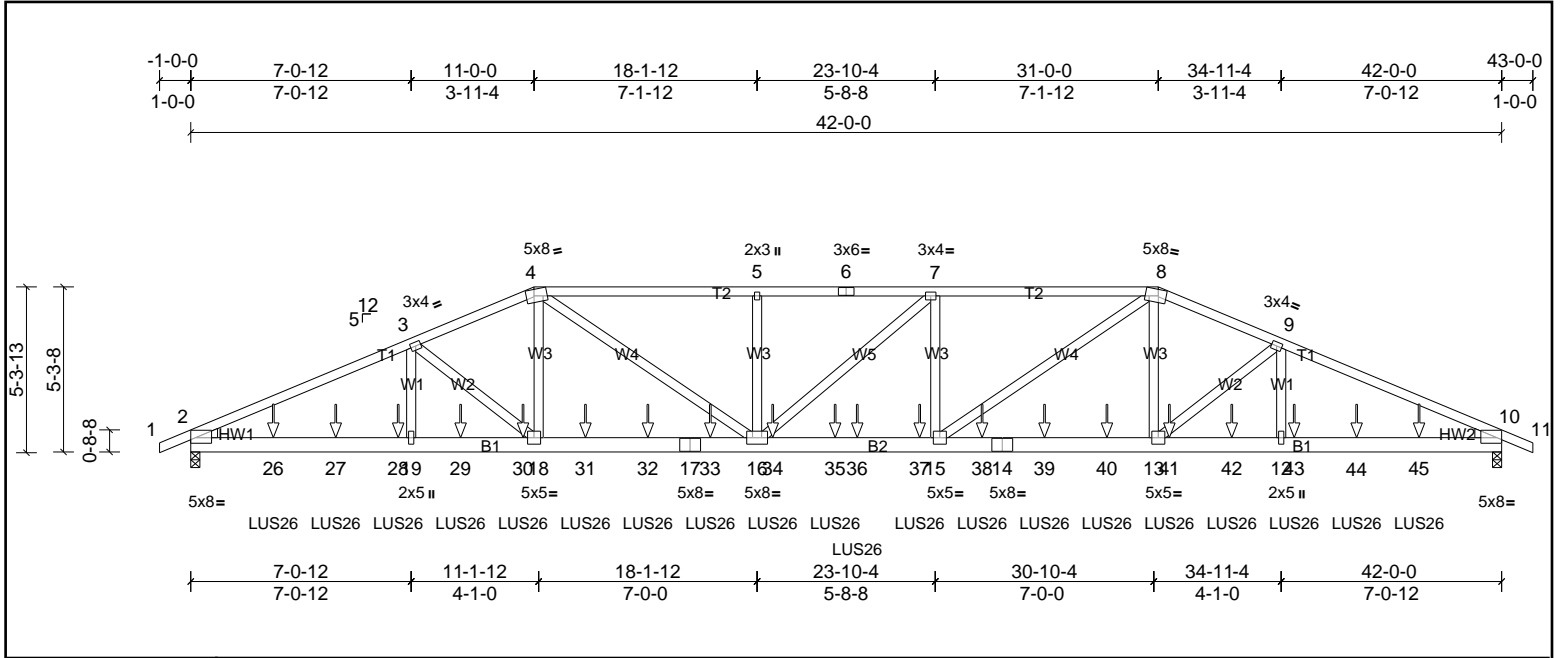


Plate Offsets (X, Y): [2:Edge,0-1-6], [4:0-3-0,0-2-8], [8:0-3-0,0-2-8], [10:Edge,0-1-6]

Loading	(psf)	Spacing	2-0-0	CSI	DEFL	in	(loc)	l/defl	L/d	PLATES	GRIP	
TCLL (roof)	20.0	Plate Grip DOL	1.15	TC	0.99	Vert(LL)	0.41	15-16	>999	240	MT20	244/190
TCDL	10.0	Lumber DOL	1.15	BC	0.76	Vert(CT)	-0.49	15-16	>999	180		
BCLL	0.0*	Rep Stress Incr	NO	WB	0.36	Horz(CT)	0.10	10	n/a	n/a		
BCDL	10.0	Code	IRC2015/TPI2014	Matrix-MSH							Weight: 507 lb	FT = 20%

LUMBER	BRACING
TOP CHORD 2x4 SP No.2 *Except* T2:2x4 SP No.1	TOP CHORD Structural wood sheathing directly applied or 4-1-14 oc purlins, except 2-0-0 oc purlins (4-2-11 max.): 4-8.
BOT CHORD 2x6 SP No.1 *Except* B2:2x6 SP No.2	BOT CHORD Rigid ceiling directly applied or 10-0-0 oc bracing, Except: 9-11-9 oc bracing: 16-18
WEBS 2x4 SP No.3	8-6-13 oc bracing: 15-16.
WEDGE Left: 2x4 SP No.2 Right: 2x4 SP No.2	

REACTIONS

(lb/size) 2=2934/0-3-8, (min. 0-2-5), 10=2934/0-3-8, (min. 0-2-5)
 Max Horiz 2=87 (LC 8)
 Max Uplift 2=-1372 (LC 4), 10=-1372 (LC 5)

FORCES (lb) - Max. Comp./Max. Ten. - All forces 250 (lb) or less except when shown.

TOP CHORD
2-3=-5766/2890, 3-4=-5511/2937, 4-5=-6519/3566, 5-6=-6519/3566, 6-7=-6519/3566, 7-8=-6524/3570, 8-9=-5510/2936, 9-10=-5766/2890

BOT CHORD
2-26=-2602/5258, 26-27=-2602/5258, 27-28=-2602/5258, 19-28=-2602/5258, 19-29=-2602/5258, 29-30=-2602/5258, 18-30=-2602/5258, 18-31=-2611/5193, 31-32=-2611/5193, 17-32=-2611/5193, 17-33=-2611/5193, 16-33=-2611/5193, 16-34=-3434/6608, 34-35=-3434/6608, 35-36=-3434/6608, 36-37=-3434/6608, 15-37=-3434/6608, 15-38=-2594/5125, 14-38=-2594/5125, 14-39=-2594/5125, 39-40=-2594/5125, 13-40=-2594/5125, 13-41=-2582/5227, 41-42=-2582/5227, 12-42=-2582/5227, 12-43=-2582/5227, 43-44=-2582/5227, 44-45=-2582/5227, 10-45=-2582/5227

WEBS
3-18=-353/301, 4-18=-492/886, 4-16=-1013/1822, 5-16=-398/195, 7-15=-454/199, 8-15=-1019/1830, 8-13=-490/882, 9-13=-356/301

- NOTES**
- 2-ply truss to be connected together with 10d (0.131"x3") nails as follows:
Top chords connected as follows: 2x4 - 1 row at 0-9-0 oc.
Bottom chords connected as follows: 2x6 - 2 rows staggered at 0-9-0 oc.
Web connected as follows: 2x4 - 1 row at 0-9-0 oc.
 - All loads are considered equally applied to all plies, except if noted as front (F) or back (B) face in the LOAD CASE(S) section. Ply to ply connections have been provided to distribute only loads noted as (F) or (B), unless otherwise indicated.
 - Unbalanced roof live loads have been considered for this design.
 - Wind: ASCE 7-10; Vult=130mph (3-second gust) Vasd=103mph; TCCLD=6.0psf; BCDL=6.0psf; h=35ft; Cat. II; Exp B; Enclosed; MWFRS (envelope) exterior zone; cantilever left and right exposed; end vertical left and right exposed; Lumber DOL=1.60 plate grip DOL=1.60
 - Provide adequate drainage to prevent water ponding.
 - This truss has been designed for a 10.0 psf bottom chord live load nonconcurrent with any other live loads.
 - * This truss has been designed for a live load of 20.0psf on the bottom chord in all areas where a rectangle 3-06-00 tall by 2-00-00 wide will fit between the bottom chord and any other members.
 - Provide mechanical connection (by others) of truss to bearing plate capable of withstanding 1372 lb uplift at joint 2 and 1372 lb uplift at joint 10.
 - This truss is designed in accordance with the 2015 International Residential Code sections R502.11.1 and R802.10.2 and referenced standard ANSI/TPI 1.
 - Graphical purlin representation does not depict the size or the orientation of the purlin along the top and/or bottom chord.
 - Use Simpson Strong-Tie LUS26 (4-10d Girder, 3-10d Truss, Single Ply Girder) or equivalent spaced at 2-7-12 from the left end to 31-4-4 to connect truss(es) to back face of bottom chord.
 - Use Simpson Strong-Tie LUS26 (4-10d Girder, 3-10d Truss, Single Ply Girder) or equivalent at 16-7-12 from the left end to connect truss(es) to back face of bottom chord, skewed 0.0 deg to the right, sloping 0.0 deg. down.
 - Use Simpson Strong-Tie LUS26 (4-10d Girder, 3-10d Truss, Single Ply Girder) or equivalent spaced at 2-0-0 oc max. starting at 33-4-4 from the left end to 39-4-4 to connect truss(es) to back face of bottom chord.
 - Fill all nail holes where hanger is in contact with lumber.

LOAD CASE(S) Standard

1) Dead + Roof Live (balanced): Lumber Increase=1.15, Plate Increase=1.15
 Uniform Loads (lb/ft)
 Vert: 1-4=-60, 4-8=-60, 8-11=-60, 20-23=-20



This design is based upon parameters shown, and is for an individual building component to be installed and loaded vertically. Applicability of design parameters and proper incorporation of component is responsibility of the Building Designer. Building Designer shall verify all design information on this sheet for conformance with conditions and requirements of the specific building and governing codes and ordinances. Building Designer accepts responsibility for the correctness or accuracy of the design information as it may relate to a specific building. Certification is valid only when truss is fabricated by a UFPI plant. Bracing shown is for lateral support of truss members only and does not replace erection and permanent bracing. Refer to Building Component Safety Information (BCSI) for general guidance regarding storage, erection and bracing available from SBCA and Truss Plate Institute.

Job 72500436	Truss A1	Truss Type Truss	Qty 1	Ply 2	MUNGO HOMES - TELFAIR A ROOF Job Reference (optional)
-----------------	-------------	---------------------	----------	----------	--

UFP Mid Atlantic LLC, 5631 S. NC 62, Burlington, NC, Joy Perry

Run: 8.81 S Sep 13 2024 Print: 8.810 S Sep 13 2024 MiTek Industries, Inc. Tue Jan 07 11:49:19

Page: 2

ID:a?q6?71yTv6SHVH?OlZqv2z8gqv-kxPSmOuvxXX3yeUkAnOgssX?cbSHQ_aj78Utpczxmdk

Concentrated Loads (lb)

Vert: 26=-135 (B), 27=-118 (B), 28=-118 (B), 29=-118 (B), 30=-118 (B), 31=-118 (B), 32=-118 (B), 33=-118 (B), 34=-118 (B), 35=-118 (B), 36=-118 (B), 37=-118 (B), 38=-118 (B), 39=-118 (B), 40=-118 (B), 41=-118 (B), 42=-118 (B), 43=-118 (B), 44=-118 (B), 45=-135 (B)



This design is based upon parameters shown, and is for an individual building component to be installed and loaded vertically. Applicability of design parameters and proper incorporation of component is responsibility of the Building Designer. Building Designer shall verify all design information on this sheet for conformance with conditions and requirements of the specific building and governing codes and ordinances. Building Designer accepts responsibility for the correctness or accuracy of the design information as it may relate to a specific building. Certification is valid only when truss is fabricated by a UFPI plant. Bracing shown is for lateral support of truss members only and does not replace erection and permanent bracing. Refer to Building Component Safety Information (BCSI) for general guidance regarding storage, erection and bracing available from SBCA and Truss Plate Institute.



Job 72500436	Truss A2	Truss Type Truss	Qty 1	Ply 1	MUNGO HOMES - TELFAIR A ROOF Job Reference (optional)
-----------------	-------------	---------------------	----------	----------	--

UFP Mid Atlantic LLC, 5631 S. NC 62, Burlington, NC, Joy Perry

Run: 8.81 S Sep 13 2024 Print: 8.810 S Sep 13 2024 MiTek Industries, Inc. Tue Jan 07 11:49:20

Page: 1

ID:a?q6?71yTv6SHVH?OIzqv2z8gqv-C7zqkvYirfvZo3xjUvvpP34Bz_nx9RdSLoDQL2zxmdj

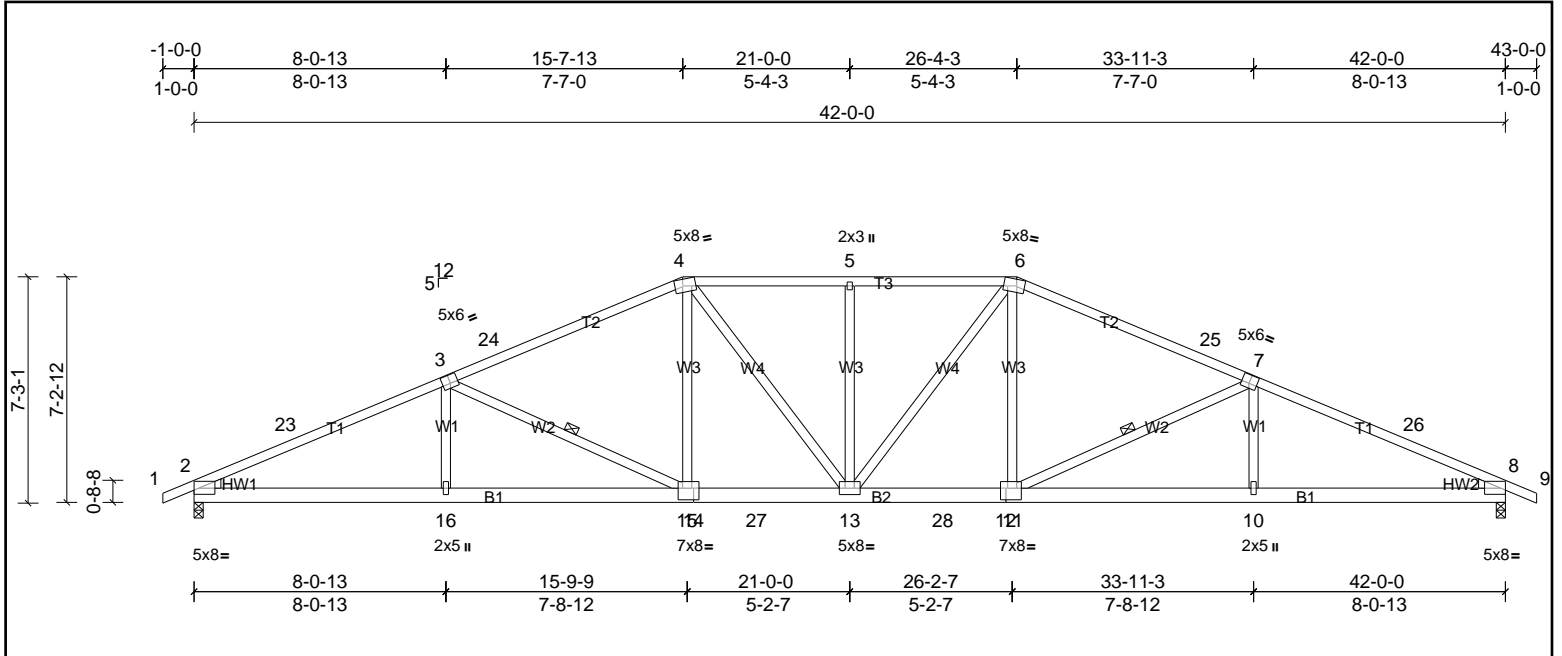


Plate Offsets (X, Y): [2:Edge,0-1-10], [3:0-3-0,0-3-4], [4:0-3-0,0-2-8], [6:0-3-0,0-2-8], [7:0-3-0,0-3-4], [8:Edge,0-1-10], [11:0-1-12,0-4-8], [14:0-1-12,0-4-8]

Loading	(psf)	Spacing	2-0-0	CSI	DEFL	in	(loc)	l/defl	L/d	PLATES	GRIP	
TCLL (roof)	20.0	Plate Grip DOL	1.15	TC	0.95	Vert(LL)	-0.20	13	>999	240	MT20	244/190
TCDL	10.0	Lumber DOL	1.15	BC	0.80	Vert(CT)	-0.40	13	>999	180		
BCLL	0.0*	Rep Stress Incr	YES	WB	0.31	Horz(CT)	0.11	8	n/a	n/a		
BCDL	10.0	Code	IRC2015/TPI2014	Matrix-MSH							Weight: 257 lb	FT = 20%

LUMBER	BRACING
TOP CHORD 2x4 SP No.1 *Except* T3:2x4 SP No.2	TOP CHORD Structural wood sheathing directly applied, except 2-0-0 oc purlins (3-4-5 max.): 4-6.
BOT CHORD 2x6 SP No.1 *Except* B2:2x6 SP No.2	BOT CHORD Rigid ceiling directly applied or 10-0-0 oc bracing.
WEBS 2x4 SP No.3	WEBS 1 Row at midpt 3-15, 7-11
WEDGE Left: 2x4 SP No.2 Right: 2x4 SP No.2	

REACTIONS	(lb/size)
	2=1740/0-3-8, (min. 0-2-12), 8=1740/0-3-8, (min. 0-2-12)
	Max Horiz 2=121 (LC 10)
	Max Uplift 2=-213 (LC 10), 8=-213 (LC 11)

FORCES	(lb) - Max. Comp./Max. Ten. - All forces 250 (lb) or less except when shown.
TOP CHORD	2-23=-3352/638, 3-23=-3254/671, 3-24=-2731/610, 4-24=-2635/641, 4-5=-2586/674, 5-6=-2586/674, 6-25=-2635/641, 7-25=-2731/610, 7-26=-3254/671, 8-26=-3352/638
BOT CHORD	2-16=-505/3004, 15-16=-507/3003, 14-15=-354/2441, 14-27=-354/2441, 13-27=-354/2441, 13-28=-354/2441, 12-28=-354/2441, 11-12=-354/2441, 10-11=-507/3003, 8-10=-505/3004
WEBS	3-15=-659/256, 4-15=-32/516, 4-13=-77/402, 5-13=-344/164, 6-13=-77/402, 6-11=-32/516, 7-11=-659/256

- NOTES**
- Unbalanced roof live loads have been considered for this design.
 - Wind: ASCE 7-10; Vult=130mph (3-second gust) Vasd=103mph; TCCL=6.0psf; BCDL=6.0psf; h=35ft; Cat. II; Exp B; Enclosed; MWFRS (envelope) exterior zone and C-C Exterior (2) -1-0-0 to 3-2-6, Interior (1) 3-2-6 to 9-8-8, Exterior (2) 9-8-8 to 32-3-8, Interior (1) 32-3-8 to 38-9-10, Exterior (2) 38-9-10 to 43-0-0 zone; cantilever left and right exposed; end vertical left and right exposed; C-C for members and forces & MWFRS for reactions shown; Lumber DOL=1.60 plate grip DOL=1.60
 - Provide adequate drainage to prevent water ponding.
 - This truss has been designed for a 10.0 psf bottom chord live load nonconcurrent with any other live loads.
 - * This truss has been designed for a live load of 20.0psf on the bottom chord in all areas where a rectangle 3-06-00 tall by 2-00-00 wide will fit between the bottom chord and any other members, with BCDL = 10.0psf.
 - Provide mechanical connection (by others) of truss to bearing plate capable of withstanding 213 lb uplift at joint 2 and 213 lb uplift at joint 8.
 - This truss is designed in accordance with the 2015 International Residential Code sections R502.11.1 and R802.10.2 and referenced standard ANSI/TPI 1.
 - Graphical purlin representation does not depict the size or the orientation of the purlin along the top and/or bottom chord.



This design is based upon parameters shown, and is for an individual building component to be installed and loaded vertically. Applicability of design parameters and proper incorporation of component is responsibility of the Building Designer. Building Designer shall verify all design information on this sheet for conformance with conditions and requirements of the specific building and governing codes and ordinances. Building Designer accepts responsibility for the correctness or accuracy of the design information as it may relate to a specific building. Certification is valid only when truss is fabricated by a UFPI plant. Bracing shown is for lateral support of truss members only and does not replace erection and permanent bracing. Refer to Building Component Safety Information (BCSI) for general guidance regarding storage, erection and bracing available from SBCA and Truss Plate Institute.



Job 72500436	Truss A3	Truss Type Truss	Qty 1	Ply 1	MUNGO HOMES - TELFAIR A ROOF Job Reference (optional)
-----------------	-------------	---------------------	----------	----------	--

UFP Mid Atlantic LLC, 5631 S. NC 62, Burlington, NC, Joy Perry

Run: 8.81 S Sep 13 2024 Print: 8.810 S Sep 13 2024 MiTek Industries, Inc. Tue Jan 07 11:49:20

Page: 1

ID:a?q6?71yTv6SHVH?OlZqv2z8gqv-C7zqzkvYirfvZo3xjUvvP34B2_mM9QzSLoDQL2zxmdj

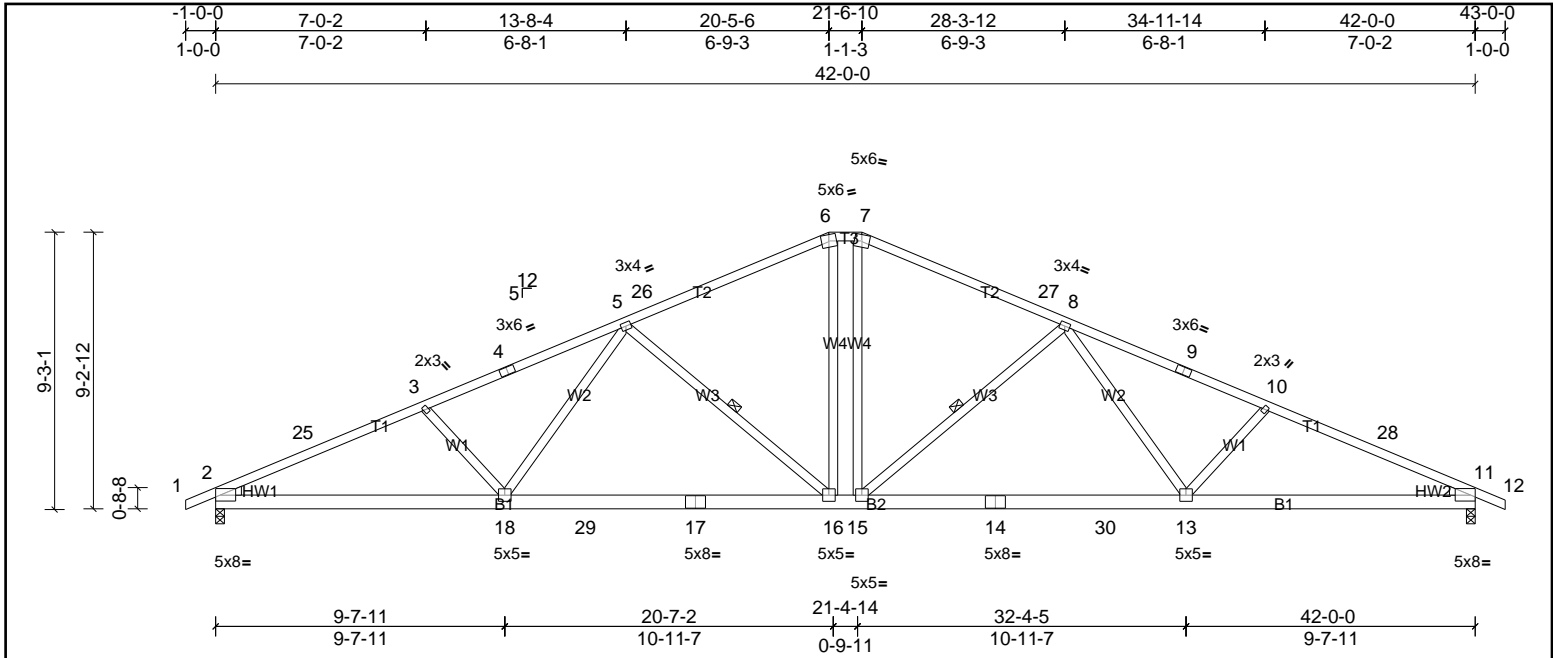


Plate Offsets (X, Y): [2:Edge,0-1-10], [11:Edge,0-1-10]

Loading	(psf)	Spacing	2-0-0	CSI	DEFL	in	(loc)	l/defl	L/d	PLATES	GRIP	
TCLL (roof)	20.0	Plate Grip DOL	1.15	TC	0.95	Vert(LL)	-0.28	13-15	>999	240	MT20	244/190
TCDL	10.0	Lumber DOL	1.15	BC	0.83	Vert(CT)	-0.56	13-15	>897	180		
BCLL	0.0*	Rep Stress Incr	YES	WB	0.35	Horz(CT)	0.11	11	n/a	n/a		
BCDL	10.0	Code	IRC2015/TPI2014	Matrix-MSH							Weight: 255 lb	FT = 20%

LUMBER	BRACING
TOP CHORD 2x4 SP No.2	TOP CHORD Structural wood sheathing directly applied, except 2-0-0 oc purlins (3-10-5 max.): 6-7.
BOT CHORD 2x6 SP No.1 *Except* B2:2x6 SP No.2	BOT CHORD Rigid ceiling directly applied or 10-0-0 oc bracing.
WEBS 2x4 SP No.3	WEBS 1 Row at midpt
WEDGE Left: 2x4 SP No.2 Right: 2x4 SP No.2	

REACTIONS
(lb/size) 2=1740/0-3-8, (min. 0-2-12), 11=1740/0-3-8, (min. 0-2-12)
Max Horiz 2=156 (LC 11)
Max Uplift 2=254 (LC 10), 11=254 (LC 11)

FORCES (lb) - Max. Comp./Max. Ten. - All forces 250 (lb) or less except when shown.
TOP CHORD 2-25=-3398/548, 3-25=-3307/576, 3-4=-3137/542, 4-5=-3066/560, 5-26=-2276/492, 6-26=-2187/520, 6-7=-2028/526, 7-27=-2187/520, 8-27=-2276/492, 8-9=-3066/560, 9-10=-3137/542, 10-28=-3307/576, 11-28=-3398/548
BOT CHORD 2-18=-505/3052, 18-29=-341/2579, 17-29=-341/2579, 16-17=-341/2579, 15-16=-177/2028, 14-15=-341/2579, 14-30=-341/2579, 13-30=-341/2579, 11-13=-423/3052
WEBS 3-18=-349/223, 5-18=-47/527, 5-16=-775/298, 6-16=-97/645, 7-15=-97/645, 8-15=-775/298, 8-13=-48/527, 10-13=-349/223

- NOTES**
- Unbalanced roof live loads have been considered for this design.
 - Wind: ASCE 7-10; Vult=130mph (3-second gust) Vasd=103mph; TCDL=6.0psf; BCDL=6.0psf; h=35ft; Cat. II; Exp B; Enclosed; MWFRS (envelope) exterior zone and C-C Exterior (2) -1-0-0 to 3-2-6, Interior (1) 3-2-6 to 14-6-2, Exterior (2) 14-6-2 to 27-5-14, Interior (1) 27-5-14 to 38-9-10, Exterior (2) 38-9-10 to 43-0-0 zone; cantilever left and right exposed; end vertical left and right exposed; C-C for members and forces & MWFRS for reactions shown; Lumber DOL=1.60 plate grip DOL=1.60
 - Provide adequate drainage to prevent water ponding.
 - This truss has been designed for a 10.0 psf bottom chord live load nonconcurrent with any other live loads.
 - * This truss has been designed for a live load of 20.0psf on the bottom chord in all areas where a rectangle 3-06-00 tall by 2-00-00 wide will fit between the bottom chord and any other members, with BCDL = 10.0psf.
 - Provide mechanical connection (by others) of truss to bearing plate capable of withstanding 254 lb uplift at joint 2 and 254 lb uplift at joint 11.
 - This truss is designed in accordance with the 2015 International Residential Code sections R502.11.1 and R802.10.2 and referenced standard ANSI/TPI 1.
 - Graphical purlin representation does not depict the size or the orientation of the purlin along the top and/or bottom chord.



This design is based upon parameters shown, and is for an individual building component to be installed and loaded vertically. Applicability of design parameters and proper incorporation of component is responsibility of the Building Designer. Building Designer shall verify all design information on this sheet for conformance with conditions and requirements of the specific building and governing codes and ordinances. Building Designer accepts responsibility for the correctness or accuracy of the design information as it may relate to a specific building. Certification is valid only when truss is fabricated by a UFPI plant. Bracing shown is for lateral support of truss members only and does not replace erection and permanent bracing. Refer to Building Component Safety Information (BCSI) for general guidance regarding storage, erection and bracing available from SBCA and Truss Plate Institute.



Job 72500436	Truss A4	Truss Type Truss	Qty 4	Ply 1	MUNGO HOMES - TELFAIR A ROOF Job Reference (optional)
-----------------	-------------	---------------------	----------	----------	--

UFP Mid Atlantic LLC, 5631 S. NC 62, Burlington, NC, Joy Perry

Run: 8.81 S Sep 13 2024 Print: 8.810 S Sep 13 2024 MiTek Industries, Inc. Tue Jan 07 11:49:20

Page: 1

ID:a?q6?71yTv6SHVH?OIzqv2z8gqv-C7zqkvYirfvZo3xjUvvpP34Ah_nP9KQSLoDQL2zxmjdj

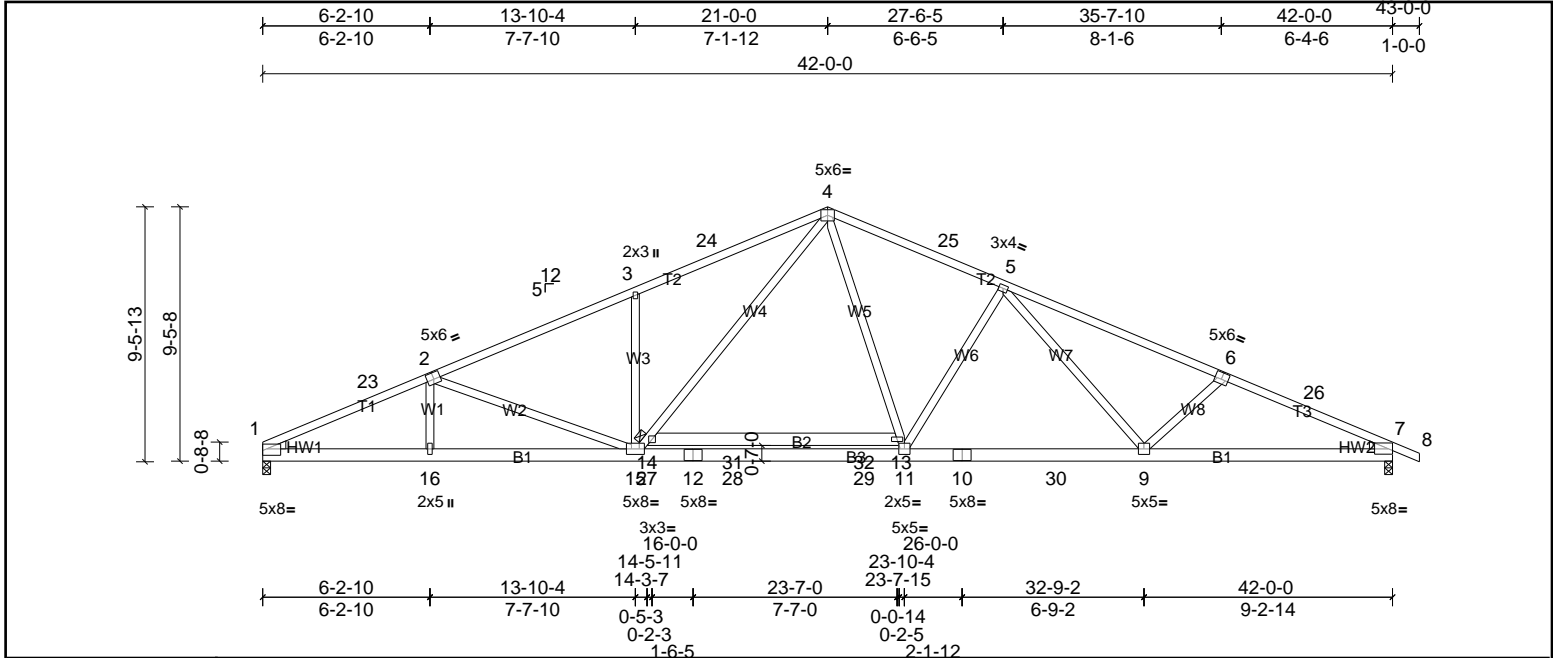


Plate Offsets (X, Y): [2:0-3-0,0-3-0], [6:0-3-0,0-3-0], [7:Edge,0-1-10]

Loading	(psf)	Spacing	2-0-0	CSI	DEFL	in	(loc)	l/defl	L/d	PLATES	GRIP	
TCLL (roof)	20.0	Plate Grip DOL	1.15	TC	0.97	Vert(LL)	-0.35	13-14	>999	240	MT20	244/190
TCDL	10.0	Lumber DOL	1.15	BC	0.83	Vert(CT)	-0.70	13-14	>718	180		
BCLL	0.0*	Rep Stress Incr	YES	WB	0.70	Horz(CT)	0.11	7	n/a	n/a		
BCDL	10.0	Code	IRC2015/TPI2014	Matrix-MSH							Weight: 274 lb	FT = 20%

LUMBER
TOP CHORD 2x4 SP No.1 *Except* T1,T3;2x4 SP No.2
BOT CHORD 2x6 SP SS *Except* B3,B2;2x6 SP No.2
WEBS 2x4 SP No.3 *Except* W5;2x4 SP No.2
WEDGE Left: 2x4 SP No.2
Right: 2x4 SP No.2

BRACING
TOP CHORD Structural wood sheathing directly applied.
BOT CHORD Rigid ceiling directly applied or 10-0-0 oc bracing, Except:
6-0-0 oc bracing: 13-14.

REACTIONS
(lb/size) 1=1783/0-3-8, (min. 0-2-13), 7=1826/0-3-8, (min. 0-2-14)
Max Horiz 1=-167 (LC 11)
Max Uplift 1=-173 (LC 10), 7=-207 (LC 11)

FORCES
(lb) - Max. Comp./Max. Ten. - All forces 250 (lb) or less except when shown.
TOP CHORD 1-23=-3597/363, 2-23=-3480/378, 2-3=-3302/340, 3-24=-3314/438, 4-24=-3236/458, 4-25=-2796/380, 5-25=-2869/353, 5-6=-3441/385, 6-26=-3572/417, 7-26=-3678/391
BOT CHORD 1-16=-384/3249, 15-16=-387/3251, 15-27=-16/2356, 12-27=-16/2356, 12-28=-16/2356, 28-29=-16/2356, 11-29=-16/2356, 10-11=-150/2863, 10-30=-150/2863, 9-30=-150/2863, 7-9=-285/3331
WEBS 3-15=-492/286, 14-15=-310/1118, 4-14=-249/1237, 4-13=-102/1141, 11-13=-161/933, 5-11=-679/304, 5-9=-77/459, 6-9=-400/256, 2-15=-458/216

- NOTES**
- Unbalanced roof live loads have been considered for this design.
 - Wind: ASCE 7-10; Vult=130mph (3-second gust) Vasd=103mph; TCCL=6.0psf; BCDL=6.0psf; h=35ft; Cat. II; Exp B; Enclosed; MWFRS (envelope) exterior zone and C-C Exterior (2) 0-0-0 to 4-2-6, Interior (1) 4-2-6 to 16-9-10, Exterior (2) 16-9-10 to 25-2-6, Interior (1) 25-2-6 to 38-9-10, Exterior (2) 38-9-10 to 43-0-0 zone; cantilever left and right exposed; end vertical left and right exposed; C-C for members and forces & MWFRS for reactions shown; Lumber DOL=1.60 plate grip DOL=1.60
 - This truss has been designed for a 10.0 psf bottom chord live load nonconcurrent with any other live loads.
 - * This truss has been designed for a live load of 20.0psf on the bottom chord in all areas where a rectangle 3-06-00 tall by 2-00-00 wide will fit between the bottom chord and any other members, with BCDL = 10.0psf.
 - Provide mechanical connection (by others) of truss to bearing plate capable of withstanding 173 lb uplift at joint 1 and 207 lb uplift at joint 7.
 - This truss is designed in accordance with the 2015 International Residential Code sections R502.11.1 and R802.10.2 and referenced standard ANSI/TPI 1.



This design is based upon parameters shown, and is for an individual building component to be installed and loaded vertically. Applicability of design parameters and proper incorporation of component is responsibility of the Building Designer. Building Designer shall verify all design information on this sheet for conformance with conditions and requirements of the specific building and governing codes and ordinances. Building Designer accepts responsibility for the correctness or accuracy of the design information as it may relate to a specific building. Certification is valid only when truss is fabricated by a UFPI plant. Bracing shown is for lateral support of truss members only and does not replace erection and permanent bracing. Refer to Building Component Safety Information (BCSI) for general guidance regarding storage, erection and bracing available from SBCA and Truss Plate Institute.



Job 72500436	Truss A4S	Truss Type Truss	Qty 1	Ply 1	MUNGO HOMES - TELFAIR A ROOF Job Reference (optional)
-----------------	--------------	---------------------	----------	----------	--

UFP Mid Atlantic LLC, 5631 S. NC 62, Burlington, NC, Joy Perry

Run: 8.81 S Sep 13 2024 Print: 8.810 S Sep 13 2024 MiTek Industries, Inc. Tue Jan 07 11:49:21

Page: 1

ID:a?g6?771yTv6SHVH?OIZqv2z8gqv-gKXDB4vAS9omBye7HCQ8xHdRLO83ukLcaSz_tUzxmidi

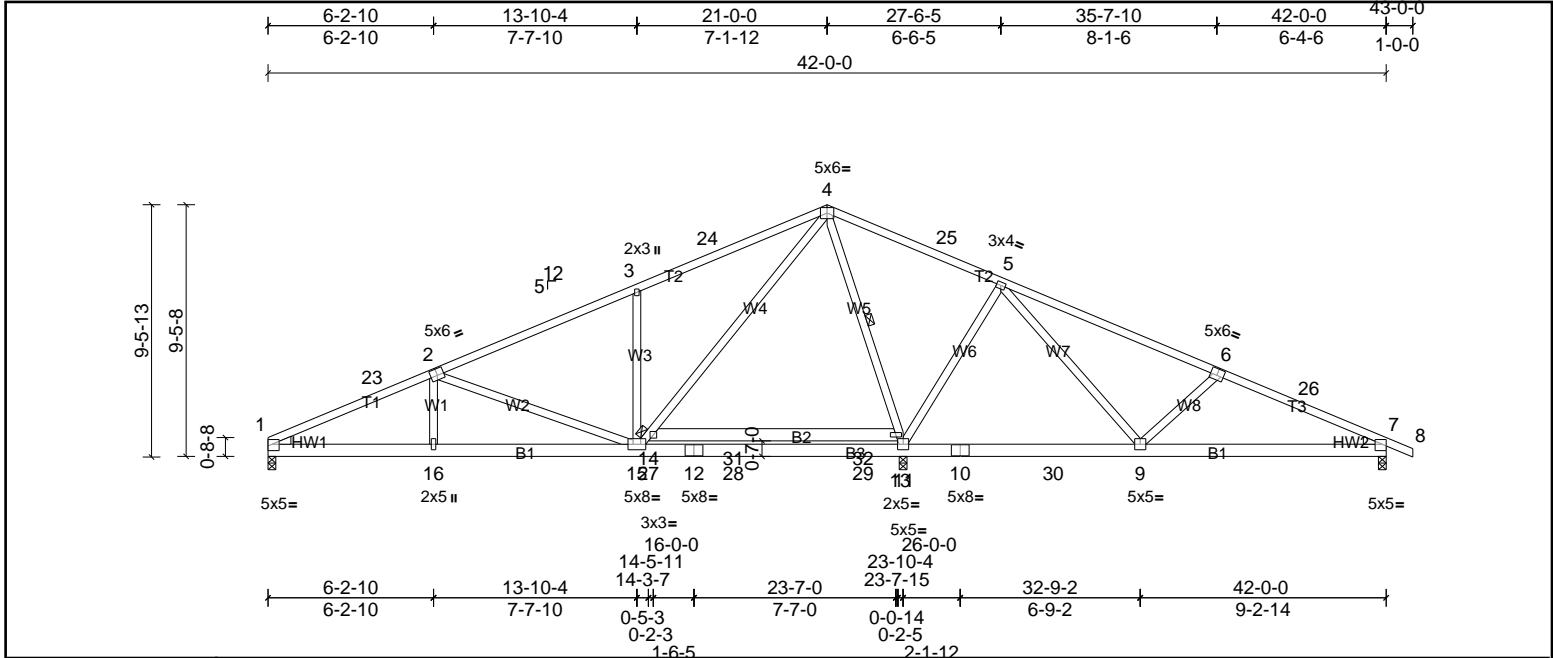


Plate Offsets (X, Y): [2:0-3-0,0-3-0], [6:0-3-0,0-3-0]

Loading	(psf)	Spacing	2-0-0	CSI	DEFL	in	(loc)	l/defl	L/d	PLATES	GRIP	
TCLL (roof)	20.0	Plate Grip DOL	1.15	TC	0.59	Vert(LL)	-0.18	13-14	>999	240	MT20	244/190
TCDL	10.0	Lumber DOL	1.15	BC	0.74	Vert(CT)	-0.33	13-14	>860	180		
BCLL	0.0*	Rep Stress Incr	YES	WB	0.92	Horz(CT)	0.01	11	n/a	n/a		
BCDL	10.0	Code	IRC2015/TPI2014	Matrix-MSH							Weight: 274 lb	FT = 20%

LUMBER		BRACING	
TOP CHORD	2x4 SP No.1 *Except* T1,T3;2x4 SP No.2	TOP CHORD	Structural wood sheathing directly applied or 4-7-12 oc purlins.
BOT CHORD	2x6 SP SS *Except* B3,B2;2x6 SP No.2	BOT CHORD	Rigid ceiling directly applied or 6-0-0 oc bracing.
WEBS	2x4 SP No.3 *Except* W5;2x4 SP No.2	WEBS	1 Row at midpt
WEDGE	Left: 2x4 SP No.2 Right: 2x4 SP No.2		4-13
REACTIONS	(lb/size)		
	1=757/0-3-8, (min. 0-1-8), 7=478/0-3-8, (min. 0-1-8), 11=2375/0-3-8, (min. 0-2-15)		
	Max Horiz 1=-167 (LC 11)		
	Max Uplift 1=-118 (LC 10), 7=-130 (LC 11), 11=-135 (LC 11)		
	Max Grav 1=808 (LC 21), 7=555 (LC 22), 11=2475 (LC 2)		
FORCES	(lb) - Max. Comp./Max. Ten. - All forces 250 (lb) or less except when shown.		
TOP CHORD	1-23=-1428/190, 2-23=-1301/205, 2-3=-787/104, 3-24=-801/218, 4-24=-706/247, 4-25=0/825, 5-25=-6/689, 5-6=-375/152, 6-26=-558/213, 7-26=-686/197		
BOT CHORD	1-16=-270/1255, 15-16=-272/1252, 15-27=-248/291, 12-27=-248/291, 12-28=-248/291, 28-29=-248/291, 11-29=-248/291, 10-11=-354/143, 10-30=-354/143, 9-30=-354/143, 7-9=-118/577		
WEBS	3-15=-487/286, 14-15=-316/1197, 4-14=-252/1283, 4-13=-1495/234, 11-13=-1583/171, 5-11=-758/310, 5-9=-90/658, 6-9=-453/260, 2-15=-661/230		

- NOTES**
- Unbalanced roof live loads have been considered for this design.
 - Wind: ASCE 7-10; Vult=130mph (3-second gust) Vasd=103mph; TCCL=6.0psf; BCDL=6.0psf; h=35ft; Cat. II; Exp B; Enclosed; MWFRS (envelope) exterior zone and C-C Exterior (2) 0-0-0 to 4-2-6, Interior (1) 4-2-6 to 16-9-10, Exterior (2) 16-9-10 to 25-2-6, Interior (1) 25-2-6 to 38-9-10, Exterior (2) 38-9-10 to 43-0-0 zone; cantilever left and right exposed; end vertical left and right exposed; C-C for members and forces & MWFRS for reactions shown; Lumber DOL=1.60 plate grip DOL=1.60
 - This truss has been designed for a 10.0 psf bottom chord live load nonconcurrent with any other live loads.
 - * This truss has been designed for a live load of 20.0psf on the bottom chord in all areas where a rectangle 3-06-00 tall by 2-00-00 wide will fit between the bottom chord and any other members, with BCDL = 10.0psf.
 - Provide mechanical connection (by others) of truss to bearing plate capable of withstanding 118 lb uplift at joint 1, 135 lb uplift at joint 11 and 130 lb uplift at joint 7.
 - This truss is designed in accordance with the 2015 International Residential Code sections R502.11.1 and R802.10.2 and referenced standard ANSI/TPI 1.



This design is based upon parameters shown, and is for an individual building component to be installed and loaded vertically. Applicability of design parameters and proper incorporation of component is responsibility of the Building Designer. Building Designer shall verify all design information on this sheet for conformance with conditions and requirements of the specific building and governing codes and ordinances. Building Designer accepts responsibility for the correctness or accuracy of the design information as it may relate to a specific building. Certification is valid only when truss is fabricated by a UFPI plant. Bracing shown is for lateral support of truss members only and does not replace erection and permanent bracing. Refer to Building Component Safety Information (BCSI) for general guidance regarding storage, erection and bracing available from SBCA and Truss Plate Institute.



Job 72500436	Truss A4ST	Truss Type Truss	Qty 3	Ply 1	MUNGO HOMES - TELFAIR A ROOF Job Reference (optional)
-----------------	---------------	---------------------	----------	----------	--

UFP Mid Atlantic LLC, 5631 S. NC 62, Burlington, NC, Joy Perry

Run: 8.81 S Sep 13 2024 Print: 8.810 S Sep 13 2024 MiTek Industries, Inc. Tue Jan 07 11:49:21

Page: 1

ID:a?q6?71yTv6SHVH?OIzqv2z8gqv-gKXDB4vAS9omBye7HCQ8xHdQMO6XujAcaSz_tUzxmDI

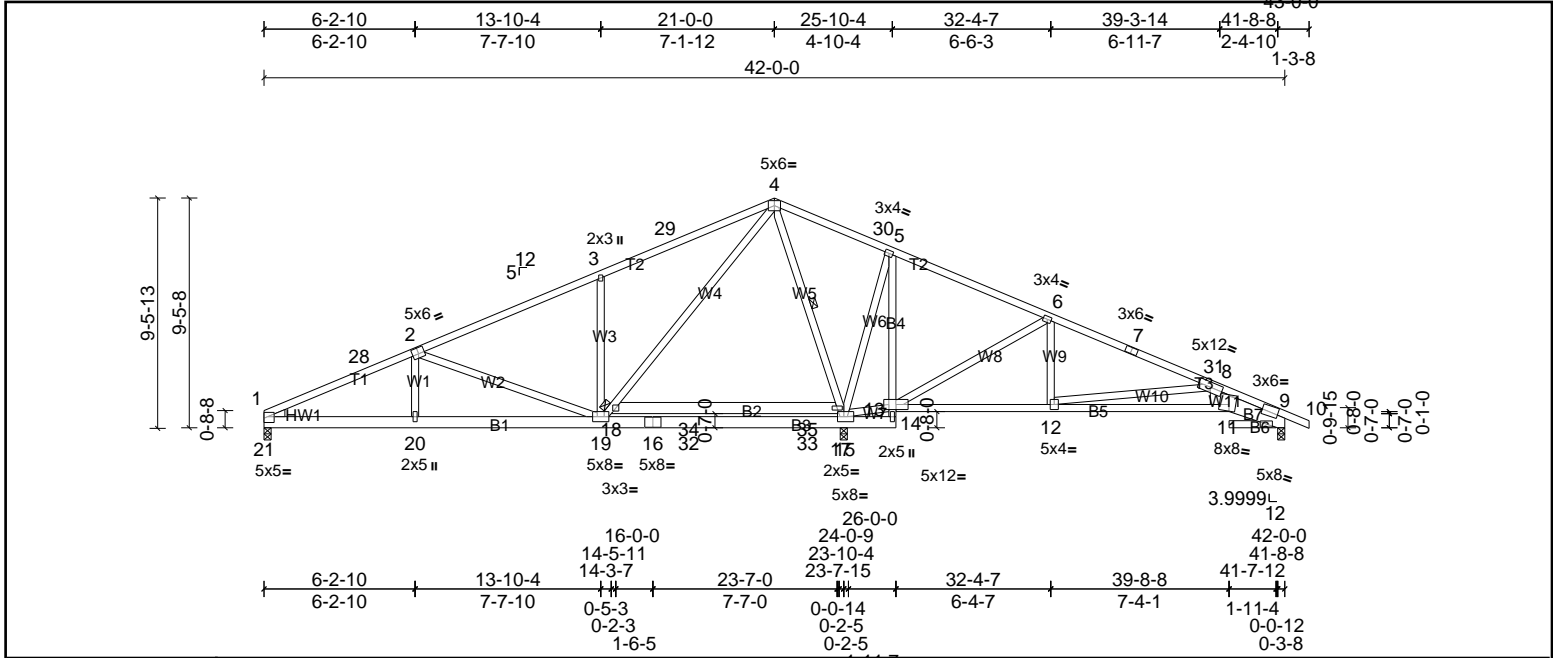


Plate Offsets (X, Y): [2:0-3-0,0-3-0], [9:0-3-15,0-1-7], [11:0-3-4,0-3-4]

Loading	(psf)	Spacing	2-3-0	CSI	DEFLL	in	(loc)	l/defl	L/d	PLATES	GRIP	
TCLL (roof)	20.0	Plate Grip DOL	1.15	TC	0.66	Vert(LL)	-0.20	17-18	>999	240	MT20	244/190
TCDL	10.0	Lumber DOL	1.15	BC	0.84	Vert(CT)	-0.37	17-18	>778	180		
BCLL	0.0*	Rep Stress Incr	NO	WB	0.99	Horz(CT)	0.03	9	n/a	n/a		
BCDL	10.0	Code	IRC2015/TPI2014	Matrix-MSH							Weight: 290 lb	FT = 20%

LUMBER	BRACING
TOP CHORD 2x4 SP No.1 *Except* T1,T3:2x4 SP No.2	TOP CHORD 2-0-0 oc purlins (4-5-3 max.)
BOT CHORD 2x4 SP No.2 *Except* B1:2x6 SP SS, B3,B2:2x6 SP No.2, B4:2x4 SP No.3, B7:2x8 SP No.2	(Switched from sheeted: Spacing > 2-0-0).
WEBS 2x4 SP No.3 *Except* W5:2x4 SP No.2, W11:2x10 SP No.2	Rigid ceiling directly applied or 6-0-0 oc bracing.
WEDGE Left: 2x4 SP No.2	WEBS 1 Row at midpt 4-17
REACTIONS	
(lb/size) 1=767/0-3-8, (min. 0-1-8), 9=420/0-3-8, (min. 0-1-8), 15=2874/0-3-8, (min. 0-3-6)	
Max Horiz 1=-188 (LC 11)	
Max Uplift 1=-144 (LC 10), 9=-128 (LC 11), 15=-185 (LC 11)	
Max Grav 1=877 (LC 21), 9=489 (LC 22), 15=2874 (LC 1)	
FORCES	
(lb) - Max. Comp./Max. Ten. - All forces 250 (lb) or less except when shown.	
TOP CHORD 1-28=-1536/241, 2-28=-1392/258, 2-3=-807/147, 3-29=-820/275, 4-29=-730/308, 4-30=0/1186, 5-30=0/1072, 5-6=-35/1058, 6-7=-67/301, 7-31=-148/268, 8-9=-1142/224	
BOT CHORD 1-20=-329/1346, 19-20=-332/1343, 16-19=-447/360, 16-32=-447/360, 32-33=-447/360, 15-33=-447/360, 11-12=-286/1108, 13-14=-254/0, 9-11=-207/1136	
WEBS 2-20=0/262, 3-19=-548/322, 18-19=-351/1322, 4-18=-282/1445, 4-17=-1839/227, 15-17=-1954/157, 5-15=-578/245, 6-12=0/440, 2-19=-765/256, 13-15=-775/325, 8-11=0/299, 6-13=-922/256, 8-12=-1045/345	

- NOTES**
- Unbalanced roof live loads have been considered for this design.
 - Wind: ASCE 7-10; Vult=130mph (3-second gust) Vasd=103mph; TCCL=6.0psf; BCDL=6.0psf; h=35ft; Cat. II; Exp B; Enclosed; MWFRS (envelope) exterior zone and C-C Exterior (2) 0-0-0 to 4-2-6, Interior (1) 4-2-6 to 16-9-10, Exterior (2) 16-9-10 to 25-2-6, Interior (1) 25-2-6 to 38-9-10, Exterior (2) 38-9-10 to 43-0-0 zone; cantilever left and right exposed; end vertical left and right exposed; C-C for members and forces & MWFRS for reactions shown; Lumber DOL=1.60 plate grip DOL=1.60
 - This truss has been designed for a 10.0 psf bottom chord live load nonconcurrent with any other live loads.
 - * This truss has been designed for a live load of 20.0psf on the bottom chord in all areas where a rectangle 3-06-00 tall by 2-00-00 wide will fit between the bottom chord and any other members, with BCDL = 10.0psf.
 - Bearing at joint(s) 9 considers parallel to grain value using ANSI/TPI 1 angle to grain formula. Building designer should verify capacity of bearing surface.
 - Provide mechanical connection (by others) of truss to bearing plate capable of withstanding 144 lb uplift at joint 1, 185 lb uplift at joint 15 and 128 lb uplift at joint 9.
 - This truss is designed in accordance with the 2015 International Residential Code sections R502.11.1 and R802.10.2 and referenced standard ANSI/TPI 1.
 - Graphical purlin representation does not depict the size or the orientation of the purlin along the top and/or bottom chord.



This design is based upon parameters shown, and is for an individual building component to be installed and loaded vertically. Applicability of design parameters and proper incorporation of component is responsibility of the Building Designer. Building Designer shall verify all design information on this sheet for conformance with conditions and requirements of the specific building and governing codes and ordinances. Building Designer accepts responsibility for the correctness or accuracy of the design information as it may relate to a specific building. Certification is valid only when truss is fabricated by a UFPI plant. Bracing shown is for lateral support of truss members only and does not replace erection and permanent bracing. Refer to Building Component Safety Information (BCSI) for general guidance regarding storage, erection and bracing available from SBCA and Truss Plate Institute.



Job 72500436	Truss A5	Truss Type Truss	Qty 2	Ply 1	MUNGO HOMES - TELFAIR A ROOF Job Reference (optional)
-----------------	-------------	---------------------	----------	----------	--

UFP Mid Atlantic LLC, 5631 S. NC 62, Burlington, NC, Joy Perry

Run: 8.81 S Sep 13 2024 Print: 8.810 S Sep 13 2024 MiTek Industries, Inc. Tue Jan 07 11:49:21

Page: 1

ID:a?q6?71yTv6SHVH?OIZqvZz8gqv-gKXDB4vAS9omBye7HCQ8xHdLIO4QunfcaSz_tUzxmDI

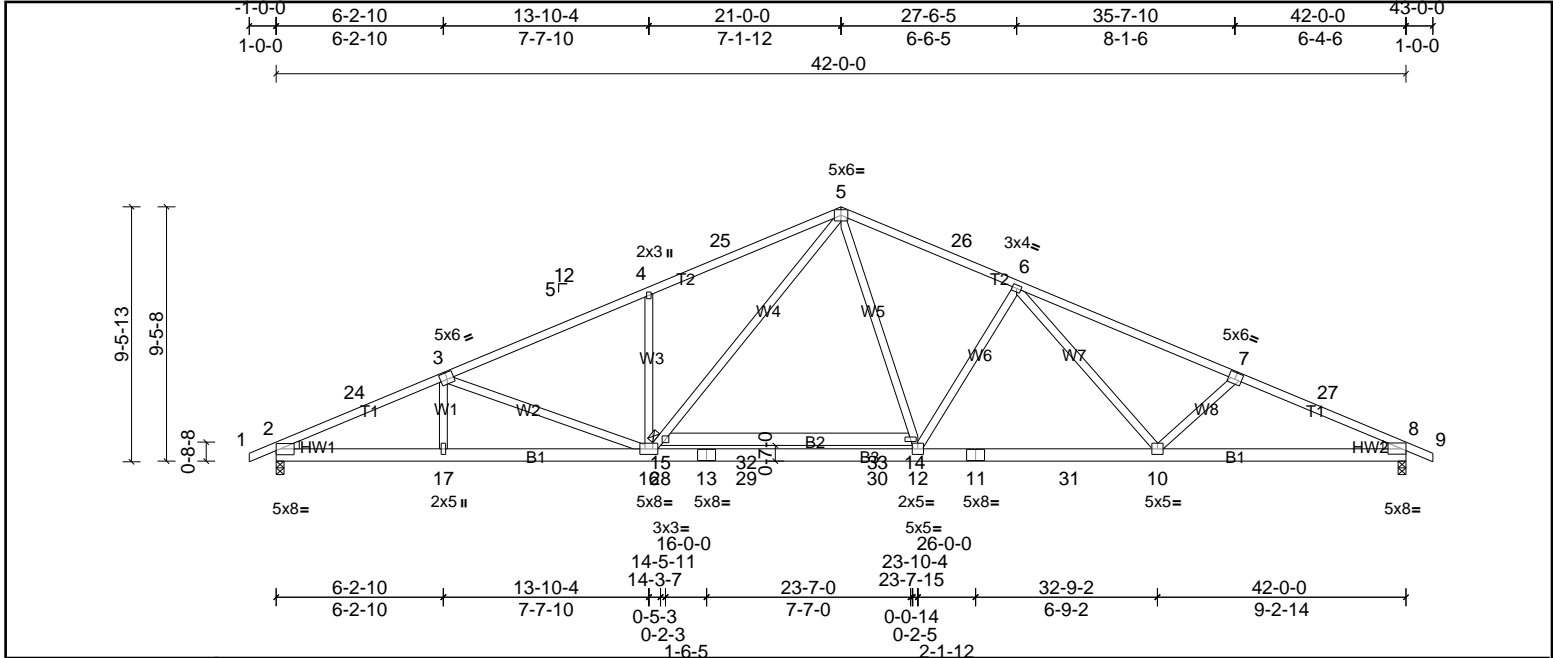


Plate Offsets (X, Y): [2:Edge,0-1-14], [3:0-3-0,0-3-0], [7:0-3-0,0-3-0], [8:Edge,0-1-10]

Loading	(psf)	Spacing	2-0-0	CSI	DEFL	in	(loc)	l/defl	L/d	PLATES	GRIP	
TCLL (roof)	20.0	Plate Grip DOL	1.15	TC	0.98	Vert(LL)	-0.35	14-15	>999	240	MT20	244/190
TCDL	10.0	Lumber DOL	1.15	BC	0.97	Vert(CT)	-0.72	14-15	>702	180		
BCLL	0.0*	Rep Stress Incr	YES	WB	0.71	Horz(CT)	0.13	8	n/a	n/a		
BCDL	10.0	Code	IRC2015/TPI2014	Matrix-MSH							Weight: 276 lb	FT = 20%

LUMBER	BRACING
TOP CHORD 2x4 SP No.1 *Except* T1:2x4 SP No.2	TOP CHORD Structural wood sheathing directly applied.
BOT CHORD 2x6 SP No.1 *Except* B3,B2:2x6 SP No.2	BOT CHORD Rigid ceiling directly applied or 2-2-0 oc bracing.
WEBS 2x4 SP No.3	
WEDGE Left: 2x4 SP No.2 Right: 2x4 SP No.2	
REACTIONS (lb/size) 2=1843/0-3-8, (min. 0-2-14), 8=1826/0-3-8, (min. 0-2-14) Max Horiz 2=160 (LC 11) Max Uplift 2=196 (LC 10), 8=207 (LC 11)	
FORCES (lb) - Max. Comp./Max. Ten. - All forces 250 (lb) or less except when shown.	
TOP CHORD 2-24=3589/335, 3-24=3474/350, 3-4=3298/331, 4-25=3310/430, 5-25=3232/449, 5-26=2795/375, 6-26=2869/347, 6-7=3442/380, 7-27=3571/412, 8-27=3677/387	
BOT CHORD 2-17=381/3242, 16-17=383/3245, 16-28=11/2355, 13-28=11/2355, 13-29=11/2355, 29-30=11/2355, 12-30=11/2355, 11-12=145/2863, 11-31=145/2863, 10-31=145/2863, 8-10=281/3329	
WEBS 4-16=494/286, 15-16=311/1116, 5-15=249/1234, 5-14=102/1143, 12-14=161/935, 6-12=681/304, 6-10=77/461, 7-10=397/256, 3-16=451/213	

- NOTES**
- Unbalanced roof live loads have been considered for this design.
 - Wind: ASCE 7-10; Vult=130mph (3-second gust) Vasd=103mph; TCCL=6.0psf; BCDL=6.0psf; h=35ft; Cat. II; Exp B; Enclosed; MWFRS (envelope) exterior zone and C-C Exterior (2) -1-0-0 to 3-2-6, Interior (1) 3-2-6 to 16-9-10, Exterior (2) 16-9-10 to 25-2-6, Interior (1) 25-2-6 to 38-9-10, Exterior (2) 38-9-10 to 43-0-0 zone; cantilever left and right exposed; end vertical left and right exposed; C-C for members and forces & MWFRS for reactions shown; Lumber DOL=1.60 plate grip DOL=1.60
 - This truss has been designed for a 10.0 psf bottom chord live load nonconcurrent with any other live loads.
 - * This truss has been designed for a live load of 20.0psf on the bottom chord in all areas where a rectangle 3-06-00 tall by 2-00-00 wide will fit between the bottom chord and any other members, with BCDL = 10.0psf.
 - Provide mechanical connection (by others) of truss to bearing plate capable of withstanding 196 lb uplift at joint 2 and 207 lb uplift at joint 8.
 - This truss is designed in accordance with the 2015 International Residential Code sections R502.11.1 and R802.10.2 and referenced standard ANSI/TPI 1.



This design is based upon parameters shown, and is for an individual building component to be installed and loaded vertically. Applicability of design parameters and proper incorporation of component is responsibility of the Building Designer. Building Designer shall verify all design information on this sheet for conformance with conditions and requirements of the specific building and governing codes and ordinances. Building Designer accepts responsibility for the correctness or accuracy of the design information as it may relate to a specific building. Certification is valid only when truss is fabricated by a UFPI plant. Bracing shown is for lateral support of truss members only and does not replace erection and permanent bracing. Refer to Building Component Safety Information (BCSI) for general guidance regarding storage, erection and bracing available from SBCA and Truss Plate Institute.



Job 72500436	Truss A6T	Truss Type Truss	Qty 1	Ply 1	MUNGO HOMES - TELFAIR A ROOF Job Reference (optional)
-----------------	--------------	---------------------	----------	----------	--

UFP Mid Atlantic LLC, 5631 S. NC 62, Burlington, NC, Joy Perry

Run: 8.81 S Sep 13 2024 Print: 8.810 S Sep 13 2024 MiTek Industries, Inc. Tue Jan 07 11:49:22

Page: 1

ID:a?q6?71yTv6SHVH?OlZqz28gqv-8W5bOQwoDSwdp5DJrvxNUU9bloW0dCBlp6XQwzmdh

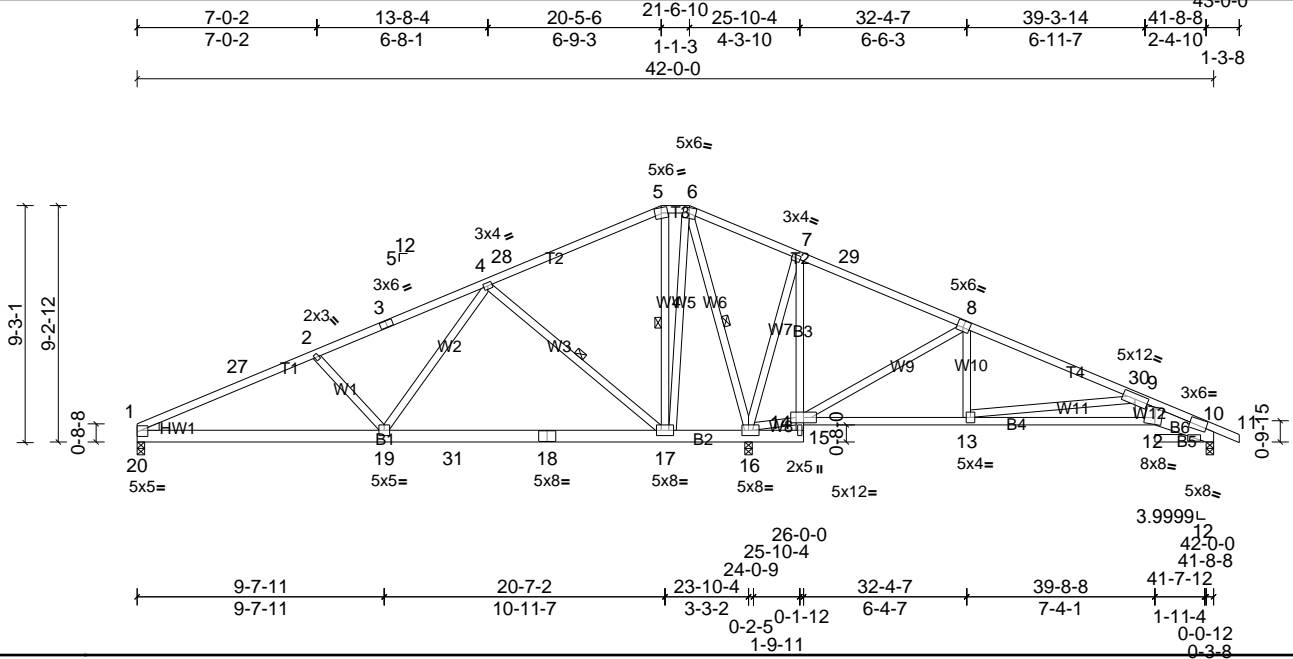


Plate Offsets (X, Y): [8:0-3-0,0-3-4], [10:0-3-15,0-1-7], [12:0-3-4,0-3-4]

Loading	(psf)	Spacing	2-0-0	CSI	DEFL	in	(loc)	l/defl	L/d	PLATES	GRIP
TCLL (roof)	20.0	Plate Grip DOL	1.15	TC	0.68	Vert(LL)	-0.12 17-19	>999	240	MT20	244/190
TCDL	10.0	Lumber DOL	1.15	BC	0.56	Vert(CT)	-0.22 17-19	>999	180		
BCLL	0.0*	Rep Stress Incr	YES	WB	0.88	Horz(CT)	0.03 10	n/a	n/a		
BCDL	10.0	Code	IRC2015/TPI2014	Matrix-MSH							

Weight: 281 lb FT = 20%

LUMBER	BRACING
TOP CHORD 2x4 SP No.2	TOP CHORD Structural wood sheathing directly applied or 4-8-0 oc purlins, except 2-0-0 oc purlins (10-0-0 max.): 5-6.
BOT CHORD 2x6 SP No.2 *Except* B5,B4:2x4 SP No.2, B6:2x8 SP No.2, B3:2x4 SP No.3	BOT CHORD Rigid ceiling directly applied or 6-0-0 oc bracing.
WEBS 2x4 SP No.3 *Except* W12:2x10 SP No.2	WEBS 1 Row at midpt 4-17, 5-17, 6-16
WEDGE Left: 2x4 SP No.2	
REACTIONS	
(lb/size) 1=679/0-3-8, (min. 0-1-8), 10=421/0-3-8, (min. 0-1-8), 16=2320/0-3-8, (min. 0-2-12)	
Max Horiz 1=163 (LC 15)	
Max Uplift 1=147 (LC 10), 10=107 (LC 11), 16=259 (LC 11)	
Max Grav 1=772 (LC 21), 10=477 (LC 22), 16=2320 (LC 1)	
FORCES	
(lb) - Max. Comp./Max. Ten. - All forces 250 (lb) or less except when shown.	
TOP CHORD 1-27=-1299/263, 2-27=-1206/278, 2-3=-1025/221, 3-4=-885/239, 4-28=0/353, 5-28=0/404, 5-6=0/352, 6-7=0/930, 7-29=-22/812, 8-29=-49/678, 9-30=-257/110, 9-10=-1161/176	
BOT CHORD 1-19=-325/1127, 19-31=-146/535, 18-31=-146/535, 17-18=-146/535, 16-17=-428/309, 12-13=-242/1124, 10-12=-167/1149, 7-14=0/282	
WEBS 2-19=-388/228, 4-19=-55/663, 4-17=-842/300, 5-17=-377/127, 8-14=-818/227, 8-13=0/396, 9-13=-965/316, 6-16=-1533/164, 6-17=-178/1046, 9-12=0/284, 14-16=-593/281, 7-16=-553/157	

- NOTES**
- Unbalanced roof live loads have been considered for this design.
 - Wind: ASCE 7-10; Vult=130mph (3-second gust) Vasd=103mph; TCCL=6.0psf; BCCL=6.0psf; h=35ft; Cat. II; Exp B; Enclosed; MWFRS (envelope) exterior zone and C-C Exterior (2) 0-0-0 to 4-2-6, Interior (1) 4-2-6 to 14-6-2, Exterior (2) 14-6-2 to 27-5-14, Interior (1) 27-5-14 to 38-9-10, Exterior (2) 38-9-10 to 43-0-0 zone; cantilever left and right exposed; end vertical left and right exposed; C-C for members and forces & MWFRS for reactions shown; Lumber DOL=1.60 plate grip DOL=1.60
 - Provide adequate drainage to prevent water ponding.
 - This truss has been designed for a 10.0 psf bottom chord live load nonconcurrent with any other live loads.
 - * This truss has been designed for a live load of 20.0psf on the bottom chord in all areas where a rectangle 3-06-00 tall by 2-00-00 wide will fit between the bottom chord and any other members, with BCCL = 10.0psf.
 - Bearing at joint(s) 10 considers parallel to grain value using ANSI/TPI 1 angle to grain formula. Building designer should verify capacity of bearing surface.
 - Provide mechanical connection (by others) of truss to bearing plate capable of withstanding 147 lb uplift at joint 1, 259 lb uplift at joint 16 and 107 lb uplift at joint 10.
 - This truss is designed in accordance with the 2015 International Residential Code sections R502.11.1 and R802.10.2 and referenced standard ANSI/TPI 1.
 - Graphical purlin representation does not depict the size or the orientation of the purlin along the top and/or bottom chord.



This design is based upon parameters shown, and is for an individual building component to be installed and loaded vertically. Applicability of design parameters and proper incorporation of component is responsibility of the Building Designer. Building Designer shall verify all design information on this sheet for conformance with conditions and requirements of the specific building and governing codes and ordinances. Building Designer accepts responsibility for the correctness or accuracy of the design information as it may relate to a specific building. Certification is valid only when truss is fabricated by a UFPI plant. Bracing shown is for lateral support of truss members only and does not replace erection and permanent bracing. Refer to Building Component Safety Information (BCSI) for general guidance regarding storage, erection and bracing available from SBCA and Truss Plate Institute.



Job 72500436	Truss A7T	Truss Type Truss	Qty 1	Ply 1	MUNGO HOMES - TELFAIR A ROOF Job Reference (optional)
-----------------	--------------	---------------------	----------	----------	--

UFP Mid Atlantic LLC, 5631 S. NC 62, Burlington, NC, Joy Perry

Run: 8.81 S Sep 13 2024 Print: 8.810 S Sep 13 2024 MiTek Industries, Inc. Tue Jan 07 11:49:22

Page: 1

ID:a?q6?71yTv6SHVH?OIzqv2z8gqv-8W5bOQwoDSwdp5DJrvxNUU9aUoW_dBoIp6IXQwzmdh

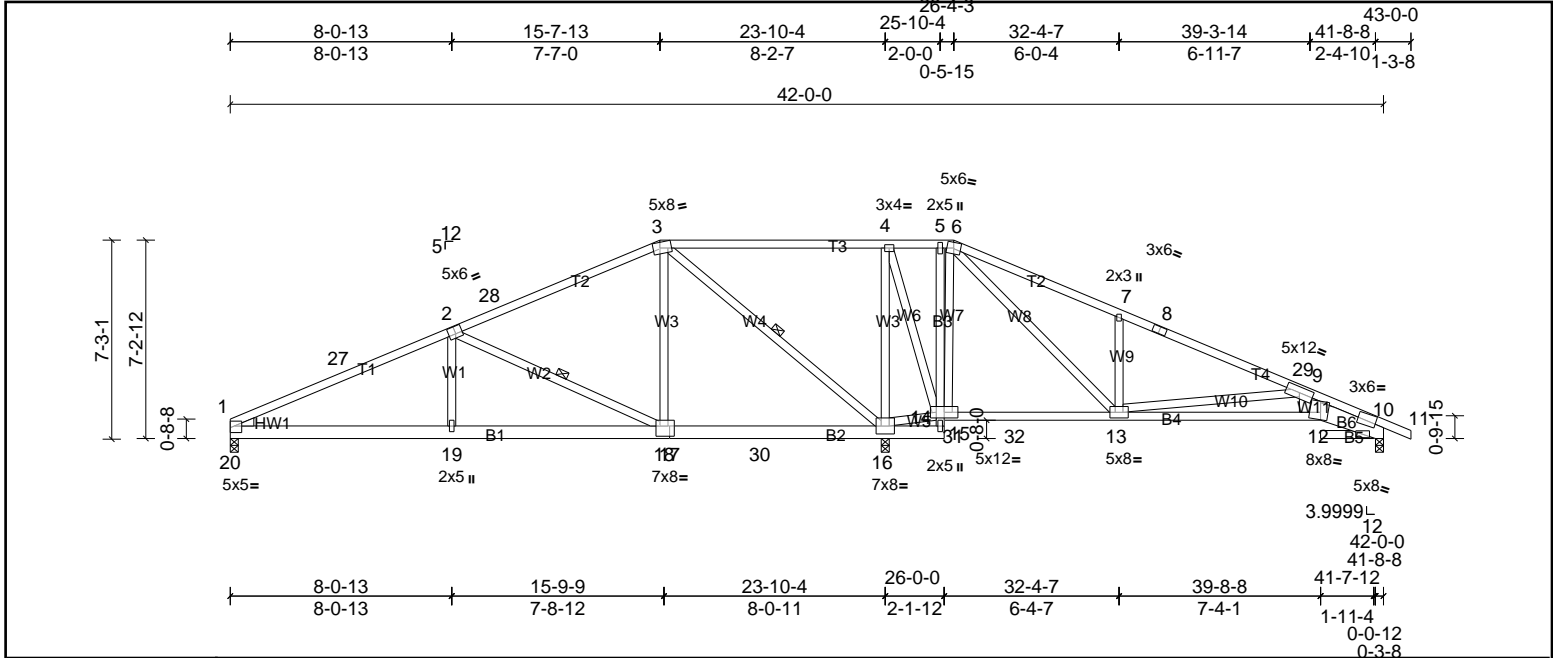


Plate Offsets (X, Y): [2:0-3-0,0-3-4], [3:0-3-0,0-2-8], [10:0-3-15,0-1-7], [12:0-3-4,0-3-4], [17:0-1-12,0-4-8]

Loading	(psf)	Spacing	2-0-0	CSI	DEFL	in	(loc)	l/defl	L/d	PLATES	GRIP	
TCLL (roof)	20.0	Plate Grip DOL	1.15	TC	0.76	Vert(LL)	-0.08	12-13	>999	240	MT20	244/190
TCDL	10.0	Lumber DOL	1.15	BC	0.57	Vert(CT)	-0.19	12-13	>999	180		
BCLL	0.0*	Rep Stress Incr	YES	WB	0.90	Horz(CT)	0.03	10	n/a	n/a		
BCDL	10.0	Code	IRC2015/TPI2014	Matrix-MSH							Weight: 273 lb	FT = 20%

LUMBER	BRACING
TOP CHORD 2x4 SP No.2 *Except* T3:2x4 SP No.1	TOP CHORD Structural wood sheathing directly applied or 4-4-7 oc purlins, except 2-0-0 oc purlins (10-0-0 max.): 3-6.
BOT CHORD 2x6 SP No.2 *Except* B5,B4:2x4 SP No.2, B3:2x4 SP No.3, B6:2x8 SP No.2	BOT CHORD Rigid ceiling directly applied or 6-0-0 oc bracing.
WEBS 2x4 SP No.3 *Except* W11:2x10 SP No.2	WEBS 1 Row at midpt
WEDGE Left: 2x4 SP No.2	
REACTIONS (lb/size) 1=670/0-3-8, (min. 0-1-8), 10=429/0-3-8, (min. 0-1-8), 16=2320/0-3-8, (min. 0-2-12) Max Horiz 1=128 (LC 15) Max Uplift 1=144 (LC 10), 10=121 (LC 11), 16=236 (LC 7) Max Grav 1=761 (LC 21), 10=474 (LC 22), 16=2320 (LC 1)	
FORCES (lb) - Max. Comp./Max. Ten. - All forces 250 (lb) or less except when shown. TOP CHORD 1-27=1248/232, 2-27=1155/252, 2-28=457/129, 3-28=362/160, 3-4=0/892, 4-5=0/715, 5-6=0/707, 9-10=1155/222 BOT CHORD 1-19=292/1069, 18-19=256/1065, 17-18=34/345, 17-30=34/345, 16-30=34/345, 14-31=636/243, 31-32=636/243, 13-32=636/243, 12-13=277/1106, 10-12=207/1138 WEBS 2-19=0/332, 2-18=832/270, 3-18=18/568, 3-16=1348/252, 4-16=1011/274, 7-13=434/250, 6-14=908/285, 6-13=267/976, 14-16=789/303, 4-14=76/527, 9-12=0/295, 9-13=954/312	

- NOTES**
- Unbalanced roof live loads have been considered for this design.
 - Wind: ASCE 7-10; Vult=130mph (3-second gust) Vasd=103mph; TCCL=6.0psf; BCCL=6.0psf; h=35ft; Cat. II; Exp B; Enclosed; MWFRS (envelope) exterior zone and C-C Exterior (2) 0-0-0 to 4-2-6, Interior (1) 4-2-6 to 9-8-8, Exterior (2) 9-8-8 to 32-4-7, Interior (1) 32-4-7 to 38-9-10, Exterior (2) 38-9-10 to 43-0-0 zone; cantilever left and right exposed; end vertical left and right exposed; C-C for members and forces & MWFRS for reactions shown; Lumber DOL=1.60 plate grip DOL=1.60
 - Provide adequate drainage to prevent water ponding.
 - This truss has been designed for a 10.0 psf bottom chord live load nonconcurrent with any other live loads.
 - * This truss has been designed for a live load of 20.0psf on the bottom chord in all areas where a rectangle 3-06-00 tall by 2-00-00 wide will fit between the bottom chord and any other members, with BCCL = 10.0psf.
 - Bearing at joint(s) 10 considers parallel to grain value using ANSI/TPI 1 angle to grain formula. Building designer should verify capacity of bearing surface.
 - Provide mechanical connection (by others) of truss to bearing plate capable of withstanding 144 lb uplift at joint 1, 236 lb uplift at joint 16 and 121 lb uplift at joint 10.
 - This truss is designed in accordance with the 2015 International Residential Code sections R502.11.1 and R802.10.2 and referenced standard ANSI/TPI 1.
 - Graphical purlin representation does not depict the size or the orientation of the purlin along the top and/or bottom chord.



This design is based upon parameters shown, and is for an individual building component to be installed and loaded vertically. Applicability of design parameters and proper incorporation of component is responsibility of the Building Designer. Building Designer shall verify all design information on this sheet for conformance with conditions and requirements of the specific building and governing codes and ordinances. Building Designer accepts responsibility for the correctness or accuracy of the design information as it may relate to a specific building. Certification is valid only when truss is fabricated by a UFPI plant. Bracing shown is for lateral support of truss members only and does not replace erection and permanent bracing. Refer to Building Component Safety Information (BCSI) for general guidance regarding storage, erection and bracing available from SBCA and Truss Plate Institute.



Job 72500436	Truss A8T	Truss Type Truss	Qty 1	Ply 2	MUNGO HOMES - TELFAIR A ROOF Job Reference (optional)
-----------------	--------------	---------------------	----------	----------	--

UFP Mid Atlantic LLC, 5631 S. NC 62, Burlington, NC, Joy Perry

Run: 8.81 S Sep 13 2024 Print: 8.810 S Sep 13 2024 MiTek Industries, Inc. Tue Jan 07 11:49:23

Page: 1

ID:a?g6771yTv6SHVH?OIZqv2z8gqv-8W5bOQwoDSwdp5DJrvxNUU9gwoVzdHZlp6IXQwzxmhd

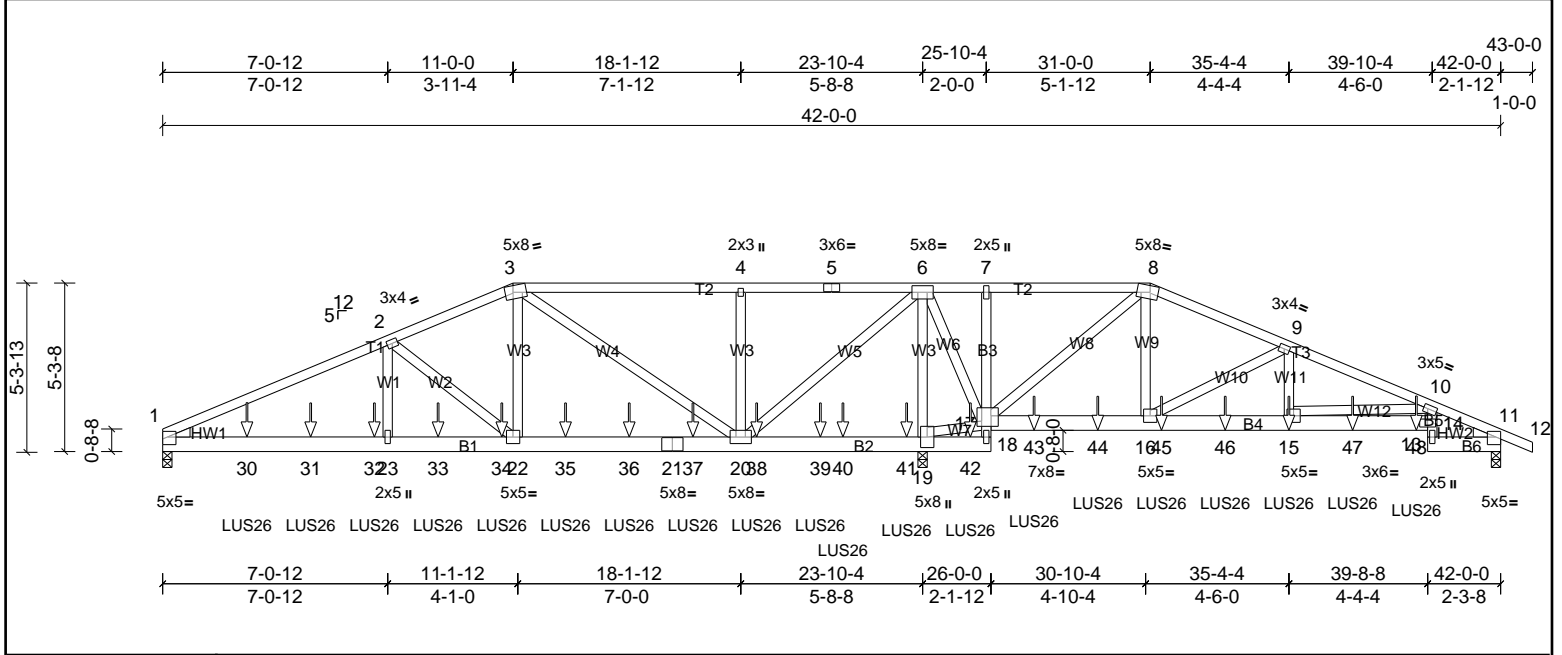


Plate Offsets (X, Y): [3:0-3-0,0-2-8], [8:0-3-0,0-2-8], [10:0-1-8,0-1-8], [17:0-2-12,0-4-0]

Loading	(psf)	Spacing	2-0-0	CSI	DEFL	in	(loc)	l/defl	L/d	PLATES	GRIP	
TCLL (roof)	20.0	Plate Grip DOL	1.15	TC	0.35	Vert(LL)	0.07	20-22	>999	240	MT20	244/190
TCDL	10.0	Lumber DOL	1.15	BC	0.63	Vert(CT)	-0.09	20-22	>999	180		
BCLL	0.0*	Rep Stress Incr	NO	WB	0.54	Horz(CT)	0.03	11	n/a	n/a		
BCDL	10.0	Code	IRC2015/TPI2014	Matrix-MSH							Weight: 540 lb	FT = 20%

LUMBER		BRACING	
TOP CHORD	2x4 SP No.2	TOP CHORD	Structural wood sheathing directly applied or 6-0-0 oc purlins, except 2-0-0 oc purlins (6-0-0 max.): 3-8.
BOT CHORD	2x6 SP No.2 *Except* B3:2x4 SP No.3, B5:2x4 SP No.2	BOT CHORD	Rigid ceiling directly applied or 6-0-0 oc bracing.
WEBS	2x4 SP No.3		
WEDGE	Left: 2x4 SP No.2 Right: 2x4 SP No.2		

REACTIONS	(lb/size)	
	1=1185/0-3-8, (min. 0-1-8), 11=714/0-3-8, (min. 0-1-8), 19=3909/0-3-8, (min. 0-2-5)	
Max Horiz	1=95 (LC 13)	
Max Uplift	1=499 (LC 8), 11=258 (LC 9), 19=2057 (LC 5)	
Max Grav	1=1237 (LC 19), 11=737 (LC 20), 19=3950 (LC 17)	

FORCES	(lb) - Max. Comp./Max. Ten. - All forces 250 (lb) or less except when shown.
TOP CHORD	1-2=-2112/945, 2-3=-1436/771, 3-4=-311/298, 4-5=-311/298, 5-6=-311/298, 6-7=-557/1443, 7-8=-545/1421, 9-10=-1021/438, 10-11=-1137/428
BOT CHORD	1-30=-867/1871, 30-31=-867/1871, 31-32=-867/1871, 23-32=-867/1871, 23-33=-867/1871, 33-34=-867/1871, 22-34=-867/1871, 22-35=-615/1373, 35-36=-615/1373, 21-36=-615/1373, 21-37=-615/1373, 20-37=-615/1373, 20-38=-1842/894, 38-39=-1842/894, 39-40=-1842/894, 40-41=-1842/894, 19-41=-1842/894, 19-42=-306/169, 18-42=-306/169, 11-13=-337/967, 16-45=-311/915, 45-46=-311/915, 15-46=-311/915, 15-47=-664/1887, 47-48=-664/1887, 14-48=-664/1887
WEBS	2-23=-120/404, 2-22=-773/342, 3-22=-537/985, 3-20=-1297/572, 4-20=-438/216, 6-20=-1367/2631, 6-19=-2748/1380, 17-19=-1651/772, 8-16=-480/908, 9-16=-1049/466, 9-15=-210/571, 6-17=-429/947, 8-17=-1791/830, 10-15=-979/355

- NOTES**
- 2-ply truss to be connected together with 10d (0.131"x3") nails as follows:
Top chords connected as follows: 2x4 - 1 row at 0-9-0 oc.
Bottom chords connected as follows: 2x6 - 2 rows staggered at 0-9-0 oc, 2x4 - 1 row at 0-9-0 oc.
Web connected as follows: 2x4 - 1 row at 0-9-0 oc.
 - All loads are considered equally applied to all plies, except if noted as front (F) or back (B) face in the LOAD CASE(S) section. Ply to ply connections have been provided to distribute only loads noted as (F) or (B), unless otherwise indicated.
 - Unbalanced roof live loads have been considered for this design.
 - Wind: ASCE 7-10; Vult=130mph (3-second gust) Vasd=103mph; TCCL=6.0psf; BCDL=6.0psf; h=35ft; Cat. II; Exp B; Enclosed; MWFRS (envelope) exterior zone; cantilever left and right exposed; end vertical left and right exposed; Lumber DOL=1.60 plate grip DOL=1.60
 - Provide adequate drainage to prevent water ponding.
 - This truss has been designed for a 10.0 psf bottom chord live load nonconcurrent with any other live loads.
 - * This truss has been designed for a live load of 20.0psf on the bottom chord in all areas where a rectangle 3-06-00 tall by 2-00-00 wide will fit between the bottom chord and any other members.
 - Provide mechanical connection (by others) of truss to bearing plate capable of withstanding 499 lb uplift at joint 1, 2057 lb uplift at joint 19 and 258 lb uplift at joint 11.
 - This truss is designed in accordance with the 2015 International Residential Code sections R502.11.1 and R802.10.2 and referenced standard ANSI/TPI 1.
 - Graphical purlin representation does not depict the size or the orientation of the purlin along the top and/or bottom chord.
 - Use Simpson Strong-Tie LUS26 (4-10d Girder, 3-10d Truss, Single Ply Girder) or equivalent spaced at 2-0-0 oc max. starting at 2-7-12 from the left end to 39-4-4 to connect truss(es) to front face of bottom chord.
 - Fill all nail holes where hanger is in contact with lumber.

LOAD CASE(S)	Standard
1) Dead + Roof Live (balanced): Lumber Increase=1.15, Plate Increase=1.15	
Uniform Loads (lb/ft)	
Vert: 1-3=-60, 3-8=-60, 8-12=-60, 18-24=-20, 13-27=-20, 14-17=-20	
Concentrated Loads (lb)	



This design is based upon parameters shown, and is for an individual building component to be installed and loaded vertically. Applicability of design parameters and proper incorporation of component is responsibility of the Building Designer. Building Designer shall verify all design information on this sheet for conformance with conditions and requirements of the specific building and governing codes and ordinances. Building Designer accepts responsibility for the correctness or accuracy of the design information as it may relate to a specific building. Certification is valid only when truss is fabricated by a UFPI plant. Bracing shown is for lateral support of truss members only and does not replace erection and permanent bracing. Refer to Building Component Safety Information (BCSI) for general guidance regarding storage, erection and bracing available from SBCA and Truss Plate Institute.



Job 72500436	Truss A8T	Truss Type Truss	Qty 1	Ply 2	MUNGO HOMES - TELFAIR A ROOF Job Reference (optional)
-----------------	--------------	---------------------	----------	----------	--

UFP Mid Atlantic LLC, 5631 S. NC 62, Burlington, NC, Joy Perry

Run: 8.81 S Sep 13 2024 Print: 8.810 S Sep 13 2024 MiTek Industries, Inc. Tue Jan 07 11:49:23

Page: 2

ID:a?q6?71yTv6SHVH?OIZqv2z8gqv-8W5bOQwoDSwdp5DJrvxNUU9gwoVzdHZlp6IXQwzmdh

Vert: 15=-118 (F), 30=-135 (F), 31=-118 (F), 32=-118 (F), 33=-118 (F), 34=-118 (F), 35=-118 (F), 36=-118 (F), 37=-118 (F), 38=-118 (F),
39=-118 (F), 40=-118 (F), 41=-118 (F), 42=-118 (F), 43=-118 (F), 44=-118 (F), 45=-118 (F), 46=-118 (F), 47=-118 (F), 48=-134 (F)



This design is based upon parameters shown, and is for an individual building component to be installed and loaded vertically. Applicability of design parameters and proper incorporation of component is responsibility of the Building Designer. Building Designer shall verify all design information on this sheet for conformance with conditions and requirements of the specific building and governing codes and ordinances. Building Designer accepts responsibility for the correctness or accuracy of the design information as it may relate to a specific building. Certification is valid only when truss is fabricated by a UFPI plant. Bracing shown is for lateral support of truss members only and does not replace erection and permanent bracing. Refer to Building Component Safety Information (BCSI) for general guidance regarding storage, erection and bracing available from SBCA and Truss Plate Institute.



Job 72500436	Truss EJ1	Truss Type Truss	Qty 3	Ply 1	MUNGO HOMES - TELFAIR A ROOF Job Reference (optional)
-----------------	--------------	---------------------	----------	----------	--

UFP Mid Atlantic LLC, 5631 S. NC 62, Burlington, NC, Joy Perry

Run: 8.81 S Sep 13 2024 Print: 8.810 S Sep 13 2024 MiTek Industries, Inc. Tue Jan 07 11:49:23

Page: 1

ID:a?q6?71yTv6SHVH?OlZqv2z8gqv-cifzcmxQ_m2URFnWPdSc0iiuXCytMsAu1mS4yNzxmmdg

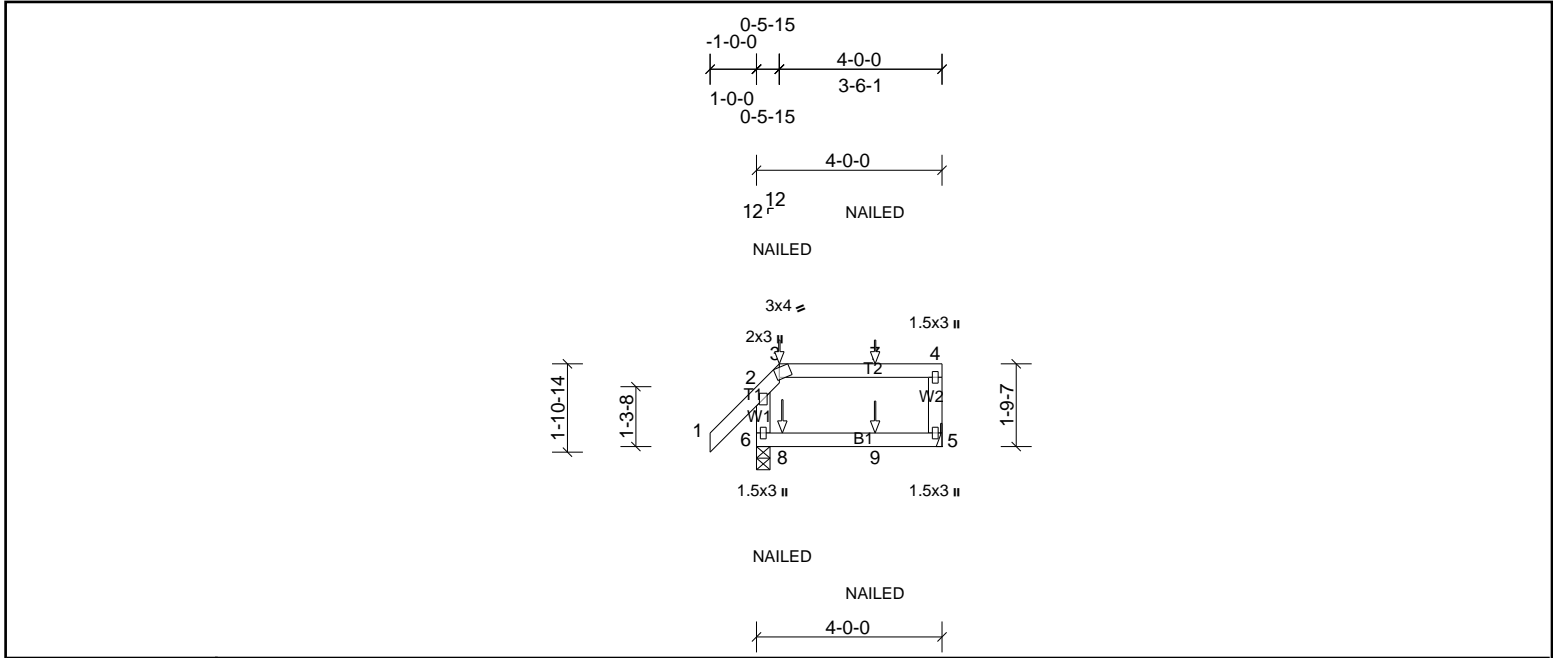


Plate Offsets (X, Y): [3:0-0-11,Edge]

Loading	(psf)	Spacing	2-0-0	CSI	DEFL	in	(loc)	l/defl	L/d	PLATES	GRIP	
TCLL (roof)	20.0	Plate Grip DOL	1.15	TC	0.16	Vert(LL)	-0.01	5-6	>999	240	MT20	244/190
TCDL	10.0	Lumber DOL	1.15	BC	0.14	Vert(CT)	-0.02	5-6	>999	180		
BCLL	0.0*	Rep Stress Incr		NO	0.00	Horz(CT)	0.00	5	n/a	n/a		
BCDL	10.0	Code	IRC2015/TPI2014	Matrix-MR							Weight: 18 lb	FT = 20%

LUMBER		BRACING	
TOP CHORD	2x4 SP No.2	TOP CHORD	Structural wood sheathing directly applied or 4-0-0 oc purlins, except end verticals, and 2-0-0 oc purlins: 3-4.
BOT CHORD	2x4 SP No.2	BOT CHORD	Rigid ceiling directly applied or 10-0-0 oc bracing.
WEBS	2x4 SP No.3		

REACTIONS	(lb/size)	5=147/ Mechanical, (min. 0-1-8), 6=247/0-3-8, (min. 0-1-8)
	Max Horiz	6=77 (LC 7)
	Max Uplift	5=45 (LC 5), 6=46 (LC 8)
	Max Grav	5=155 (LC 20), 6=247 (LC 1)

FORCES (lb) - Max. Comp./Max. Ten. - All forces 250 (lb) or less except when shown.

- NOTES**
- Unbalanced roof live loads have been considered for this design.
 - Wind: ASCE 7-10; Vult=130mph (3-second gust) Vasd=103mph; TCDL=6.0psf; BCDL=6.0psf; h=35ft; Cat. II; Exp B; Enclosed; MWFRS (envelope) exterior zone; cantilever left and right exposed; end vertical left and right exposed; Lumber DOL=1.60 plate grip DOL=1.60
 - Provide adequate drainage to prevent water ponding.
 - This truss has been designed for a 10.0 psf bottom chord live load nonconcurrent with any other live loads.
 - * This truss has been designed for a live load of 20.0psf on the bottom chord in all areas where a rectangle 3-06-00 tall by 2-00-00 wide will fit between the bottom chord and any other members.
 - Provide mechanical connection (by others) of truss to bearing plate capable of withstanding 46 lb uplift at joint 6 and 45 lb uplift at joint 5.
 - This truss is designed in accordance with the 2015 International Residential Code sections R502.11.1 and R802.10.2 and referenced standard ANSI/TPI 1.
 - Graphical purlin representation does not depict the size or the orientation of the purlin along the top and/or bottom chord.
 - "NAILED" indicates 3-10d (0.148"x3") or 3-12d (0.148"x3.25") toe-nails per NDS guidelines.
 - In the LOAD CASE(S) section, loads applied to the face of the truss are noted as front (F) or back (B).

LOAD CASE(S)	Standard
1) Dead + Roof Live (balanced): Lumber Increase=1.15, Plate Increase=1.15	
Uniform Loads (lb/ft)	
	Vert: 1-2=60, 2-3=60, 3-4=60, 5-6=20
Concentrated Loads (lb)	
	Vert: 3=0 (B), 7=0 (B), 8=17 (B), 9=12 (B)



This design is based upon parameters shown, and is for an individual building component to be installed and loaded vertically. Applicability of design parameters and proper incorporation of component is responsibility of the Building Designer. Building Designer shall verify all design information on this sheet for conformance with conditions and requirements of the specific building and governing codes and ordinances. Building Designer accepts responsibility for the correctness or accuracy of the design information as it may relate to a specific building. Certification is valid only when truss is fabricated by a UFPI plant. Bracing shown is for lateral support of truss members only and does not replace erection and permanent bracing. Refer to Building Component Safety Information (BCSI) for general guidance regarding storage, erection and bracing available from SBCA and Truss Plate Institute.



Job 72500436	Truss EJ1T	Truss Type Truss	Qty 1	Ply 1	MUNGO HOMES - TELFAIR A ROOF Job Reference (optional)
-----------------	---------------	---------------------	----------	----------	--

UFP Mid Atlantic LLC, 5631 S. NC 62, Burlington, NC, Joy Perry

Run: 8.81 S Sep 13 2024 Print: 8.810 S Sep 13 2024 MiTek Industries, Inc. Tue Jan 07 11:49:23

Page: 1

ID:a?q6?71yTv6SHVH?OIzqv2z8gqv-cifzcmxQ_m2URFnWpSc0iiupCx2MsAu1mS4yNzxdm

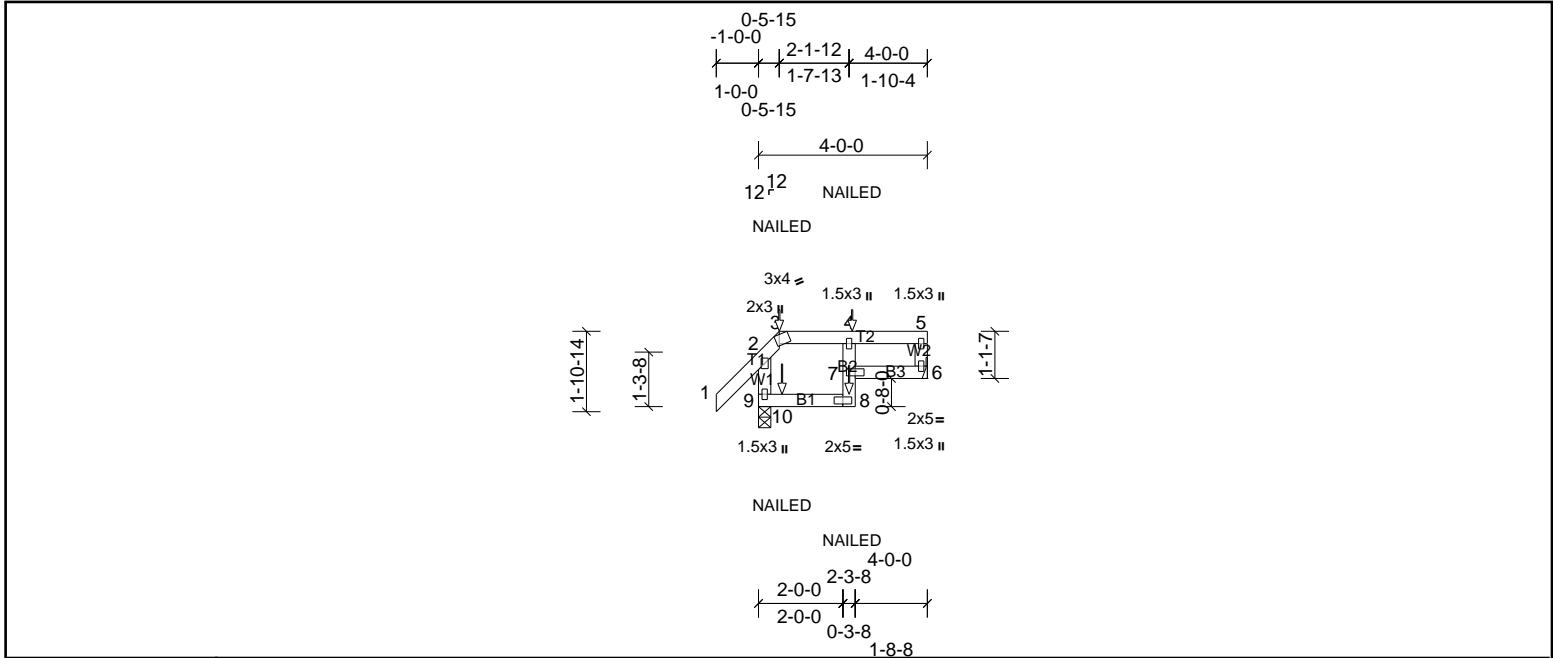


Plate Offsets (X, Y): [3:0-0-11,Edge]

Loading	(psf)	Spacing	2-0-0	CSI	DEFLL	in	(loc)	l/defl	L/d	PLATES	GRIP	
TCLL (roof)	20.0	Plate Grip DOL	1.15	TC	0.15	Vert(LL)	-0.01	7	>999	240	MT20	244/190
TCDL	10.0	Lumber DOL	1.15	BC	0.19	Vert(CT)	-0.01	8	>999	180		
BCLL	0.0*	Rep Stress Incr		NO	0.00	Horz(CT)	0.00	6	n/a	n/a		
BCDL	10.0	Code	IRC2015/TPI2014	Matrix-MR							Weight: 19 lb	FT = 20%

LUMBER		BRACING	
TOP CHORD	2x4 SP No.2	TOP CHORD	Structural wood sheathing directly applied or 4-0-0 oc purlins, except end verticals, and 2-0-0 oc purlins: 3-5.
BOT CHORD	2x4 SP No.2 *Except* B2:2x4 SP No.3	BOT CHORD	Rigid ceiling directly applied or 10-0-0 oc bracing.
WEBS	2x4 SP No.3		

REACTIONS

(lb/size)	6=146/ Mechanical, (min. 0-1-8), 9=248/0-3-8, (min. 0-1-8)
Max Horiz	9=66 (LC 5)
Max Uplift	6=44 (LC 5), 9=47 (LC 8)
Max Grav	6=154 (LC 20), 9=248 (LC 1)

FORCES (lb) - Max. Comp./Max. Ten. - All forces 250 (lb) or less except when shown.

- NOTES**
- Unbalanced roof live loads have been considered for this design.
 - Wind: ASCE 7-10; Vult=130mph (3-second gust) Vasd=103mph; TCDL=6.0psf; BCDL=6.0psf; h=35ft; Cat. II; Exp B; Enclosed; MWFRS (envelope) exterior zone; cantilever left and right exposed; end vertical left and right exposed; Lumber DOL=1.60 plate grip DOL=1.60
 - Provide adequate drainage to prevent water ponding.
 - This truss has been designed for a 10.0 psf bottom chord live load nonconcurrent with any other live loads.
 - * This truss has been designed for a live load of 20.0psf on the bottom chord in all areas where a rectangle 3-06-00 tall by 2-00-00 wide will fit between the bottom chord and any other members.
 - Provide mechanical connection (by others) of truss to bearing plate capable of withstanding 47 lb uplift at joint 9 and 44 lb uplift at joint 6.
 - This truss is designed in accordance with the 2015 International Residential Code sections R502.11.1 and R802.10.2 and referenced standard ANSI/TPI 1.
 - Graphical purlin representation does not depict the size or the orientation of the purlin along the top and/or bottom chord.
 - "NAILED" indicates 3-10d (0.148"x3") or 3-12d (0.148"x3.25") toe-nails per NDS guidelines.
 - In the LOAD CASE(S) section, loads applied to the face of the truss are noted as front (F) or back (B).

LOAD CASE(S) Standard

- Dead + Roof Live (balanced): Lumber Increase=1.15, Plate Increase=1.15
Uniform Loads (lb/ft)
Vert: 1-2=-60, 2-3=-60, 3-5=-60, 8-9=-20, 6-7=-20
Concentrated Loads (lb)
Vert: 3=0 (F), 8=-12 (F), 4=0 (F), 10=-17 (F)



This design is based upon parameters shown, and is for an individual building component to be installed and loaded vertically. Applicability of design parameters and proper incorporation of component is responsibility of the Building Designer. Building Designer shall verify all design information on this sheet for conformance with conditions and requirements of the specific building and governing codes and ordinances. Building Designer accepts responsibility for the correctness or accuracy of the design information as it may relate to a specific building. Certification is valid only when truss is fabricated by a UFPI plant. Bracing shown is for lateral support of truss members only and does not replace erection and permanent bracing. Refer to Building Component Safety Information (BCSI) for general guidance regarding storage, erection and bracing available from SBCA and Truss Plate Institute.



Job 72500436	Truss EJ2	Truss Type Truss	Qty 3	Ply 1	MUNGO HOMES - TELFAIR A ROOF Job Reference (optional)
-----------------	--------------	---------------------	----------	----------	--

UFP Mid Atlantic LLC, 5631 S. NC 62, Burlington, NC, Joy Perry

Run: 8.81 S Sep 13 2024 Print: 8.810 S Sep 13 2024 MiTek Industries, Inc. Tue Jan 07 11:49:24

Page: 1

ID:a?q6?71yTv6SHVH?OlZqv2z8gqv-5uCLp5y2l4AL2PMiyK_rZvF3ycJX5JQ2GQBeUpzmdf

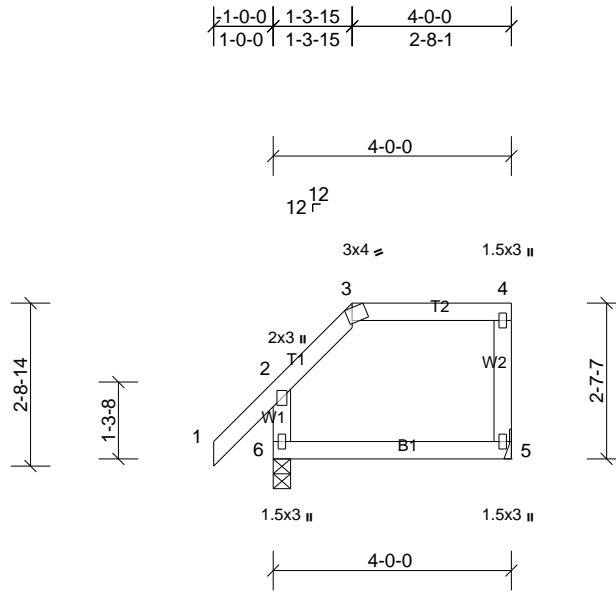


Plate Offsets (X, Y): [3:0-0-11,Edge]

Loading	(psf)	Spacing	2-0-0	CSI	DEFL	in	(loc)	l/defl	L/d	PLATES	GRIP	
TCLL (roof)	20.0	Plate Grip DOL	1.15	TC	0.19	Vert(LL)	-0.01	5-6	>999	240	MT20	244/190
TCDL	10.0	Lumber DOL	1.15	BC	0.11	Vert(CT)	-0.01	5-6	>999	180		
BCLL	0.0*	Rep Stress Incr	YES	WB	0.00	Horz(CT)	0.00	5	n/a	n/a		
BCDL	10.0	Code	IRC2015/TPI2014	Matrix-MR							Weight: 20 lb	FT = 20%

LUMBER
TOP CHORD 2x4 SP No.2
BOT CHORD 2x4 SP No.2
WEBS 2x4 SP No.3

BRACING
TOP CHORD Structural wood sheathing directly applied or 4-0-0 oc purlins, except end verticals, and 2-0-0 oc purlins: 3-4.
BOT CHORD Rigid ceiling directly applied or 10-0-0 oc bracing.

REACTIONS (lb/size) 5=138/ Mechanical, (min. 0-1-8), 6=228/0-3-8, (min. 0-1-8)
Max Horiz 6=110 (LC 7)
Max Uplift 5=57 (LC 7), 6=33 (LC 10)

FORCES (lb) - Max. Comp./Max. Ten. - All forces 250 (lb) or less except when shown.

- NOTES**
- Unbalanced roof live loads have been considered for this design.
 - Wind: ASCE 7-10; Vult=130mph (3-second gust) Vasd=103mph; TCDL=6.0psf; BCDL=6.0psf; h=35ft; Cat. II; Exp B; Enclosed; MWFRS (envelope) exterior zone and C-C Exterior (2) zone; cantilever left and right exposed; end vertical left and right exposed; C-C for members and forces & MWFRS for reactions shown; Lumber DOL=1.60 plate grip DOL=1.60
 - Provide adequate drainage to prevent water ponding.
 - This truss has been designed for a 10.0 psf bottom chord live load nonconcurrent with any other live loads.
 - * This truss has been designed for a live load of 20.0psf on the bottom chord in all areas where a rectangle 3-06-00 tall by 2-00-00 wide will fit between the bottom chord and any other members.
 - Provide mechanical connection (by others) of truss to bearing plate capable of withstanding 33 lb uplift at joint 6 and 57 lb uplift at joint 5.
 - This truss is designed in accordance with the 2015 International Residential Code sections R502.11.1 and R802.10.2 and referenced standard ANSI/TPI 1.
 - Graphical purlin representation does not depict the size or the orientation of the purlin along the top and/or bottom chord.



This design is based upon parameters shown, and is for an individual building component to be installed and loaded vertically. Applicability of design parameters and proper incorporation of component is responsibility of the Building Designer. Building Designer shall verify all design information on this sheet for conformance with conditions and requirements of the specific building and governing codes and ordinances. Building Designer accepts responsibility for the correctness or accuracy of the design information as it may relate to a specific building. Certification is valid only when truss is fabricated by a UFPI plant. Bracing shown is for lateral support of truss members only and does not replace erection and permanent bracing. Refer to Building Component Safety Information (BCSI) for general guidance regarding storage, erection and bracing available from SBCA and Truss Plate Institute.



Job 72500436	Truss EJ2T	Truss Type Truss	Qty 1	Ply 1	MUNGO HOMES - TELFAIR A ROOF Job Reference (optional)
-----------------	---------------	---------------------	----------	----------	--

UFP Mid Atlantic LLC, 5631 S. NC 62, Burlington, NC, Joy Perry

Run: 8.81 S Sep 13 2024 Print: 8.810 S Sep 13 2024 MiTek Industries, Inc. Tue Jan 07 11:49:24

Page: 1

ID:a?q6?71yTv6SHVH?OIZqv2z8gqv-5uCLp5y2i4AL2PMiyK_rZvF3tcJi5JQ2GQBeUpzrmdf

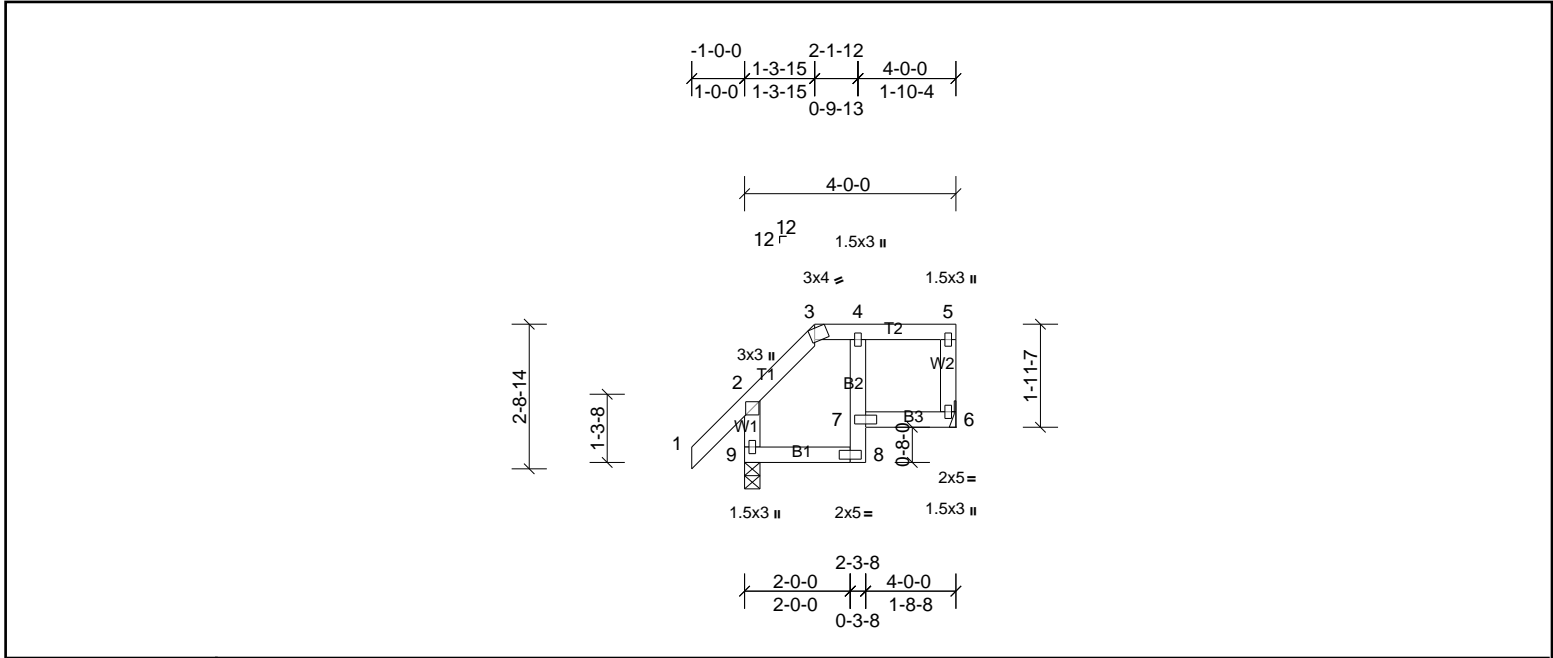


Plate Offsets (X, Y): [3:0-0-11,Edge]

Loading	(psf)	Spacing	2-0-0	CSI	DEFL	in	(loc)	l/defl	L/d	PLATES	GRIP	
TCLL (roof)	20.0	Plate Grip DOL	1.15	TC	0.19	Vert(LL)	0.01	7	>999	240	MT20	244/190
TCDL	10.0	Lumber DOL	1.15	BC	0.10	Vert(CT)	-0.01	7	>999	180		
BCLL	0.0*	Rep Stress Incr	YES	WB	0.00	Horz(CT)	0.00	6	n/a	n/a		
BCDL	10.0	Code	IRC2015/TPI2014	Matrix-MR							Weight: 22 lb	FT = 20%

LUMBER		BRACING	
TOP CHORD	2x4 SP No.2	TOP CHORD	Structural wood sheathing directly applied or 4-0-0 oc purlins, except end verticals, and 2-0-0 oc purlins: 3-5.
BOT CHORD	2x4 SP No.2 *Except* B2:2x4 SP No.3	BOT CHORD	Rigid ceiling directly applied or 10-0-0 oc bracing.
WEBS	2x4 SP No.3		

REACTIONS

(lb/size)	6=138/ Mechanical, (min. 0-1-8), 9=228/0-3-8, (min. 0-1-8)
Max Horiz	9=99 (LC 7)
Max Uplift	6=56 (LC 7), 9=32 (LC 10)

FORCES (lb) - Max. Comp./Max. Ten. - All forces 250 (lb) or less except when shown.

- NOTES**
- Unbalanced roof live loads have been considered for this design.
 - Wind: ASCE 7-10; Vult=130mph (3-second gust) Vasd=103mph; TCDL=6.0psf; BCDL=6.0psf; h=35ft; Cat. II; Exp B; Enclosed; MWFRS (envelope) exterior zone and C-C Exterior (2) zone; cantilever left and right exposed; end vertical left and right exposed; C-C for members and forces & MWFRS for reactions shown; Lumber DOL=1.60 plate grip DOL=1.60
 - Provide adequate drainage to prevent water ponding.
 - This truss has been designed for a 10.0 psf bottom chord live load nonconcurrent with any other live loads.
 - * This truss has been designed for a live load of 20.0psf on the bottom chord in all areas where a rectangle 3-06-00 tall by 2-00-00 wide will fit between the bottom chord and any other members.
 - Provide mechanical connection (by others) of truss to bearing plate capable of withstanding 32 lb uplift at joint 9 and 56 lb uplift at joint 6.
 - This truss is designed in accordance with the 2015 International Residential Code sections R502.11.1 and R802.10.2 and referenced standard ANSI/TPI 1.
 - Graphical purlin representation does not depict the size or the orientation of the purlin along the top and/or bottom chord.



This design is based upon parameters shown, and is for an individual building component to be installed and loaded vertically. Applicability of design parameters and proper incorporation of component is responsibility of the Building Designer. Building Designer shall verify all design information on this sheet for conformance with conditions and requirements of the specific building and governing codes and ordinances. Building Designer accepts responsibility for the correctness or accuracy of the design information as it may relate to a specific building. Certification is valid only when truss is fabricated by a UFPI plant. Bracing shown is for lateral support of truss members only and does not replace erection and permanent bracing. Refer to Building Component Safety Information (BCSI) for general guidance regarding storage, erection and bracing available from SBCA and Truss Plate Institute.



Job 72500436	Truss EJ3	Truss Type Truss	Qty 3	Ply 1	MUNGO HOMES - TELFAIR A ROOF Job Reference (optional)
-----------------	--------------	---------------------	----------	----------	--

UFP Mid Atlantic LLC, 5631 S. NC 62, Burlington, NC, Joy Perry

Run: 8.81 S Sep 13 2024 Print: 8.810 S Sep 13 2024 MiTek Industries, Inc. Tue Jan 07 11:49:24

Page: 1

ID:a?q6?71yTv6SHVH?OIZqv2z8gqv-5uCLp5y2l4AL2PMiyK_rzVF2UcJT5JQ2GQBUPzxmdf

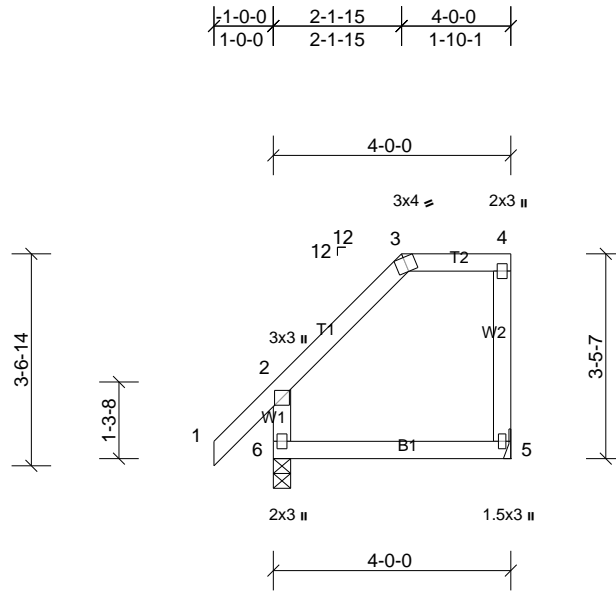


Plate Offsets (X, Y): [3:0-2-0,Edge]

Loading	(psf)	Spacing	2-0-0	CSI	DEFL	in	(loc)	l/defl	L/d	PLATES	GRIP	
TCLL (roof)	20.0	Plate Grip DOL	1.15	TC	0.22	Vert(LL)	-0.01	5-6	>999	240	MT20	244/190
TCDL	10.0	Lumber DOL	1.15	BC	0.12	Vert(CT)	-0.01	5-6	>999	180		
BCLL	0.0*	Rep Stress Incr	YES	WB	0.00	Horz(CT)	0.00	5	n/a	n/a		
BCDL	10.0	Code	IRC2015/TPI2014	Matrix-MR							Weight: 21 lb	FT = 20%

LUMBER

TOP CHORD 2x4 SP No.2
 BOT CHORD 2x4 SP No.2
 WEBS 2x4 SP No.3

BRACING

TOP CHORD Structural wood sheathing directly applied or 4-0-0 oc purlins, except end verticals, and 2-0-0 oc purlins: 3-4.
 BOT CHORD Rigid ceiling directly applied or 10-0-0 oc bracing.

REACTIONS

(lb/size) 5=138/ Mechanical, (min. 0-1-8), 6=228/0-3-8, (min. 0-1-8)
 Max Horiz 6=142 (LC 7)
 Max Uplift 5=75 (LC 7), 6=29 (LC 10)

FORCES

(lb) - Max. Comp./Max. Ten. - All forces 250 (lb) or less except when shown.

NOTES

- 1) Unbalanced roof live loads have been considered for this design.
- 2) Wind: ASCE 7-10; Vult=130mph (3-second gust) Vasd=103mph; TCDL=6.0psf; BCDL=6.0psf; h=35ft; Cat. II; Exp B; Enclosed; MWFRS (envelope) exterior zone and C-C Exterior (2) zone; cantilever left and right exposed; end vertical left and right exposed; C-C for members and forces & MWFRS for reactions shown; Lumber DOL=1.60 plate grip DOL=1.60
- 3) Provide adequate drainage to prevent water ponding.
- 4) This truss has been designed for a 10.0 psf bottom chord live load nonconcurrent with any other live loads.
- 5) * This truss has been designed for a live load of 20.0psf on the bottom chord in all areas where a rectangle 3-06-00 tall by 2-00-00 wide will fit between the bottom chord and any other members.
- 6) Provide mechanical connection (by others) of truss to bearing plate capable of withstanding 29 lb uplift at joint 6 and 75 lb uplift at joint 5.
- 7) This truss is designed in accordance with the 2015 International Residential Code sections R502.11.1 and R802.10.2 and referenced standard ANSI/TPI 1.
- 8) Graphical purlin representation does not depict the size or the orientation of the purlin along the top and/or bottom chord.



This design is based upon parameters shown, and is for an individual building component to be installed and loaded vertically. Applicability of design parameters and proper incorporation of component is responsibility of the Building Designer. Building Designer shall verify all design information on this sheet for conformance with conditions and requirements of the specific building and governing codes and ordinances. Building Designer accepts responsibility for the correctness or accuracy of the design information as it may relate to a specific building. Certification is valid only when truss is fabricated by a UFPI plant. Bracing shown is for lateral support of truss members only and does not replace erection and permanent bracing. Refer to Building Component Safety Information (BCSI) for general guidance regarding storage, erection and bracing available from SBCA and Truss Plate Institute.



Job 72500436	Truss EJ3T	Truss Type Truss	Qty 1	Ply 1	MUNGO HOMES - TELFAIR A ROOF Job Reference (optional)
-----------------	---------------	---------------------	----------	----------	--

UFP Mid Atlantic LLC, 5631 S. NC 62, Burlington, NC, Joy Perry

Run: 8.81 S Sep 13 2024 Print: 8.810 S Sep 13 2024 MiTek Industries, Inc. Tue Jan 07 11:49:24

Page: 1

ID:a?q6?71yTv6SHVH?OlZqv2z8gqv-5uCLp5y2l4AL2PMiyK_rZvF2dcJZ5JQ2GQBeUpzmdf

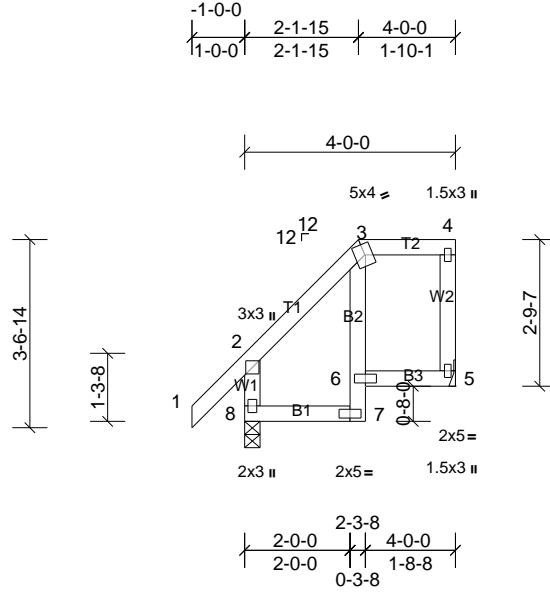


Plate Offsets (X, Y): [3:0-1-12,0-2-8]

Loading	(psf)	Spacing	2-0-0	CSI	DEFL	in	(loc)	l/defl	L/d	PLATES	GRIP	
TCLL (roof)	20.0	Plate Grip DOL	1.15	TC	0.21	Vert(LL)	0.01	3	>999	240	MT20	244/190
TCDL	10.0	Lumber DOL	1.15	BC	0.11	Vert(CT)	-0.01	3	>999	180		
BCLL	0.0*	Rep Stress Incr	YES	WB	0.00	Horz(CT)	0.00	5	n/a	n/a		
BCDL	10.0	Code	IRC2015/TPI2014	Matrix-MR							Weight: 25 lb	FT = 20%

LUMBER

TOP CHORD 2x4 SP No.2
 BOT CHORD 2x4 SP No.2 *Except* B2:2x4 SP No.3
 WEBS 2x4 SP No.3

BRACING

TOP CHORD Structural wood sheathing directly applied or 4-0-0 oc purlins, except end verticals, and 2-0-0 oc purlins: 3-4.
 BOT CHORD Rigid ceiling directly applied or 10-0-0 oc bracing.

REACTIONS (lb/size) 5=138/ Mechanical, (min. 0-1-8), 8=228/0-3-8, (min. 0-1-8)
 Max Horiz 8=131 (LC 7)
 Max Uplift 5=74 (LC 7), 8=28 (LC 10)

FORCES (lb) - Max. Comp./Max. Ten. - All forces 250 (lb) or less except when shown.

- NOTES**
- Unbalanced roof live loads have been considered for this design.
 - Wind: ASCE 7-10; Vult=130mph (3-second gust) Vasd=103mph; TCCL=6.0psf; BCDL=6.0psf; h=35ft; Cat. II; Exp B; Enclosed; MWFRS (envelope) exterior zone and C-C Exterior (2) zone; cantilever left and right exposed; end vertical left and right exposed; C-C for members and forces & MWFRS for reactions shown; Lumber DOL=1.60 plate grip DOL=1.60
 - Provide adequate drainage to prevent water ponding.
 - This truss has been designed for a 10.0 psf bottom chord live load nonconcurrent with any other live loads.
 - * This truss has been designed for a live load of 20.0psf on the bottom chord in all areas where a rectangle 3-06-00 tall by 2-00-00 wide will fit between the bottom chord and any other members.
 - Provide mechanical connection (by others) of truss to bearing plate capable of withstanding 28 lb uplift at joint 8 and 74 lb uplift at joint 5.
 - This truss is designed in accordance with the 2015 International Residential Code sections R502.11.1 and R802.10.2 and referenced standard ANSI/TPI 1.
 - Graphical purlin representation does not depict the size or the orientation of the purlin along the top and/or bottom chord.



This design is based upon parameters shown, and is for an individual building component to be installed and loaded vertically. Applicability of design parameters and proper incorporation of component is responsibility of the Building Designer. Building Designer shall verify all design information on this sheet for conformance with conditions and requirements of the specific building and governing codes and ordinances. Building Designer accepts responsibility for the correctness or accuracy of the design information as it may relate to a specific building. Certification is valid only when truss is fabricated by a UFPI plant. Bracing shown is for lateral support of truss members only and does not replace erection and permanent bracing. Refer to Building Component Safety Information (BCSI) for general guidance regarding storage, erection and bracing available from SBCA and Truss Plate Institute.



Job 72500436	Truss EJ4	Truss Type Truss	Qty 3	Ply 1	MUNGO HOMES - TELFAIR A ROOF Job Reference (optional)
-----------------	--------------	---------------------	----------	----------	--

UFP Mid Atlantic LLC, 5631 S. NC 62, Burlington, NC, Joy Perry

Run: 8.81 S Sep 13 2024 Print: 8.810 S Sep 13 2024 MiTek Industries, Inc. Tue Jan 07 11:49:24

Page: 1

ID:a?q6?71yTv6SHVH?OIzqv2z8gqv-5uCLp5y2l4AL2PMiyK_rZvF29clA5JQ2GQBeUpzmdf

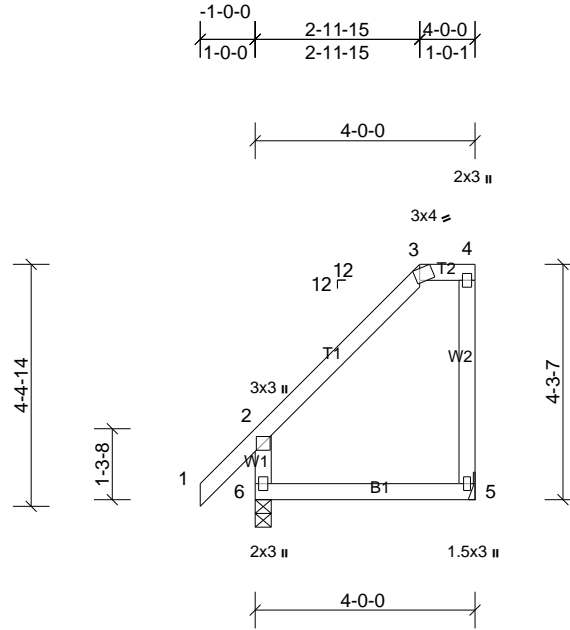


Plate Offsets (X, Y): [3:0-0-11,Edge]

Loading	(psf)	Spacing	2-0-0	CSI	DEFL	in	(loc)	l/defl	L/d	PLATES	GRIP	
TCLL (roof)	20.0	Plate Grip DOL	1.15	TC	0.24	Vert(LL)	0.01	5-6	>999	240	MT20	244/190
TCDL	10.0	Lumber DOL	1.15	BC	0.14	Vert(CT)	-0.02	5-6	>999	180		
BCLL	0.0*	Rep Stress Incr	YES	WB	0.00	Horz(CT)	0.00	5	n/a	n/a		
BCDL	10.0	Code	IRC2015/TPI2014	Matrix-MR							Weight: 23 lb	FT = 20%

LUMBER

TOP CHORD 2x4 SP No.2
 BOT CHORD 2x4 SP No.2
 WEBS 2x4 SP No.3

BRACING

TOP CHORD Structural wood sheathing directly applied or 4-0-0 oc purlins, except end verticals, and 2-0-0 oc purlins: 3-4.
 BOT CHORD Rigid ceiling directly applied or 10-0-0 oc bracing.

REACTIONS

(lb/size) 5=138/ Mechanical, (min. 0-1-8), 6=228/0-3-8, (min. 0-1-8)
 Max Horiz 6=175 (LC 7)
 Max Uplift 5=98 (LC 7), 6=17 (LC 10)
 Max Grav 5=157 (LC 17), 6=228 (LC 1)

FORCES

(lb) - Max. Comp./Max. Ten. - All forces 250 (lb) or less except when shown.

NOTES

- Unbalanced roof live loads have been considered for this design.
- Wind: ASCE 7-10; Vult=130mph (3-second gust) Vasd=103mph; TC DL=6.0psf; BCDL=6.0psf; h=35ft; Cat. II; Exp B; Enclosed; MWFRS (envelope) exterior zone and C-C Exterior (2) zone; cantilever left and right exposed; end vertical left and right exposed; C-C for members and forces & MWFRS for reactions shown; Lumber DOL=1.60 plate grip DOL=1.60
- Provide adequate drainage to prevent water ponding.
- This truss has been designed for a 10.0 psf bottom chord live load nonconcurrent with any other live loads.
- * This truss has been designed for a live load of 20.0psf on the bottom chord in all areas where a rectangle 3-06-00 tall by 2-00-00 wide will fit between the bottom chord and any other members.
- Provide mechanical connection (by others) of truss to bearing plate capable of withstanding 17 lb uplift at joint 6 and 98 lb uplift at joint 5.
- This truss is designed in accordance with the 2015 International Residential Code sections R502.11.1 and R802.10.2 and referenced standard ANSI/TPI 1.
- Graphical purlin representation does not depict the size or the orientation of the purlin along the top and/or bottom chord.



This design is based upon parameters shown, and is for an individual building component to be installed and loaded vertically. Applicability of design parameters and proper incorporation of component is responsibility of the Building Designer. Building Designer shall verify all design information on this sheet for conformance with conditions and requirements of the specific building and governing codes and ordinances. Building Designer accepts responsibility for the correctness or accuracy of the design information as it may relate to a specific building. Certification is valid only when truss is fabricated by a UFPI plant. Bracing shown is for lateral support of truss members only and does not replace erection and permanent bracing. Refer to Building Component Safety Information (BCSI) for general guidance regarding storage, erection and bracing available from SBCA and Truss Plate Institute.



Job 72500436	Truss EJ4T	Truss Type Truss	Qty 1	Ply 1	MUNGO HOMES - TELFAIR A ROOF Job Reference (optional)
-----------------	---------------	---------------------	----------	----------	--

UFP Mid Atlantic LLC, 5631 S. NC 62, Burlington, NC, Joy Perry

Run: 8.81 S Sep 13 2024 Print: 8.810 S Sep 13 2024 MiTek Industries, Inc. Tue Jan 07 11:49:25

Page: 1

ID:a?q6?71yTv6SHVH?OlZqv2z8gqv-Z5mj0RzgwNICgZxuW2V467nDE?erqmfBV4xB0Fzxmde

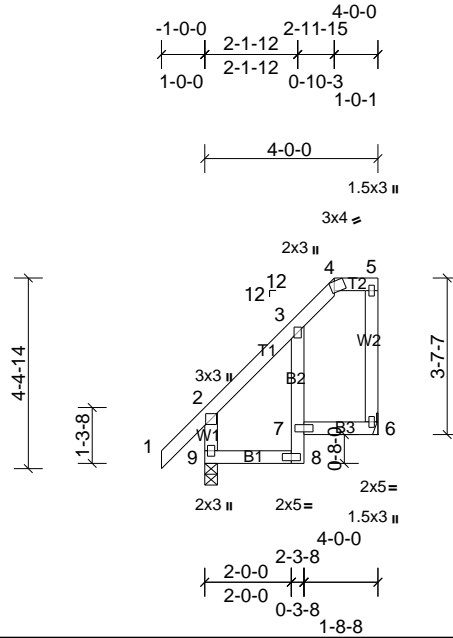


Plate Offsets (X, Y): [4:0-0-11,Edge]

Loading	(psf)	Spacing	2-0-0	CSI	DEFL	in	(loc)	l/defl	L/d	PLATES	GRIP	
TCLL (roof)	20.0	Plate Grip DOL	1.15	TC	0.22	Vert(LL)	0.01	8	>999	240	MT20	244/190
TCDL	10.0	Lumber DOL	1.15	BC	0.17	Vert(CT)	-0.01	8	>999	180		
BCLL	0.0*	Rep Stress Incr	YES	WB	0.00	Horz(CT)	-0.01	6	n/a	n/a		
BCDL	10.0	Code	IRC2015/TPI2014	Matrix-MR							Weight: 26 lb	FT = 20%

LUMBER		BRACING	
TOP CHORD	2x4 SP No.2	TOP CHORD	Structural wood sheathing directly applied or 4-0-0 oc purlins, except end verticals, and 2-0-0 oc purlins: 4-5.
BOT CHORD	2x4 SP No.2 *Except* B2:2x4 SP No.3	BOT CHORD	Rigid ceiling directly applied or 10-0-0 oc bracing.
WEBS	2x4 SP No.3		

REACTIONS	(lb/size)	6=138/ Mechanical, (min. 0-1-8), 9=228/0-3-8, (min. 0-1-8)
Max Horiz	9=164 (LC 7)	
Max Uplift	6=97 (LC 7), 9=16 (LC 10)	
Max Grav	6=157 (LC 17), 9=228 (LC 1)	

FORCES (lb) - Max. Comp./Max. Ten. - All forces 250 (lb) or less except when shown.

- NOTES**
- 1) Unbalanced roof live loads have been considered for this design.
 - 2) Wind: ASCE 7-10; Vult=130mph (3-second gust) Vasd=103mph; TCDL=6.0psf; BCDL=6.0psf; h=35ft; Cat. II; Exp B; Enclosed; MWFRS (envelope) exterior zone and C-C Exterior (2) zone; cantilever left and right exposed; end vertical left and right exposed; C-C for members and forces & MWFRS for reactions shown; Lumber DOL=1.60 plate grip DOL=1.60
 - 3) Provide adequate drainage to prevent water ponding.
 - 4) This truss has been designed for a 10.0 psf bottom chord live load nonconcurrent with any other live loads.
 - 5) * This truss has been designed for a live load of 20.0psf on the bottom chord in all areas where a rectangle 3-06-00 tall by 2-00-00 wide will fit between the bottom chord and any other members.
 - 6) Provide mechanical connection (by others) of truss to bearing plate capable of withstanding 16 lb uplift at joint 9 and 97 lb uplift at joint 6.
 - 7) This truss is designed in accordance with the 2015 International Residential Code sections R502.11.1 and R802.10.2 and referenced standard ANSI/TPI 1.
 - 8) Graphical purlin representation does not depict the size or the orientation of the purlin along the top and/or bottom chord.



This design is based upon parameters shown, and is for an individual building component to be installed and loaded vertically. Applicability of design parameters and proper incorporation of component is responsibility of the Building Designer. Building Designer shall verify all design information on this sheet for conformance with conditions and requirements of the specific building and governing codes and ordinances. Building Designer accepts responsibility for the correctness or accuracy of the design information as it may relate to a specific building. Certification is valid only when truss is fabricated by a UFPI plant. Bracing shown is for lateral support of truss members only and does not replace erection and permanent bracing. Refer to Building Component Safety Information (BCSI) for general guidance regarding storage, erection and bracing available from SBCA and Truss Plate Institute.



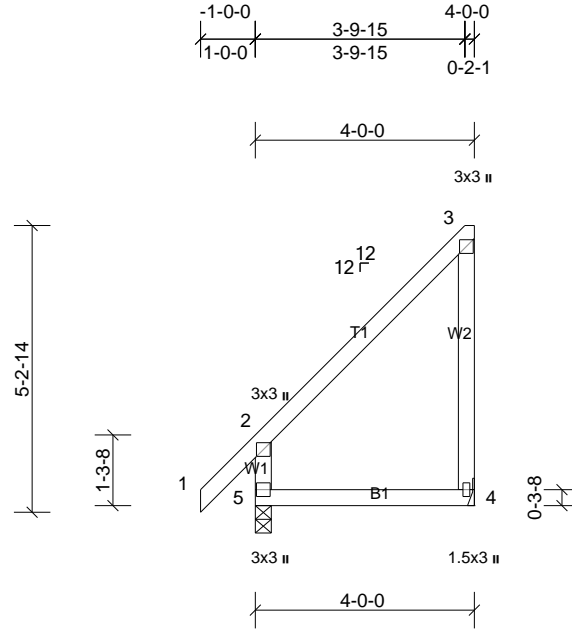
Job 72500436	Truss EJ5	Truss Type Truss	Qty 3	Ply 1	MUNGO HOMES - TELFAIR A ROOF Job Reference (optional)
-----------------	--------------	---------------------	----------	----------	--

UFP Mid Atlantic LLC, 5631 S. NC 62, Burlington, NC, Joy Perry

Run: 8.81 S Sep 13 2024 Print: 8.810 S Sep 13 2024 MiTek Industries, Inc. Tue Jan 07 11:49:25

Page: 1

ID:a?q6?71yTv6SHVH?OIZqv2z8gqv-Z5mj0RzgWNICgZxuW2V467nC8?euqmfBV4xB0Fzxmde



Loading	(psf)	Spacing	2-0-0	CSI	DEFL	in	(loc)	l/defl	L/d	PLATES	GRIP	
TCLL (roof)	20.0	Plate Grip DOL	1.15	TC	0.29	Vert(LL)	0.01	4-5	>999	240	MT20	244/190
TCDL	10.0	Lumber DOL	1.15	BC	0.17	Vert(CT)	-0.02	4-5	>999	180		
BCLL	0.0*	Rep Stress Incr	YES	WB	0.00	Horz(CT)	0.00	4	n/a	n/a		
BCDL	10.0	Code	IRC2015/TPI2014	Matrix-MR							Weight: 25 lb	FT = 20%

LUMBER
 TOP CHORD 2x4 SP No.2
 BOT CHORD 2x4 SP No.2
 WEBS 2x4 SP No.3

BRACING
 TOP CHORD Structural wood sheathing directly applied or 4-0-0 oc purlins, except end verticals.
 BOT CHORD Rigid ceiling directly applied or 10-0-0 oc bracing.

REACTIONS (lb/size) 4=138/ Mechanical, (min. 0-1-8), 5=228/0-3-8, (min. 0-1-8)
 Max Horiz 5=207 (LC 7)
 Max Uplift 4=122 (LC 7), 5=24 (LC 6)
 Max Grav 4=199 (LC 17), 5=257 (LC 18)

FORCES (lb) - Max. Comp./Max. Ten. - All forces 250 (lb) or less except when shown.

- NOTES**
- Unbalanced roof live loads have been considered for this design.
 - Wind: ASCE 7-10; Vult=130mph (3-second gust) Vasd=103mph; TC DL=6.0psf; BC DL=6.0psf; h=35ft; Cat. II; Exp B; Enclosed; MWFRS (envelope) exterior zone and C-C Exterior (2) zone; cantilever left and right exposed; end vertical left and right exposed; C-C for members and forces & MWFRS for reactions shown; Lumber DOL=1.60 plate grip DOL=1.60
 - This truss has been designed for a 10.0 psf bottom chord live load nonconcurrent with any other live loads.
 - * This truss has been designed for a live load of 20.0psf on the bottom chord in all areas where a rectangle 3-06-00 tall by 2-00-00 wide will fit between the bottom chord and any other members.
 - Provide mechanical connection (by others) of truss to bearing plate capable of withstanding 24 lb uplift at joint 5 and 122 lb uplift at joint 4.
 - This truss is designed in accordance with the 2015 International Residential Code sections R502.11.1 and R802.10.2 and referenced standard ANSI/TPI 1.



This design is based upon parameters shown, and is for an individual building component to be installed and loaded vertically. Applicability of design parameters and proper incorporation of component is responsibility of the Building Designer. Building Designer shall verify all design information on this sheet for conformance with conditions and requirements of the specific building and governing codes and ordinances. Building Designer accepts responsibility for the correctness or accuracy of the design information as it may relate to a specific building. Certification is valid only when truss is fabricated by a UFPI plant. Bracing shown is for lateral support of truss members only and does not replace erection and permanent bracing. Refer to Building Component Safety Information (BCSI) for general guidance regarding storage, erection and bracing available from SBCA and Truss Plate Institute.



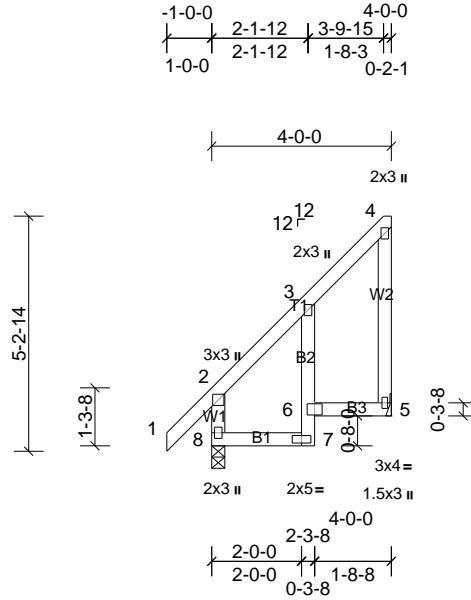
Job 72500436	Truss EJ5T	Truss Type Truss	Qty 1	Ply 1	MUNGO HOMES - TELFAIR A ROOF Job Reference (optional)
-----------------	---------------	---------------------	----------	----------	--

UFP Mid Atlantic LLC, 5631 S. NC 62, Burlington, NC, Joy Perry

Run: 8.81 S Sep 13 2024 Print: 8.810 S Sep 13 2024 MiTek Industries, Inc. Tue Jan 07 11:49:25

Page: 1

ID:a?q6?71yTv6SHVH?OIzqv2z8gqv-Z5mj0RzgWNICgZxuW2V467nD8?dlqmFBV4xB0Fzxmde



Loading	(psf)	Spacing	2-0-0	CSI	DEFL	in	(loc)	l/defl	L/d	PLATES	GRIP	
TCLL (roof)	20.0	Plate Grip DOL	1.15	TC	0.22	Vert(LL)	0.02	7	>999	240	MT20	244/190
TCDL	10.0	Lumber DOL	1.15	BC	0.24	Vert(CT)	-0.02	7	>999	180		
BCLL	0.0*	Rep Stress Incr	YES	WB	0.00	Horz(CT)	-0.01	5	n/a	n/a		
BCDL	10.0	Code	IRC2015/TPI2014	Matrix-MR							Weight: 28 lb	FT = 20%

LUMBER

TOP CHORD 2x4 SP No.2
 BOT CHORD 2x4 SP No.2 *Except* B2:2x4 SP No.3
 WEBS 2x4 SP No.3

BRACING

TOP CHORD Structural wood sheathing directly applied or 4-0-0 oc purlins, except end verticals.
 BOT CHORD Rigid ceiling directly applied or 10-0-0 oc bracing.

REACTIONS (lb/size) 5=138/ Mechanical, (min. 0-1-8), 8=228/0-3-8, (min. 0-1-8)
 Max Horiz 8=196 (LC 7)
 Max Uplift 5=121 (LC 7), 8=22 (LC 6)
 Max Grav 5=199 (LC 17), 8=255 (LC 18)

FORCES (lb) - Max. Comp./Max. Ten. - All forces 250 (lb) or less except when shown.

NOTES

- 1) Unbalanced roof live loads have been considered for this design.
- 2) Wind: ASCE 7-10; Vult=130mph (3-second gust) Vasd=103mph; TCCL=6.0psf; BCDL=6.0psf; h=35ft; Cat. II; Exp B; Enclosed; MWFRS (envelope) exterior zone and C-C Exterior (2) zone; cantilever left and right exposed; end vertical left and right exposed; C-C for members and forces & MWFRS for reactions shown; Lumber DOL=1.60 plate grip DOL=1.60
- 3) This truss has been designed for a 10.0 psf bottom chord live load nonconcurrent with any other live loads.
- 4) * This truss has been designed for a live load of 20.0psf on the bottom chord in all areas where a rectangle 3-06-00 tall by 2-00-00 wide will fit between the bottom chord and any other members.
- 5) Provide mechanical connection (by others) of truss to bearing plate capable of withstanding 22 lb uplift at joint 8 and 121 lb uplift at joint 5.
- 6) This truss is designed in accordance with the 2015 International Residential Code sections R502.11.1 and R802.10.2 and referenced standard ANSI/TPI 1.



This design is based upon parameters shown, and is for an individual building component to be installed and loaded vertically. Applicability of design parameters and proper incorporation of component is responsibility of the Building Designer. Building Designer shall verify all design information on this sheet for conformance with conditions and requirements of the specific building and governing codes and ordinances. Building Designer accepts responsibility for the correctness or accuracy of the design information as it may relate to a specific building. Certification is valid only when truss is fabricated by a UFPI plant. Bracing shown is for lateral support of truss members only and does not replace erection and permanent bracing. Refer to Building Component Safety Information (BCSI) for general guidance regarding storage, erection and bracing available from SBCA and Truss Plate Institute.



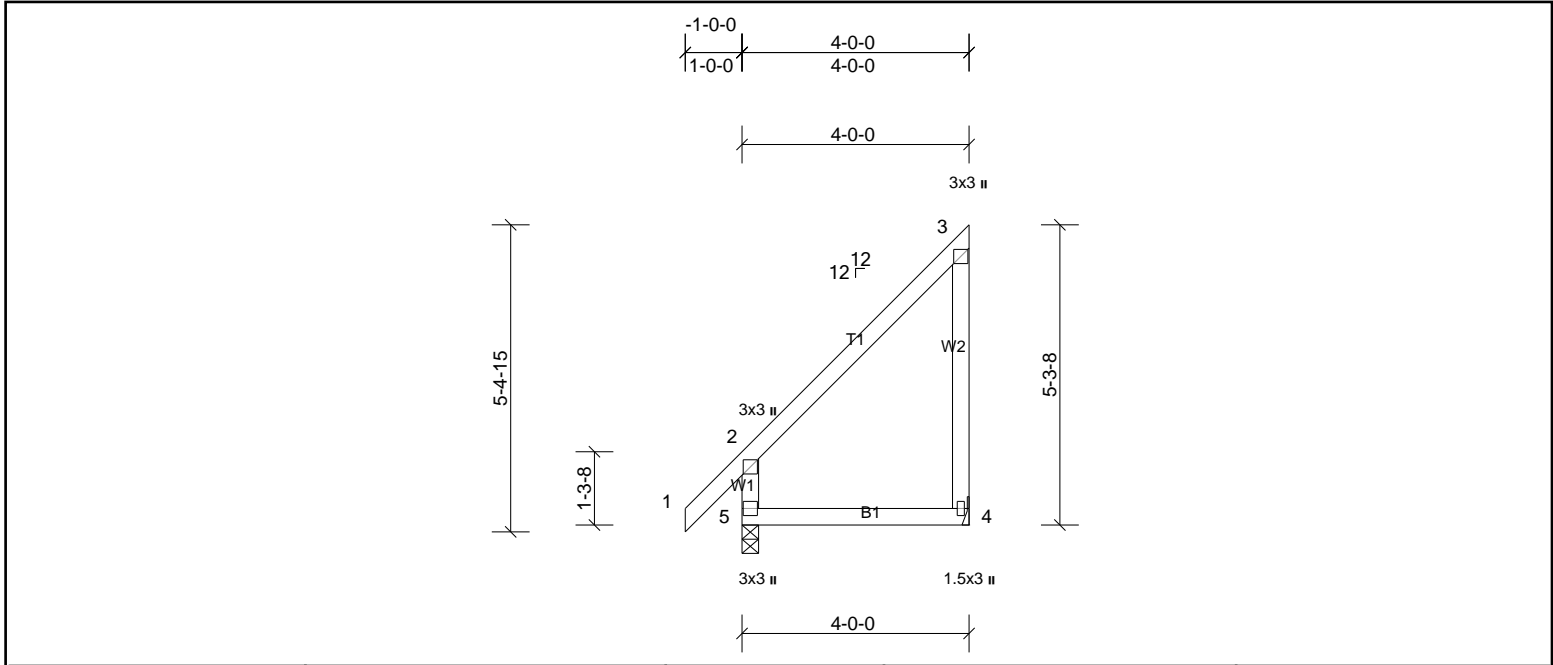
Job 72500436	Truss EJ6	Truss Type Truss	Qty 18	Ply 1	MUNGO HOMES - TELFAIR A ROOF Job Reference (optional)
-----------------	--------------	---------------------	-----------	----------	--

UFP Mid Atlantic LLC, 5631 S. NC 62, Burlington, NC, Joy Perry

Run: 8.81 S Sep 13 2024 Print: 8.810 S Sep 13 2024 MiTek Industries, Inc. Tue Jan 07 11:49:25

Page: 1

ID:a?q6?71yTv6SHVH?OIZqv2z8gqv-Z5mj0RzgWNICgZxuW2V467nC8?euqmfBV4xB0Fzxmde



Loading	(psf)	Spacing	2-0-0	CSI	DEFL	in	(loc)	l/defl	L/d	PLATES	GRIP	
TCLL (roof)	20.0	Plate Grip DOL	1.15	TC	0.29	Vert(LL)	0.01	4-5	>999	240	MT20	244/190
TCDL	10.0	Lumber DOL	1.15	BC	0.17	Vert(CT)	-0.02	4-5	>999	180		
BCLL	0.0*	Rep Stress Incr	YES	WB	0.00	Horz(CT)	0.00	4	n/a	n/a		
BCDL	10.0	Code	IRC2015/TPI2014	Matrix-MR							Weight: 25 lb	FT = 20%

LUMBER		BRACING	
TOP CHORD	2x4 SP No.2	TOP CHORD	Structural wood sheathing directly applied or 4-0-0 oc purlins, except end verticals.
BOT CHORD	2x4 SP No.2	BOT CHORD	Rigid ceiling directly applied or 10-0-0 oc bracing.
WEBS	2x4 SP No.3		

REACTIONS	(lb/size)	4=138/ Mechanical, (min. 0-1-8), 5=228/0-3-8, (min. 0-1-8)
Max Horiz	5=207 (LC 7)	
Max Uplift	4=122 (LC 7), 5=24 (LC 6)	
Max Grav	4=199 (LC 17), 5=257 (LC 18)	

FORCES (lb) - Max. Comp./Max. Ten. - All forces 250 (lb) or less except when shown.

- NOTES**
- Unbalanced roof live loads have been considered for this design.
 - Wind: ASCE 7-10; Vult=130mph (3-second gust) Vasd=103mph; TCCL=6.0psf; BCDL=6.0psf; h=35ft; Cat. II; Exp B; Enclosed; MWFRS (envelope) exterior zone and C-C Exterior (2) zone; cantilever left and right exposed; end vertical left and right exposed; C-C for members and forces & MWFRS for reactions shown; Lumber DOL=1.60 plate grip DOL=1.60
 - This truss has been designed for a 10.0 psf bottom chord live load nonconcurrent with any other live loads.
 - * This truss has been designed for a live load of 20.0psf on the bottom chord in all areas where a rectangle 3-06-00 tall by 2-00-00 wide will fit between the bottom chord and any other members.
 - Provide mechanical connection (by others) of truss to bearing plate capable of withstanding 24 lb uplift at joint 5 and 122 lb uplift at joint 4.
 - This truss is designed in accordance with the 2015 International Residential Code sections R502.11.1 and R802.10.2 and referenced standard ANSI/TPI 1.



This design is based upon parameters shown, and is for an individual building component to be installed and loaded vertically. Applicability of design parameters and proper incorporation of component is responsibility of the Building Designer. Building Designer shall verify all design information on this sheet for conformance with conditions and requirements of the specific building and governing codes and ordinances. Building Designer accepts responsibility for the correctness or accuracy of the design information as it may relate to a specific building. Certification is valid only when truss is fabricated by a UFPI plant. Bracing shown is for lateral support of truss members only and does not replace erection and permanent bracing. Refer to Building Component Safety Information (BCSI) for general guidance regarding storage, erection and bracing available from SBCA and Truss Plate Institute.



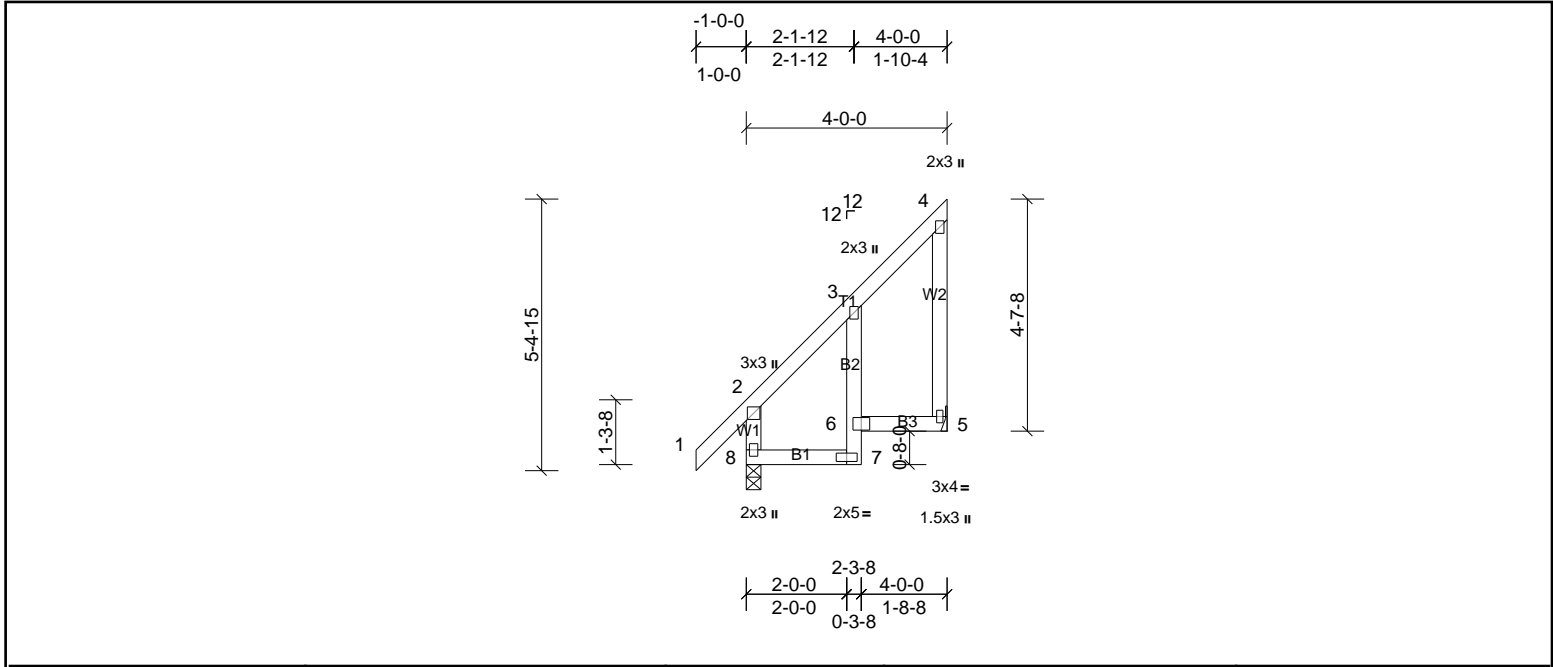
Job 72500436	Truss EJ6T	Truss Type Truss	Qty 2	Ply 1	MUNGO HOMES - TELFAIR A ROOF Job Reference (optional)
-----------------	---------------	---------------------	----------	----------	--

UFP Mid Atlantic LLC, 5631 S. NC 62, Burlington, NC, Joy Perry

Run: 8.81 S Sep 13 2024 Print: 8.810 S Sep 13 2024 MiTek Industries, Inc. Tue Jan 07 11:49:25

Page: 1

ID:a?q6?71yTv6SHVH?OIzqv2z8gqv-Z5mj0RzgWNICgZxuW2V467nD8?dlqmFBV4xB0Fzxmde



Loading	(psf)	Spacing	2-0-0	CSI	DEFLL	in	(loc)	l/defl	L/d	PLATES	GRIP	
TCLL (roof)	20.0	Plate Grip DOL	1.15	TC	0.22	Vert(LL)	0.02	7	>999	240	MT20	244/190
TCDL	10.0	Lumber DOL	1.15	BC	0.24	Vert(CT)	-0.02	7	>999	180		
BCLL	0.0*	Rep Stress Incr		YES	WB	0.00	Horz(CT)	-0.01	5	n/a	n/a	
BCDL	10.0	Code	IRC2015/TPI2014	Matrix-MR							Weight: 28 lb	FT = 20%

LUMBER		BRACING	
TOP CHORD	2x4 SP No.2	TOP CHORD	Structural wood sheathing directly applied or 4-0-0 oc purlins, except end verticals.
BOT CHORD	2x4 SP No.2 *Except* B2:2x4 SP No.3	BOT CHORD	Rigid ceiling directly applied or 10-0-0 oc bracing.
WEBS	2x4 SP No.3		
REACTIONS	(lb/size)	5=138/ Mechanical, (min. 0-1-8), 8=228/0-3-8, (min. 0-1-8)	
	Max Horiz	8=196 (LC 7)	
	Max Uplift	5=121 (LC 7), 8=22 (LC 6)	
	Max Grav	5=199 (LC 17), 8=255 (LC 18)	
FORCES	(lb) - Max. Comp./Max. Ten. - All forces 250 (lb) or less except when shown.		

- NOTES**
- Unbalanced roof live loads have been considered for this design.
 - Wind: ASCE 7-10; Vult=130mph (3-second gust) Vasd=103mph; TCCL=6.0psf; BCDL=6.0psf; h=35ft; Cat. II; Exp B; Enclosed; MWFRS (envelope) exterior zone and C-C Exterior (2) zone; cantilever left and right exposed; end vertical left and right exposed; C-C for members and forces & MWFRS for reactions shown; Lumber DOL=1.60 plate grip DOL=1.60
 - This truss has been designed for a 10.0 psf bottom chord live load nonconcurrent with any other live loads.
 - * This truss has been designed for a live load of 20.0psf on the bottom chord in all areas where a rectangle 3-06-00 tall by 2-00-00 wide will fit between the bottom chord and any other members.
 - Provide mechanical connection (by others) of truss to bearing plate capable of withstanding 22 lb uplift at joint 8 and 121 lb uplift at joint 5.
 - This truss is designed in accordance with the 2015 International Residential Code sections R502.11.1 and R802.10.2 and referenced standard ANSI/TPI 1.



This design is based upon parameters shown, and is for an individual building component to be installed and loaded vertically. Applicability of design parameters and proper incorporation of component is responsibility of the Building Designer. Building Designer shall verify all design information on this sheet for conformance with conditions and requirements of the specific building and governing codes and ordinances. Building Designer accepts responsibility for the correctness or accuracy of the design information as it may relate to a specific building. Certification is valid only when truss is fabricated by a UFPI plant. Bracing shown is for lateral support of truss members only and does not replace erection and permanent bracing. Refer to Building Component Safety Information (BCSI) for general guidance regarding storage, erection and bracing available from SBCA and Truss Plate Institute.



Job 72500436	Truss P1	Truss Type Truss	Qty 5	Ply 1	MUNGO HOMES - TELFAIR A ROOF Job Reference (optional)
-----------------	-------------	---------------------	----------	----------	--

UFP Mid Atlantic LLC, 5631 S. NC 62, Burlington, NC, Joy Perry

Run: 8.81 S Sep 13 2024 Print: 8.810 S Sep 13 2024 MiTek Industries, Inc. Tue Jan 07 11:49:25

Page: 1

ID:a?q6?71yTv6SHVH?OIZqv2z8gqv-Z5mj0RzgWNICgZxuW2V467nEg?eFqmFBV4xB0Fzxmde

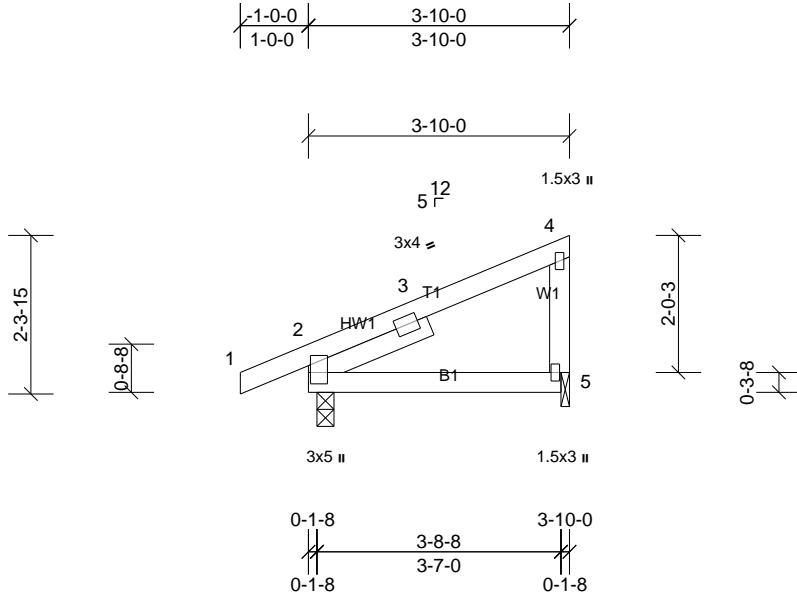


Plate Offsets (X, Y): [2:0-3-3,0-0-6]

Loading	(psf)	Spacing	2-0-0	CSI	DEFL	in	(loc)	l/defl	L/d	PLATES	GRIP	
TCLL (roof)	20.0	Plate Grip DOL	1.15	TC	0.19	Vert(LL)	0.02	5-8	>999	240	MT20	244/190
TCDL	10.0	Lumber DOL	1.15	BC	0.15	Vert(CT)	-0.02	5-8	>999	180		
BCLL	0.0*	Rep Stress Incr	YES	WB	0.00	Horz(CT)	-0.01	2	n/a	n/a		
BCDL	10.0	Code	IRC2015/TPI2014	Matrix-MP							Weight: 19 lb	FT = 20%

LUMBER		BRACING	
TOP CHORD	2x4 SP No.2	TOP CHORD	Structural wood sheathing directly applied or 3-10-0 oc purlins, except end verticals.
BOT CHORD	2x4 SP No.2	BOT CHORD	Rigid ceiling directly applied or 10-0-0 oc bracing.
WEBS	2x4 SP No.3		
SLIDER	Left 2x4 SP No.3 -- 1-11-0		
REACTIONS	(lb/size) 2=216/0-3-0, (min. 0-1-8), 5=139/0-1-8, (min. 0-1-8)		
	Max Horiz 2=87 (LC 9)		
	Max Uplift 2=75 (LC 6), 5=61 (LC 7)		
FORCES	(lb) - Max. Comp./Max. Ten. - All forces 250 (lb) or less except when shown.		

- NOTES**
- 1) Unbalanced roof live loads have been considered for this design.
 - 2) Wind: ASCE 7-10; Vult=130mph (3-second gust) Vasd=103mph; TC DL=6.0psf; BCDL=6.0psf; h=35ft; Cat. II; Exp B; Enclosed; MWFRS (envelope) exterior zone and C-C Exterior (2) zone; cantilever left and right exposed; end vertical left and right exposed; porch left and right exposed; C-C for members and forces & MWFRS for reactions shown; Lumber DOL=1.60 plate grip DOL=1.60
 - 3) This truss has been designed for a 10.0 psf bottom chord live load nonconcurrent with any other live loads.
 - 4) * This truss has been designed for a live load of 20.0psf on the bottom chord in all areas where a rectangle 3-06-00 tall by 2-00-00 wide will fit between the bottom chord and any other members.
 - 5) Bearing at joint(s) 5 considers parallel to grain value using ANSI/TPI 1 angle to grain formula. Building designer should verify capacity of bearing surface.
 - 6) Provide mechanical connection (by others) of truss to bearing plate at joint(s) 2, 5.
 - 7) Provide mechanical connection (by others) of truss to bearing plate capable of withstanding 75 lb uplift at joint 2 and 61 lb uplift at joint 5.
 - 8) This truss is designed in accordance with the 2015 International Residential Code sections R502.11.1 and R802.10.2 and referenced standard ANSI/TPI 1.



This design is based upon parameters shown, and is for an individual building component to be installed and loaded vertically. Applicability of design parameters and proper incorporation of component is responsibility of the Building Designer. Building Designer shall verify all design information on this sheet for conformance with conditions and requirements of the specific building and governing codes and ordinances. Building Designer accepts responsibility for the correctness or accuracy of the design information as it may relate to a specific building. Certification is valid only when truss is fabricated by a UFPI plant. Bracing shown is for lateral support of truss members only and does not replace erection and permanent bracing. Refer to Building Component Safety Information (BCSI) for general guidance regarding storage, erection and bracing available from SBCA and Truss Plate Institute.



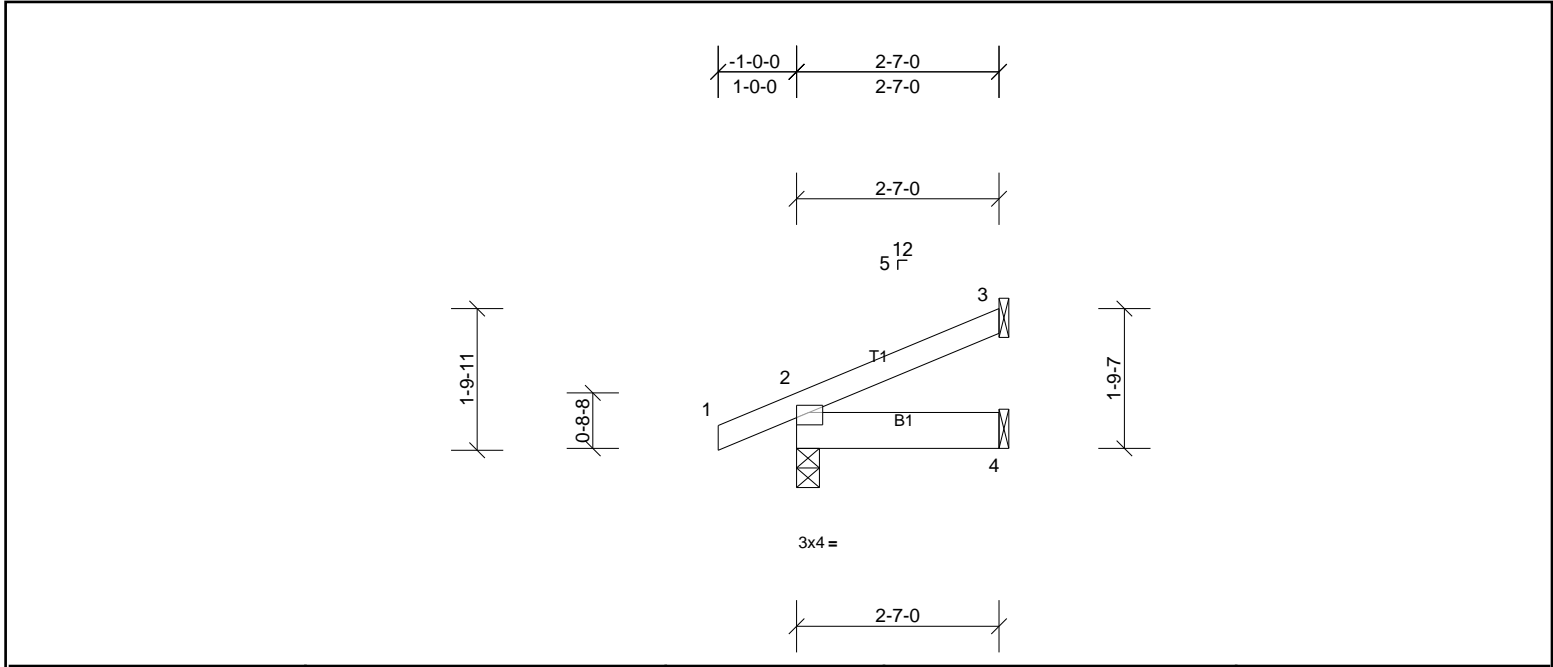
Job 72500436	Truss SJ1	Truss Type Truss	Qty 6	Ply 1	MUNGO HOMES - TELFAIR A ROOF Job Reference (optional)
-----------------	--------------	---------------------	----------	----------	--

UFP Mid Atlantic LLC, 5631 S. NC 62, Burlington, NC, Joy Perry

Run: 8.81 S Sep 13 2024 Print: 8.810 S Sep 13 2024 MiTek Industries, Inc. Tue Jan 07 11:49:26

Page: 1

ID:a?q6?71yTv6SHVH?OIZqv2z8gqv-1HK6EnzIHhQ3JjW44I0JeKKQIP0KZDvLkkgIZixmdd



Loading	(psf)	Spacing	2-0-0	CSI	DEFL	in	(loc)	l/defl	L/d	PLATES	GRIP	
TCLL (roof)	20.0	Plate Grip DOL	1.15	TC	0.07	Vert(LL)	0.00	4-7	>999	240	MT20	244/190
TCDL	10.0	Lumber DOL	1.15	BC	0.03	Vert(CT)	0.00	4-7	>999	180		
BCLL	0.0*	Rep Stress Incr	YES	WB	0.00	Horz(CT)	0.00	3	n/a	n/a		
BCDL	10.0	Code	IRC2015/TPI2014	Matrix-MP							Weight: 12 lb	FT = 20%

LUMBER	BRACING
TOP CHORD 2x4 SP No.2	TOP CHORD Structural wood sheathing directly applied or 2-7-0 oc purlins.
BOT CHORD 2x6 SP No.2	BOT CHORD Rigid ceiling directly applied or 10-0-0 oc bracing.
REACTIONS	
(lb/size) 2=173/0-3-8, (min. 0-1-8), 3=57/ Mechanical, (min. 0-1-8), 4=32/ Mechanical, (min. 0-1-8)	
Max Horiz 2=57 (LC 10)	
Max Uplift 2=33 (LC 10), 3=34 (LC 10)	
Max Grav 2=173 (LC 1), 3=57 (LC 1), 4=50 (LC 3)	

FORCES (lb) - Max. Comp./Max. Ten. - All forces 250 (lb) or less except when shown.

- NOTES**
- 1) Wind: ASCE 7-10; Vult=130mph (3-second gust) Vasd=103mph; TC DL=6.0psf; BCDL=6.0psf; h=35ft; Cat. II; Exp B; Enclosed; MWFRS (envelope) exterior zone and C-C Exterior (2) zone; cantilever left and right exposed; end vertical left and right exposed; C-C for members and forces & MWFRS for reactions shown; Lumber DOL=1.60 plate grip DOL=1.60
 - 2) This truss has been designed for a 10.0 psf bottom chord live load nonconcurrent with any other live loads.
 - 3) * This truss has been designed for a live load of 20.0psf on the bottom chord in all areas where a rectangle 3-06-00 tall by 2-00-00 wide will fit between the bottom chord and any other members.
 - 4) Provide mechanical connection (by others) of truss to bearing plate capable of withstanding 34 lb uplift at joint 3 and 33 lb uplift at joint 2.
 - 5) This truss is designed in accordance with the 2015 International Residential Code sections R502.11.1 and R802.10.2 and referenced standard ANSI/TPI 1.



This design is based upon parameters shown, and is for an individual building component to be installed and loaded vertically. Applicability of design parameters and proper incorporation of component is responsibility of the Building Designer. Building Designer shall verify all design information on this sheet for conformance with conditions and requirements of the specific building and governing codes and ordinances. Building Designer accepts responsibility for the correctness or accuracy of the design information as it may relate to a specific building. Certification is valid only when truss is fabricated by a UFPI plant. Bracing shown is for lateral support of truss members only and does not replace erection and permanent bracing. Refer to Building Component Safety Information (BCSI) for general guidance regarding storage, erection and bracing available from SBCA and Truss Plate Institute.



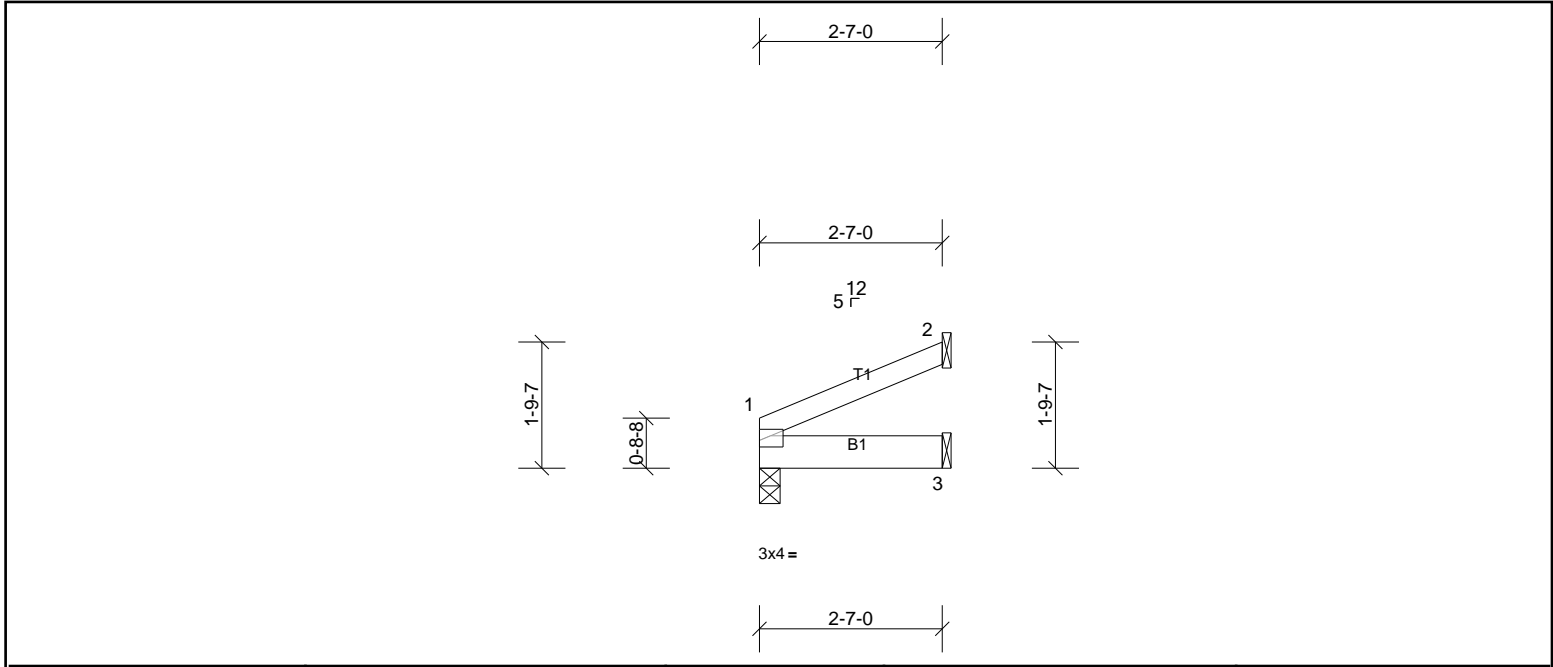
Job 72500436	Truss SJ2	Truss Type Truss	Qty 2	Ply 1	MUNGO HOMES - TELFAIR A ROOF Job Reference (optional)
-----------------	--------------	---------------------	----------	----------	--

UFP Mid Atlantic LLC, 5631 S. NC 62, Burlington, NC, Joy Perry

Run: 8.81 S Sep 13 2024 Print: 8.810 S Sep 13 2024 MiTek Industries, Inc. Tue Jan 07 11:49:26

Page: 1

ID:a?q6?71yTv6SHVH?OIzqv2z8gqv-1HK6EnzIHhQ3IjW44I0JeKKQFP08ZDvLkkgIZixmdd



Loading	(psf)	Spacing	2-0-0	CSI	DEFL	in	(loc)	l/defl	L/d	PLATES	GRIP	
TCLL (roof)	20.0	Plate Grip DOL	1.15	TC	0.07	Vert(LL)	0.00	3-6	>999	240	MT20	244/190
TCDL	10.0	Lumber DOL	1.15	BC	0.04	Vert(CT)	0.00	3-6	>999	180		
BCLL	0.0*	Rep Stress Incr	YES	WB	0.00	Horz(CT)	0.00	2	n/a	n/a		
BCDL	10.0	Code	IRC2015/TPI2014	Matrix-MP							Weight: 10 lb	FT = 20%

LUMBER	BRACING
TOP CHORD 2x4 SP No.2	TOP CHORD Structural wood sheathing directly applied or 2-7-0 oc purlins.
BOT CHORD 2x6 SP No.2	BOT CHORD Rigid ceiling directly applied or 10-0-0 oc bracing.
REACTIONS	
(lb/size) 1=101/0-3-8, (min. 0-1-8), 2=60/ Mechanical, (min. 0-1-8), 3=40/ Mechanical, (min. 0-1-8)	
Max Horiz 1=42 (LC 10)	
Max Uplift 1=6 (LC 10), 2=-35 (LC 10)	
Max Grav 1=101 (LC 1), 2=60 (LC 1), 3=53 (LC 3)	

FORCES (lb) - Max. Comp./Max. Ten. - All forces 250 (lb) or less except when shown.

- NOTES**
- 1) Wind: ASCE 7-10; Vult=130mph (3-second gust) Vasd=103mph; TCCL=6.0psf; BCDL=6.0psf; h=35ft; Cat. II; Exp B; Enclosed; MWFRS (envelope) exterior zone and C-C Exterior (2) zone; cantilever left and right exposed ; end vertical left and right exposed; C-C for members and forces & MWFRS for reactions shown; Lumber DOL=1.60 plate grip DOL=1.60
 - 2) This truss has been designed for a 10.0 psf bottom chord live load nonconcurrent with any other live loads.
 - 3) * This truss has been designed for a live load of 20.0psf on the bottom chord in all areas where a rectangle 3-06-00 tall by 2-00-00 wide will fit between the bottom chord and any other members.
 - 4) Provide mechanical connection (by others) of truss to bearing plate capable of withstanding 6 lb uplift at joint 1 and 35 lb uplift at joint 2.
 - 5) This truss is designed in accordance with the 2015 International Residential Code sections R502.11.1 and R802.10.2 and referenced standard ANSI/TPI 1.



This design is based upon parameters shown, and is for an individual building component to be installed and loaded vertically. Applicability of design parameters and proper incorporation of component is responsibility of the Building Designer. Building Designer shall verify all design information on this sheet for conformance with conditions and requirements of the specific building and governing codes and ordinances. Building Designer accepts responsibility for the correctness or accuracy of the design information as it may relate to a specific building. Certification is valid only when truss is fabricated by a UFPI plant. Bracing shown is for lateral support of truss members only and does not replace erection and permanent bracing. Refer to Building Component Safety Information (BCSI) for general guidance regarding storage, erection and bracing available from SBCA and Truss Plate Institute.



Job 72500436	Truss V1	Truss Type Truss	Qty 1	Ply 1	MUNGO HOMES - TELFAIR A ROOF Job Reference (optional)
-----------------	-------------	---------------------	----------	----------	--

UFP Mid Atlantic LLC, 5631 S. NC 62, Burlington, NC, Joy Perry

Run: 8.81 S Sep 13 2024 Print: 8.810 S Sep 13 2024 MiTek Industries, Inc. Tue Jan 07 11:49:26

Page: 1

ID:a?q6?71yTv6SHVH?OIZqvZz8gqv-1HK6EnzIHhQ3JjW44l0JeKKQBp0wZDxLkkgIZixmdd

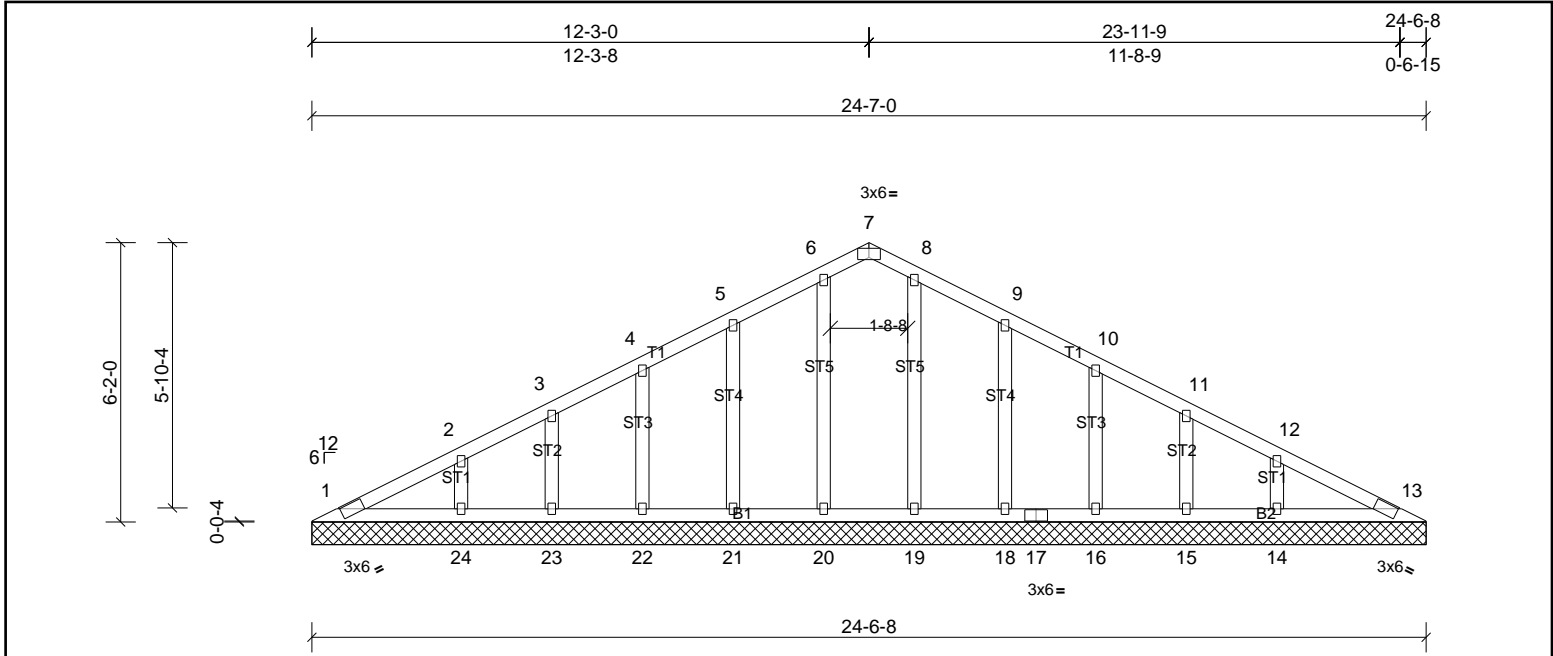


Plate Offsets (X, Y): [7:0-3-0,Edge]

Loading	(psf)	Spacing	2-0-0	CSI	DEFL	in	(loc)	l/defl	L/d	PLATES	GRIP	
TCLL (roof)	20.0	Plate Grip DOL	1.15	TC	0.07	Vert(LL)	n/a	-	n/a	999	MT20	244/190
TCDL	10.0	Lumber DOL	1.15	BC	0.05	Vert(TL)	n/a	-	n/a	999		
BCLL	0.0*	Rep Stress Incr	YES	WB	0.06	Horiz(TL)	0.00	13	n/a	n/a		
BCDL	10.0	Code	IRC2015/TPI2014	Matrix-SH							Weight: 122 lb	FT = 20%

LUMBER	BRACING
TOP CHORD 2x4 SP No.2	TOP CHORD Structural wood sheathing directly applied or 6-0-0 oc purlins.
BOT CHORD 2x4 SP No.2	BOT CHORD Rigid ceiling directly applied or 10-0-0 oc bracing.
OTHERS 2x4 SP No.3	

REACTIONS All bearings 24-7-0.
 (lb) - Max Horiz 1=102 (LC 14)
 Max Uplift All uplift 100 (lb) or less at joint(s) 14, 15, 16, 18, 21, 22, 23, 24
 Max Grav All reactions 250 (lb) or less at joint(s) 1, 13, 14, 15, 16, 18, 19, 20, 21, 22, 23, 24

FORCES (lb) - Max. Comp./Max. Ten. - All forces 250 (lb) or less except when shown.

- NOTES**
- Unbalanced roof live loads have been considered for this design.
 - Wind: ASCE 7-10; Vult=130mph (3-second gust) Vasd=103mph; TCDL=6.0psf; BCDL=6.0psf; h=35ft; Cat. II; Exp B; Enclosed; MWFRS (envelope) exterior zone and C-C Exterior (2) 0-7-9 to 3-4-0, Interior (1) 3-4-0 to 9-4-0, Exterior (2) 9-4-0 to 15-4-0, Interior (1) 15-4-0 to 21-0-7, Exterior (2) 21-0-7 to 24-0-7 zone; cantilever left and right exposed; end vertical left and right exposed; C-C for members and forces & MWFRS for reactions shown; Lumber DOL=1.60 plate grip DOL=1.60
 - All plates are 2x3 MT20 unless otherwise indicated.
 - Gable requires continuous bottom chord bearing.
 - This truss has been designed for a 10.0 psf bottom chord live load nonconcurrent with any other live loads.
 - * This truss has been designed for a live load of 20.0psf on the bottom chord in all areas where a rectangle 3-06-00 tall by 2-00-00 wide will fit between the bottom chord and any other members.
 - Provide mechanical connection (by others) of truss to bearing plate capable of withstanding 100 lb uplift at joint(s) 21, 22, 23, 24, 18, 16, 15, 14.
 - This truss is designed in accordance with the 2015 International Residential Code sections R502.11.1 and R802.10.2 and referenced standard ANSI/TPI 1.



This design is based upon parameters shown, and is for an individual building component to be installed and loaded vertically. Applicability of design parameters and proper incorporation of component is responsibility of the Building Designer. Building Designer shall verify all design information on this sheet for conformance with conditions and requirements of the specific building and governing codes and ordinances. Building Designer accepts responsibility for the correctness or accuracy of the design information as it may relate to a specific building. Certification is valid only when truss is fabricated by a UFPI plant. Bracing shown is for lateral support of truss members only and does not replace erection and permanent bracing. Refer to Building Component Safety Information (BCSI) for general guidance regarding storage, erection and bracing available from SBCA and Truss Plate Institute.



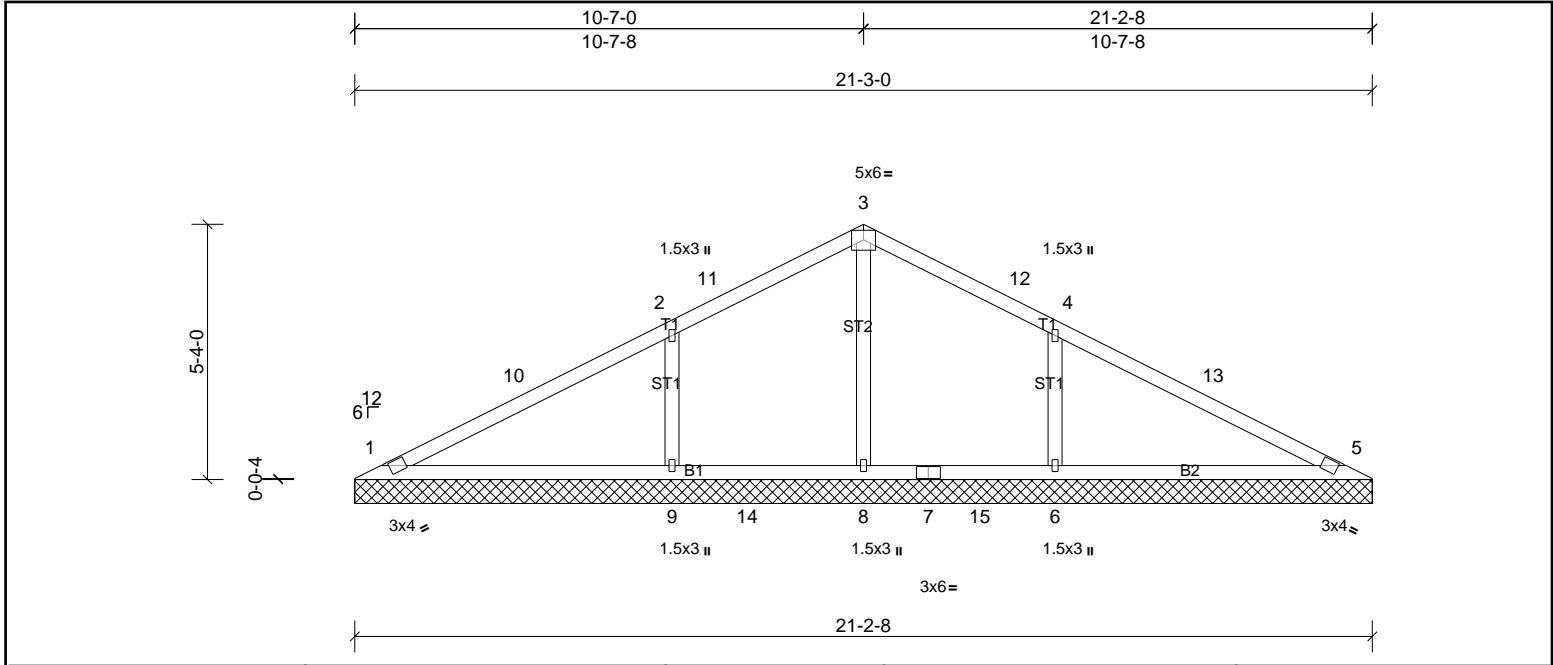
Job 72500436	Truss V2	Truss Type Truss	Qty 1	Ply 1	MUNGO HOMES - TELFAIR A ROOF Job Reference (optional)
-----------------	-------------	---------------------	----------	----------	--

UFP Mid Atlantic LLC, 5631 S. NC 62, Burlington, NC, Joy Perry

Run: 8.810 S Sep 13 2024 Print: 8.810 S Sep 13 2024 MiTek Industries, Inc. Tue Jan 07 11:49:26

Page: 1

ID:a?q6?71yTv6SHVH?OIzqv2z8gqv-1HK6EnzIHhQ3IjW44I0JeKKLXPjJZCULkkgIZixmdd



Loading	(psf)	Spacing	2-0-0	CSI	DEFL	in	(loc)	l/defl	L/d	PLATES	GRIP	
TCLL (roof)	20.0	Plate Grip DOL	1.15	TC	0.44	Vert(LL)	n/a	-	n/a	999	MT20	244/190
TCDL	10.0	Lumber DOL	1.15	BC	0.29	Vert(TL)	n/a	-	n/a	999		
BCLL	0.0*	Rep Stress Incr	YES	WB	0.09	Horiz(TL)	0.00	5	n/a	n/a		
BCDL	10.0	Code	IRC2015/TPI2014	Matrix-SH							Weight: 80 lb	FT = 20%

LUMBER		BRACING	
TOP CHORD	2x4 SP No.2	TOP CHORD	Structural wood sheathing directly applied or 6-0-0 oc purlins.
BOT CHORD	2x4 SP No.2	BOT CHORD	Rigid ceiling directly applied or 10-0-0 oc bracing.
OTHERS	2x4 SP No.3		

REACTIONS	
	All bearings 21-3-0.
(lb) - Max Horiz	1=88 (LC 14)
Max Uplift	All uplift 100 (lb) or less at joint(s) 1, 5 except 6=-173 (LC 11), 9=-173 (LC 10)
Max Grav	All reactions 250 (lb) or less at joint(s) 1, 5 except 6=517 (LC 22), 8=290 (LC 20), 9=517 (LC 21)

FORCES	
	(lb) - Max. Comp./Max. Ten. - All forces 250 (lb) or less except when shown.
WEBS	2-9=-364/221, 4-6=-364/220

- NOTES**
- Unbalanced roof live loads have been considered for this design.
 - Wind: ASCE 7-10; Vult=130mph (3-second gust) Vasd=103mph; TCCL=6.0psf; BCDL=6.0psf; h=35ft; Cat. II; Exp B; Enclosed; MWFRS (envelope) exterior zone and C-C Exterior (2) 0-7-9 to 3-7-9, Interior (1) 3-7-9 to 7-8-0, Exterior (2) 7-8-0 to 13-8-0, Interior (1) 13-8-0 to 17-8-7, Exterior (2) 17-8-7 to 20-8-7 zone; cantilever left and right exposed; end vertical left and right exposed; C-C for members and forces & MWFRS for reactions shown; Lumber DOL=1.60 plate grip DOL=1.60
 - Gable requires continuous bottom chord bearing.
 - This truss has been designed for a 10.0 psf bottom chord live load nonconcurrent with any other live loads.
 - * This truss has been designed for a live load of 20.0psf on the bottom chord in all areas where a rectangle 3-06-00 tall by 2-00-00 wide will fit between the bottom chord and any other members, with BCDL = 10.0psf.
 - Provide mechanical connection (by others) of truss to bearing plate capable of withstanding 100 lb uplift at joint(s) 1, 5 except (j=lb) 9=173, 6=173.
 - This truss is designed in accordance with the 2015 International Residential Code sections R502.11.1 and R802.10.2 and referenced standard ANSI/TPI 1.



This design is based upon parameters shown, and is for an individual building component to be installed and loaded vertically. Applicability of design parameters and proper incorporation of component is responsibility of the Building Designer. Building Designer shall verify all design information on this sheet for conformance with conditions and requirements of the specific building and governing codes and ordinances. Building Designer accepts responsibility for the correctness or accuracy of the design information as it may relate to a specific building. Certification is valid only when truss is fabricated by a UFPI plant. Bracing shown is for lateral support of truss members only and does not replace erection and permanent bracing. Refer to Building Component Safety Information (BCSI) for general guidance regarding storage, erection and bracing available from SBCA and Truss Plate Institute.



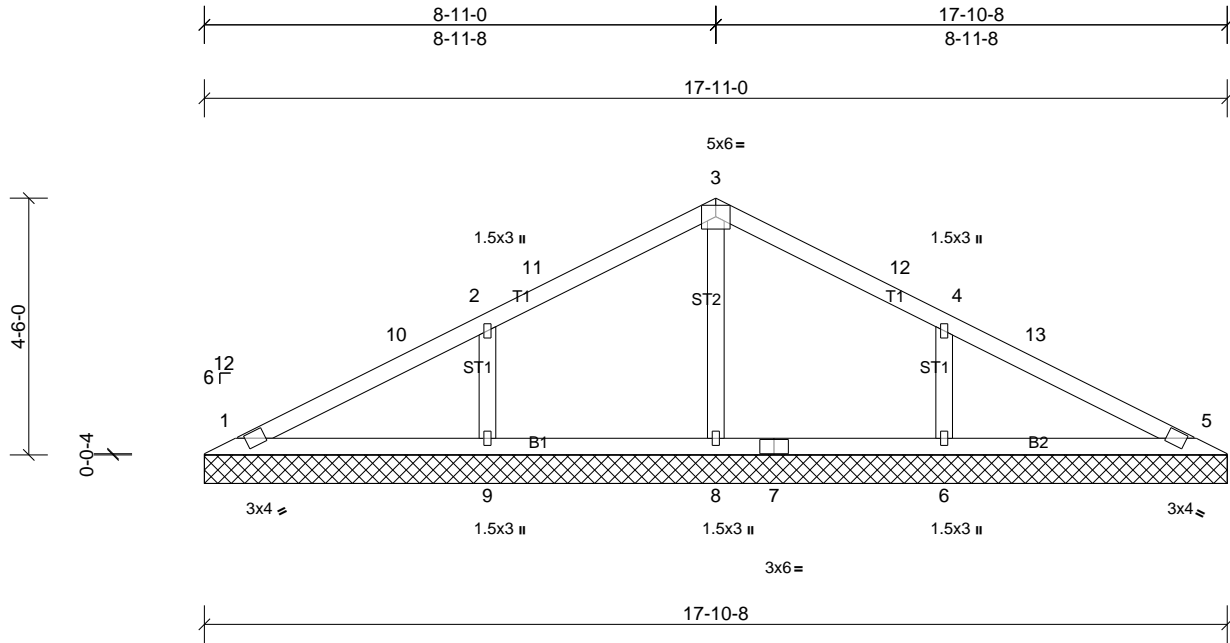
Job 72500436	Truss V3	Truss Type Truss	Qty 1	Ply 1	MUNGO HOMES - TELFAIR A ROOF Job Reference (optional)
-----------------	-------------	---------------------	----------	----------	--

UFP Mid Atlantic LLC, 5631 S. NC 62, Burlington, NC, Joy Perry

Run: 8.81 S Sep 13 2024 Print: 8.810 S Sep 13 2024 MiTek Industries, Inc. Tue Jan 07 11:49:27

Page: 1

ID:a?q6?71yTv6SHVH?OIZqv2z8gqv-1HK6EnzHhQ3JjW44I0JeKKONP_RZCsLkkgIZixmdd



Loading	(psf)	Spacing	2-0-0	CSI	DEFL	in	(loc)	l/defl	L/d	PLATES	GRIP
TCLL (roof)	20.0	Plate Grip DOL	1.15	TC	0.25	Vert(LL)	n/a	-	n/a	999	244/190
TCDL	10.0	Lumber DOL	1.15	BC	0.15	Vert(TL)	n/a	-	n/a	999	
BCLL	0.0*	Rep Stress Incr	YES	WB	0.07	Horiz(TL)	0.00	5	n/a	n/a	
BCDL	10.0	Code	IRC2015/TPI2014	Matrix-SH						Weight: 66 lb	FT = 20%

LUMBER	BRACING
TOP CHORD 2x4 SP No.2	TOP CHORD Structural wood sheathing directly applied or 6-0-0 oc purlins.
BOT CHORD 2x4 SP No.2	BOT CHORD Rigid ceiling directly applied or 10-0-0 oc bracing.
OTHERS 2x4 SP No.3	

REACTIONS
All bearings 17-11-0.
(lb) - Max Horiz 1=73 (LC 10)
Max Uplift All uplift 100 (lb) or less at joint(s) 1, 5 except 6=-139 (LC 11), 9=-139 (LC 10)
Max Grav All reactions 250 (lb) or less at joint(s) 1, 5, 8 except 6=404 (LC 22), 9=404 (LC 21)

FORCES
(lb) - Max. Comp./Max. Ten. - All forces 250 (lb) or less except when shown.

WEBS
2-9=-294/180, 4-6=-294/180

- NOTES**
- Unbalanced roof live loads have been considered for this design.
 - Wind: ASCE 7-10; Vult=130mph (3-second gust) Vasd=103mph; TCCL=6.0psf; BCDL=6.0psf; h=35ft; Cat. II; Exp B; Enclosed; MWFRS (envelope) exterior zone and C-C Exterior (2) 0-7-9 to 3-7-9, Interior (1) 3-7-9 to 6-0-0, Exterior (2) 6-0-0 to 12-0-0, Interior (1) 12-0-0 to 14-4-7, Exterior (2) 14-4-7 to 17-4-7 zone; cantilever left and right exposed; end vertical left and right exposed; C-C for members and forces & MWFRS for reactions shown; Lumber DOL=1.60 plate grip DOL=1.60
 - Gable requires continuous bottom chord bearing.
 - This truss has been designed for a 10.0 psf bottom chord live load nonconcurrent with any other live loads.
 - * This truss has been designed for a live load of 20.0psf on the bottom chord in all areas where a rectangle 3-06-00 tall by 2-00-00 wide will fit between the bottom chord and any other members.
 - Provide mechanical connection (by others) of truss to bearing plate capable of withstanding 100 lb uplift at joint(s) 1, 5 except (jt=lb) 9=138, 6=138.
 - This truss is designed in accordance with the 2015 International Residential Code sections R502.11.1 and R802.10.2 and referenced standard ANSI/TPI 1.



This design is based upon parameters shown, and is for an individual building component to be installed and loaded vertically. Applicability of design parameters and proper incorporation of component is responsibility of the Building Designer. Building Designer shall verify all design information on this sheet for conformance with conditions and requirements of the specific building and governing codes and ordinances. Building Designer accepts responsibility for the correctness or accuracy of the design information as it may relate to a specific building. Certification is valid only when truss is fabricated by a UFPI plant. Bracing shown is for lateral support of truss members only and does not replace erection and permanent bracing. Refer to Building Component Safety Information (BCSI) for general guidance regarding storage, erection and bracing available from SBCA and Truss Plate Institute.



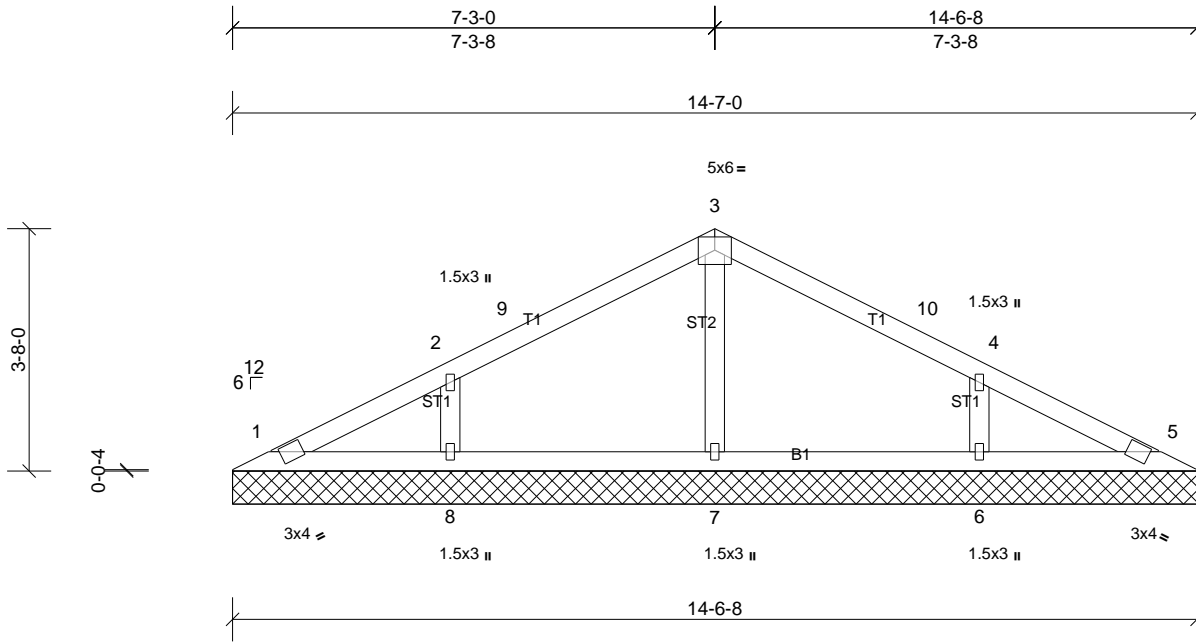
Job 72500436	Truss V4	Truss Type Truss	Qty 1	Ply 1	MUNGO HOMES - TELFAIR A ROOF Job Reference (optional)
-----------------	-------------	---------------------	----------	----------	--

UFP Mid Atlantic LLC, 5631 S. NC 62, Burlington, NC, Joy Perry

Run: 8.81 S Sep 13 2024 Print: 8.810 S Sep 13 2024 MiTek Industries, Inc. Tue Jan 07 11:49:27

Page: 1

ID:a?q6?71yTv6SHVH?OIzqv2z8gqv-VTuUR7_x2?Ywvt5HeTXBYtaOpLBIgUyOQI58zxmde



Loading	(psf)	Spacing	2-0-0	CSI	DEFL	in	(loc)	l/defl	L/d	PLATES	GRIP	
TCLL (roof)	20.0	Plate Grip DOL	1.15	TC	0.17	Vert(LL)	n/a	-	n/a	999	MT20	244/190
TCDL	10.0	Lumber DOL	1.15	BC	0.12	Vert(TL)	n/a	-	n/a	999		
BCLL	0.0*	Rep Stress Incr	YES	WB	0.06	Horiz(TL)	0.00	5	n/a	n/a		
BCDL	10.0	Code	IRC2015/TPI2014	Matrix-SH							Weight: 52 lb	FT = 20%

LUMBER
TOP CHORD 2x4 SP No.2
BOT CHORD 2x4 SP No.2
OTHERS 2x4 SP No.3

BRACING
TOP CHORD Structural wood sheathing directly applied or 6-0-0 oc purlins.
BOT CHORD Rigid ceiling directly applied or 10-0-0 oc bracing.

REACTIONS All bearings 14-7-0.
(lb) - Max Horiz 1=59 (LC 10)
Max Uplift All uplift 100 (lb) or less at joint(s) 1 except 6=113 (LC 11), 8=113 (LC 10)
Max Grav All reactions 250 (lb) or less at joint(s) 1, 5 except 6=320 (LC 22), 7=282 (LC 1), 8=320 (LC 21)

FORCES (lb) - Max. Comp./Max. Ten. - All forces 250 (lb) or less except when shown.

- NOTES**
- 1) Unbalanced roof live loads have been considered for this design.
 - 2) Wind: ASCE 7-10; Vult=130mph (3-second gust) Vasd=103mph; TCCL=6.0psf; BCDL=6.0psf; h=35ft; Cat. II; Exp B; Enclosed; MWFRS (envelope) exterior zone and C-C Exterior (2) 0-7-9 to 3-4-0, Interior (1) 3-4-0 to 4-4-0, Exterior (2) 4-4-0 to 10-4-0, Interior (1) 10-4-0 to 11-0-7, Exterior (2) 11-0-7 to 14-0-7 zone; cantilever left and right exposed; end vertical left and right exposed; C-C for members and forces & MWFRS for reactions shown; Lumber DOL=1.60 plate grip DOL=1.60
 - 3) Gable requires continuous bottom chord bearing.
 - 4) This truss has been designed for a 10.0 psf bottom chord live load nonconcurrent with any other live loads.
 - 5) * This truss has been designed for a live load of 20.0psf on the bottom chord in all areas where a rectangle 3-06-00 tall by 2-00-00 wide will fit between the bottom chord and any other members.
 - 6) Provide mechanical connection (by others) of truss to bearing plate capable of withstanding 100 lb uplift at joint(s) 1 except (it=lb) 8=113, 6=113.
 - 7) This truss is designed in accordance with the 2015 International Residential Code sections R502.11.1 and R802.10.2 and referenced standard ANSI/TPI 1.



This design is based upon parameters shown, and is for an individual building component to be installed and loaded vertically. Applicability of design parameters and proper incorporation of component is responsibility of the Building Designer. Building Designer shall verify all design information on this sheet for conformance with conditions and requirements of the specific building and governing codes and ordinances. Building Designer accepts responsibility for the correctness or accuracy of the design information as it may relate to a specific building. Certification is valid only when truss is fabricated by a UFPI plant. Bracing shown is for lateral support of truss members only and does not replace erection and permanent bracing. Refer to Building Component Safety Information (BCSI) for general guidance regarding storage, erection and bracing available from SBCA and Truss Plate Institute.



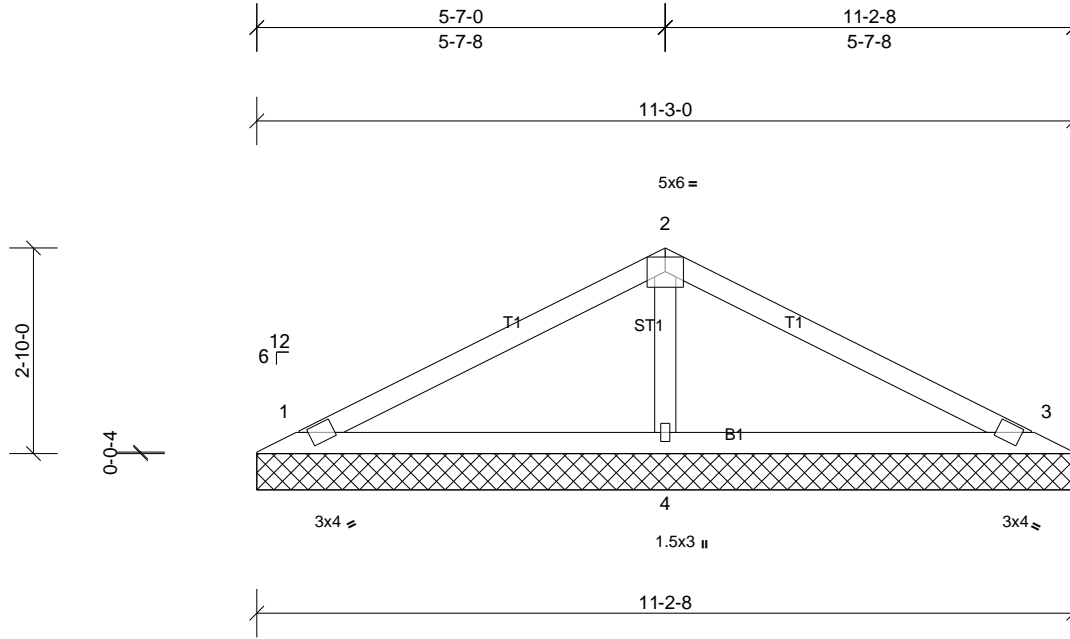
Job 72500436	Truss V5	Truss Type Truss	Qty 1	Ply 1	MUNGO HOMES - TELFAIR A ROOF Job Reference (optional)
-----------------	-------------	---------------------	----------	----------	--

UFP Mid Atlantic LLC, 5631 S. NC 62, Burlington, NC, Joy Perry

Run: 8.81 S Sep 13 2024 Print: 8.810 S Sep 13 2024 MiTek Industries, Inc. Tue Jan 07 11:49:27

Page: 1

ID:a?q6?71yTv6SHVH?OIzqv2z8gqv-VTuUR7_x2?Ywvt5HeTXBYtX1pJ7IgbUyOQI58zxmde



Loading	(psf)	Spacing	2-0-0	CSI	DEFL	in	(loc)	I/defl	L/d	PLATES	GRIP	
TCLL (roof)	20.0	Plate Grip DOL	1.15	TC	0.32	Vert(LL)	n/a	-	n/a	999	MT20	244/190
TCDL	10.0	Lumber DOL	1.15	BC	0.25	Vert(TL)	n/a	-	n/a	999		
BCLL	0.0*	Rep Stress Incr	YES	WB	0.06	Horiz(TL)	0.00	3	n/a	n/a		
BCDL	10.0	Code	IRC2015/TPI2014	Matrix-SH							Weight: 37 lb	FT = 20%

LUMBER
TOP CHORD 2x4 SP No.2
BOT CHORD 2x4 SP No.2
OTHERS 2x4 SP No.3

BRACING
TOP CHORD Structural wood sheathing directly applied or 6-0-0 oc purlins.
BOT CHORD Rigid ceiling directly applied or 10-0-0 oc bracing.

REACTIONS (lb/size) 1=180/11-3-0, (min. 0-1-8), 3=180/11-3-0, (min. 0-1-8), 4=445/11-3-0, (min. 0-1-8)
Max Horiz 1=44 (LC 11)
Max Uplift 1=39 (LC 10), 3=47 (LC 11), 4=32 (LC 10)
Max Grav 1=184 (LC 21), 3=184 (LC 22), 4=445 (LC 1)

FORCES (lb) - Max. Comp./Max. Ten. - All forces 250 (lb) or less except when shown.
WEBS 2-4=-277/145

- NOTES**
- 1) Unbalanced roof live loads have been considered for this design.
 - 2) Wind: ASCE 7-10; Vult=130mph (3-second gust) Vasd=103mph; TCCL=6.0psf; BCDL=6.0psf; h=35ft; Cat. II; Exp B; Enclosed; MWFRS (envelope) exterior zone and C-C Exterior (2) zone; cantilever left and right exposed; end vertical left and right exposed; C-C for members and forces & MWFRS for reactions shown; Lumber DOL=1.60 plate grip DOL=1.60
 - 3) Gable requires continuous bottom chord bearing.
 - 4) This truss has been designed for a 10.0 psf bottom chord live load nonconcurrent with any other live loads.
 - 5) * This truss has been designed for a live load of 20.0psf on the bottom chord in all areas where a rectangle 3-06-00 tall by 2-00-00 wide will fit between the bottom chord and any other members.
 - 6) Provide mechanical connection (by others) of truss to bearing plate capable of withstanding 39 lb uplift at joint 1, 47 lb uplift at joint 3 and 32 lb uplift at joint 4.
 - 7) This truss is designed in accordance with the 2015 International Residential Code sections R502.11.1 and R802.10.2 and referenced standard ANSI/TPI 1.



This design is based upon parameters shown, and is for an individual building component to be installed and loaded vertically. Applicability of design parameters and proper incorporation of component is responsibility of the Building Designer. Building Designer shall verify all design information on this sheet for conformance with conditions and requirements of the specific building and governing codes and ordinances. Building Designer accepts responsibility for the correctness or accuracy of the design information as it may relate to a specific building. Certification is valid only when truss is fabricated by a UFPI plant. Bracing shown is for lateral support of truss members only and does not replace erection and permanent bracing. Refer to Building Component Safety Information (BCSI) for general guidance regarding storage, erection and bracing available from SBCA and Truss Plate Institute.



Job 72500436	Truss V6	Truss Type Truss	Qty 1	Ply 1	MUNGO HOMES - TELFAIR A ROOF Job Reference (optional)
-----------------	-------------	---------------------	----------	----------	--

UFP Mid Atlantic LLC, 5631 S. NC 62, Burlington, NC, Joy Perry

Run: 8.81 S Sep 13 2024 Print: 8.810 S Sep 13 2024 MiTek Industries, Inc. Tue Jan 07 11:49:27

Page: 1

ID:a?q6?71yTv6SHVH?OIZqv2z8gqv-VTuUR7_x2?Ywvt5HeTXyBYzGpHdlg9UyOQI58zxmde

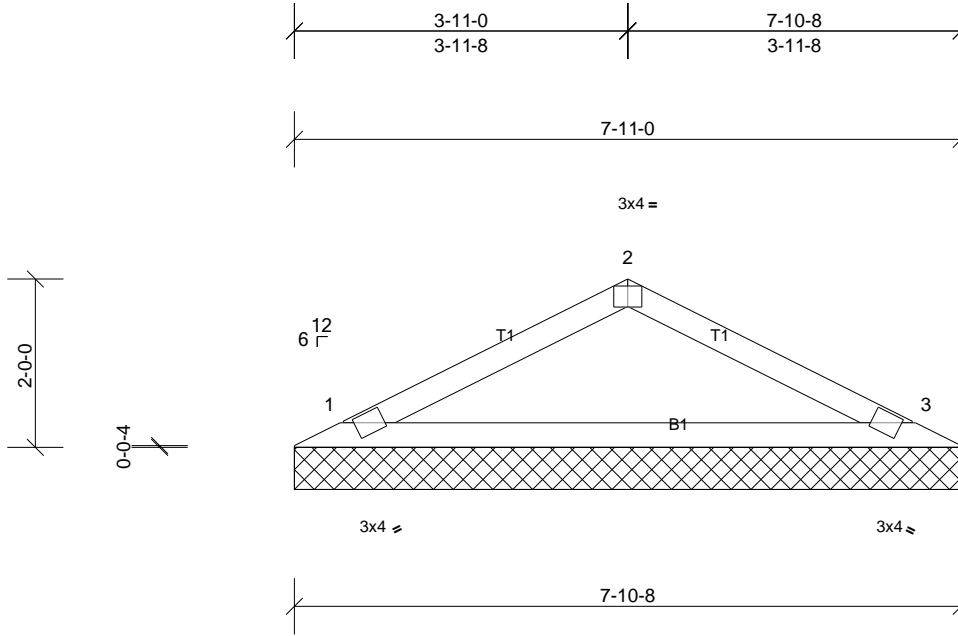


Plate Offsets (X, Y): [2:0-2-0,Edge]

Loading	(psf)	Spacing	2-0-0	CSI	DEFL	in	(loc)	l/defl	L/d	PLATES	GRIP	
TCLL (roof)	20.0	Plate Grip DOL	1.15	TC	0.25	Vert(LL)	n/a	-	n/a	999	MT20	244/190
TCDL	10.0	Lumber DOL	1.15	BC	0.34	Vert(TL)	n/a	-	n/a	999		
BCLL	0.0*	Rep Stress Incr	YES	WB	0.00	Horiz(TL)	0.00	3	n/a	n/a		
BCDL	10.0	Code	IRC2015/TPI2014	Matrix-SH							Weight: 23 lb	FT = 20%

LUMBER

TOP CHORD 2x4 SP No.2
BOT CHORD 2x4 SP No.2

BRACING

TOP CHORD Structural wood sheathing directly applied or 6-0-0 oc purlins.
BOT CHORD Rigid ceiling directly applied or 10-0-0 oc bracing.

REACTIONS

(lb/size) 1=270/7-11-0, (min. 0-1-8), 3=270/7-11-0, (min. 0-1-8)
Max Horiz 1=30 (LC 11)
Max Uplift 1=37 (LC 10), 3=37 (LC 11)

FORCES

(lb) - Max. Comp./Max. Ten. - All forces 250 (lb) or less except when shown.

TOP CHORD 1-2=-311/161, 2-3=-311/161
BOT CHORD 1-3=-87/257

NOTES

- Unbalanced roof live loads have been considered for this design.
- Wind: ASCE 7-10; Vult=130mph (3-second gust) Vasd=103mph; TCCL=6.0psf; BCDL=6.0psf; h=35ft; Cat. II; Exp B; Enclosed; MWFRS (envelope) exterior zone and C-C Exterior (2) zone; cantilever left and right exposed; end vertical left and right exposed; C-C for members and forces & MWFRS for reactions shown; Lumber DOL=1.60 plate grip DOL=1.60
- Gable requires continuous bottom chord bearing.
- This truss has been designed for a 10.0 psf bottom chord live load nonconcurrent with any other live loads.
- * This truss has been designed for a live load of 20.0psf on the bottom chord in all areas where a rectangle 3-06-00 tall by 2-00-00 wide will fit between the bottom chord and any other members.
- Provide mechanical connection (by others) of truss to bearing plate capable of withstanding 37 lb uplift at joint 1 and 37 lb uplift at joint 3.
- This truss is designed in accordance with the 2015 International Residential Code sections R502.11.1 and R802.10.2 and referenced standard ANSI/TPI 1.



This design is based upon parameters shown, and is for an individual building component to be installed and loaded vertically. Applicability of design parameters and proper incorporation of component is responsibility of the Building Designer. Building Designer shall verify all design information on this sheet for conformance with conditions and requirements of the specific building and governing codes and ordinances. Building Designer accepts responsibility for the correctness or accuracy of the design information as it may relate to a specific building. Certification is valid only when truss is fabricated by a UFPI plant. Bracing shown is for lateral support of truss members only and does not replace erection and permanent bracing. Refer to Building Component Safety Information (BCSI) for general guidance regarding storage, erection and bracing available from SBCA and Truss Plate Institute.



Job 72500436	Truss V7	Truss Type Truss	Qty 1	Ply 1	MUNGO HOMES - TELFAIR A ROOF Job Reference (optional)
-----------------	-------------	---------------------	----------	----------	--

UFP Mid Atlantic LLC, 5631 S. NC 62, Burlington, NC, Joy Perry

Run: 8.81 S Sep 13 2024 Print: 8.810 S Sep 13 2024 MiTek Industries, Inc. Tue Jan 07 11:49:27

Page: 1

ID:a?q6?71yTv6SHVH?OIZqv2z8gqv-VTuUR7_x2?Ywvt5HeTXBYtclpKnl9UyOQI58zxmcd

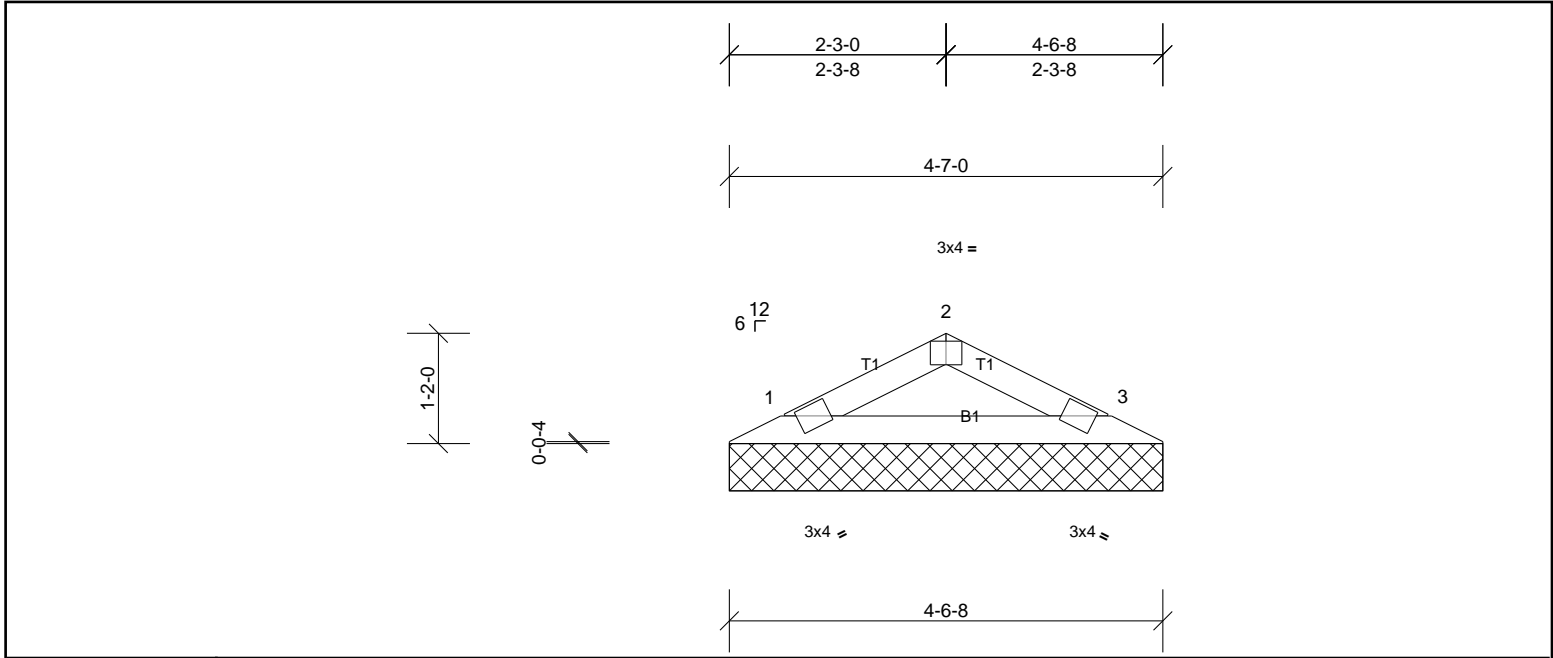


Plate Offsets (X, Y): [2:0-2-0,Edge]

Loading	(psf)	Spacing	2-0-0	CSI	DEFL	in	(loc)	l/defl	L/d	PLATES	GRIP	
TCLL (roof)	20.0	Plate Grip DOL	1.15	TC	0.05	Vert(LL)	n/a	-	n/a	999	MT20	244/190
TCDL	10.0	Lumber DOL	1.15	BC	0.14	Vert(TL)	n/a	-	n/a	999		
BCLL	0.0*	Rep Stress Incr	YES	WB	0.00	Horiz(TL)	0.00	3	n/a	n/a		
BCDL	10.0	Code	IRC2015/TPI2014	Matrix-P							Weight: 13 lb	FT = 20%

LUMBER		BRACING	
TOP CHORD	2x4 SP No.2	TOP CHORD	Structural wood sheathing directly applied or 4-8-0 oc purlins.
BOT CHORD	2x4 SP No.2	BOT CHORD	Rigid ceiling directly applied or 10-0-0 oc bracing.

REACTIONS	
(lb/size)	1=136/4-7-0, (min. 0-1-8), 3=136/4-7-0, (min. 0-1-8)
Max Horiz	1=15 (LC 11)
Max Uplift	1=19 (LC 10), 3=19 (LC 11)

FORCES (lb) - Max. Comp./Max. Ten. - All forces 250 (lb) or less except when shown.

- NOTES**
- Unbalanced roof live loads have been considered for this design.
 - Wind: ASCE 7-10; Vult=130mph (3-second gust) Vasd=103mph; TCDL=6.0psf; BCDL=6.0psf; h=35ft; Cat. II; Exp B; Enclosed; MWFRS (envelope) exterior zone and C-C Exterior (2) zone; cantilever left and right exposed; end vertical left and right exposed; C-C for members and forces & MWFRS for reactions shown; Lumber DOL=1.60 plate grip DOL=1.60
 - Gable requires continuous bottom chord bearing.
 - This truss has been designed for a 10.0 psf bottom chord live load nonconcurrent with any other live loads.
 - * This truss has been designed for a live load of 20.0psf on the bottom chord in all areas where a rectangle 3-06-00 tall by 2-00-00 wide will fit between the bottom chord and any other members.
 - Provide mechanical connection (by others) of truss to bearing plate capable of withstanding 19 lb uplift at joint 1 and 19 lb uplift at joint 3.
 - This truss is designed in accordance with the 2015 International Residential Code sections R502.11.1 and R802.10.2 and referenced standard ANSI/TPI 1.



This design is based upon parameters shown, and is for an individual building component to be installed and loaded vertically. Applicability of design parameters and proper incorporation of component is responsibility of the Building Designer. Building Designer shall verify all design information on this sheet for conformance with conditions and requirements of the specific building and governing codes and ordinances. Building Designer accepts responsibility for the correctness or accuracy of the design information as it may relate to a specific building. Certification is valid only when truss is fabricated by a UFPI plant. Bracing shown is for lateral support of truss members only and does not replace erection and permanent bracing. Refer to Building Component Safety Information (BCSI) for general guidance regarding storage, erection and bracing available from SBCA and Truss Plate Institute.

