

A Square Footages:

1st Floor.....	1222
2nd Floor.....	1549
Garage.....	374
Front Porch.....	28
Covered Deck.....	100
3rd Car Garage Option.....	220

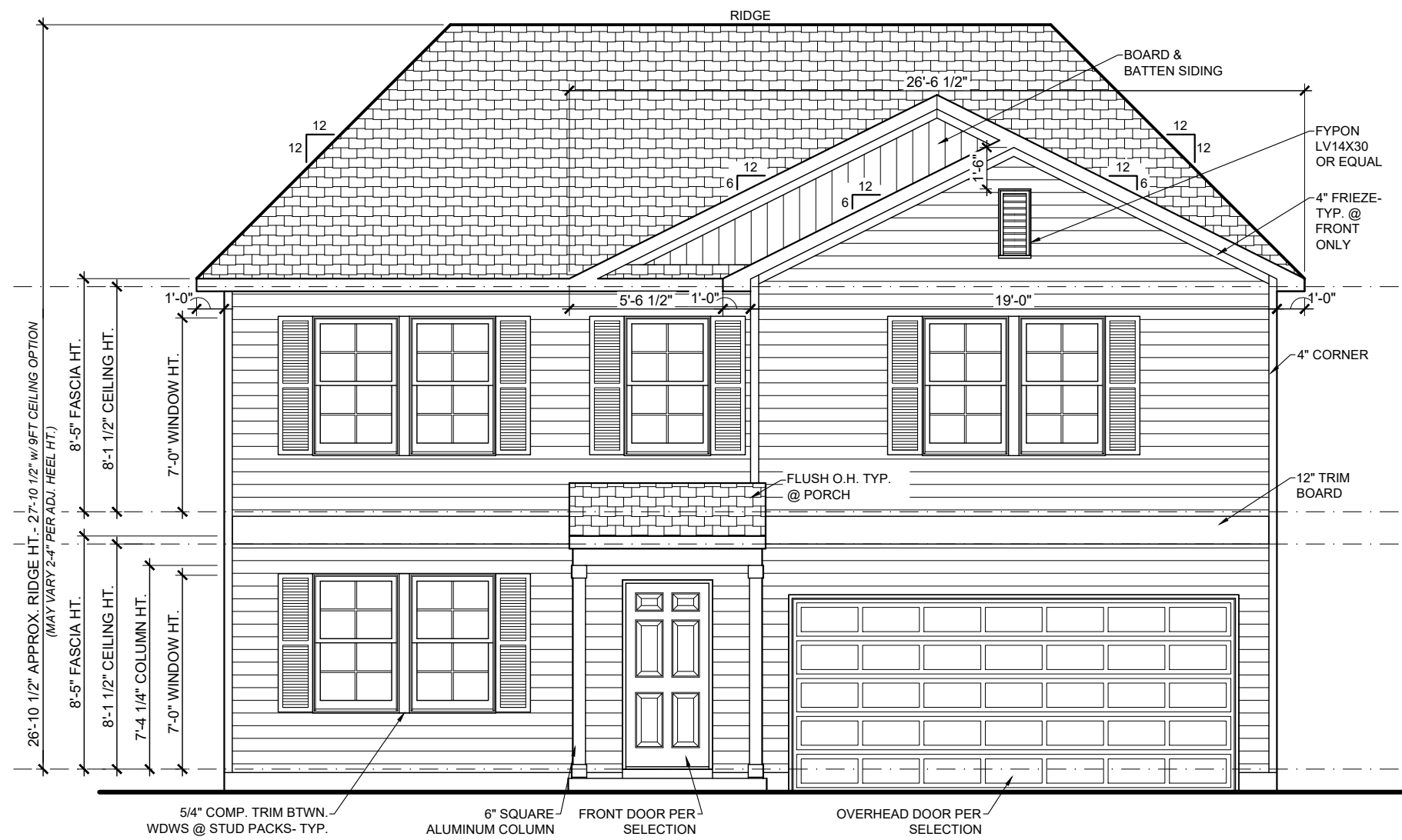
2771

42 CBR

Telfair A
 Genesis Series
 V.04.03.00.00

Rev By: cja,atw
 jsc,EB

Features:
 Drawn By: pla
 Date: 12/2/2024



FRONT ELEVATION

3/16" = 1'-0"

~~SEE SHEET AA-1 FOR STONE
 & BRICK WATER TABLE
 OPTIONS~~

- 9FT CEILING OPTION NOTES:**
1. Fascia heights from 1st Flr of main house increase 12in. Fascia heights from 2nd Flr of main house remain the same.
 2. Fascia/beam/column heights at Front and Rear Porches remain the same.
 3. Roof pitch at porch may change. Follow notes at elevations.
 4. Window heights and sizes remain the same.

9FT CEILING OPTION NOTES:

1. Fascia heights from 1st Flr of main house increase 12in.
Fascia heights from 2nd Flr of main house remain the same.
2. Fascia/beam/column heights at Front and Rear Porches remain the same.
3. Roof pitch at porch may change. Follow notes at elevations.
4. Window heights and sizes remain the same.



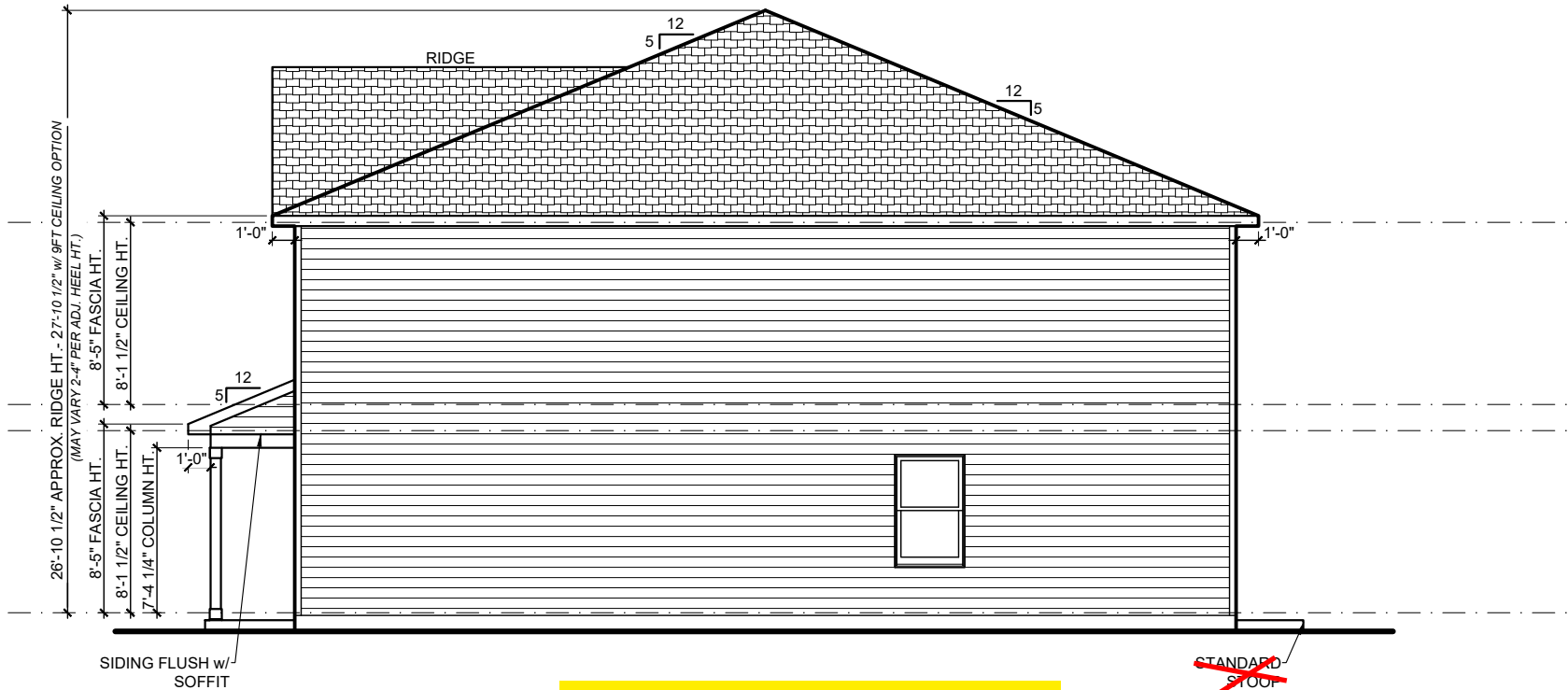
A Square Footages:

1st Floor.....	1222
2nd Floor.....	1549
Garage.....	374
Front Porch.....	28
Covered Porch Optional.....	120
3rd Car Garage Option.....	220

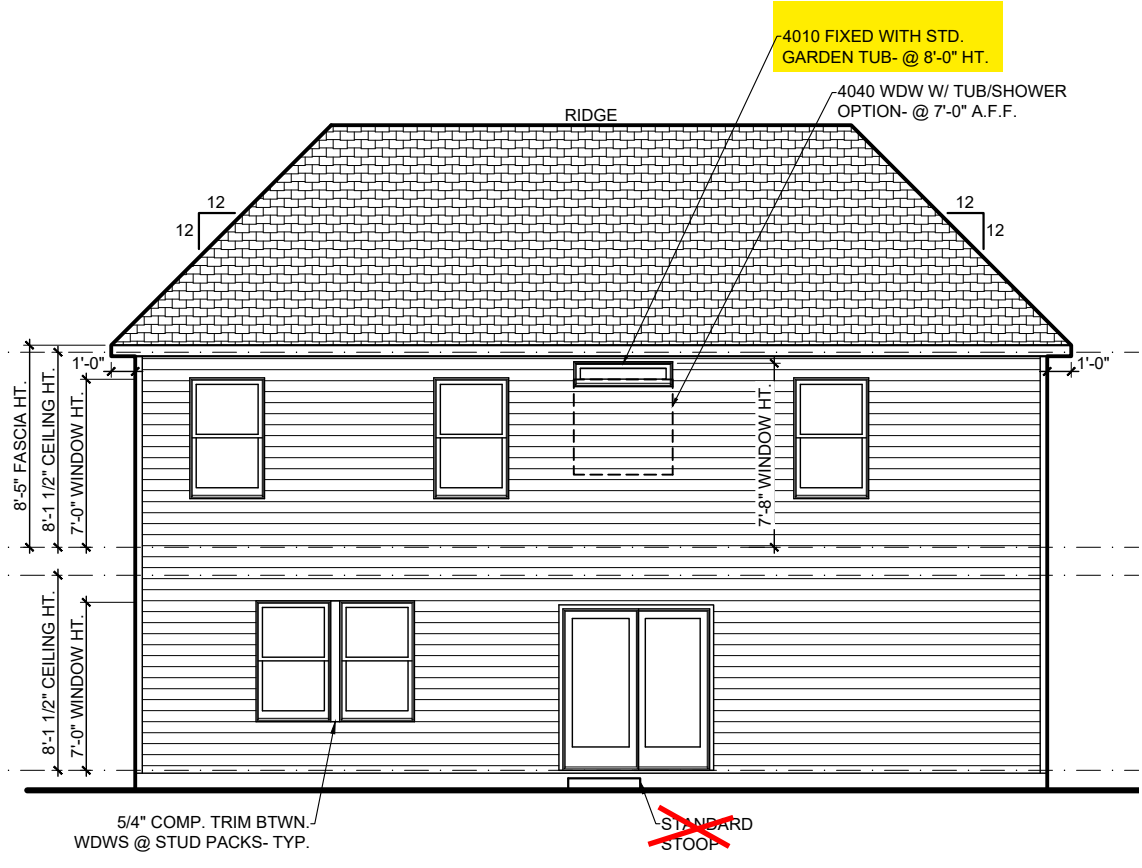
Telfair A
Genesis Series
V.04.03.00.00

Features:
Rev By: cja,atw
jsc,EB
Drawn By: pla
Date: 12/2/2024

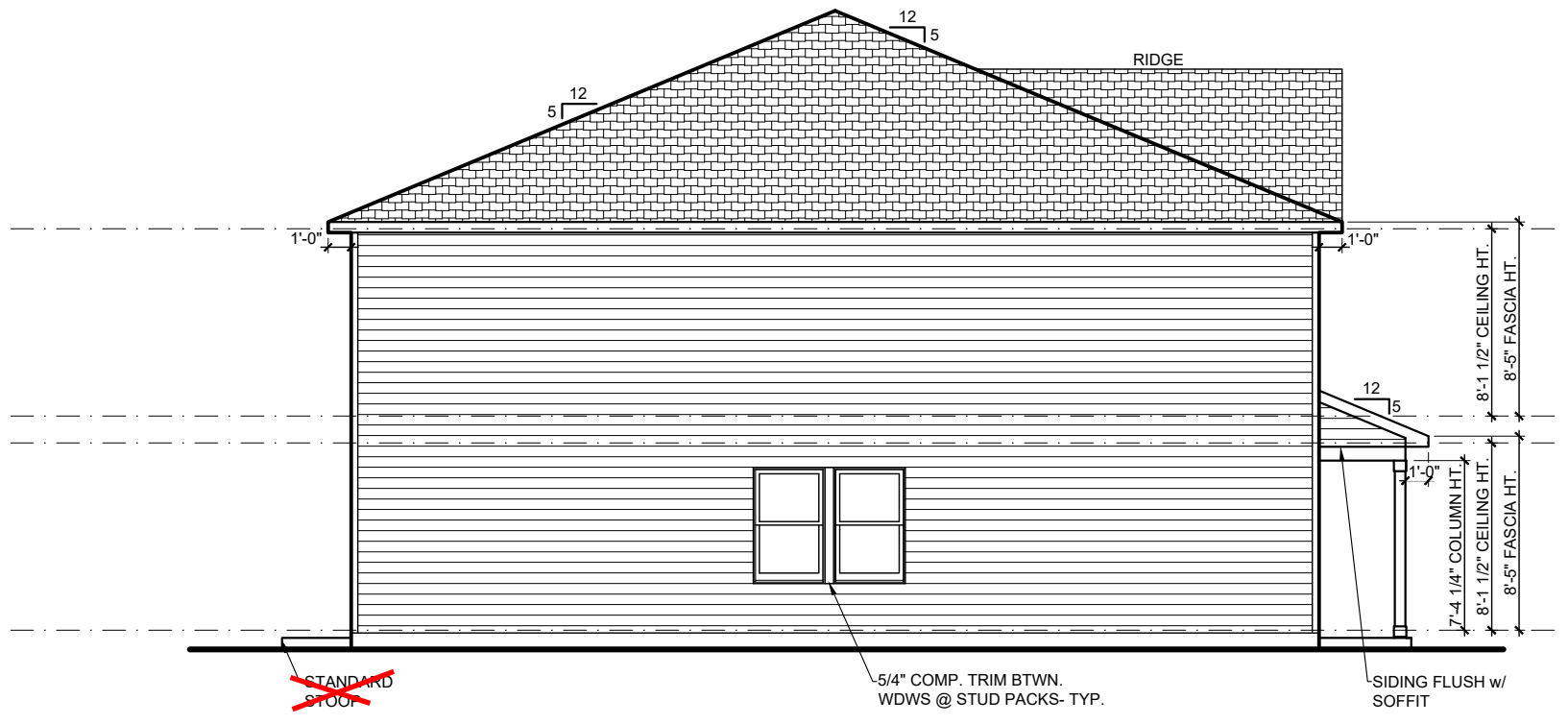
A2



RIGHT ELEVATION
1/8" = 1'-0"



REAR ELEVATION
1/8" = 1'-0"



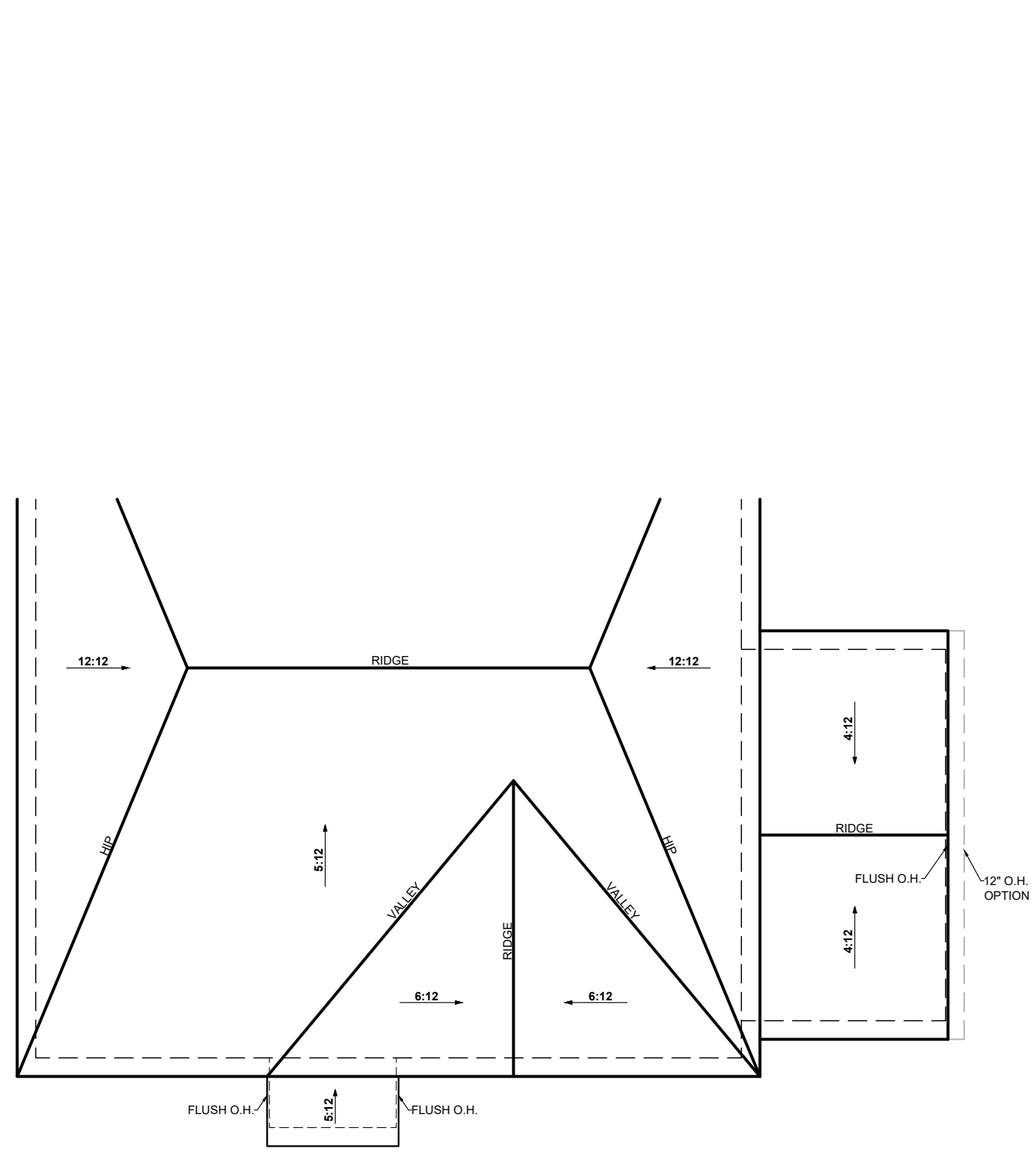
LEFT ELEVATION
1/8" = 1'-0"



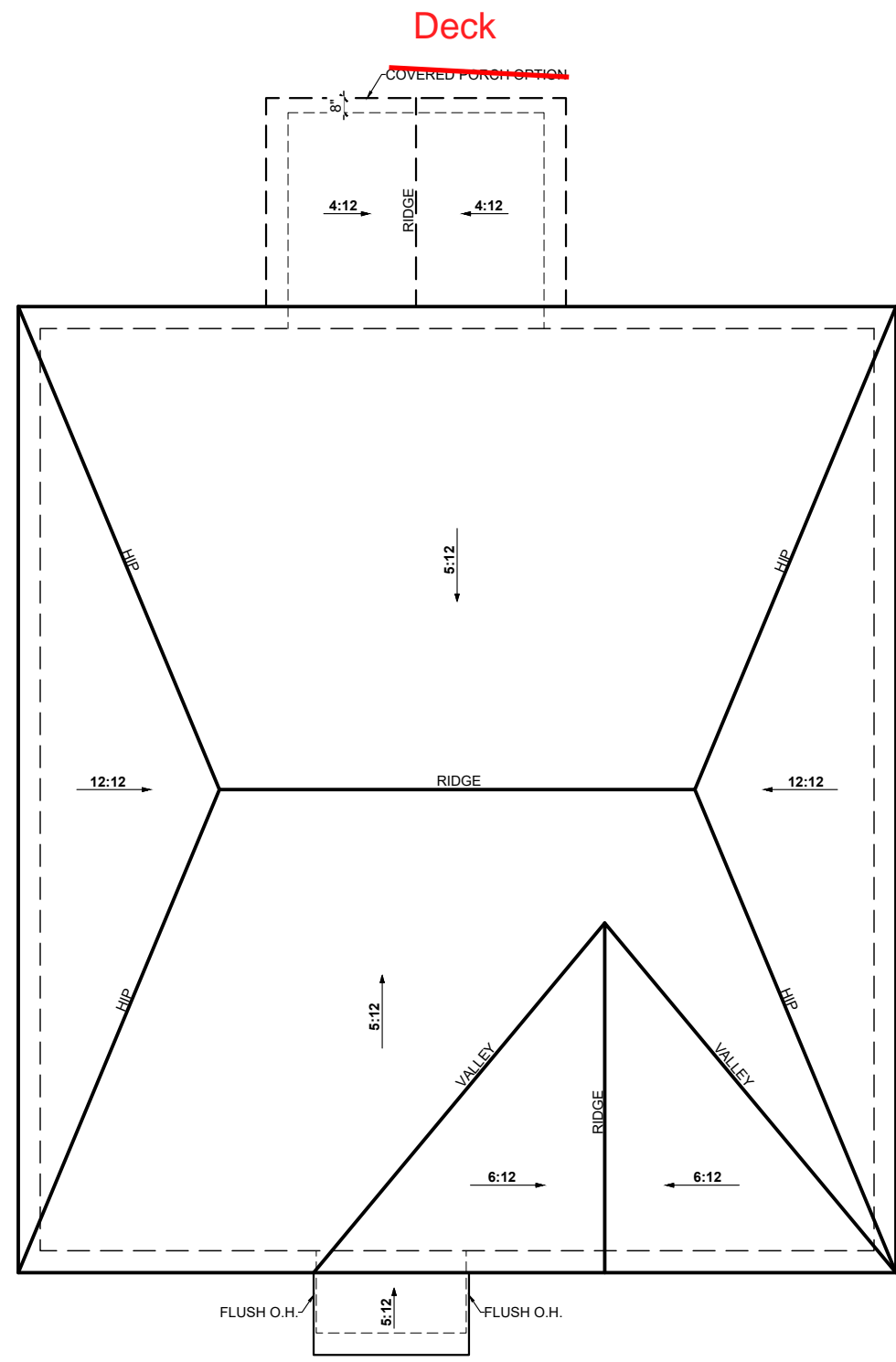
- NOTES:**
1. ALL OVERHANGS ARE 1'-0" U.N.O.
 2. ROOF PLANS *DO NOT* INCLUDE FULL BRICK OPTIONS.
 3. ROOF PLANS ARE NOT INTENDED FOR CONSTRUCTION USE. (INFORMATIONAL USE ONLY)
 4. BE SURE TO CHECK OVERHANG INFORMATION AT PLAN WHEN CALCULATING SOFFIT INTAKE

A Square Footages:

1st Floor.....	1222
2nd Floor.....	1549
Garage.....	374
Front Porch.....	28
Covered Porch Optional.....	120
3rd Car Garage Option.....	220



3rd Car Garage Option
1/8" = 1'-0"



ROOF PLAN
1/8" = 1'-0"

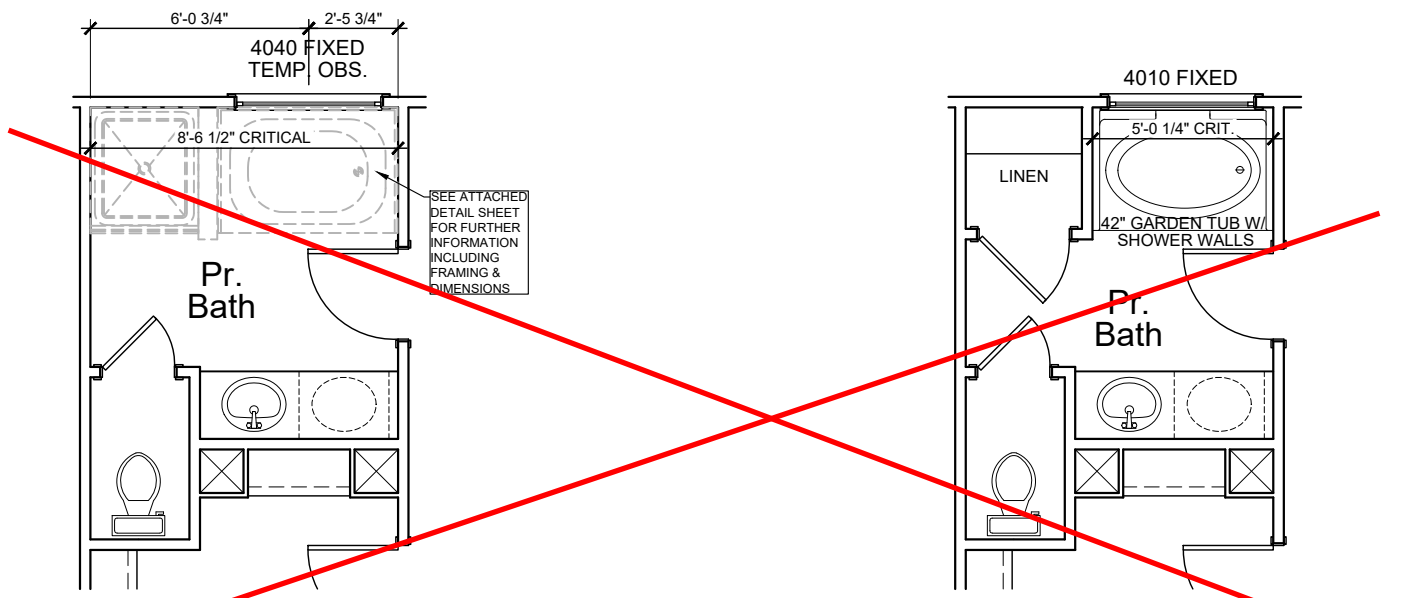
ROOF INFORMATION SUMMARY

MAIN ROOF-	
Base House:	
Attic Square Footage.....	1596 sf
Flat Soffit.....	134 lf
Ridge.....	34 lf
AREA(S) NOT AFFECTING MAIN ROOF-	
Front Porch:	
Attic Square Footage.....	26 sf
Flat Soffit.....	6 lf
Roof to Wall Ridge.....	6 lf
Rear Covered Porch Option:	
Attic Square Footage.....	115 sf
Flat Soffit.....	20 lf
Ridge.....	9 lf
3rd Car Garage Option :	
Attic Square Footage.....	220 sf
Flat Soffit.....	22 lf
Ridge.....	10 lf

Telfair A
Genesis Series
V.04.03.00.00

Features:
Drawn By: pla
Rev By: cja,atw
jsc,EB
Date: 12/2/2024

A-R 1

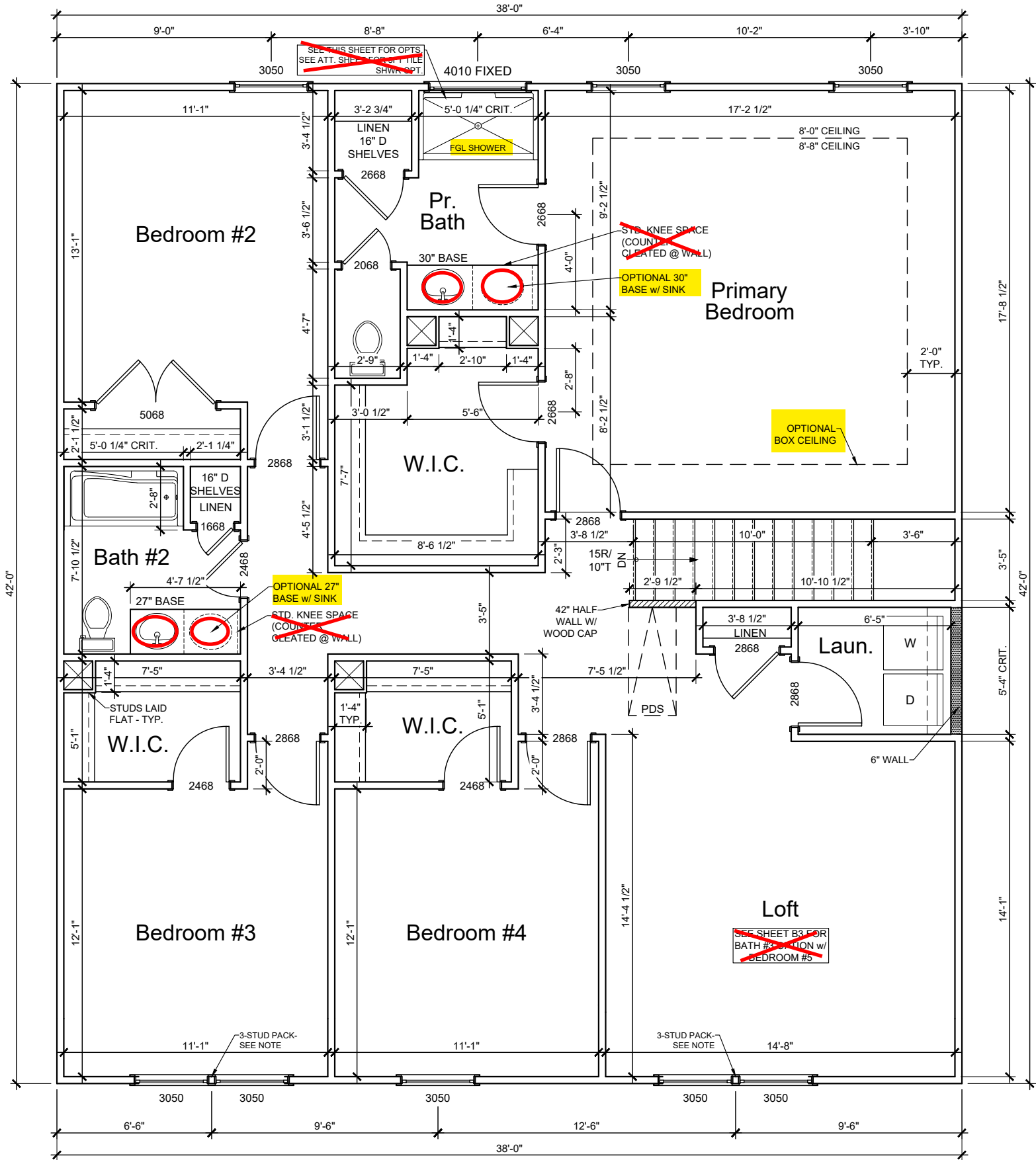


Tub/ Shower Option

FOR ORIENTATION PURPOSES ONLY
@ PRIMARY BATH @ 2ND FLOOR

Garden Tub Opt.

3/16" = 1'-0" @ Primary Bath



SECOND FLOOR
3/16" = 1'-0"

3- STUD PACK NOTE:
ALL FRAMING BETWEEN WINDOWS TO BE WRAPPED IN ICE & WATER SHIELD OR OTHER WEATHER RESISTANT BARRIER BEFORE WINDOWS ARE INSTALLED. MAINTAIN DRAINAGE PLAN FROM TOP TO BOTTOM WITH HOUSEWRAP- TYPICAL.

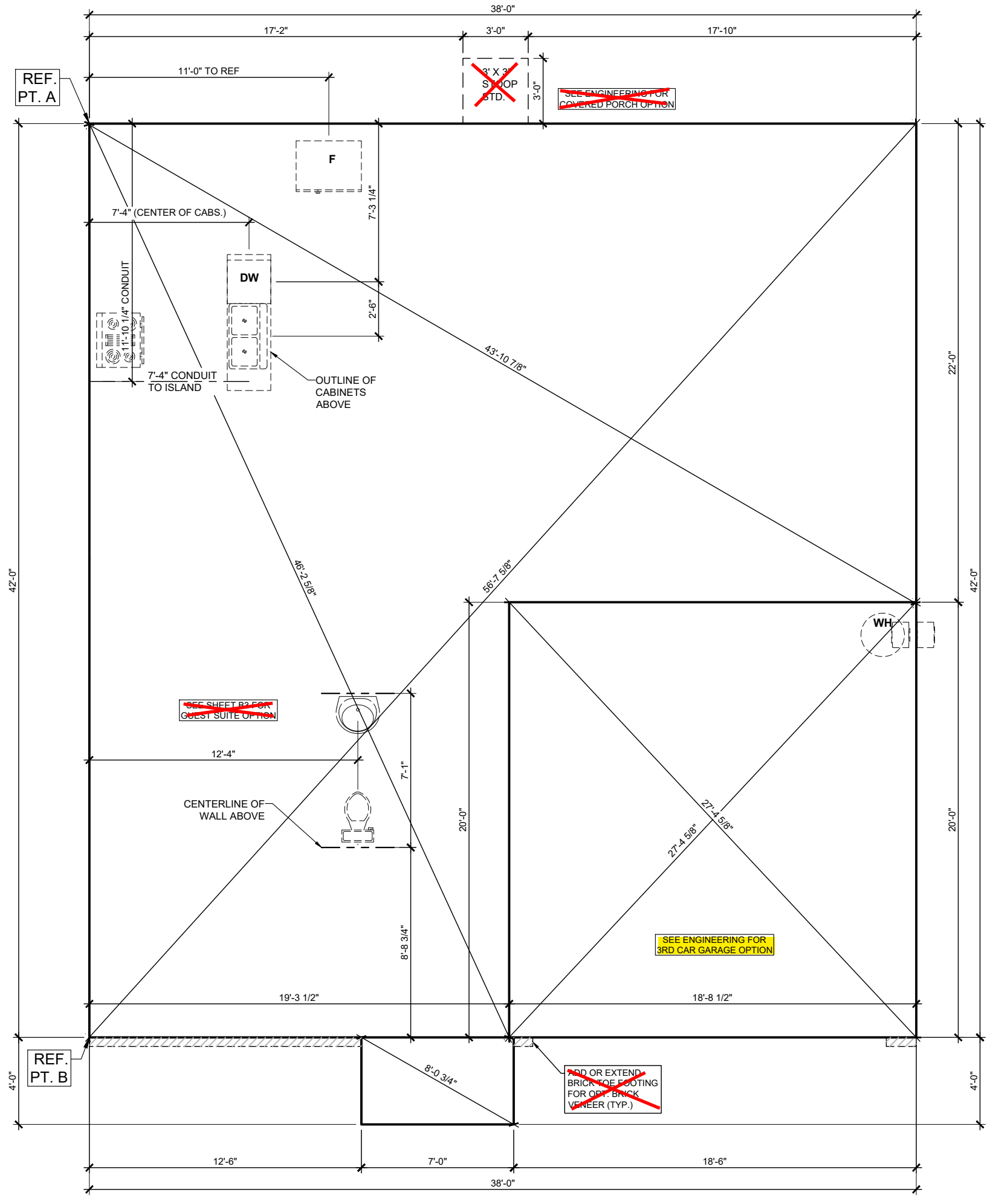
B2	Features:
	Drawn By: pla Rev By: cja, atw jsc, EB
	Date: 12/2/2024

Telfair A
Genesis Series
v.04.03.00.00

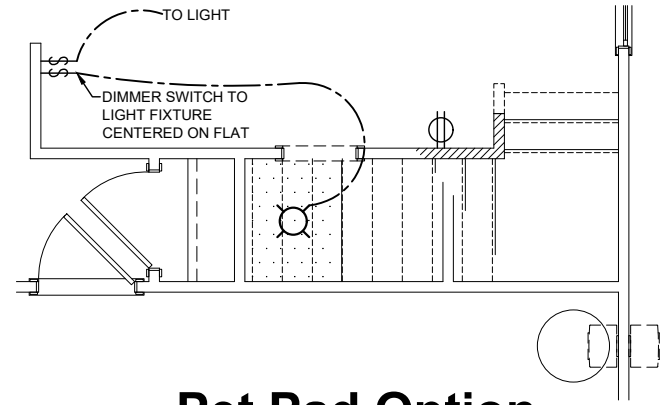
1st Floor.....	1222
2nd Floor.....	1549
Garage.....	374
Front Porch.....	28
Covered Porch Optional.....	120
3rd Car Garage Option.....	220

A Square Footages:

- NOTES:**
1. SEE ENGINEERING FOR STRUCTURAL INFORMATION
 2. CONTROL JOINTS
 - PROVIDE CONTROL JOINTS AT ALL INSIDE CORNERS OF SLAB EDGES, AND OTHER LOCATIONS WHERE SLAB CRACKS ARE LIKELY TO DEVELOP.
 - JOINTS SHALL BE LOCATED @ 10'-0" O.C. (RECOMMENDED) OR 15'-0" O.C. (MAXIMUM).
 - JOINT GRID PATTERN SHALL BE AS CLOSE TO SQUARES AS POSSIBLE (1:1 RATIO), WITH A MAXIMUM OF 1:1.5 RATIO.
 - CONTROL JOINTS SHALL NOT BE INSTALLED IN STRUCTURAL SLABS.

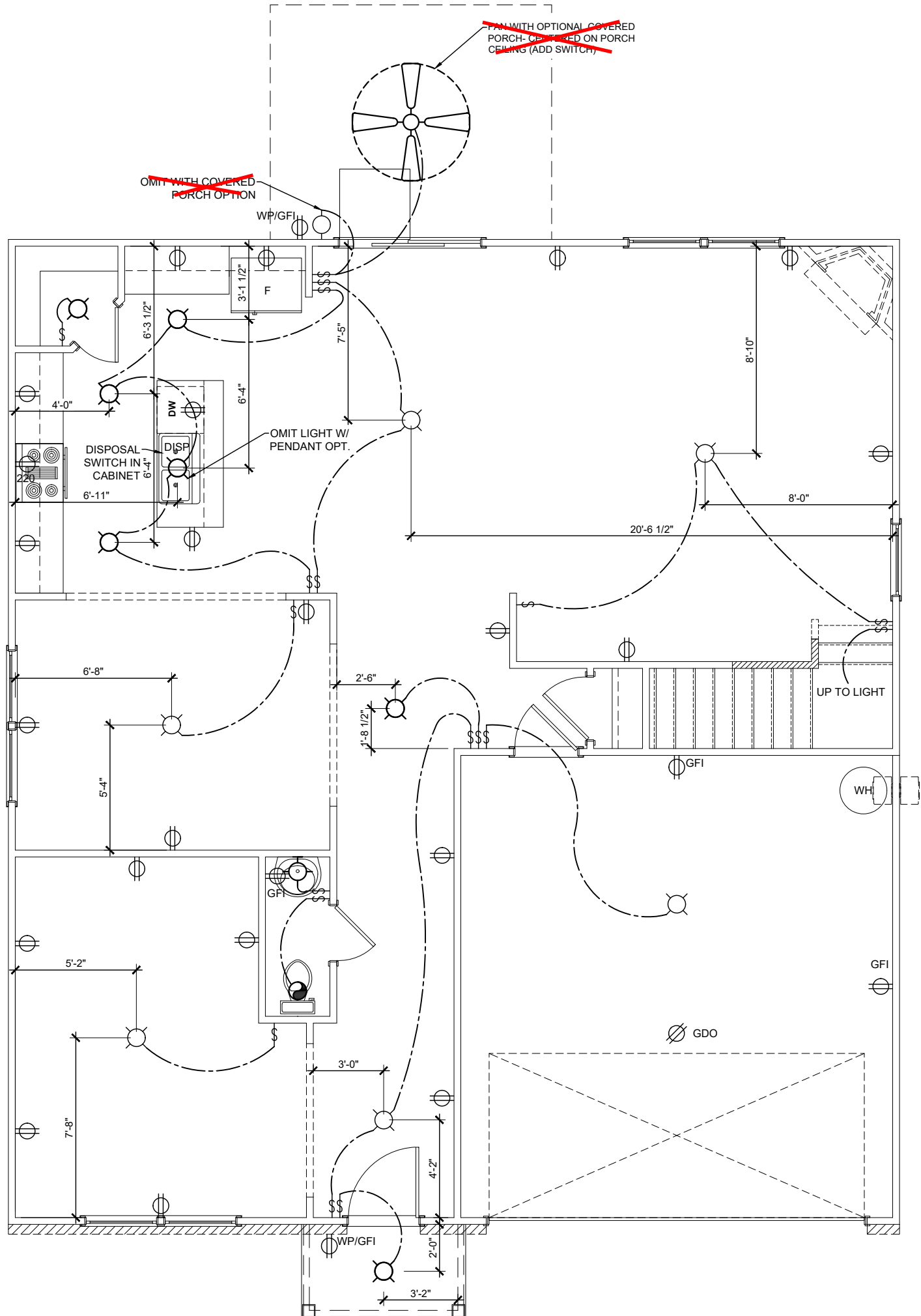


FOUNDATION INFORMATION SHEET
3/16" = 1'-0"



See Page SO1.1 for
Opt. Wood Deck

Pet Pad Option
3/16" = 1'-0"



FIRST FLOOR - ELECTRICAL
3/16" = 1'-0"

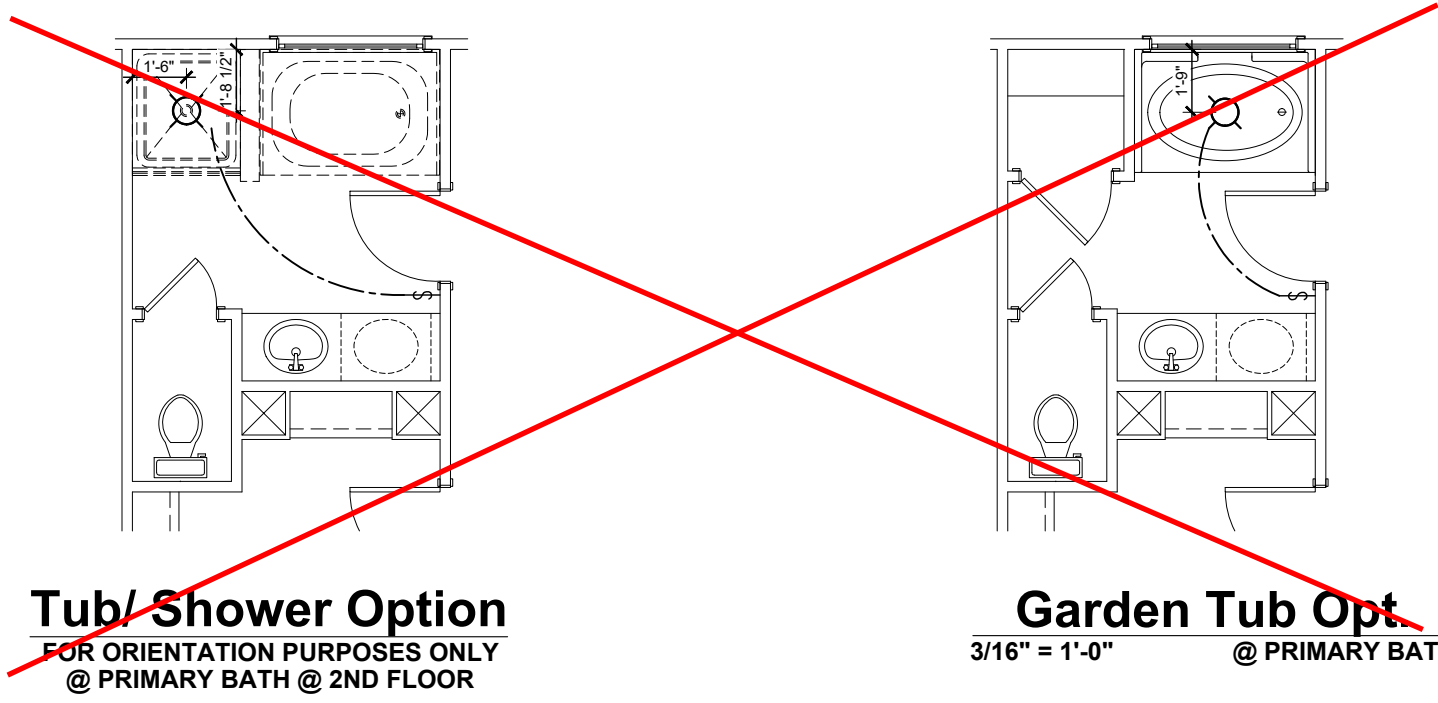
E1	Features:
	Drawn By: pla Rev By: cja, atw jsc, EB
	Date: 12/2/2024

Telfair A
Genesis Series
v.04.03.00.00

1st Floor.....	1222
2nd Floor.....	1549
Garage.....	374
Front Porch.....	28
Covered Porch Optional.....	120
3rd Car Garage Option.....	220

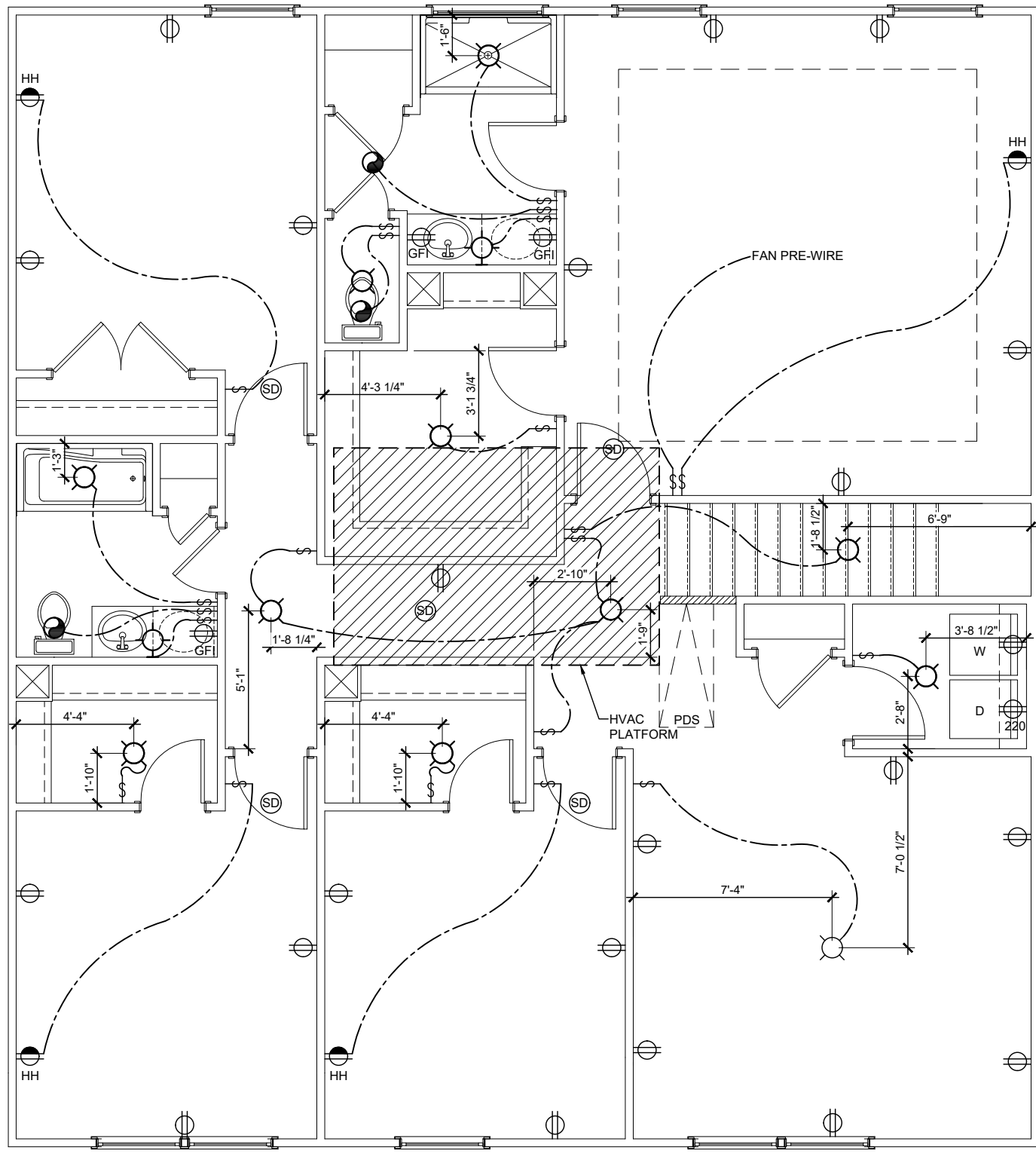
A Square Footages:





Tub/ Shower Option
 FOR ORIENTATION PURPOSES ONLY
 @ PRIMARY BATH @ 2ND FLOOR

Garden Tub Opt
 3/16" = 1'-0" @ PRIMARY BATH



SECOND FLOOR - ELECTRICAL
 3/16" = 1'-0"

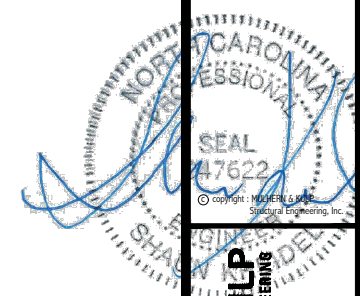
E2	Features:
	Drawn By: pla <small>Rev By: cja, atw jsc, EB</small>
	Date: 12/2/2024

Telfair A
 Genesis Series
 v.04.03.00.00

1st Floor.....	1222
2nd Floor.....	1549
Garage.....	374
Front Porch.....	28
Covered Porch Optional.....	120
3rd Car Garage Option.....	220

A Square Footages:





MULHERN+KULP
RESIDENTIAL STRUCTURAL ENGINEERING
300 Beaverton Ave., Building 4 - Asheville, NC 28802
3215-946-0011 • mulhern@mk.com
NC License # C-3825



M&K project number:
192-17017
project mgr: SMK
drawn by: MDS
issue date: 09-04-20

REVISIONS:
date: initial:

ARCH: v.01.01.00.00



GENERAL STRUCTURAL NOTES
TELFAIR
WIND SPEED < 115 MPH NORTH CAROLINA

sheel:
S0.0

GENERAL STRUCTURAL NOTES

DESIGN IS BASED ON 2018 NORTH CAROLINA STATE RESIDENTIAL CODE.

WOOD FRAME ENGINEERING IS BASED ON NDS, "NATIONAL DESIGN SPECIFICATION FOR WOOD CONSTRUCTION" - LATEST EDITION.

MODEL IS CONSIDERED AS "FULLY ENCLOSED". OPENING PROTECTION PER BUILDER (MINIMUM STRUCTURAL PANELS PER CODE)

DESIGN LOADS:

ROOF	LIVE = 20 PSF, DEAD = 17 PSF ATTIC = 20 PSF AT HT. > 42" LOAD DURATION FACTOR = 1.25
FLOOR	LIVE = 40 PSF (30 PSF AT SLEEPING AREAS) DEAD = 15 PSF (10 PSF T.C., 5 PSF B.C.) (TRUSSES) = 10 PSF (1-JOISTS/5AMN) (ADDL 10 PSF AT TILE)
WIND	115 MPH, EXPOSURE B
SEISMIC	DESIGN CATEGORY A/B

GENERAL FRAMING

ALL TYP. NAIL FASTENER REQUIREMENTS ARE NOTED IN STANDARD CONNECTIONS TABLE (IRC TABLE R602.3(1)) OR ON PLANS. ALL NAILS SPECIFIED ARE MIN DIAMETER AND LENGTH REQUIRED FOR CONNECTION. ALL HANGER NAILS SHALL BE INSTALLED PER MANUFACTURER'S REQUIREMENTS FOR MAX CHARTED CAPACITY. NOTE: HANGERS USE COMMON NAIL DIAMETERS NOT TYPICAL FRAMING GUN NAILS.

EXT. & INT. BRG./SHEAR WALLS SHALL BE 2x4 OR 2x6 (AS SHOWN ON PLANS) @ 16" O.C. SPP/SP STUD GRADE LUMBER, OR BETTER, U.N.O.

- WALLS OVER 12' TALL BE PER PLAN.

ALL INTERIOR BEARING WALLS ARE ASSUMED TO BE SHEATHED W/ GYP WALL BOARD (ONE SIDE MIN) OR PROVIDE MID HT. BLOCKING.

ALL HEADERS, BEAMS & OTHER STRUCTURAL MEMBERS SHALL BE SPRUCE-PINE-FIR #2 (SPP) OR SOUTHERN PINE #2 (LUMBER, OR BETTER. SUPPORT ALL HEADERS/ BEAMS W/ (1)2x JACK STUD & (1)2x KING STUD, MINIMUM.

- THE NUMBER OF STUDS SPECIFIED AT A SUPPORT INDICATES THE NUMBER OF JACK STUDS REQUIRED, U.N.O.

ALL NON-BEARING INTERIOR STUD WALLS SHALL BE CONSTRUCTED WITH 2x STUD GRADE MEMBERS SPACED @ 16" O.C. (MAX, U.N.O.)

- SEE "NON-BEARING HEADER SCHEDULE" HEADER SIZES IN NON-LOAD BEARING WALLS

ALL FRAMING LUMBER SHALL BE DRIED TO 15% MC (KD-15).

ENGINEERED LUMBER BEAMS TO MEET OR EXCEED THE FOLLOWING:

- "LVL" - Fb=2600 psi; Fv=285 psi; E=2.0x10⁶ psi

ENGINEERED LUMBER POSTS TO MEET OR EXCEED THE FOLLOWING:

- "LVL" - Fb=2400 psi; Fc=1=2500 psi; E=1.8x10⁶ psi

FOR 2 & 3 PLY BEAMS OF EQUAL 1 1/4" MAX. WIDTH, FASTEN FLIES TOGETHER WITH 3 ROWS OF 3"x0.120" NAILS @ 8" O/C OR 2 ROWS 1/4"x3/8" SIMPSON SDS SCREENS (OR 3/8" TRUSSLOK SCREENS) @ 16" O/C. ALT. FASTENING SPEC FOR 3 PLY BEAMS ONLY: FASTEN FLIES TOGETHER WITH 2 ROWS OF 1/2" DIA. THRU BOLTS @ 16" O.C. USE A MINIMUM OF 4 ROWS (NAILS/SCREENS) OR 3 ROWS (BOLTS) FOR BEAM DEPTHS OF 14" OR GREATER. APPLY NAIL/SCREEN FASTENING AT BOTH FACES FOR 3-PLY CONDITION. LOCATE TOP & BOTTOM FASTENERS 2" FROM EDGE. SOLID 3 1/2" OR 5 1/2" BEAMS ARE ACCEPTABLE. USE 2 ROWS OF NAILS FOR 2x6 & 2x8 MEMBERS.

FOR 4 PLY BEAMS OF EQUAL 1 1/4" MAX. WIDTH, FASTEN FLIES TOGETHER WITH 3 ROWS OF 1/4"x6" SIMPSON SDS SCREENS (OR 6 3/8" TRUSSLOK SCREENS) @ 16" O/C OR 2 ROWS OF 1/2" DIA. THRU BOLTS @ 16" O.C. USE A MINIMUM OF 4 ROWS (SCREENS) OR 3 ROWS (BOLTS) FOR BEAM DEPTHS OF 14" OR GREATER. APPLY SCREIN FASTENING AT BOTH FACES (ONE SIDE ONLY FOR TRUSSLOK SCREENS). LOCATE TOP AND BOTTOM FASTENERS 2" FROM EDGE. A SOLID 7" BEAM IS ACCEPTABLE.

REFER TO IRC FASTENING SCHEDULE TABLE R602.3(1) FOR ALL CONNECTIONS, TYP. U.N.O.

FASTEN ALL METAL CONNECTORS (I.E. HANGERS, CLIPS, ETC) PER MANUFACTURER'S SPECIFICATIONS FOR MAXIMUM TABLE LOAD VALUE U.N.O.

PROVIDE SOLID BLOCKING IN FLOOR SYSTEM UNDER ALL POSTS CONTINUOUS TO FND/BEARING. BLOCKING TO MATCH POST ABOVE.

CORROSION NOTES:

- BUILDER RESPONSIBLE TO DETERMINE CORROSION-RESISTANCE REQUIREMENTS AND COMPATIBILITY OF HARDWARE, FASTENERS AND CONNECTORS FOR ENVIRONMENTAL EXPOSURE AND IN CONTACT W/ PRESERVATIVE-TREATED WOOD OF ACTUAL FINAL CONDITIONS AND SOURCED MATERIALS. CONTACT LUMBER & HARDWARE SUPPLIERS TO COORD.

BASEMENT INTERIOR BEARING WALLS & EXTERIOR WALK-OUT BASEMENT WALLS SHALL BE 2x6 @ 16" O.C. SPP OR 5TP, "STUD" GRADE OR BETTER.

M&K SHALL NOT BE RESPONSIBLE FOR ANY ISSUES RESULTING FROM OR RELATED TO ANY DELEGATED ENGINEERED COMPONENTS IF THE OWNER DOES NOT SUBMIT THE COMPONENT SHOP DRAWINGS TO M&K FOR A CONFORMANCE REVIEW PRIOR TO FABRICATION, DELIVERY, OR INSTALLATION.

GENERAL STRUCTURAL NOTES

FLOOR FRAMING

TRUSSES SHALL BE DESIGNED BY MANUF. TO MEET OR EXCEED L/480 LIVE LOAD DEFLECTION CRITERIA. (EXCLUDES STONE/MARBLE OR WET BED CONSTRUCTED FLOORS - CONTACT MK FOR EXCLUDED FLOOR DESIGNS)

PER THE GUIDELINES OF THE TILE COUNCIL OF NORTH AMERICA (TCNA HANDBOOK), IT SHALL BE THE FLOOR FINISH INSTALLER'S RESPONSIBILITY TO VERIFY THAT THE FINISHES TO BE INSTALLED MATCH THE DESIGN CRITERIA NOTED ABOVE (UNDER "DESIGN LOADS").

METAL HANGERS SHALL BE SPECIFIED BY MANUFACTURER, U.N.O.

FLOOR SHEATHING SHALL BE 23/32" A.P.A. RATED "STURD-I-FLOOR" 24" O.C., EXPOSURE 1 (OR APPROVED EQUAL) WITH TONGUE AND GROOVE EDGES. FASTEN TO FRAMING MEMBERS W/ GLUE AND:

- 2 1/2" x 0.131" NAILS @ 6" O.C. @ PANEL EDGES @ 12" O.C. FIELD.
- 2 3/8" x 0.120" NAILS @ 4" O.C. @ PANEL EDGES @ 6" O.C. FIELD.
- 2 3/8" x 0.113" NAILS @ 3" O.C. @ PANEL EDGES @ 6" O.C. IN FIELD.

PROVIDE 1 1/4" RIM BOARD @ ALL DECK LEDGER LOCATIONS. SEE PLANS OR DETAILS FOR LEDGER CONNECTION.

ROOF FRAMING

ROOF SHEATHING SHALL BE 7/16" A.P.A. RATED SHEATHING 24/16 EXPOSURE 1 (OR APPROVED EQUAL). FASTEN TO FRAMING MEMBERS

- w/ 2 1/2" x 0.131" NAILS @ 6" O.C. @ PANEL EDGES @ 6" O.C. FIELD.
- w/ 2 3/8" x 0.120" NAILS @ 4" O.C. @ PANEL EDGES @ 6" O.C. FIELD.
- w/ 2 3/8" x 0.113" NAILS @ 3" O.C. @ PANEL EDGES @ 6" O.C. FIELD.

WITHIN 48" OF ALL ROOF EDGES, RIDGES, & HIP'S FASTEN ROOF SHEATHING FIELDS PER EDGE NAILING SPEC.

FASTEN EACH ROOF TRUSS TO TOP PLATE W/ SIMPSON H2.5A HURRICANE CLIP (OR APPROVED EQUAL) @ ALL BEARING POINTS. CLIPS MUST BE INSTALLED ON EXTERIOR FACE OF EXTERIOR WALLS OR THE SAME SIDE AS THE SHEAR WALL SHEATHING.

ALL ROOF GIRDER TRUSSES AND FLUSH BEAMS WITHIN THE ROOF SYSTEM SHALL BE FASTENED TO THE DOUBLE TOP PLATES AND POST SUPPORT W/ (2) SIMPSON H2.5A CLIPS OR APPR. EQUAL (TYP. U.N.O. ON PLANS)

TRUSS/VALLEY SETS. FASTEN TO TRUSS BELOW W/ SIMPSON H2.5A TIES AT EACH END AND AT EACH TRUSS BETWEEN.

METAL HANGERS SHALL BE SPECIFIED BY THE MANUFACTURER, U.N.O.

ERECT AND INSTALL ROOF TRUSSES PER WTCA & TPI'S BC51 "GUIDE TO GOOD PRACTICE FOR HANDLING, INSTALLING & BRACING OF METAL PLATE CONNECTED WOOD TRUSSES."

SUPPORT SHORT SPAN ROOF TRUSSES W/ 2x4 LEDGER FASTENED TO FRAMING W/ (2) 3" x 0.120" NAILS @ 16" O.C. (UP TO T' SPAN).

ADDITIONAL NOTES FOR TRUSS & I-JOIST MANUFACTURER

ROOF TRUSS, FLOOR TRUSS AND ENGINEERED JOISTS SHALL BE DESIGNED TO MEET THE DIFFERENTIAL DEFLECTION CRITERIA BELOW, UNLESS NOTED OTHERWISE ON PLAN.

TRUSSES/JOISTS SHALL BE DESIGNED SO THAT DIFFERENTIAL DEFLECTION BETWEEN ADJACENT PARALLEL TRUSSES/JOISTS OR GIRDER TRUSSES/FLUSH BEAMS DO NOT EXCEED THE FOLLOWING:

- ROOF TRUSSES:
1/4" DEAD LOAD
- FLOOR TRUSSES, ATTIC TRUSSES, & I-JOISTS:
1/8" DEAD LOAD
- FLOOR TRUSSES & ATTIC TRUSSES ADJACENT TO FLOOR FRAMING BY OTHERS:
LIMIT ABSOLUTE TRUSS DEFLECTION TO 3/16" DEAD LOAD. (NOT DIFFERENTIAL DEFLECTION)

LIST OF ABBREVIATIONS

•B.F.	BALLOON-FRAMED	•HDR	HEADER
•BM.	BEAM	•INT.	INTERIOR
•BOT.	BOTTOM	•J	JACK STUD
•BRG.	BEARING	•J.T.	JACK TRUSS
•B.N.A.	BEARING WALL ABOVE	•K	KING STUD
•CANT'D	CANTILEVERED	•MANUF.	MANUFACTURER
•CONC.	CONCRETE	•MAX.	MAXIMUM
•CONT.	CONTINUOUS	•MIN.	MINIMUM
•DBL.	DOUBLE	•N.T.S.	NOT TO SCALE
•DIM.	DIMENSION	•OPT.	OPTIONAL
•D.J.	DECK JOISTS	•P.A.	POST ABOVE
•EA.	EACH	•P.T.	PRESSURE TREATED
•EG.	EQUAL	•PKT	POCKET
•EXT.	EXTERIOR	•REQ'D	REQUIRED
•E.W.	EACH WAY	•R.T.	ROOF TRUSS
•F.T.	FLOOR TRUSS	•SCHED.	SCHEDULE
•FND.	FOUNDATION	•SIM.	SIMILAR
•FTG.	FOOTING	•STRUCT.	STRUCTURAL
•G.T.	GIRDER TRUSS	•T.O.F.	TOP OF FOOTING
•HD	HOLDOWN	•TYP.	TYPICAL

EXTERIOR & SHEAR WALL SHEATHING SPECIFICATIONS

THIS MODEL HAS BEEN DESIGNED TO RESIST LATERAL FORCES RESULTING FROM:

115 MPH WIND IN 2018 NC5BC:RC
(115 MPH WIND SPEED IN ASCE 7-10 WIND MAP, PER NC5BC R301.2.1.1) EXP. B & SEISMIC CAT. A/B.

THE ENGINEERED DESIGN WAS COMPLETED PER 2015 IBC (SECTION 1604) & ASCE 7-10, AS PERMITTED BY R301.3 OF THE 2018 NC5BC.

DESIGN WIND UPLIFT LOADS HAVE BEEN CALCULATED UTILIZING ASCE 7-10 (ACCEPTED ENGINEERING PRACTICE) AS ALLOWED PER 2018 NC5BC:RC SECTION R802.II.1.1. THIS MODEL HAS BEEN DETAILED WHERE REQUIRED & ENGINEERED TO RESIST THE WIND UPLIFT LOAD PATH PER SECTIONS R602.3.54 R802.II.

EXT. WALL SHEATHING SPECIFICATION

7/16" OSB OR 15/32" PLYWOOD: Δ P1

FASTEN SHEATHING W/ 2 3/8"x0.113 NAILS @ 6" O.C. AT EDGES @ 12" O.C. IN THE PANEL FIELD. (TYP. U.N.O.)

ALL SHEATHING PANELS SHALL BE ORIENTED VERTICALLY (LONG DIRECTION PARALLEL TO STUDS) AND INSTALLED FULL HEIGHT OF SHEAR WALL - OR 2x HORIZONTAL BLOCKING SHALL BE PROVIDED TO SUPPORT ALL UNSUPPORTED PANEL EDGES & EDGE FASTENING.

ALL EXT. WALLS SHALL BE CONTINUOUSLY SHEATHED AND ARE CONSIDERED SHEAR WALLS.

3" O.C. EDGE NAILING Δ P3

AT DESIGNATED AREAS - FASTEN PANEL EDGES OF WOOD STRUCTURAL WALL SHEATHING TO FRAMING W/ 2 3/8" x 0.113" NAILS @ 3" O.C. NO STAPLE ALTERNATIVE AVAILABLE AT THIS SPEC. ALL SHEATHING PANELS SHALL BE ORIENTED VERTICALLY (LONG DIRECTION PARALLEL TO STUDS) AND INSTALLED FULL HEIGHT OF SHEAR WALL - OR 2x HORIZONTAL BLOCKING SHALL BE PROVIDED TO SUPPORT UNSUPPORTED PANEL EDGES AND 3" O.C. EDGE FASTENING.

NOTES

SEE CONNECTION SPECIFICATIONS CHART FOR STANDARD SHEAR TRANSFER DETAILING. IF ADDITIONAL CAPACITY IS REQUIRED BY DESIGN, IT WILL BE SPECIFICALLY NOTED ON PLAN.

REFER TO DETAIL SHEET.

"NUMBERED" DETAILS ARE REFERENCED ON PLAN.

DESIGN ASSUMES 16" O.C. MAX. STUD SPACING, U.N.O.

DESIGN ASSUMES ALL INTERIOR SHEAR WALLS AND EXTERIOR WALLS ARE CONTINUOUS SHEATHED ABOVE AND BELOW OPENINGS.

WHERE PANELS ARE APPLIED TO BOTH FACES OF WALL, PANEL JOINTS SHALL BE OFFSET TO FALL ON DIFFERENT FRAMING MEMBERS.

ALL STRUCTURAL PANELS ARE TO BE DIRECTLY APPLIED TO STUD FRAMING.

PRE-MANUFACTURED PANELIZED WALLS: FASTEN TOGETHER END STUDS OF WALL PANELS SHEATHED W/ OSB OR PLYWOOD AS FOLLOWS

- P1 SHEAR PANELS - 3" x 0.120" NAILS @ 6" O.C.
- P3 SHEAR PANELS - 3" x 0.120" NAILS @ 4" O.C.

INDICATES LOCATION AND EXTENT OF SHEARWALL WHICH REQUIRES SHEATHING AND/ OR FASTENING SPECIFICATIONS BEYOND THAT OF STANDARD CONSTRUCTION

GENERAL STRUCTURAL NOTES

FOUNDATION

DESIGN IS BASED ON 2018 NORTH CAROLINA STATE RESIDENTIAL CODE.

FOOTING DESIGN - 2,000 PSF ALLOWABLE SOIL BEARING PRESSURE IS ASSUMED. BUILDER/CONTRACTOR MUST VERIFY.

FASTEN 2x4/6 SILL PLATES TO CONC. FND WITH A MINIMUM OF 2 ANCHORS PER PLATE, 12" MAX. FROM PLATE ENDS - UTILIZING:

- 1/2" DIA. ANCHOR BOLTS @ 6'-0" O.C. W/ 7" MIN. EMBEDMENT OR SIMPSON MASA ANCHORS @ 6'-0" O.C.
- SIMPSON STRONG-BOLT 2 WEDGE ANCHOR (5TB2-50700 - 1/2" @ x 7") MAY BE USED IN PLACE OF ANCHOR BOLTS @ INTERIOR THICKENED SLABS ONLY.

ALL LUMBER EXPOSED TO WEATHER OR IN CONTACT W/ PERIMETER FOUNDATION SHALL BE PRESERVATIVE TREATED SOUTHERN PINE #2.

FOUNDATION WALLS & FOOTINGS SHALL BE PLAIN CONCRETE, U.N.O.

CONCRETE DESIGN BASED ON ACI 318. CONCRETE SHALL ATTAIN THE FOLLOWING MIN. COMPRESSIVE STRENGTHS IN 28 DAYS, U.N.O.:

Fc = FOUNDATION WALLS (SEE FOUNDATION DETAILS)
2,500 psi; FOOTINGS & INTERIOR SLABS ON GRADE
3,000 psi; GARAGE & EXTERIOR SLABS ON GRADE
Fy = 60,000 psi

TYPICAL REINFORCEMENT DETAILS: PROVIDE 3" MIN. CLEAR COVER WHERE CAST AGAINST EARTH, 1 1/2" MIN. CLEAR COVER AGAINST FORMS. LAP ALL REBAR 48 BAR DIAMETERS MIN. (24" FOR #4 BARS) & BEND BARS AND LAP AT CORNERS. PROVIDE 6" HOOK INTO SUPPORTING FOOTINGS WHEN FOOTINGS INTERSECT.

ALL CONCRETE EXPOSED TO THE WEATHER SHALL NOT HAVE LESS THAN 5% OR MORE THAN 1% AIR ENTRAINMENT.

ALL FOOTINGS SHALL BEAR BELOW FROST LINE (TYP.) OR 12" MIN IN REGIONS WHERE CODE FROST DEPTH IS NOT APPLICABLE. CONSULT SOILS REPORT OR BUILDING DEPT. FOR MINIMUM DEPTH BELOW GRADE.

FOOTINGS AND SLABS ON GRADE SHALL BEAR ON VIRGIN SOIL OR 4% COMPACTED FILL. (U.N.O.)

PROVIDE CONTROL JOINTS AT ALL INSIDE CORNERS OF SLAB EDGES, AND OTHER LOCATIONS WHERE SLAB CRACKS ARE LIKELY TO DEVELOP.

- JOINTS SHALL BE LOCATED @ 10'-0" O.C. (RECOMMENDED) OR 15'-0" O.C. (MAXIMUM)
- JOINT GRID PATTERN SHALL BE AS CLOSE TO SQUARES AS POSSIBLE (1:1 RATIO), WITH A MAXIMUM OF 1:1.5 RATIO
- CONTROL JOINTS SHALL NOT BE INSTALLED IN STRUCTURAL SLABS

DIMENSIONS BY OTHERS, BUILDER TO VERIFY.

BUILDER TO PROVIDE SUBTERRANEAN TERMITE PROTECTION MEETING THE REQUIREMENTS OF R318 OR LOCAL CODE REQUIREMENTS

CRANLSPACE/BASEMENT WALLS SHALL BE BRACED, PRIOR TO BACKFILLING, BY EITHER ADEQUATE TEMPORARY BRACING OR INSTALLATION OF FIRST FLOOR DECK.

CRANLSPACE/BASEMENT WALL DESIGN IS BASED ON BACKFILL SOIL CLASSIFICATIONS OF GM, GP, SM, SP (30 pct) OR GM, GC, SM, SM-SC, ML (45 pct). IF SC, ML-CL, OR CL (60 pct) SOIL IS ENCOUNTERED ON SITE, CONTACT MULHERN & KULP FOR FURTHER EVALUATION OF FOUNDATION DESIGN.

CONCRETE MASONRY UNITS (CMU) SHALL BE ASTM C90 WITH A MIN. COMPRESSIVE STRENGTH OF 1400 psi (Fm=1500 psi). MORTAR SHALL BE ASTM C270, TYPE S. CMU DESIGN PER TMS 402/602.

CMU FOUNDATION WALLS SHALL HAVE "DUR-O-WALL" HORIZONTAL JOINT REINFORCEMENT (OR EQUAL) - 4 GA. MINIMUM @ 16" O.C.

PROVIDE 2x8 x 16" LONG P.T. PLATE ON TOP OF ALL CRANL SPACE PIERS. TOP COURSE OF PIERS SHALL BE SOLID MASONRY OR FILLED SOLID.

PROVIDE 2x6 P.T. PLATE ON INTERIOR CRANL SPACE WALLS, FASTENED PER ANCHORAGE SPECIFICATION NOTED ABOVE.

BASEMENT FOUNDATION WALL DESIGN BASED ON:

- 9' OR 10' HEIGHT (SEE PLAN)
- ACTUAL WALL WIDTHS ASSUMED FOR DESIGN, NOMINAL WIDTHS SHALL NOT BE USED.

PROVIDE (2) #5 BARS AROUND ALL SIDES OF OPENINGS IN CONCRETE BSMT. FND. WALL WITH 2" CLEAR. REINFORCEMENT SHALL EXTEND 12" PAST CORNER OF OPENING IN ALL DIRECTIONS.

- FOR OPENINGS UP TO 36", PROVIDE MINIMUM 10" CONCRETE DEPTH OVER OPENING OR (3)2x10 W/ (2)2x6 JACK STUDS, U.N.O.
- LARGER OPENINGS SHALL BE PER PLAN.

CONNECTION SPECIFICATIONS (TYP. U.N.O.)

DESCRIPTION OF BLDG. ELEMENT	3"x0.131" NAILS	3"x0.120" NAILS
JOIST TO SOLE PLATE	(3) TOENAILS NAILS @ 6" O.C.	(3) TOENAILS* NAILS @ 4" O.C.
SOLE PL. TO JOIST/TRIM OR BLK'G	(4) TOENAILS/ (3) END NAILS	(4) TOENAILS/ (4) END NAILS*
STUD TO PLATE	TOENAILS @ 6" O.C.	TOENAILS @ 4" O.C.*
RIM TO TOP JOISTS	(3) TOENAILS EA. END	(3) TOENAILS EA. END*
BLK'G. BTWN. JOISTS TO TOP PL.	NAILS @ 16" O.C.	NAILS @ 16" O.C.
DOUBLE STUD	NAILS @ 12" O.C.	NAILS @ 8" O.C.
DOUBLE TOP PLATE	(15) NAILS IN LAPPED AREA (24" MIN.)	(15) NAILS IN LAPPED AREA (24" MIN.)
DOUBLE TOP PLATE LAP SPLICE	(3) NAILS	(3) NAILS
TOP PLATE LAP @ CORNERS & INTERSECTING WALLS	(4) TOENAILS + (1) SIMPSON H2.5T TOENAILS @ 8" O.C.	(4) TOENAILS + (1) SIMPSON H2.5T TOENAILS @ 6" O.C.
GAB. END TRUSS TO DBL. TOP PL.	2x10 BLK EVERY 3RD BAY FASTENED TO DBL. TOP PLATE W/ TOENAILS @ 6" O.C.	2x10 BLK EVERY 3RD BAY FASTENED TO DBL. TOP PLATE W/ TOENAILS @ 4" O.C.
R.T. W/ HEEL HT. 9 1/4" TO 12"	2x12 BLK EVERY 3RD BAY FASTENED TO DBL. TOP PLATE W/ TOENAILS @ 6" O.C.	2x12 BLK EVERY 3RD BAY FASTENED TO DBL. TOP PLATE W/ TOENAILS @ 4" O.C.
R.T. W/ HEEL HT. 12" TO 16"	LAP WALL SHTG. W/ DBL. TOP PL. & INSTALL ON TRUSS VERT. - FASTEN W/ NAILS @ 6" O.C.	LAP WALL SHTG. W/ DBL. TOP PL. & INSTALL ON TRUSS VERT. - FASTEN W/ NAILS @ 6" O.C.*
R.T. W/ HEEL HT. UP TO 24"	LAP WALL SHTG. W/ DBL. TOP PL. & INSTALL ON TRUSS VERT. - FASTEN W/ NAILS @ 6" O.C. PROVIDE 2x BLK @ EA. BAY AT TOP OF HEEL	LAP WALL SHTG. W/ DBL. TOP PL. & INSTALL ON TRUSS VERT. - FASTEN W/ NAILS @ 6" O.C. PROVIDE 2x BLK @ EA. BAY AT TOP OF HEEL*
R.T. W/ HEEL HT. 24" TO 48"	WALL SHTG. LAP W/ SILL PL. & FASTENED PER SHEAR WALL FASTENING SPEC.	

* 2 1/2"x0.113 IS AN ACCEPTABLE ALTERNATIVE TO A 3"x0.120", SAME SPACING OR NUMBER OF NAILS. (ONLY ACCEPTABLE WHERE * ARE SHOWN)

VENEER LINTEL SCHEDULE

SPAN (MAX)	HEIGHT OF VENEER ABOVE LINTEL	STEEL ANGLE SIZE
3'-0"	20 FT. MAX	L3"x3"x1/4"
6'-0"	3 FT. MAX	L3"x3"x1/4"
	12 FT. MAX	L4"x3"x1/4"
8'-0"	20 FT. MAX	L5"x3"x3/8"
	3 FT. MAX	L4"x4"x1/4" *
12'-0"	12 FT. MAX	L5"x3"x3/8"
	16 FT. MAX	L6"x3"x3/8"
16'-0"	12 FT. MAX	L6"x3"x3/8"
	2 FT. MAX	L7"x4"x1/2" **
	3 FT. MAX	L8"x4"x1/2" **

ALL LINTELS:

- SHALL SUPPORT 2 3/8" - 3 1/2" VENEER W/ 40 psf MAXIMUM WEIGHT.
- < 16" SHALL HAVE 4" MIN. BEARING
- > 16" SHALL HAVE 8" MIN. BEARING
- < 16" SHALL NOT BE FASTENED BACK TO HEADER.
- > 16" SHALL BE FASTENED BACK TO WOOD HEADER
- IN WALL @ 48" O.C. W/ 1/2" DIA. x 3 1/2" LONG LAG SCREWS IN 2" LONG VERTICALLY SLOTTED HOLES.
- MAX. VENEER HT. APPLIES TO ANY PORTION OF BRICK OVER THE OPENING.
- ALL LINTELS SHALL BE LONG LEG VERTICAL.
- WHEN SUPPORTING VENEER < 3" WIDE THE EXTERIOR TOE OF THE HORIZONTAL LEG MAY BE CUT IN THE FIELD TO BE 3 1/4" WIDE OVER THE BEARING LENGTH ONLY. THIS IS TO ALLOW FOR MORTAR JOINT FINISHING.
- SEE STRUCTURAL PLANS FOR ANY LINTEL CONDITION NOT ENCOMPASSED BY THE ABOVE PARAMETERS. FOR ANY LINTEL FASTENED BACK TO BEAM, FASTENERS SHALL MAINTAIN A 2 1/2" (MINIMUM) CLEAR DISTANCE FROM BOT. OF BEAM.
- ** FOR QUEEN VENEER USE L4x3x1/4".
- *** FOR 3 1/2" VENEER ONLY. SEE PLAN FOR VENEER SUPPORT IF VENEER < 3 1/2" THICK.

NON-BEARING HEADER SCHEDULE

SPAN	2x4 NON-BEARING PARTITION WALL	2x6 NON-BEARING PARTITION WALL
UP TO 3'-0"	(1)2x4 FLAT	(1)2x6 FLAT
UP TO 6'-0"	(2)2x4	(3)2x4
UP TO 8'-0"	(2)2x6	(3)2x6
UP TO 12'-0"	(2)2x10	(2)2x10

LEGEND

- ▬ INTERIOR BEARING WALL
- ▬ BEARING WALL ABOVE (B.N.A.) -AND/OR- SHEAR WALL ABOVE (S.N.A.)
- ▬ BEAM / HEADER
- ▬ EXTENT OF OVERFRAMING (O.F.)
- ▬ EXTENT OF TILE OVER FLOOR
- ▬ EXTENT OF BRACING PANELS/SHEARWALL W/ ADDL. CONNECTION REQUIREMENTS
- ▬ INDICATES HOLD-DOWN OR STRAP. REFER TO SCHEDULE.
- ▬ METAL HANGER
- ▬ INDICATES POST ABOVE (P.A.) PROVIDE SOLID BLOCKING UNDER POST OR JAMB ABOVE.

MEANS & METHODS NOTES

THE STRUCTURE IS DESIGNED TO BE SELF SUPPORTING AND STABLE AFTER THE BUILDING IS FINISHED AND ALL PLAN, DETAIL, AND NOTE SPECIFICATIONS HAVE BEEN COMPLETED. IT IS THE CONTRACTOR'S SOLE RESPONSIBILITY TO DETERMINE THE ERECTION PROCEDURES AND SEQUENCE TO INSURE THE SAFETY OF THE BUILDING AND ITS COMPONENTS DURING CONSTRUCTION. THIS INCLUDES, BUT IS NOT LIMITED TO, THE ADDITION OF NECESSARY SHORING, SHEETING, TEMPORARY BRACING, GUYS, AND TIE-DOWNS. CONTRACTOR SHALL BE RESPONSIBLE FOR ALL SHORING AND BRACING REQUIRED TO STABILIZE AND PROTECT EXISTING AND ADJACENT STRUCTURES AND SYSTEMS DURING COURSE OF DEMOLITION AND CONSTRUCTION OF THE PROJECT.

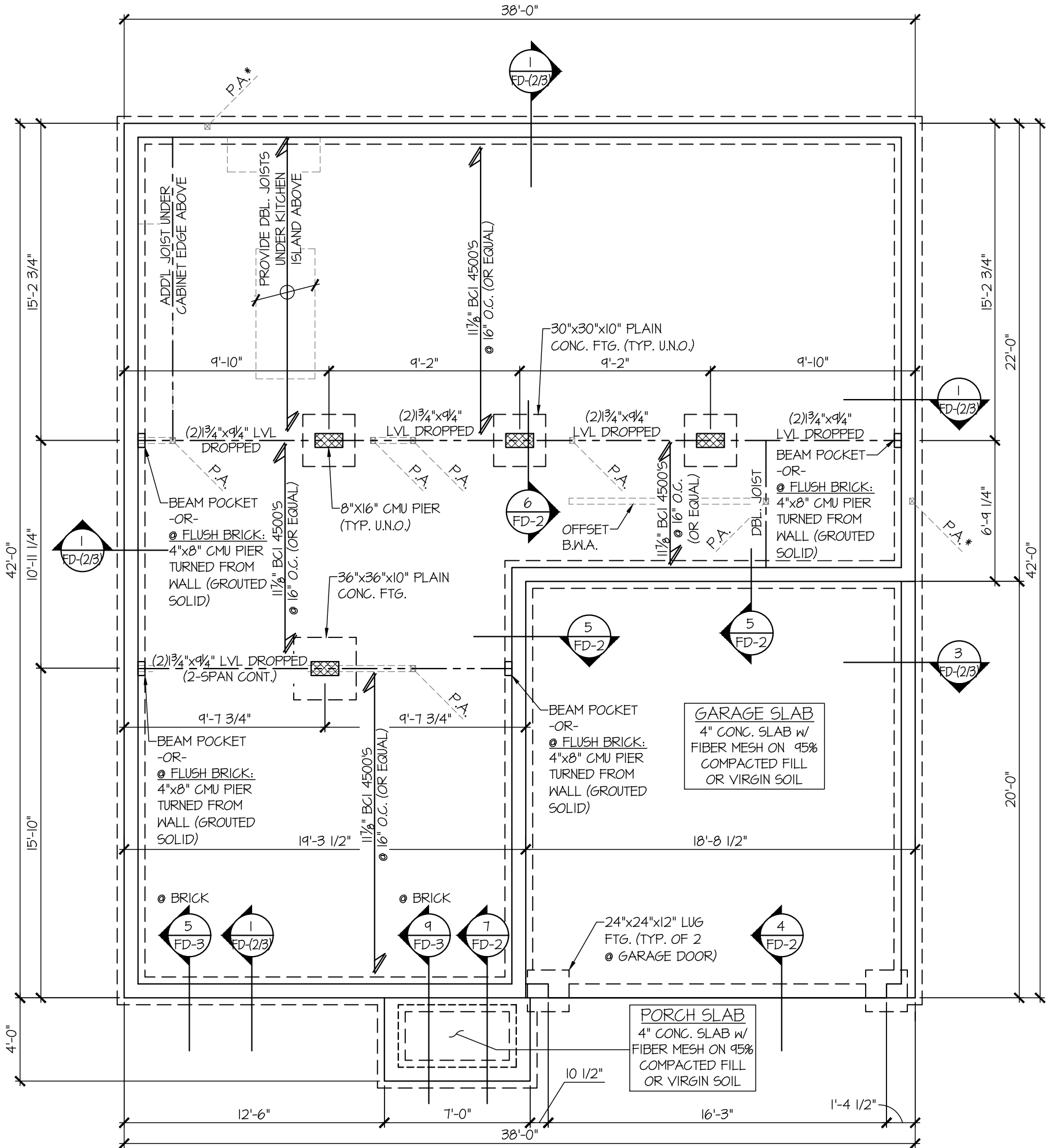
STRUCTURAL DESIGN AND SPECIFICATIONS ASSUME THAT ALL SUPPORTING AND NON-SUPPORTING ELEMENTS IN CONTACT WITH FLOOR FRAMING ARE LEVEL, INCLUDING, BUT NOT LIMITED TO; FOUNDATIONS, SLABS ON GRADE, BEAMS, WALLS, AND NON-BEARING ELEMENTS. IT IS THE CONTRACTOR'S RESPONSIBILITY TO VERIFY LEVELNESS AND MAKE ADJUSTMENTS AS NECESSARY, INCLUDING CONSIDERATION OF THOSE AREAS THAT MAY BE WITHIN CONTRACTUAL, INDUSTRY, OR WARRANTY TOLERANCES.

DIMENSIONS REFLECT FACE OF WALL STUDS ABOVE OR CENTERLINES OF CRAWLSPACE PIERS (REFER TO DETAILS FOR FOUNDATION WALL PLACEMENT RELATIVE TO WALL FRAMING ABOVE)

FOUNDATION HARDWARE SCHEDULE
ELEVATION A

QTY	PRODUCT
15	SIMPSON STRONG BOLT 2 ANCHORS

HARDWARE NOTES:
 - ALL NAIL HOLES FILLED
 - ALL COUNTS ESTIMATED
 - 15 ADDITIONAL STRONG BOLT 2 ANCHORS INCLUDED FOR MISSED ANCHOR BOLTS



1 CRAWLSPACE FOUNDATION PLAN
SCALE: 3/16"=1'-0"
ELEV. A

REFER TO S-0.0 FOR
TYPICAL STRUCTURAL NOTES
& SCHEDULES

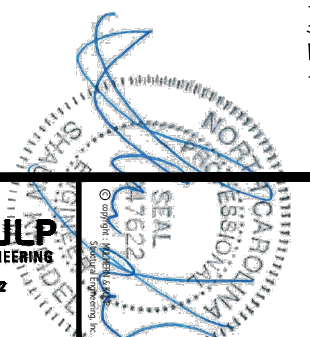
SC1.0
FOUNDATION PLAN
TELFAIR
ELEVATION A
WIND SPEED < 115 MPH NORTH CAROLINA



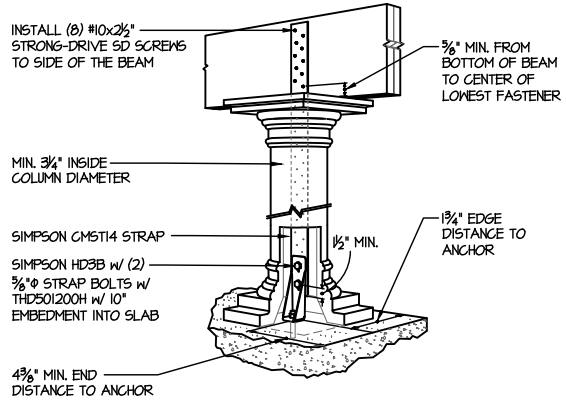
ARCH: 01.01.0000
date: 09-04-20
REVISED:
initial:
project no.: 192-17017
drawn by: SMK
checked by: MDS
issue date: 09-04-20



MULHERN+KULP
RESIDENTIAL STRUCTURAL ENGINEERING
300 Brookside Ave, Building 4 - Amber, PA 15002
p: 215-646-8801 • mulhern+kulp.com
NC License # C-3825



2/19/24

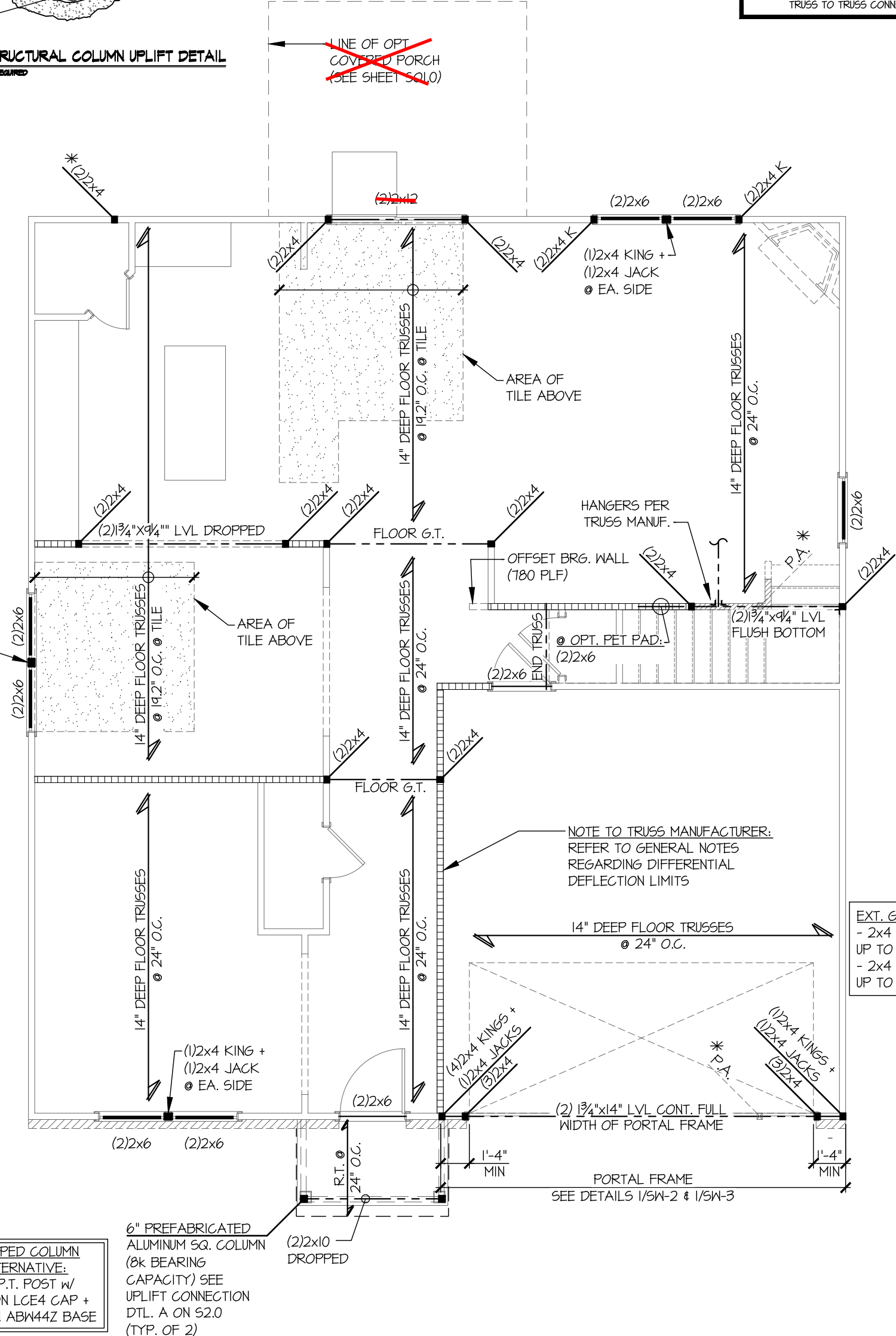


A HOLLOW STRUCTURAL COLUMN UPLIFT DETAIL
NOT TO SCALE - AS REQUIRED

See Page SO1.1 for Opt. Wood Deck

2ND FLOOR HARDWARE SCHEDULE ELEVATION A	
QTY	PRODUCT
4	SIMPSON C516 STRAP (26"/5STRAP)
1	SIMPSON L90 CLIP
10	SIMPSON H2.5A CLIP
2	SIMPSON HD3B HOLDOWN
2	SIMPSON CM5T14 STRAP

HARDWARE NOTES:
 - ALL NAIL HOLES FILLED
 - ALL COUNTS ESTIMATED
 - HARDWARE COUNT DOES NOT INCLUDE TRUSS TO TRUSS CONNECTIONS



EXT. GARAGE WALLS:
 - 2x4 SP 'STUD' @ 16" O.C. UP TO 10'-0" TALL.
 - 2x4 SP 'STUD' @ 12" O.C. UP TO 12'-0" TALL

WRAPPED COLUMN ALTERNATIVE:
 4x4 P.T. POST W/ SIMPSON LCE4 CAP + SIMPSON ABW44Z BASE
 6" PREFABRICATED ALUMINUM SQ. COLUMN (8k BEARING CAPACITY) SEE UPLIFT CONNECTION DTL. A ON S2.0 (TYP. OF 2)

2ND FLOOR FRAMING PLAN
 SCALE: 3/16"=1'-0"
 (1ST FLOOR WALLS SHOWN) ELEV. A

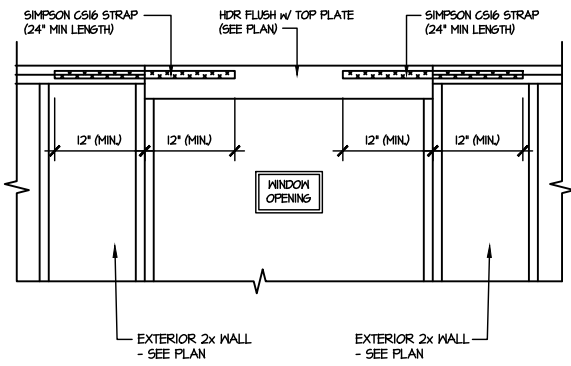
PLAN DESIGNED FOR 8'-OR-9' PLATE HEIGHT

REFER TO S-0.0 FOR TYPICAL STRUCTURAL NOTES & SCHEDULES

ROOF HARDWARE SCHEDULE
ELEVATION A

QTY	PRODUCT
92	SIMPSON H2.5A CLIP
2	SIMPSON C616 STRAP (24"/STRAP)

HARDWARE NOTES:
 - ALL NAIL HOLES FILLED
 - ALL COUNTS ESTIMATED
 - HARDWARE COUNT DOES NOT INCLUDE TRUSS TO TRUSS CONNECTIONS

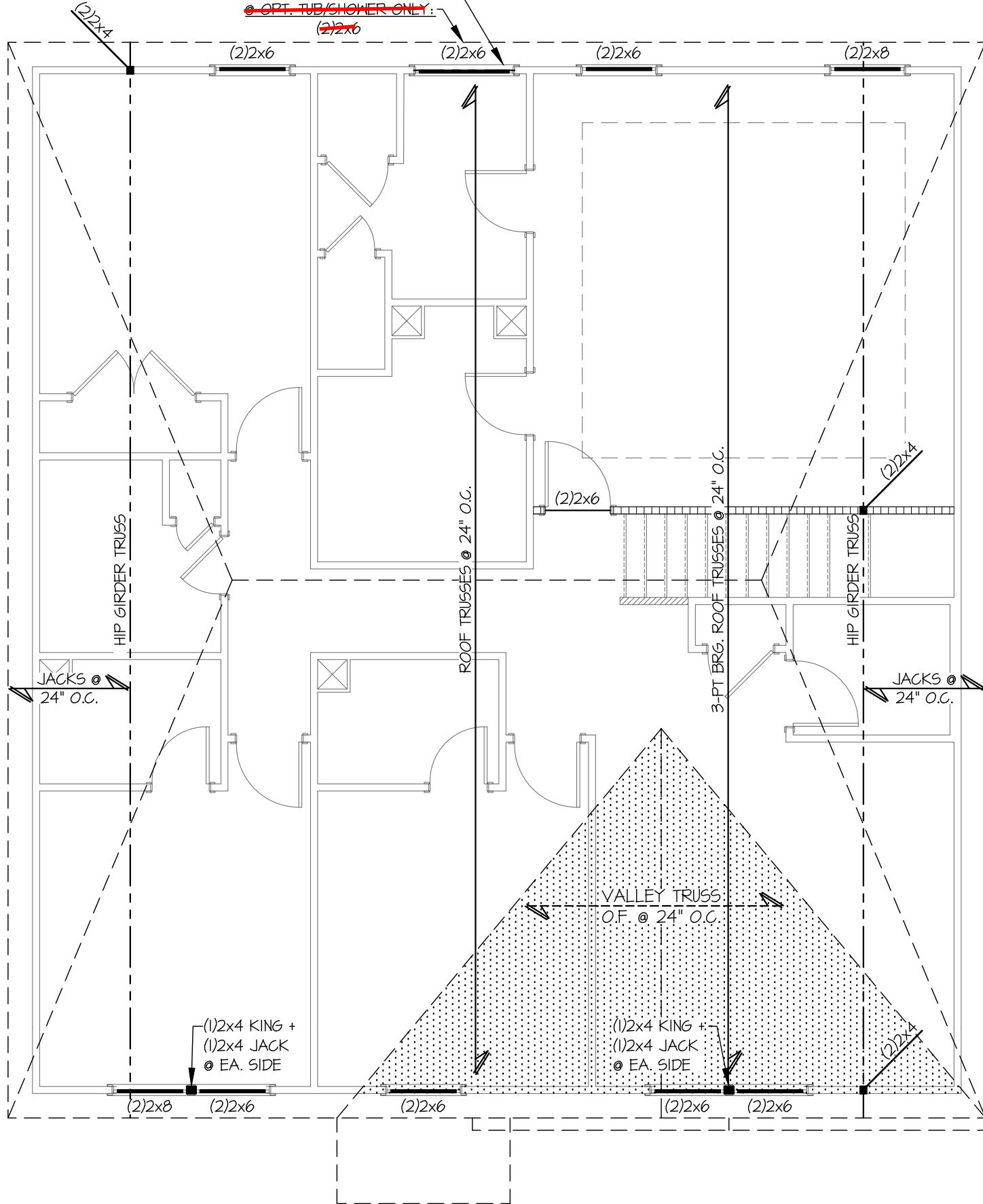


**SHEAR TRANSFER DETAIL
AT UPSET WINDOW**

A
SCALE: 3/8"=1'-0"

HDR FLUSH w/ TOP PLATE; PROVIDE C616 STRAP FROM HDR TO DBL TOP PLATE (12" MIN. END LENGTH) (SEE DTL. A/S3.0)

~~OPT. TUB/SHOWER ONLY:~~



PLAN DESIGNED FOR
8' PLATE HEIGHT

REFER TO S-0.0 FOR
TYPICAL STRUCTURAL NOTES
& SCHEDULES



ROOF FRAMING PLAN

SCALE: 3/16"=1'-0"
(2ND FLOOR WALLS SHOWN)

ELEV. A

S3.0

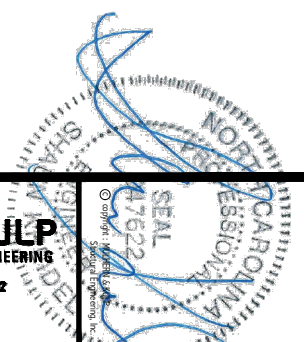
ROOF FRAMING PLAN
TELFAIR
ELEVATION A
WIND SPEED < 115 MPH NORTH CAROLINA



ARCH: 01.01.0000
 date: initial:
 REVISIONS:
 project mgr: SMK
 drawn by: MDS
 issue date: 09-04-20
 MK project number:
 192-17017



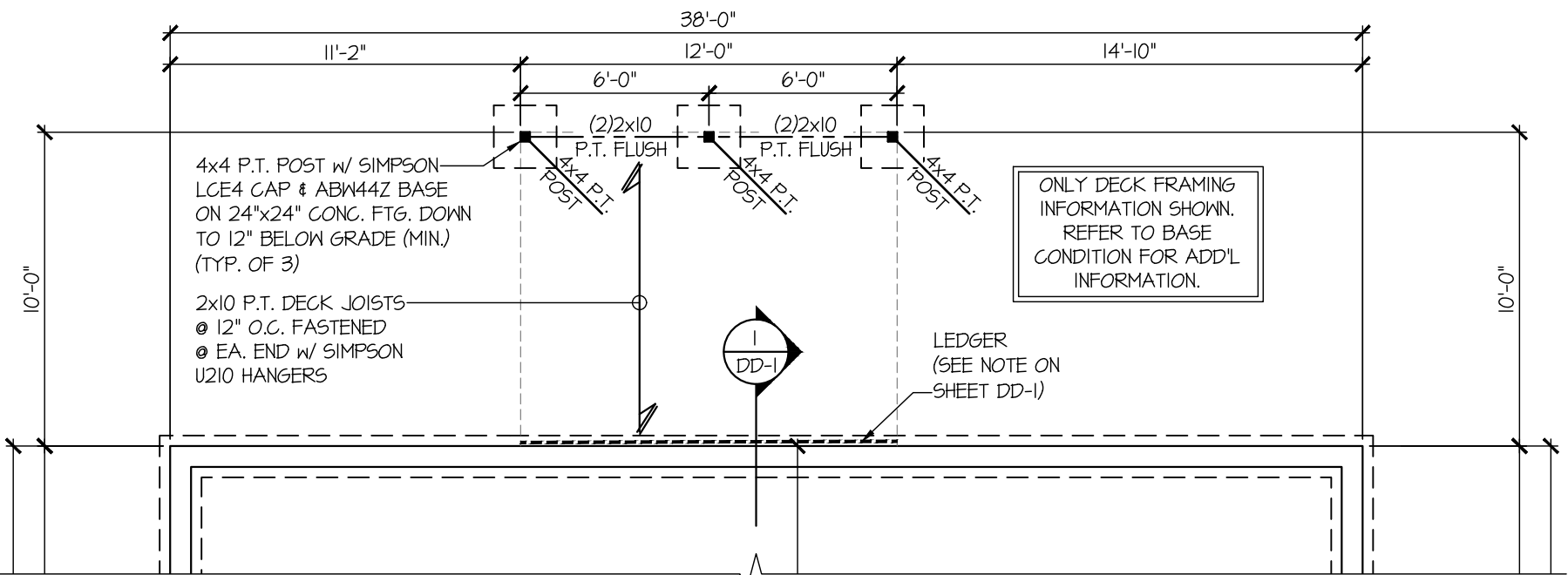
MULHERN+KULP
RESIDENTIAL STRUCTURAL ENGINEERING
 300 Brookside Ave, Building 4 - Amber, PA 19002
 p: 215-646-8001 • mulhern+kulp.com
 NC License # C-3825



2/19/24

ADD'L HARDWARE SCHEDULE FOR
OPT. WOOD DECK

QTY	PRODUCT
24	SIMPSON U210 HANGER
3	SIMPSON LCE4 POST CAP
3	SIMPSON ABW44Z POST BASE
4	SIMPSON H3 CLIP
2	SIMPSON BC52-2/4 POST BASE



**PARTIAL CRAWLSPACE FOUNDATION PLAN
OPT. WOOD DECK**
SCALE: 3/16"=1'-0" ALL ELEVS. SIM.

REFER TO S-0.0 FOR
TYPICAL STRUCTURAL NOTES
& SCHEDULES

SO1.1

OPTION FRAMING PLANS

TELFAIR
COVERED PORCH
WIND SPEED < 115 MPH NORTH CAROLINA



ARBH+01.01.0000

DATE: 09-04-20

PROJECT NO: 192-17017

PROJECT MGR: SMK

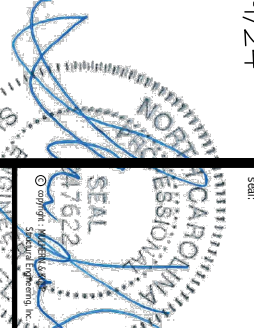
DRAWN BY: MDS

ISSUE DATE: 09-04-20

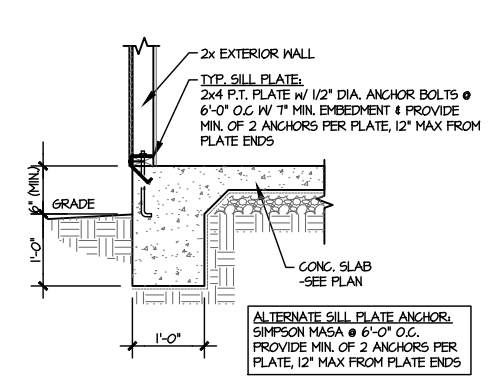
REVISIONS:

MULHERN+KULP
RESIDENTIAL STRUCTURAL ENGINEERING

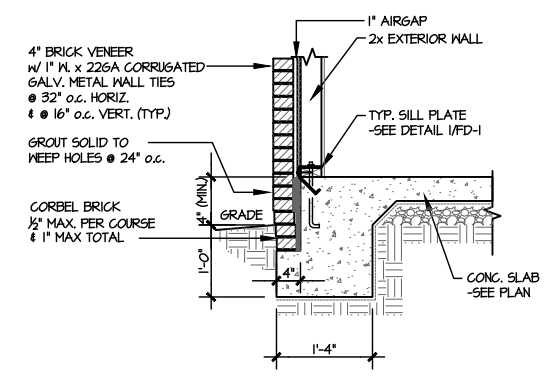
300 Brookside Ave, Building 4 - Ambler, PA 19002
p 215-646-8001 • www.mulhernkulp.com
NC License # C-3825



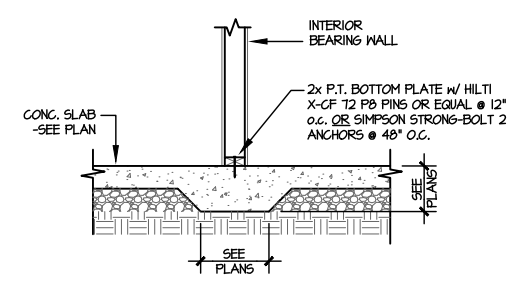
2/19/24



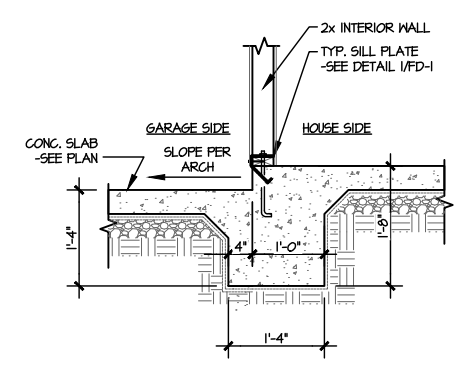
1 TYPICAL TURNDOWN @ EXT. WALL
SCALE: 3/8\"/>



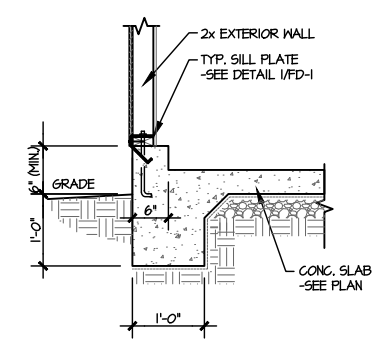
2 TYPICAL TURNDOWN @ EXT. WALL (BRICK)
SCALE: 3/8\"/>



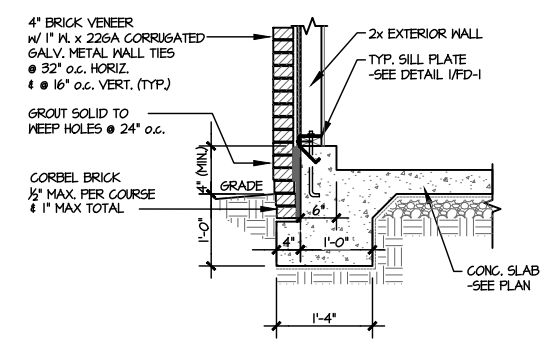
3 TYPICAL THICKENED SLAB @ INTERIOR BEARING WALL
SCALE: 3/8\"/>



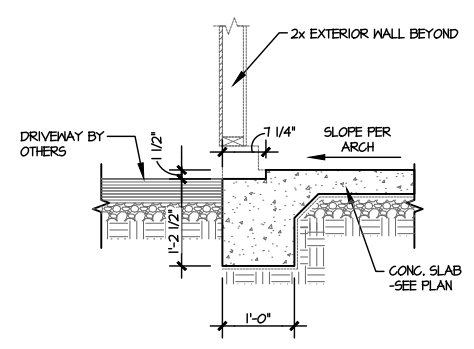
4 TYPICAL INT. FOOTING BETWEEN HOUSE & GARAGE
SCALE: 3/8\"/>



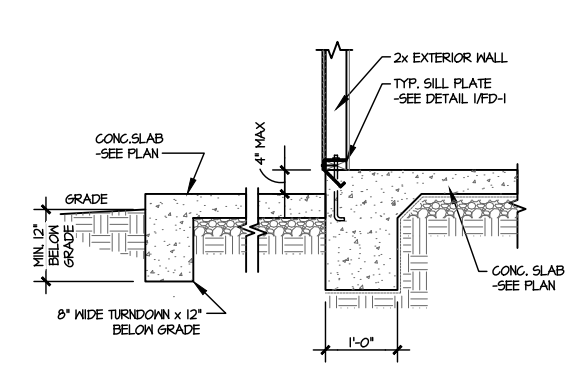
5 TYPICAL TURNDOWN @ EXT. GARAGE WALL
SCALE: 3/8\"/>



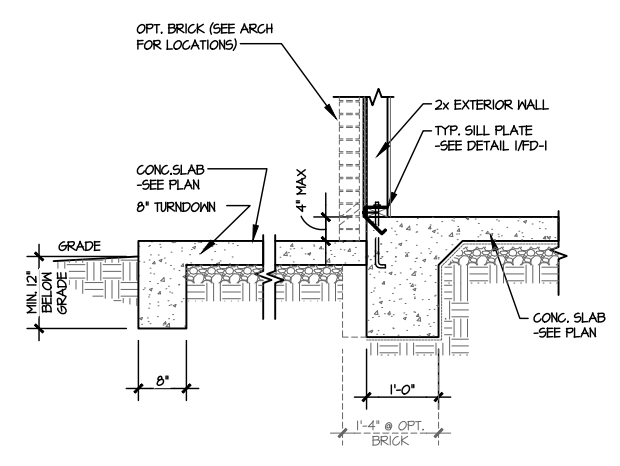
6 TYPICAL TURNDOWN @ EXT. GARAGE WALL (BRICK)
SCALE: 3/8\"/>



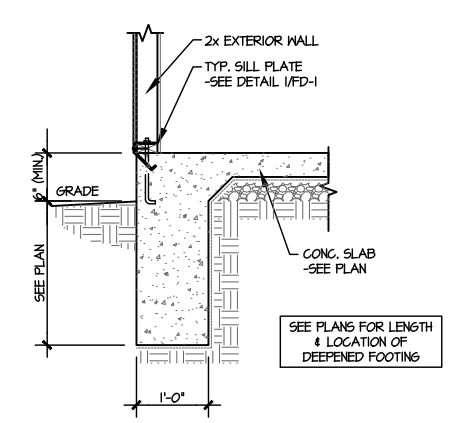
7 GARAGE OPENING
SCALE: 3/8\"/>



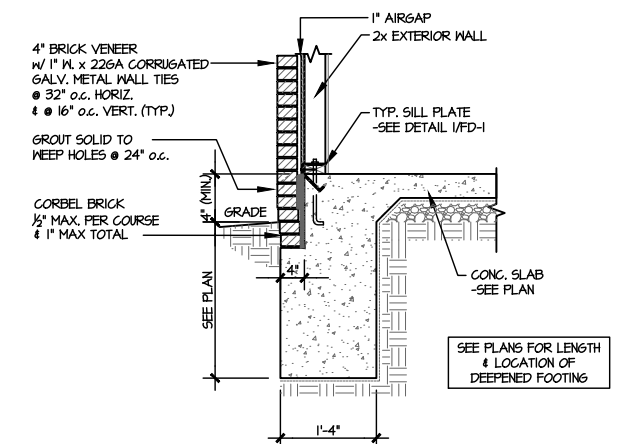
8 TYPICAL TURNDOWN @ PATIO/PORCH
SCALE: 3/8\"/>



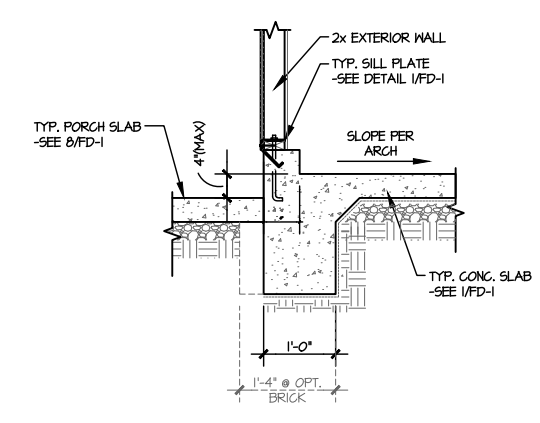
9 TYPICAL TURNDOWN @ PATIO/PORCH (BRICK)
SCALE: 3/8\"/>



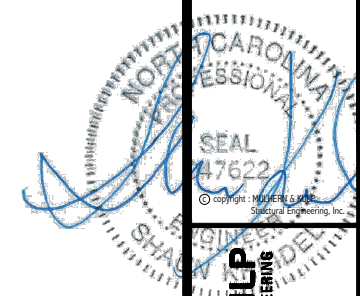
10 TYPICAL TURNDOWN W/ DEEPENED FTGS. @ EXT. WALL
SCALE: 3/8\"/>



11 TYPICAL TURNDOWN @ EXT. WALL (BRICK)
SCALE: 3/8\"/>



12 TYPICAL TURNDOWN @ COVERED PORCH/ATTACHED GARAGE
SCALE: 3/8\"/>



MULHERN+KULP
RESIDENTIAL STRUCTURAL ENGINEERING
300 Bluebirds Ave, Building 4 - Panther, PA 19082
P: 717-546-8811 - mulhern@mk.com
NC License # C-3825

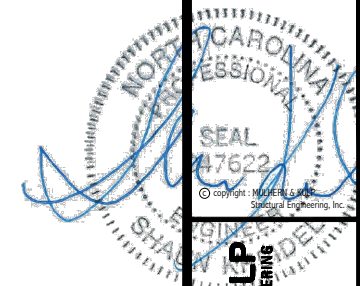
M&K project number:
192-17017
project mgr: SMK
drawn by: MDS
issue date: 09-04-20

REVISIONS:
date: initial:

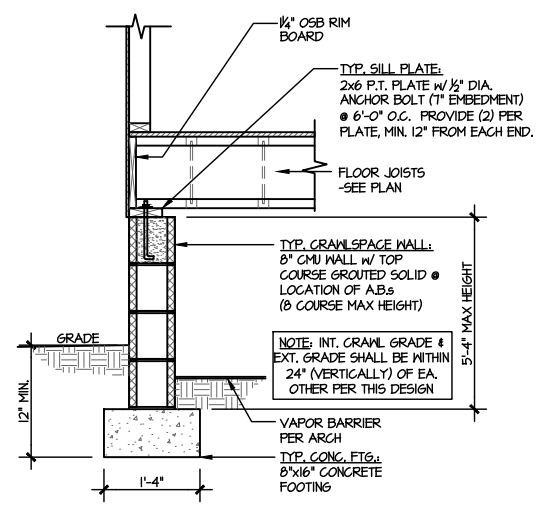
ARCH: v.01.01.00.00



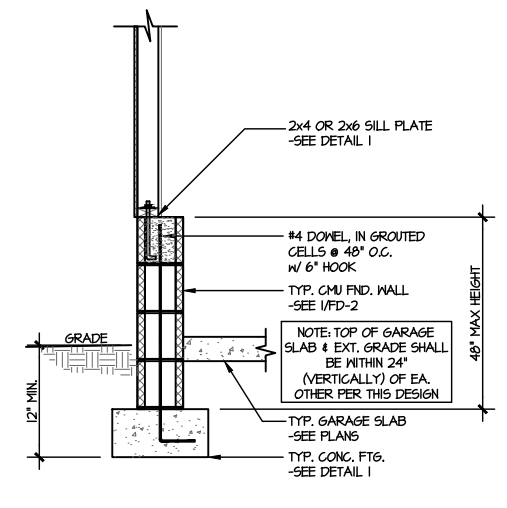
FOUNDATION DETAILS
TELFAIR
WIND SPEED < 115 MPH NORTH CAROLINA



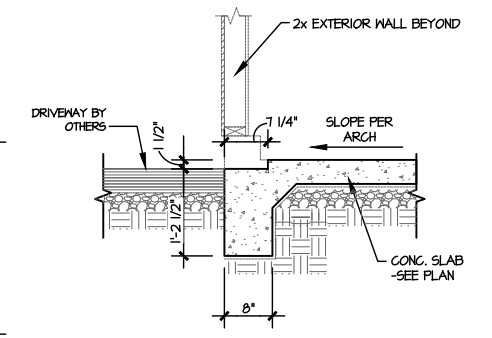
MULHERN+KULP
RESIDENTIAL STRUCTURAL ENGINEERING
300 Brookside Ave., Building 4 - Asheville, PA, 18002
P: 212-605-0811 - mulhern@mulhernkulp.com
NC License # C-3825



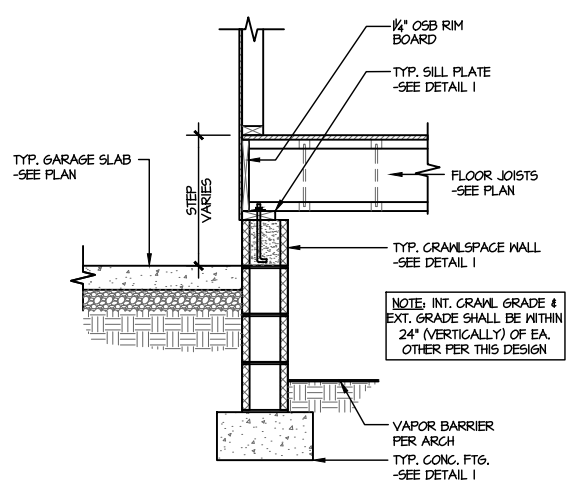
1 TYPICAL CRAWLSPACE FOUNDATION
SCALE: 3/8"=1'-0"



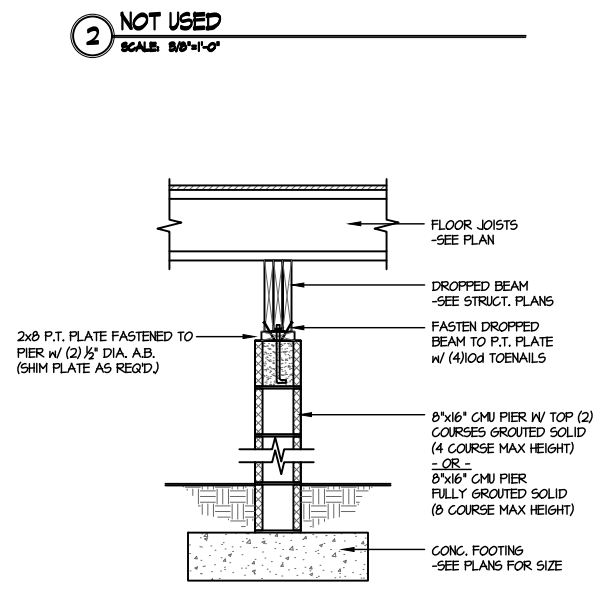
3 TYPICAL PERIMETER FOOTING @ EXTERIOR GARAGE WALL
SCALE: 3/8"=1'-0"



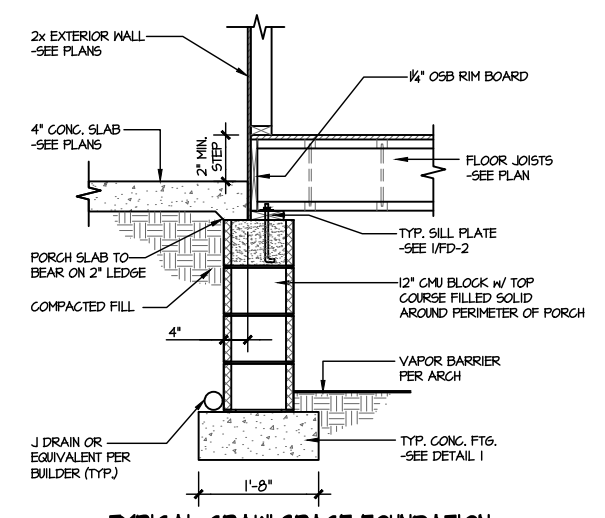
4 TYPICAL TURNDOWN FOOTING AT EXTERIOR GARAGE APRON
SCALE: 3/8"=1'-0"



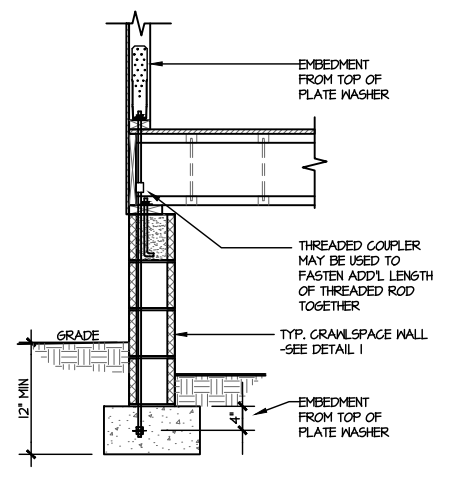
5 TYPICAL CRAWLSPACE FOUNDATION @ INTERIOR GARAGE WALL
SCALE: 3/8"=1'-0"



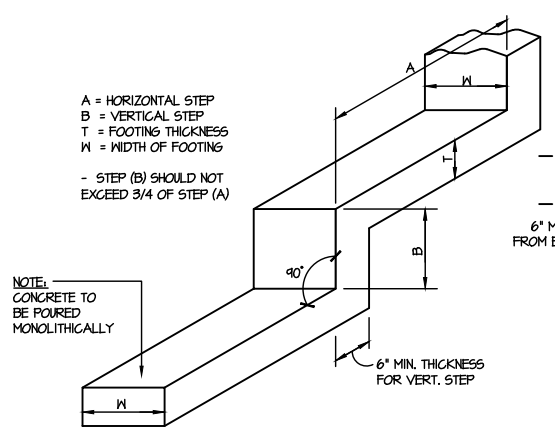
6 TYPICAL CRAWLSPACE FOUNDATION @ INTERIOR PIER
SCALE: 3/8"=1'-0"



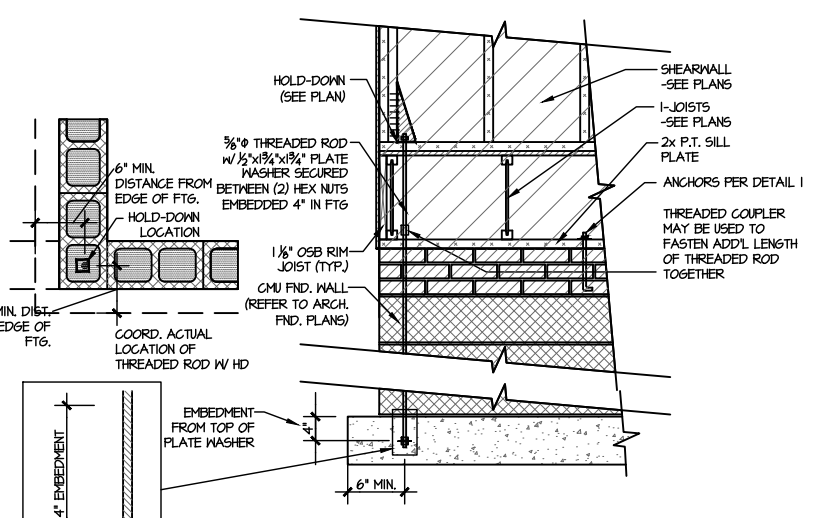
7 TYPICAL CRAWLSPACE FOUNDATION @ PORCH SLAB
SCALE: 3/8"=1'-0"



A TYPICAL CRAWLSPACE FOUNDATION HOLD-DOWN INSTALLATION
SCALE: 3/8"=1'-0" W/ STONE VENEER OR SIDING



B TYPICAL STEPPED FOOTING DETAIL
SCALE: NTS

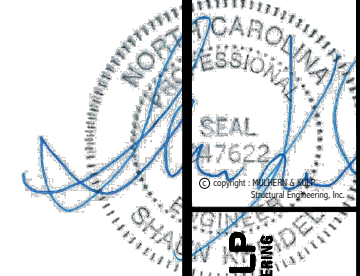


C TYPICAL CMU FOUNDATION HOLD-DOWN INSTALLATION
SCALE: 3/8"=1'-0"

MSK project number: 192-17017
project mgr: SMK
drawn by: MDS
issue date: 09-04-20
REVISIONS:
date: initial:
ARCH: v.01.01.00.00



FOUNDATION DETAILS
TELFAIR
WIND SPEED < 115 MPH NORTH CAROLINA



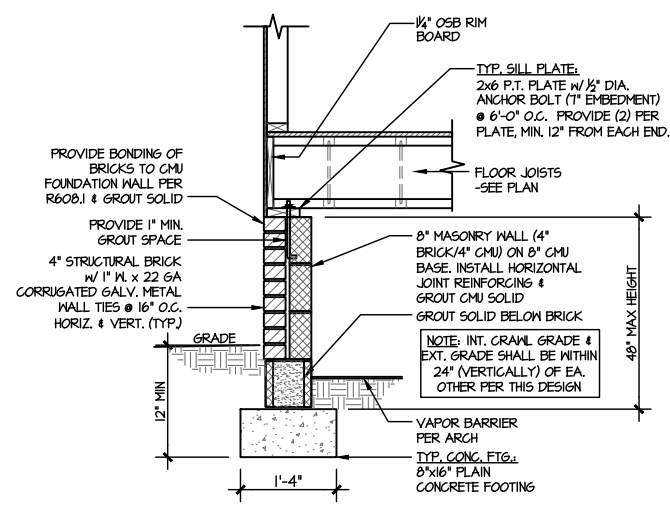
MULHERN+KULP
RESIDENTIAL STRUCTURAL ENGINEERING
300 Bluebirds Ave. Building 4 - Asheville, PA 18002
P: 212-605-0011 - mulhern@mulhernkulp.com
NC License # C-3825



MSK project number:
192-17017
project mgr: SMK
drawn by: MDS
issue date: 09-04-20
REVISIONS:
date: initial:
ARCH: v.01.01.00.00

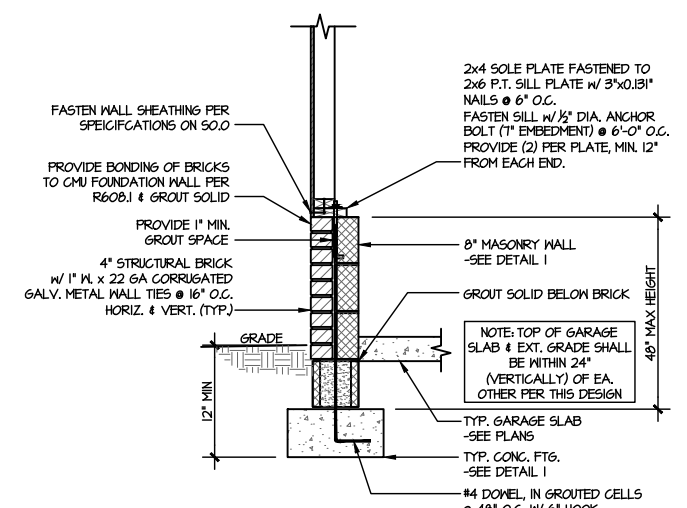


FOUNDATION DETAILS
TELFAIR
WIND SPEED < 115 MPH NORTH CAROLINA



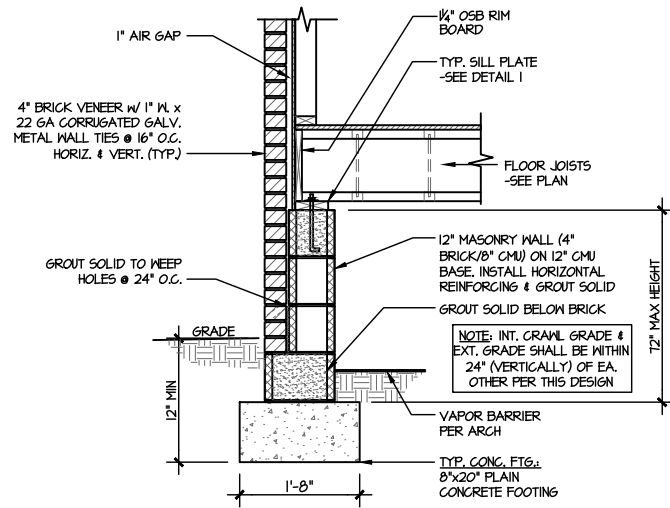
1 TYPICAL CRAWLSPACE FOUNDATION
SCALE: 3/8"=1'-0"
w/ BRICK WATERTABLE

2 NOT USED
SCALE: 3/8"=1'-0"



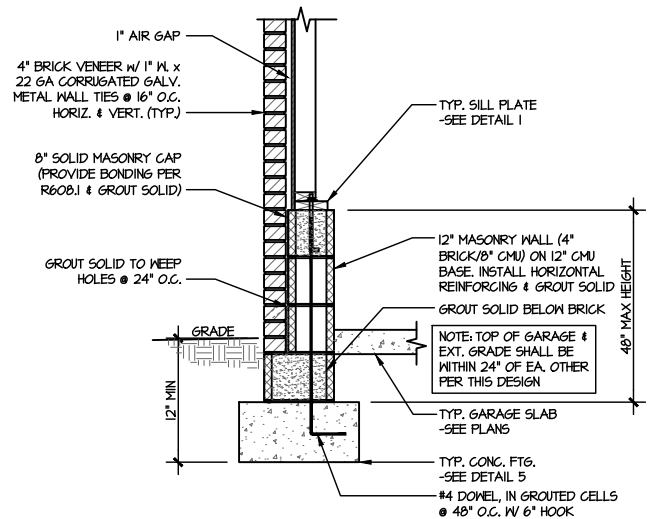
3 TYPICAL CRAWLSPACE FOUNDATION
@ EXTERIOR GARAGE WALL
SCALE: 3/8"=1'-0"
w/ BRICK WATERTABLE

4 NOT USED
SCALE: 3/8"=1'-0"



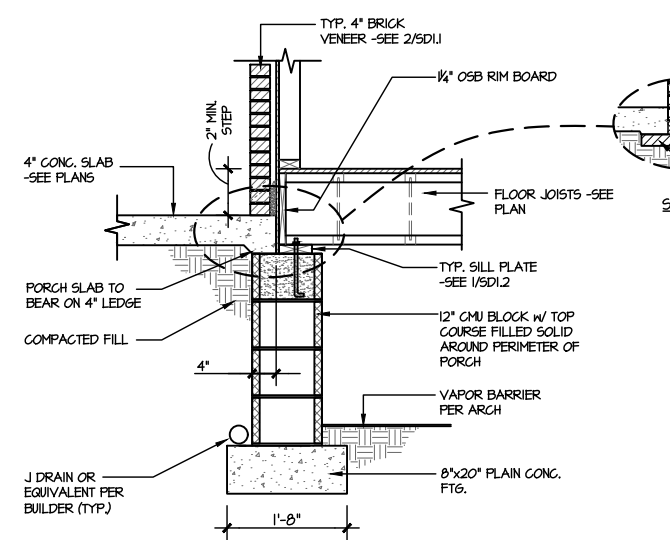
5 TYPICAL CRAWLSPACE FOUNDATION
SCALE: 3/8"=1'-0"
w/ FULL BRICK VENEER

6 NOT USED
SCALE: 3/8"=1'-0"

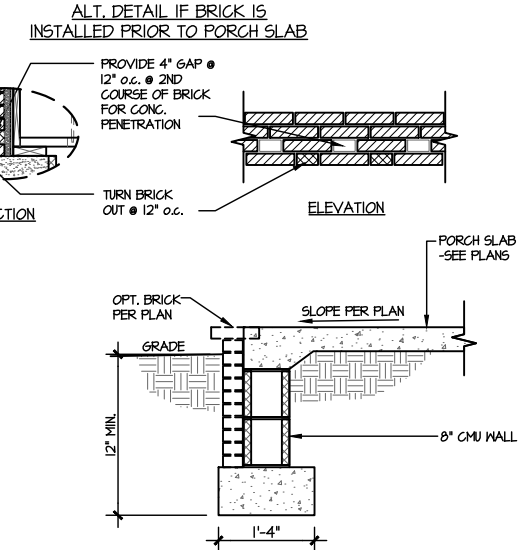


7 TYPICAL CRAWLSPACE FOUNDATION
@ EXTERIOR GARAGE WALL
SCALE: 3/8"=1'-0"
w/ FULL BRICK VENEER

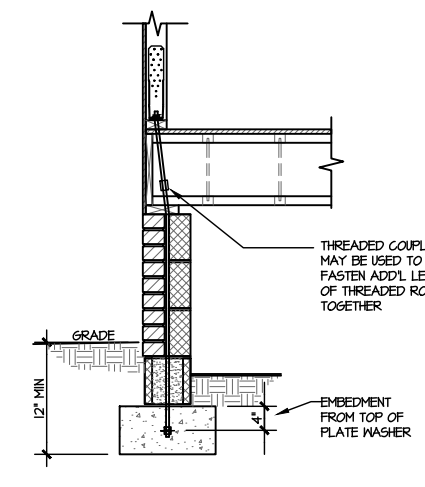
8 NOT USED
SCALE: 3/8"=1'-0"



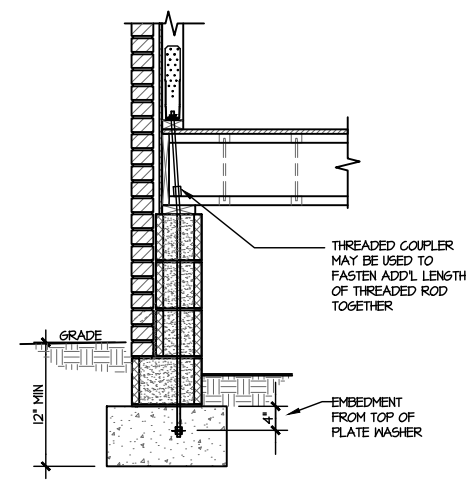
9 TYPICAL CRAWLSPACE FOUNDATION
@ PORCH/PATIO SLAB
SCALE: 3/8"=1'-0"
w/ BRICK VENEER



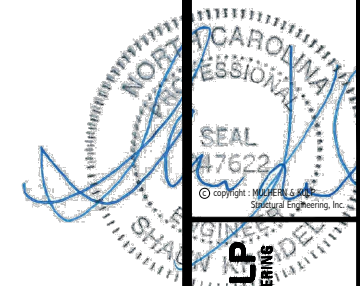
10 TYPICAL FOOTING @ PORCH SLAB
SCALE: 3/8"=1'-0"



D TYPICAL CRAWLSPACE FOUNDATION
HOLD-DOWN INSTALLATION
SCALE: 3/8"=1'-0"
w/ BRICK WATERTABLE



E TYPICAL CRAWLSPACE FOUNDATION
HOLD-DOWN INSTALLATION
SCALE: 3/8"=1'-0"
w/ FULL BRICK VENEER

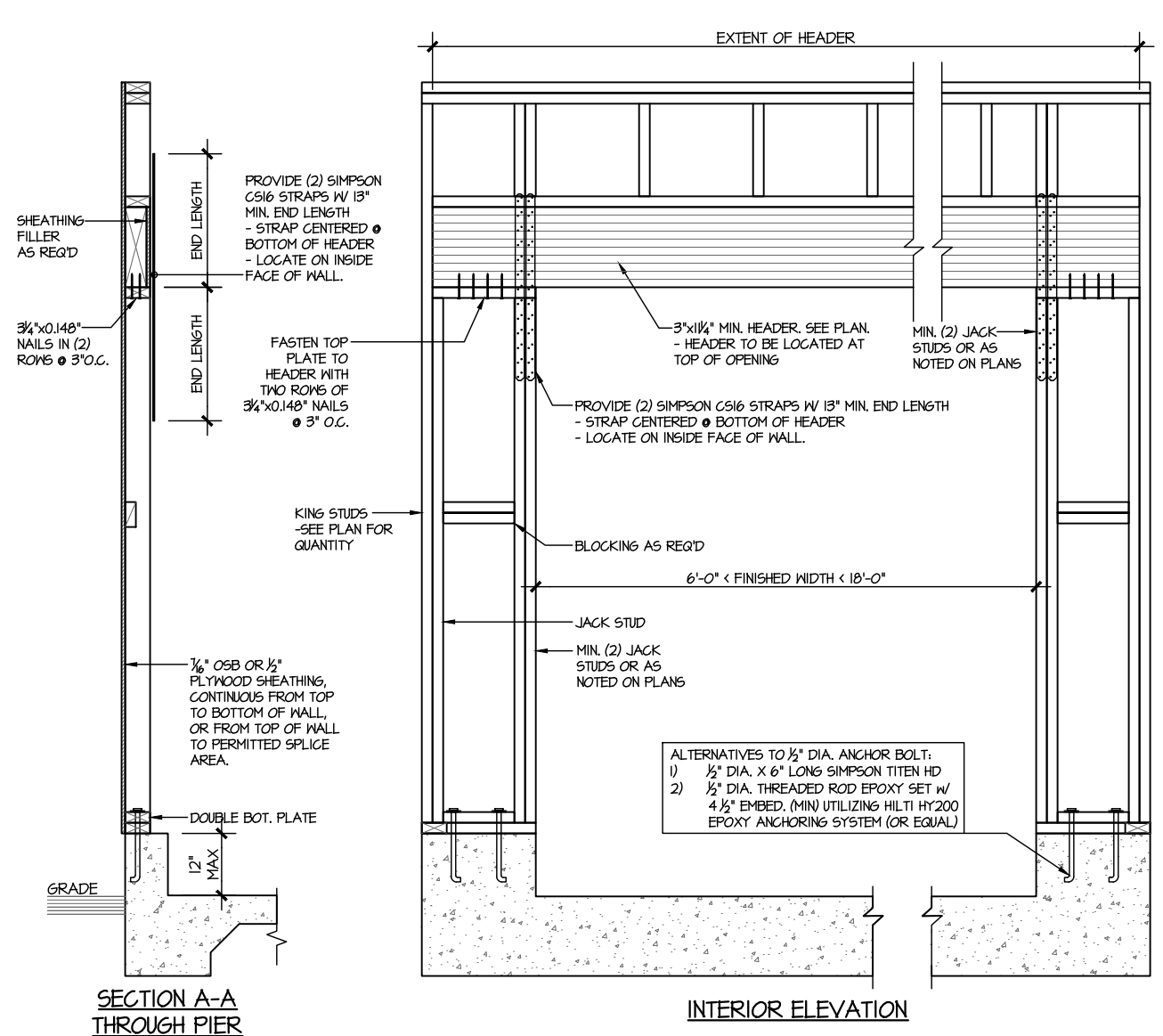
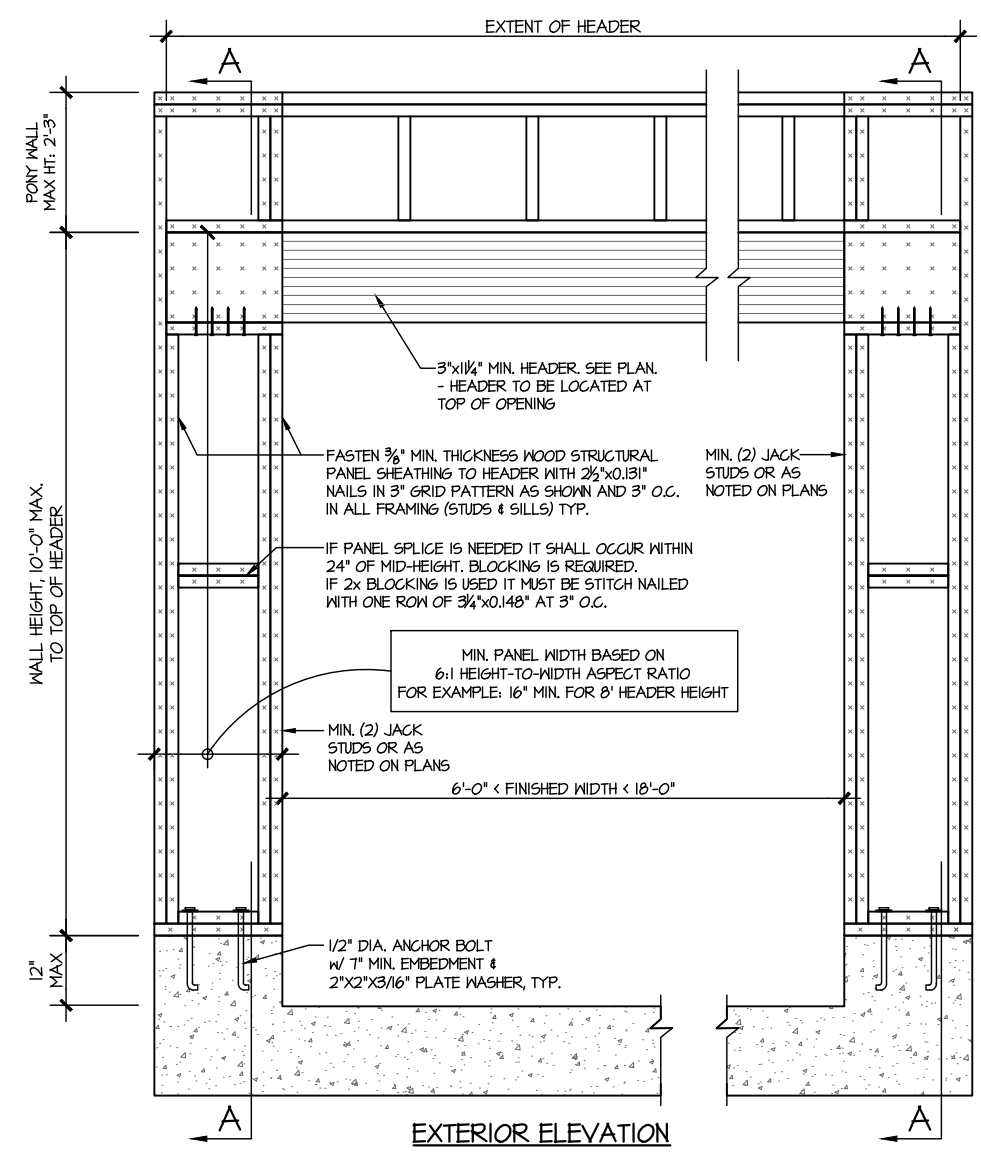


MULHERN+KULP
RESIDENTIAL STRUCTURAL ENGINEERING
300 Dorothea Ave., Building 4 - Asheville, PA 18002
P: 212-942-0001 - mulhern@mkulpe.com
NC License # C-3825

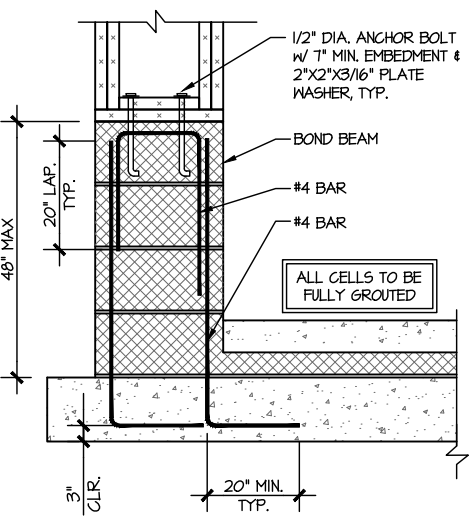
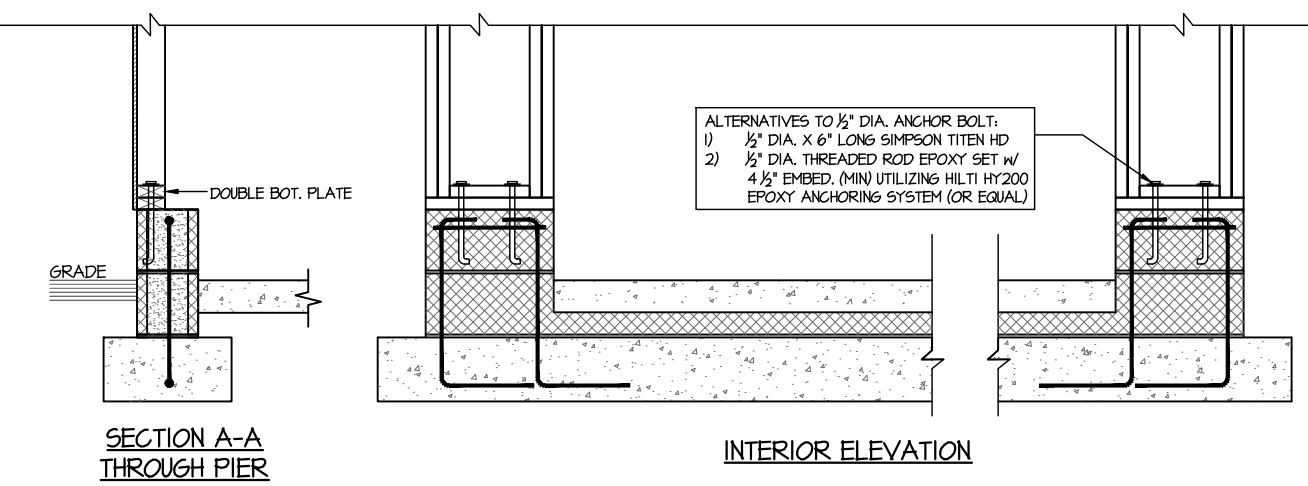
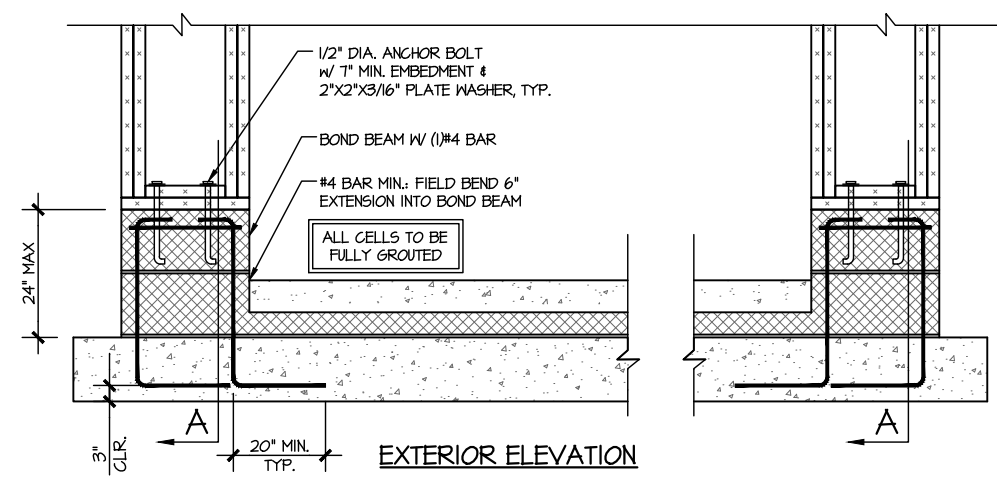
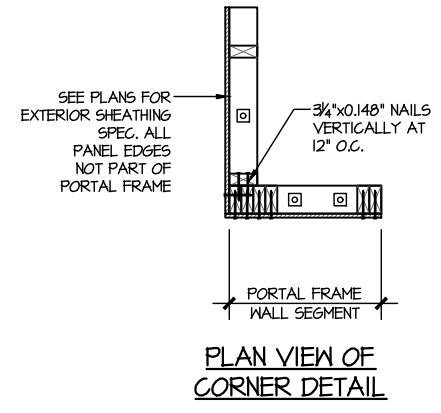
MSK project number:
192-17017
project mgr: SMK
drawn by: MDS
issue date: 09-04-20
REVISIONS:
date: initial:
ARCH: v.01.01.00.00



STRUCTURAL DETAILS
TELFAIR
WIND SPEED < 115 MPH NORTH CAROLINA



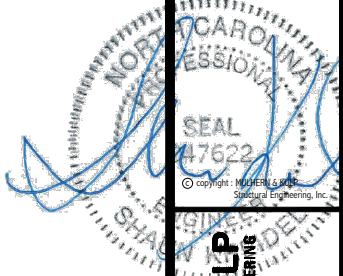
WALL FRAMING SPECIFICATION:
• 2x4 WALL: USE SP/SPF #2 GRADE STUDS (OR BETTER)
• 2x6 WALL: USE SP/SPF #2 GRADE STUDS (OR BETTER)



1 PORTAL FRAME DETAIL
SCALE: N.T.S.

RAISED SLAB FOUNDATION

**BOTH SIDES OF GARAGE DOOR
1 KING STUD & RETURN WALLS**

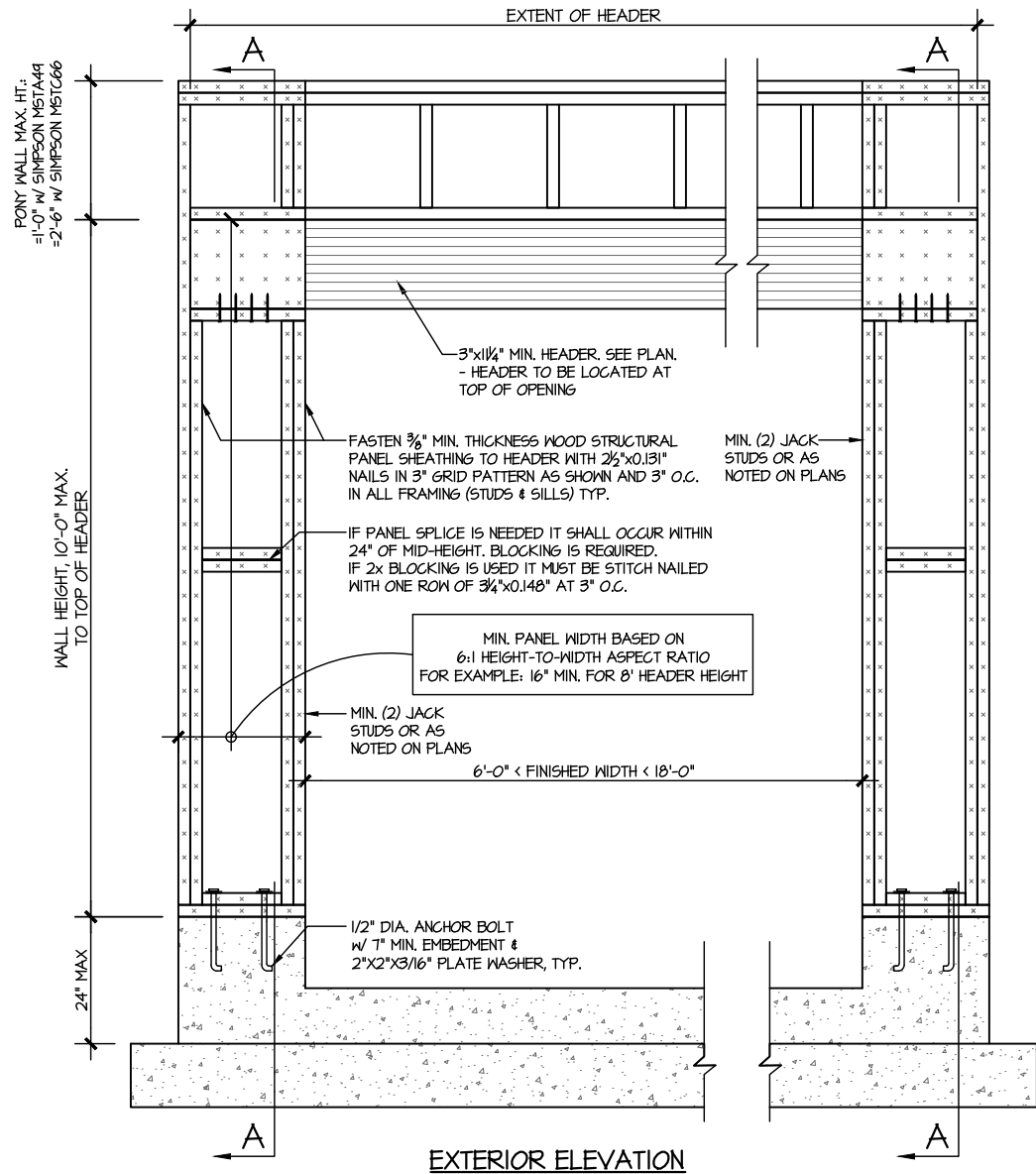


MULHERN+KULP
RESIDENTIAL STRUCTURAL ENGINEERING
300 Reynolds Ave., Building 4 - Asheville, PA, 18002
P: 212-605-8001 - mulhern@mkulpe.com
NC License # C-3825

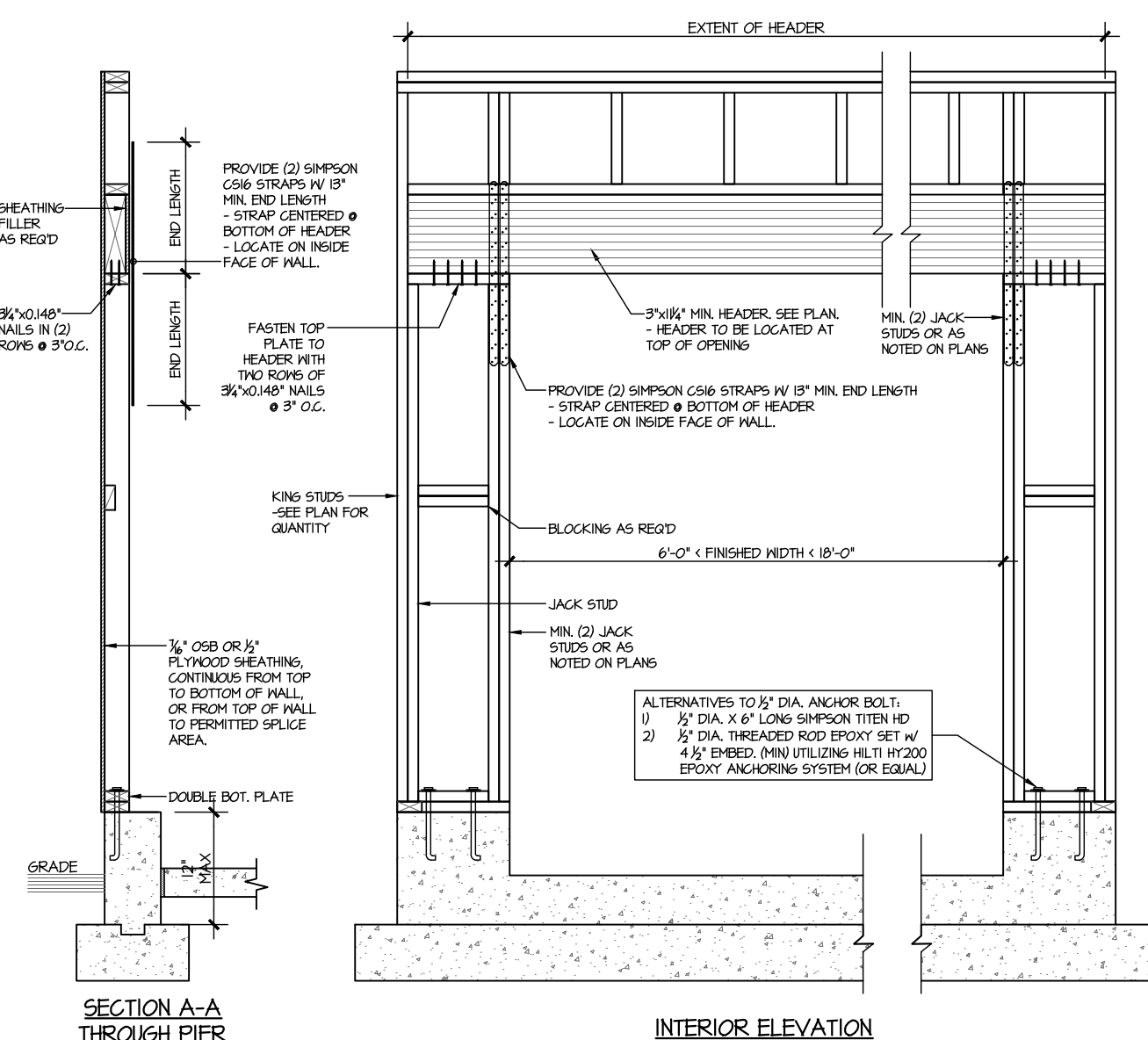
M&K project number:
192-17017
project mgr: **SMK**
drawn by: **MDS**
issue date: **09-04-20**
REVISIONS:
date: initial:
ARCH: v.01.01.00.00



STRUCTURAL DETAILS
TELFAIR
WIND SPEED < 115 MPH NORTH CAROLINA



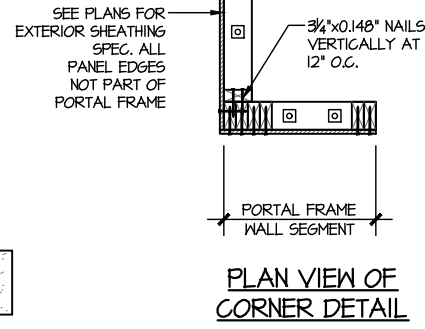
EXTERIOR ELEVATION



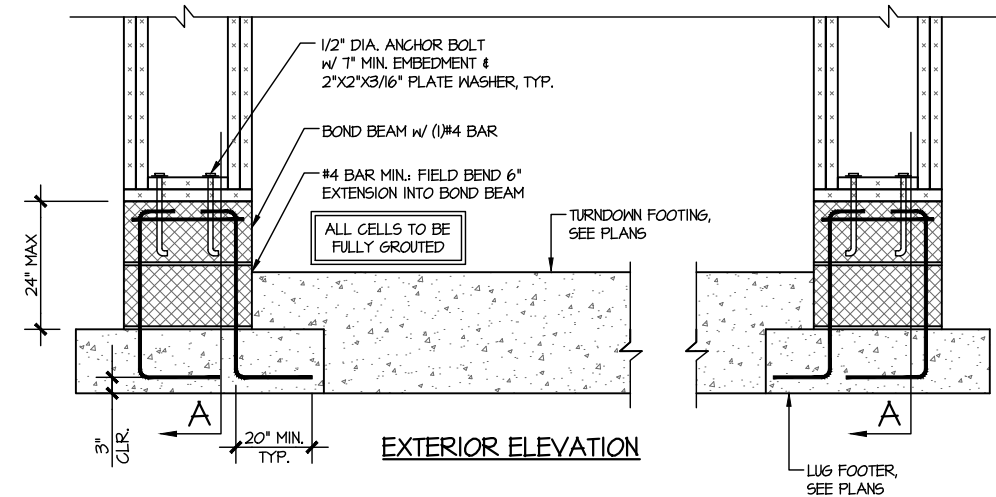
INTERIOR ELEVATION

SECTION A-A THROUGH PIER
BASEMENT FOUNDATION

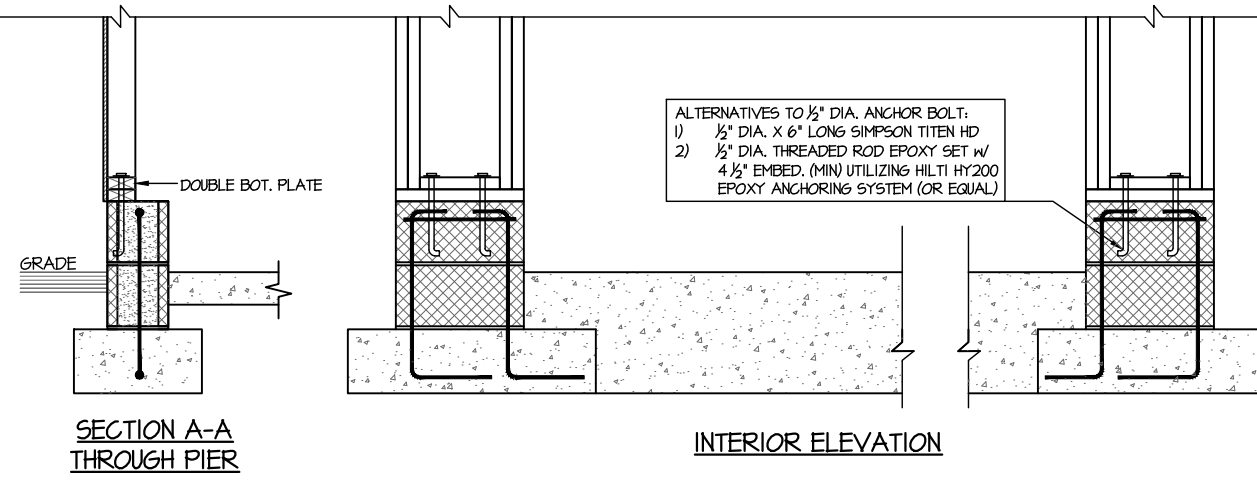
WALL FRAMING SPECIFICATION:
• 2x4 WALL: USE SP/SPF #2 GRADE STUDS (OR BETTER)
• 2x6 WALL: USE SP/SPF #2 GRADE STUDS (OR BETTER)



PLAN VIEW OF CORNER DETAIL



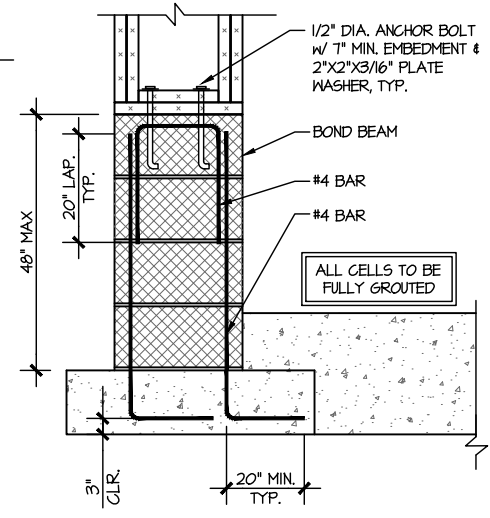
EXTERIOR ELEVATION



INTERIOR ELEVATION

SECTION A-A THROUGH PIER

CRAWLSPACE FOUNDATION



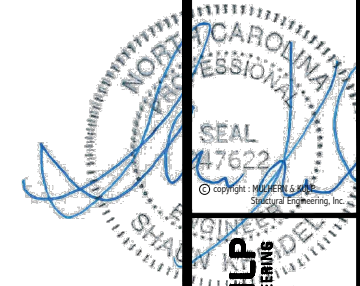
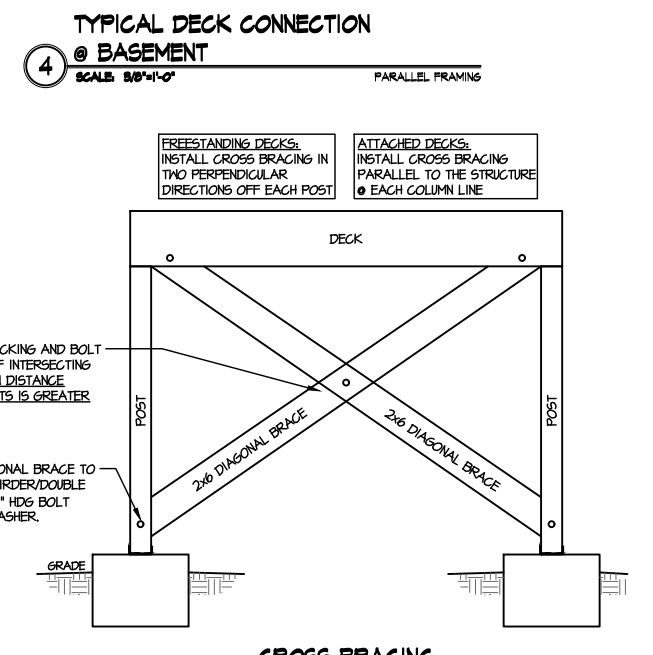
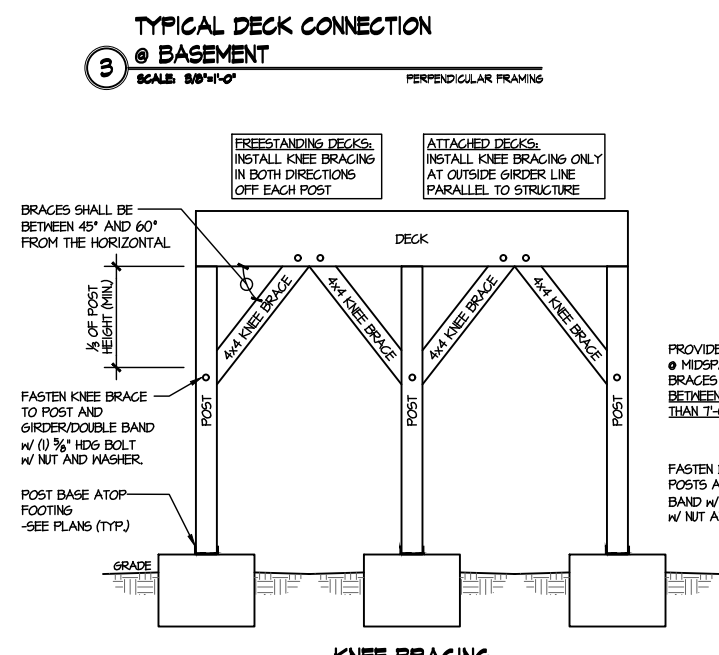
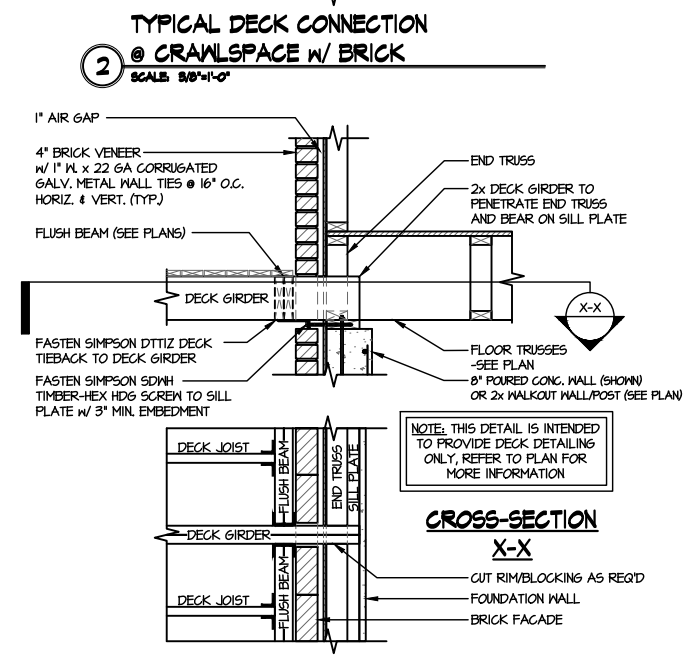
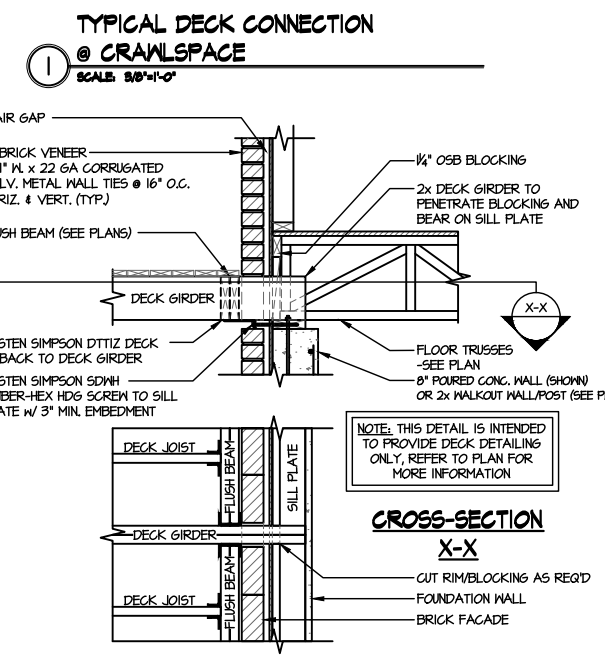
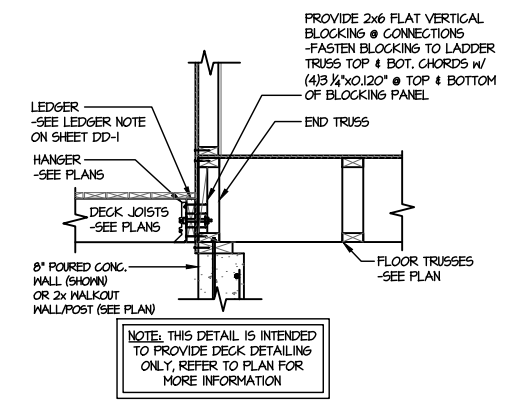
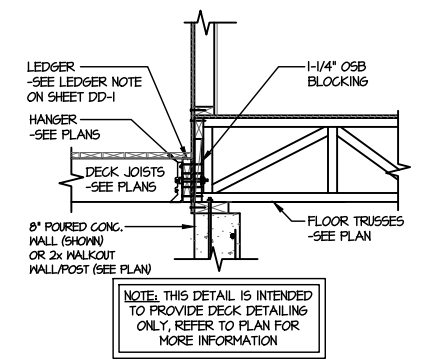
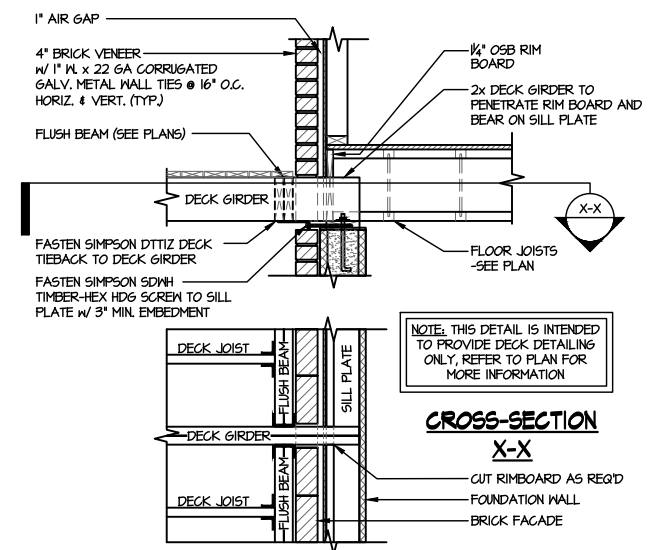
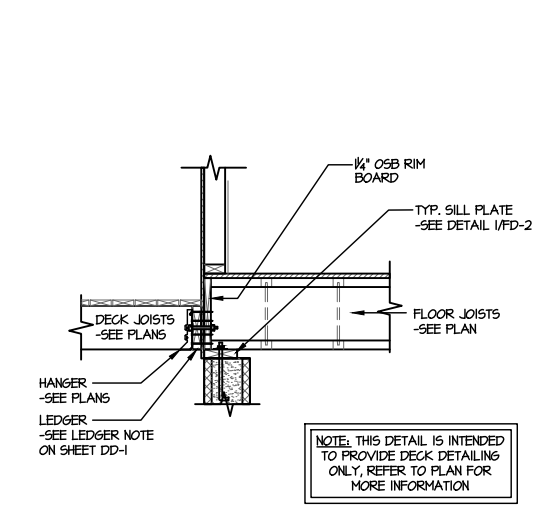
STEM HEIGHT > 24" & ≤ 48" TALL

1 PORTAL FRAME DETAIL
SCALE: N.T.S.

BOTH SIDES OF GARAGE DOOR
1 KING STUD & RETURN WALLS

LEDGER NOTE

- LEDGER TO END TRUSSES:
-FASTEN 2x LEDGER (MATCH D.J.) TO END TRUSSES VERTICALS w/ (1) 1/2" DIA. THRU BOLT + (4) 2 1/2"x0.135" NAILS @ 16" O.C. PACK OUT END TRUSSES AS REQ'D FOR LEDGER FASTENING.
- LEDGER TO RIMBOARD/BLOCKING:
-FASTEN 2x LEDGER (MATCH D.J.) TO RIMBOARD/BLOCKING w/ (1) 1/2" DIA. THRU BOLT + (4) 2 1/2"x0.135" NAILS @ 16" O.C.
- PROVIDE (2) BOLTS IN END (2) JOIST BAYS @ EACH END OF DECK
- INSTALL (1) SIMPSON H3 CLIP ON LAST (2) DECK JOISTS @ EACH END OF DECK, CONNECTING SIDE OF JOIST TO TOP OF LEDGER (IRC R502.2.2)
- ALT. LEDGER SPEC:
FASTEN 2x10 LEDGER TO RIMBOARD w/ (2) 1/2" DIA. X 3 1/2" LONG SIMPSON S05 SCREWS @ 16" O.C.
- NOT APPLICABLE AT BRICK CONDITIONS



MULHERN+KULP
RESIDENTIAL STRUCTURAL ENGINEERING
300 Bechtelville Ave, Building 4 - Asheville, NC 28802
P: 715-256-0811 - mulhern@mk.com
NC License # C-3825

M&K project number: 192-17017
project mgr: SMK
drawn by: MDS
issue date: 09-04-20

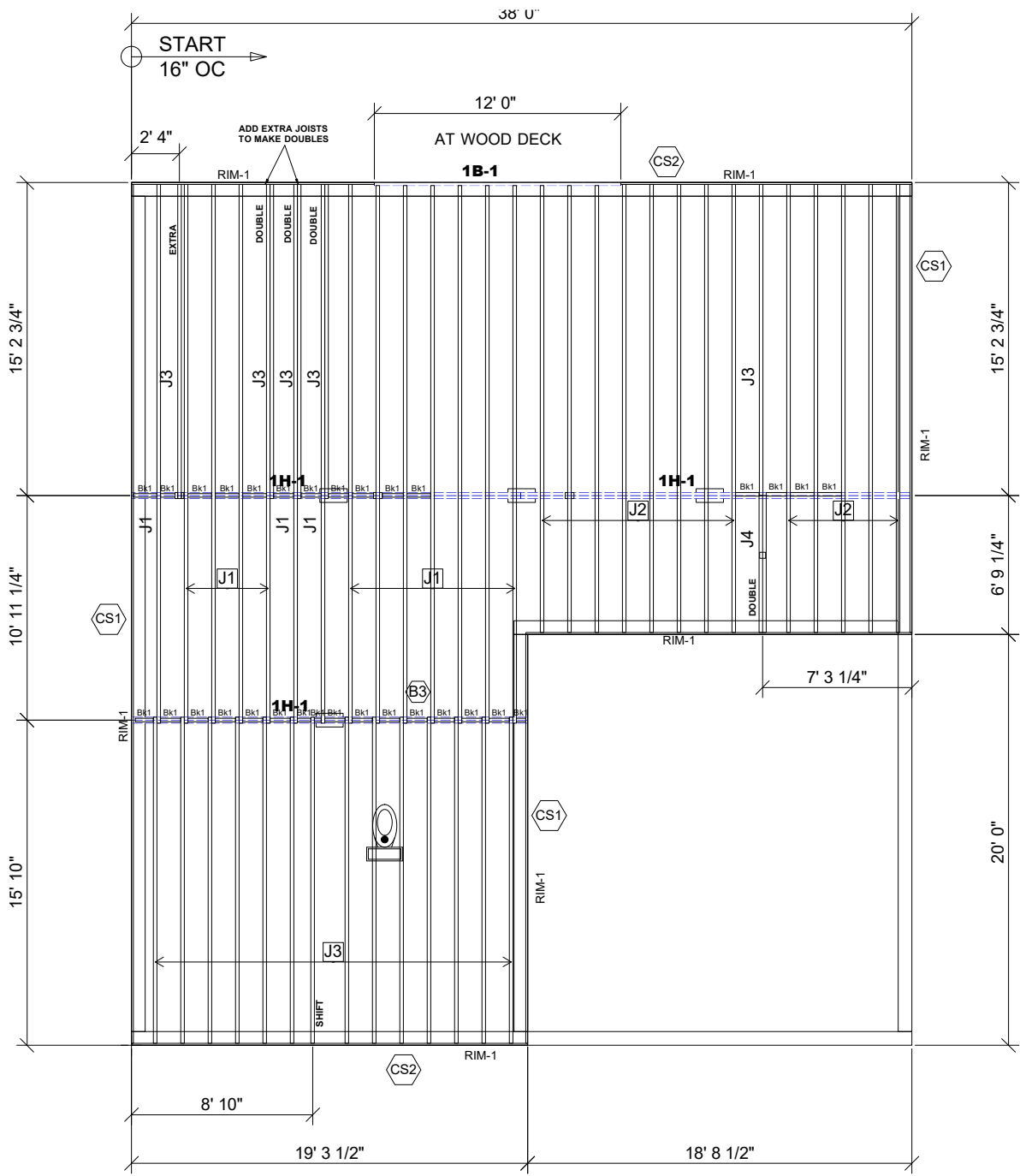
REVISIONS:
date: initial:

ARCH: v.01.01.00.00



FOUNDATION DETAILS
TELFAIR
WIND SPEED < 115 MPH NORTH CAROLINA

THIS IS AN ENGINEERED WOOD PRODUCT (EWP) MEMBER PLACEMENT DIAGRAM ONLY; NOT AN ENGINEERED DOCUMENT. EWP members are designed as individual building components to be incorporated into the building design at the specification of the building designer. The Contractor is responsible for the temporary bracing of the floor system, and the building designer is responsible for the permanent bracing and blocking of the floor system and the overall structure. The design of the support structure including but not limited to headers, beams, walls, and columns is also the responsibility of the building designer. It is the responsibility of the General Contractor to verify that the provided layout matches the final intended construction plans, loading conditions, and use. If they do not, it is the responsibility of the General Contractor to notify UFP and provide plans containing the latest specifications and designs. UFP will not be responsible for plan changes by others after final approval of shop drawings, or for errors or modifications made on-site during construction. DO NOT CUT, NOTCH, DRILL, OR OTHERWISE "REPAIR" EWP MEMBERS IN ANY WAY WITHOUT PRIOR WRITTEN AUTHORIZATION BY A LICENSED PROFESSIONAL DESIGNATED BY UFP. The Framer is responsible to verify all dimensions, including adjusting member spacing within tolerances to allow for the drop and rise of plumbing/HVAC, unless noted otherwise. All connectors on this project are to be installed per the connector manufacturer's specifications. All connectors shown that are not joist to joist are suggestions only and are to be verified by the Building Designer or Engineer of Record for suitability to this particular project. UFP accepts no responsibility for the specific application or suitability of any connector that is not joist to joist as they apply to this specific structure.



Products					
PlotID	Length	Product	Plies	Net Qty	Fab Type
J1	27' 0"	11 7/8" TJ@ 210	1	14	MFD
J2	22' 0"	11 7/8" TJ@ 210	1	13	MFD
J3	16' 0"	11 7/8" TJ@ 210	1	19	MFD
J4	7' 0"	11 7/8" TJ@ 210	2	2	MFD
1H-1	20' 0"	1 3/4" x 9 1/4" 2.0E Microllam@ LVL	2	6	MFD
1B-1	12' 0"	1 3/4" x 11 7/8" 2.0E Microllam@ LVL	1	1	MFD
RIM-1	16' 0"	1 1/8" x 11 7/8" TJ@ Rim Board	1	11	MFD
Bk1	2' 0"	11 7/8" TJ@ 210	1	31	FF

Connector Summary		
PlotID	Qty	Manuf Product
H1	8	Simpson IUS2.06/11.88

• Avoid Plumbing Drops

FIELD LOCATE PLUMBING DROPS/CAN LIGHTS, ETC... PRIOR TO JOIST SECUREMENT TO AVOID INTERFERENCE.

LAYOUT FOR 19.2" O/C

1= 19-3/16"	9= 172-13/16"
2= 38-3/8"	10= 192"
3= 57-5/8"	11= 211-3/16"
4= 76-13/16"	12= 230-3/8"
5= 96"	13= 249-13/16"
6= 115-3/16"	14= 268-13/16"
7= 134-3/8"	15= 288"
8= 153-5/8"	

GENERAL NOTES:

- 1.) TOP CHORD OF JOISTS ARE PAINTED RED AT NUMBERED END. PLACE PAINTED END AS NOTED ON PLAN.
- 2.) FOLLOW SPECIAL SPACING AND LOCATION DIMENSIONS FOR EXTRAS OR SHIFTED JOISTS AS SHOWN ON PLAN.
- 3.) ALL INTERIOR WALL PLATES MUST BE LEVEL WITH OUTSIDE WALL TOP PLATES.
- 4.) DO NOT STACK CONSTRUCTION LOADS ON UN-BRACED JOISTS.
- 5.) PROVIDE SOLID SUPPORT BELOW ALL BEAM AND HEADER BEARING POINTS IN WALL AND JOIST SPACES CONTINUOUS DOWN TO THE FOUNDATION.
- 6.) LOCATE CRIPPLE STUDS IN JOIST SPACE DIRECTLY BELOW HEADER JACKS AT ALL FIRST FLOOR EXTERIOR DOOR LOCATIONS.
- 7.) INSTALL NAILS IN ALL HOLES PROVIDED IN JOIST HANGERS EXCEPT AT BOTTOM CHORD SEAT. PLACE A DAB OF GLUE IN THE HANGER SEAT BEFORE SETTING JOISTS.
- 8.) IMPORTANT NOTE! NO STRUCTURAL ANALYSIS OF CONVENTIONAL HEADERS HAS BEEN CONDUCTED IF NOT NOTED. THEY ARE CONSIDERED TO BE ADEQUATE TO SUPPORT THE APPLIED LOADS.

PLAN LEGEND

- 1B-, 2B-** *INDICATES BEAM ABOVE TOP PLATE (FLUSH WITH FLOOR SYSTEM)
 - H-, 1H-, GDH-** *INDICATES BEAM BELOW TOP PLATE (GROUPED BELOW FLOOR SYSTEM)
- *BEAMS MAY PROTRUDE ABOVE OR BELOW DECKING OR TOP PLATE RESPECTIVELY. REFER TO DETAIL IF BEAM IS A DIFFERENT DEPTH THAN FLOOR SYSTEM
- SINGLE PLY BEAM** - SINGLE LINE FOR EACH ADDITIONAL PLY
 - SHIFT** - SHIFT JOIST TO MISS PLUMBING, ALIGN WITH WALL OR SUPPORT FURNITURE
 - EXTRA** - A JOIST ADDED TO THE LAYOUT IN ADDITION TO THE ON CENTER JOISTS
 - DOUBLE** - TWO JOISTS SIDE BY SIDE (ONLY ASSEMBLED IF NOTED)
- ALL DIMENSIONS TO CENTERLINE UNLESS OTHERWISE NOTED**

FRAMER NOTE

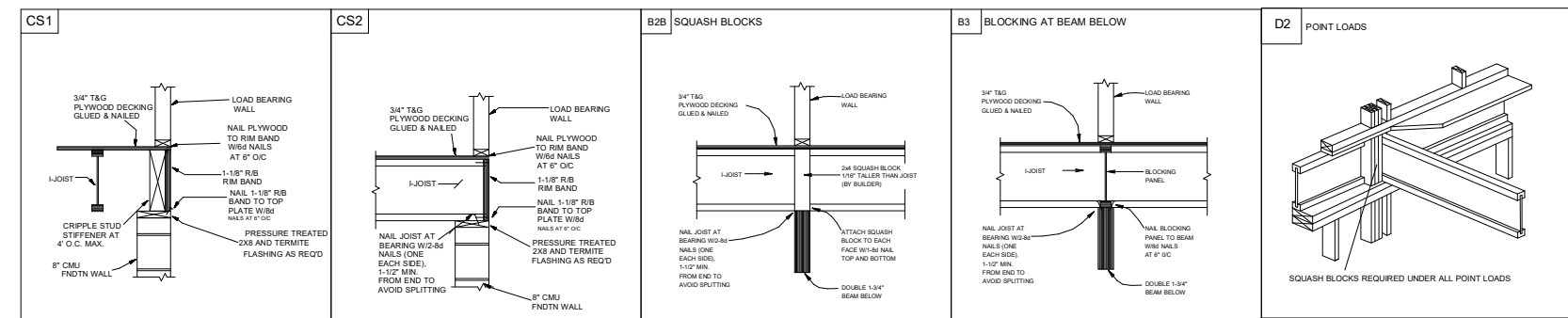
1. GLUE AND NAIL PLYWOOD SUBFLOOR TO BEAMS AND GIRDERS AT 6" O/C WHERE NO WALL IS ABOVE.
2. FILL HANGER SEAT WITH GLUE BEFORE SETTING JOIST IN HANGER. FILL ROUND HOLES WITH NAILS.

CRITICAL !!

INSTALL 2X4 SQUASH BLOCKS IN FLOOR TRUSS SPACE BELOW ALL EXTERIOR DOOR HEADER JACKS. CUT 1/16" TALLER THAN TRUSS.

FIELD VERIFY DIMENSIONS TO JOISTS LOCATED UNDER WALLS!!

1ST FLOOR LAYOUT



1ST FLOOR PLACEMENT PLAN

SCALE: 1/8"=1'

UFP SITE BUILT
A UFP INDUSTRIES COMPANY

Burlington, NC
Chesapeake, VA
Clinton, NC
Conway, SC
Jefferson, GA

Locust, NC
Liberty, NC
Ooltewah, TN
Pearisburg, VA
Stanfield, NC

Customer Service (800) 476-9356



This drawing is property of UFP Site Built, LLC. Any unauthorized use of this document without written permission is prohibited. UFP relinquishes ownership of delivered product upon delivery. Owner of product must obtain UFP's authorization prior to any alteration or modification of product. UFP will not be held responsible for any unauthorized modifications done or costs incurred without prior written authorization from UFP.

MUNGO HOMES OF NC

CAMBRIDGE RESERVE

TELFAIR

LOT 42

ANGIER, NC

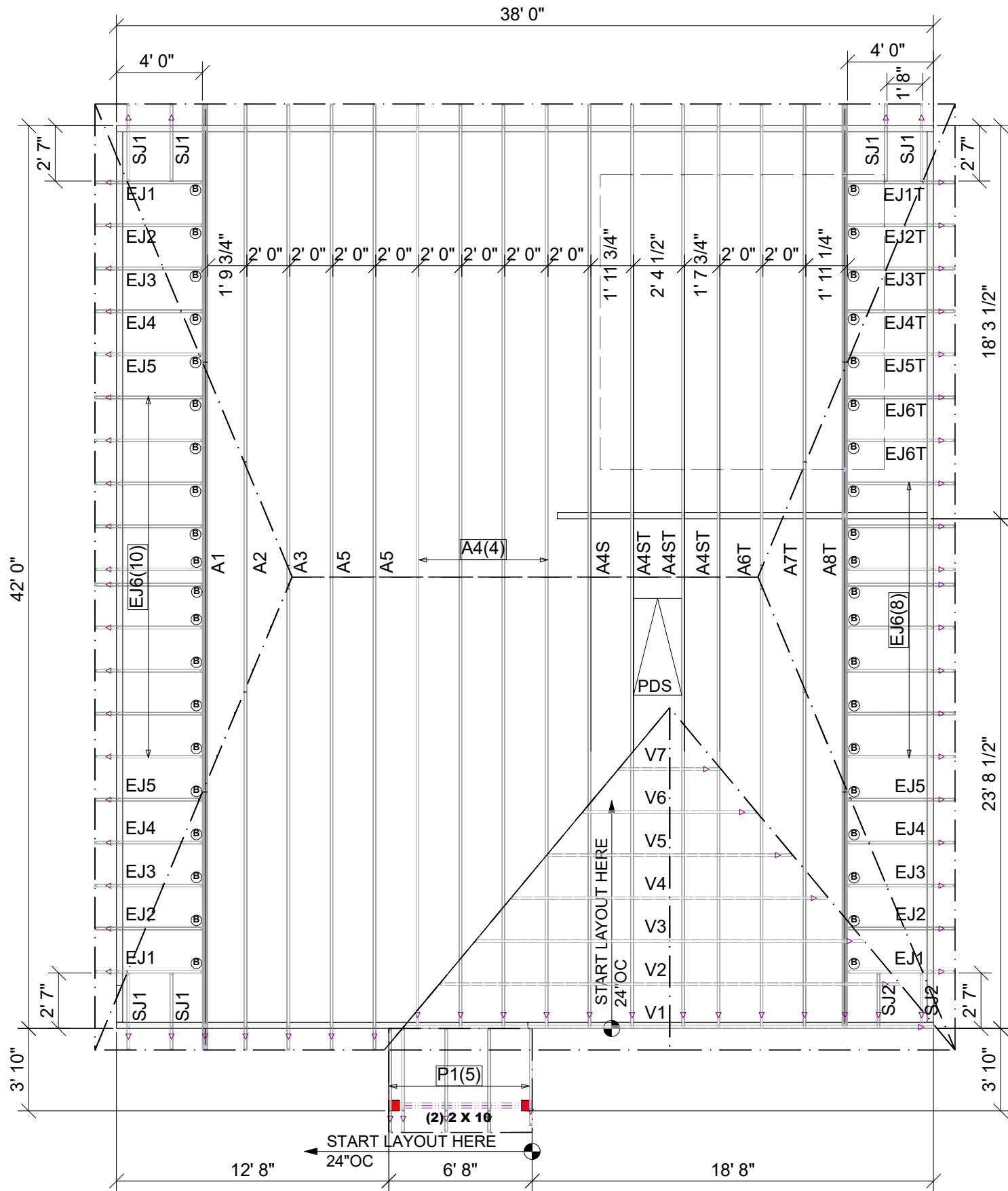
REVISIONS	DATE	DESCRIPTION	DSN

DESIGNER GB1
LAYOUT DATE 11/13/2024
ARCH DATE
STRUC DATE
JOB #: 25010937F1

72501434 42 CANBRIDGE RESERVE

THIS IS A TRUSS PLACEMENT DIAGRAM (TPD) ONLY; NOT AN ENGINEERED DOCUMENT. Trusses are designed as individual building components to be incorporated into the building design at the specification of the building designer. See individual truss design drawings (TDD's) for each truss design identified on the TPD. The Contractor is responsible for the temporary bracing of the roof and floor system, and requirements for the permanent restraint/bracing of truss systems may be met by following the methods outlined in ANSI-TPI 1-2014 - 2.3.3. The design of the support structure including but not limited to headers, beams, walls, and columns is also the responsibility of the building designer. For general guidance regarding installation and bracing, consult "Building Component Safety Information" (BCSI) available from the SBC Association (www.sbcassociation.com). It is the responsibility of the General Contractor to verify that the provided component layout matches the final intended construction plans, loading conditions, and use. If they do not, it is the responsibility of the General Contractor to notify UFP and provide plans containing the latest specifications and designs. UFP will not be responsible for plan changes by others after final approval of shop drawings, or for errors or modifications made on-site during construction. DO NOT CUT, NOTCH, DRILL, OR OTHERWISE "REPAIR" MANUFACTURED TRUSSES IN ANY WAY WITHOUT PRIOR WRITTEN AUTHORIZATION BY A LICENSED PROFESSIONAL DESIGNATED BY UFP. The Framing is responsible to verify all dimensions, including adjusting member spacing within tolerances to allow for the drop and rise of plumbing/HVAC, unless noted otherwise. Truss-to-wall connections, if shown, are for uplift only and do not consider lateral loads. All connectors on this project are to be installed per the connector manufacturer's specifications. All connectors shown that are not truss-to-truss are suggestions only and are to be verified by the Building Designer or Engineer of Record for suitability to this particular project. UFP accepts no responsibility for the specific application or suitability of any connector that is not truss-to-truss as they apply to this specific structure.

ROOF PLACEMENT PLAN




****NOTE****
 (4) LUS26 HANGERS TO BE USED @ PDS HEADERS (NOT SHOWN)
 ADD 2X4 BLOCKING IN FIELD FOR ROOF SHEATHING AND DRYWALL @ PULL DOWN STAIR AREA AS NEEDED

Roof Hanger List		
MARK	TYPE	QTY
(B)	LUS26	40

△ INDICATES LEFT END OF TRUSS SCALE: N.T.S

ROOF AREA: 2082.36 ft ² sqft	RIDGE LINE: 37.59 ft	VALLEY LINES: 43.53 ft	HIP LINES: 102.14 ft	THESE VALUES ARE APPROXIMATE ONLY																		
TELFAIR A ROOF		MUNGO HOMES																				
<table border="1"> <thead> <tr> <th>REVISIONS</th> <th>DESCRIPTION</th> <th>DSN</th> </tr> </thead> <tbody> <tr> <td> </td> <td> </td> <td> </td> </tr> <tr> <td> </td> <td> </td> <td> </td> </tr> <tr> <td> </td> <td> </td> <td> </td> </tr> <tr> <td> </td> <td> </td> <td> </td> </tr> <tr> <td> </td> <td> </td> <td> </td> </tr> </tbody> </table>					REVISIONS	DESCRIPTION	DSN															
REVISIONS	DESCRIPTION	DSN																				
DESIGNER LJP LAYOUT DATE 01/07/2025 ARCH DATE - STRUC DATE - JOB #: 25010215																						


UFP SITE BUILT
 A UFP INDUSTRIES COMPANY
 Burlington, NC Locust, NC
 Chesapeake, VA Liberty, NC
 Clinton, NC Ooltewah, TN
 Conway, SC Pearisburg, VA
 Jefferson, GA Stanfield, NC
 Customer Service (800) 476-9356