

| | | | | | |
|-----------------|-------------|---------------------|----------|----------|---|
| Job 72500853 | Truss A1 | Truss Type Truss | Qty 3 | Ply 1 | MUNGO HOMES - MCDOWELL D ROOF Job Reference (optional) 40 CBR |
|-----------------|-------------|---------------------|----------|----------|---|

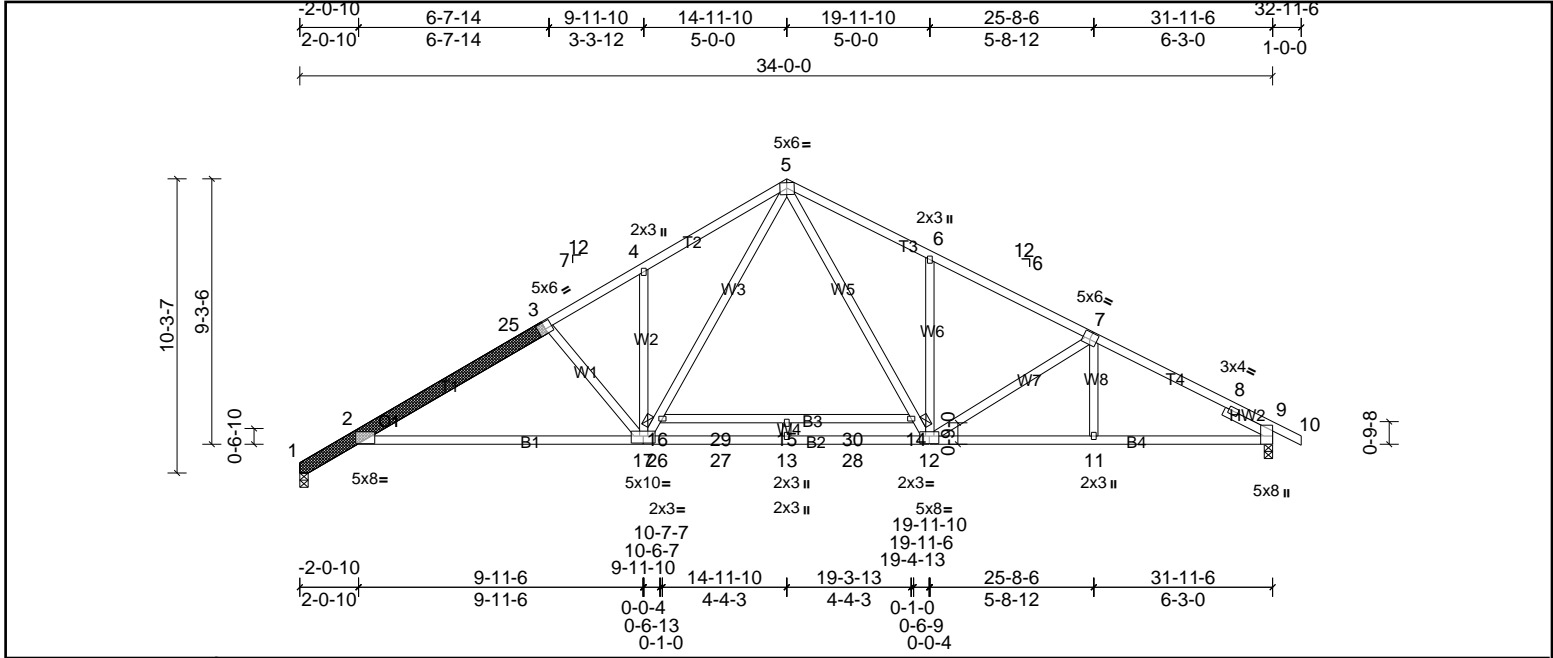


Plate Offsets (X, Y): [2:0-4-0,0-1-10], [5:0-2-14,Edge], [7:0-3-0,0-3-0], [12:0-4-0,0-3-4], [17:0-5-0,0-3-0]

| Loading | (psf) | Spacing | 2-0-0 | CSI | DEFLL | in | (loc) | l/defl | L/d | PLATES | GRIP | |
|-------------|-------|-----------------|-----------------|------------|-------|----------|-------|--------|------|--------|----------------|----------|
| TCLL (roof) | 20.0 | Plate Grip DOL | 1.15 | TC | 0.86 | Vert(LL) | -0.47 | 13-17 | >868 | 240 | MT20 | 244/190 |
| TCDL | 10.0 | Lumber DOL | 1.15 | BC | 0.98 | Vert(CT) | -0.90 | 15-16 | >452 | 180 | | |
| BCLL | 0.0* | Rep Stress Incr | YES | WB | 0.61 | Horz(CT) | 0.27 | 9 | n/a | n/a | | |
| BCDL | 10.0 | Code | IRC2015/TPI2014 | Matrix-MSH | | | | | | | Weight: 248 lb | FT = 20% |

| LUMBER | BRACING |
|---|---|
| TOP CHORD 2x4 SP No.2 *Except* T4:2x4 SP No.1, T1:2x6 SP No.2 | TOP CHORD Structural wood sheathing directly applied or 2-4-0 oc purlins. |
| BOT CHORD 2x4 SP No.1 *Except* B4:2x4 SP SS, B3:2x4 SP No.2 | BOT CHORD Rigid ceiling directly applied or 2-2-0 oc bracing. |
| WEBS 2x4 SP No.3 | |
| LBR SCAB 3-1 SP No.2 both sides | |
| SLIDER Right 2x4 SP No.3 -- 1-11-0 | |

| REACTIONS | (lb/size) |
|------------|--------------------------------|
| Max Horiz | 1=265 (LC 8) |
| Max Uplift | 1=-113 (LC 10), 9=-148 (LC 11) |
| Max Grav | 1=1496 (LC 17), 9=1506 (LC 1) |

| FORCES | (lb) - Max. Comp./Max. Ten. - All forces 250 (lb) or less except when shown. |
|-----------|---|
| TOP CHORD | 1-2=-733/161, 2-25=-2929/376, 3-25=-2631/401, 3-4=-2493/387, 4-5=-2521/505, 5-6=-2201/516, 6-7=-2181/381, 7-8=-2380/432, 8-9=-565/0 |
| BOT CHORD | 2-17=-351/2656, 17-26=0/1515, 26-27=0/1515, 13-27=0/1515, 13-28=0/1515, 12-28=0/1515, 11-12=-259/2051, 9-11=-258/2051 |
| WEBS | 16-17=-262/1305, 5-16=-209/1375, 5-14=-217/982, 12-14=-272/895, 6-12=-360/244, 7-12=-290/205, 3-17=-650/219 |

- NOTES**
- Attached 9-11-6 scab 1 to 3, both face(s) 2x6 SP No.2 with 2 row(s) of 10d (0.131"x3") nails spaced 9" o.c.except : starting at 5-11-14 from end at joint 3, nail 2 row(s) at 4" o.c. for 2-6-7.
 - Unbalanced roof live loads have been considered for this design.
 - Wind: ASCE 7-10; Vult=130mph (3-second gust) Vasd=103mph; TCCL=6.0psf; BCDL=6.0psf; h=35ft; Cat. II; Exp B; Enclosed; MWFRS (envelope) exterior zone and C-C Exterior (2) zone; cantilever left and right exposed ; end vertical left and right exposed;C-C for members and forces & MWFRS for reactions shown; Lumber DOL=1.60 plate grip DOL=1.60
 - This truss has been designed for a 10.0 psf bottom chord live load nonconcurrent with any other live loads.
 - * This truss has been designed for a live load of 20.0psf on the bottom chord in all areas where a rectangle 3-06-00 tall by 2-00-00 wide will fit between the bottom chord and any other members, with BCDL = 10.0psf.
 - Bearing at joint(s) 1 considers parallel to grain value using ANSI/TPI 1 angle to grain formula. Building designer should verify capacity of bearing surface.
 - Provide mechanical connection (by others) of truss to bearing plate capable of withstanding 148 lb uplift at joint 9 and 113 lb uplift at joint 1.
 - This truss is designed in accordance with the 2015 International Residential Code sections R502.11.1 and R802.10.2 and referenced standard ANSI/TPI 1.



| | | | | | |
|-----------------|--------------|---------------------|----------|----------|---|
| Job 72500853 | Truss A1G | Truss Type Truss | Qty 1 | Ply 1 | MUNGO HOMES - MCDOWELL D ROOF Job Reference (optional) |
|-----------------|--------------|---------------------|----------|----------|---|

UFP Mid Atlantic LLC, 5631 S. NC 62, Burlington, NC, Joy Perry

Run: 8.81 S Sep 13 2024 Print: 8.810 S Sep 13 2024 MiTek Industries, Inc. Fri Jan 10 12:25:07

Page: 1

ID:q6xmDaGgPr4T8wcGw4bQWzKH9V-4pWPm?jLPVvW4OYhdVafEYL9zww5Elm481zwmqB

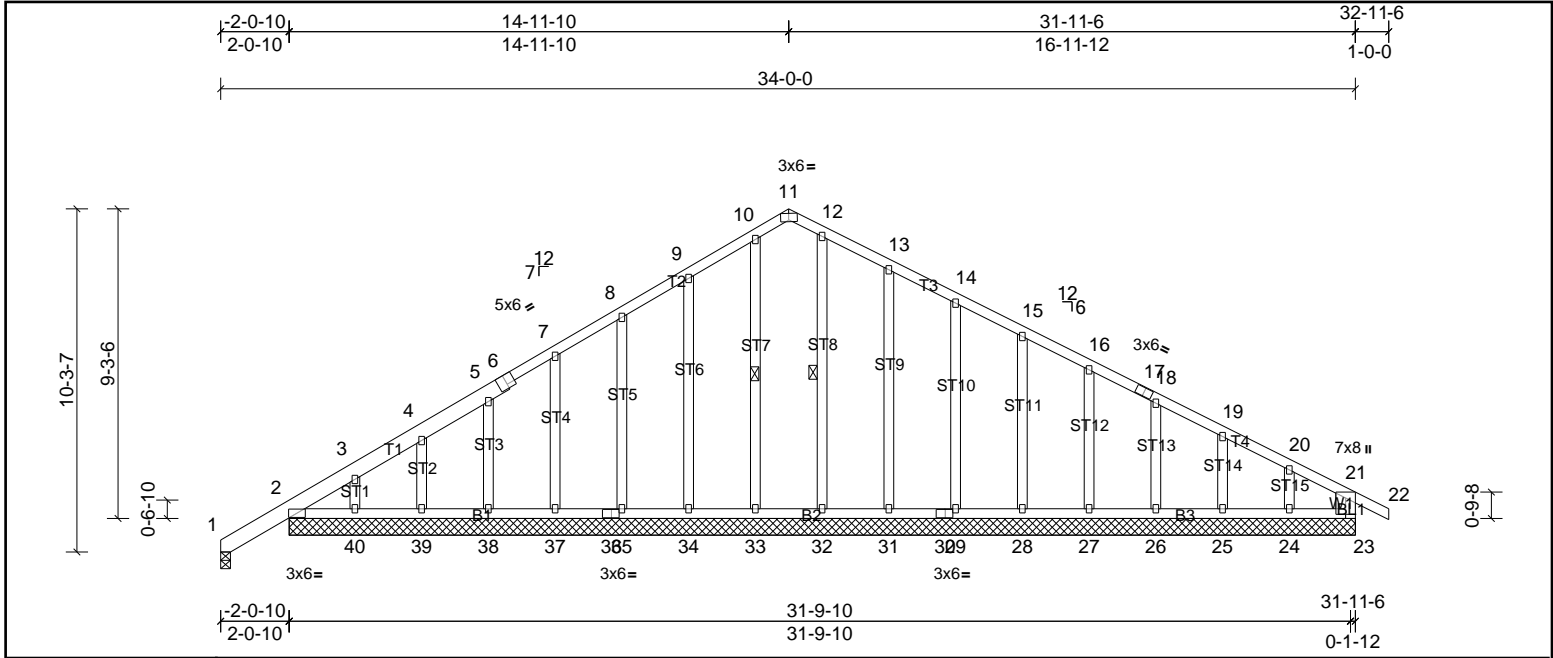


Plate Offsets (X, Y): [6:0-3-0,Edge], [11:0-2-14,Edge], [21:0-2-0,0-3-8], [30:0-2-12,0-1-8], [36:0-2-12,0-1-8]

| Loading | (psf) | Spacing | 2-0-0 | CSI | DEFL | in | (loc) | l/defl | L/d | PLATES | GRIP | |
|-------------|-------|-----------------|-----------------|------------|------|----------|-------|--------|------|--------|----------------|----------|
| TCLL (roof) | 20.0 | Plate Grip DOL | 1.15 | TC | 0.14 | Vert(LL) | 0.00 | 41 | >999 | 240 | MT20 | 244/190 |
| TCDL | 10.0 | Lumber DOL | 1.15 | BC | 0.08 | Vert(CT) | -0.01 | 41 | >999 | 180 | | |
| BCLL | 0.0* | Rep Stress Incr | YES | WB | 0.14 | Horz(CT) | 0.01 | 23 | n/a | n/a | | |
| BCDL | 10.0 | Code | IRC2015/TPI2014 | Matrix-MSH | | | | | | | Weight: 221 lb | FT = 20% |

| LUMBER | BRACING |
|---|---|
| TOP CHORD 2x4 SP No.2 *Except* T1:2x6 SP No.2 | TOP CHORD Structural wood sheathing directly applied or 6-0-0 oc purlins, except end verticals. |
| BOT CHORD 2x4 SP No.2 | BOT CHORD Rigid ceiling directly applied or 6-0-0 oc bracing. |
| WEBS 2x4 SP No.3 | WEBS 1 Row at midpt |
| OTHERS 2x4 SP No.3 *Except* BL1:2x4 SP No.2 | |

REACTIONS All bearings 31-11-6. except 1=0-3-8
 (lb) - Max Horiz 1=272 (LC 8)
 Max Uplift All uplift 100 (lb) or less at joint(s) 1, 25, 26, 27, 28, 29, 31, 34, 35, 37, 38, 39, 40 except 24=113 (LC 11)
 Max Grav All reactions 250 (lb) or less at joint(s) 1, 23, 24, 25, 26, 27, 28, 29, 31, 32, 33, 34, 35, 37, 38, 39 except 40=367 (LC 17)

FORCES (lb) - Max. Comp./Max. Ten. - All forces 250 (lb) or less except when shown.

TOP CHORD 1-2=-209/297, 2-3=-238/265

WEBS 3-40=-271/86

- NOTES**
- Unbalanced roof live loads have been considered for this design.
 - Wind: ASCE 7-10; Vult=130mph (3-second gust) Vasd=103mph; TCCL=6.0psf; BCDL=6.0psf; h=35ft; Cat. II; Exp B; Enclosed; MWFRS (envelope) exterior zone and C-C Exterior (2) zone; cantilever left and right exposed ; end vertical left and right exposed;C-C for members and forces & MWFRS for reactions shown; Lumber DOL=1.60 plate grip DOL=1.60
 - Truss designed for wind loads in the plane of the truss only.
 - All plates are 2x3 MT20 unless otherwise indicated.
 - Gable studs spaced at 2-0-0 oc.
 - This truss has been designed for a 10.0 psf bottom chord live load nonconcurrent with any other live loads.
 - * This truss has been designed for a live load of 20.0psf on the bottom chord in all areas where a rectangle 3-06-00 tall by 2-00-00 wide will fit between the bottom chord and any other members.
 - Bearing at joint(s) 23, 1 considers parallel to grain value using ANSI/TPI 1 angle to grain formula. Building designer should verify capacity of bearing surface.
 - Provide mechanical connection (by others) of truss to bearing plate capable of withstanding 100 lb uplift at joint(s) 34, 35, 37, 38, 39, 40, 31, 29, 28, 27, 26, 25, 1 except (jt=lb) 24=113.
 - This truss is designed in accordance with the 2015 International Residential Code sections R502.11.1 and R802.10.2 and referenced standard ANSI/TPI 1.



This design is based upon parameters shown, and is for an individual building component to be installed and loaded vertically. Applicability of design parameters and proper incorporation of component is responsibility of the Building Designer. Building Designer shall verify all design information on this sheet for conformance with conditions and requirements of the specific building and governing codes and ordinances. Building Designer accepts responsibility for the correctness or accuracy of the design information as it may relate to a specific building. Certification is valid only when truss is fabricated by a UFPI plant. Bracing shown is for lateral support of truss members only and does not replace erection and permanent bracing. Refer to Building Component Safety Information (BCSI) for general guidance regarding storage, erection and bracing available from SBCA and Truss Plate Institute.



| | | | | | |
|-----------------|-------------|---------------------|----------|----------|---|
| Job 72500853 | Truss A2 | Truss Type Truss | Qty 9 | Ply 1 | MUNGO HOMES - MCDOWELL D ROOF Job Reference (optional) |
|-----------------|-------------|---------------------|----------|----------|---|

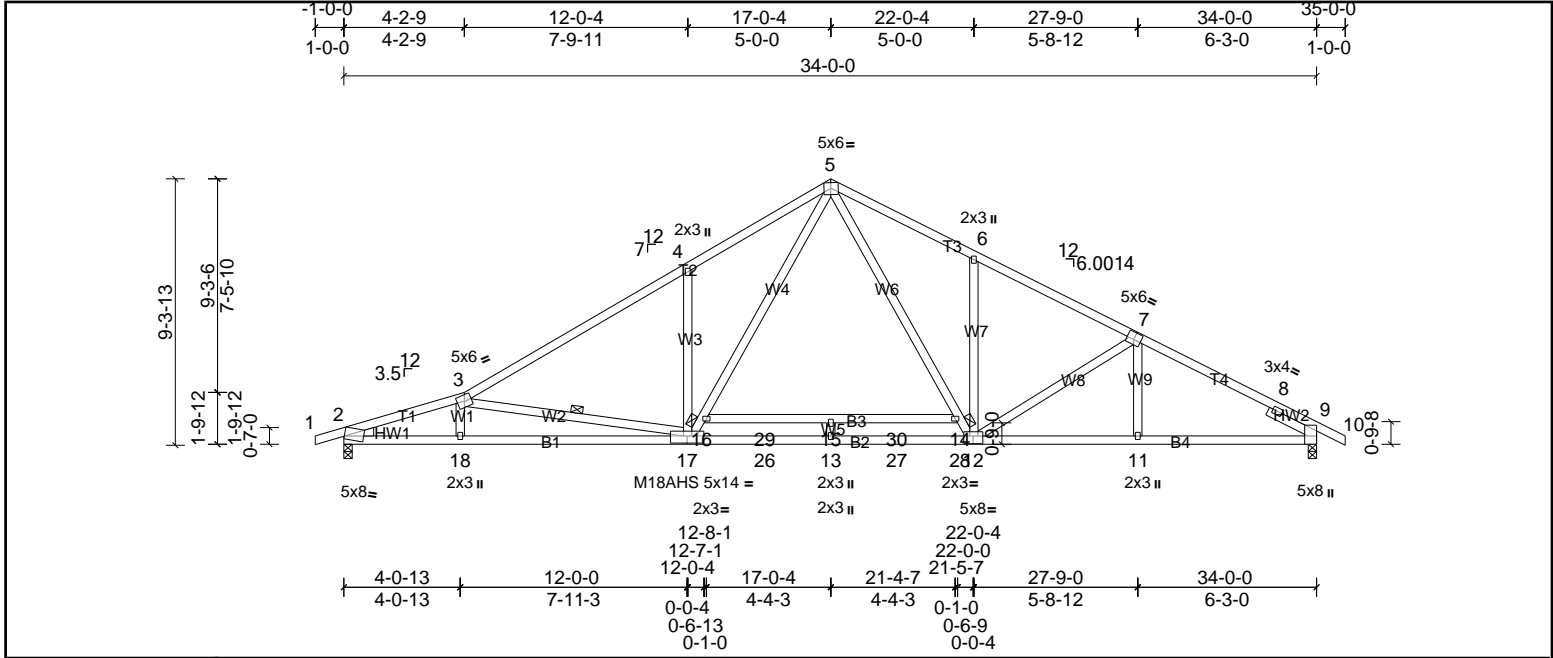


Plate Offsets (X, Y): [2:Edge,0-1-4], [5:0-2-14,Edge], [7:0-3-0,0-3-0], [12:0-4-0,0-3-4], [17:0-7-0,0-3-0]

| Loading | (psf) | Spacing | 2-0-0 | CSI | DEFL | in | (loc) | l/defl | L/d | PLATES | GRIP | |
|-------------|-------|-----------------|-----------------|------------|------|----------|-------|--------|------|--------|----------------|----------|
| TCLL (roof) | 20.0 | Plate Grip DOL | 1.15 | TC | 0.82 | Vert(LL) | -0.44 | 13-17 | >918 | 240 | MT20 | 244/190 |
| TCDL | 10.0 | Lumber DOL | 1.15 | BC | 0.96 | Vert(CT) | -0.85 | 15 | >480 | 180 | M18AHS | 186/179 |
| BCLL | 0.0* | Rep Stress Incr | YES | WB | 0.64 | Horz(CT) | 0.12 | 9 | n/a | n/a | | |
| BCDL | 10.0 | Code | IRC2015/TPI2014 | Matrix-MSH | | | | | | | Weight: 205 lb | FT = 20% |

| LUMBER | BRACING |
|---|---|
| TOP CHORD 2x4 SP No.2 *Except* T2:2x4 SP SS, T4:2x4 SP No.1 | TOP CHORD Structural wood sheathing directly applied. |
| BOT CHORD 2x4 SP SS *Except* B3:2x4 SP No.2, B2:2x4 SP No.1 | BOT CHORD Rigid ceiling directly applied or 2-2-0 oc bracing. |
| WEBS 2x4 SP No.3 | WEBS 1 Row at midpt |
| WEDGE Left: 2x4 SP No.2 | |
| SLIDER Right 2x4 SP No.3 -- 1-11-0 | |

| REACTIONS | (lb/size) |
|------------|--|
| Max Horiz | 2=1510/0-3-8, (min. 0-1-13), 9=1510/0-3-8, (min. 0-1-13) |
| Max Uplift | 2=153 (LC 10), 9=152 (LC 11) |

| FORCES | (lb) - Max. Comp./Max. Ten. - All forces 250 (lb) or less except when shown. |
|-----------|--|
| TOP CHORD | 2-3=-3661/588, 3-4=-2474/380, 4-5=-2560/562, 5-6=-2215/527, 6-7=-2191/390, 7-8=-2388/439, 8-9=-494/0 |
| BOT CHORD | 2-18=-454/3545, 17-18=-463/3561, 17-26=0/1489, 13-26=0/1489, 13-27=0/1489, 27-28=0/1489, 12-28=0/1489, 11-12=-266/2058, 9-11=-265/2058 |
| WEBS | 3-17=-1498/371, 4-17=-517/327, 16-17=-298/1367, 5-16=-245/1436, 6-12=-367/249, 7-12=-288/203, 5-14=-221/986, 12-14=-279/901 |

- NOTES**
- 1) Unbalanced roof live loads have been considered for this design.
 - 2) Wind: ASCE 7-10; Vult=130mph (3-second gust) Vasd=103mph; TCCL=6.0psf; BCCL=6.0psf; h=35ft; Cat. II; Exp B; Enclosed; MWFRS (envelope) exterior zone and C-C Exterior (2) zone; cantilever left and right exposed; end vertical left and right exposed; C-C for members and forces & MWFRS for reactions shown; Lumber DOL=1.60 plate grip DOL=1.60
 - 3) All plates are MT20 plates unless otherwise indicated.
 - 4) All plates are 2x3 MT20 unless otherwise indicated.
 - 5) This truss has been designed for a 10.0 psf bottom chord live load nonconcurrent with any other live loads.
 - 6) * This truss has been designed for a live load of 20.0psf on the bottom chord in all areas where a rectangle 3-06-00 tall by 2-00-00 wide will fit between the bottom chord and any other members, with BCCL = 10.0psf.
 - 7) Provide mechanical connection (by others) of truss to bearing plate capable of withstanding 153 lb uplift at joint 2 and 152 lb uplift at joint 9.
 - 8) This truss is designed in accordance with the 2015 International Residential Code sections R502.11.1 and R802.10.2 and referenced standard ANSI/TPI 1.



| | | | | | |
|-----------------|-------------|---------------------|----------|----------|---|
| Job 72500853 | Truss A3 | Truss Type Truss | Qty 9 | Ply 1 | MUNGO HOMES - MCDOWELL D ROOF Job Reference (optional) |
|-----------------|-------------|---------------------|----------|----------|---|

UFP Mid Atlantic LLC, 5631 S. NC 62, Burlington, NC, Joy Perry

Run: 8.81 S Sep 13 2024 Print: 8.810 S Sep 13 2024 MiTek Industries, Inc. Fri Jan 10 12:25:07

Page: 1

ID:q6xmDaGgGpr4T8wcGw4bQWzKH9V-Y?4n_LjL6jdp7DzkFX8k7snbGY83iRyS?kuFhTzwmqA

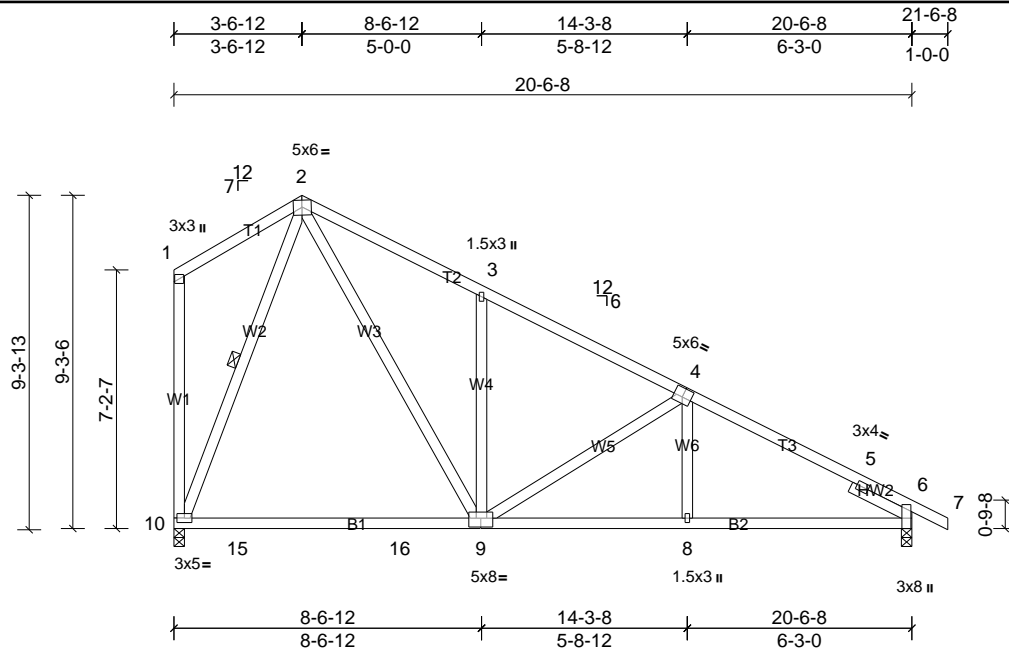


Plate Offsets (X, Y): [2:0-2-14,Edge], [4:0-3-0,0-3-0], [6:0-5-9,Edge], [9:0-4-0,0-3-0]

| Loading | (psf) | Spacing | 2-0-0 | CSI | DEFL | in | (loc) | l/defl | L/d | PLATES | GRIP | |
|-------------|-------|-----------------|-----------------|------------|------|----------|-------|--------|------|--------|----------------|----------|
| TCLL (roof) | 20.0 | Plate Grip DOL | 1.15 | TC | 0.65 | Vert(LL) | -0.25 | 9-10 | >982 | 240 | MT20 | 244/190 |
| TCDL | 10.0 | Lumber DOL | 1.15 | BC | 0.79 | Vert(CT) | -0.40 | 9-10 | >605 | 180 | | |
| BCLL | 0.0* | Rep Stress Incr | YES | WB | 0.62 | Horz(CT) | 0.03 | 6 | n/a | n/a | | |
| BCDL | 10.0 | Code | IRC2015/TPI2014 | Matrix-MSH | | | | | | | Weight: 132 lb | FT = 20% |

| LUMBER | BRACING |
|------------------------------------|---|
| TOP CHORD 2x4 SP No.2 | TOP CHORD Structural wood sheathing directly applied or 4-11-14 oc purlins, except end verticals. |
| BOT CHORD 2x4 SP No.2 | BOT CHORD Rigid ceiling directly applied or 10-0-0 oc bracing. |
| WEBS 2x4 SP No.3 | WEBS 1 Row at midpt 2-10 |
| SLIDER Right 2x4 SP No.3 -- 1-11-0 | |

| REACTIONS | (lb/size) |
|------------|---|
| Max Horiz | 6=877/0-3-8, (min. 0-1-8), 10=814/0-3-8, (min. 0-1-8) |
| Max Uplift | 10=-346 (LC 8) |
| | 6=-147 (LC 11), 10=-150 (LC 11) |
| Max Grav | 6=877 (LC 1), 10=822 (LC 2) |

| FORCES | (lb) - Max. Comp./Max. Ten. - All forces 250 (lb) or less except when shown. |
|-----------|--|
| TOP CHORD | 2-3=-816/391, 3-4=-815/255, 4-5=-1193/303, 5-6=-329/0 |
| BOT CHORD | 10-15=0/366, 15-16=0/366, 9-16=0/366, 8-9=-147/1008, 6-8=-146/1010 |
| WEBS | 2-9=-306/847, 2-10=-686/132, 3-9=-349/246, 4-9=-412/206 |

- NOTES**
- Unbalanced roof live loads have been considered for this design.
 - Wind: ASCE 7-10; Vult=130mph (3-second gust) Vasd=103mph; TCDL=6.0psf; BCDL=6.0psf; h=35ft; Cat. II; Exp B; Enclosed; MWFRS (envelope) exterior zone and C-C Exterior (2) zone; cantilever left and right exposed; end vertical left and right exposed; C-C for members and forces & MWFRS for reactions shown; Lumber DOL=1.60 plate grip DOL=1.60
 - This truss has been designed for a 10.0 psf bottom chord live load nonconcurrent with any other live loads.
 - * This truss has been designed for a live load of 20.0psf on the bottom chord in all areas where a rectangle 3-06-00 tall by 2-00-00 wide will fit between the bottom chord and any other members, with BCDL = 10.0psf.
 - Provide mechanical connection (by others) of truss to bearing plate capable of withstanding 150 lb uplift at joint 10 and 147 lb uplift at joint 6.
 - This truss is designed in accordance with the 2015 International Residential Code sections R502.11.1 and R802.10.2 and referenced standard ANSI/TPI 1.



This design is based upon parameters shown, and is for an individual building component to be installed and loaded vertically. Applicability of design parameters and proper incorporation of component is responsibility of the Building Designer. Building Designer shall verify all design information on this sheet for conformance with conditions and requirements of the specific building and governing codes and ordinances. Building Designer accepts responsibility for the correctness or accuracy of the design information as it may relate to a specific building. Certification is valid only when truss is fabricated by a UFPI plant. Bracing shown is for lateral support of truss members only and does not replace erection and permanent bracing. Refer to Building Component Safety Information (BCSI) for general guidance regarding storage, erection and bracing available from SBCA and Truss Plate Institute.



| | | | | | |
|-----------------|--------------|---------------------|----------|----------|---|
| Job 72500853 | Truss A3G | Truss Type Truss | Qty 1 | Ply 1 | MUNGO HOMES - MCDOWELL D ROOF Job Reference (optional) |
|-----------------|--------------|---------------------|----------|----------|---|

UFPI Mid Atlantic LLC, 5631 S. NC 62, Burlington, NC, Joy Perry

Run: 8.81 S Sep 13 2024 Print: 8.810 S Sep 13 2024 MiTek Industries, Inc. Fri Jan 10 12:25:07

Page: 1

ID:q6xmDaGgGpr4T8wcGw4bQWzKH9V-Y?4n_LjL6jdp7DzkFX8k7sndjYlqiYYs?kuFhTzwmqA

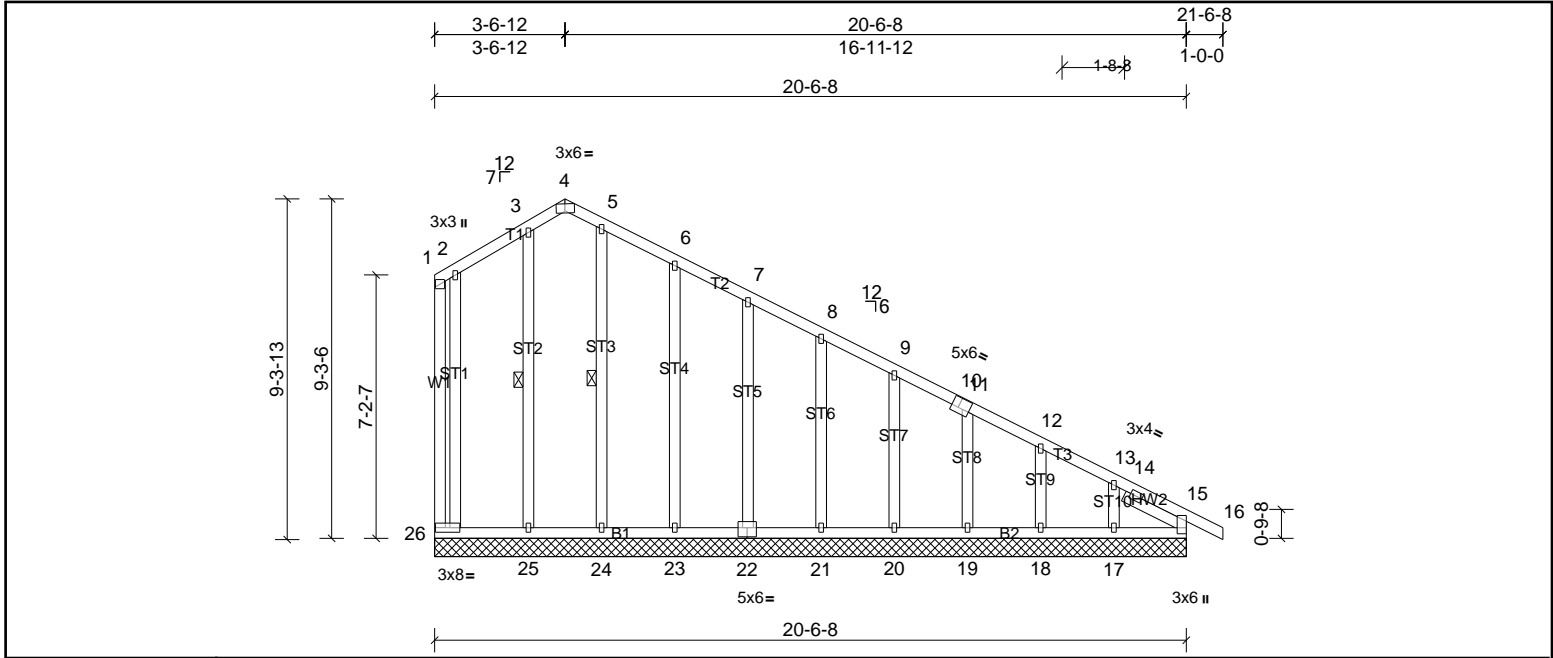


Plate Offsets (X, Y): [4:0-2-14,Edge], [10:0-2-4,0-3-4], [22:0-3-0,0-3-0]

| Loading | (psf) | Spacing | 2-0-0 | CSI | DEFL | in | (loc) | l/defl | L/d | PLATES | GRIP | |
|-------------|-------|-----------------|-----------------|------------|------|----------|-------|--------|-----|--------|----------------|----------|
| TCLL (roof) | 20.0 | Plate Grip DOL | 1.15 | TC | 0.55 | Vert(LL) | n/a | - | n/a | 999 | MT20 | 244/190 |
| TCDL | 10.0 | Lumber DOL | 1.15 | BC | 0.16 | Vert(CT) | n/a | - | n/a | 999 | | |
| BCLL | 0.0* | Rep Stress Incr | YES | WB | 0.13 | Horz(CT) | 0.01 | 15 | n/a | n/a | | |
| BCDL | 10.0 | Code | IRC2015/TPI2014 | Matrix-MSH | | | | | | | Weight: 159 lb | FT = 20% |

| LUMBER | | BRACING | |
|-----------|-----------------------------|-----------|---|
| TOP CHORD | 2x4 SP No.2 | TOP CHORD | Structural wood sheathing directly applied or 6-0-0 oc purlins, except end verticals. |
| BOT CHORD | 2x4 SP No.2 | BOT CHORD | Rigid ceiling directly applied or 10-0-0 oc bracing. |
| WEBS | 2x4 SP No.3 | WEBS | 1 Row at midpt |
| OTHERS | 2x4 SP No.3 | | 3-25, 5-24 |
| SLIDER | Right 2x4 SP No.3 -- 1-11-0 | | |

| REACTIONS | |
|------------------|--|
| | All bearings 20-6-8. |
| (lb) - Max Horiz | 26=-346 (LC 8) |
| Max Uplift | All uplift 100 (lb) or less at joint(s) 15, 18, 19, 20, 21, 22, 23, 24, 25, 26, 27 except 17=130 (LC 11) |
| Max Grav | All reactions 250 (lb) or less at joint(s) 15, 17, 18, 19, 20, 21, 22, 23, 24, 25, 26, 27 |

| FORCES | |
|-----------|--|
| | (lb) - Max. Comp./Max. Ten. - All forces 250 (lb) or less except when shown. |
| TOP CHORD | 12-13=-264/66, 13-14=-313/72 |
| BOT CHORD | 25-26=-48/281, 24-25=-48/281, 23-24=-48/281, 22-23=-48/281, 21-22=-48/281, 20-21=-48/281, 19-20=-48/281, 18-19=-48/281, 17-18=-48/281, 15-17=-48/281 |

- NOTES**
- Unbalanced roof live loads have been considered for this design.
 - Wind: ASCE 7-10; Vult=130mph (3-second gust) Vasd=103mph; TCCL=6.0psf; BCDL=6.0psf; h=35ft; Cat. II; Exp B; Enclosed; MWFRS (envelope) exterior zone and C-C Exterior (2) zone; cantilever left and right exposed; end vertical left and right exposed; C-C for members and forces & MWFRS for reactions shown; Lumber DOL=1.60 plate grip DOL=1.60
 - Truss designed for wind loads in the plane of the truss only.
 - All plates are 1.5x3 MT20 unless otherwise indicated.
 - Gable requires continuous bottom chord bearing.
 - Gable studs spaced at 2-0-0 oc.
 - This truss has been designed for a 10.0 psf bottom chord live load nonconcurrent with any other live loads.
 - * This truss has been designed for a live load of 20.0psf on the bottom chord in all areas where a rectangle 3-06-00 tall by 2-00-00 wide will fit between the bottom chord and any other members.
 - Provide mechanical connection (by others) of truss to bearing plate capable of withstanding 100 lb uplift at joint(s) 26, 15, 25, 24, 23, 22, 21, 20, 19, 18, 15 except (jt=lb) 17=129.
 - This truss is designed in accordance with the 2015 International Residential Code sections R502.11.1 and R802.10.2 and referenced standard ANSI/TPI 1.



This design is based upon parameters shown, and is for an individual building component to be installed and loaded vertically. Applicability of design parameters and proper incorporation of component is responsibility of the Building Designer. Building Designer shall verify all design information on this sheet for conformance with conditions and requirements of the specific building and governing codes and ordinances. Building Designer accepts responsibility for the correctness or accuracy of the design information as it may relate to a specific building. Certification is valid only when truss is fabricated by a UFPI plant. Bracing shown is for lateral support of truss members only and does not replace erection and permanent bracing. Refer to Building Component Safety Information (BCSI) for general guidance regarding storage, erection and bracing available from SBCA and Truss Plate Institute.



| | | | | | |
|-----------------|-------------|---------------------|----------|----------|---|
| Job 72500853 | Truss B1 | Truss Type Truss | Qty 1 | Ply 1 | MUNGO HOMES - MCDOWELL D ROOF Job Reference (optional) |
|-----------------|-------------|---------------------|----------|----------|---|

UFP Mid Atlantic LLC, 5631 S. NC 62, Burlington, NC, Joy Perry

Run: 8.81 S Sep 13 2024 Print: 8.810 S Sep 13 2024 MiTek Industries, Inc. Fri Jan 10 12:25:08

Page: 1

ID:CrQMemmQxuFDyJnqg9ZCGzyHlmi-1Be9Bhkzt1glNYwpEzf4KndySbRrbEODpDwzwmq9

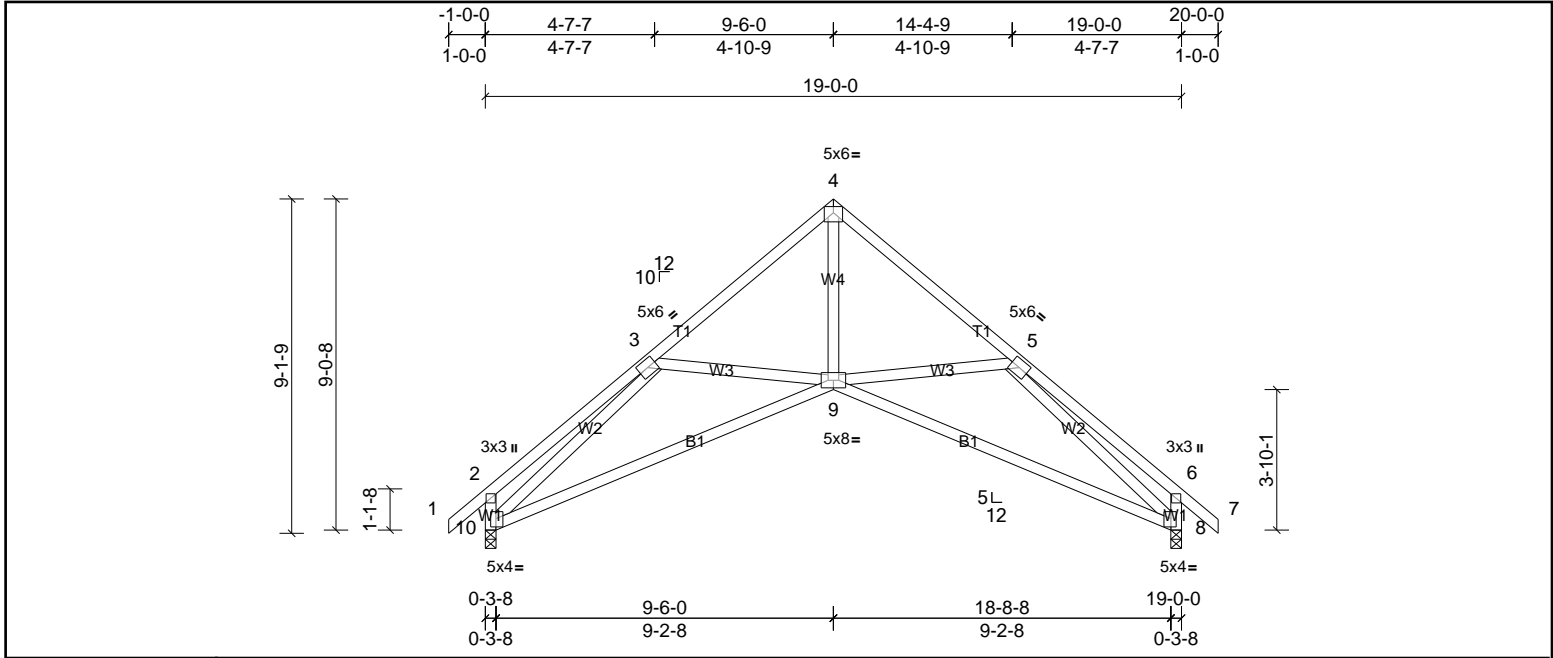


Plate Offsets (X, Y): [8:0-2-4,0-2-12], [10:0-2-4,0-2-12]

| Loading | (psf) | Spacing | 2-0-0 | CSI | DEFLL | in | (loc) | l/defl | L/d | PLATES | GRIP | |
|-------------|-------|-----------------|-----------------|------------|-------|----------|-------|--------|------|--------|----------------|----------|
| TCLL (roof) | 20.0 | Plate Grip DOL | 1.15 | TC | 0.61 | Vert(LL) | -0.25 | 8-9 | >886 | 240 | MT20 | 244/190 |
| TCDL | 10.0 | Lumber DOL | 1.15 | BC | 0.83 | Vert(CT) | -0.52 | 8-9 | >433 | 180 | | |
| BCLL | 0.0* | Rep Stress Incr | YES | WB | 0.78 | Horz(CT) | 0.11 | 8 | n/a | n/a | | |
| BCDL | 10.0 | Code | IRC2015/TPI2014 | Matrix-MSH | | | | | | | Weight: 114 lb | FT = 20% |

| LUMBER | BRACING |
|-----------------------|---|
| TOP CHORD 2x4 SP No.2 | TOP CHORD Structural wood sheathing directly applied or 5-2-5 oc purlins, except end verticals. |
| BOT CHORD 2x4 SP No.2 | BOT CHORD Rigid ceiling directly applied or 10-0-0 oc bracing. |
| WEBS 2x4 SP No.3 | |

| REACTIONS | (lb/size) |
|------------|---|
| Max Horiz | 8=817/0-3-8, (min. 0-1-8), 10=817/0-3-8, (min. 0-1-8) |
| Max Uplift | 10=-262 (LC 8) |
| | 8=-104 (LC 11), 10=-104 (LC 10) |

| FORCES | (lb) - Max. Comp./Max. Ten. - All forces 250 (lb) or less except when shown. |
|-----------|---|
| TOP CHORD | 2-3=-360/127, 3-4=-1066/106, 4-5=-1066/143, 5-6=-360/127, 2-10=-368/173, 6-8=-358/173 |
| BOT CHORD | 9-10=-245/1141, 8-9=-68/983 |
| WEBS | 4-9=-46/983, 5-9=-259/300, 3-9=-259/281, 3-10=-1022/151, 5-8=-1022/126 |

- NOTES**
- Unbalanced roof live loads have been considered for this design.
 - Wind: ASCE 7-10; Vult=130mph (3-second gust) Vasd=103mph; TCDL=6.0psf; BCDL=6.0psf; h=35ft; Cat. II; Exp B; Enclosed; MWFRS (envelope) exterior zone and C-C Exterior (2) zone; cantilever left and right exposed; end vertical left and right exposed; C-C for members and forces & MWFRS for reactions shown; Lumber DOL=1.60 plate grip DOL=1.60
 - This truss has been designed for a 10.0 psf bottom chord live load nonconcurrent with any other live loads.
 - * This truss has been designed for a live load of 20.0psf on the bottom chord in all areas where a rectangle 3-06-00 tall by 2-00-00 wide will fit between the bottom chord and any other members.
 - Bearing at joint(s) 10, 8 considers parallel to grain value using ANSI/TPI 1 angle to grain formula. Building designer should verify capacity of bearing surface.
 - Provide mechanical connection (by others) of truss to bearing plate capable of withstanding 104 lb uplift at joint 10 and 104 lb uplift at joint 8.
 - This truss is designed in accordance with the 2015 International Residential Code sections R502.11.1 and R802.10.2 and referenced standard ANSI/TPI 1.



This design is based upon parameters shown, and is for an individual building component to be installed and loaded vertically. Applicability of design parameters and proper incorporation of component is responsibility of the Building Designer. Building Designer shall verify all design information on this sheet for conformance with conditions and requirements of the specific building and governing codes and ordinances. Building Designer accepts responsibility for the correctness or accuracy of the design information as it may relate to a specific building. Certification is valid only when truss is fabricated by a UFPI plant. Bracing shown is for lateral support of truss members only and does not replace erection and permanent bracing. Refer to Building Component Safety Information (BCSI) for general guidance regarding storage, erection and bracing available from SBCA and Truss Plate Institute.



| | | | | | |
|-----------------|--------------|---------------------|----------|----------|---|
| Job 72500853 | Truss B1G | Truss Type Truss | Qty 1 | Ply 1 | MUNGO HOMES - MCDOWELL D ROOF Job Reference (optional) |
|-----------------|--------------|---------------------|----------|----------|---|

UFP Mid Atlantic LLC, 5631 S. NC 62, Burlington, NC, Joy Perry

Run: 8.81 S Sep 13 2024 Print: 8.810 S Sep 13 2024 MiTek Industries, Inc. Fri Jan 10 12:25:08

Page: 1

ID:XolGmzL5EqYDTpPj0JtcGOyHlI4-1Be9Bhkzt1IglNYwpEfz4KtNydUR1wbEOdpDwzwmq9

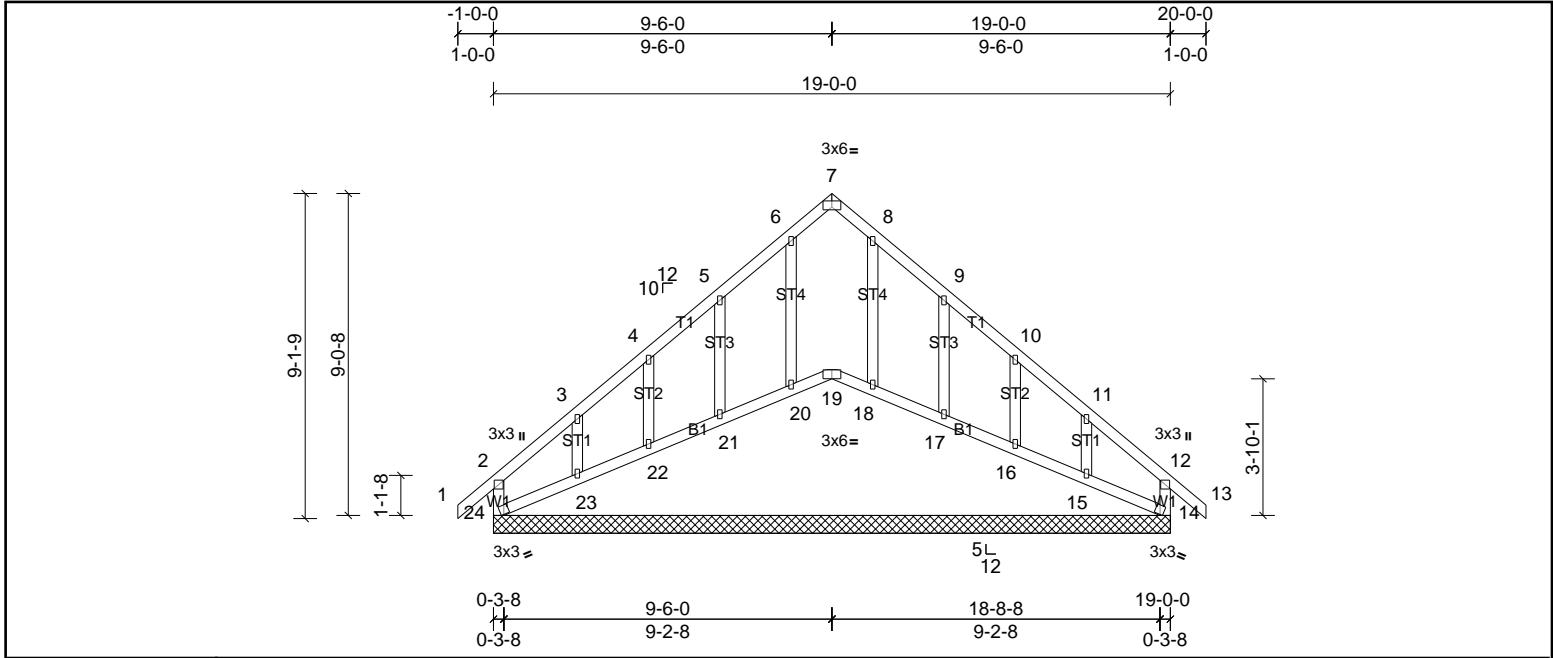


Plate Offsets (X, Y): [7:0-3-0,Edge], [14:0-1-8,0-1-7], [24:0-1-8,0-1-7]

| Loading | (psf) | Spacing | 2-0-0 | CSI | DEFL | in | (loc) | l/defl | L/d | PLATES | GRIP | |
|-------------|-------|-----------------|-----------------|-----------|------|----------|-------|--------|-----|--------|----------------|----------|
| TCLL (roof) | 20.0 | Plate Grip DOL | 1.15 | TC | 0.24 | Vert(LL) | n/a | - | n/a | 999 | MT20 | 244/190 |
| TCDL | 10.0 | Lumber DOL | 1.15 | BC | 0.14 | Vert(CT) | n/a | - | n/a | 999 | | |
| BCLL | 0.0* | Rep Stress Incr | YES | WB | 0.06 | Horz(CT) | 0.01 | 14 | n/a | n/a | | |
| BCDL | 10.0 | Code | IRC2015/TPI2014 | Matrix-MR | | | | | | | Weight: 110 lb | FT = 20% |

| LUMBER | BRACING |
|-----------------------|---|
| TOP CHORD 2x4 SP No.2 | TOP CHORD Structural wood sheathing directly applied or 6-0-0 oc purlins, except end verticals. |
| BOT CHORD 2x4 SP No.2 | BOT CHORD Rigid ceiling directly applied or 10-0-0 oc bracing. |
| WEBS 2x4 SP No.3 | |
| OTHERS 2x4 SP No.3 | |

REACTIONS All bearings 19-0-0.
 (lb) - Max Horiz 24=-262 (LC 8)
 Max Uplift All uplift 100 (lb) or less at joint(s) 14, 16, 19, 22 except 15=-201 (LC 11), 17=-148 (LC 11), 21=-146 (LC 10), 23=-206 (LC 10), 24=-158 (LC 6)
 Max Grav All reactions 250 (lb) or less at joint(s) 14, 15, 16, 17, 18, 19, 20, 21, 22 except 23=251 (LC 17), 24=269 (LC 18)

FORCES (lb) - Max. Comp./Max. Ten. - All forces 250 (lb) or less except when shown.
 TOP CHORD 5-6=-206/251, 8-9=-206/251

- NOTES**
- Unbalanced roof live loads have been considered for this design.
 - Wind: ASCE 7-10; Vult=130mph (3-second gust) Vasd=103mph; TCCL=6.0psf; BCCL=6.0psf; h=35ft; Cat. II; Exp B; Enclosed; MWFRS (envelope) exterior zone and C-C Exterior (2) zone; cantilever left and right exposed; end vertical left and right exposed; C-C for members and forces & MWFRS for reactions shown; Lumber DOL=1.60 plate grip DOL=1.60
 - Truss designed for wind loads in the plane of the truss only.
 - All plates are 1.5x3 MT20 unless otherwise indicated.
 - Gable requires continuous bottom chord bearing.
 - Truss to be fully sheathed from one face or securely braced against lateral movement (i.e. diagonal web).
 - Gable studs spaced at 2-0-0 oc.
 - This truss has been designed for a 10.0 psf bottom chord live load nonconcurrent with any other live loads.
 - * This truss has been designed for a live load of 20.0psf on the bottom chord in all areas where a rectangle 3-06-00 tall by 2-00-00 wide will fit between the bottom chord and any other members.
 - Bearing at joint(s) 24, 14 considers parallel to grain value using ANSI/TPI 1 angle to grain formula. Building designer should verify capacity of bearing surface.
 - Provide mechanical connection (by others) of truss to bearing plate capable of withstanding 100 lb uplift at joint(s) 14, 19, 22, 16 except (jt=lb) 24=157, 21=146, 23=206, 17=148, 15=200.
 - Beveled plate or shim required to provide full bearing surface with truss chord at joint(s) 19, 20, 18, 21, 22, 23, 17, 16, 15.
 - This truss is designed in accordance with the 2015 International Residential Code sections R502.11.1 and R802.10.2 and referenced standard ANSI/TPI 1.



This design is based upon parameters shown, and is for an individual building component to be installed and loaded vertically. Applicability of design parameters and proper incorporation of component is responsibility of the Building Designer. Building Designer shall verify all design information on this sheet for conformance with conditions and requirements of the specific building and governing codes and ordinances. Building Designer accepts responsibility for the correctness or accuracy of the design information as it may relate to a specific building. Certification is valid only when truss is fabricated by a UFPI plant. Bracing shown is for lateral support of truss members only and does not replace erection and permanent bracing. Refer to Building Component Safety Information (BCSI) for general guidance regarding storage, erection and bracing available from SBCA and Truss Plate Institute.



| | | | | | |
|-----------------|-------------|---------------------|----------|----------|---|
| Job 72500853 | Truss B2 | Truss Type Truss | Qty 6 | Ply 1 | MUNGO HOMES - MCDOWELL D ROOF Job Reference (optional) |
|-----------------|-------------|---------------------|----------|----------|---|

UFPI Mid Atlantic LLC, 5631 S. NC 62, Burlington, NC, Joy Perry

Run: 8.81 S Sep 13 2024 Print: 8.810 S Sep 13 2024 MiTek Industries, Inc. Fri Jan 10 12:25:08

Page: 1

ID:WqVaW14nHN_JX3cnZY0mByyHII?-1Be9Bhkzt1lgINYwpEfz4KndySZRrBbEOdpDwzwmq9

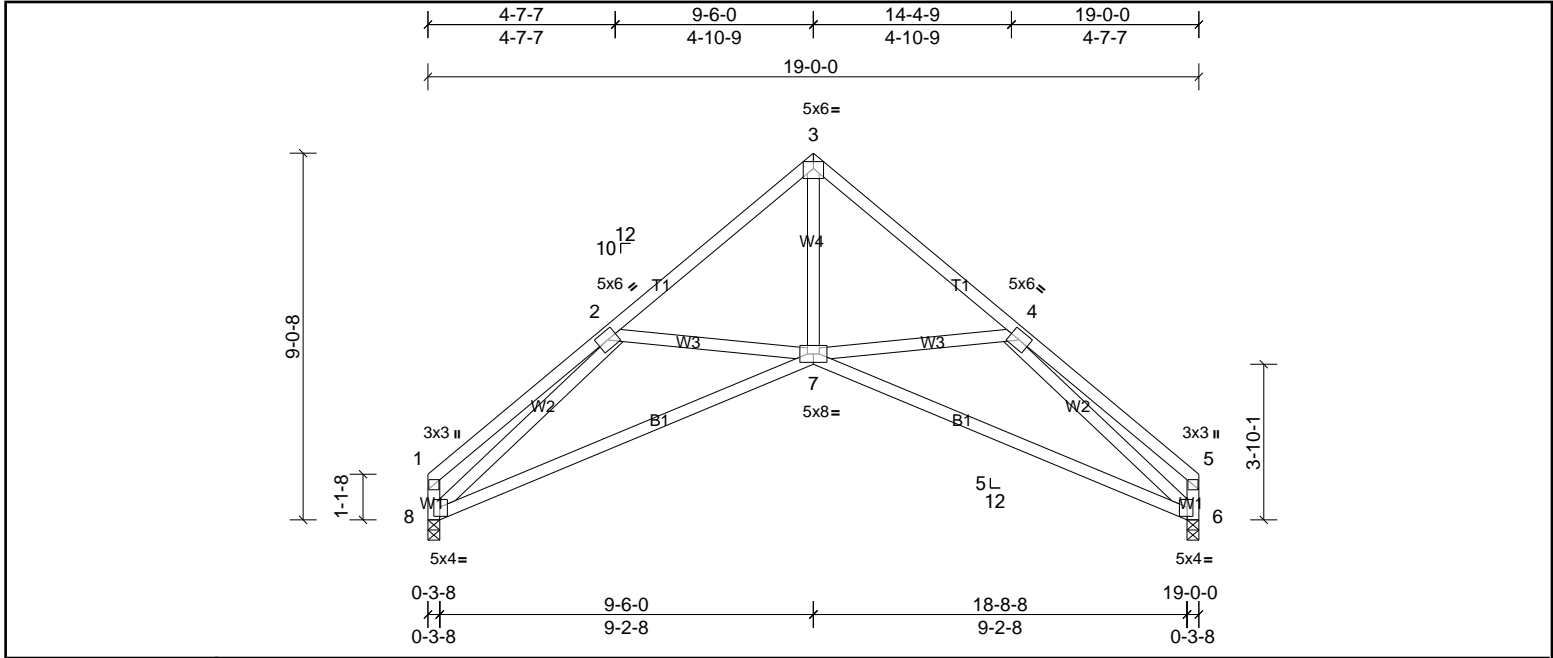


Plate Offsets (X, Y): [6:0-2-4,0-2-12], [8:0-2-4,0-2-12]

| Loading | (psf) | Spacing | 2-0-0 | CSI | DEFL | in | (loc) | l/defl | L/d | PLATES | GRIP | |
|-------------|-------|-----------------|-----------------|------------|------|----------|-------|--------|------|--------|----------------|----------|
| TCLL (roof) | 20.0 | Plate Grip DOL | 1.15 | TC | 0.61 | Vert(LL) | -0.25 | 6-7 | >886 | 240 | MT20 | 244/190 |
| TCDL | 10.0 | Lumber DOL | 1.15 | BC | 0.84 | Vert(CT) | -0.52 | 6-7 | >433 | 180 | | |
| BCLL | 0.0* | Rep Stress Incr | YES | WB | 0.81 | Horz(CT) | 0.11 | 6 | n/a | n/a | | |
| BCDL | 10.0 | Code | IRC2015/TPI2014 | Matrix-MSH | | | | | | | Weight: 110 lb | FT = 20% |

| LUMBER | | BRACING | |
|-----------|-------------|-----------|--|
| TOP CHORD | 2x4 SP No.2 | TOP CHORD | Structural wood sheathing directly applied or 5-2-15 oc purlins, except end verticals. |
| BOT CHORD | 2x4 SP No.2 | BOT CHORD | Rigid ceiling directly applied or 10-0-0 oc bracing. |
| WEBS | 2x4 SP No.3 | | |

| REACTIONS | (lb/size) | 6=748/0-3-8, (min. 0-1-8), 8=748/0-3-8, (min. 0-1-8) |
|-----------|------------|--|
| | Max Horiz | 8=238 (LC 9) |
| | Max Uplift | 6=78 (LC 11), 8=78 (LC 10) |

| FORCES | (lb) - Max. Comp./Max. Ten. - All forces 250 (lb) or less except when shown. |
|-----------|--|
| TOP CHORD | 1-2=-320/89, 2-3=-1077/136, 3-4=-1077/160, 4-5=-320/89, 1-8=-287/91, 5-6=-287/91 |
| BOT CHORD | 7-8=-276/1137, 6-7=-117/1003 |
| WEBS | 3-7=-68/982, 4-7=-267/297, 2-7=-267/281, 2-8=-1058/207, 4-6=-1058/182 |

- NOTES**
- Unbalanced roof live loads have been considered for this design.
 - Wind: ASCE 7-10; Vult=130mph (3-second gust) Vasd=103mph; TCDL=6.0psf; BCDL=6.0psf; h=35ft; Cat. II; Exp B; Enclosed; MWFRS (envelope) exterior zone and C-C Exterior (2) zone; cantilever left and right exposed; end vertical left and right exposed; C-C for members and forces & MWFRS for reactions shown; Lumber DOL=1.60 plate grip DOL=1.60
 - This truss has been designed for a 10.0 psf bottom chord live load nonconcurrent with any other live loads.
 - * This truss has been designed for a live load of 20.0psf on the bottom chord in all areas where a rectangle 3-06-00 tall by 2-00-00 wide will fit between the bottom chord and any other members.
 - Bearing at joint(s) 8, 6 considers parallel to grain value using ANSI/TPI 1 angle to grain formula. Building designer should verify capacity of bearing surface.
 - Provide mechanical connection (by others) of truss to bearing plate capable of withstanding 78 lb uplift at joint 8 and 78 lb uplift at joint 6.
 - This truss is designed in accordance with the 2015 International Residential Code sections R502.11.1 and R802.10.2 and referenced standard ANSI/TPI 1.



This design is based upon parameters shown, and is for an individual building component to be installed and loaded vertically. Applicability of design parameters and proper incorporation of component is responsibility of the Building Designer. Building Designer shall verify all design information on this sheet for conformance with conditions and requirements of the specific building and governing codes and ordinances. Building Designer accepts responsibility for the correctness or accuracy of the design information as it may relate to a specific building. Certification is valid only when truss is fabricated by a UFPI plant. Bracing shown is for lateral support of truss members only and does not replace erection and permanent bracing. Refer to Building Component Safety Information (BCSI) for general guidance regarding storage, erection and bracing available from SBCA and Truss Plate Institute.



| | | | | | |
|-----------------|-------------|---------------------|-----------|----------|---|
| Job 72500853 | Truss P1 | Truss Type Truss | Qty 10 | Ply 1 | MUNGO HOMES - MCDOWELL D ROOF Job Reference (optional) |
|-----------------|-------------|---------------------|-----------|----------|---|

UFP Mid Atlantic LLC, 5631 S. NC 62, Burlington, NC, Joy Perry

Run: 8.81 S Sep 13 2024 Print: 8.810 S Sep 13 2024 MiTek Industries, Inc. Fri Jan 10 12:25:08

Page: 1

ID:q6xmDaGgGpr4T8wcGw4bQWzKH9V-1Be9Bhkzt1glINYwpEzf4KsYyc3R1rbEOdpDwzwmq9

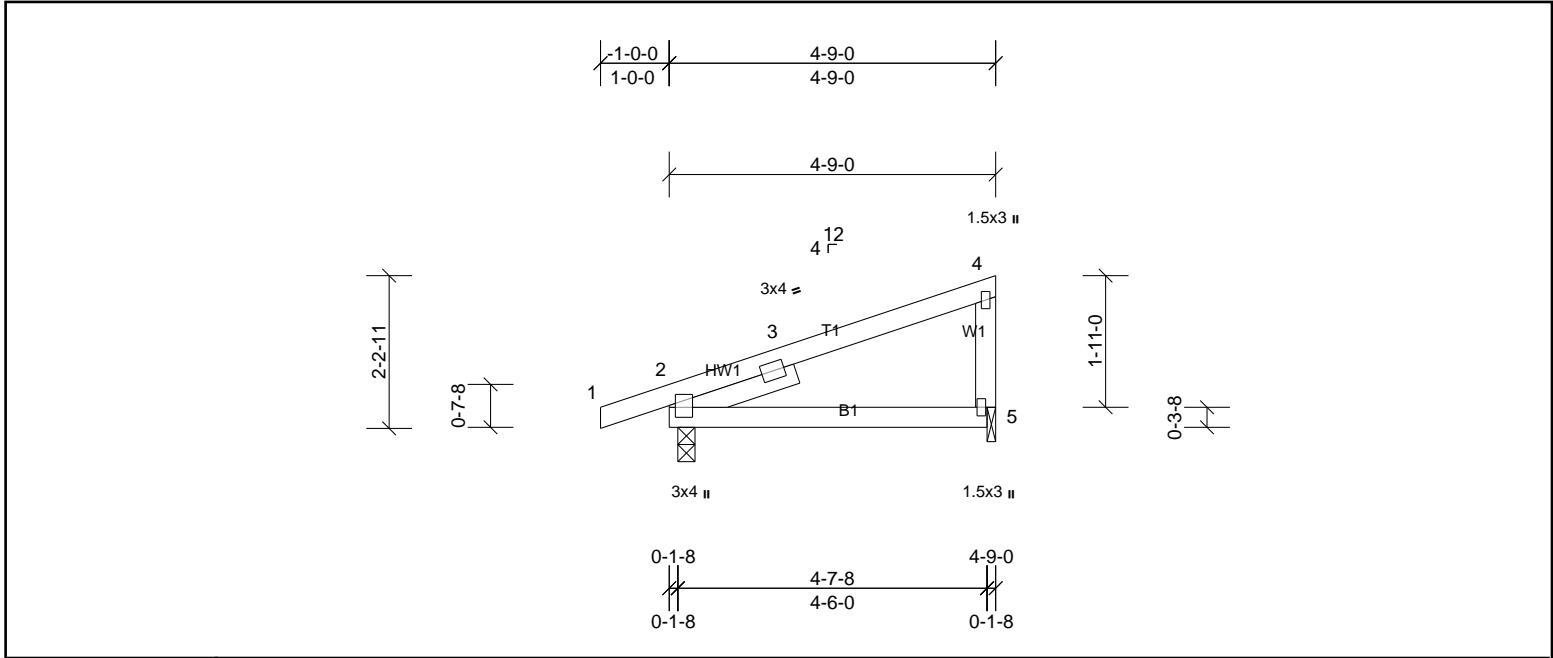


Plate Offsets (X, Y): [2:0-2-1,0-1-1]

| Loading | (psf) | Spacing | 2-0-0 | CSI | DEFL | in | (loc) | l/defl | L/d | PLATES | GRIP | |
|-------------|-------|-----------------|-----------------|-----------|------|----------|-------|--------|------|--------|---------------|----------|
| TCLL (roof) | 20.0 | Plate Grip DOL | 1.15 | TC | 0.29 | Vert(LL) | 0.05 | 5-8 | >999 | 240 | MT20 | 244/190 |
| TCDL | 10.0 | Lumber DOL | 1.15 | BC | 0.23 | Vert(CT) | -0.04 | 5-8 | >999 | 180 | | |
| BCLL | 0.0* | Rep Stress Incr | YES | WB | 0.00 | Horz(CT) | -0.01 | 2 | n/a | n/a | | |
| BCDL | 10.0 | Code | IRC2015/TPI2014 | Matrix-MP | | | | | | | Weight: 21 lb | FT = 20% |

| LUMBER | | BRACING | |
|-----------|----------------------------|-----------|---|
| TOP CHORD | 2x4 SP No.2 | TOP CHORD | Structural wood sheathing directly applied or 4-9-0 oc purlins, except end verticals. |
| BOT CHORD | 2x4 SP No.2 | BOT CHORD | Rigid ceiling directly applied or 10-0-0 oc bracing. |
| WEBS | 2x4 SP No.3 | | |
| SLIDER | Left 2x4 SP No.3 -- 1-11-0 | | |

| REACTIONS | (lb/size) | 2=251/0-3-0, (min. 0-1-8), 5=178/0-1-8, (min. 0-1-8) |
|------------|---------------------------|--|
| Max Horiz | 2=84 (LC 9) | |
| Max Uplift | 2=121 (LC 6), 5=85 (LC 6) | |

FORCES (lb) - Max. Comp./Max. Ten. - All forces 250 (lb) or less except when shown.

- NOTES**
- Unbalanced roof live loads have been considered for this design.
 - Wind: ASCE 7-10; Vult=130mph (3-second gust) Vasd=103mph; TCDL=6.0psf; BCDL=6.0psf; h=35ft; Cat. II; Exp B; Enclosed; MWFRS (envelope) exterior zone and C-C Exterior (2) zone; cantilever left and right exposed; end vertical left and right exposed; porch left and right exposed; C-C for members and forces & MWFRS for reactions shown; Lumber DOL=1.60 plate grip DOL=1.60
 - This truss has been designed for a 10.0 psf bottom chord live load nonconcurrent with any other live loads.
 - * This truss has been designed for a live load of 20.0psf on the bottom chord in all areas where a rectangle 3-06-00 tall by 2-00-00 wide will fit between the bottom chord and any other members.
 - Bearing at joint(s) 5 considers parallel to grain value using ANSI/TPI 1 angle to grain formula. Building designer should verify capacity of bearing surface.
 - Provide mechanical connection (by others) of truss to bearing plate at joint(s) 5.
 - Provide mechanical connection (by others) of truss to bearing plate capable of withstanding 121 lb uplift at joint 2 and 85 lb uplift at joint 5.
 - This truss is designed in accordance with the 2015 International Residential Code sections R502.11.1 and R802.10.2 and referenced standard ANSI/TPI 1.



This design is based upon parameters shown, and is for an individual building component to be installed and loaded vertically. Applicability of design parameters and proper incorporation of component is responsibility of the Building Designer. Building Designer shall verify all design information on this sheet for conformance with conditions and requirements of the specific building and governing codes and ordinances. Building Designer accepts responsibility for the correctness or accuracy of the design information as it may relate to a specific building. Certification is valid only when truss is fabricated by a UFPI plant. Bracing shown is for lateral support of truss members only and does not replace erection and permanent bracing. Refer to Building Component Safety Information (BCSI) for general guidance regarding storage, erection and bracing available from SBCA and Truss Plate Institute.



| | | | | | |
|-----------------|-------------|---------------------|----------|----------|---|
| Job 72500853 | Truss P2 | Truss Type Truss | Qty 1 | Ply 1 | MUNGO HOMES - MCDOWELL D ROOF Job Reference (optional) |
|-----------------|-------------|---------------------|----------|----------|---|

UFP Mid Atlantic LLC, 5631 S. NC 62, Burlington, NC, Joy Perry

Run: 8.81 S Sep 13 2024 Print: 8.810 S Sep 13 2024 MiTek Industries, Inc. Fri Jan 10 12:25:08

Page: 1

ID:q6xmDaGgGpr4T8wcGw4bQWzKH9V-1Be9Bhkzt1IglNYwpEfz4KvmyfmR1rbEOdpDwzwmq9

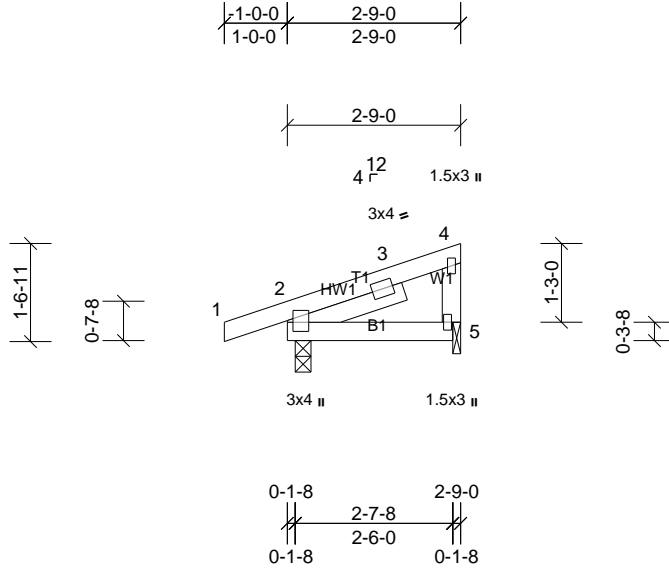


Plate Offsets (X, Y): [2:0-2-1,0-1-1]

| Loading | (psf) | Spacing | 2-0-0 | CSI | DEFL | in | (loc) | l/defl | L/d | PLATES | GRIP | |
|-------------|-------|-----------------|-----------------|-----------|------|----------|-------|--------|------|--------|---------------|----------|
| TCLL (roof) | 20.0 | Plate Grip DOL | 1.15 | TC | 0.08 | Vert(LL) | 0.00 | 5-8 | >999 | 240 | MT20 | 244/190 |
| TCDL | 10.0 | Lumber DOL | 1.15 | BC | 0.06 | Vert(CT) | 0.00 | 5-8 | >999 | 180 | | |
| BCLL | 0.0* | Rep Stress Incr | YES | WB | 0.00 | Horz(CT) | 0.00 | 2 | n/a | n/a | | |
| BCDL | 10.0 | Code | IRC2015/TPI2014 | Matrix-MP | | | | | | | Weight: 14 lb | FT = 20% |

LUMBER
TOP CHORD 2x4 SP No.2
BOT CHORD 2x4 SP No.2
WEBS 2x4 SP No.3
SLIDER Left 2x4 SP No.3 -- 1-11-0

BRACING
TOP CHORD Structural wood sheathing directly applied or 2-9-0 oc purlins, except end verticals.
BOT CHORD Rigid ceiling directly applied or 10-0-0 oc bracing.

REACTIONS (lb/size) 2=176/0-3-0, (min. 0-1-8), 5=93/0-1-8, (min. 0-1-8)
Max Horiz 2=55 (LC 9)
Max Uplift 2=91 (LC 6), 5=44 (LC 6)

FORCES (lb) - Max. Comp./Max. Ten. - All forces 250 (lb) or less except when shown.

- NOTES**
- 1) Unbalanced roof live loads have been considered for this design.
 - 2) Wind: ASCE 7-10; Vult=130mph (3-second gust) Vasd=103mph; TCCL=6.0psf; BCDL=6.0psf; h=35ft; Cat. II; Exp B; Enclosed; MWFRS (envelope) exterior zone and C-C Exterior (2) zone; cantilever left and right exposed; end vertical left and right exposed; porch left and right exposed; C-C for members and forces & MWFRS for reactions shown; Lumber DOL=1.60 plate grip DOL=1.60
 - 3) This truss has been designed for a 10.0 psf bottom chord live load nonconcurrent with any other live loads.
 - 4) * This truss has been designed for a live load of 20.0psf on the bottom chord in all areas where a rectangle 3-06-00 tall by 2-00-00 wide will fit between the bottom chord and any other members.
 - 5) Bearing at joint(s) 5 considers parallel to grain value using ANSI/TPI 1 angle to grain formula. Building designer should verify capacity of bearing surface.
 - 6) Provide mechanical connection (by others) of truss to bearing plate at joint(s) 5.
 - 7) Provide mechanical connection (by others) of truss to bearing plate capable of withstanding 91 lb uplift at joint 2 and 44 lb uplift at joint 5.
 - 8) This truss is designed in accordance with the 2015 International Residential Code sections R502.11.1 and R802.10.2 and referenced standard ANSI/TPI 1.



This design is based upon parameters shown, and is for an individual building component to be installed and loaded vertically. Applicability of design parameters and proper incorporation of component is responsibility of the Building Designer. Building Designer shall verify all design information on this sheet for conformance with conditions and requirements of the specific building and governing codes and ordinances. Building Designer accepts responsibility for the correctness or accuracy of the design information as it may relate to a specific building. Certification is valid only when truss is fabricated by a UFPI plant. Bracing shown is for lateral support of truss members only and does not replace erection and permanent bracing. Refer to Building Component Safety Information (BCSI) for general guidance regarding storage, erection and bracing available from SBCA and Truss Plate Institute.



| | | | | | |
|-----------------|-------------|---------------------|----------|----------|---|
| Job 72500853 | Truss V1 | Truss Type Truss | Qty 1 | Ply 1 | MUNGO HOMES - MCDOWELL D ROOF Job Reference (optional) |
|-----------------|-------------|---------------------|----------|----------|---|

UFP Mid Atlantic LLC, 5631 S. NC 62, Burlington, NC, Joy Perry

Run: 8.81 S Sep 13 2024 Print: 8.810 S Sep 13 2024 MiTek Industries, Inc. Fri Jan 10 12:25:09

Page: 1

ID:INA77vuaqntqTCAaYT?TplyHJ2c-VOBYP1lbeKuXNX67MyACCHs4vM_9AU5kS2NMIMzwmq8

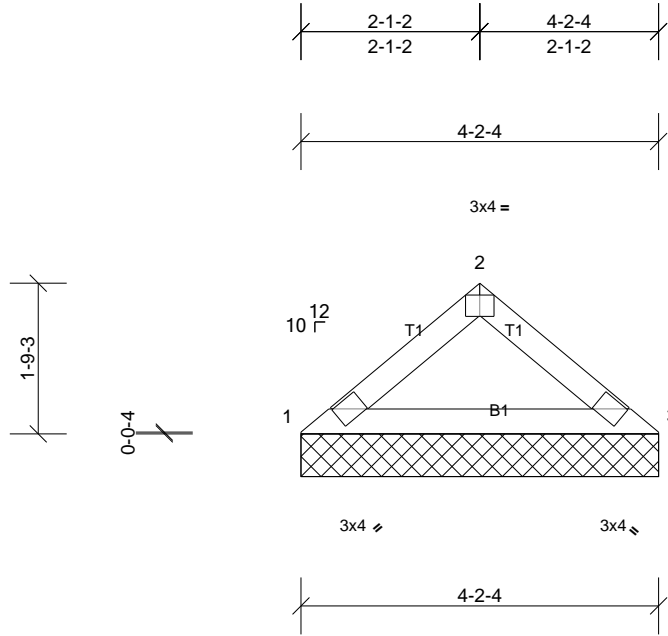


Plate Offsets (X, Y): [2:0-2-0,Edge]

| Loading | (psf) | Spacing | 2-0-0 | CSI | | DEFL | in | (loc) | l/defl | L/d | PLATES | GRIP |
|-------------|-------|-----------------|-----------------|-----------|------|-----------|------|-------|--------|-----|---------------|----------|
| TCLL (roof) | 20.0 | Plate Grip DOL | 1.15 | TC | 0.12 | Vert(LL) | n/a | - | n/a | 999 | MT20 | 244/190 |
| TCDL | 10.0 | Lumber DOL | 1.15 | BC | 0.11 | Vert(TL) | n/a | - | n/a | 999 | | |
| BCLL | 0.0* | Rep Stress Incr | YES | WB | 0.00 | Horiz(TL) | 0.00 | 3 | n/a | n/a | | |
| BCDL | 10.0 | Code | IRC2015/TPI2014 | Matrix-MP | | | | | | | Weight: 13 lb | FT = 20% |

LUMBER

TOP CHORD 2x4 SP No.2
BOT CHORD 2x4 SP No.2

BRACING

TOP CHORD Structural wood sheathing directly applied or 4-2-4 oc purlins.
BOT CHORD Rigid ceiling directly applied or 10-0-0 oc bracing.

REACTIONS

(lb/size) 1=167/4-2-4, (min. 0-1-8), 3=167/4-2-4, (min. 0-1-8)
Max Horiz 1=41 (LC 8)
Max Uplift 1=20 (LC 10), 3=20 (LC 11)

FORCES

(lb) - Max. Comp./Max. Ten. - All forces 250 (lb) or less except when shown.

NOTES

- Unbalanced roof live loads have been considered for this design.
- Wind: ASCE 7-10; Vult=130mph (3-second gust) Vasd=103mph; TCDL=6.0psf; BCDL=6.0psf; h=35ft; Cat. II; Exp B; Enclosed; MWFRS (envelope) exterior zone and C-C Exterior (2) zone; cantilever left and right exposed; end vertical left and right exposed; C-C for members and forces & MWFRS for reactions shown; Lumber DOL=1.60 plate grip DOL=1.60
- Gable requires continuous bottom chord bearing.
- This truss has been designed for a 10.0 psf bottom chord live load nonconcurrent with any other live loads.
- * This truss has been designed for a live load of 20.0psf on the bottom chord in all areas where a rectangle 3-06-00 tall by 2-00-00 wide will fit between the bottom chord and any other members.
- Provide mechanical connection (by others) of truss to bearing plate capable of withstanding 20 lb uplift at joint 1 and 20 lb uplift at joint 3.
- This truss is designed in accordance with the 2015 International Residential Code sections R502.11.1 and R802.10.2 and referenced standard ANSI/TPI 1.



This design is based upon parameters shown, and is for an individual building component to be installed and loaded vertically. Applicability of design parameters and proper incorporation of component is responsibility of the Building Designer. Building Designer shall verify all design information on this sheet for conformance with conditions and requirements of the specific building and governing codes and ordinances. Building Designer accepts responsibility for the correctness or accuracy of the design information as it may relate to a specific building. Certification is valid only when truss is fabricated by a UFPI plant. Bracing shown is for lateral support of truss members only and does not replace erection and permanent bracing. Refer to Building Component Safety Information (BCSI) for general guidance regarding storage, erection and bracing available from SBCA and Truss Plate Institute.



| | | | | | |
|-----------------|-------------|---------------------|----------|----------|---|
| Job 72500853 | Truss V2 | Truss Type Truss | Qty 1 | Ply 1 | MUNGO HOMES - MCDOWELL D ROOF Job Reference (optional) |
|-----------------|-------------|---------------------|----------|----------|---|

UFP Mid Atlantic LLC, 5631 S. NC 62, Burlington, NC, Joy Perry

Run: 8.81 S Sep 13 2024 Print: 8.810 S Sep 13 2024 MiTek Industries, Inc. Fri Jan 10 12:25:09

Page: 1

ID: rh6RAoYjJszWzY24nsaVcyHJ2k-VOBYP1lbeKuXNX67MyACCHs5FM?CAU5kS2NMIMzwmq8

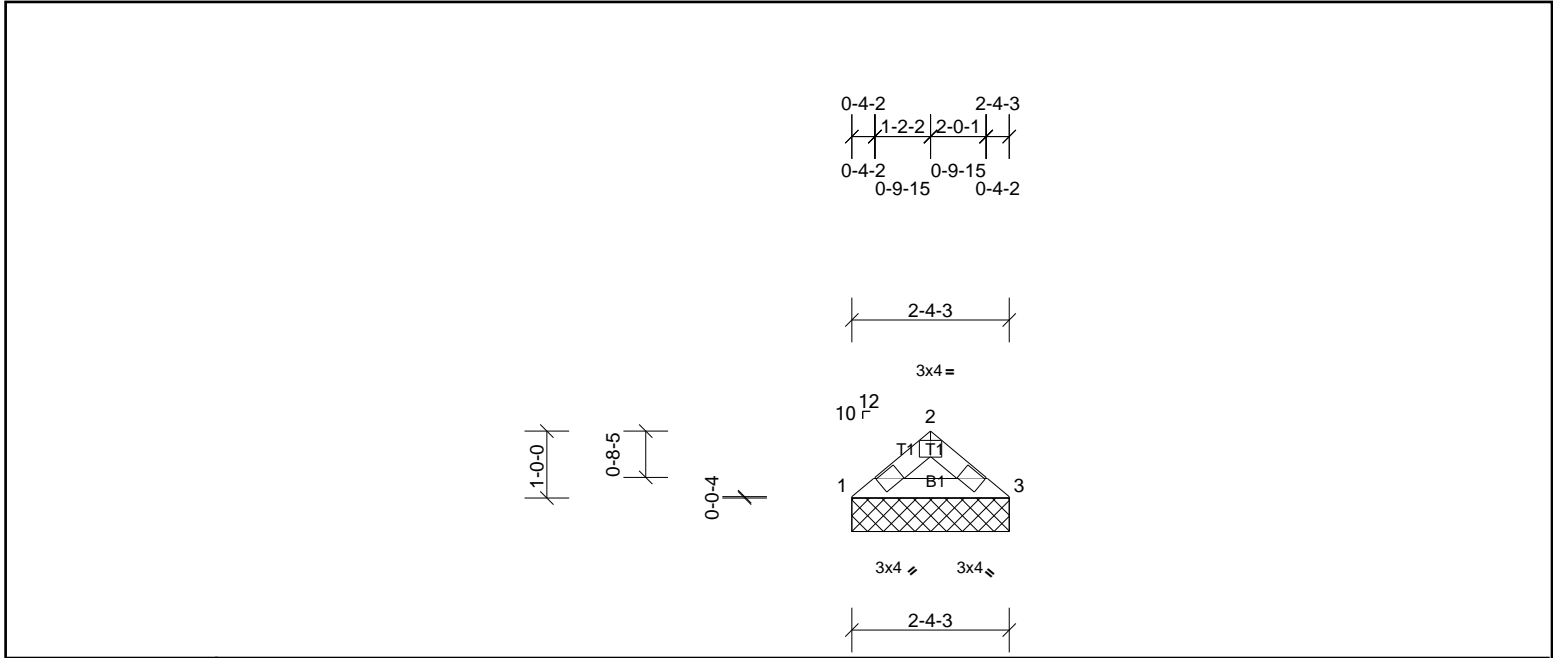


Plate Offsets (X, Y): [2:0-2-0,Edge]

| Loading | (psf) | Spacing | 2-0-0 | CSI | DEFL | in | (loc) | l/defl | L/d | PLATES | GRIP | |
|-------------|-------|-----------------|-----------------|-----------|------|-----------|-------|--------|-----|--------|--------------|----------|
| TCLL (roof) | 20.0 | Plate Grip DOL | 1.15 | TC | 0.04 | Vert(LL) | n/a | - | n/a | 999 | MT20 | 244/190 |
| TCDL | 10.0 | Lumber DOL | 1.15 | BC | 0.04 | Vert(TL) | n/a | - | n/a | 999 | | |
| BCLL | 0.0* | Rep Stress Incr | YES | WB | 0.00 | Horiz(TL) | 0.00 | 3 | n/a | n/a | | |
| BCDL | 10.0 | Code | IRC2015/TPI2014 | Matrix-MP | | | | | | | Weight: 7 lb | FT = 20% |

| LUMBER | BRACING |
|--|---|
| TOP CHORD 2x4 SP No.2 | TOP CHORD Structural wood sheathing directly applied or 2-4-3 oc purlins. |
| BOT CHORD 2x4 SP No.2 | BOT CHORD Rigid ceiling directly applied or 10-0-0 oc bracing. |
| REACTIONS (lb/size) 1=94/2-4-3, (min. 0-1-8), 3=94/2-4-3, (min. 0-1-8) Max Horiz 1=21 (LC 7) Max Uplift 1=12 (LC 10), 3=12 (LC 11) | |
| FORCES (lb) - Max. Comp./Max. Ten. - All forces 250 (lb) or less except when shown. | |

- NOTES**
- Unbalanced roof live loads have been considered for this design.
 - Wind: ASCE 7-10; Vult=130mph (3-second gust) Vasd=103mph; TCDL=6.0psf; BCDL=6.0psf; h=35ft; Cat. II; Exp B; Enclosed; MWFRS (envelope) exterior zone and C-C Exterior (2) zone; cantilever left and right exposed; end vertical left and right exposed; C-C for members and forces & MWFRS for reactions shown; Lumber DOL=1.60 plate grip DOL=1.60
 - Gable requires continuous bottom chord bearing.
 - This truss has been designed for a 10.0 psf bottom chord live load nonconcurrent with any other live loads.
 - * This truss has been designed for a live load of 20.0psf on the bottom chord in all areas where a rectangle 3-06-00 tall by 2-00-00 wide will fit between the bottom chord and any other members.
 - Provide mechanical connection (by others) of truss to bearing plate capable of withstanding 12 lb uplift at joint 1 and 12 lb uplift at joint 3.
 - This truss is designed in accordance with the 2015 International Residential Code sections R502.11.1 and R802.10.2 and referenced standard ANSI/TPI 1.



This design is based upon parameters shown, and is for an individual building component to be installed and loaded vertically. Applicability of design parameters and proper incorporation of component is responsibility of the Building Designer. Building Designer shall verify all design information on this sheet for conformance with conditions and requirements of the specific building and governing codes and ordinances. Building Designer accepts responsibility for the correctness or accuracy of the design information as it may relate to a specific building. Certification is valid only when truss is fabricated by a UFPI plant. Bracing shown is for lateral support of truss members only and does not replace erection and permanent bracing. Refer to Building Component Safety Information (BCSI) for general guidance regarding storage, erection and bracing available from SBCA and Truss Plate Institute.



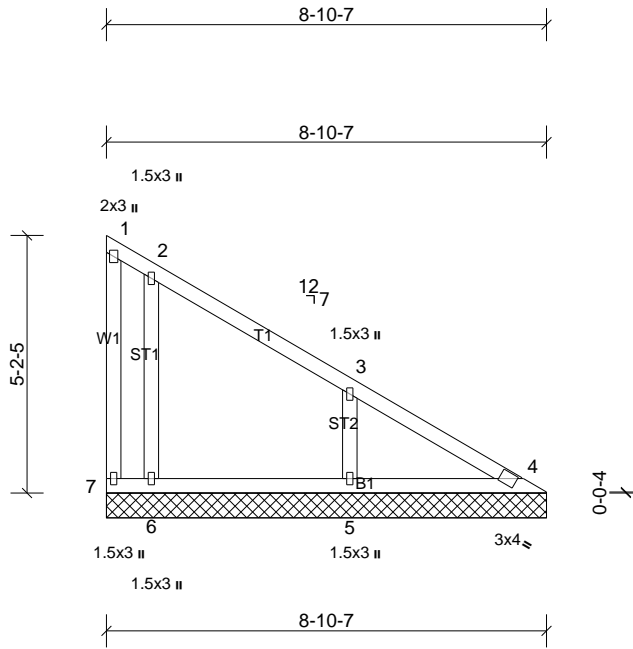
| | | | | | |
|-----------------|-------------|---------------------|----------|----------|---|
| Job 72500853 | Truss V3 | Truss Type Truss | Qty 1 | Ply 1 | MUNGO HOMES - MCDOWELL D ROOF Job Reference (optional) |
|-----------------|-------------|---------------------|----------|----------|---|

UFP Mid Atlantic LLC, 5631 S. NC 62, Burlington, NC, Joy Perry

Run: 8.81 S Sep 13 2024 Print: 8.810 S Sep 13 2024 MiTek Industries, Inc. Fri Jan 10 12:25:09

Page: 1

ID:SV_HyqBhcJcW_gD9yf7T7OyHFpf-VOBYP1IbeKuXNX67MyACCHs2yM_4ATjkS2NMIMzwmq8



| Loading | (psf) | Spacing | 2-0-0 | CSI | DEFL | in | (loc) | l/defl | L/d | PLATES | GRIP |
|-------------|-------|-----------------|-----------------|-----------|-----------|------|-------|--------|-----|---------------|----------|
| TCLL (roof) | 20.0 | Plate Grip DOL | 1.15 | TC | Vert(LL) | n/a | - | n/a | 999 | MT20 | 244/190 |
| TCDL | 10.0 | Lumber DOL | 1.15 | BC | Vert(TL) | n/a | - | n/a | 999 | | |
| BCLL | 0.0* | Rep Stress Incr | YES | WB | Horiz(TL) | 0.00 | 4 | n/a | n/a | | |
| BCDL | 10.0 | Code | IRC2015/TPI2014 | Matrix-SH | | | | | | Weight: 43 lb | FT = 20% |

LUMBER

TOP CHORD 2x4 SP No.2
 BOT CHORD 2x4 SP No.2
 WEBS 2x4 SP No.3
 OTHERS 2x4 SP No.3

BRACING

TOP CHORD Structural wood sheathing directly applied or 6-0-0 oc purlins, except end verticals.
 BOT CHORD Rigid ceiling directly applied or 6-0-0 oc bracing.

REACTIONS

All bearings 8-10-7.
 (lb) - Max Horiz 7=189 (LC 6)
 Max Uplift All uplift 100 (lb) or less at joint(s) 4, 6, 7 except 5=131 (LC 11)
 Max Grav All reactions 250 (lb) or less at joint(s) 4, 7 except 5=364 (LC 18), 6=295 (LC 18)

FORCES

(lb) - Max. Comp./Max. Ten. - All forces 250 (lb) or less except when shown.

WEBS

3-5=-270/179

NOTES

- Unbalanced roof live loads have been considered for this design.
- Wind: ASCE 7-10; Vult=130mph (3-second gust) Vasd=103mph; TCCL=6.0psf; BCDL=6.0psf; h=35ft; Cat. II; Exp B; Enclosed; MWFRS (envelope) exterior zone and C-C Exterior (2) zone; cantilever left and right exposed; end vertical left and right exposed; C-C for members and forces & MWFRS for reactions shown; Lumber DOL=1.60 plate grip DOL=1.60
- Truss designed for wind loads in the plane of the truss only.
- Gable requires continuous bottom chord bearing.
- Gable studs spaced at 4-0-0 oc.
- This truss has been designed for a 10.0 psf bottom chord live load nonconcurrent with any other live loads.
- * This truss has been designed for a live load of 20.0psf on the bottom chord in all areas where a rectangle 3-06-00 tall by 2-00-00 wide will fit between the bottom chord and any other members.
- Provide mechanical connection (by others) of truss to bearing plate capable of withstanding 100 lb uplift at joint(s) 7, 4, 6 except (jt=lb) 5=130.
- This truss is designed in accordance with the 2015 International Residential Code sections R502.11.1 and R802.10.2 and referenced standard ANSI/TPI 1.



This design is based upon parameters shown, and is for an individual building component to be installed and loaded vertically. Applicability of design parameters and proper incorporation of component is responsibility of the Building Designer. Building Designer shall verify all design information on this sheet for conformance with conditions and requirements of the specific building and governing codes and ordinances. Building Designer accepts responsibility for the correctness or accuracy of the design information as it may relate to a specific building. Certification is valid only when truss is fabricated by a UFPI plant. Bracing shown is for lateral support of truss members only and does not replace erection and permanent bracing. Refer to Building Component Safety Information (BCSI) for general guidance regarding storage, erection and bracing available from SBCA and Truss Plate Institute.



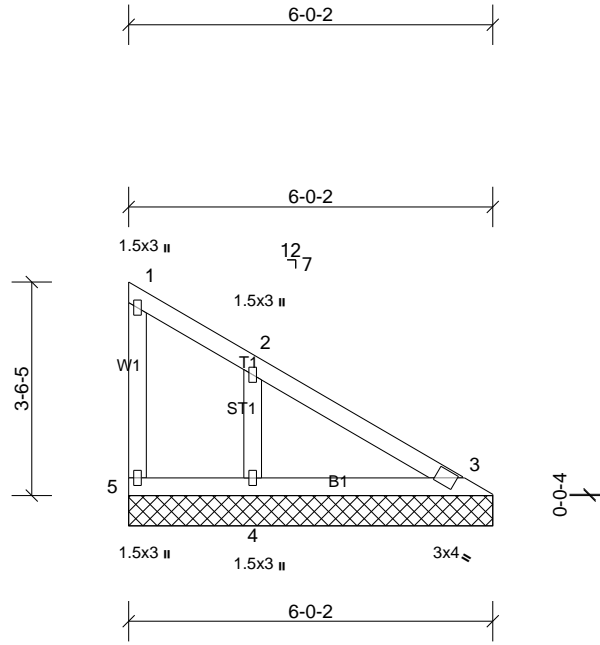
| | | | | | |
|-----------------|-------------|---------------------|----------|----------|---|
| Job 72500853 | Truss V4 | Truss Type Truss | Qty 1 | Ply 1 | MUNGO HOMES - MCDOWELL D ROOF Job Reference (optional) |
|-----------------|-------------|---------------------|----------|----------|---|

UFPI Mid Atlantic LLC, 5631 S. NC 62, Burlington, NC, Joy Perry

Run: 8.81 S Sep 13 2024 Print: 8.810 S Sep 13 2024 MiTek Industries, Inc. Fri Jan 10 12:25:09

Page: 1

ID:hyVGH55gVrbf1RcdUz_bpiyHFpn-VOBYP1lbeKuXNX67MyACCHs3IM_VAURkS2NMIMzwmq8



| Loading | (psf) | Spacing | 2-0-0 | CSI | DEFL | in | (loc) | l/defl | L/d | PLATES | GRIP | |
|-------------|-------|-----------------|-----------------|-----------|------|-----------|-------|--------|-----|--------|---------------|----------|
| TCLL (roof) | 20.0 | Plate Grip DOL | 1.15 | TC | 0.14 | Vert(LL) | n/a | - | n/a | 999 | MT20 | 244/190 |
| TCDL | 10.0 | Lumber DOL | 1.15 | BC | 0.09 | Vert(TL) | n/a | - | n/a | 999 | | |
| BCLL | 0.0* | Rep Stress Incr | YES | WB | 0.04 | Horiz(TL) | 0.00 | 3 | n/a | n/a | | |
| BCDL | 10.0 | Code | IRC2015/TPI2014 | Matrix-SH | | | | | | | Weight: 25 lb | FT = 20% |

LUMBER

| | |
|-----------|-------------|
| TOP CHORD | 2x4 SP No.2 |
| BOT CHORD | 2x4 SP No.2 |
| WEBS | 2x4 SP No.3 |
| OTHERS | 2x4 SP No.3 |

BRACING

| | |
|-----------|---|
| TOP CHORD | Structural wood sheathing directly applied or 6-0-0 oc purlins, except end verticals. |
| BOT CHORD | Rigid ceiling directly applied or 6-0-0 oc bracing. |

REACTIONS

| | |
|------------|--|
| (lb/size) | 3=112/6-0-2, (min. 0-1-8), 4=288/6-0-2, (min. 0-1-8), 5=29/6-0-2, (min. 0-1-8) |
| Max Horiz | 5=123 (LC 6) |
| Max Uplift | 4=107 (LC 11), 5=-19 (LC 6) |
| Max Grav | 3=117 (LC 17), 4=304 (LC 18), 5=37 (LC 18) |

FORCES

(lb) - Max. Comp./Max. Ten. - All forces 250 (lb) or less except when shown.

NOTES

- Unbalanced roof live loads have been considered for this design.
- Wind: ASCE 7-10; Vult=130mph (3-second gust) Vasd=103mph; TCCL=6.0psf; BCDL=6.0psf; h=35ft; Cat. II; Exp B; Enclosed; MWFRS (envelope) exterior zone and C-C Exterior (2) zone; cantilever left and right exposed; end vertical left and right exposed; C-C for members and forces & MWFRS for reactions shown; Lumber DOL=1.60 plate grip DOL=1.60
- Truss designed for wind loads in the plane of the truss only.
- Gable requires continuous bottom chord bearing.
- Gable studs spaced at 4-0-0 oc.
- This truss has been designed for a 10.0 psf bottom chord live load nonconcurrent with any other live loads.
- * This truss has been designed for a live load of 20.0psf on the bottom chord in all areas where a rectangle 3-06-00 tall by 2-00-00 wide will fit between the bottom chord and any other members.
- Provide mechanical connection (by others) of truss to bearing plate capable of withstanding 19 lb uplift at joint 5 and 107 lb uplift at joint 4.
- This truss is designed in accordance with the 2015 International Residential Code sections R502.11.1 and R802.10.2 and referenced standard ANSI/TPI 1.



This design is based upon parameters shown, and is for an individual building component to be installed and loaded vertically. Applicability of design parameters and proper incorporation of component is responsibility of the Building Designer. Building Designer shall verify all design information on this sheet for conformance with conditions and requirements of the specific building and governing codes and ordinances. Building Designer accepts responsibility for the correctness or accuracy of the design information as it may relate to a specific building. Certification is valid only when truss is fabricated by a UFPI plant. Bracing shown is for lateral support of truss members only and does not replace erection and permanent bracing. Refer to Building Component Safety Information (BCSI) for general guidance regarding storage, erection and bracing available from SBCA and Truss Plate Institute.



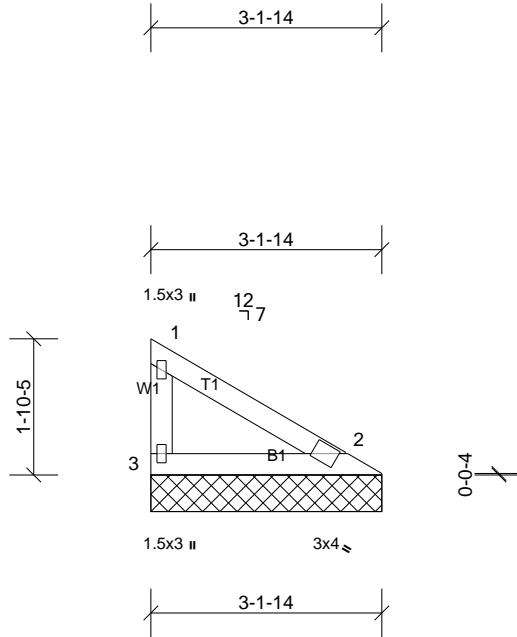
| | | | | | |
|-----------------|-------------|---------------------|----------|----------|---|
| Job 72500853 | Truss V5 | Truss Type Truss | Qty 1 | Ply 1 | MUNGO HOMES - MCDOWELL D ROOF Job Reference (optional) |
|-----------------|-------------|---------------------|----------|----------|---|

UFP Mid Atlantic LLC, 5631 S. NC 62, Burlington, NC, Joy Perry

Run: 8.81 S Sep 13 2024 Print: 8.810 S Sep 13 2024 MiTek Industries, Inc. Fri Jan 10 12:25:09

Page: 1

ID:RESs00_1c4SwS3QuSaKUXpyHFpw-VOBYP1lbeKuXNX67MyACCHs45M_nAU5kS2NMIMzwmq8



| Loading | (psf) | Spacing | 2-0-0 | CSI | DEFL | in | (loc) | l/defl | L/d | PLATES | GRIP | |
|-------------|-------|-----------------|-----------------|----------|------|-----------|-------|--------|-----|--------|---------------|----------|
| TCLL (roof) | 20.0 | Plate Grip DOL | 1.15 | TC | 0.11 | Vert(LL) | n/a | - | n/a | 999 | MT20 | 244/190 |
| TCDL | 10.0 | Lumber DOL | 1.15 | BC | 0.07 | Vert(TL) | n/a | - | n/a | 999 | | |
| BCLL | 0.0* | Rep Stress Incr | YES | WB | 0.00 | Horiz(TL) | 0.00 | 2 | n/a | n/a | | |
| BCDL | 10.0 | Code | IRC2015/TPI2014 | Matrix-P | | | | | | | Weight: 11 lb | FT = 20% |

| LUMBER | BRACING |
|-----------------------|---|
| TOP CHORD 2x4 SP No.2 | TOP CHORD Structural wood sheathing directly applied or 3-2-5 oc purlins, except end verticals. |
| BOT CHORD 2x4 SP No.2 | BOT CHORD Rigid ceiling directly applied or 10-0-0 oc bracing. |
| WEBS 2x4 SP No.3 | |

| REACTIONS | (lb/size) | 2=100/3-1-14, (min. 0-1-8), 3=100/3-1-14, (min. 0-1-8) |
|------------|-----------------------------|--|
| Max Horiz | 3=58 (LC 6) | |
| Max Uplift | 2=12 (LC 11), 3=29 (LC 11) | |
| Max Grav | 2=100 (LC 1), 3=109 (LC 18) | |

FORCES (lb) - Max. Comp./Max. Ten. - All forces 250 (lb) or less except when shown.

- NOTES**
- Unbalanced roof live loads have been considered for this design.
 - Wind: ASCE 7-10; Vult=130mph (3-second gust) Vasd=103mph; TCCL=6.0psf; BCDL=6.0psf; h=35ft; Cat. II; Exp B; Enclosed; MWFRS (envelope) exterior zone and C-C Exterior (2) zone; cantilever left and right exposed; end vertical left and right exposed; C-C for members and forces & MWFRS for reactions shown; Lumber DOL=1.60 plate grip DOL=1.60
 - Gable requires continuous bottom chord bearing.
 - This truss has been designed for a 10.0 psf bottom chord live load nonconcurrent with any other live loads.
 - * This truss has been designed for a live load of 20.0psf on the bottom chord in all areas where a rectangle 3-06-00 tall by 2-00-00 wide will fit between the bottom chord and any other members.
 - Provide mechanical connection (by others) of truss to bearing plate capable of withstanding 29 lb uplift at joint 3 and 12 lb uplift at joint 2.
 - This truss is designed in accordance with the 2015 International Residential Code sections R502.11.1 and R802.10.2 and referenced standard ANSI/TPI 1.



This design is based upon parameters shown, and is for an individual building component to be installed and loaded vertically. Applicability of design parameters and proper incorporation of component is responsibility of the Building Designer. Building Designer shall verify all design information on this sheet for conformance with conditions and requirements of the specific building and governing codes and ordinances. Building Designer accepts responsibility for the correctness or accuracy of the design information as it may relate to a specific building. Certification is valid only when truss is fabricated by a UFPI plant. Bracing shown is for lateral support of truss members only and does not replace erection and permanent bracing. Refer to Building Component Safety Information (BCSI) for general guidance regarding storage, erection and bracing available from SBCA and Truss Plate Institute.



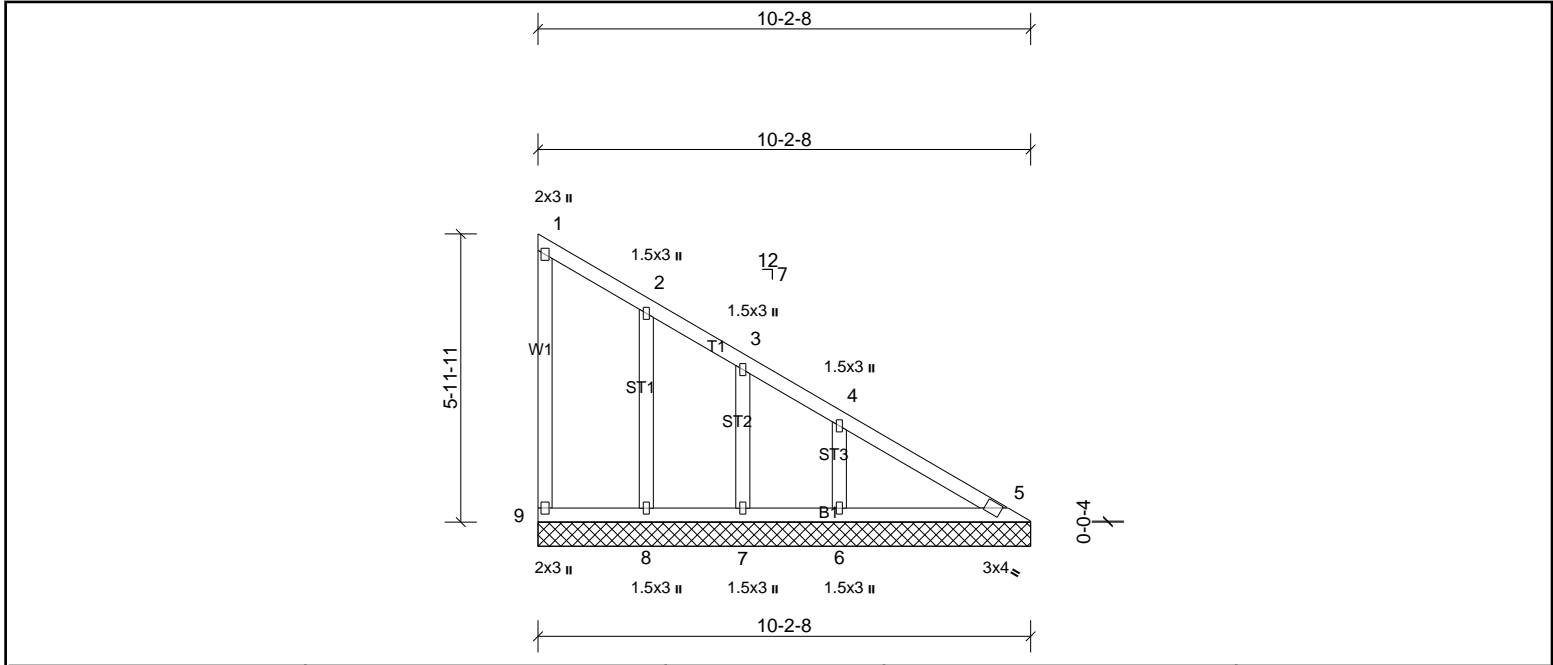
| | | | | | |
|-----------------|-------------|---------------------|----------|----------|---|
| Job 72500853 | Truss V6 | Truss Type Truss | Qty 1 | Ply 1 | MUNGO HOMES - MCDOWELL D ROOF Job Reference (optional) |
|-----------------|-------------|---------------------|----------|----------|---|

UFPI Mid Atlantic LLC, 5631 S. NC 62, Burlington, NC, Joy Perry

Run: 8.81 S Sep 13 2024 Print: 8.810 S Sep 13 2024 MiTek Industries, Inc. Fri Jan 10 12:25:09

Page: 1

ID:d45b7zvG1Eink8yk6KD3iYyHFq0-VOBYP1lbeKuXNX67MyACCHs0FM_AAUBkS2NMIMzwmq8



| Loading | (psf) | Spacing | 2-0-0 | CSI | DEFL | in | (loc) | l/defl | L/d | PLATES | GRIP | |
|-------------|-------|-----------------|-----------------|-----------|------|-----------|-------|--------|-----|--------|---------------|----------|
| TCLL (roof) | 20.0 | Plate Grip DOL | 1.15 | TC | 0.36 | Vert(LL) | n/a | - | n/a | 999 | MT20 | 244/190 |
| TCDL | 10.0 | Lumber DOL | 1.15 | BC | 0.11 | Vert(TL) | n/a | - | n/a | 999 | | |
| BCLL | 0.0* | Rep Stress Incr | YES | WB | 0.06 | Horiz(TL) | 0.00 | 5 | n/a | n/a | | |
| BCDL | 10.0 | Code | IRC2015/TPI2014 | Matrix-SH | | | | | | | Weight: 53 lb | FT = 20% |

| LUMBER | | BRACING | |
|-----------|-------------|-----------|---|
| TOP CHORD | 2x4 SP No.2 | TOP CHORD | Structural wood sheathing directly applied or 6-0-0 oc purlins, except end verticals. |
| BOT CHORD | 2x4 SP No.2 | BOT CHORD | Rigid ceiling directly applied or 10-0-0 oc bracing. |
| WEBS | 2x4 SP No.3 | | |
| OTHERS | 2x4 SP No.3 | | |

REACTIONS All bearings 10-2-8.
 (lb) - Max Horiz 9=220 (LC 6)
 Max Uplift All uplift 100 (lb) or less at joint(s) 5, 7, 8, 9 except 6=107 (LC 11)
 Max Grav All reactions 250 (lb) or less at joint(s) 5, 7, 8, 9 except 6=299 (LC 18)

FORCES (lb) - Max. Comp./Max. Ten. - All forces 250 (lb) or less except when shown.

- NOTES**
- Unbalanced roof live loads have been considered for this design.
 - Wind: ASCE 7-10; Vult=130mph (3-second gust) Vasd=103mph; TC DL=6.0psf; BC DL=6.0psf; h=35ft; Cat. II; Exp B; Enclosed; MWFRS (envelope) exterior zone and C-C Exterior (2) zone; cantilever left and right exposed; end vertical left and right exposed; C-C for members and forces & MWFRS for reactions shown; Lumber DOL=1.60 plate grip DOL=1.60
 - Truss designed for wind loads in the plane of the truss only.
 - Gable requires continuous bottom chord bearing.
 - Gable studs spaced at 2-0-0 oc.
 - This truss has been designed for a 10.0 psf bottom chord live load nonconcurrent with any other live loads.
 - * This truss has been designed for a live load of 20.0psf on the bottom chord in all areas where a rectangle 3-06-00 tall by 2-00-00 wide will fit between the bottom chord and any other members.
 - Provide mechanical connection (by others) of truss to bearing plate capable of withstanding 100 lb uplift at joint(s) 9, 5, 7, 8 except (jt=lb) 6=106.
 - This truss is designed in accordance with the 2015 International Residential Code sections R502.11.1 and R802.10.2 and referenced standard ANSI/TPI 1.



This design is based upon parameters shown, and is for an individual building component to be installed and loaded vertically. Applicability of design parameters and proper incorporation of component is responsibility of the Building Designer. Building Designer shall verify all design information on this sheet for conformance with conditions and requirements of the specific building and governing codes and ordinances. Building Designer accepts responsibility for the correctness or accuracy of the design information as it may relate to a specific building. Certification is valid only when truss is fabricated by a UFPI plant. Bracing shown is for lateral support of truss members only and does not replace erection and permanent bracing. Refer to Building Component Safety Information (BCSI) for general guidance regarding storage, erection and bracing available from SBCA and Truss Plate Institute.



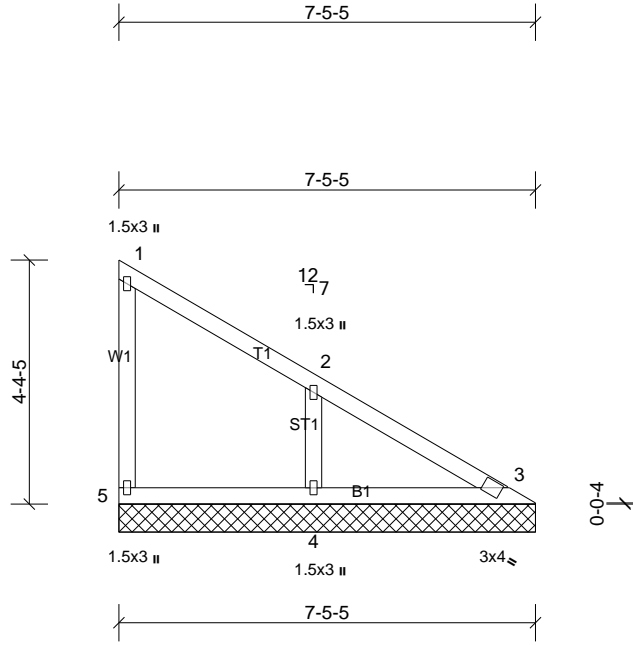
| | | | | | |
|-----------------|-------------|---------------------|----------|----------|---|
| Job 72500853 | Truss V7 | Truss Type Truss | Qty 1 | Ply 1 | MUNGO HOMES - MCDOWELL D ROOF Job Reference (optional) |
|-----------------|-------------|---------------------|----------|----------|---|

UFP Mid Atlantic LLC, 5631 S. NC 62, Burlington, NC, Joy Perry

Run: 8.81 S Sep 13 2024 Print: 8.810 S Sep 13 2024 MiTek Industries, Inc. Fri Jan 10 12:25:09

Page: 1

ID:ZBhw_rjsZdpvQqJsigSYbOyHFqF-VOBYP1lbeKuXNX67MyACCHs3yM_AAUJkS2NMIMzwmq8



| Loading | (psf) | Spacing | 2-0-0 | CSI | DEFL | in | (loc) | l/defl | L/d | PLATES | GRIP | |
|-------------|-------|-----------------|-----------------|-----------|------|-----------|-------|--------|-----|--------|---------------|----------|
| TCLL (roof) | 20.0 | Plate Grip DOL | 1.15 | TC | 0.18 | Vert(LL) | n/a | - | n/a | 999 | MT20 | 244/190 |
| TCDL | 10.0 | Lumber DOL | 1.15 | BC | 0.11 | Vert(TL) | n/a | - | n/a | 999 | | |
| BCLL | 0.0* | Rep Stress Incr | YES | WB | 0.05 | Horiz(TL) | 0.00 | 3 | n/a | n/a | | |
| BCDL | 10.0 | Code | IRC2015/TPI2014 | Matrix-SH | | | | | | | Weight: 31 lb | FT = 20% |

LUMBER

TOP CHORD 2x4 SP No.2
 BOT CHORD 2x4 SP No.2
 WEBS 2x4 SP No.3
 OTHERS 2x4 SP No.3

BRACING

TOP CHORD Structural wood sheathing directly applied or 6-0-0 oc purlins, except end verticals.
 BOT CHORD Rigid ceiling directly applied or 10-0-0 oc bracing.

REACTIONS

(lb/size) 3=109/7-5-5, (min. 0-1-8), 4=331/7-5-5, (min. 0-1-8), 5=103/7-5-5, (min. 0-1-8)
 Max Horiz 5=-156 (LC 6)
 Max Uplift 4=-124 (LC 11), 5=-28 (LC 6)
 Max Grav 3=123 (LC 17), 4=350 (LC 18), 5=117 (LC 18)

FORCES

(lb) - Max. Comp./Max. Ten. - All forces 250 (lb) or less except when shown.

WEBS

2-4=-259/165

NOTES

- 1) Unbalanced roof live loads have been considered for this design.
- 2) Wind: ASCE 7-10; Vult=130mph (3-second gust) Vasd=103mph; TCCL=6.0psf; BCDL=6.0psf; h=35ft; Cat. II; Exp B; Enclosed; MWFRS (envelope) exterior zone and C-C Exterior (2) zone; cantilever left and right exposed; end vertical left and right exposed; C-C for members and forces & MWFRS for reactions shown; Lumber DOL=1.60 plate grip DOL=1.60
- 3) Truss designed for wind loads in the plane of the truss only.
- 4) Gable requires continuous bottom chord bearing.
- 5) Gable studs spaced at 4-0-0 oc.
- 6) This truss has been designed for a 10.0 psf bottom chord live load nonconcurrent with any other live loads.
- 7) * This truss has been designed for a live load of 20.0psf on the bottom chord in all areas where a rectangle 3-06-00 tall by 2-00-00 wide will fit between the bottom chord and any other members.
- 8) Provide mechanical connection (by others) of truss to bearing plate capable of withstanding 28 lb uplift at joint 5 and 124 lb uplift at joint 4.
- 9) This truss is designed in accordance with the 2015 International Residential Code sections R502.11.1 and R802.10.2 and referenced standard ANSI/TPI 1.



This design is based upon parameters shown, and is for an individual building component to be installed and loaded vertically. Applicability of design parameters and proper incorporation of component is responsibility of the Building Designer. Building Designer shall verify all design information on this sheet for conformance with conditions and requirements of the specific building and governing codes and ordinances. Building Designer accepts responsibility for the correctness or accuracy of the design information as it may relate to a specific building. Certification is valid only when truss is fabricated by a UFPI plant. Bracing shown is for lateral support of truss members only and does not replace erection and permanent bracing. Refer to Building Component Safety Information (BCSI) for general guidance regarding storage, erection and bracing available from SBCA and Truss Plate Institute.



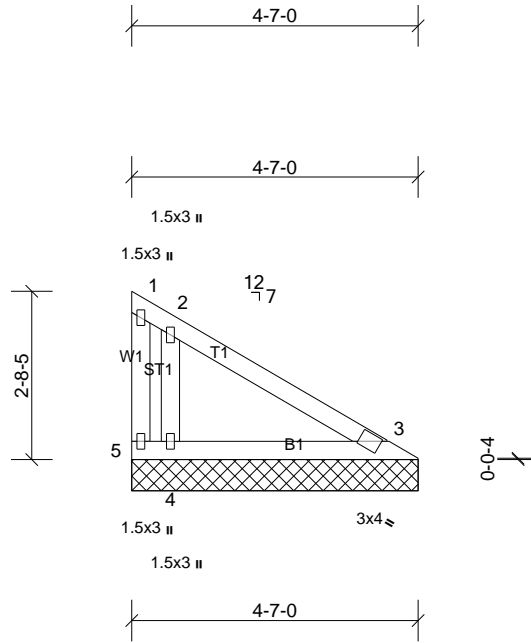
| | | | | | |
|-----------------|-------------|---------------------|----------|----------|---|
| Job 72500853 | Truss V8 | Truss Type Truss | Qty 1 | Ply 1 | MUNGO HOMES - MCDOWELL D ROOF Job Reference (optional) |
|-----------------|-------------|---------------------|----------|----------|---|

UFP Mid Atlantic LLC, 5631 S. NC 62, Burlington, NC, Joy Perry

Run: 8.81 S Sep 13 2024 Print: 8.810 S Sep 13 2024 MiTek Industries, Inc. Fri Jan 10 12:25:09

Page: 1

ID:vtzOTkaKOxl_c_OY09Ek6syHFqR-VOBYP1beKuXNX67MyACCHs3IM_DAT3kS2NMIMzwmq8



| Loading | (psf) | Spacing | 2-0-0 | CSI | DEFL | in | (loc) | l/defl | L/d | PLATES | GRIP | |
|-------------|-------|-----------------|-----------------|----------|------|-----------|-------|--------|-----|--------|---------------|----------|
| TCLL (roof) | 20.0 | Plate Grip DOL | 1.15 | TC | 0.16 | Vert(LL) | n/a | - | n/a | 999 | MT20 | 244/190 |
| TCDL | 10.0 | Lumber DOL | 1.15 | BC | 0.11 | Vert(TL) | n/a | - | n/a | 999 | | |
| BCLL | 0.0* | Rep Stress Incr | YES | WB | 0.07 | Horiz(TL) | 0.00 | 3 | n/a | n/a | | |
| BCDL | 10.0 | Code | IRC2015/TPI2014 | Matrix-P | | | | | | | Weight: 20 lb | FT = 20% |

LUMBER

TOP CHORD 2x4 SP No.2
 BOT CHORD 2x4 SP No.2
 WEBS 2x4 SP No.3
 OTHERS 2x4 SP No.3

BRACING

TOP CHORD Structural wood sheathing directly applied or 4-7-7 oc purlins, except end verticals.
 BOT CHORD Rigid ceiling directly applied or 10-0-0 oc bracing.

REACTIONS

(lb/size) 3=111/4-7-0, (min. 0-1-8), 4=386/4-7-0, (min. 0-1-8), 5=182/4-7-0, (min. 0-1-8)
 Max Horiz 5=90 (LC 6)
 Max Uplift 3=2 (LC 11), 4=136 (LC 11), 5=188 (LC 18)
 Max Grav 3=111 (LC 1), 4=408 (LC 18), 5=74 (LC 11)

FORCES

(lb) - Max. Comp./Max. Ten. - All forces 250 (lb) or less except when shown.

WEBS

2-4=-314/224

NOTES

- 1) Unbalanced roof live loads have been considered for this design.
- 2) Wind: ASCE 7-10; Vult=130mph (3-second gust) Vasd=103mph; TCCL=6.0psf; BCDL=6.0psf; h=35ft; Cat. II; Exp B; Enclosed; MWFRS (envelope) exterior zone and C-C Exterior (2) zone; cantilever left and right exposed; end vertical left and right exposed; C-C for members and forces & MWFRS for reactions shown; Lumber DOL=1.60 plate grip DOL=1.60
- 3) Truss designed for wind loads in the plane of the truss only.
- 4) Gable requires continuous bottom chord bearing.
- 5) Gable studs spaced at 4-0-0 oc.
- 6) This truss has been designed for a 10.0 psf bottom chord live load nonconcurrent with any other live loads.
- 7) * This truss has been designed for a live load of 20.0psf on the bottom chord in all areas where a rectangle 3-06-00 tall by 2-00-00 wide will fit between the bottom chord and any other members.
- 8) Provide mechanical connection (by others) of truss to bearing plate capable of withstanding 188 lb uplift at joint 5, 2 lb uplift at joint 3 and 136 lb uplift at joint 4.
- 9) This truss is designed in accordance with the 2015 International Residential Code sections R502.11.1 and R802.10.2 and referenced standard ANSI/TPI 1.



This design is based upon parameters shown, and is for an individual building component to be installed and loaded vertically. Applicability of design parameters and proper incorporation of component is responsibility of the Building Designer. Building Designer shall verify all design information on this sheet for conformance with conditions and requirements of the specific building and governing codes and ordinances. Building Designer accepts responsibility for the correctness or accuracy of the design information as it may relate to a specific building. Certification is valid only when truss is fabricated by a UFPI plant. Bracing shown is for lateral support of truss members only and does not replace erection and permanent bracing. Refer to Building Component Safety Information (BCSI) for general guidance regarding storage, erection and bracing available from SBCA and Truss Plate Institute.

