

BATTLE CREEK LOG HOMES
 THE LOG HOME PLACE
 9955 LADDS COVE RD.
 SO. PITTSBURG, TN 37380
 PHONE #: 1-800-326-8045
 FAX #: 423-837-8045
 www.theloghomeplace.com



DISCLAIMER:
 WHILE EVERY EFFORT HAS BEEN MADE TO PREVENT ERRORS OR OMISSIONS WHILE PREPARING THIS PLAN, THE CONTRACTOR MUST RECHECK ALL NOTES, DETAILS AND DIMENSIONS AND BE RESPONSIBLE FOR SAME.

COPYRIGHT:
 THESE DRAWINGS ARE THE PROPERTY OF BCLH. ANY USE, REUSE, REPRODUCTION, DISPLAY, OR SALE OF THESE DRAWINGS WITHOUT THE EXPRESS WRITTEN CONSENT OF BCLH IS STRICTLY PROHIBITED.

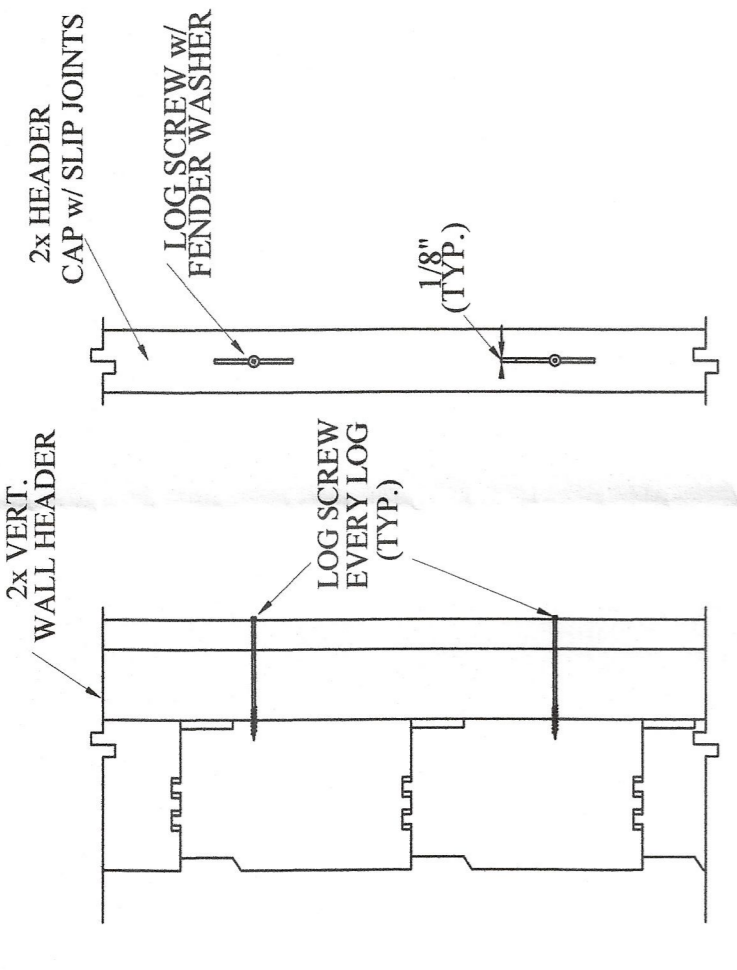
RESIDENCE FOR:
RAY NORRIS
 LINDEN, NC

DRAWN BY:
 DWH
DATE:
 12/03/24
SCALE:
 1/4" = 1'-0"

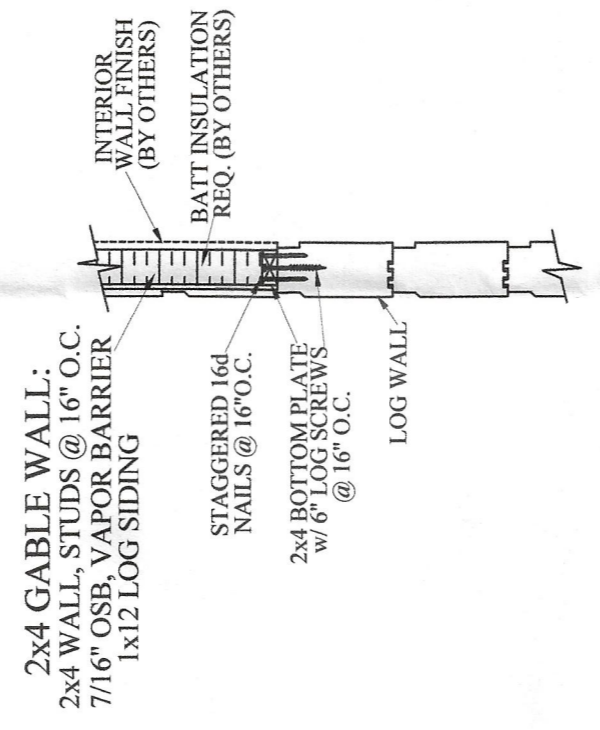
#	REVISION / ISSUE	DATE

SHEET NAME:
 FLOOR PLAN
SHEET NUMBER:
 3 OF 5

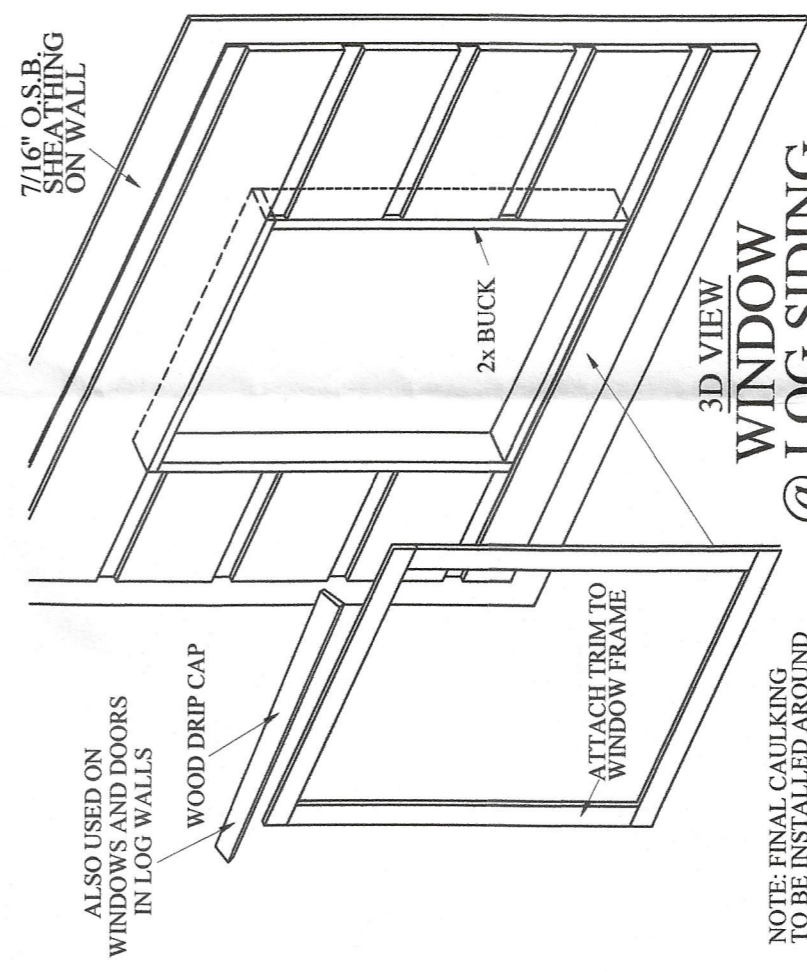
CUSTOMER APPROVAL:
 NAME: _____ DATE: _____
 (PLEASE PROVIDE HANDWRITTEN SIGNATURE)



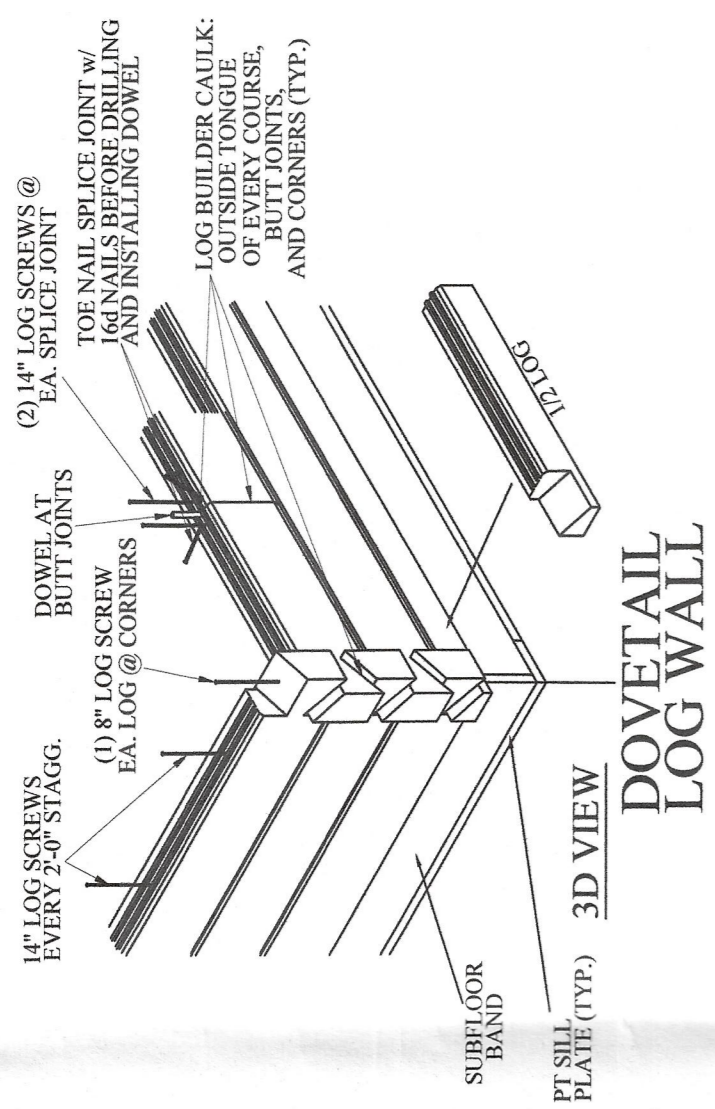
ALLOWANCE FOR LOG SHRINKAGE @ INTERIOR FIRST FLOOR WALL FRAMING @ EXTERIOR LOG WALL



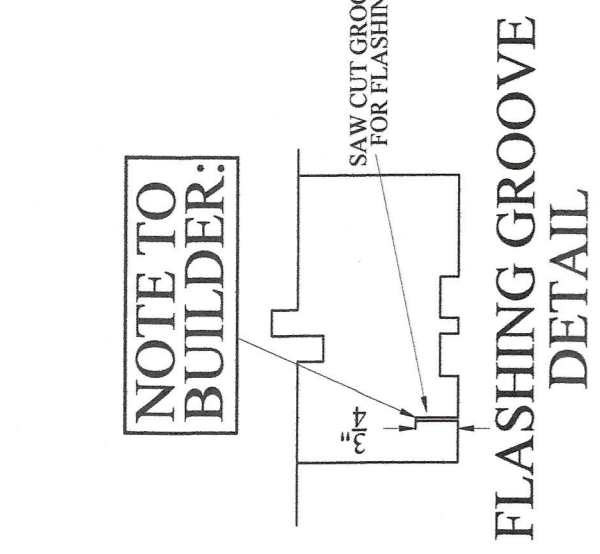
SECTION GABLE SIDING @ LOG WALL



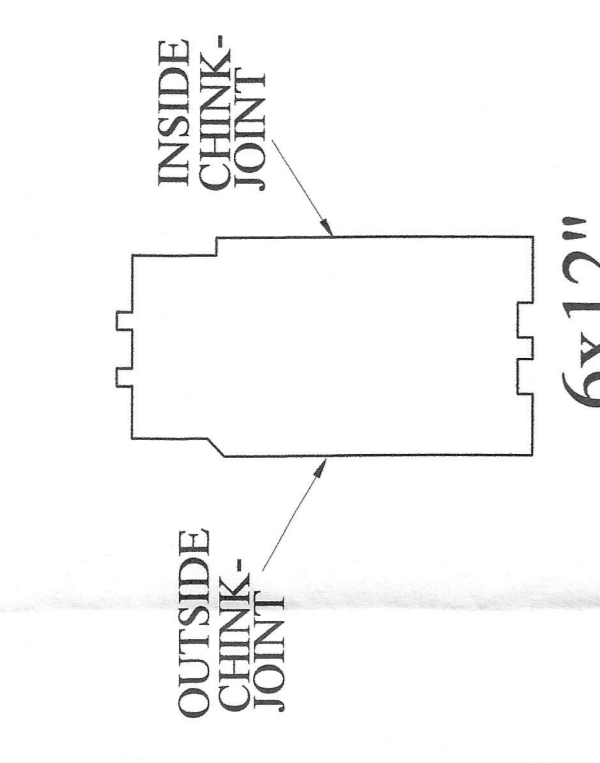
3D VIEW WINDOW LOG SIDING @ LOG SIDING
 NOTE: FINAL CAULKING TO BE INSTALLED AROUND WINDOW AND DOORS FROM INTERIOR (BY OTHERS).
 PROTECTO WRAP TO BE INSTALLED AS WATERPROOFING MEMBRANE TO SILL AROUND WINDOWS TO PREVENT LEAKS. REFER TO PRODUCT DIRECTIONS FOR APPLICATION. (CHINK GROOVE SHOWN, STYLE MAY VARY)



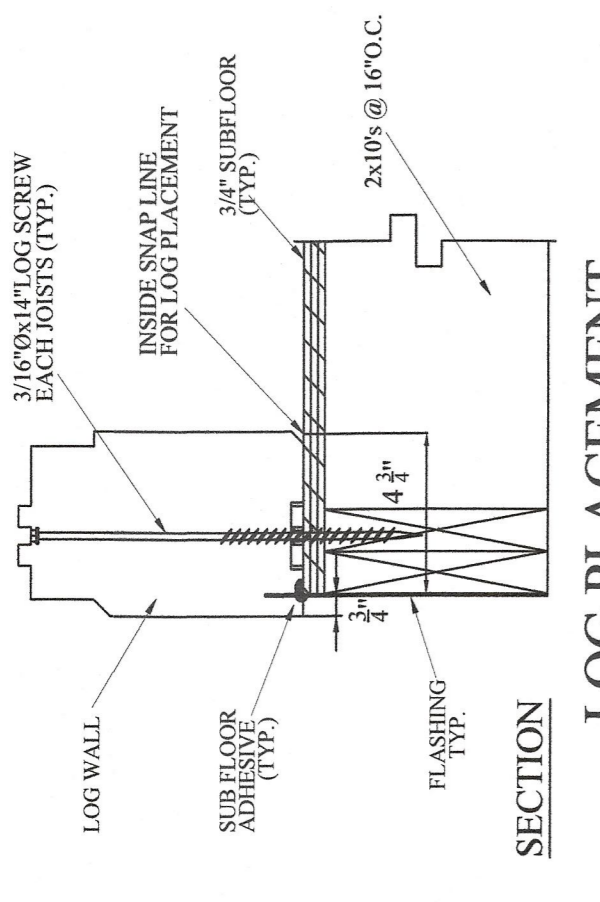
DOVETAIL LOG WALL



FLASHING GROOVE DETAIL

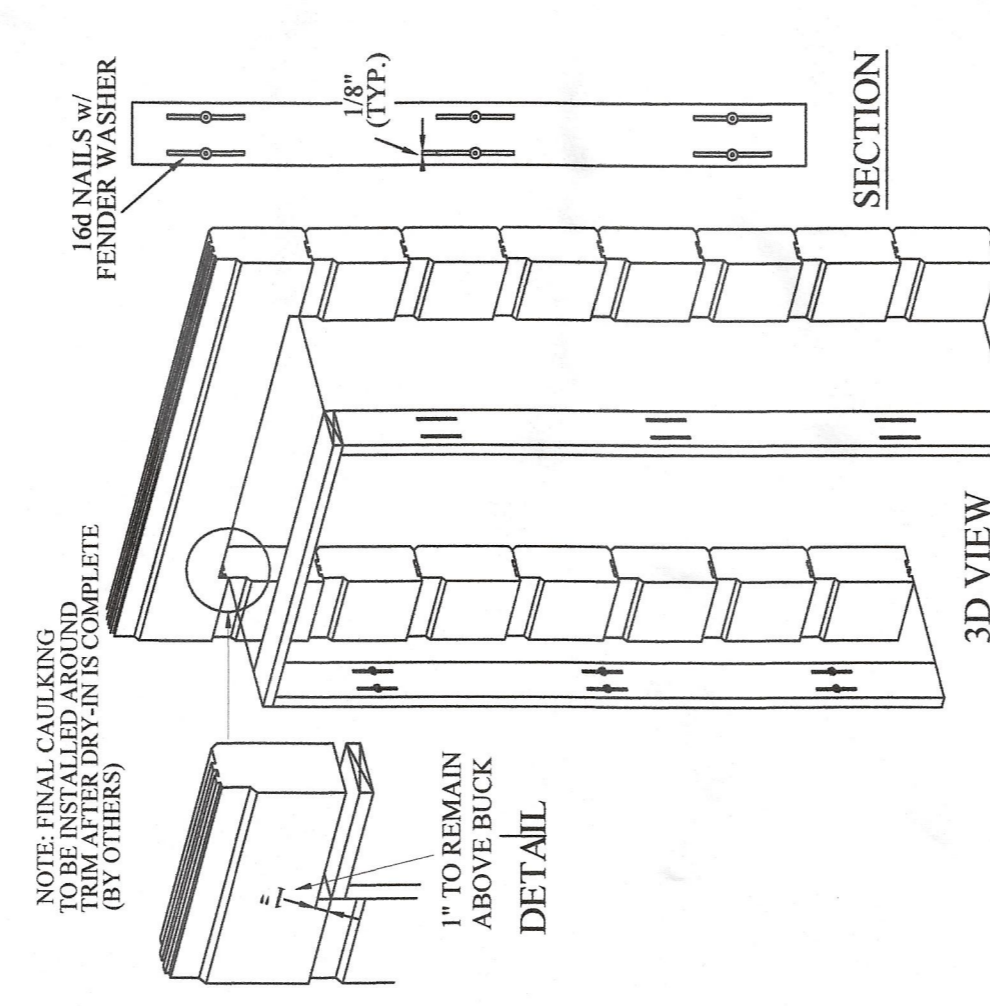


INSIDE CHINK JOINT
OUTSIDE CHINK JOINT
6x12"



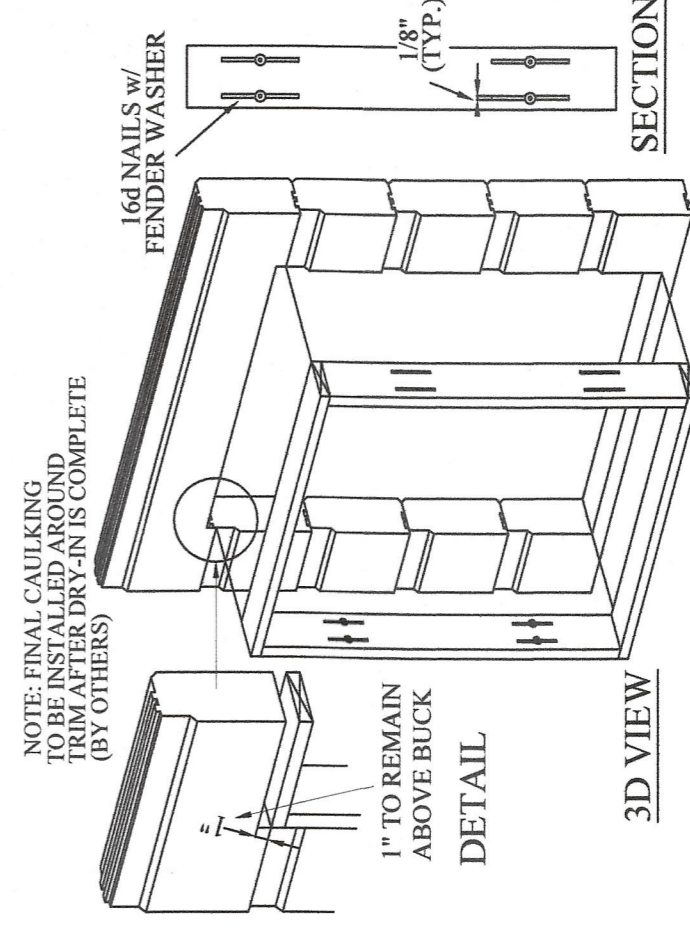
SECTION LOG PLACEMENT DETAIL

NOTE: LOG ERECTION CREW FIELD MEASURE LOG WIDTH OF 5-1/2" IF DIFFERENT COMPENSATE WITH SNAP LINE



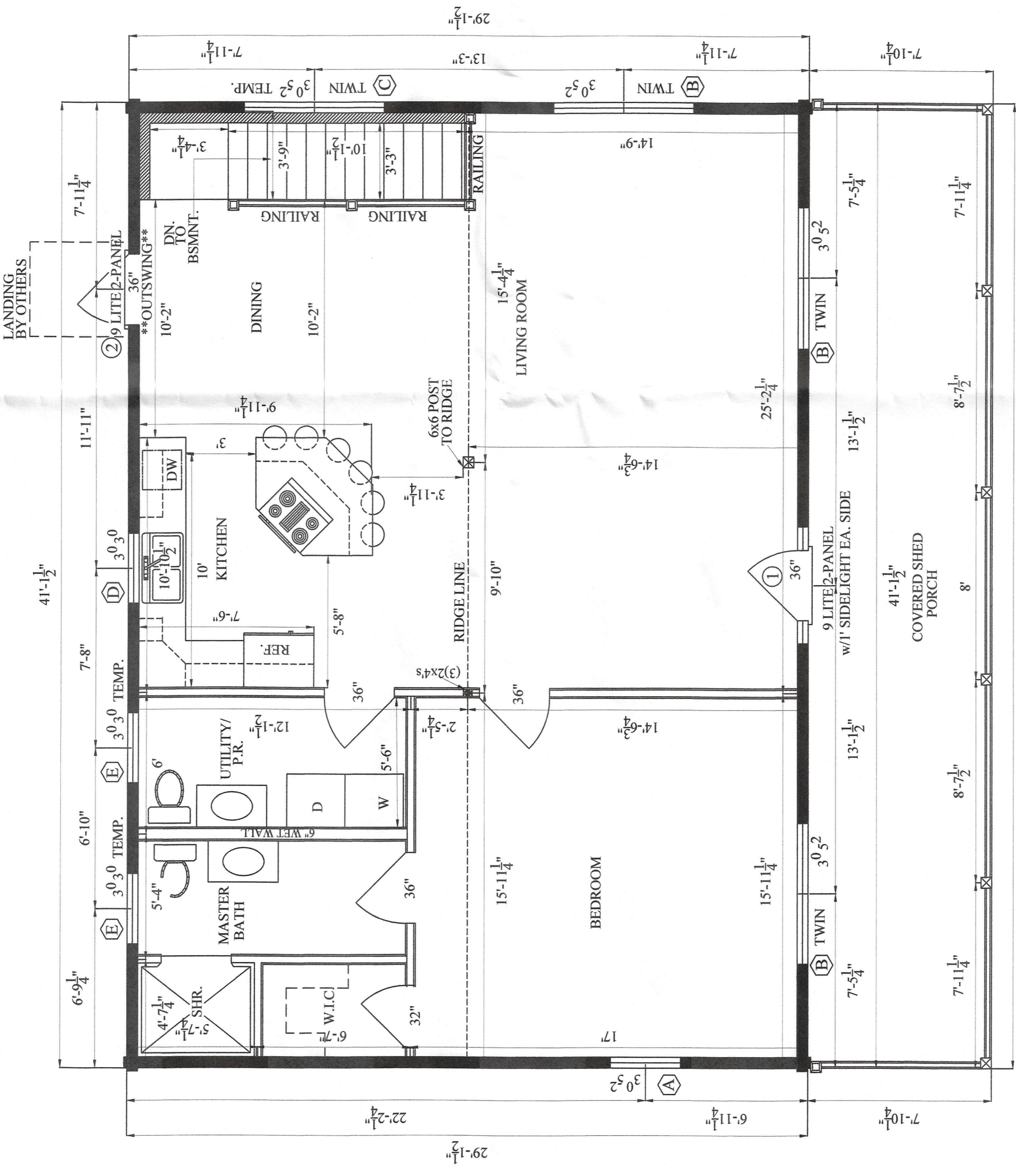
SECTION SLIP JOINT DETAILS

3D VIEW SLIP JOINT DETAILS
 PROTECTO WRAP TO BE INSTALLED AS WATERPROOFING MEMBRANE TO SILL AROUND WINDOWS TO PREVENT LEAKS. REFER TO PRODUCT DIRECTIONS FOR APPLICATION. (CHINK GROOVE SHOWN, STYLE MAY VARY)



3D VIEW SLIP JOINT DETAILS

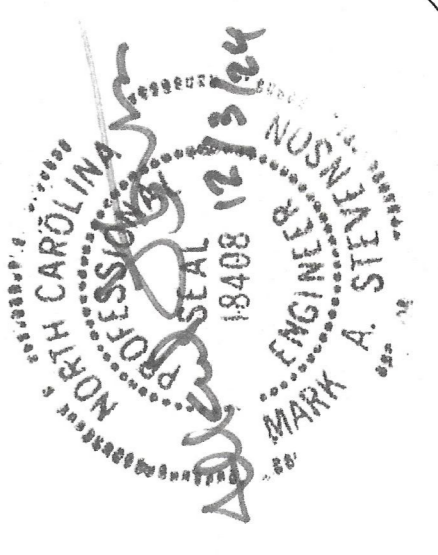
PROTECTO WRAP TO BE INSTALLED AS WATERPROOFING MEMBRANE TO SILL AROUND WINDOWS TO PREVENT LEAKS. REFER TO PRODUCT DIRECTIONS FOR APPLICATION. (CHINK GROOVE SHOWN, STYLE MAY VARY)



FLOOR PLAN
 FIRST FLOOR SQ. FT. = 1,206
 COVERED PORCH SQ. FT. = 321

WINDOW SCHEDULE					
INSULATED LOW VINYL MANUFACTURED WINDOWS SUPPLIED BY BATTLE CREEK LOG HOMES UNLESS OTHERWISE NOTED					
MARK	QUAN.	SASH SIZE	FINISH	REMARKS	LOCATION
(A)	1	SINGLE 3'-0" X 5'-2"	VINYL		LOG WALL
(B)	3	TWIN 3'-0" X 5'-2"	VINYL	TEMPERED	LOG WALL
(C)	1	TWIN 3'-0" X 5'-2"	VINYL	TEMPERED	LOG WALL
(D)	1	SINGLE 3'-0" X 3'-0"	VINYL	TEMPERED	LOG WALL
(E)	2	SINGLE 3'-0" X 3'-0"	VINYL	TEMPERED	LOG WALL

EXTERIOR DOOR SCHEDULE			
BY BATTLE CREEK LOG HOMES UNLESS NOTED OTHERWISE			
MARK	QUAN.	TYPE	REMARKS
(1)	1	3'-0" X 6'-8" SLIP JOINT	METAL LH INSWING
(2)	1	3'-0" X 6'-8" SLIP JOINT	METAL RH **OUTSWING**



bennett&piess
 Experience Structural Expertise

THE SEAL & SIGNATURE AFFIXED IS APPLICABLE FOR STRUCTURAL DESIGN OF FRAMING & NEW FOUNDATIONS

BATTLE CREEK LOG HOMES
 THE LOG HOME PLACE
 9955 LADDS COVE RD.
 SO. PITTSBURG, TN 37380
 PHONE #: 1-800-326-8045
 FAX #: 423-837-8045
 www.theloghomeplace.com



DISCLAIMER:

WHILE EVERY EFFORT HAS BEEN MADE TO PREVENT ERRORS OR OMISSIONS WHILE PREPARING THIS PLAN, THE CONTRACTOR SHALL BE RESPONSIBLE FOR VERIFYING ALL DIMENSIONS AND BE RESPONSIBLE FOR SAME.

COPYRIGHT:

THESE DRAWINGS ARE THE PROPERTY OF BCLH. ANY USE, REUSE, REPRODUCTION, DISPLAY, OR SALE OF THESE DRAWINGS WITHOUT THE EXPRESS WRITTEN CONSENT OF BCLH IS STRICTLY PROHIBITED.

RESIDENCE FOR:

RAY NORRIS
 LINDEN, NC

DRAWN BY:

DWH

DATE:

12/03/24

SCALE:

1/4" = 1'-0"

#	REVISION / ISSUE	DATE

SHEET NAME:

ELEVATIONS

SHEET NUMBER:

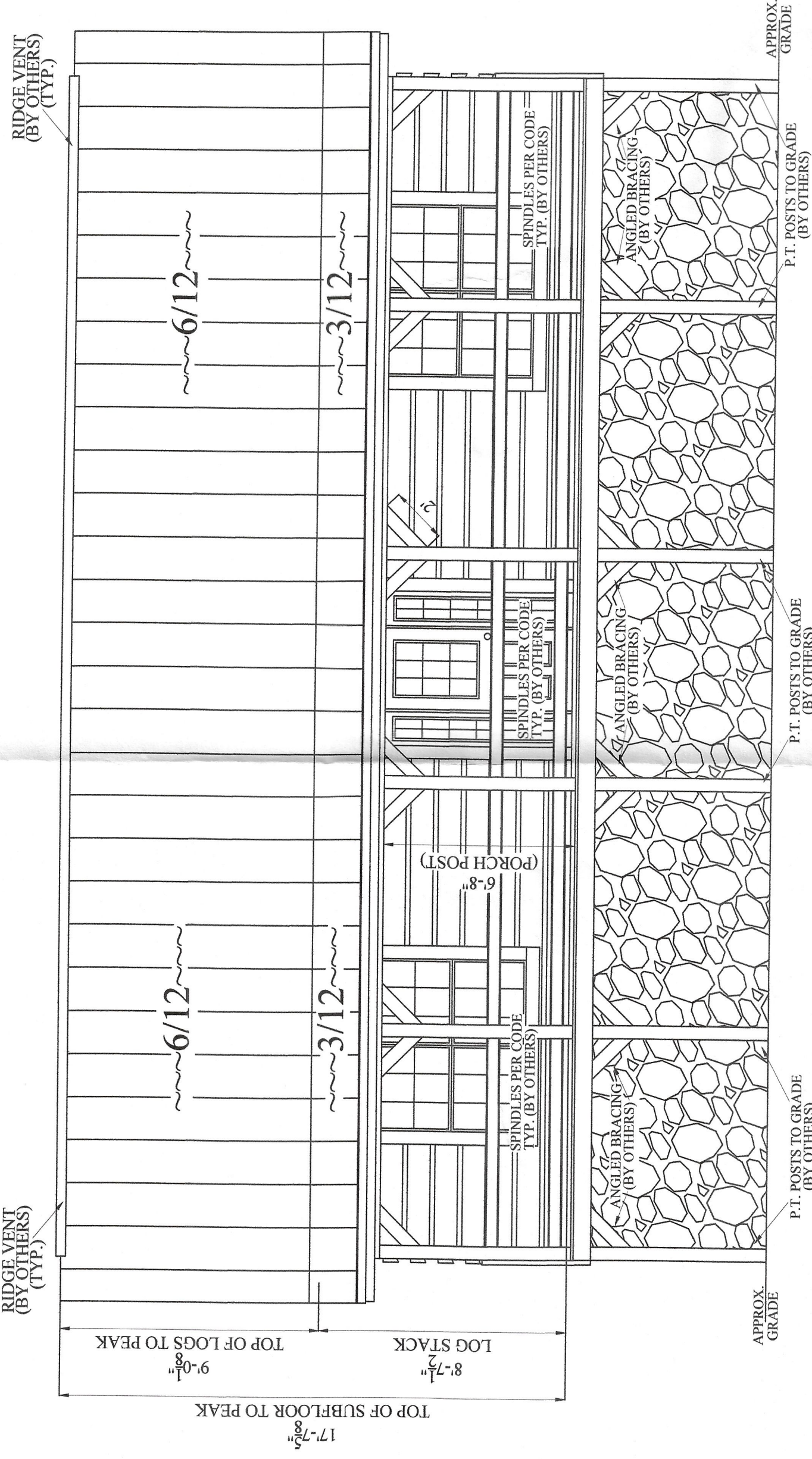
5 OF 5

CUSTOMER APPROVAL:

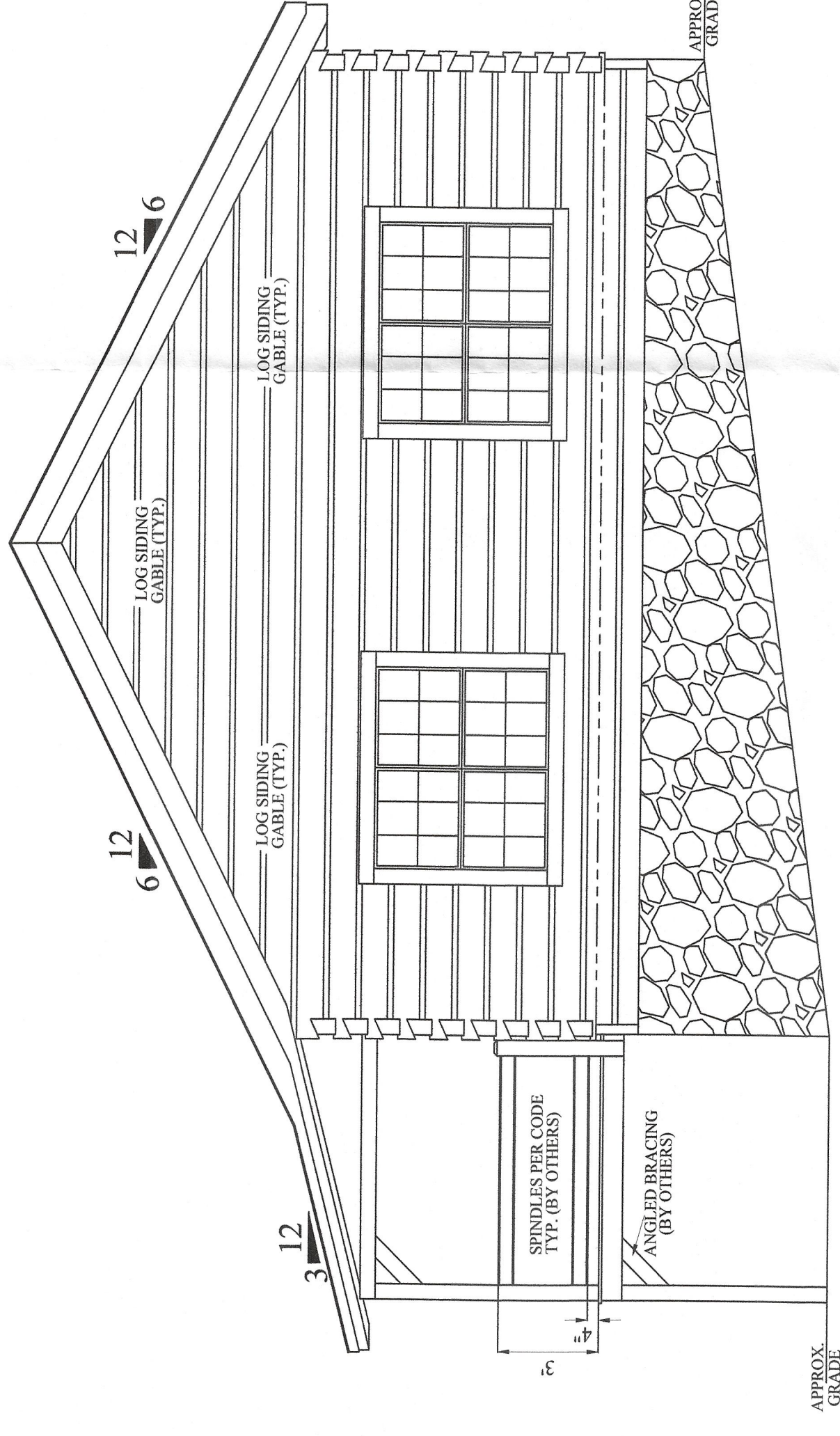
NAME:

DATE:

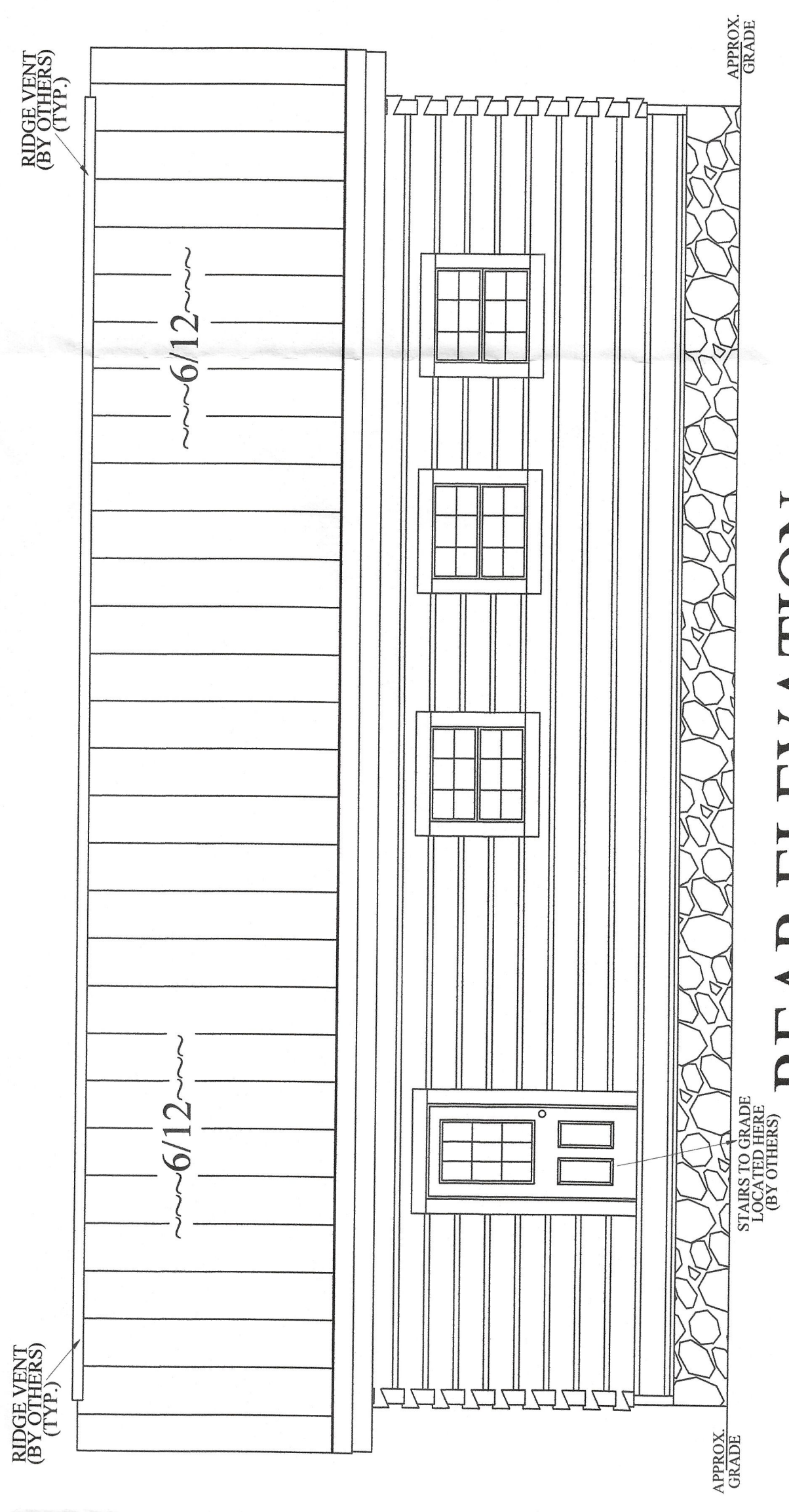
(PLEASE PROVIDE HAND WRITTEN SIGNATURE)



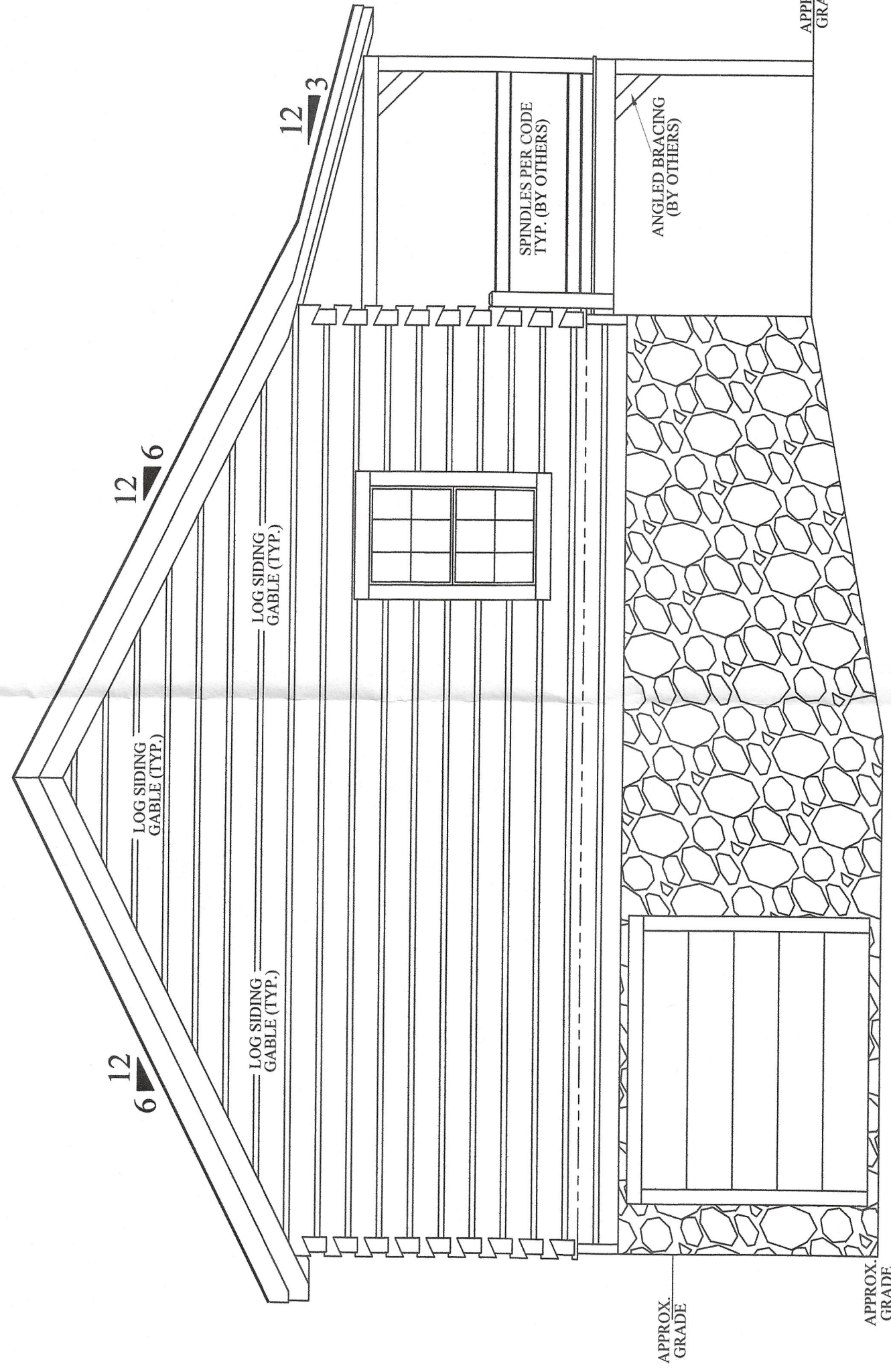
FRONT ELEVATION



RIGHT SIDE ELEVATION



REAR ELEVATION



LEFT SIDE ELEVATION

THE SEAL & SIGNATURE AFFIXED IS APPLICABLE FOR STRUCTURAL DESIGN OF FRAMING & NEW FOUNDATIONS

bennett&pluss
 Experience Structural Expertise

