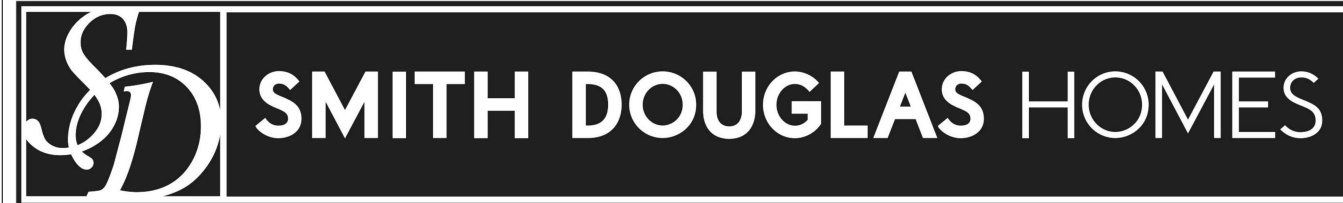


COLEMAN

CEDAR POINTE

LOT 11

PLAN ID 060121.1201



QUALITY | INTEGRITY | VALUE

110 VILLAGE TRAIL SUITE 215
WOODSTOCK, GA. 30188

DRAWING INDEX

A0.0	COVER SHEET
A1.1	FRONT ELEVATIONS
A2.1	SIDE & REAR ELEVATIONS
A3.1	SLAB FOUNDATION
A5.1	FIRST FLOOR PLANS & DETAILS
A5.2	SECOND FLOOR PLANS & DETAILS
A6.1	ROOF PLANS
A7.2-A7.3	ELECTRICAL PLANS

AREA TABULATION

FIRST FLOOR	838
SECOND FLOOR	1215
TOTAL	2053
GARAGE	438
FRONT PORCH (COVERED)	84
REAR PATIO	120

PLAN REVISIONS

DATE	BY	REVISION	PAGE #
10/30/2021	AW	Prototype walk revisions - see revision sheet	ALL
4/1/2022	AW	Final walk revisions - see revision sheet	A5.2, A5.2, A7.3
11/1/2022	AW	PCR #4985 Change 2x6 wall in laundry to 2-2x4s - takes 1.5" out of hall/linen	A5.2, A7.3
12/1/2022	AW	PCR #5030 Added 8" in depth to kitchen (pantry & around island) - reduced Dining/Study 8" in depth	A3.1, A5.1, A7.2, A8.1
9/21/2023	BB	REMOVED SHOWER AND TUB SIZES FROM ALL AFFECTED PAGES	A3.1, A5.1, A7.3

GOVERNMENTAL CODES & STANDARDS

HOME TO BE BUILT TO CONFORM TO ALL APPLICABLE LOCAL CODES, PRACTICES AND STANDARDS
--

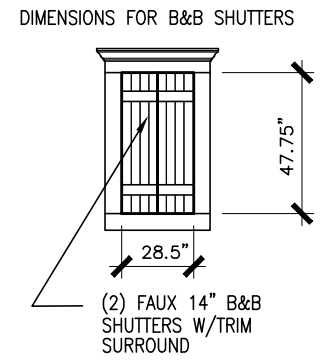
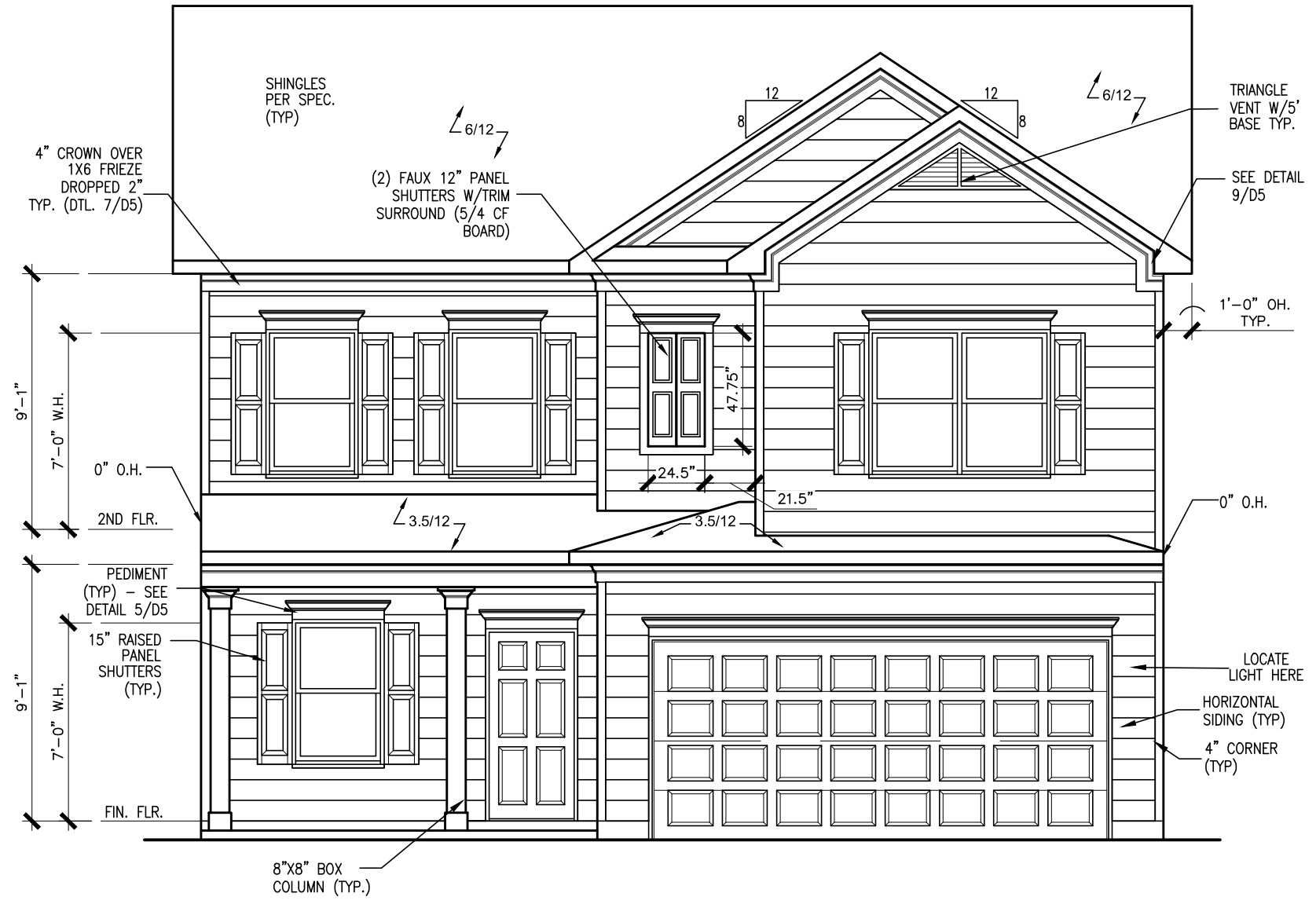
BUILDING CODE ANALYSIS / DESIGN CRITERIA

HOME TO BE BUILT TO MEET OR EXCEED ALL LOCAL CODES AND DESIGN CRITERIA
--

ALL NON-MASONRY RETURNS TO BE HORIZONTAL SIDING

SEE SHEET D3 OF SDH TYPICAL DETAILS FOR SOFFIT DETAILS PER SOFFIT MATERIAL

CEDAR POINTE LOT 11



FRONT ELEVATION "A"

SCALE: 3/16"=1'-0"

BY	REVISION	DATE
#	#	#
#	#	#
#	#	#
#	#	#
#	#	#

SMITH DOUGLAS HOMES
QUALITY | INTEGRITY | VALUE

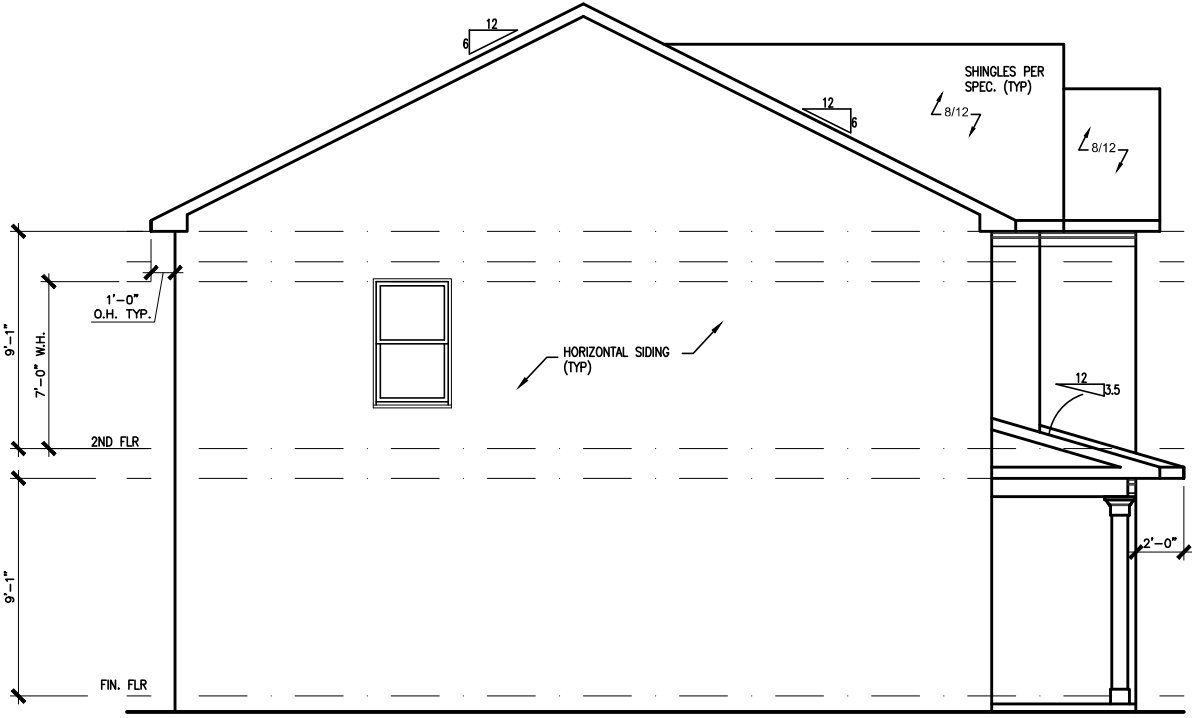
ELEVATIONS
FRONT ELEVATION
COLEMAN

SMITH DOUGLAS HOMES
110 VILLAGE TRAIL
SUITE 115
WOODSTOCK, GA 30188
www.smithdouglas.com

SMITH DOUGLAS HOMES expressly reserves its property rights in these plans and drawings. These plans and related drawings are not to be reproduced without written consent from SMITH DOUGLAS HOMES.

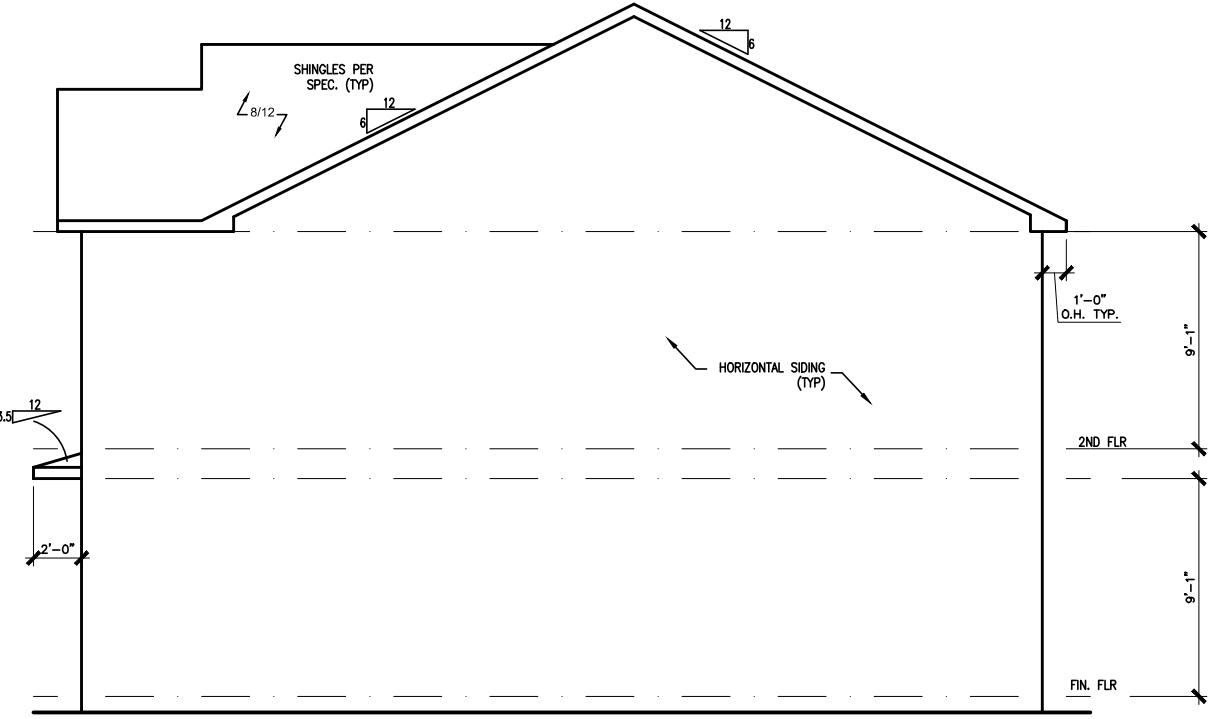
BY: AAP	CH: AW
DATE: 1/28/2025	
FACADE OPT: A	
PLAN ID:	
FND: ALL	ELEV: A
PAGE NO: A1.1	

CEDAR POINTE LOT 11



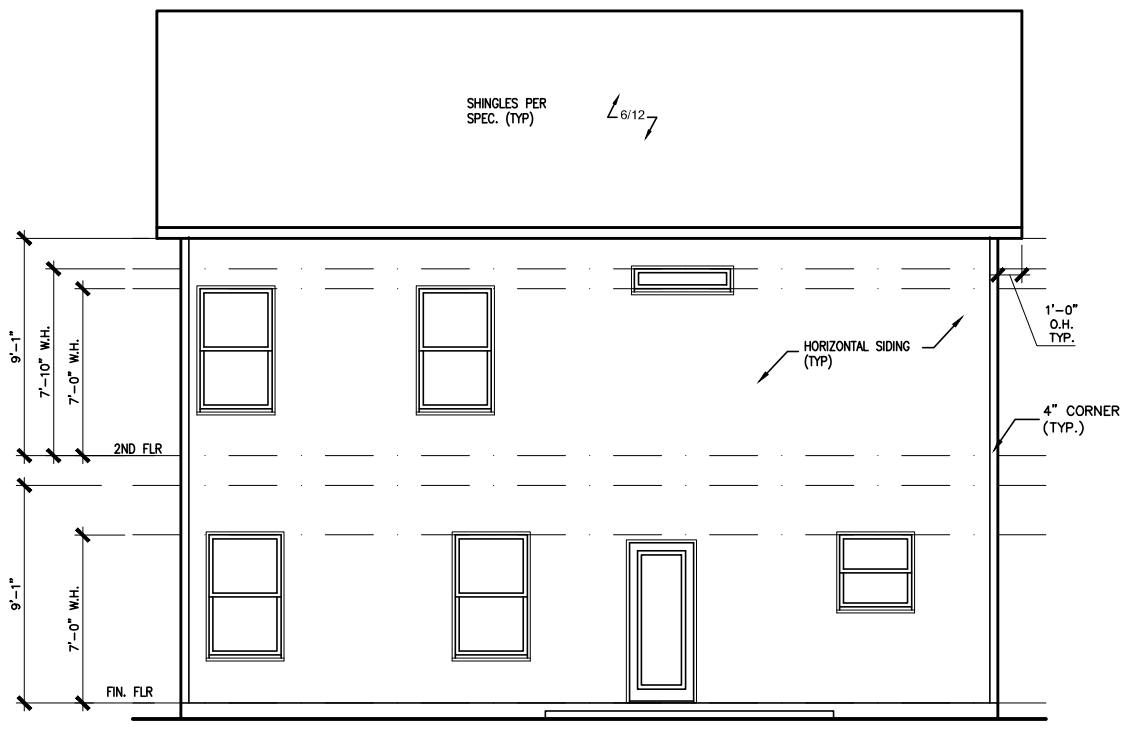
LEFT ELEVATION "A"

SCALE: 1/8" = 1'-0"



RIGHT ELEVATION "A"

SCALE: 1/8" = 1'-0"



REAR ELEVATION "A"

SCALE: 1/8" = 1'-0"

DATE	REVISION	BY	#

SMITH DOUGLAS HOMES
QUALITY | INTEGRITY | VALUE

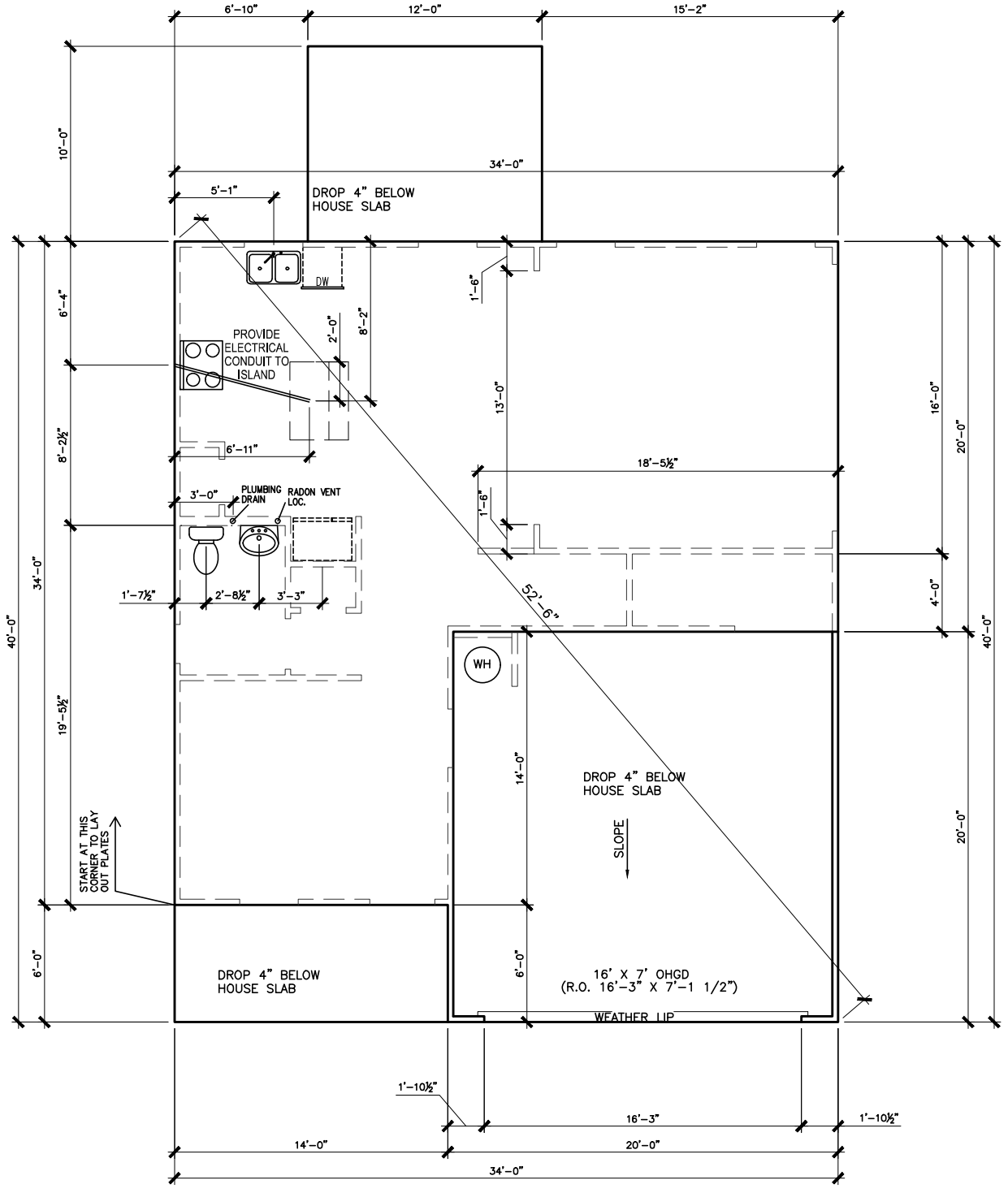
ELEVATIONS
SIDES AND REAR
COLEMAN

SMITH DOUGLAS HOMES
110 VILLAGE TRAIL
SUITE 115
WOODSTOCK, GA 30188
www.smithdouglas.com

SMITH DOUGLAS HOMES expressly reserves its property rights in these plans and drawings. These plans and related drawings are not to be reproduced without written consent from SMITH DOUGLAS HOMES.

BY: AAP	CH: AW
DATE: 1/28/2025	
FACADE OPT: A	
PLAN ID:	
FND: ALL	ELEV: A
PAGE NO: A2.1	

CEDAR POINTE LOT 11



*RADON VENT PROVIDED PER LOCAL CODE

REFER TO DETAIL 3/D1 FOR BRICK LEDGE DETAIL WHEN BRICK VENEER IS CHOSEN

SLAB PLAN

SCALE: 1/8" = 1'-0"

DATE	REVISION	BY
#	#	#
#	#	#
#	#	#
#	#	#
#	#	#



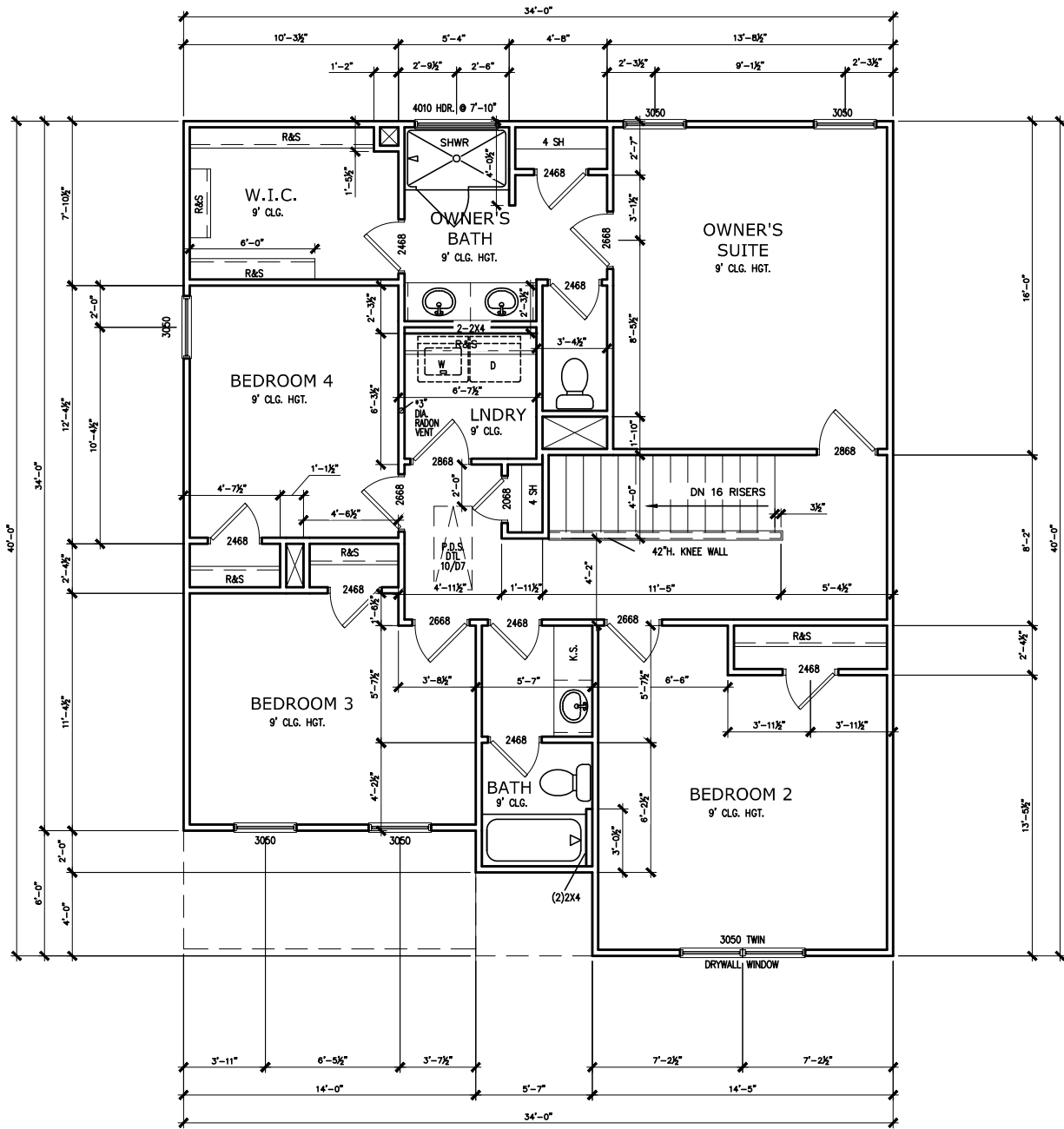
FOUNDATION PLAN
SLAB PLAN
COLEMAN

SMITH DOUGLAS HOMES
110 VILLAGE TRAIL
SUITE 115
WOODSTOCK, GA 30188
www.smithdouglas.com

SMITH DOUGLAS HOMES expressly reserves its property rights in these plans and drawings. These plans and related drawings are not to be reproduced without written consent from SMITH DOUGLAS HOMES.

BY: AAP	CH: AW
DATE: 1/28/2025	
FACADE OPT: A	
PLAN ID:	
FND: ALL	ELEV: A
PAGE NO: A3.1	

CEDAR POINTE LOT 11



SECOND FLOOR PLAN

SCALE: 1/8" = 1'-0"

*RADON VENT PROVIDED
PER LOCAL CODE

REFER TO MANUFACTURER'S SPECS.
FOR DRAIN LOCATIONS ON DETAIL
SHEETS D12, D12.1, & D12.2

© SMITH DOUGLAS HOMES 2021

DATE	REVISION	BY



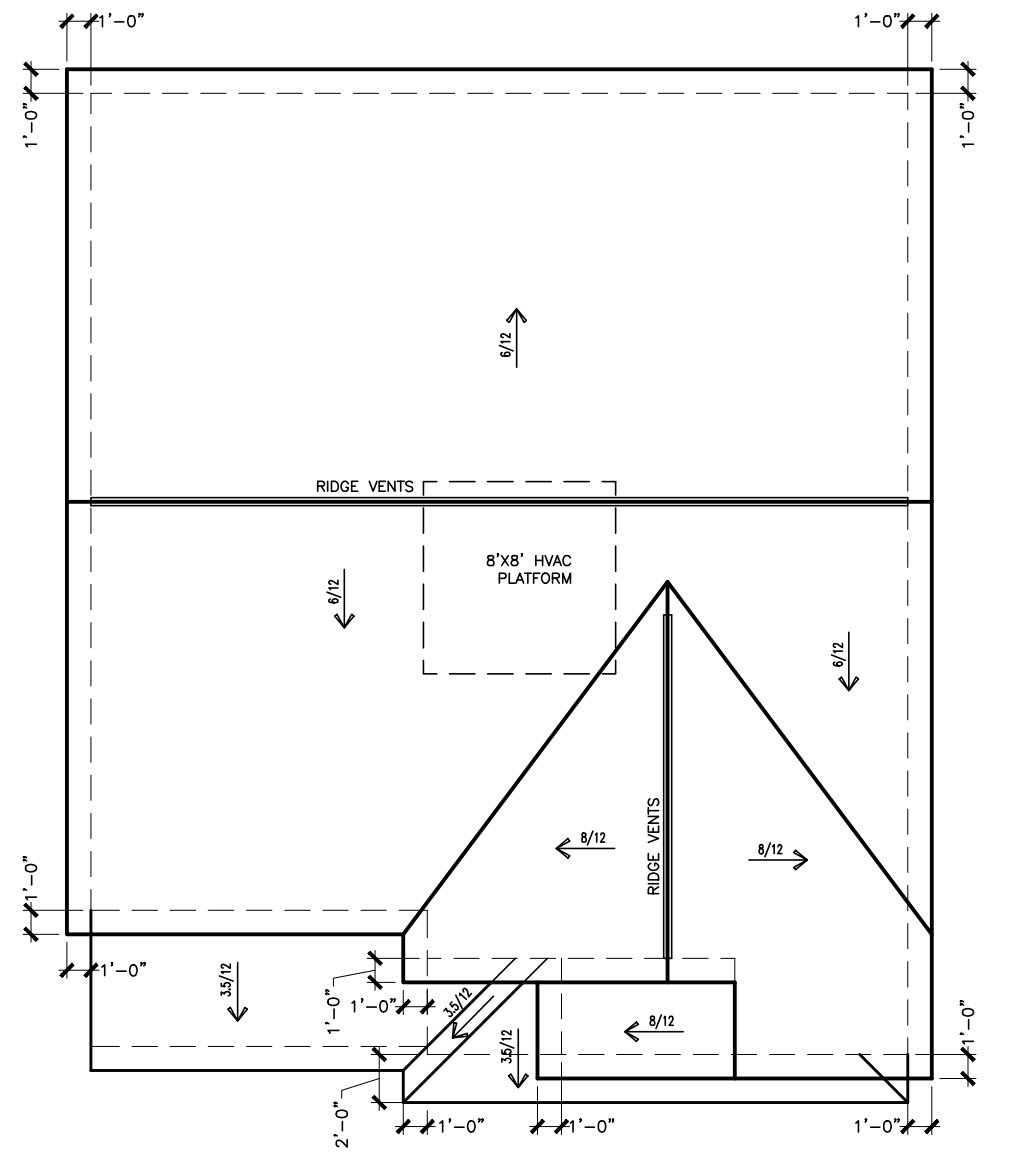
FLOOR PLAN
SECOND FLOOR
COLEMAN

SMITH DOUGLAS HOMES
110 VILLAGE TRAIL
SUITE 115
WOODSTOCK, GA 30188
www.smithdouglas.com

SMITH DOUGLAS HOMES
expressly reserves its
property rights in these
plans and drawings.
These plans and related
drawings are not to be
reproduced without written
consent from SMITH
DOUGLAS HOMES.

BY: AAP	CH: AW
DATE: 1/28/2025	
FACADE OPT: A	
PLAN ID:	
PND: ALL	BLV: A
PAGE NO: A5.2	

CEDAR POINTE LOT 11



ROOF PLAN "A"
SCALE : 1/8" = 1'-0"

DATE	REVISION	BY
#	#	#
#	#	#
#	#	#
#	#	#
#	#	#



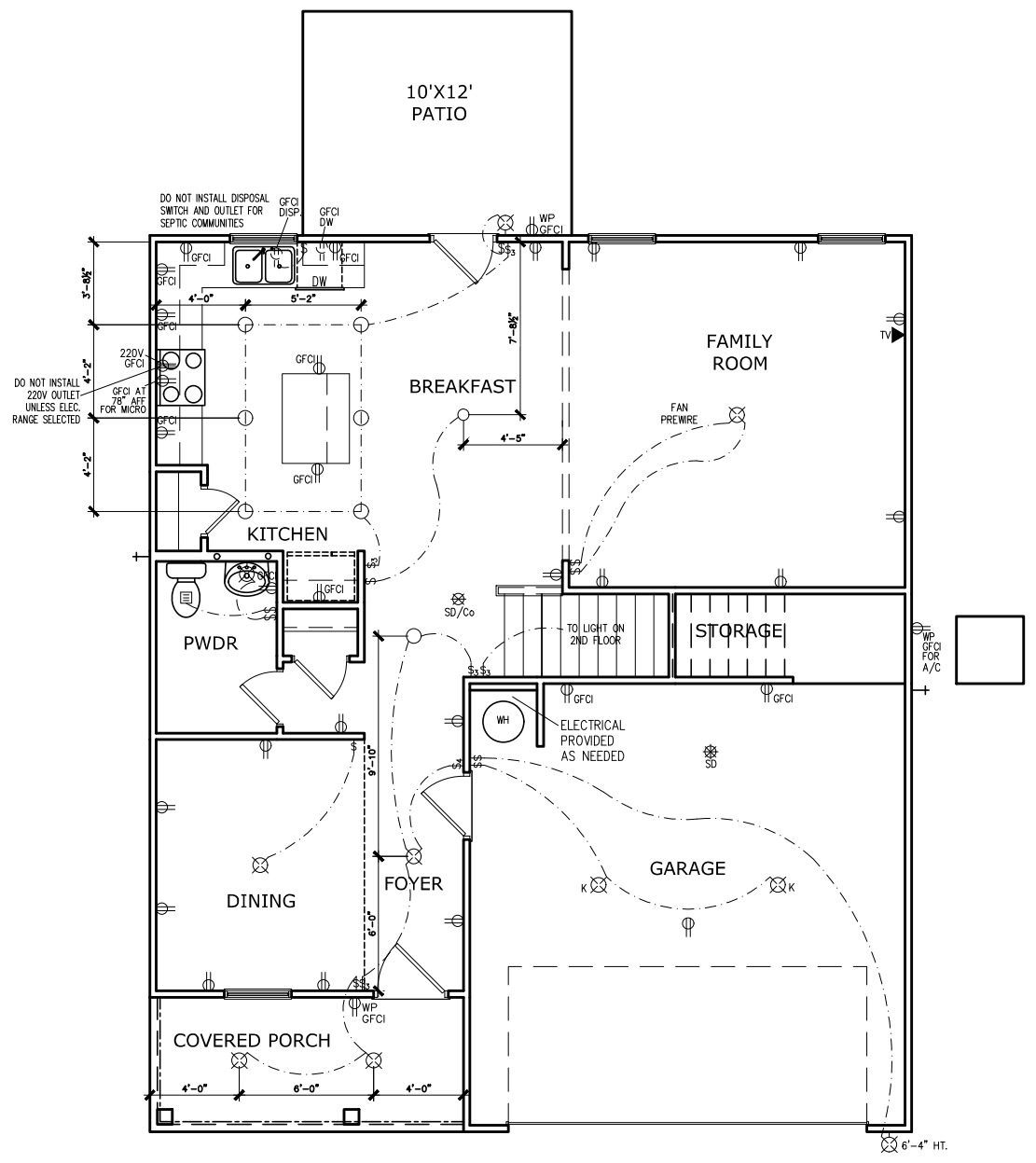
ROOF PLAN
ROOF PLAN
COLEMAN

SMITH DOUGLAS HOMES
110 VILLAGE TRAIL
SUITE 115
WOODSTOCK, GA 30188
www.smithdouglas.com

SMITH DOUGLAS HOMES expressly reserves its property rights in these plans and drawings. These plans and related drawings are not to be reproduced without written consent from SMITH DOUGLAS HOMES.

BY: AAP	CH: AW
DATE: 1/28/2025	
FACADE OPT: A	
PLAN ID:	
FND: ALL	ELEV: A
PAGE NO: A6.1	

CEDAR POINTE LOT 11



ELECTRICAL LEGEND

\$	SWITCH	TV	TV
\$3	3 WAY SWITCH	⊕	120V RECEPTACLE
\$4	4 WAY SWITCH	⊕	120V SWITCHED RECEPTACLE
⊗	CEILING FIXTURE	⊕	220V RECEPTACLE
⊕	KEYLESS	⊕	GFCI OUTLET
⊕	WALL MOUNT FIXTURE	⊕	ARCH FAULT CIRCUIT INTERRUPTER
○	CEILING FIXTURE	†	GAS LINE
●	FLEX CONDUIT	†	WATER LINE
CH	CHIMES	⊥	HOSE BIBB
PH	TELEPHONE	⊕	FLOOD LIGHT
SD/Co	SMOKE DETECTOR & CARBON MONOXIDE	⊕	1x4 LUMINOUS FIXTURE
SO	SECURITY OUTLET	⊕	CEILING FAN
□	GARAGE DOOR OPENER	—	ELECTRICAL WIRING
⊕	EXHAUST FAN	⊕	CEILING FIXTURE
⊕	FAN/LIGHT		

ELECTRICAL PLANS TO FOLLOW ALL LOCAL CODES

APPROX. FIXTURE HGTS (MEASURED FROM BOTTOM OF FIXTURE)

BREAKFAST/DINING ROOM	63" ABOVE FINISHED FLOOR
KITCHEN PENDANT LIGHTS	33" ABOVE COUNTER TOP
TWO STORY FOYER FIXTURE	96" ABOVE FINISHED FLOOR
CEILING FAN	96" ABOVE FINISHED FLOOR
FLOOD LIGHT	10' MAX. ABOVE FIN. FLOOR

NOTE: FINAL PLACEMENT OF
PHONE/CABLE T.B.D. ON SITE
BY THE BUILDER

FIRST FLOOR ELECTRICAL PLAN
SCALE : 1/8" = 1'-0"

BY	REVISION
#	#
#	#
#	#
#	#
#	#
DATE	

SMITH DOUGLAS HOMES
QUALITY | INTEGRITY | VALUE

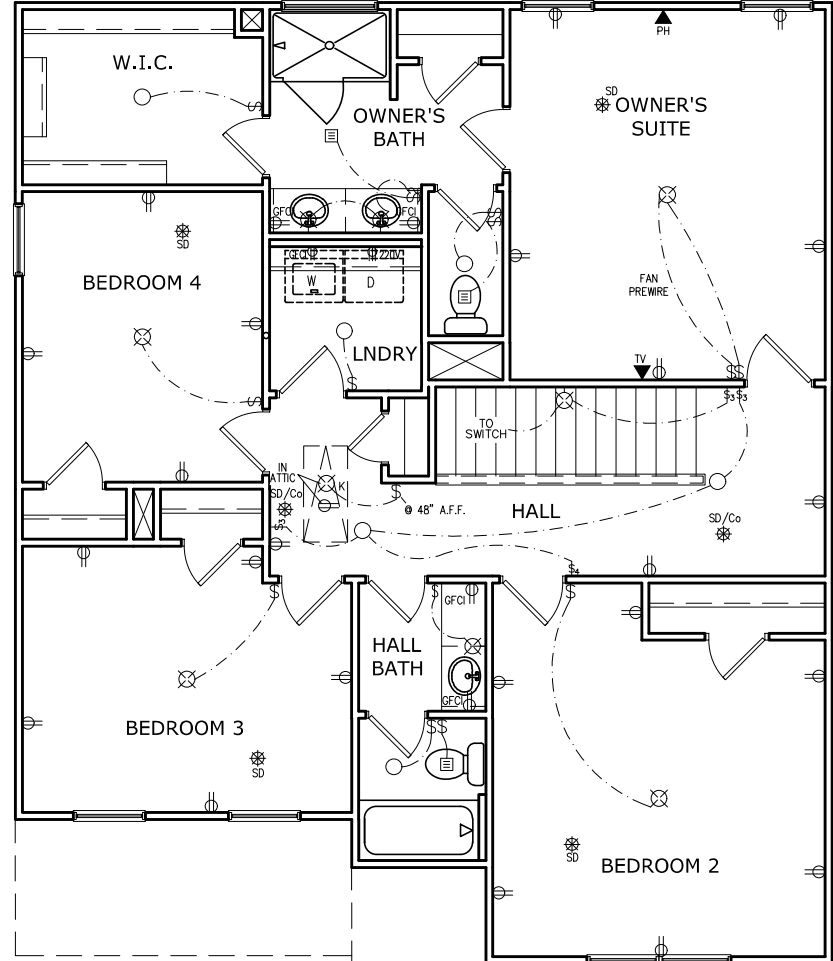
ELECTRICAL PLAN
FIRST FLOOR
COLEMAN

SMITH DOUGLAS HOMES
110 VILLAGE TRAIL
SUITE 115
WOODSTOCK, GA 30188
www.smithdouglas.com

SMITH DOUGLAS HOMES expressly reserves its property rights in these plans and drawings. These plans and related drawings are not to be reproduced without written consent from SMITH DOUGLAS HOMES.

BY: AAP	CH: AW
DATE: 1/28/2025	
FACADE OPT: A	
PLAN ID:	
FND: ALL	BLV: A
PAGE NO: A7.2	

CEDAR POINTE LOT 11



ELECTRICAL LEGEND			
\$	SWITCH	TV	TV
\$3	3 WAY SWITCH	⊕	120V RECEPTACLE
\$4	4 WAY SWITCH	⊕	120V SWITCHED RECEPTACLE
⊗	CEILING FIXTURE	⊕	220V RECEPTACLE
⊕	KEYLESS	⊕	GFCI OUTLET
⊗	WALL MOUNT FIXTURE	⊕	ARCH FAULT CIRCUIT INTERRUPTER
○	CEILING FIXTURE	+GL	GAS LINE
●	FLEX CONDUIT	+WL	WATER LINE
[CH]	CHIMES	⊥	HOSE BIBB
PH	TELEPHONE	⊕	FLOOD LIGHT
SD/Co	SMOKE DETECTOR & CARBON MONOXIDE	⊕	1x4 LUMINOUS FIXTURE
[SO]	SECURITY OUTLET	⊗	CEILING FAN
□	GARAGE DOOR OPENER	—	ELECTRICAL WIRING
⊕	EXHAUST FAN	⊕	CEILING FIXTURE
⊕	FAN/LIGHT		
ELECTRICAL PLANS TO FOLLOW ALL LOCAL CODES			
APPROX. FIXTURE HGTS (MEASURED FROM BOTTOM OF FIXTURE)			
BREAKFAST/DINING ROOM	63" ABOVE FINISHED FLOOR		
KITCHEN PENDANT LIGHTS	33" ABOVE COUNTER TOP		
TWO STORY FOYER FIXTURE	96" ABOVE FINISHED FLOOR		
CEILING FAN	96" ABOVE FINISHED FLOOR		
FLOOD LIGHT	10' MAX. ABOVE FIN. FLOOR		

NOTE: FINAL PLACEMENT OF
PHONE/CABLE T.B.D. ON SITE
BY THE BUILDER

SECOND FLOOR ELECTRICAL PLAN
SCALE: 1/8" = 1'-0"

DATE	REVISION	BY



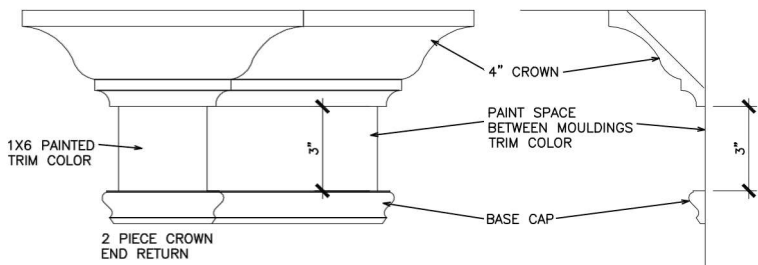
ELECTRICAL PLAN
SECOND FLOOR
COLEMAN

SMITH DOUGLAS HOMES
110 VILLAGE TRAIL
SUITE 115
WOODSTOCK, GA 30188
www.smithdouglas.com

SMITH DOUGLAS HOMES expressly reserves its property rights in these plans and drawings. These plans and related drawings are not to be reproduced without written consent from SMITH DOUGLAS HOMES.

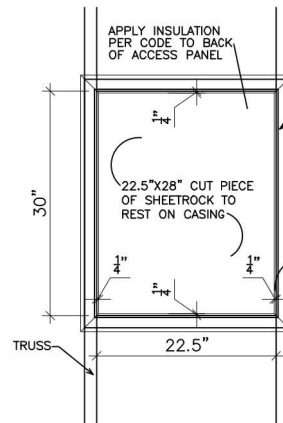
BY:	CH:
DATE:	AW
1/28/2025	
FACADE OPT:	
A	
PLAN ID:	
FND:	BLV:
ALL	A
PAGE NO:	
A7.3	

REFER TO LOT SPECIFIC PLAN TO DETERMINE WHICH DETAILS APPLY



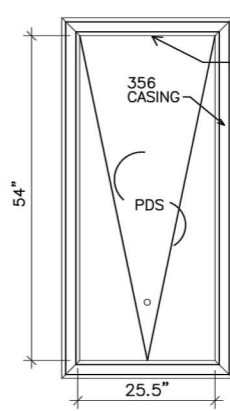
TYPICAL TWO PIECE CROWN

N.T.S.



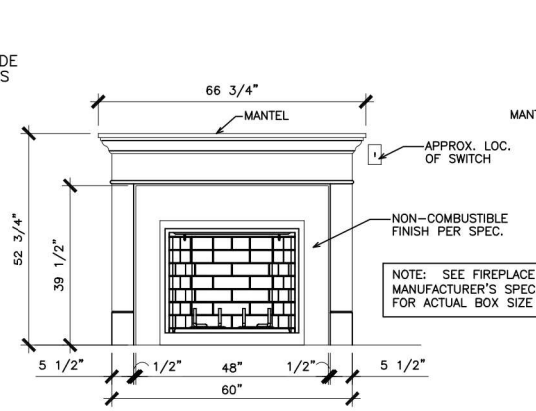
SCUTTLE HOLE DETAIL

N.T.S.



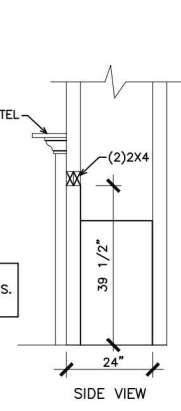
PDS TRIM DETAIL

N.T.S.



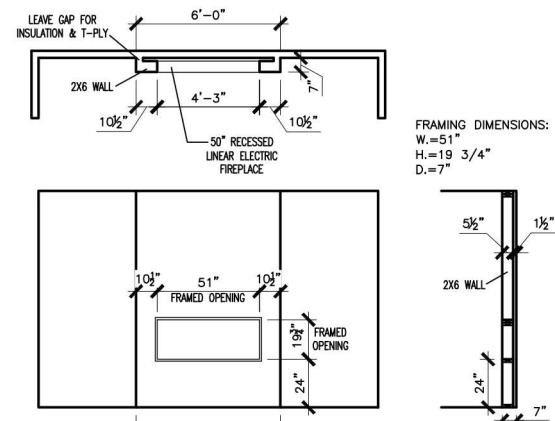
GAS/ELECTRIC FIREPLACE DETAIL WITH WESCOTT WOOD MANTEL

N.T.S.



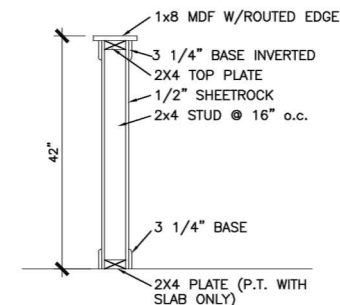
SIDE VIEW

N.T.S.



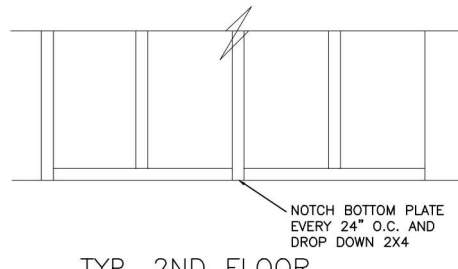
LINEAR ELECTRIC FIREPLACE DETAIL

N.T.S.



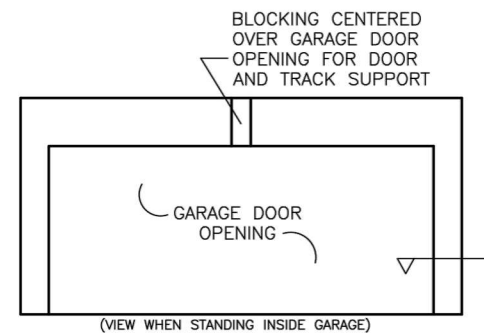
TYP. KNEEWALL SECTION

N.T.S.



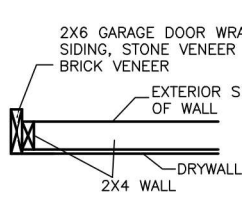
TYP. 2ND FLOOR KNEEWALL STABILITY

N.T.S.



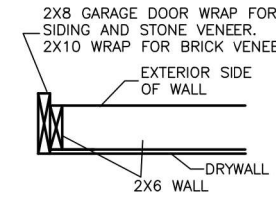
TYP. GARAGE WRAP & BLOCKING

N.T.S.



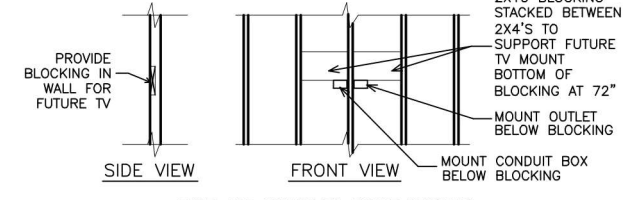
SECTION VIEW 2X4 PORTAL WALL

N.T.S.



SECTION VIEWS 2X6 PORTAL WALL

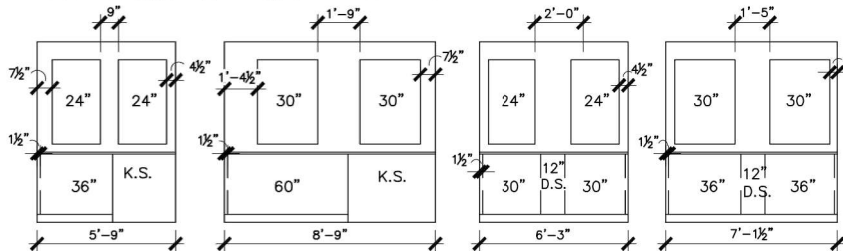
N.T.S.



TYP. TV WALL PREP

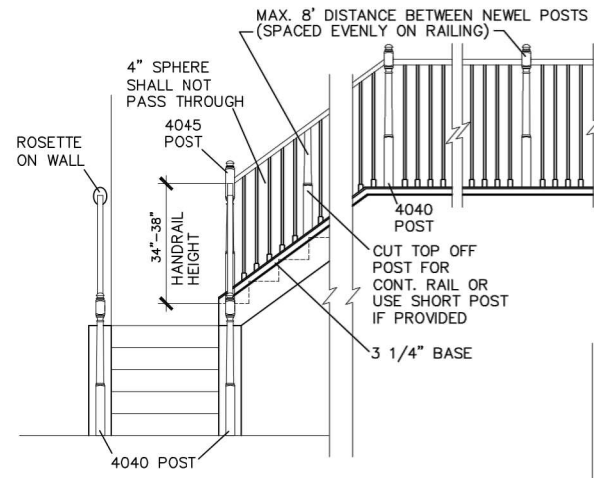
N.T.S.

- MIRRORS ARE TO BE CENTERED ON THE CABINET OR KNEESPACE BELOW.
- SPACE BETWEEN MIRROR AND WALL/CABINET END, MAY NOT MATCH ON EACH SIDE
- MIRRORS ARE LIMITED TO 2 SIZES: 24" & 30"
 - VANITIES 30" & SMALLER RECEIVE THE 24" WIDE MIRROR.
 - VANITIES 33" & LARGER RECEIVE THE 30" WIDE MIRROR.
 - HEIGHTS DO NOT CHANGE.
 - SEE P.O. FOR EXACT WIDTH.
- SEE THE BELOW EXAMPLE DRAWINGS. DIMENSIONS ARE APPROXIMATE.



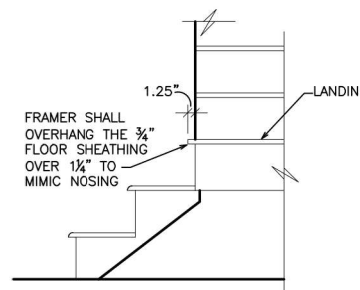
TYPICAL SPLIT MIRROR SCENARIOS

N.T.S.



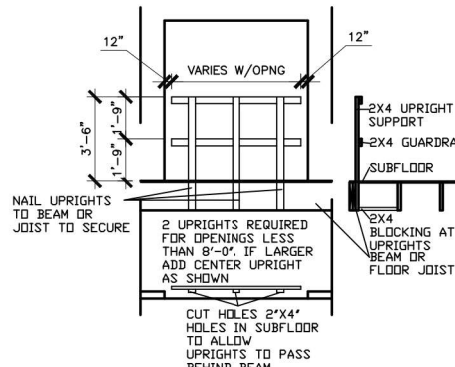
HANDRAIL/POST DETAIL @ STAIRS

N.T.S.



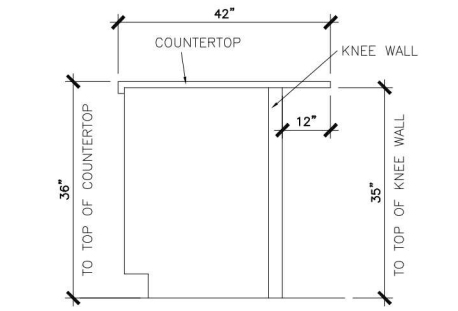
BOX STEP OVERHANG

N.T.S.



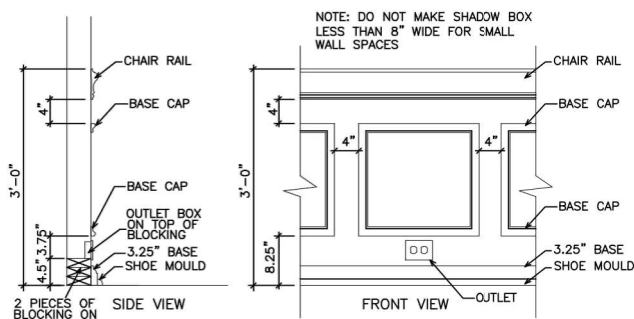
GUARD RAIL DTL. AS REQ'D

N.T.S.



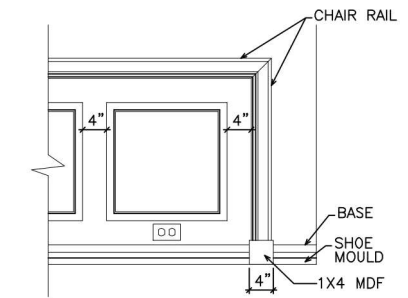
SECTION @ ISLAND KNEEWALL

N.T.S.



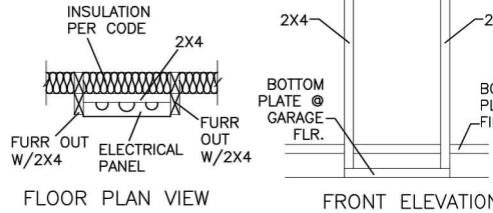
TYPICAL CHAIR RAIL & SHADOW BOX DETAIL

N.T.S.



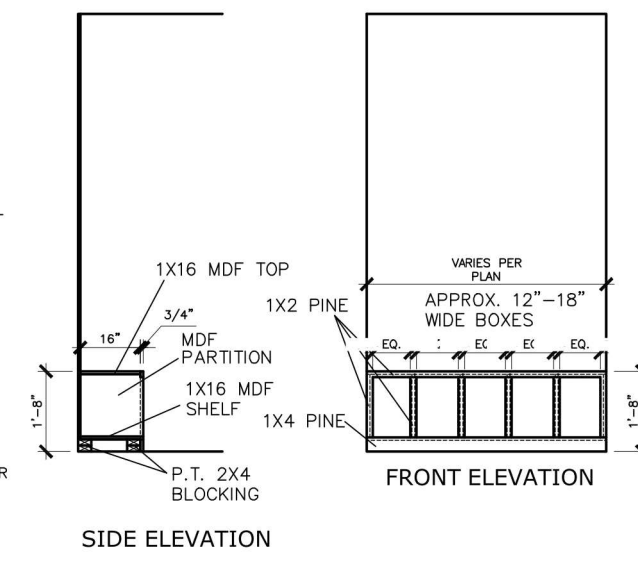
CHAIR RAIL END TRIM DETAIL

N.T.S.



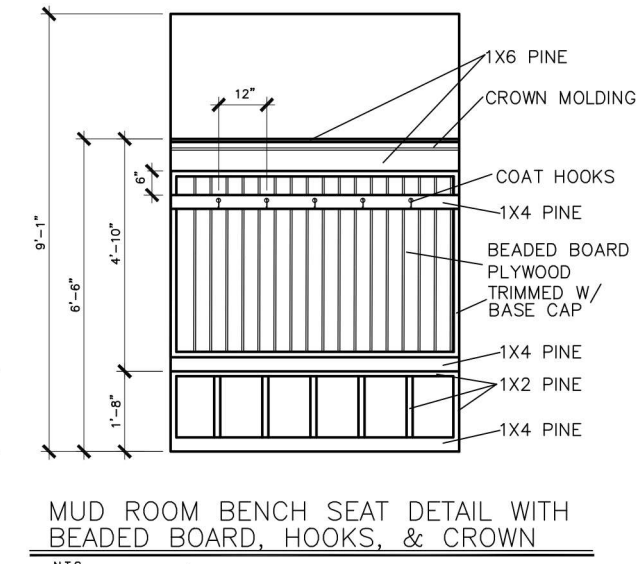
ELECTRICAL PANEL DETAIL

N.T.S.



MUD ROOM BENCH SEAT DETAIL

N.T.S.



MUD ROOM BENCH SEAT DETAIL WITH BEADED BOARD, HOOKS, & CROWN

N.T.S.

(IF TRIM CHOSEN WITHOUT BENCH CONTINUE TO FLOOR)

© SMITH DOUGLAS HOMES 2023

BY	REVISION	DATE

SMITH DOUGLAS HOMES
QUALITY | INTEGRITY | VALUE

INTERIOR TRIM DETAILS

SMITH DOUGLAS HOMES
110 VILLAGE TRAIL
SUITE 215
WOODSTOCK, GA 30188
www.smithdouglas.com

SMITH DOUGLAS HOMES expressly reserves its property rights in these plans and drawings. These plans and related drawings are not to be reproduced without written consent from SMITH DOUGLAS HOMES.

BY:	CH:
DATE:	6/13/23
PROJECT:	
PLAN ID:	
FND:	ELEV:
PAGE NO.:	D1.1

Mulhern+Kulp project number:
256-21006

project mgr: **SMK**
 drawn by: **MJF**
 issue date: **10-21-2021**

REVISIONS:

date:	initial:
12/10/21	JPP
REVISIONS ADDED	

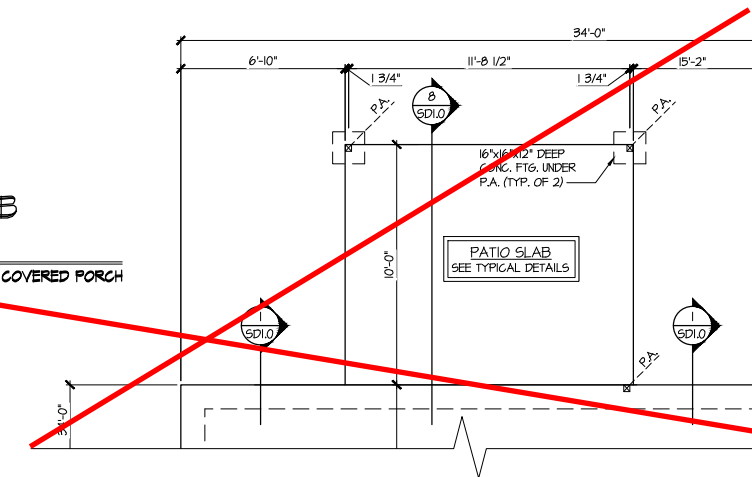
SMITH DOUGLAS
 HOMES

**Cedar Pointe
 Lot 11**

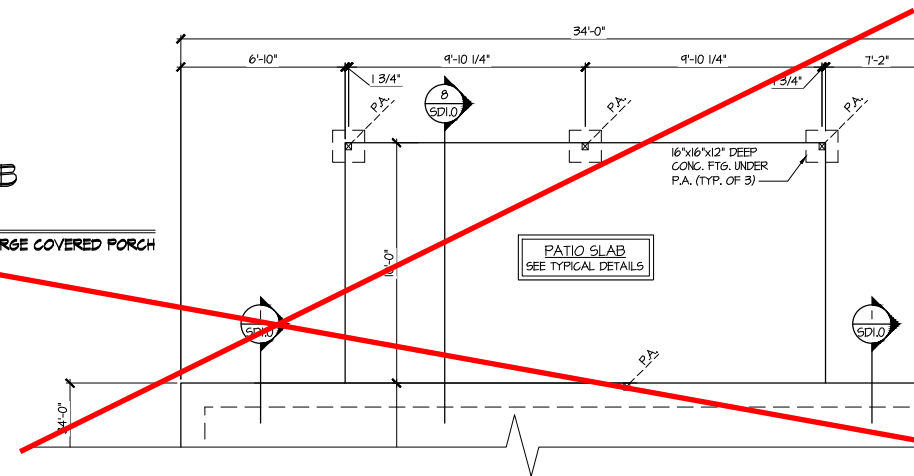
REFER TO S.O. FOR TYPICAL
 STRUCTURAL NOTES & SCHEDULES

MONO-SLAB FOUNDATION
 COLEMAN MODEL
 120 MPH WIND ZONE
 NORTH CAROLINA

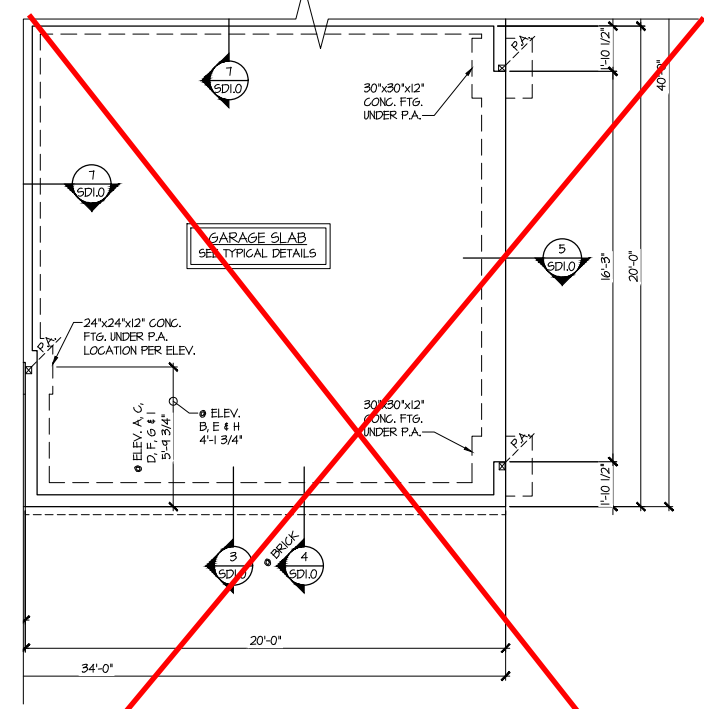
3 PARTIAL MONO-SLAB FOUNDATION PLAN
 SCALE: 1/4"=1'-0" ON 22x34
 1/8"=1'-0" ON 11x17
 OPT. COVERED PORCH



4 PARTIAL MONO-SLAB FOUNDATION PLAN
 SCALE: 1/4"=1'-0" ON 22x34
 1/8"=1'-0" ON 11x17
 OPT. LARGE COVERED PORCH

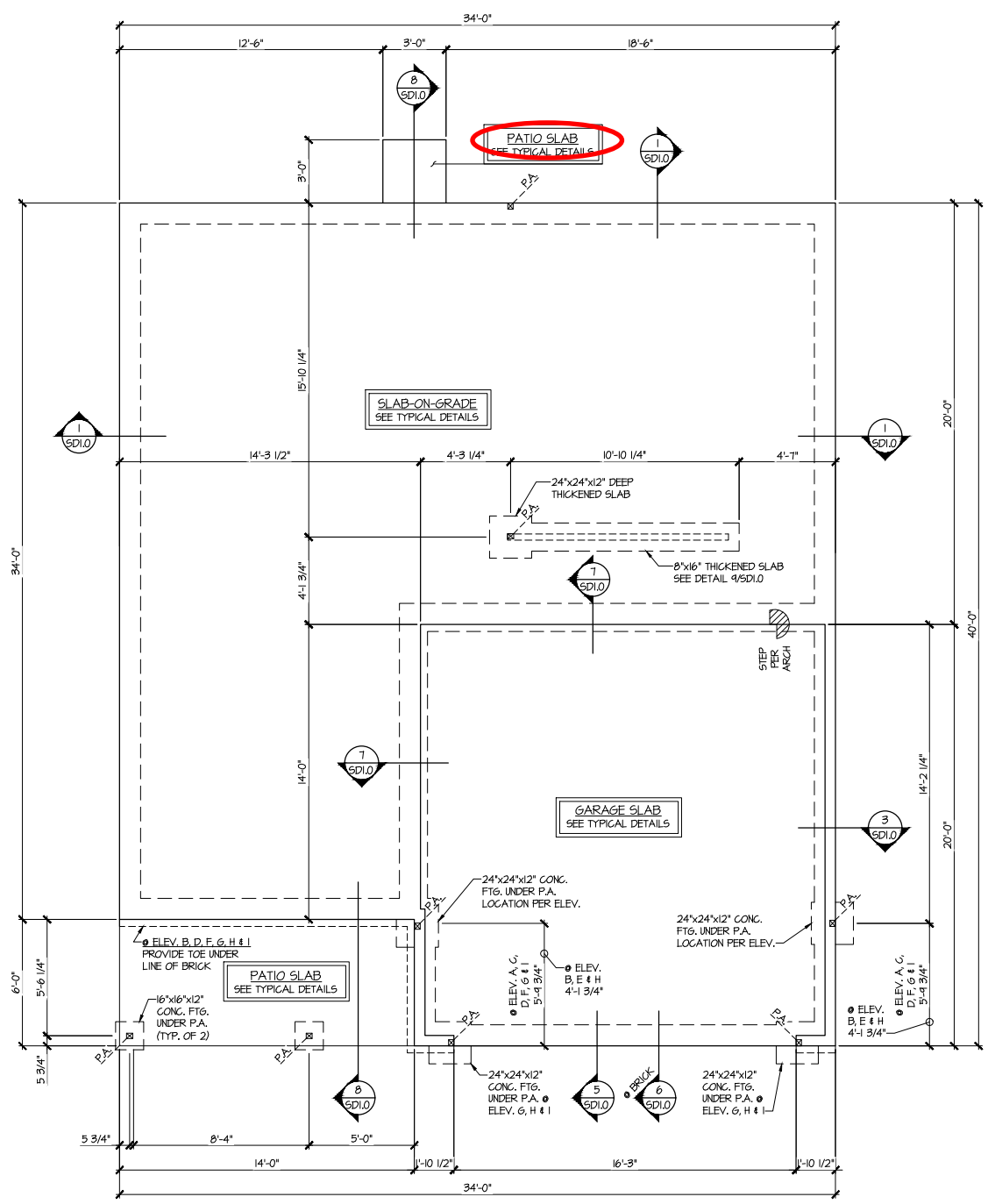


2 PARTIAL MONO-SLAB FOUNDATION PLAN
 SCALE: 1/4"=1'-0" ON 22x34
 1/8"=1'-0" ON 11x17
 OPT. SIDE ENTRY GARAGE

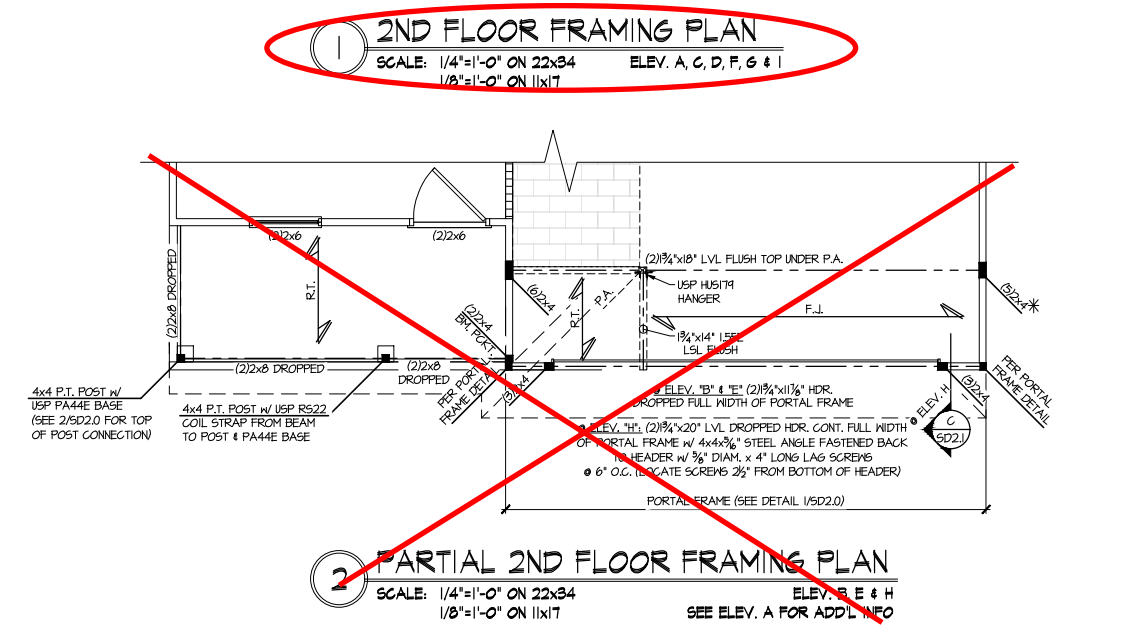
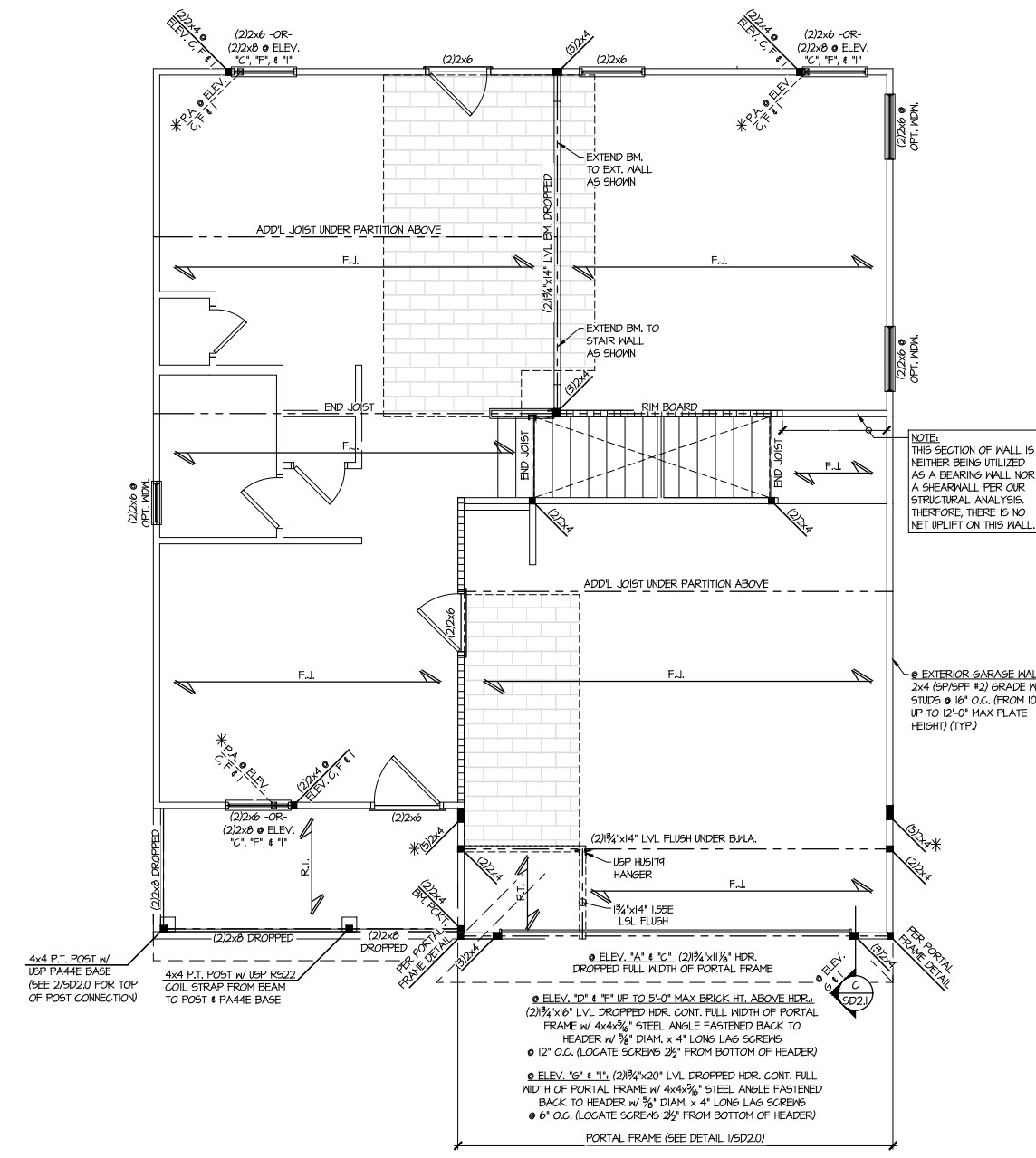


LEGEND

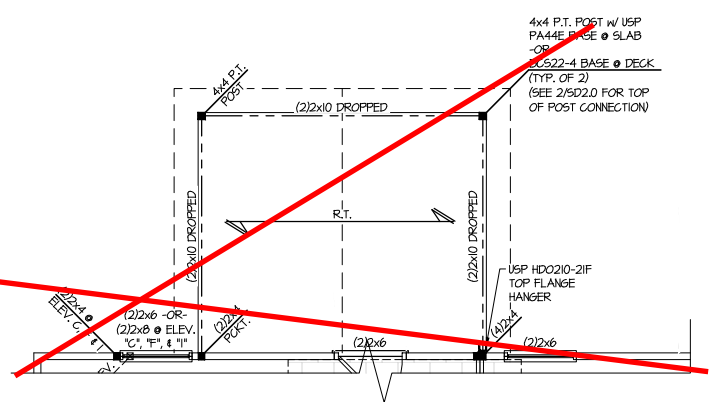
- R.T. INDICATES ROOF TRUSSES @ 24" O.C. PER ROOF. MANIF. (TYP. UNO.)
- O.F. INDICATES TRUSS OVERFRAMING @ 24" O.C. (TYP. UNO.)
- F.J. INDICATES 14" DEEP FLOOR I-JOISTS (24" O.C. MAX SPACING). JOIST SERIES AND SPACING SHALL BE THE RESPONSIBILITY OF THE JOIST MANUFACTURER
- D.J. INDICATES 2x8 P.T. DECK JOISTS @ 16" O.C. (MAX.)
- [Symbol] INDICATES LOCATIONS OF POTENTIAL TILE FLOOR. JOIST MANUFACTURER SHALL DESIGN FLOOR SYSTEM FOR ADD'L 10 PSF DEAD LOAD AT THESE LOCATIONS.
- [Symbol] INTERIOR BEARING WALL
- [Symbol] BEARING WALL ABOVE (B.W.A.)
- [Symbol] BEAM/HEADER
- J.L. METAL HANGER
- * INDICATES POST ABOVE (P.A.) PROVIDE SOLID BLOCKING UNDER POST OR JAMB ABOVE.



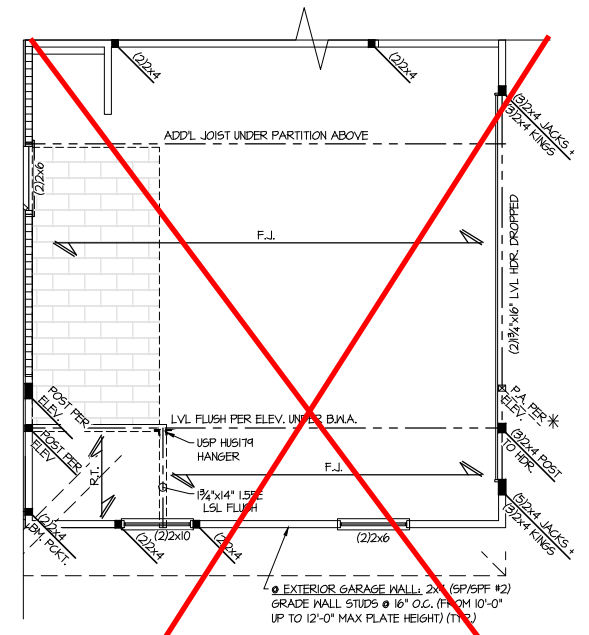
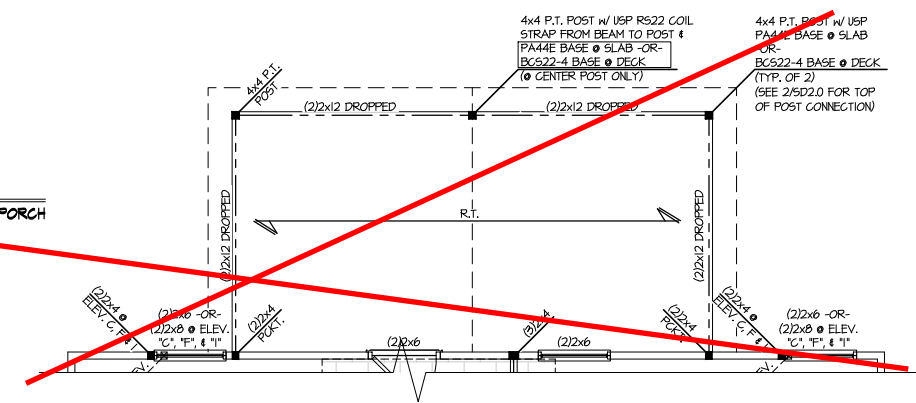
1 MONO-SLAB FOUNDATION PLAN
 SCALE: 1/4"=1'-0" ON 22x34
 1/8"=1'-0" ON 11x17
 ALL ELEV. SIM.



PARTIAL 2ND FLOOR FRAMING PLAN
 SCALE: 1/4"=1'-0" ON 22x34 OPT. COVERED PORCH
 1/8"=1'-0" ON 11x17



PARTIAL 2ND FLOOR FRAMING PLAN
 SCALE: 1/4"=1'-0" ON 22x34 OPT. LARGE COVERED PORCH
 1/8"=1'-0" ON 11x17



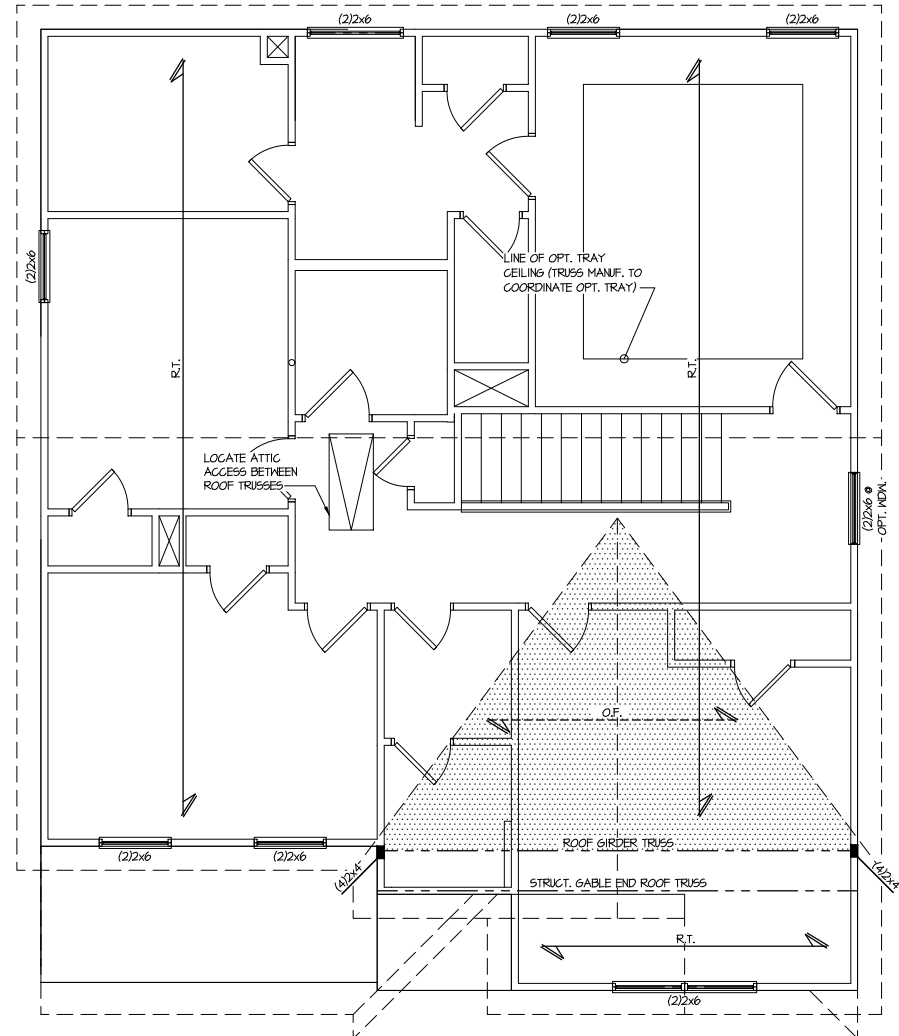
Cedar Pointe Lot 11

THIS LEVEL HAS BEEN DESIGNED FOR 9'-1" PLATE HEIGHT

REFER TO S0.0 FOR TYPICAL STRUCTURAL NOTES & SCHEDULES

LEGEND

- R.T. INDICATES ROOF TRUSSES @ 24" O.C. PER ROOF. MANIF. (TYP. UNO.)
- O.F. INDICATES TRUSS OVERFRAMING @ 24" O.C. (TYP. UNO.)
- F.J. INDICATES 14" DEEP FLOOR I-JOISTS (24" O.C. MAX SPACING). JOIST SERIES AND SPACING SHALL BE THE RESPONSIBILITY OF THE JOIST MANUFACTURER
- D.J. INDICATES 2x8 P.T. DECK JOISTS @ 16" O.C. (MAX)
- INDICATES LOCATIONS OF POTENTIAL TILE FLOOR. JOIST MANUFACTURER SHALL DESIGN FLOOR SYSTEM FOR ADD'L 10 PSF DEAD LOAD AT THESE LOCATIONS.
- INTERIOR BEARING WALL
- BEARING WALL ABOVE (B.W.A.)
- BEAM/HEADER
- JL METAL HANGER
- * INDICATES POST ABOVE (P.A.) PROVIDE SOLID BLOCKING UNDER POST OR JAMB ABOVE.



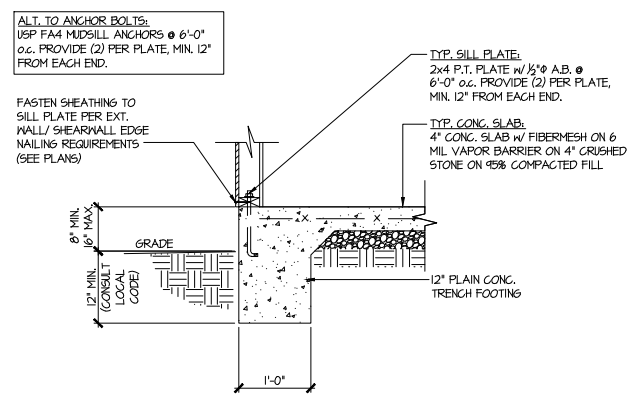
**Cedar Pointe
 Lot 11**

THIS LEVEL HAS BEEN DESIGNED FOR 9'-1" PLATE HEIGHT

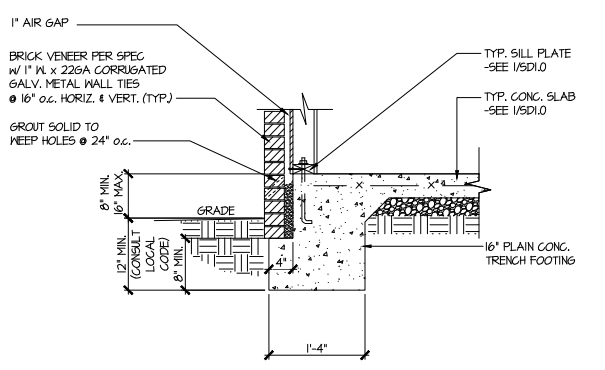
REFER TO S0.0 FOR TYPICAL STRUCTURAL NOTES & SCHEDULES

ROOF FRAMING PLAN
 SCALE: 1/4"=1'-0" ON 22x34 ELEV. A, D & G
 1/8"=1'-0" ON 11x17

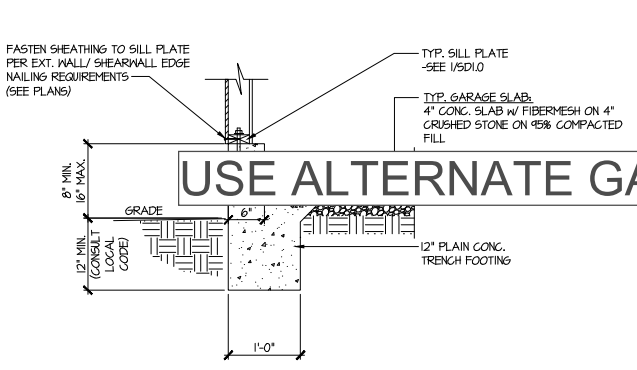
LEGEND	
• R.T.	INDICATES ROOF TRUSSES @ 24" O.C. PER ROOF MANIF. (TYP. U.N.O.)
• OF	INDICATES TRUSS OVERFRAMING @ 24" O.C. (TYP. U.N.O.)
• F.J.	INDICATES 14" DEEP FLOOR I-JOISTS (24" O.C. MAX SPACING). JOIST SERIES AND SPACING SHALL BE THE RESPONSIBILITY OF THE JOIST MANUFACTURER
• D.J.	INDICATES 2x8 P.T. DECK JOISTS @ 16" O.C. (MAX.)
• [Symbol]	INDICATES LOCATIONS OF POTENTIAL TILE FLOOR. JOIST MANUFACTURER SHALL DESIGN FLOOR SYSTEM FOR ADD'L 10 PSF DEAD LOAD AT THESE LOCATIONS.
• [Symbol]	INTERIOR BEARING WALL
• [Symbol]	BEARING WALL ABOVE (B.W.A.)
• [Symbol]	BEAM/HEADER
• JL	METAL HANGER
• *	INDICATES POST ABOVE (P.A.) PROVIDE SOLID BLOCKING UNDER POST OR JAMB ABOVE.



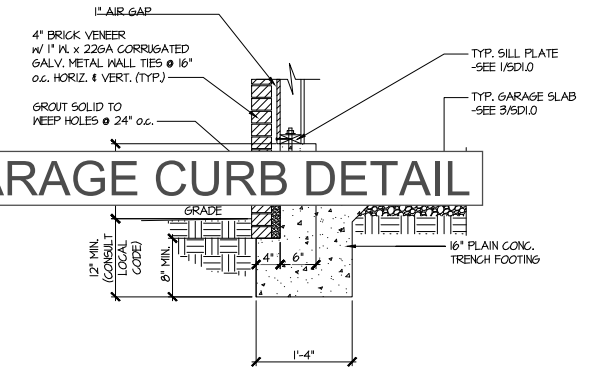
1 TYPICAL SLAB ON GRADE PERIMETER FOOTING



2 TYPICAL SLAB ON GRADE PERIMETER FOOTING w/ BRICK VENEER

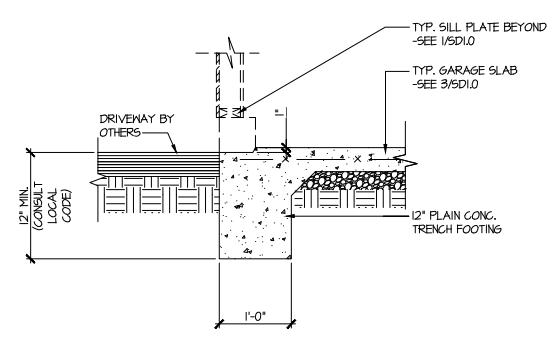


3 TYPICAL SLAB ON GRADE GARAGE PERIMETER FOOTING

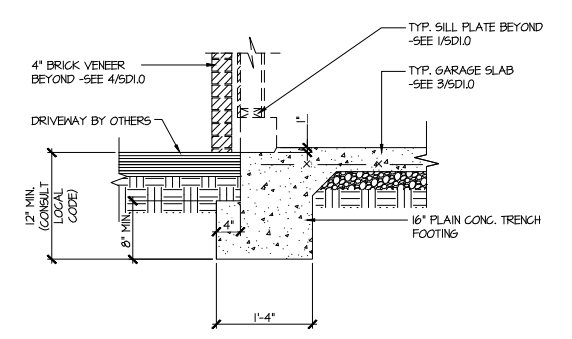


4 TYPICAL SLAB ON GRADE GARAGE PERIMETER FOOTING w/ BRICK VENEER

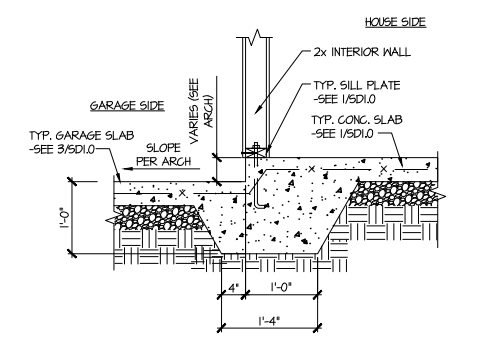
USE ALTERNATE GARAGE CURB DETAIL



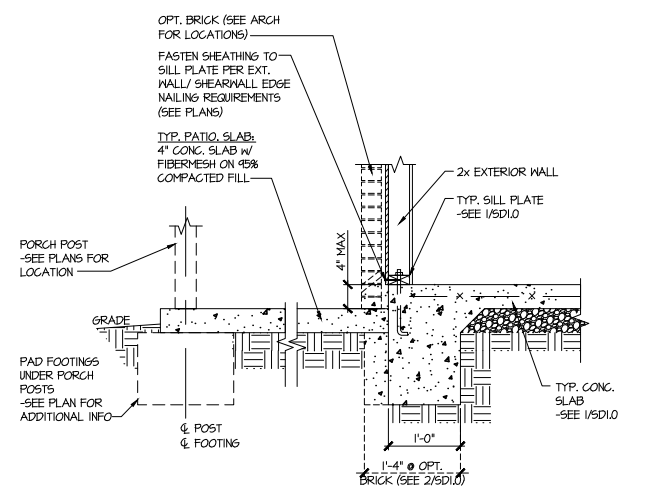
5 TYPICAL SLAB ON GRADE GARAGE ENTRY @ PERIMETER FOOTING



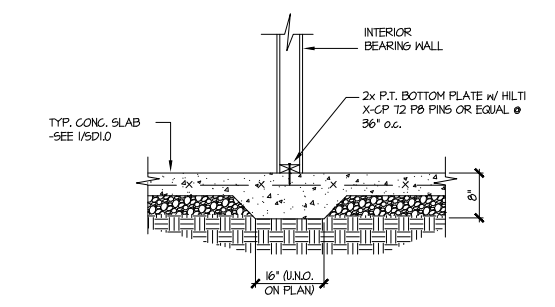
6 TYPICAL SLAB ON GRADE GARAGE ENTRY @ PERIMETER FOOTING w/ BRICK VENEER



7 TYPICAL MONOLITHIC INTERIOR GARAGE FOOTING



8 TYPICAL SLAB ON GRADE PERIMETER FOOTING @ PORCH/PATIO



9 TYPICAL THICKENED SLAB @ INTERIOR BEARING WALL

MULHERN+KULP
 RESIDENTIAL STRUCTURAL ENGINEERING
 3825 Shawnee Parkway, Suite 105 - Alpharetta, GA 30022
 770-777-8974 - mulhern+kulp.com
 NC License # C-3825

Mulhern+Kulp project number:
 256-21006

project mgr: SMK
 drawn by: MJF
 issue date: 10-21-2021

REVISIONS:

date:	initial:
12/10/21	JPP
REQUIRED PLANS ADDED	

SMITH DOUGLAS
 HOMES

FOUNDATION DETAILS
 COLEMAN MODEL
 120 MPH WIND ZONE
 NORTH CAROLINA

Cedar Pointe
 Lot 11

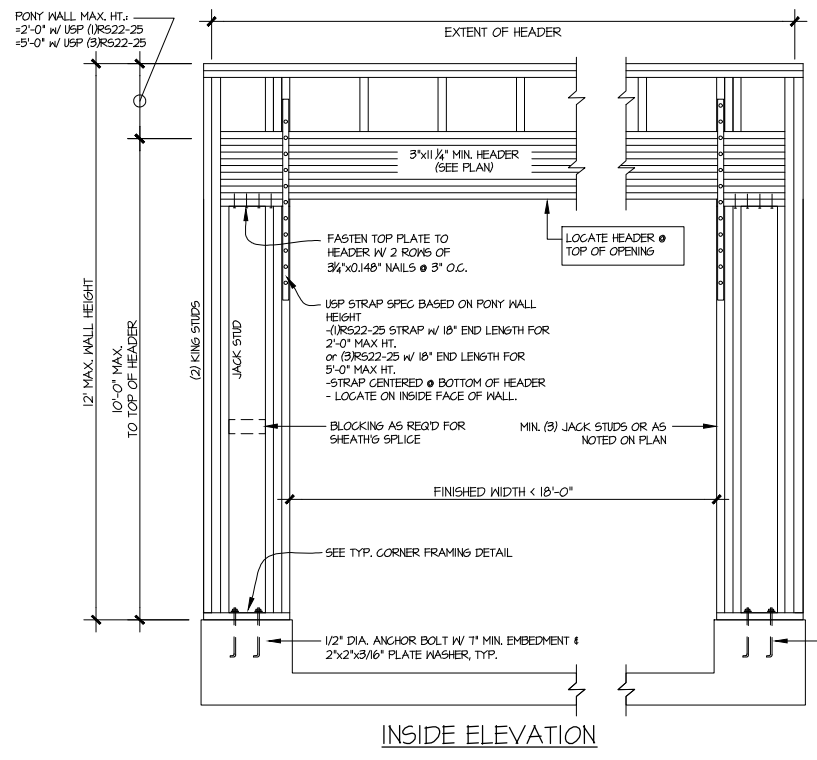
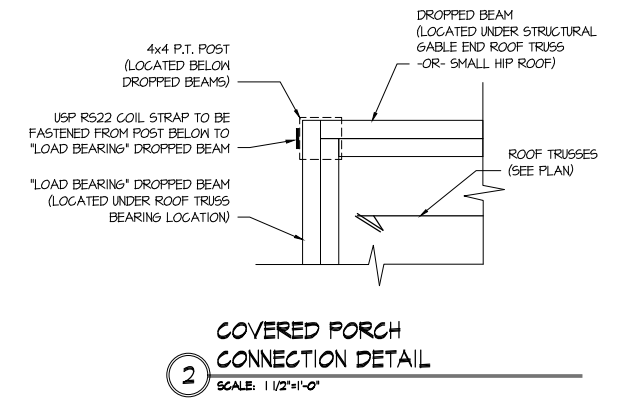
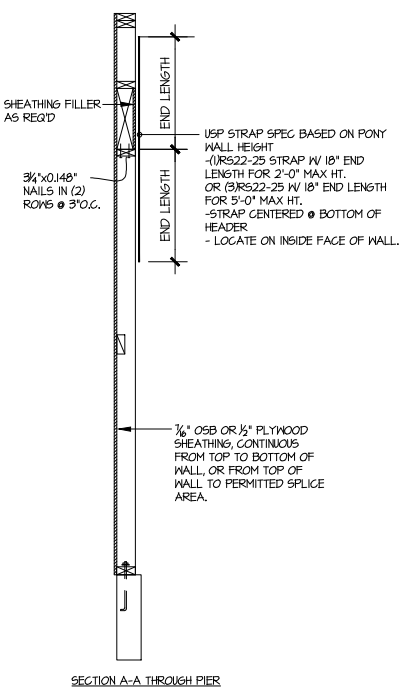
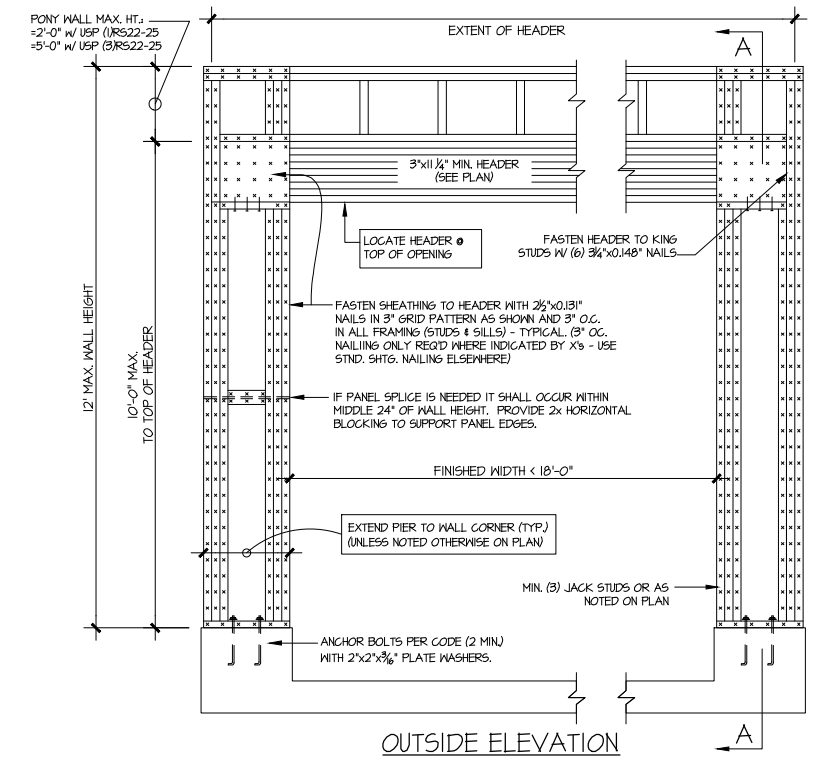
sheet:
SD1.0

Mulhern+Kulp project number:	256-21006
project mgr:	SMK
drawn by:	MJF
issue date:	10-21-2021
REVISIONS:	
date:	initial:
12/10/21	JPP
ISSUED PLANS ADDED	

SMITH DOUGLAS
 HOMES

FRAMING DETAILS
 COLEMAN MODEL
 120 MPH WIND ZONE
 NORTH CAROLINA

sheet:
SD2.0



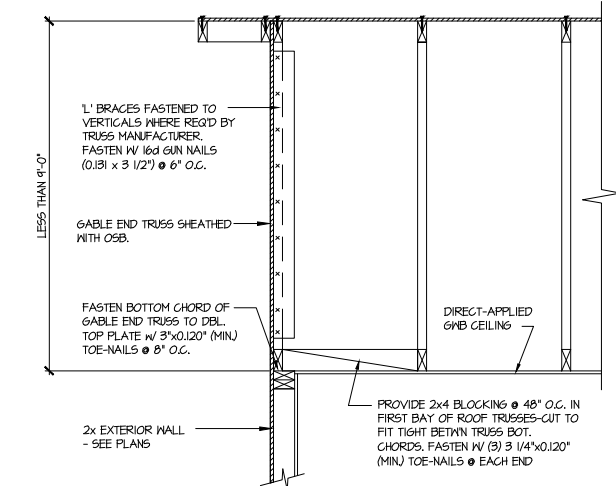
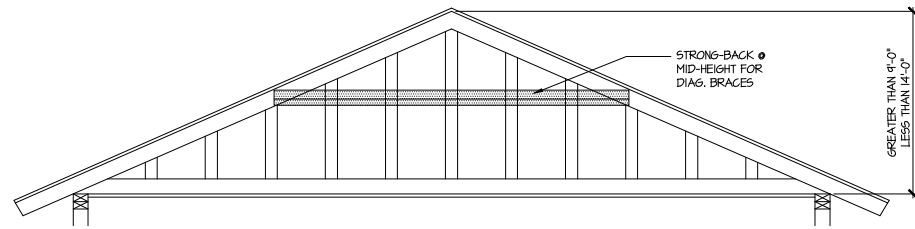
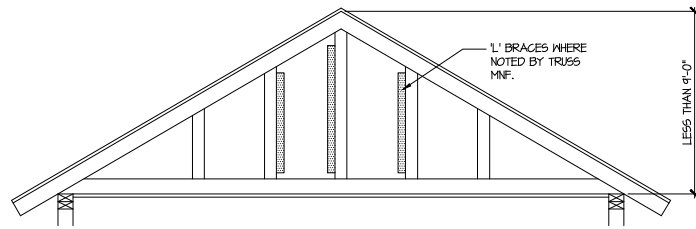
NOTE: ALL SHEATHABLE AREAS OF EXTERIOR WALL SHALL BE FULLY SHEATHED WITH 1/2" PLYWOOD OR 3/8" OSB

WALL FRAMING SPECIFICATION:
 2x4 WALL: USE SPF #2 GRADE STUDS (OR BETTER)
 2x6 WALL: USE SPF #2 GRADE STUDS (OR BETTER)

ALTERNATIVES TO 1/2" DIA. ANCHOR BOLT:
 1) 1/2" DIA. THREADED ROD EPOXY SET W/ 4 1/2" EMB. (MIN UTILIZING HILTI HY200 EPOXY ANCHORING SYSTEM (OR EQUAL))

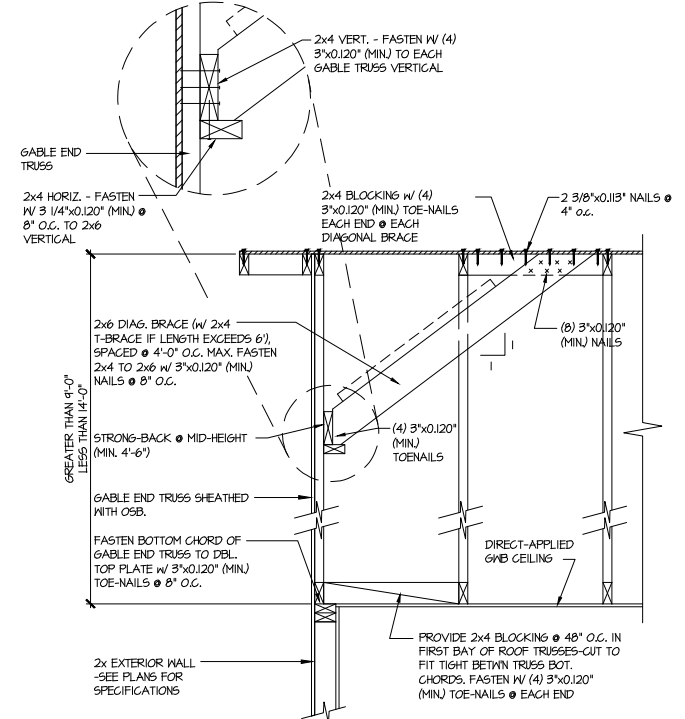
GARAGE PORTAL FRAME BRACING ELEVATION
 SCALE: N.T.S. BOTH SIDES OF GARAGE DOOR 120 MPH WIND SPEED (ULT)

Cedar Pointe
 Lot 11



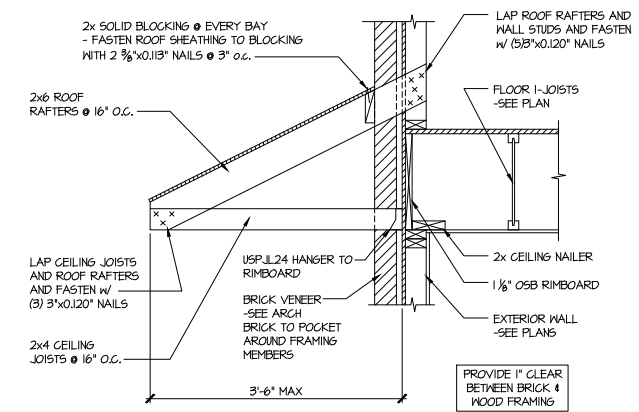
A TYPICAL GABLE END BRACING DETAIL
 SCALE: NONE
 REQ'D • GABLE END TRUSS
 HEIGHT UP TO 9'-0"

BRACE GABLE END TRUSSES PER ABOVE DETAIL WHEN GABLE HEIGHT IS LESS THAN 9'-0". 1" BRACES REQUIRED WHERE NOTED BY TRUSS MANUFACTURER.



B TYPICAL GABLE END BRACING DETAIL
 SCALE: NONE
 REQ'D • GABLE END TRUSS
 HEIGHT BETWEEN 9'-0" TO 14'-0"

BRACE GABLE END TRUSSES PER ABOVE DETAIL WHEN GABLE HEIGHT EXCEEDS 9'-0". 1" BRACES NOT REQUIRED.



C DETAIL @ PENT ROOF
 SCALE: 3/4"=1'-0"

LETTERED DETAILS ARE TYPICAL FOR THIS HOME & SHALL BE IMPLEMENTED IN ALL APPLICABLE AREAS. THESE DETAILS ARE NOT "CUT" ON THE PLANS.

NUMBERED DETAILS ARE PLAN SPECIFIC AND ARE ONLY REQUIRED WHERE SPECIFICALLY INDICATED ("CUT") ON THE PLANS.

MULHERN+KULP
 RESIDENTIAL STRUCTURAL ENGINEERING
 3025 Sandhills Parkway, Suite 205 - Alpharetta, GA 30022
 770-777-8974 • mulhern+kulp.com
 NC License # C-3825

Mulhern+Kulp project number:
256-21006

project mgr: **SMK**
 drawn by: **MJF**
 issue date: **10-21-2021**

REVISIONS:

date:	initial:
12/10/21	JPP
IMPROVED PLANS ADDED	

SMITH DOUGLAS
 HOMES

FRAMING DETAILS

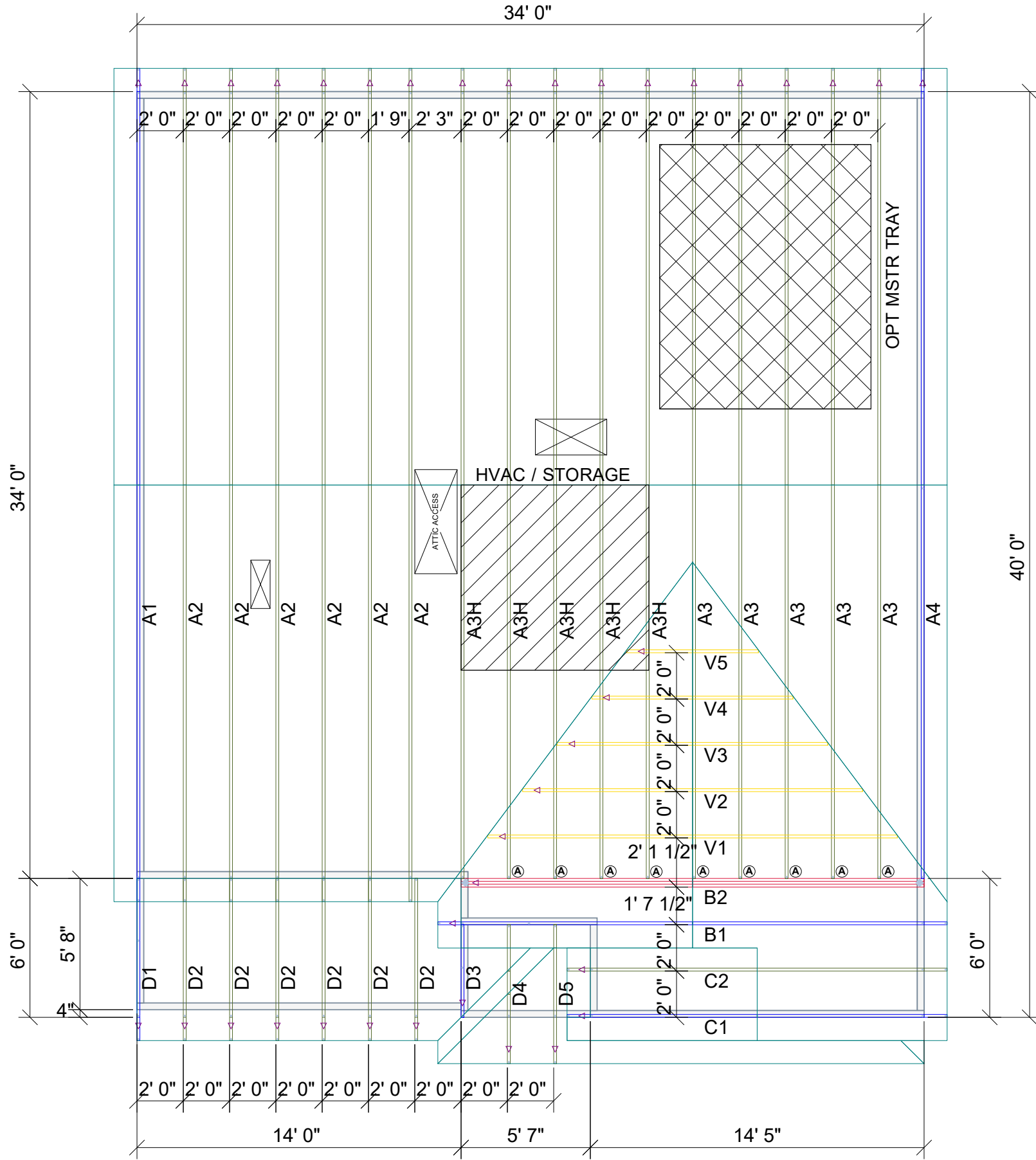
COLEMAN MODEL

120 MPH WIND ZONE
 NORTH CAROLINA

Cedar Pointe
 Lot 11

sheet:
SD2.1

THIS IS A TRUSS/COMPONENT PLACEMENT DIAGRAM (TPD) ONLY; NOT AN ENGINEERED DOCUMENT. Trusses are designed as individual building components to be incorporated into the building design at the specification of the building designer. See individual truss design drawings (TDDs) for each truss design identified on the TPD. The building designer is responsible for temporary and permanent bracing of the roof and floor system and for the overall structure. The design of the support structure including but not limited to headers, beams, walls, and columns is also the responsibility of the building designer. For general guidance regarding installation and bracing, consult "Building Component Safety Information" (BCSI) available from the SBC Association (www.sbcassociation.com). It is the responsibility of the General Contractor to verify that the provided component layout matches the final intended construction plans, loading conditions, and use. If they do not, it is the responsibility of the General Contractor to notify UFP and provide plans containing the latest specifications and designs. UFP will not be responsible for plan changes by others after final approval of shop drawings, or for errors or modifications made on-site during construction. DO NOT CUT, NOTCH, DRILL, OR OTHERWISE "REPAIR" MANUFACTURED TRUSSES IN ANY WAY WITHOUT PRIOR WRITTEN AUTHORIZATION BY A LICENSED PROFESSIONAL DESIGNATED BY UFP. The Framing is responsible to verify all dimensions, including adjusting member spacing within tolerances to allow for the drop and rise of plumbing/HVAC, unless noted otherwise. Truss-to-wall connections, if shown, are for uplift only and do not consider lateral loads. All connectors on this project are to be installed per the connector manufacturer's specifications. All connectors shown that are not truss-to-truss are suggestions only and are to be verified by the Building Designer or Engineer of Record for suitability to this particular project. UFP accepts no responsibility for the specific application or suitability of any connector that is not truss-to-truss as they apply to this specific structure.



PLACEMENT PLAN

Roof Hanger List			
MARK	TYPE	DESCRIPTION	QTY
(A)	HUS26	FACE MOUNT HANGER	9

COLEMAN ADG NO TRAY

UFP SITE BUILT
A UFP INDUSTRIES COMPANY

Burlington, NC Locust, NC
Chesapeake, VA Liberty, NC
Clinton, NC Ooltewah, TN
Conway, SC Pearisburg, VA
Jefferson, GA Stanfield, NC

Customer Service (800) 476-9356



This drawing is property of UFP Site Built, LLC. Any unauthorized use of this document without written permission is prohibited. UFP relinquishes ownership of delivered product upon delivery. Owner of product must obtain UFP's authorization prior to any alteration or modification of product. UFP will not be held responsible for any unauthorized modifications done or costs incurred without prior written authorization from UFP.

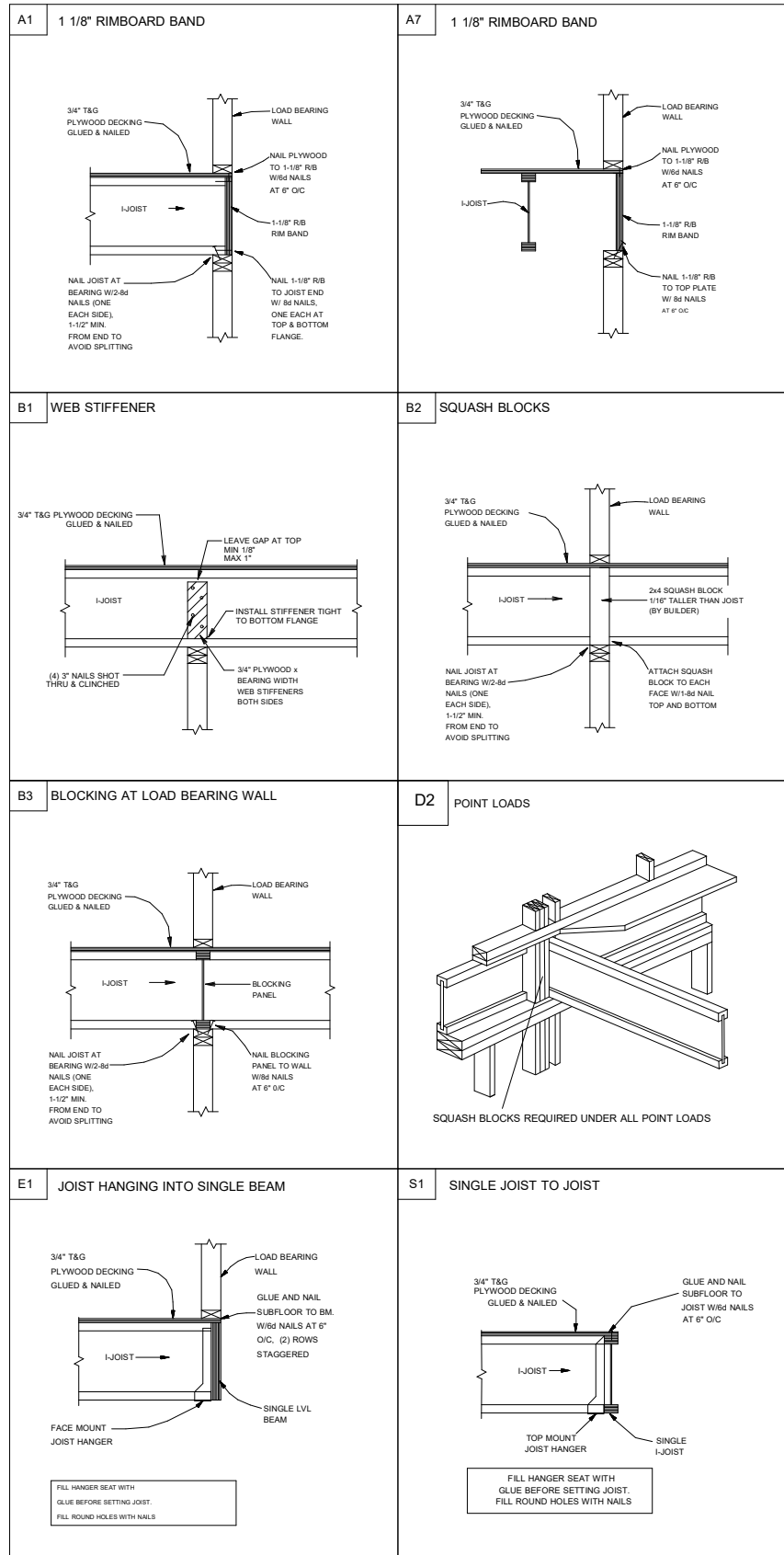
-SD COMMUNITIES

-COLEMAN ADG NO TRAY RH

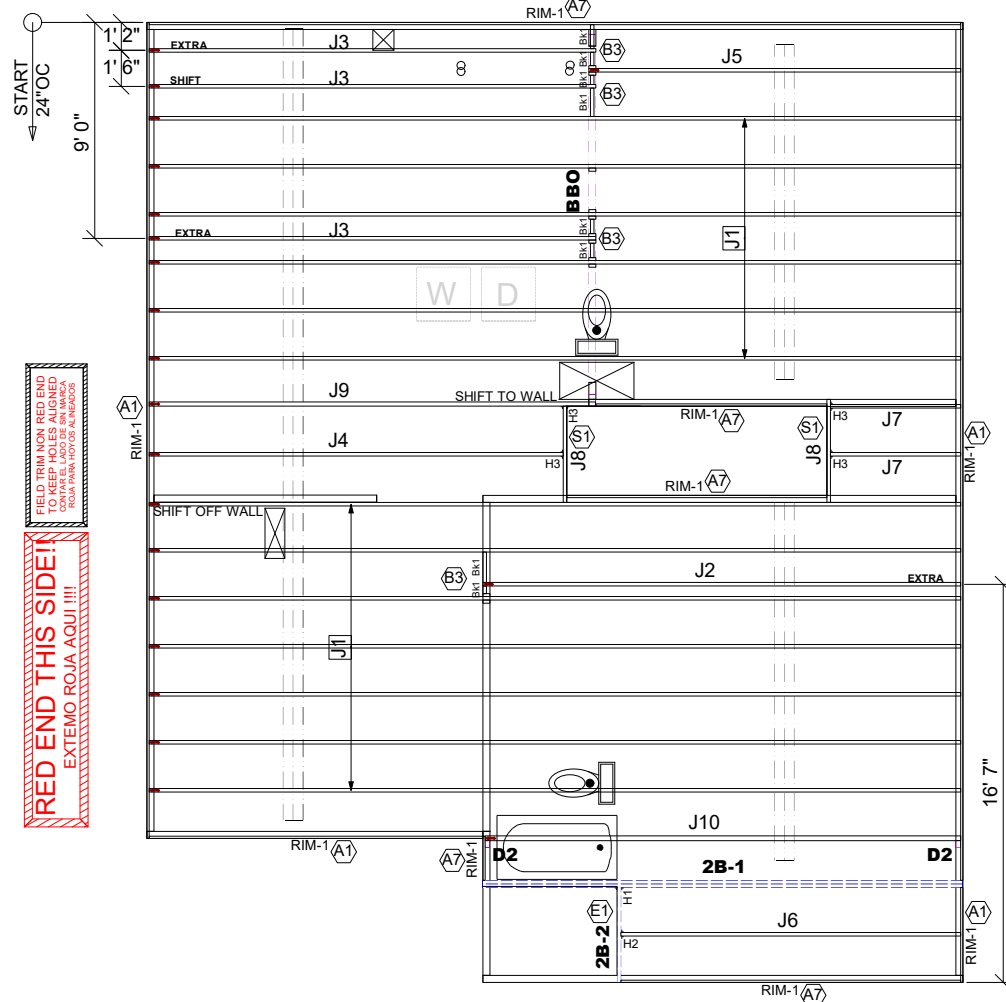
REVISIONS		DSN
DATE	DESCRIPTION	

DESIGNER -THATHCOCK
LAYOUT DATE -03.24.2022
ARCH DATE -
STRUC DATE -
JOB #: -22032047

THIS IS AN ENGINEERED WOOD PRODUCT (EWP) MEMBER PLACEMENT DIAGRAM ONLY; NOT AN ENGINEERED DOCUMENT. EWP members are designed as individual building components to be incorporated into the building design at the specification of the building designer. The Contractor is responsible for the temporary bracing of the floor system, and the building designer is responsible for the permanent bracing and blocking of the floor system and the overall structure. The design of the support structure including but not limited to headers, beams, walls, and columns is also the responsibility of the building designer. It is the responsibility of the General Contractor to verify that the provided layout matches the final intended construction plans, loading conditions, and use. If they do not, it is the responsibility of the General Contractor to notify UFP and provide plans containing the latest specifications and designs. UFP will not be responsible for plan changes by others after final approval of shop drawings, or for errors or modifications made on-site during construction. DO NOT CUT, NOTCH, DRILL, OR OTHERWISE "REPAIR" EWP MEMBERS IN ANY WAY WITHOUT PRIOR WRITTEN AUTHORIZATION BY A LICENSED PROFESSIONAL DESIGNATED BY UFP. The Framers are responsible to verify all dimensions, including adjusting member spacing within tolerances to allow for the drop and rise of plumbing/HVAC, unless noted otherwise. All connectors on this project are to be installed per the connector manufacturer's specifications. All connectors shown that are not joist to joist are suggestions only and are to be verified by the Building Designer or Engineer of Record for suitability to this particular project. UFP accepts no responsibility for the specific application or suitability of any connector that is not joist to joist as they apply to this specific structure.



2ND FLOOR PLACEMENT PLAN



Products					
PlotID	Length	Product	Plies	Net Qty	Fab Type
J1	34' 0"	14" TJI@ 110	1	13	MFD
J2	20' 0"	14" TJI@ 110	1	1	MFD
J3	19' 0"	14" TJI@ 110	1	3	MFD
J4	18' 0"	14" TJI@ 110	1	1	MFD
J5	16' 0"	14" TJI@ 110	1	1	MFD
J6	15' 0"	14" TJI@ 110	1	1	MFD
J7	6' 0"	14" TJI@ 110	1	2	MFD
J8	5' 0"	14" TJI@ 110	1	2	MFD
J9	19' 0"	14" TJI@ 210	1	1	MFD
J10	20' 0"	14" TJI@ 360	1	1	MFD
2B-1	20' 0"	1 3/4" x 14" 2.0E Microllam® LVL	2	2	MFD
2B-2	4' 0"	1 3/4" x 14" 2.0E Microllam® LVL	1	1	MFD
RIM-1	16' 0"	1 1/8" x 14" TJI@ Rim Board	1	10	FF
Bk1	2' 0"	14" TJI@ 110	1	8	MFD

Connector Summary			
PlotID	Qty	Manuf	Product
H1	1	MiTek	HUS179
H2	1	MiTek	IHFL1714
H3	4	MiTek	TFL1714

GENERAL NOTES:

- 1.) TOP CHORD OF JOISTS ARE PAINTED RED AT NUMBERED END. PLACE PAINTED END AS NOTED ON PLAN.
- 2.) FOLLOW SPECIAL SPACING AND LOCATION DIMENSIONS FOR EXTRAS OR SHIFTED JOISTS AS SHOWN ON PLAN.
- 3.) ALL INTERIOR WALL PLATES MUST BE LEVEL WITH OUTSIDE WALL TOP PLATES.
- 4.) DO NOT STACK CONSTRUCTION LOADS ON UN-BRACED JOISTS.
- 5.) PROVIDE SOLID SUPPORT BELOW ALL BEAM AND HEADER BEARING POINTS IN WALL AND JOIST SPACES CONTINUOUS DOWN TO THE FOUNDATION.
- 6.) LOCATE CRIPPLE STUDS IN JOIST SPACE DIRECTLY BELOW HEADER JACKS AT ALL FIRST FLOOR EXTERIOR DOOR LOCATIONS.
- 7.) INSTALL NAILS IN ALL HOLES PROVIDED IN JOIST HANGERS EXCEPT AT BOTTOM CHORD SEAT. PLACE A DAB OF GLUE IN THE HANGER SEAT BEFORE SETTING JOISTS.
- 8.) IMPORTANT NOTE! NO STRUCTURAL ANALYSIS OF CONVENTIONAL HEADERS HAS BEEN CONDUCTED IF NOT NOTED. THEY ARE CONSIDERED TO BE ADEQUATE TO SUPPORT THE APPLIED LOADS.

FRAMER NOTE

--- DENOTES DUCT HOLE RUNS

ALL DIMENSIONS TO CENTERLINE UNLESS OTHERWISE NOTED

• Avoid Plumbing Drops

FRAMER NOTE

1. GLUE AND NAIL PLYWOOD SUBFLOOR TO BEAMS AND GIRDERS AT 6" O/C WHERE NO WALL IS ABOVE.
2. FILL HANGER SEAT WITH GLUE BEFORE SETTING JOIST IN HANGER. FILL ROUND HOLES WITH NAILS.

FIELD VERIFY DIMENSIONS TO JOISTS LOCATED UNDER WALLS!!
2ND FLOOR LAYOUT

PLAN LEGEND

- 1B-, 2B-** *INDICATES BEAM ABOVE TOP PLATE (FLUSH WITH FLOOR SYSTEM)
- H-, 1H-, GDH-** INDICATES BEAM BELOW TOP PLATE (DROPPED BELOW FLOOR SYSTEM)
- *BEAMS MAY PROTRUDE ABOVE OR BELOW DECKING OR TOP PLATE RESPECTIVELY. REFER TO DETAIL IF BEAM IS A DIFFERENT DEPTH THAN FLOOR SYSTEM
- SINGLE PLY BEAM (ADD LINE FOR EACH ADDITIONAL PLY)
- SHIFT SHIFT JOIST TO MISS PLUMBING, ALIGN W/WALL OR SUPPORT FURNITURE
- EXTRA A JOIST ADDED TO THE LAYOUT IN ADDITION TO THE ON CENTER JOISTS
- DOUBLE TWO JOISTS SIDE BY SIDE (ONLY ASSEMBLED IF NOTED)

FIELD TRIM NON RED END TO KEEP HOLES ALIGNED
 CONTAR EL LADO DE SIN MARCA ROJA PARA HOYOS ALINEADOS

FIELD LOCATE PLUMBING DROPS/CAN LIGHTS, ETC... PRIOR TO JOIST SECUREMENT TO AVOID INTERFERENCE.

CRITICAL !!
 INSTALL 2X4 SQUASH BLOCKS IN FLOOR TRUSS SPACE BELOW ALL EXTERIOR DOOR HEADER JACKS. CUT 1/16" TALLER THAN TRUSS.



This drawing is property of UFP Site Built, LLC. Any unauthorized use of this document without written permission is prohibited. UFP relinquishes ownership of delivered product upon delivery. Owner of product must obtain UFP's authorization prior to any alteration or modification of product. UFP will not be held responsible for any unauthorized modifications done or costs incurred without prior written authorization from UFP.

Smith Douglas Homes

Coleman 2nd Floor

REVISIONS	DATE	DESCRIPTION	DSN