

B Square Footages:

1st Floor	935
2nd Floor	1301
Garage	410
Front Porch	81
Covered Deck Option	120
Full On Garage Option	220

2236

CBR 38

**McDowell B**  
 Genesis Series  
 V.05.03.00.00

GARAGE LEFT



**FRONT ELEVATION**

3/16" = 1'-0"

~~SEE SHEET AA-1 FOR STONE  
 & BRICK WATER TABLE  
 OPTIONS~~

**9FT CEILING OPTION NOTES:**

1. Fascia heights from 1st Flr of main house increase 12in. Fascia heights from 2nd Flr of main house remain the same.
2. Fascia/beam/column heights at Front and Rear Porches remain the same (regardless of fascia @ main house.)
3. Roof pitch at porch may change. Follow notes at elevations.
4. Window heights and sizes remain the same.

Features:

Rev By: cja  
 am SH EB

Drawn By: ATW  
 Date: 12/2/2024

**A1**



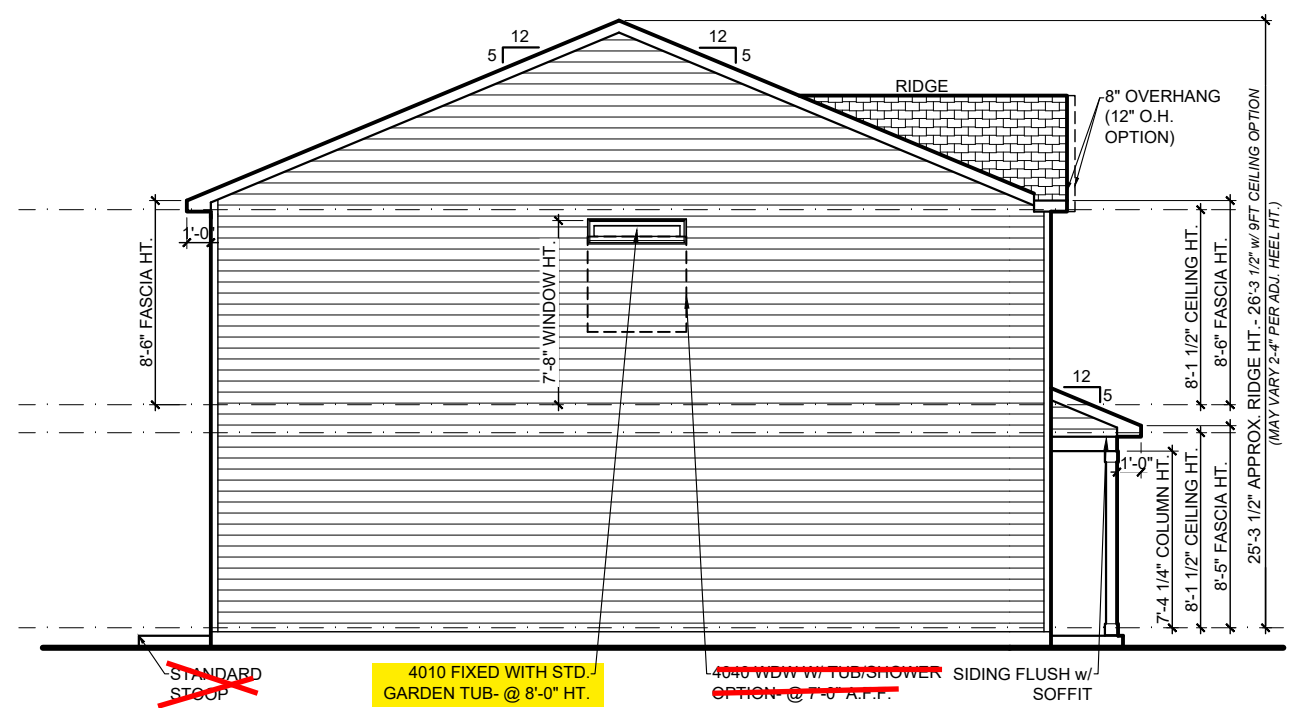
B Square Footages:

1st Floor	935
2nd Floor	1301
Garage	410
Front Porch	81
Covered Porch Option	120
3rd Car Garage Option	220

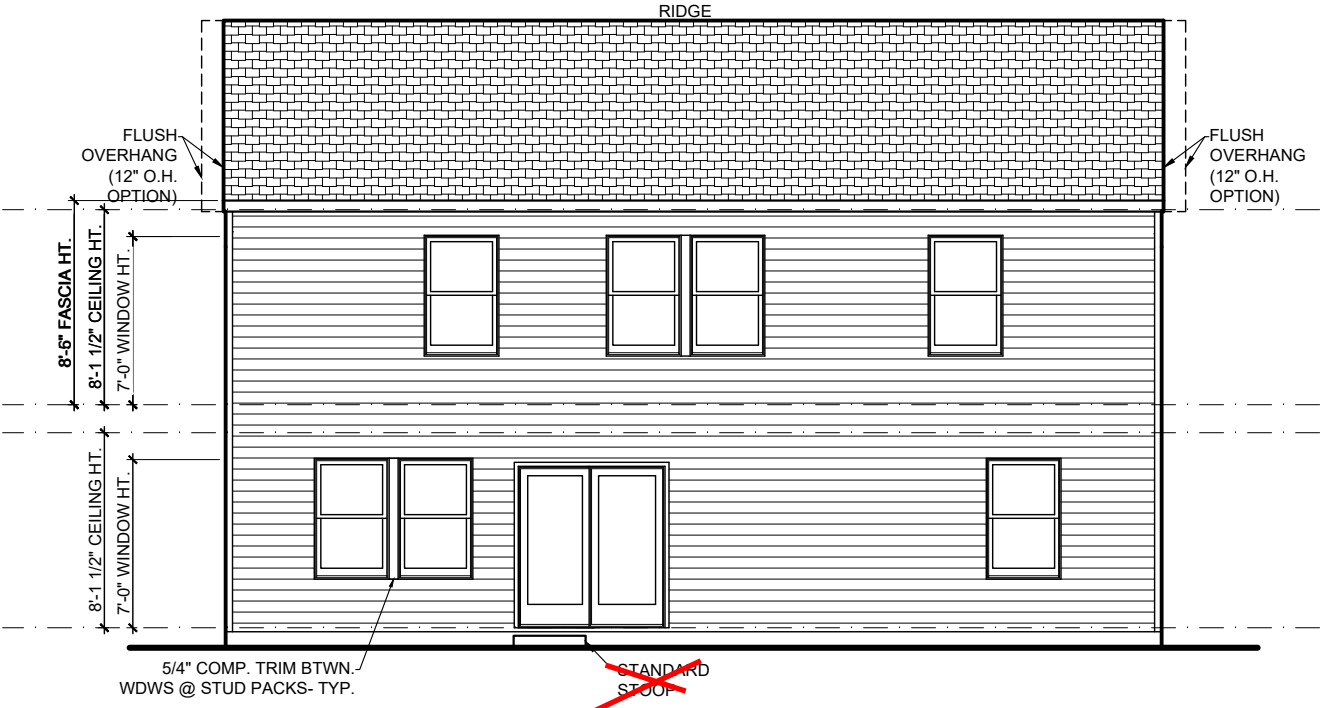
**McDowell B**  
Genesis Series  
v.05.03.00.00  
GARAGE LEFT

Features:  
Drawn By: ATW  
Rev By: cja  
am SH EB  
Date: 12/2/2024

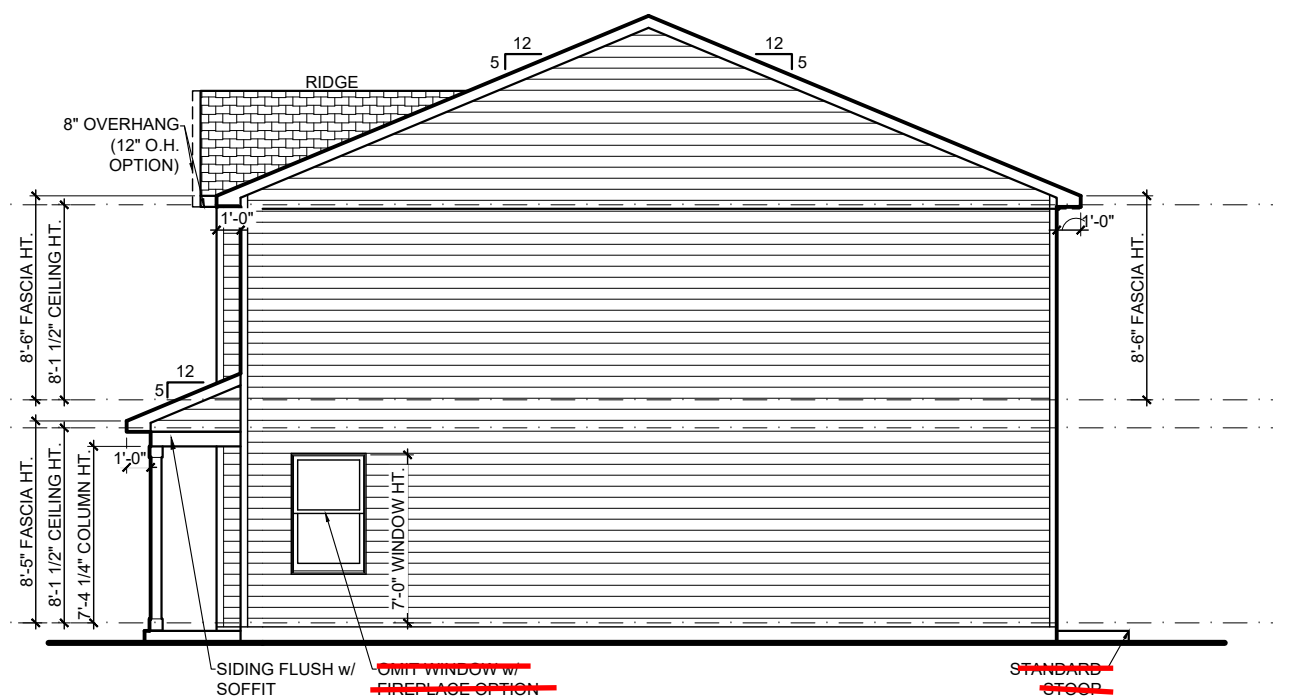
**A2**



**LEFT ELEVATION**  
1/8" = 1'-0"



**REAR ELEVATION**  
1/8" = 1'-0"



**RIGHT ELEVATION**  
1/8" = 1'-0"

**9FT CEILING OPTION NOTES:**

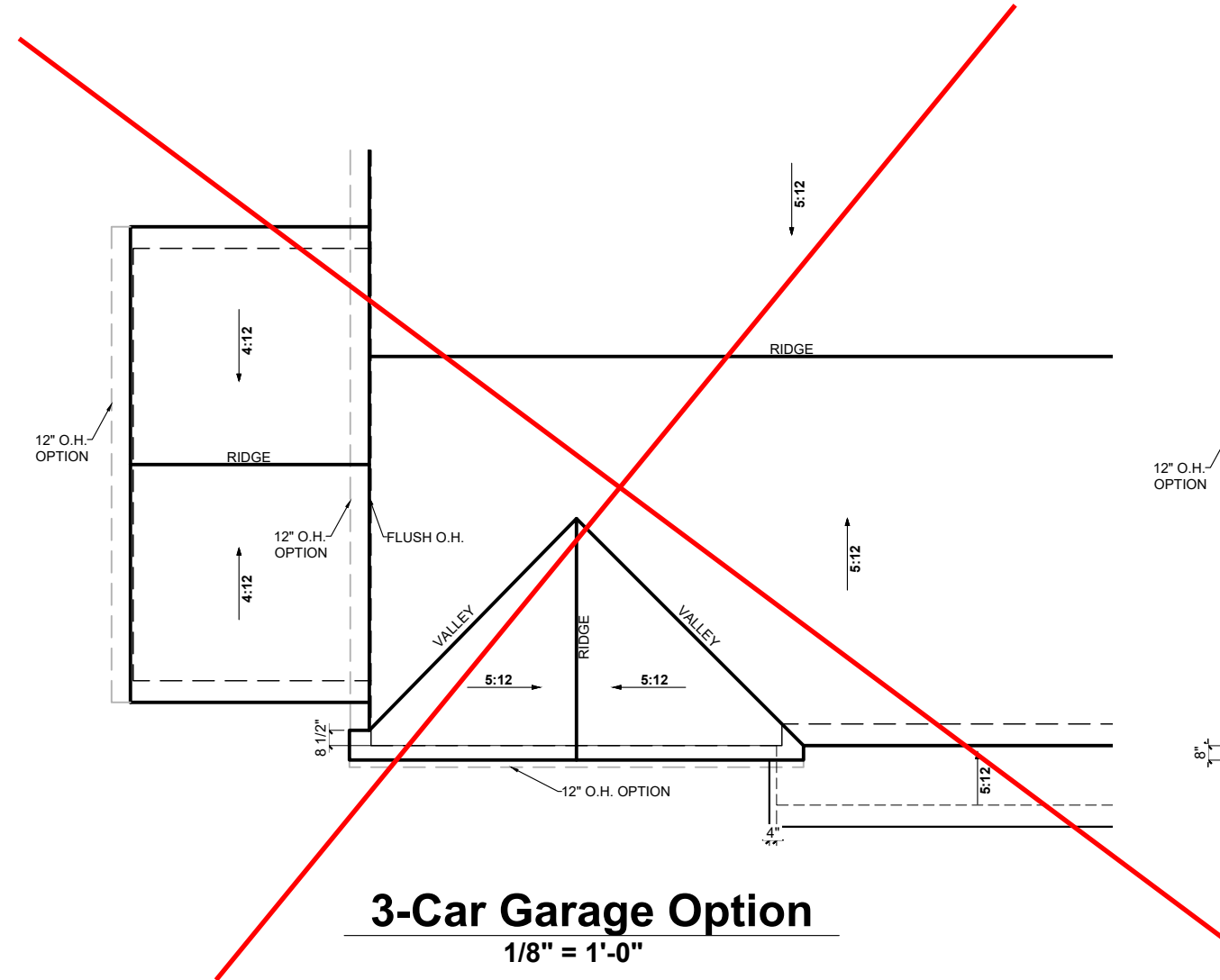
1. Fascia heights from 1st Flr of main house increase 12in. Fascia heights from 2nd Flr of main house remain the same.
2. Fascia/beam/column heights at Front and Rear Porches remain the same (regardless of fascia @ main house.)
3. Roof pitch at porch may change. Follow notes at elevations.
4. Window heights and sizes remain the same.



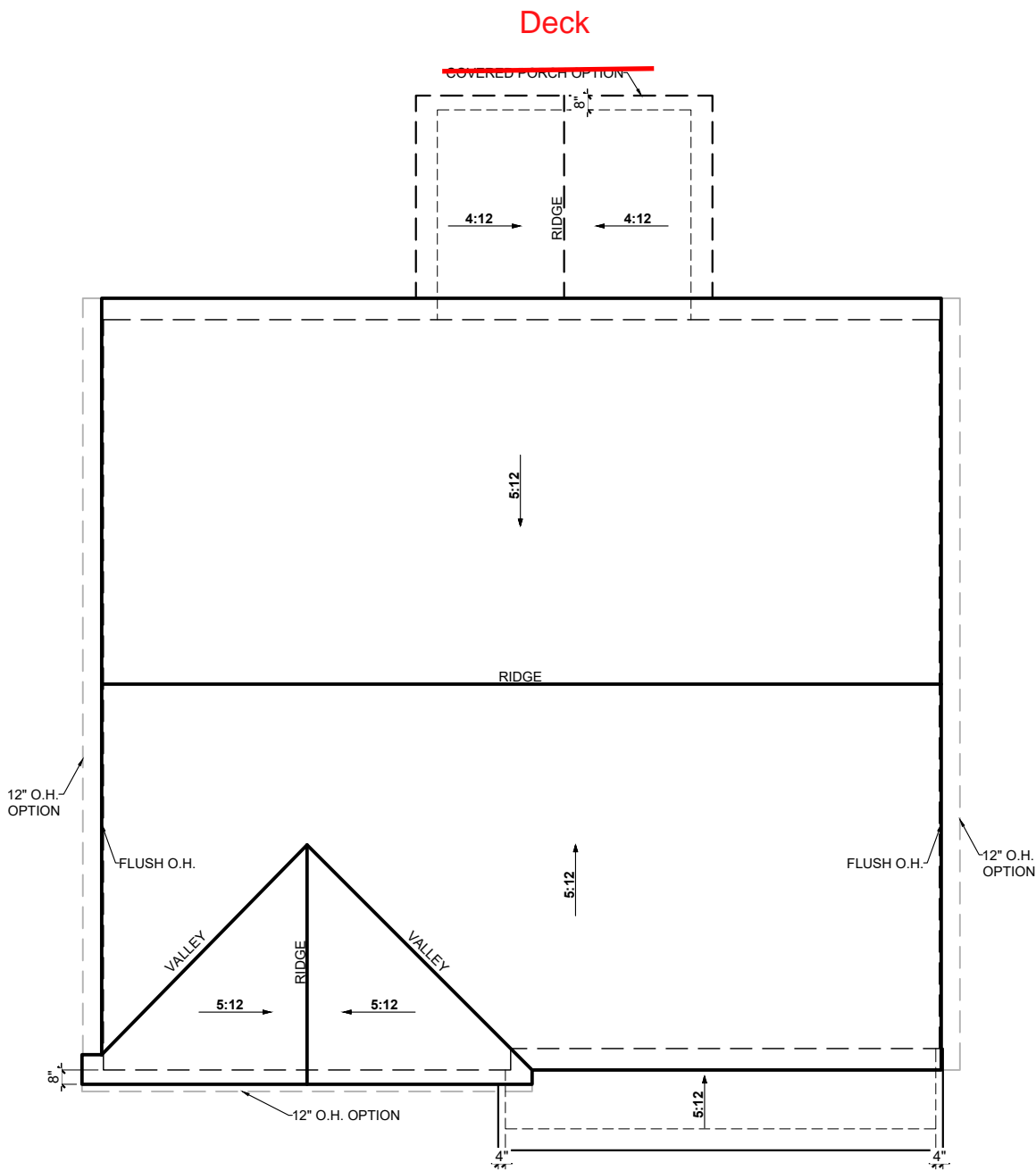
- NOTES:**
1. ALL OVERHANGS ARE 1'-0" U.N.O.
  2. ROOF PLANS *DO NOT* INCLUDE FULL BRICK OPTIONS.
  3. ROOF PLANS ARE NOT INTENDED FOR CONSTRUCTION USE. (INFORMATIONAL USE ONLY)
  4. BE SURE TO CHECK OVERHANG INFORMATION AT PLAN WHEN CALCULATING SOFFIT INTAKE

**B Square Footages:**

1st Floor.....	935
2nd Floor.....	1301
Garage.....	410
Front Porch.....	81
Covered Porch Option.....	120
3rd Car Garage Option.....	220



**3-Car Garage Option**  
1/8" = 1'-0"



**ROOF PLAN**  
1/8" = 1'-0"

**ROOF INFORMATION SUMMARY**

<b>MAIN ROOF-</b>	
<b>Base House:</b>	
Attic Square Footage.....	1345 sf
Flat Soffit.....	59 lf
Ridge.....	47 lf
<b>AREA(S) NOT AFFECTING MAIN ROOF-</b>	
<b>Front Porch:</b>	
Attic Square Footage.....	78 sf
Flat Soffit.....	20 lf
Roof to Wall Ridge.....	19 lf
<b>Rear Covered Porch Option:</b>	
Attic Square Footage.....	116 sf
Flat Soffit.....	20 lf
Ridge.....	9 lf

**McDowell B**  
Genesis Series  
v.05.03.00.00  
GARAGE LEFT

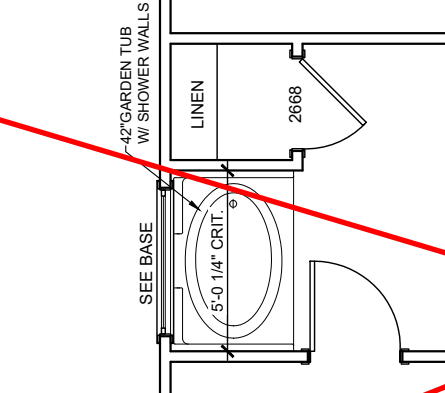
Features:  
Drawn By: ATW  
Rev By: cja  
am SH EB  
Date: 12/2/2024

**A-R 1**

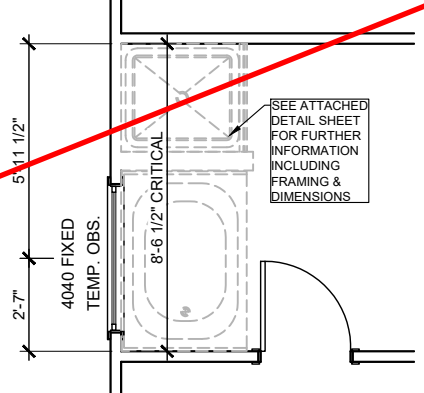




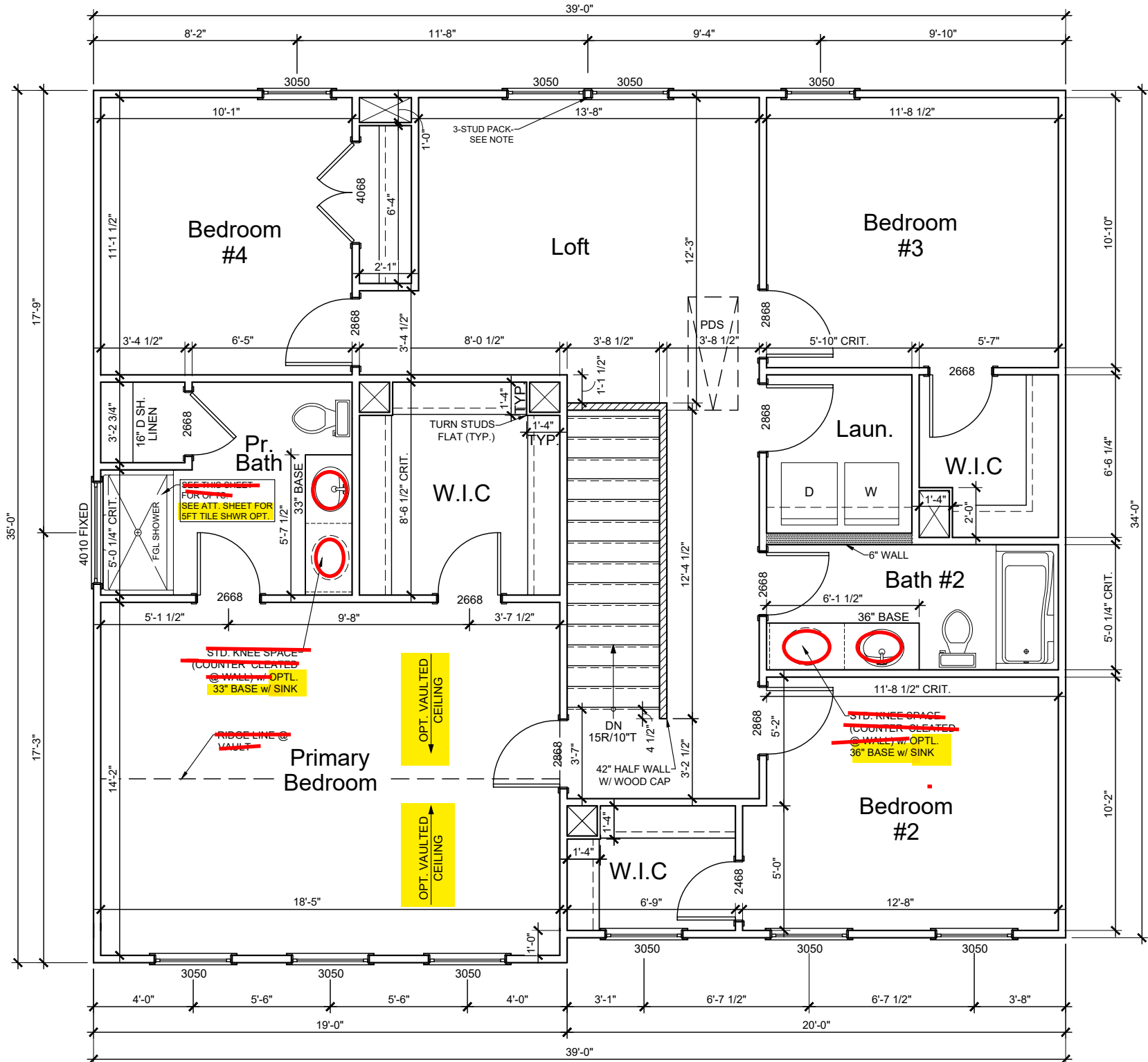
**3- STUD PACK NOTE:**  
 ALL FRAMING BETWEEN WINDOWS TO BE WRAPPED IN ICE & WATER SHIELD OR OTHER WEATHER RESISTANT BARRIER BEFORE WINDOWS ARE INSTALLED. MAINTAIN DRAINAGE PLAN FROM TOP TO BOTTOM WITH HOUSEWRAP - TYPICAL.



**42" Garden Tub w/  
 Shower Walls Option**  
 3/16" = 1'-0" @ PRIMARY BATH



**Tub/ Shower Option**  
 FOR ORIENTATION PURPOSES ONLY  
 @ PRIMARY BATH @ 2ND FLOOR



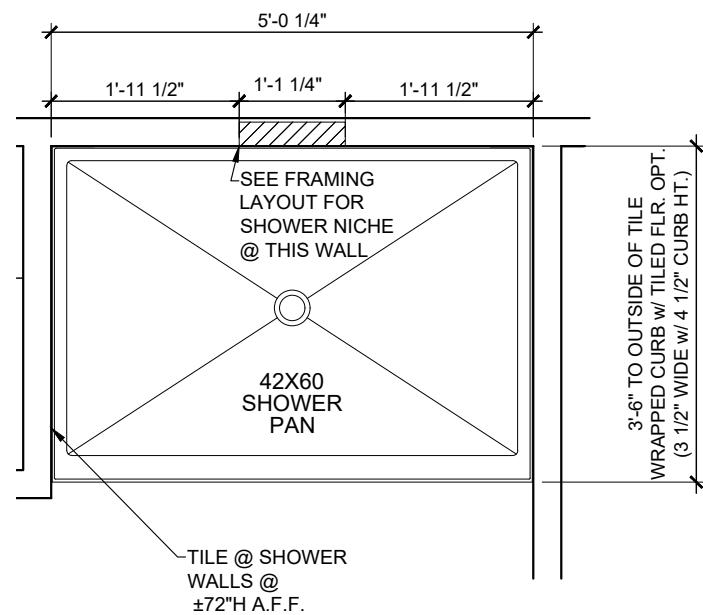
**SECOND FLOOR**  
 3/16" = 1'-0"

<b>B2</b>	Features:
	Drawn By: ATW      Rev By: cja am SH EB
	Date: 12/2/2024

**McDowell B**  
 Genesis Series  
 v.05.03.00.00  
 GARAGE LEFT

1st Floor.....	935
2nd Floor.....	1301
Garage.....	410
Front Porch.....	81
Covered Porch Option.....	120
3rd Car Garage Option.....	220

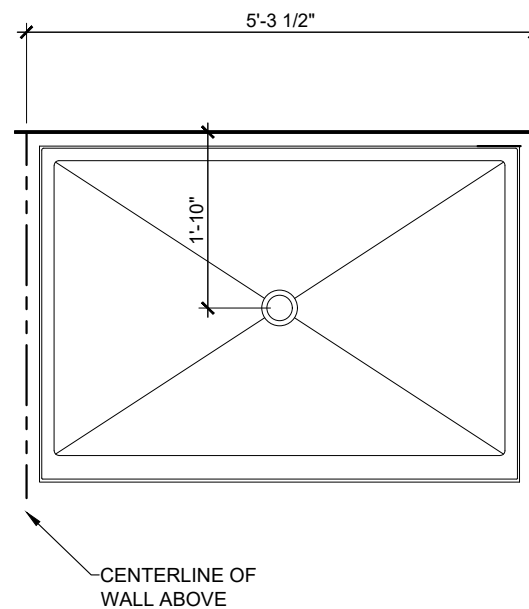
B Square Footages:



## FLOOR PLAN

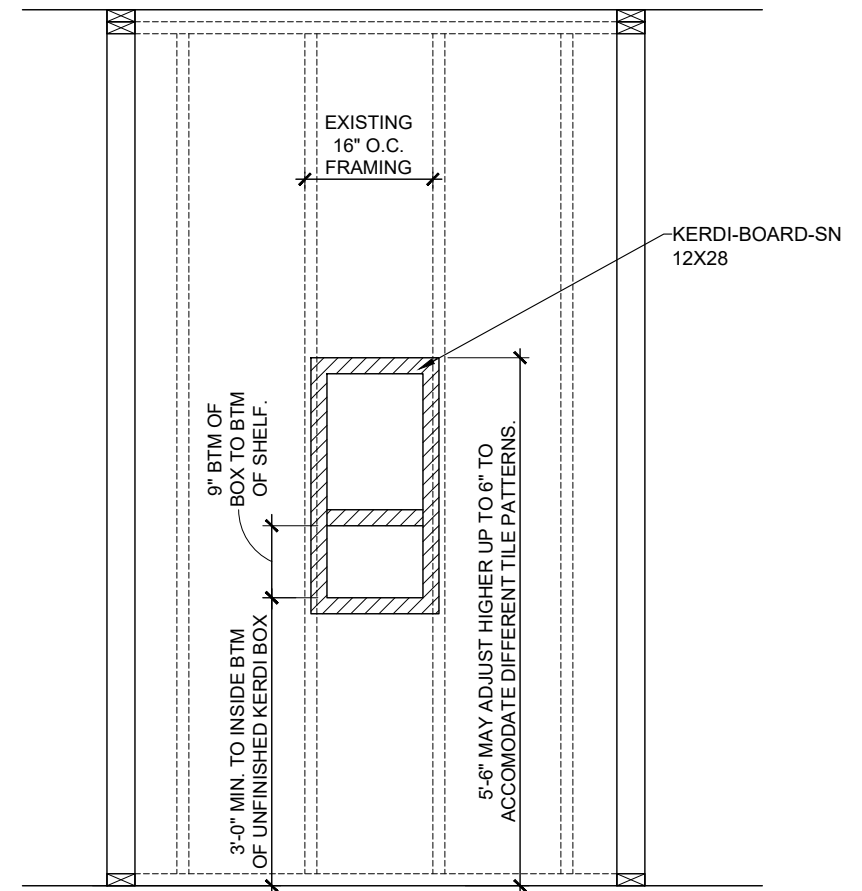
SCALE: 1/2" = 1'-0"

NOTE: THIS DETAIL IS NOT PLAN SPECIFIC, BUT SHOULD MATCH THE SHOWER ORIENTATION ON EACH PLAN SET.

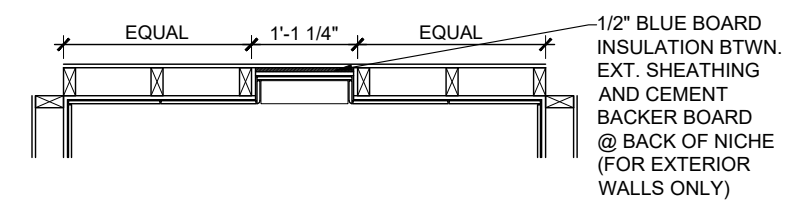


## FOUNDATION INFORMATION

SCALE: 1/2" = 1'-0"



## ELEVATION VIEW



## PLAN VIEW

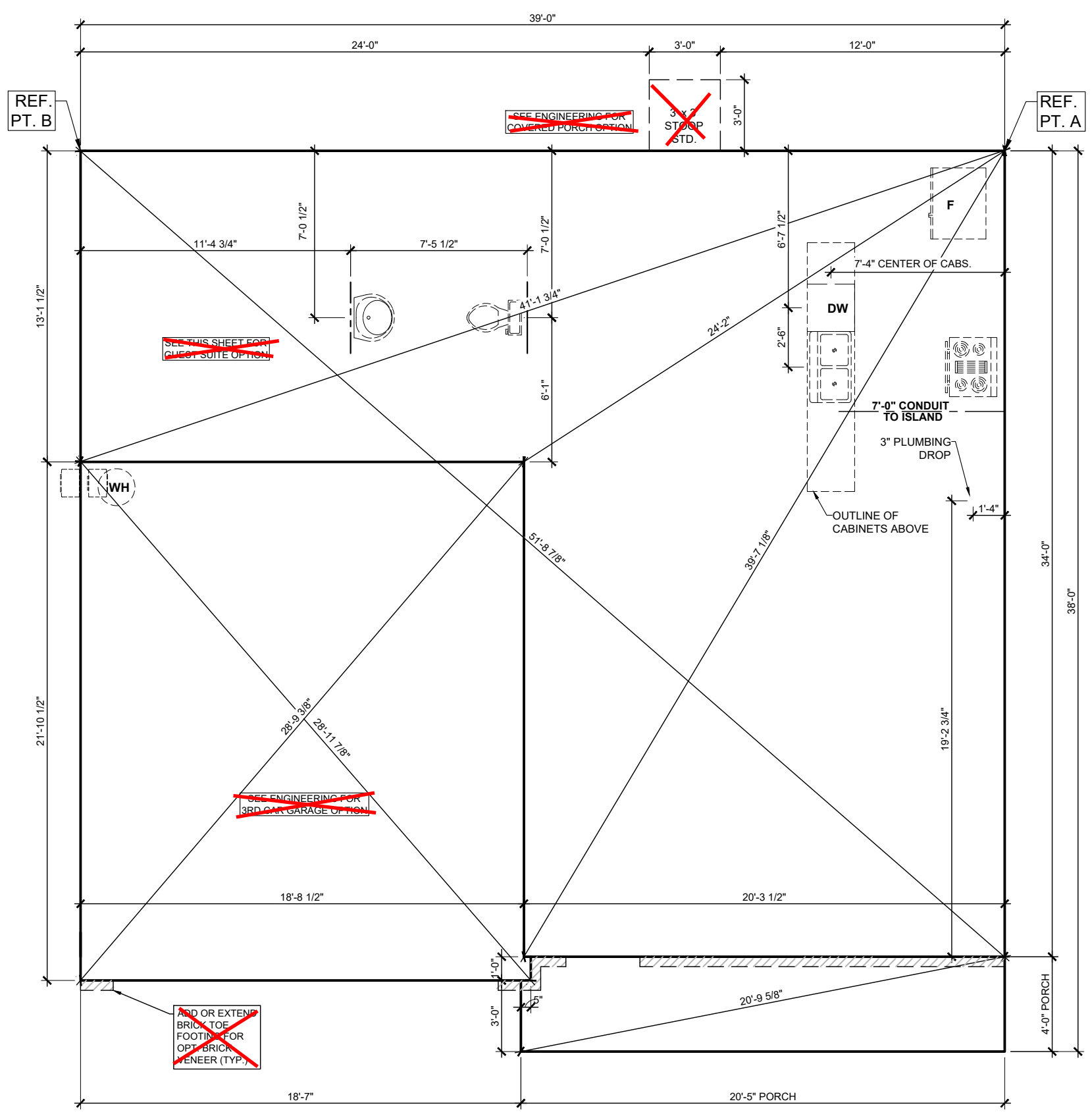
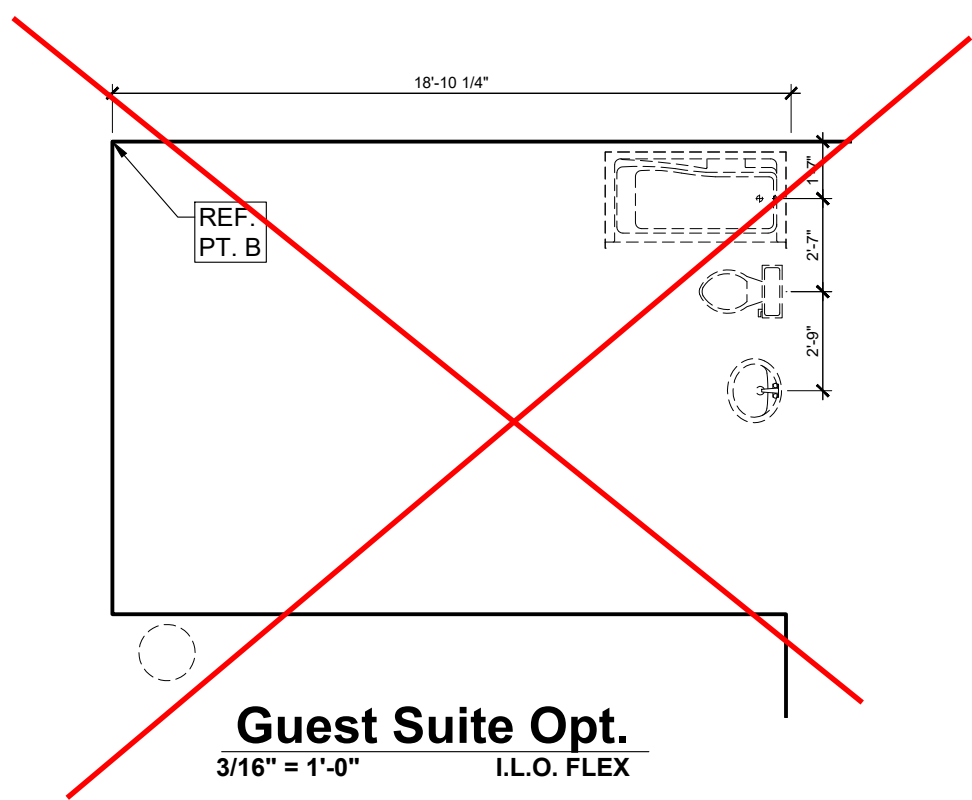
# KERDI SHOWER NICHE DETAIL

SCALE: 1/2" = 1'-0"

**PRIMARY BATH**  
**5' TILE SHOWER ONLY OPTION (42x60)**  
 SCALE: 1/2" = 1'-0"

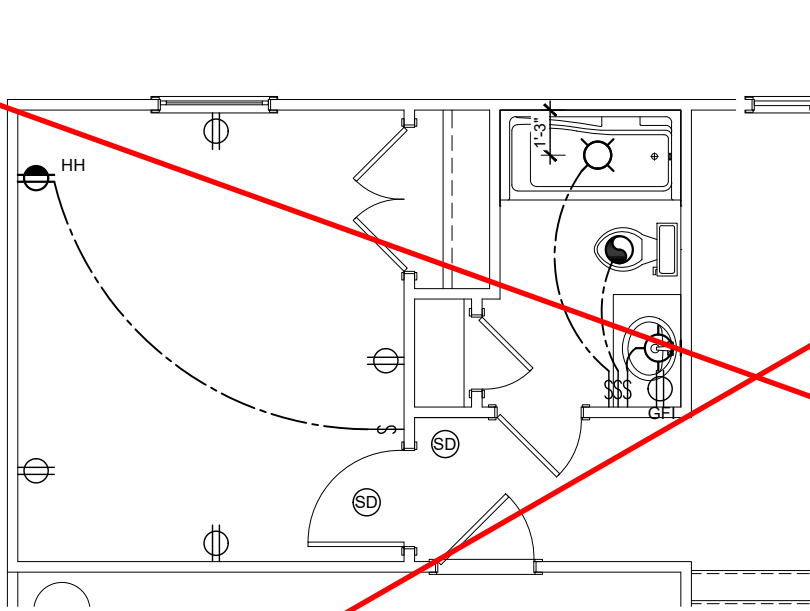
Drawn By: KBM  
 Date: 8/27/2024  
 Rev. By: AM

- NOTES:
- SEE ENGINEERING FOR STRUCTURAL INFORMATION
  - CONTROL JOINTS
    - PROVIDE CONTROL JOINTS AT ALL INSIDE CORNERS OF SLAB EDGES, AND OTHER LOCATIONS WHERE SLAB CRACKS ARE LIKELY TO DEVELOP.
    - JOINTS SHALL BE LOCATED @ 10'-0" O.C. (RECOMMENDED) OR 15'-0" O.C. (MAXIMUM).
    - JOINT GRID PATTERN SHALL BE AS CLOSE TO SQUARES AS POSSIBLE (1:1 RATIO), WITH A MAXIMUM OF 1:1.5 RATIO.
    - CONTROL JOINTS SHALL NOT BE INSTALLED IN STRUCTURAL SLABS.



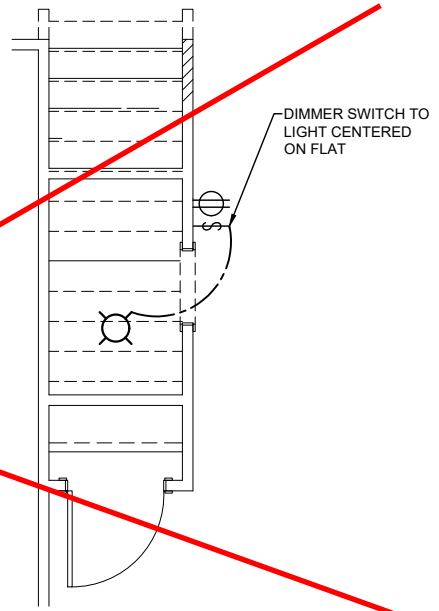
**FOUNDATION INFORMATION SHEET**  
 3/16" = 1'-0"

<b>B3</b>	Features: FOUNDATION INFO. SHEET	<b>McDowell B</b> Genesis Series v.05.03.00.00 GARAGE LEFT	1st Floor.....935	B Square Footages:	
	Drawn By: ATW      Rev By: cja am SH EB		Garage.....1301		
	Date: 12/2/2024		Front Porch.....410 Covered Porch Option.....120 3rd Car Garage Option.....220		



**Guest Suite Option**

3/16" = 1'-0"

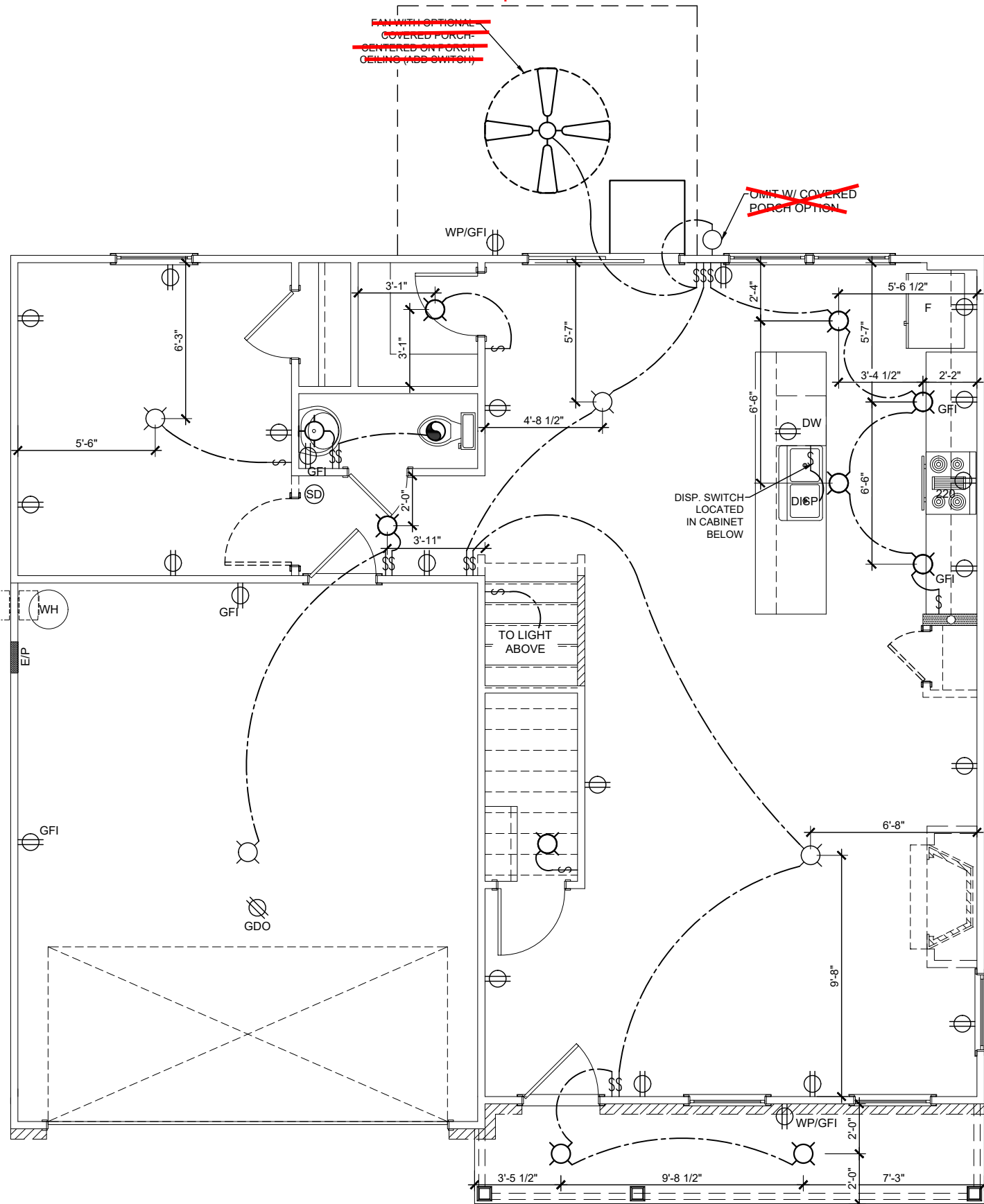


**Pet Pad Option**

3/16" = 1'-0"

I.L.O. UNDER STAIR STO.

See Page SO1.1 for  
Opt. Wood Deck



**FIRST FLOOR - ELECTRICAL**

3/16" = 1'-0"

**E1**

Features:

Drawn By: ATW

Rev By: cja  
am SH EB

Date: 12/2/2024

**McDowell B**

Genesis Series  
v.05.03.00.00

GARAGE LEFT

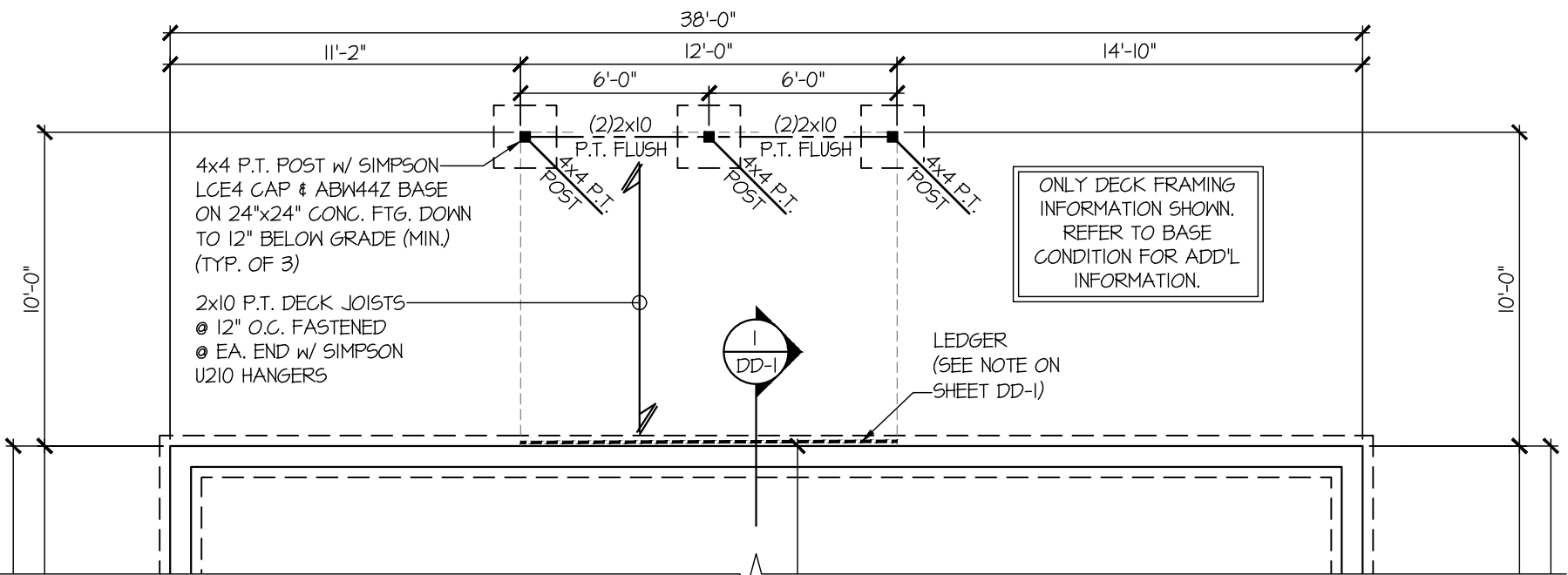
1st Floor.....	935
2nd Floor.....	1301
Garage.....	410
Front Porch.....	81
Covered Porch Option.....	120
3rd Car Garage Option.....	220

B Square Footages:



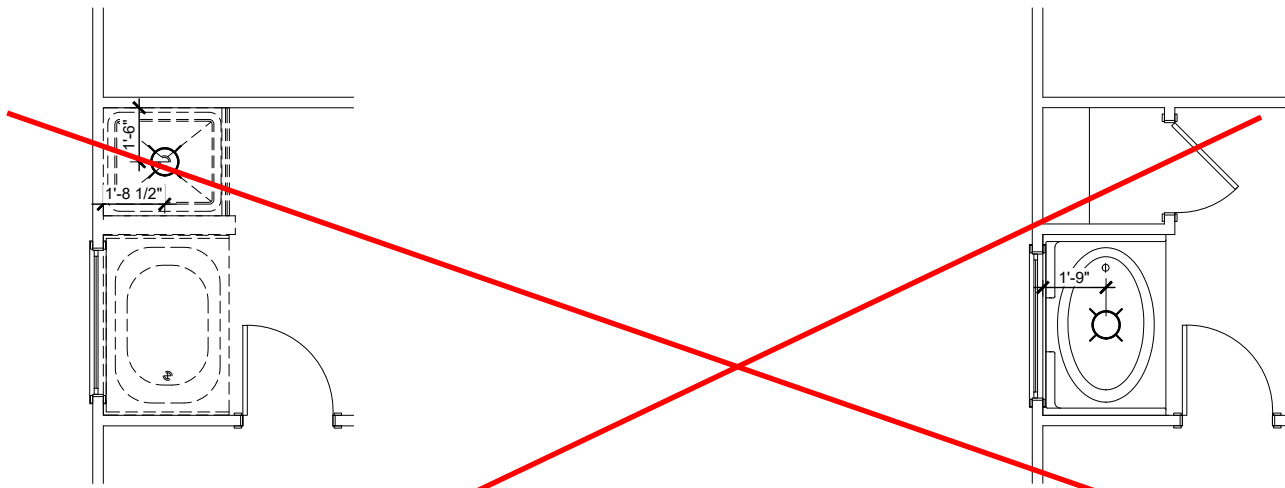
ADD'L HARDWARE SCHEDULE FOR  
OPT. WOOD DECK

QTY	PRODUCT
24	SIMPSON U210 HANGER
3	SIMPSON LCE4 POST CAP
3	SIMPSON ABW44Z POST BASE
4	SIMPSON H3 CLIP
2	SIMPSON BC52-2/4 POST BASE



**1 PARTIAL CRAWLSPACE FOUNDATION PLAN  
OPT. WOOD DECK**  
SCALE: 3/16"=1'-0" ALL ELEVS. SIM.

REFER TO S-0.0 FOR  
TYPICAL STRUCTURAL NOTES  
& SCHEDULES

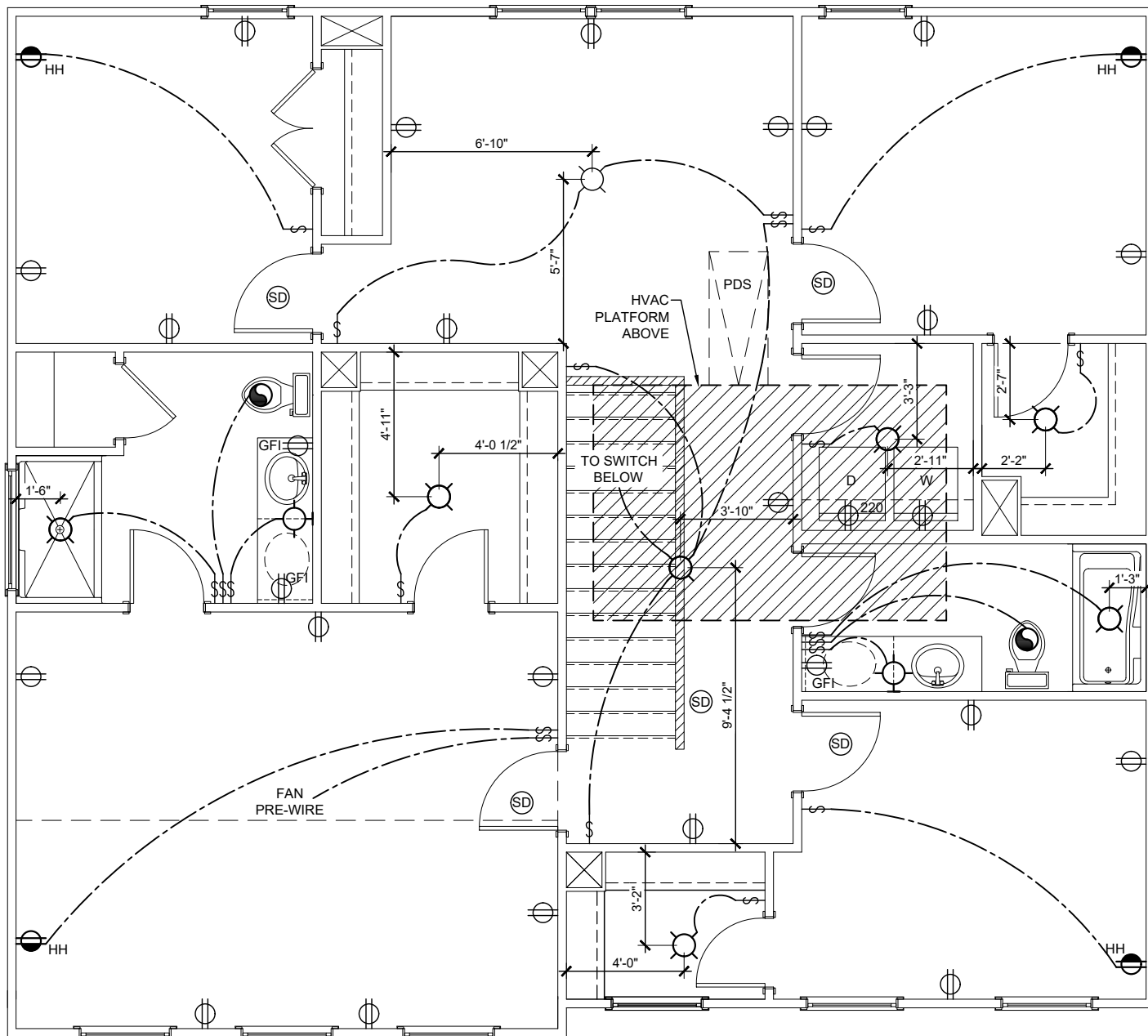


**Tub/ Shower Option**

FOR ORIENTATION PURPOSES ONLY  
@ PRIMARY BATH @ 2ND FLOOR

**42" Garden Tub w/  
Shower Walls Option**

3/16" = 1'-0" @ PRIMARY BATH



**SECOND FLOOR - ELECTRICAL**  
3/16" = 1'-0"

<b>EN</b>	Features:	<b>McDowell B</b> Genesis Series v.05.03.00.00 <b>GARAGE LEFT</b>	1st Floor.....935 2nd Floor.....1301 Garage.....410 Front Porch.....81 Covered Porch Option.....120 3rd Car Garage Option.....220	EST. 1954  MUNGO HOMES		
	Drawn By: ATW				Rev By: cja am SH EB	B Square Footages:
	Date: 12/2/2024					



**CONNECTION SPECIFICATIONS (TYP. U.N.O.)**

DESCRIPTION OF BLDG. ELEMENT	3"x0.131" NAILS	3"x0.120" NAILS
JOIST TO SOLE PLATE	(3) TOENAILS NAILS @ 6" o.c.	(3) TOENAILS* NAILS @ 4" o.c.
SOLE PL. TO JOIST/RIM OR BLKG STUD TO PLATE	(4) TOENAILS/ (3) END NAILS	(4) TOENAILS/ (4) END NAILS*
RIM TO TOP PLATE	TOENAILS @ 6" o.c.	TOENAILS @ 4" o.c.*
BLKG. BTWN. JOISTS TO TOP PL.	(3) TOENAILS EA. END	(3) TOENAILS EA. END*
DOUBLE STUD	NAILS @ 16" o.c.	NAILS @ 16" o.c.
DOUBLE TOP PLATE	NAILS @ 12" o.c.	NAILS @ 8" o.c.
DOUBLE TOP PLATE LAP SPLICE	(12) NAILS IN LAPPED AREA (24" MIN.)	(15) NAILS IN LAPPED AREA (24" MIN.)
TOP PLATE LAP @ CORNERS & INTERSECTING WALLS	(3) NAILS	(3) NAILS
ADJACENT FULL-HEIGHT STUD TO END OF HEADER	(4) NAILS	(4) NAILS
RAFTER/TRUSS TO TOP PLATE	(4) TOENAILS + (1) SIMPSON H2.5T	(4) TOENAILS + (1) SIMPSON H2.5T
GAB. END TRUSS TO DBL. TOP PL.	TOENAILS @ 8" o.c.	TOENAILS @ 6" o.c.
R.T. w/ HEEL HT. 9 1/4" TO 12"	2x10 BLK EVERY 3RD BAY FASTENED TO DBL. TOP PLATE w/ TOENAILS @ 6" o.c.	2x10 BLK EVERY 3RD BAY FASTENED TO DBL. TOP PLATE w/ TOENAILS @ 4" o.c.
R.T. w/ HEEL HT. 12" TO 16"	2x12 BLK EVERY 3RD BAY FASTENED TO DBL. TOP PLATE w/ TOENAILS @ 6" o.c.	2x12 BLK EVERY 3RD BAY FASTENED TO DBL. TOP PLATE w/ TOENAILS @ 4" o.c.
R.T. w/ HEEL HT. UP TO 24"	LAP WALL SHTG. w/ DBL. TOP PL. & INSTALL ON TRUSS VERT. - FASTEN w/ NAILS @ 6" o.c.	LAP WALL SHTG. w/ DBL. TOP PL. & INSTALL ON TRUSS VERT. - FASTEN w/ NAILS @ 6" o.c.*
R.T. w/ HEEL HT. 24" TO 48"	LAP WALL SHTG. w/ DBL. TOP PL. & INSTALL ON TRUSS VERT. - FASTEN w/ NAILS @ 6" o.c. PROVIDE 2x BLK @ EA. BAY AT TOP OF HEEL	LAP WALL SHTG. w/ DBL. TOP PL. & INSTALL ON TRUSS VERT. - FASTEN w/ NAILS @ 6" o.c. PROVIDE 2x BLK @ EA. BAY AT TOP OF HEEL*
WALL TO FOUNDATION	WALL SHTG. LAP w/ SILL PL. & FASTENED PER SHEAR WALL FASTENING SPEC.	

\* 2 1/2" x 0.131 IS AN ACCEPTABLE ALTERNATIVE TO A 3" x 0.120, SAME SPACING OR NUMBER OF NAILS. (ONLY ACCEPTABLE WHERE \* ARE SHOWN)

**VENEER LINTEL SCHEDULE**

SPAN (MAX)	HEIGHT OF VENEER ABOVE LINTEL	STEEL ANGLE SIZE
3'-0"	20 FT. MAX	L3"x3"x1/4"
6'-0"	3 FT. MAX	L3"x3"x1/4"
	12 FT. MAX	L4"x3"x1/4"
8'-0"	20 FT. MAX	L5"x3"x3/8"
	3 FT. MAX	L4"x4"x1/4" *
	12 FT. MAX	L5"x3"x3/8" *
9'-6"	16 FT. MAX	L6"x3"x3/8" *
	12 FT. MAX	L6"x3"x3/8" *
16'-0"	2 FT. MAX	L7"x4"x1/2" **
	3 FT. MAX	L8"x4"x1/2" **

**ALL LINTELS:**  
 - SHALL SUPPORT 2 3/8" - 3 1/2" VENEER w/ 40 psf MAXIMUM WEIGHT.  
 < 16' SHALL HAVE 4" MIN. BEARING  
 > 16' SHALL HAVE 8" MIN. BEARING  
 < 16' SHALL NOT BE FASTENED BACK TO HEADER.  
 > 16' SHALL BE FASTENED BACK TO WOOD HEADER IN WALL @ 48" o.c. w/ 1/2" DIA. x 3 1/2" LONG LAG SCREWS IN 2" LONG VERTICALLY SLOTTED HOLES.  
 - MAX. VENEER HT. APPLIES TO ANY PORTION OF BRICK OVER THE OPENING.  
 - ALL LINTELS SHALL BE LONG LEG VERTICAL.  
 - WHEN SUPPORTING VENEER < 3" WIDE THE EXTERIOR TOE OF THE HORIZONTAL LEG MAY BE CUT IN THE FIELD TO BE 3 1/4" WIDE OVER THE BEARING LENGTH ONLY. THIS IS TO ALLOW FOR MORTAR JOINT FINISHING.  
 - SEE STRUCTURAL PLANS FOR ANY LINTEL CONDITION NOT ENCOMPASSED BY THE ABOVE PARAMETERS. FOR ANY LINTEL FASTENED BACK TO BEAM, FASTENERS SHALL MAINTAIN A 2 1/2" (MINIMUM) CLEAR DISTANCE FROM BOT. OF BEAM.  
 \* FOR GREEN VENEER USE L4"x3"x1/4".  
 \*\* FOR 3 1/2" VENEER ONLY. SEE PLAN FOR VENEER SUPPORT IF VENEER < 3 1/2" THICK.

**NON-BEARING HEADER SCHEDULE**

SPAN	2x4 NON-BEARING PARTITION WALL	2x6 NON-BEARING PARTITION WALL
UP TO 3'-0"	(1)2x4 FLAT	(1)2x6 FLAT
UP TO 6'-0"	(2)2x4	(3)2x4
UP TO 8'-0"	(2)2x6	(3)2x6
UP TO 12'-0"	(2)2x10	(2)2x10

**LEGEND**

- INTERIOR BEARING WALL
- BEARING WALL ABOVE (B.J.A.) - AND/OR - SHEAR WALL ABOVE (S.J.A.)
- BEAM / HEADER
- ◻ EXTENT OF OVERFRAMING (O.F.)
- ◻ EXTENT OF TILE OVER FLOOR
- EXTENT OF BRACING PANELS/SHEARWALL w/ ADDL CONNECTION REQUIREMENTS
- ▶ INDICATES HOLD-DOWN OR STRAP.
- ◌ METAL HANGER
- \* INDICATES POST ABOVE (P.A.) PROVIDE SOLID BLOCKING UNDER POST OR JAMB ABOVE.

**MEANS & METHODS NOTES**

THE STRUCTURE IS DESIGNED TO BE SELF SUPPORTING AND STABLE AFTER THE BUILDING IS FINISHED AND ALL PLAN, DETAIL, AND NOTE SPECIFICATIONS HAVE BEEN COMPLETED. IT IS THE CONTRACTOR'S SOLE RESPONSIBILITY TO DETERMINE THE ERECTION PROCEDURES AND SEQUENCE TO INSURE THE SAFETY OF THE BUILDING AND ITS COMPONENTS DURING CONSTRUCTION. THIS INCLUDES, BUT IS NOT LIMITED TO, THE ADDITION OF NECESSARY SHORINGS, SHEETING, TEMPORARY BRACING, GUYS, AND TIE-DOWNS. CONTRACTOR SHALL BE RESPONSIBLE FOR ALL SHORING AND BRACING REQUIRED TO STABILIZE AND PROTECT EXISTING AND ADJACENT STRUCTURES AND SYSTEMS DURING COURSE OF DEMOLITION AND CONSTRUCTION OF THE PROJECT.

STRUCTURAL DESIGN AND SPECIFICATIONS ASSUME THAT ALL SUPPORTING AND NON-SUPPORTING ELEMENTS IN CONTACT WITH FLOOR FRAMING ARE LEVEL, INCLUDING, BUT NOT LIMITED TO; FOUNDATIONS, SLABS ON GRADE, BEAMS, WALLS, AND NON-BEARING ELEMENTS. IT IS THE CONTRACTOR'S RESPONSIBILITY TO VERIFY LEVELNESS AND MAKE ADJUSTMENTS AS NECESSARY, INCLUDING CONSIDERATION OF THOSE AREAS THAT MAY BE WITHIN CONTRACTUAL, INDUSTRY, OR WARRANTY TOLERANCES.

**GENERAL STRUCTURAL NOTES**

**FOUNDATION**

- DESIGN IS BASED ON 2018 NORTH CAROLINA STATE RESIDENTIAL CODE.
- FOOTING DESIGN - 2,000 PSF ALLOWABLE SOIL BEARING PRESSURE IS ASSUMED. BUILDER/CONTRACTOR MUST VERIFY.
- FASTEN 2x4/6 SILL PLATES TO CONC. FND WITH A MINIMUM OF 2 ANCHORS PER PLATE, 12" MAX. FROM PLATE ENDS - UTILIZING:
  - 1/2" DIA. ANCHOR BOLTS @ 6'-0" O.C. w/ 1" MIN. EMBEDMENT OR SIMPSON MASA ANCHORS @ 6'-0" O.C.
- SIMPSON STRONG-BOLT 2 WEDGE ANCHOR (STB2-50700 - 1/2" @ x 7") MAY BE USED IN PLACE OF ANCHOR BOLTS @ INTERIOR THICKENED SLABS ONLY.
- ALL LUMBER EXPOSED TO WEATHER OR IN CONTACT w/ PERIMETER FOUNDATION SHALL BE PRESERVATIVE TREATED SOUTHERN PINE #2.
- FOUNDATION WALLS & FOOTINGS SHALL BE PLAIN CONCRETE, U.N.O.
- CONCRETE DESIGN BASED ON ACI 318. CONCRETE SHALL ATTAIN THE FOLLOWING MIN. COMPRESSIVE STRENGTHS IN 28 DAYS, U.N.O.:
  - fc = FOUNDATION WALLS (SEE FOUNDATION DETAILS) 2500 psi; ..... FOOTINGS & INTERIOR SLABS ON GRADE 3000 psi; ..... GARAGE & EXTERIOR SLABS ON GRADE 6000 psi
  - fy = 60,000 psi
- TYPICAL REINFORCEMENT DETAILS: PROVIDE 3" MIN. CLEAR COVER WHERE CAST AGAINST EARTH, 1 1/2" MIN. CLEAR COVER AGAINST FORMS. LAP ALL REBAR 48 BAR DIAMETERS MIN. (24" FOR #4 BARS) & BEND BARS AND LAP AT CORNERS. PROVIDE 6" HOOK INTO SUPPORTING FOOTINGS WHEN FOOTINGS INTERSECT.
- ALL CONCRETE EXPOSED TO THE WEATHER SHALL NOT HAVE LESS THAN 5% OR MORE THAN 1% AIR ENTRAINMENT.
- ALL FOOTINGS SHALL BEAR BELOW FROST LINE (TYP.) OR 12" MIN IN REGIONS WHERE CODE FROST DEPTH IS NOT APPLICABLE. CONSULT SOILS REPORT OR BUILDING DEPT. FOR MINIMUM DEPTH BELOW GRADE.
- FOOTINGS AND SLABS ON GRADE SHALL BEAR ON VIRGIN SOIL OR 15% COMPACTED FILL (U.N.O.)
- PROVIDE CONTROL JOINTS AT ALL INSIDE CORNERS OF SLAB EDGES, AND OTHER LOCATIONS WHERE SLAB CRACKS ARE LIKELY TO DEVELOP.
  - JOINTS SHALL BE LOCATED @ 10'-0" O.C. (RECOMMENDED) OR 15'-0" O.C. (MAXIMUM)
  - JOINT GRID PATTERN SHALL BE AS CLOSE TO SQUARES AS POSSIBLE (1:1 RATIO), WITH A MAXIMUM OF 1:1.5 RATIO
  - CONTROL JOINTS SHALL NOT BE INSTALLED IN STRUCTURAL SLABS
- DIMENSIONS BY OTHERS, BUILDER TO VERIFY.
- BUILDER TO PROVIDE SUBTERRANEAN TERMITE PROTECTION MEETING THE REQUIREMENTS OF R301 OR LOCAL CODE REQUIREMENTS
- CRANLSPACE/BASEMENT WALLS SHALL BE BRACED, PRIOR TO BACKFILLING, BY EITHER ADEQUATE TEMPORARY BRACING OR INSTALLATION OF FIRST FLOOR DECK.
- CRANLSPACE/BASEMENT WALL DESIGN IS BASED ON BACKFILL SOIL CLASSIFICATIONS OF GM, GP, SM, SP (30 pcf) OR GM, GC, SM, SM-SC, ML (45 pcf). IF SC, ML-CL, OR CL (60 pcf) SOIL IS ENCOUNTERED ON SITE, CONTACT MULHERN & KULP FOR FURTHER EVALUATION OF FOUNDATION DESIGN.
- CONCRETE MASONRY UNITS (CMU) SHALL BE ASTM C40 WITH A MIN. COMPRESSIVE STRENGTH OF 1900 psi (Fm=1500 psi). MORTAR SHALL BE ASTM C270, TYPE S. CMU DESIGN PER TMS 402/602.
- CMU FOUNDATION WALLS SHALL HAVE 'DUR-O-WALL' HORIZONTAL JOINT REINFORCEMENT (OR EQUAL) - 9 GA. MINIMUM @ 16" O.C.
- PROVIDE 2x6 x 16" LONG P.T. PLATE ON TOP OF ALL CRANL SPACE PIERS. TOP COURSE OF PIERS SHALL BE SOLID MASONRY OR FILLED SOLID.
- PROVIDE 2x6 P.T. PLATE ON INTERIOR CRANL SPACE WALLS, FASTENED PER ANCHORAGE SPECIFICATION NOTED ABOVE.
- BASEMENT FOUNDATION WALL DESIGN BASED ON:
  - 9' OR 10' HEIGHT (SEE PLAN)
  - ACTUAL WALL WIDTHS ASSUMED FOR DESIGN, NOMINAL WIDTHS SHALL NOT BE USED.
- PROVIDE (2) #5 BARS AROUND ALL SIDES OF OPENINGS IN CONCRETE BSMT. FND. WALL WITH 2" CLEAR. REINFORCEMENT SHALL EXTEND 12" PAST CORNER OF OPENING IN ALL DIRECTIONS.
  - FOR OPENINGS UP TO 36", PROVIDE MINIMUM 10" CONCRETE DEPTH OVER OPENING OR (3)2x10 w/ (2)2x6 JACK STUDS, U.N.O.
  - LARGER OPENINGS SHALL BE PER PLAN.

**EXTERIOR & SHEAR WALL SHEATHING SPECIFICATIONS**

THIS MODEL HAS BEEN DESIGNED TO RESIST LATERAL FORCES RESULTING FROM: **115 MPH WIND IN 2018 NCSBC:RC** (115 MPH WIND SPEED IN ASCE 7-10 WIND MAP, PER NCSBC R301.2.1.1) EXP. B & SEISMIC CAT. A/B.

THE ENGINEERED DESIGN WAS COMPLETED PER 2015 IBC (SECTION 1609) & ASCE 7-10, AS PERMITTED BY R301.3 OF THE 2018 NCSBC. DESIGN WIND UPLIFT LOADS HAVE BEEN CALCULATED UTILIZING ASCE 7-10 (ACCEPTED ENGINEERING PRACTICE) AS ALLOWED PER 2018 NCSBC:RC SECTION R802.11.1.1. THIS MODEL HAS BEEN DETAILED WHERE REQUIRED & ENGINEERED TO RESIST THE WIND UPLIFT LOAD PATH PER SECTIONS R602.3.5 & R802.11.

**EXT. WALL SHEATHING SPECIFICATION**

- 7/16" OSB OR 15/32" PLYWOOD:
  - FASTEN SHEATHING w/ 2 1/8" x 0.131 NAILS @ 6" O.C. AT EDGES @ 12" O.C. IN THE PANEL FIELD. (TYP. U.N.O.)
- ALL SHEATHING PANELS SHALL BE ORIENTED VERTICALLY (LONG DIRECTION PARALLEL TO STUDS) AND INSTALLED FULL HEIGHT OF SHEAR WALL - OR 2x HORIZONTAL BLOCKING SHALL BE PROVIDED TO SUPPORT ALL UNSUPPORTED PANEL EDGES & EDGE FASTENING.
- ALL EXT. WALLS SHALL BE CONTINUOUSLY SHEATHED AND ARE CONSIDERED SHEAR WALLS.
- 3" O.C. EDGE NAILING
- AT DESIGNATED AREAS - FASTEN PANEL EDGES OF WOOD STRUCTURAL WALL SHEATHING TO FRAMING w/ 2 1/8" x 0.131 NAILS @ 3" O.C. NO STAPLE ALTERNATIVE AVAILABLE AT THIS SPEC. ALL SHEATHING PANELS SHALL BE ORIENTED VERTICALLY (LONG DIRECTION PARALLEL TO STUDS) AND INSTALLED FULL HEIGHT OF SHEAR WALL - OR 2x HORIZONTAL BLOCKING SHALL BE PROVIDED TO SUPPORT UNSUPPORTED PANEL EDGES AND 3" O.C. EDGE FASTENING.

**NOTES**

- SEE CONNECTION SPECIFICATIONS CHART FOR STANDARD SHEAR TRANSFER DETAILING. IF ADDITIONAL CAPACITY IS REQUIRED BY DESIGN, IT WILL BE SPECIFICALLY NOTED ON PLAN.
- REFER TO DETAIL SHEET.
- "NUMBERED" DETAILS ARE REFERENCED ON PLAN.
- DESIGN ASSUMES 16" O.C. MAX. STUD SPACING, U.N.O.
- DESIGN ASSUMES ALL INTERIOR SHEAR WALLS AND EXTERIOR WALLS ARE CONTINUOUS SHEATHED ABOVE AND BELOW OPENINGS.
- WHERE PANELS ARE APPLIED TO BOTH FACES OF WALL, PANEL JOINTS SHALL BE OFFSET TO FALL ON DIFFERENT FRAMING MEMBERS.
- ALL STRUCTURAL PANELS ARE TO BE DIRECTLY APPLIED TO STUD FRAMING.
- PRE-MANUFACTURED PANELIZED WALLS: FASTEN TOGETHER END STUDS OF WALL PANELS SHEATHED w/ OSB OR PLYWOOD AS FOLLOWS:
  - P1 SHEAR PANELS - 3" x 0.120" NAILS @ 6" o.c.
  - P3 SHEAR PANELS - 3" x 0.120" NAILS @ 4" o.c.
- INDICATES LOCATION AND EXTENT OF SHEARWALL WHICH REQUIRES SHEATHING AND/OR FASTENING SPECIFICATIONS BEYOND THAT OF STANDARD CONSTRUCTION

**GENERAL STRUCTURAL NOTES**

**FLOOR FRAMING**

- TRUSSES SHALL BE DESIGNED BY MANUF. TO MEET OR EXCEED L/480 LIVE LOAD DEFLECTION CRITERIA. (EXCLUDES STONE/MARBLE OR WET BED CONSTRUCTED FLOORS - CONTACT MK FOR EXCLUDED FLOOR DESIGNS)
- PER THE GUIDELINES OF THE TILE COUNCIL OF NORTH AMERICA (TCNA HANDBOOK), IT SHALL BE THE FLOOR FINISH INSTALLER'S RESPONSIBILITY TO VERIFY THAT THE FINISHES TO BE INSTALLED MATCH THE DESIGN CRITERIA NOTED ABOVE (UNDER "DESIGN LOADS").
- METAL HANGERS SHALL BE SPECIFIED BY MANUFACTURER, U.N.O.
- FLOOR SHEATHING SHALL BE 23/32" A.P.A. RATED 'STURD-I-FLOOR' 24" O.C., EXPOSURE I (OR APPROVED EQUAL) WITH TONGUE AND GROOVE EDGES. FASTEN TO FRAMING MEMBERS w/ GLUE AND:
  - 2 1/4" x 0.131" NAILS @ 6" o.c. @ PANEL EDGES @ 12" o.c. FIELD.
  - 2 3/8" x 0.120" NAILS @ 4" o.c. @ PANEL EDGES @ 6" o.c. FIELD.
  - 2 3/8" x 0.131" NAILS @ 3" o.c. @ PANEL EDGES @ 6" o.c. IN FIELD.
- PROVIDE 1 1/4" RIM BOARD @ ALL DECK LEDGER LOCATIONS. SEE PLANS OR DETAILS FOR LEDGER CONNECTION.

**ROOF FRAMING**

- ROOF SHEATHING SHALL BE 7/16" A.P.A. RATED SHEATHING 24/16 EXPOSURE I (OR APPROVED EQUAL). FASTEN TO FRAMING MEMBERS - w/ 2 1/4" x 0.131" NAILS @ 6" o.c. @ PANEL EDGES @ 6" o.c. FIELD. - w/ 2 3/8" x 0.120" NAILS @ 4" o.c. @ PANEL EDGES @ 6" o.c. FIELD. - w/ 2 3/8" x 0.131" NAILS @ 3" o.c. @ PANEL EDGES @ 6" o.c. FIELD.
- WITHIN 48" OF ALL ROOF EDGES, RIDGES, & HIPPS FASTEN ROOF SHEATHING FIELDS PER EDGE NAILING SPEC.
- FASTEN EACH ROOF TRUSS TO TOP PLATE w/ SIMPSON H2.5A HURRICANE CLIP (OR APPROVED EQUAL) @ ALL BEARING POINTS. CLIPS MUST BE INSTALLED ON EXTERIOR FACE OF EXTERIOR WALLS OR THE SAME SIDE AS THE SHEAR WALL SHEATHING.
- ALL ROOF GIRDER TRUSSES AND FLUSH BEAMS WITHIN THE ROOF SYSTEM SHALL BE FASTENED TO THE DOUBLE TOP PLATES AND POST SUPPORT w/ (2) SIMPSON H2.5A CLIPS OR APPR. EQUAL (TYP. U.N.O. ON PLANS)
- TRUSS ALL VALLEY SETS. FASTEN TO TRUSS BELOW w/ SIMPSON H2.5A TIES AT EACH END AND AT EACH TRUSS BETWEEN.
- METAL HANGERS SHALL BE SPECIFIED BY THE MANUFACTURER, U.N.O.
- ERECT AND INSTALL ROOF TRUSSES PER ITCA & TP1'S BC51 I \*GUIDE TO GOOD PRACTICE FOR HANDLING, INSTALLING & BRACING OF METAL PLATE CONNECTED WOOD TRUSSES.\*
- SUPPORT SHORT SPAN ROOF TRUSSES w/ 2x4 LEDGER FASTENED TO FRAMING w/ (2) 3" x 0.120" NAILS @ 16" O.C. (UP TO T' SPAN).

**ADDITIONAL NOTES FOR TRUSS & I-JOIST MANUFACTURER**

- ROOF TRUSS, FLOOR TRUSS AND ENGINEERED JOISTS SHALL BE DESIGNED TO MEET THE DIFFERENTIAL DEFLECTION CRITERIA BELOW, UNLESS NOTED OTHERWISE ON PLAN.
- TRUSSES/JOISTS SHALL BE DESIGNED SO THAT DIFFERENTIAL DEFLECTION BETWEEN ADJACENT PARALLEL TRUSSES/JOISTS OR GIRDER TRUSSES/FLUSH BEAMS DO NOT EXCEED THE FOLLOWING:
    - ROOF TRUSSES: 1/4" DEAD LOAD
    - FLOOR TRUSSES, ATTIC TRUSSES, & I-JOISTS: 1/8" DEAD LOAD
    - FLOOR TRUSSES & ATTIC TRUSSES ADJACENT TO FLOOR FRAMING BY OTHERS: LIMIT ABSOLUTE TRUSS DEFLECTION TO 3/16" DEAD LOAD. (NOT DIFFERENTIAL DEFLECTION)

**LIST OF ABBREVIATIONS**

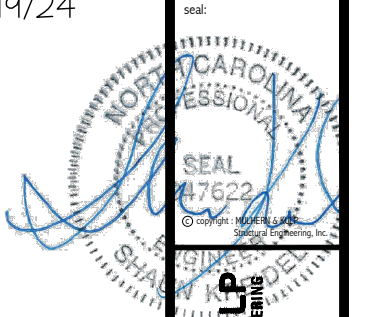
•B.F.	BALLOON-FRAMED BEAM	•HDR	HEADER
•BM.	BOTTOM BEARING	•INT.	INTERIOR
•BOT.	BOTTOM BEARING	•J	JACK STUD
•BRG.	BEARING	•J.T.	JACK TRUSS
•B.J.A.	BEARING WALL ABOVE	•K	KING STUD
•CANT'D	CANTILEVERED	•MANUF.	MANUFACTURER
•CONC.	CONCRETE	•MAX.	MAXIMUM
•CONT.	CONTINUOUS	•MIN.	MINIMUM
•DBL.	DOUBLE	•N.T.S	NOT TO SCALE
•DIM.	DIMENSION	•OPT.	OPTIONAL
•D.J.	DECK JOISTS	•P.A.	POST ABOVE
•EA.	EACH	•P.T.	PRESSURE TREATED
•EQ.	EQUAL	•PKT	POCKET
•EXT.	EXTERIOR	•REQ'D	REQUIRED
•E.J.	EACH WAY	•R.T.	ROOF TRUSS
•F.T.	FLOOR TRUSS	•SCHED.	SCHEDULE
•FND.	FOUNDATION	•SIM.	SIMILAR
•FTG.	FOOTING	•STRUCT.	STRUCTURAL
•G.T.	GIRDER TRUSS	•T.O.F	TOP OF FOOTING
•HD	HOLDOWN	•TYP.	TYPICAL

**GENERAL STRUCTURAL NOTES**

- DESIGN IS BASED ON 2018 NORTH CAROLINA STATE RESIDENTIAL CODE.
- WOOD FRAME ENGINEERING IS BASED ON NDS, 'NATIONAL DESIGN SPECIFICATION FOR WOOD CONSTRUCTION' - LATEST EDITION.
- MODEL IS CONSIDERED AS 'FULLY ENCLOSED'. OPENING PROTECTION PER BUILDER (MINIMUM STRUCTURAL PANELS PER CODE)
- DESIGN LOADS:
  - ROOF: LIVE = 20 PSF, DEAD = 17 PSF ATTIC = 20 PSF AT HT. > 42' LOAD DURATION FACTOR = 1.25
  - FLOOR: LIVE = 40 PSF (30 PSF AT SLEEPING AREAS) DEAD = 15 PSF (10 PSF T.G., 5 PSF B.C.) (TRUSSES) = 10 PSF (1-JOISTS/5AMN) (ADDL. 10 PSF AT TILE)
  - WIND: S115 MPH, EXPOSURE B
  - SEISMIC: DESIGN CATEGORY A/B

**GENERAL FRAMING**

- ALL TYP. NAIL FASTENER REQUIREMENTS ARE NOTED IN STANDARD CONNECTIONS TABLE (IRC TABLE R602.3.1) OR ON PLANS. ALL NAILS SPECIFIED ARE MIN DIAMETER AND LENGTH REQUIRED FOR CONNECTION. ALL HANGER NAILS SHALL BE INSTALLED PER MANUFACTURER'S REQUIREMENTS FOR MAX CHARTED CAPACITY. NOTE: HANGERS USE COMMON NAIL DIAMETERS NOT TYPICAL FRAMING GUN NAILS.
- EXT. & INT. BRG./SHEAR WALLS SHALL BE 2x4 OR 2x6 (AS SHOWN ON PLANS) @ 16" O.C. SPP/SP STUD GRADE LUMBER, OR BETTER, U.N.O.
  - WALLS OVER 12' TALL SHALL BE PER PLAN.
- ALL INTERIOR BEARING WALLS ARE ASSUMED TO BE SHEATHED w/ GYP WALL BOARD (ONE SIDE MIN) OR PROVIDE MID HT. BLOCKING.
- ALL HEADERS, BEAMS & OTHER STRUCTURAL MEMBERS SHALL BE SPRUCE-PINE-FIR #2 (SPP) OR SOUTHERN PINE #2 (SP) LUMBER, OR BETTER. SUPPORT ALL HEADERS/ BEAMS w/ (1)2x JACK STUD & (1)2x KING STUD, MINIMUM.
  - THE NUMBER OF STUDS SPECIFIED AT A SUPPORT INDICATES THE NUMBER OF JACK STUDS REQUIRED, U.N.O.
- ALL NON-BEARING INTERIOR STUD WALLS SHALL BE CONSTRUCTED WITH 2x STUD GRADE MEMBERS SPACED @ 16" O.C. (MAX, U.N.O.)
  - SEE 'NON-BEARING HEADER SCHEDULE' HEADER SIZES IN NON-LOAD BEARING WALLS
- ALL FRAMING LUMBER SHALL BE DRIED TO 15% MC (KD-15).
- ENGINEERED LUMBER BEAMS TO MEET OR EXCEED THE FOLLOWING:
  - 'LVL' - Fb=2600 psi; Fv=285 psi; E=2.0x10^6 psi
- ENGINEERED LUMBER POSTS TO MEET OR EXCEED THE FOLLOWING:
  - 'LVL' - Fb=2400 psi; FcH=2500 psi; E=1.8x10^6 psi
- FOR 2 & 3 PLY BEAMS OF EQUAL 1 1/4" MAX. WIDTH, FASTEN PLYS TOGETHER WITH 3 ROWS OF 3"x0.120" NAILS @ 8" O/C OR 2 ROWS 1/2"x3/8" SIMPSON SDS SCREWS (OR 3/2" TRUSSLOK SCREWS) @ 16" O/C. ALT. FASTENING SPEC FOR 3 PLY BEAMS ONLY: FASTEN PLYS TOGETHER WITH 2 ROWS OF 1/2" DIA. THRU BOLTS @ 16" O.C. USE A MINIMUM OF 4 ROWS (NAILS/SCREWS) OR 3 ROWS (BOLTS) FOR BEAM DEPTHS OF 14" OR GREATER. APPLY NAIL/SCREW FASTENING AT BOTH FACES FOR 3-PLY CONDITION. LOCATE TOP & BOTTOM FASTENERS 2" FROM EDGE. SOLID 3 1/2" OR 5 1/4" BEAMS ARE ACCEPTABLE. USE 2 ROWS OF NAILS FOR 2x6 & 2x8 MEMBERS.
- FOR 4 PLY BEAMS OF EQUAL 1 1/4" MAX. WIDTH, FASTEN PLYS TOGETHER WITH 3 ROWS OF 1/2"x6" SIMPSON SDS SCREWS (OR 6 3/4" TRUSSLOK SCREWS) @ 16" O/C OR 2 ROWS OF 1/2" DIA. THRU BOLTS @ 16" O.C. USE A MINIMUM OF 4 ROWS (SCREWS) OR 3 ROWS (BOLTS) FOR BEAM DEPTHS OF 14" OR GREATER. APPLY SCREW FASTENING AT BOTH FACES (ONE SIDE ONLY FOR TRUSSLOK SCREWS). LOCATE TOP AND BOTTOM FASTENERS 2" FROM EDGE. A SOLID 1" BEAM IS ACCEPTABLE.
- REFER TO IRC FASTENING SCHEDULE TABLE R602.3.1) FOR ALL CONNECTIONS, TYP. U.N.O.
- FASTEN ALL METAL CONNECTORS (I.E. HANGERS, CLIPS, ETC) PER MANUFACTURER'S SPECIFICATIONS FOR MAXIMUM TABLE LOAD VALUE U.N.O.
- PROVIDE SOLID BLOCKING IN FLOOR SYSTEM UNDER ALL POSTS CONTINUOUS TO FND/BEARING. BLOCKING TO MATCH POST ABOVE.
- CORROSION NOTES:
  - BUILDER RESPONSIBLE TO DETERMINE CORROSION-RESISTANCE REQUIREMENTS AND COMPATIBILITY OF HARDWARE, FASTENERS AND CONNECTORS FOR ENVIRONMENTAL EXPOSURE AND IN CONTACT w/ PRESERVATIVE-TREATED WOOD OF ACTUAL FINAL CONDITIONS AND SOURCED MATERIALS. CONTACT LUMBER & HARDWARE SUPPLIERS TO COORD.
- BASEMENT INTERIOR BEARING WALLS & EXTERIOR WALK-OUT BASEMENT WALLS SHALL BE 2x6 @ 16" O.C. SPP OR 2x8, "STUD" GRADE OR BETTER.
- MK SHALL NOT BE RESPONSIBLE FOR ANY ISSUES RESULTING FROM OR RELATED TO ANY DELEGATED ENGINEERED COMPONENTS IF THE OWNER DOES NOT SUBMIT THE COMPONENT SHOP DRAWINGS TO MK FOR A CONFORMANCE REVIEW PRIOR TO FABRICATION, DELIVERY, OR INSTALLATION.



**MULHERN+KULP**  
 REGISTERED PROFESSIONAL ENGINEER  
 300 Beaufort Ave., Building 4 - Asheville, NC 28802  
 P: 754-948-0801 • mku@mulhernkulp.com  
 NC License # C-3825

project number: 192-17012  
 project mgr: SMK  
 issue by: MRG  
 date: 03-24-22

REVISIONS:

date:	initial:

ARCH: v.02.01.00.00



**GENERAL STRUCTURAL NOTES**  
**McDOWELL**  
 WIND SPEED < 115 MPH NORTH CAROLINA

sheat: **SO.0**

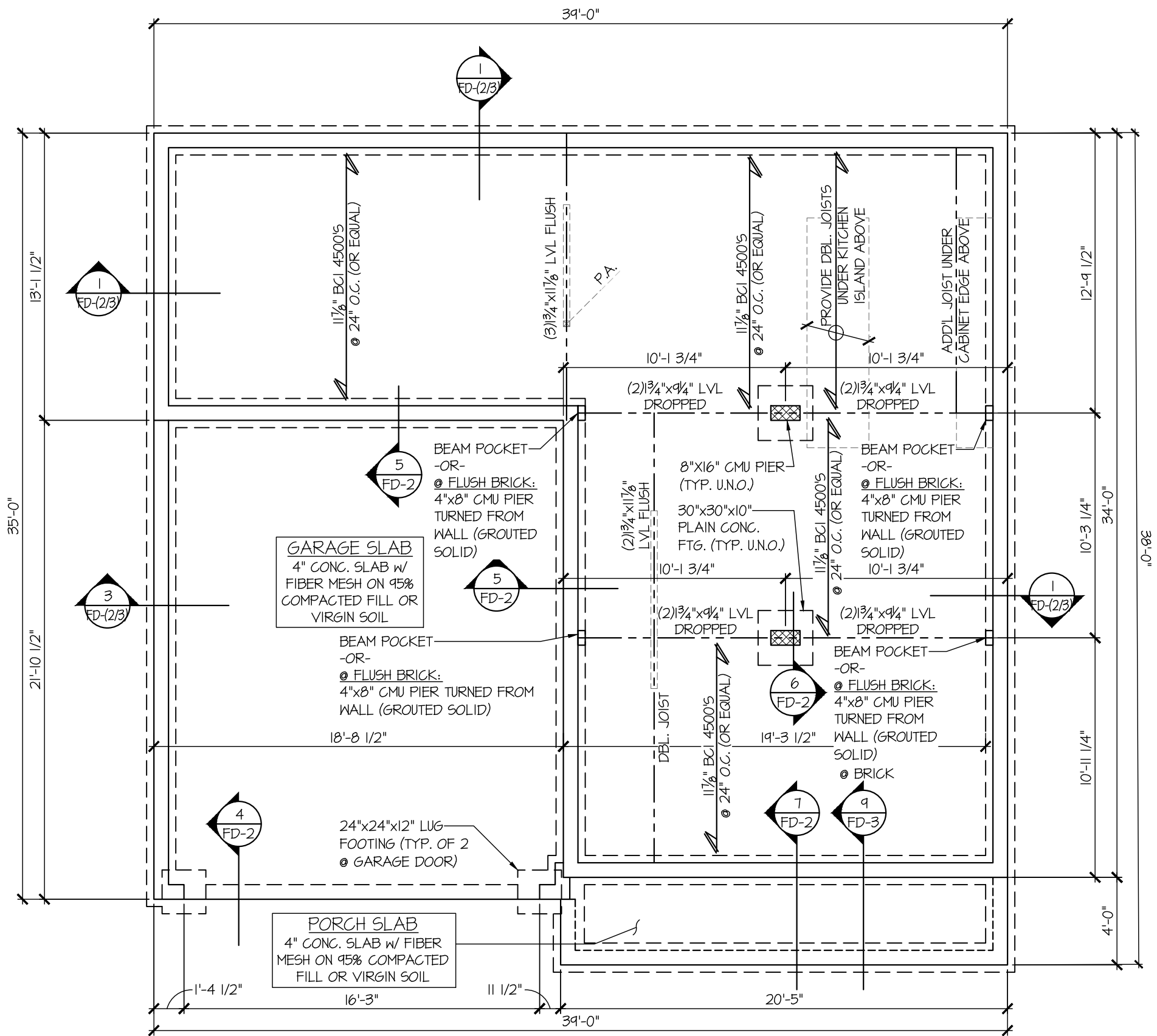


DIMENSIONS REFLECT FACE OF WALL STUDS ABOVE OR CENTERLINES OF CRAWLSPACE PIERS (REFER TO DETAILS FOR FOUNDATION WALL PLACEMENT RELATIVE TO WALL FRAMING ABOVE)

FOUNDATION HARDWARE SCHEDULE  
ELEVATION B

QTY	PRODUCT
15	SIMPSON STRONG-BOLT 2

HARDWARE NOTES:  
 - ALL NAIL HOLES FILLED  
 - ALL COUNTS ESTIMATED  
 - 15 ADDITIONAL STRONG-BOLT 2 ANCHORS INCLUDED FOR MISSED ANCHOR BOLTS



**CRAWLSPACE SLAB FOUNDATION PLAN**  
SCALE: 3/16"=1'-0" ELEV. B

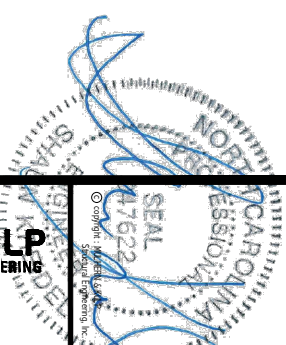
REFER TO S-0.0 FOR TYPICAL STRUCTURAL NOTES & SCHEDULES

SC1.1M  
 CRAWLSPACE FOUNDATION PLAN  
 McDOWELL  
 ELEVATION B  
 WIND SPEED < 115 MPH NORTH CAROLINA



ARCH: 02.10.0000  
 date: \_\_\_\_\_  
 initials: \_\_\_\_\_  
 REVISIONS:  
 project mgr: SMK  
 dwn by: MRG  
 issue date: 03-24-22  
 M&K project number: 192-17012

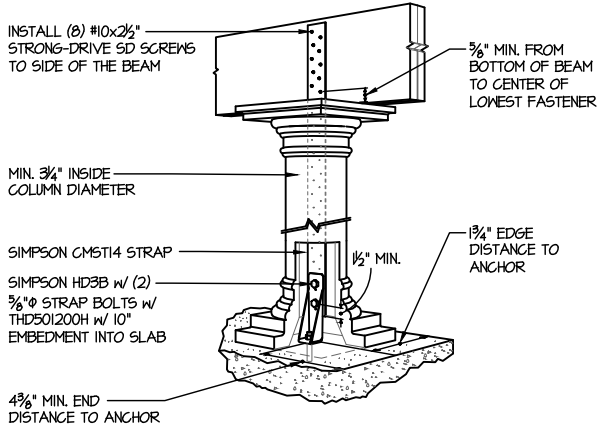
**MULHERN+KULP**  
 RESIDENTIAL STRUCTURAL ENGINEERING  
 300 Shoemaker Ave, Building 4 • Amherst, PA 15802  
 P 724-646-8801 • mulhern+kulp.com  
 NC License # C-3825



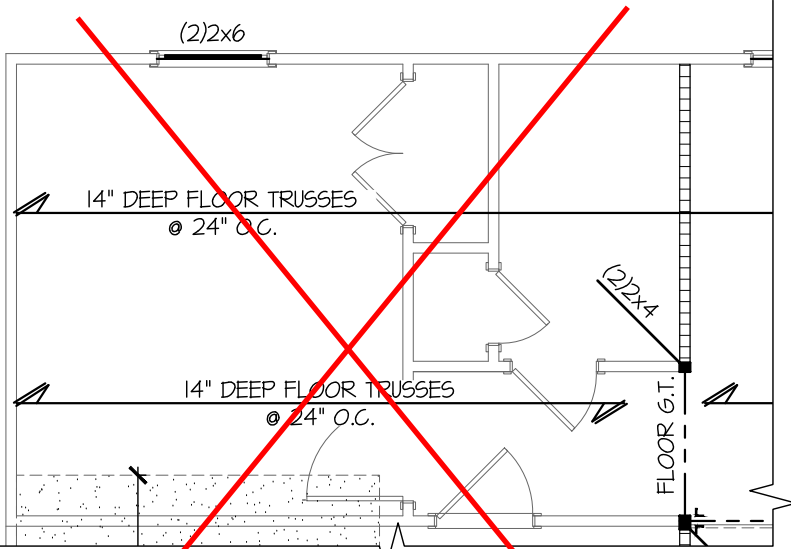
2/19/24

2ND FLOOR HARDWARE SCHEDULE ELEVATION B	
QTY	PRODUCT
13	SIMPSON H2.5A CLIP
3	SIMPSON HD3B HOLDOWN
3	SIMPSON CMST14 STRAP

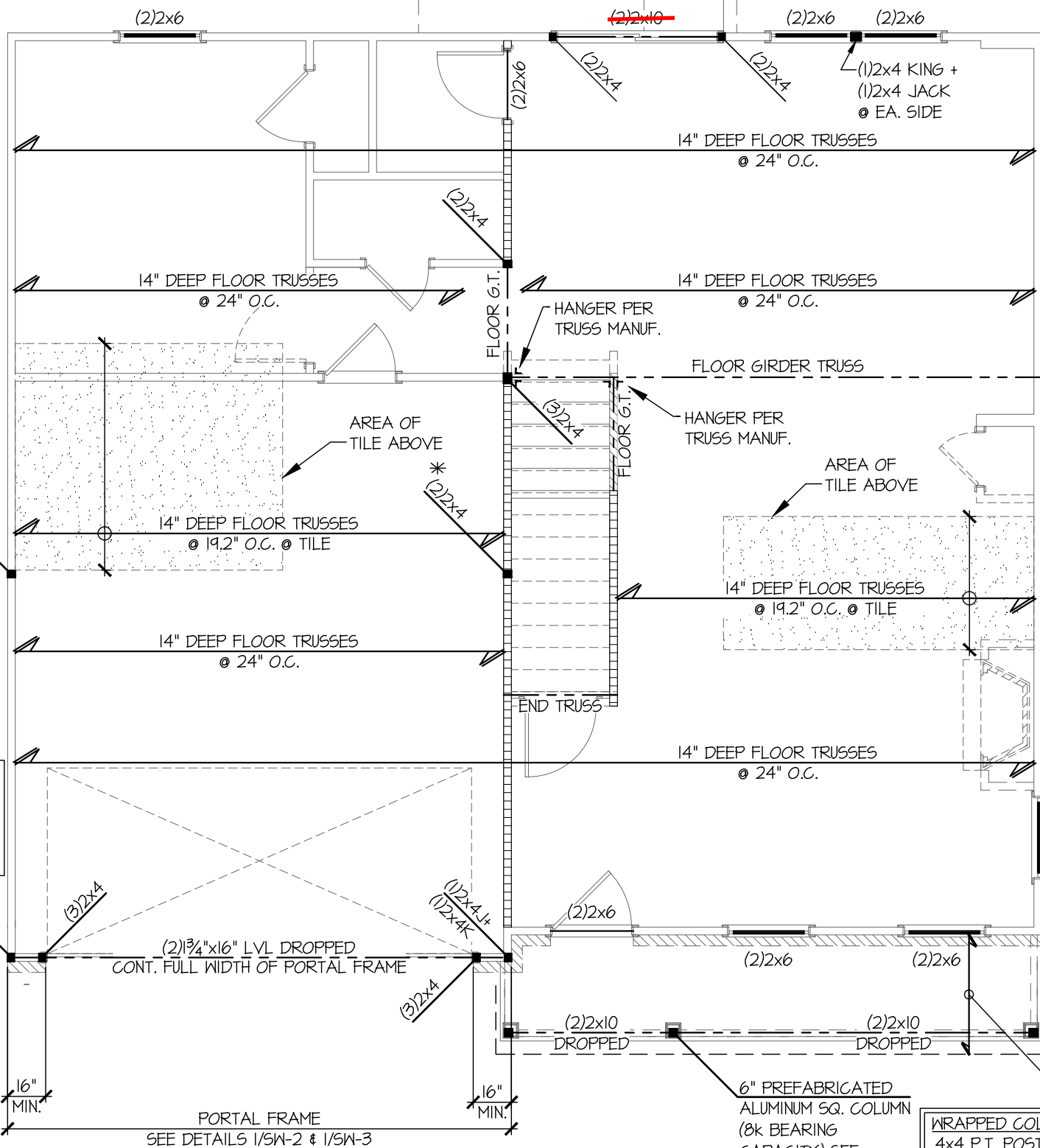
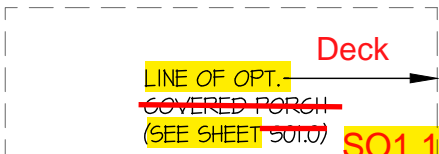
HARDWARE NOTES:  
 - ALL NAIL HOLES FILLED  
 - ALL COUNTS ESTIMATED  
 - HARDWARE COUNT DOES NOT INCLUDE TRUSS TO TRUSS CONNECTIONS



**(A) HOLLOW STRUCTURAL COLUMN UPLIFT DETAIL**  
 NOT TO SCALE - AS REQUIRED



**2 PARTIAL 2ND FLR FRAMING PLAN  
 OPT. GUEST SUITE**  
 SCALE: 3/16\"/>



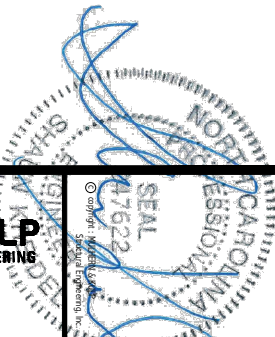
EXT. GARAGE WALLS:  
 - 2x4 SP 'STUD' @ 16\"/>

WRAPPED COLUMN ALTERNATIVE:  
 4x4 P.T. POST W/ SIMPSON LCE4  
 CAP + SIMPSON ABW44Z BASE

**1 2ND FLOOR FRAMING PLAN**  
 SCALE: 3/16\"/>

PLAN DESIGNED FOR  
 8' -OR- 9' PLATE HEIGHT

REFER TO S-O-O FOR  
 TYPICAL STRUCTURAL NOTES  
 & SCHEDULES

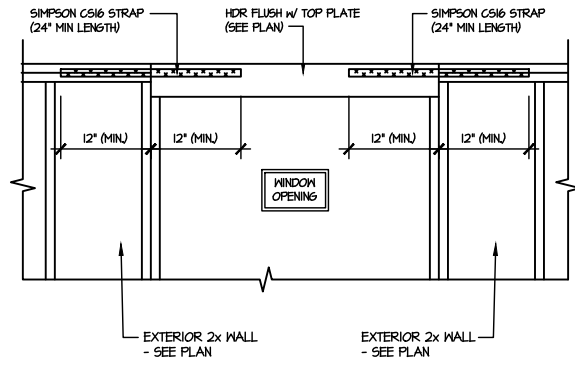


2/19/24

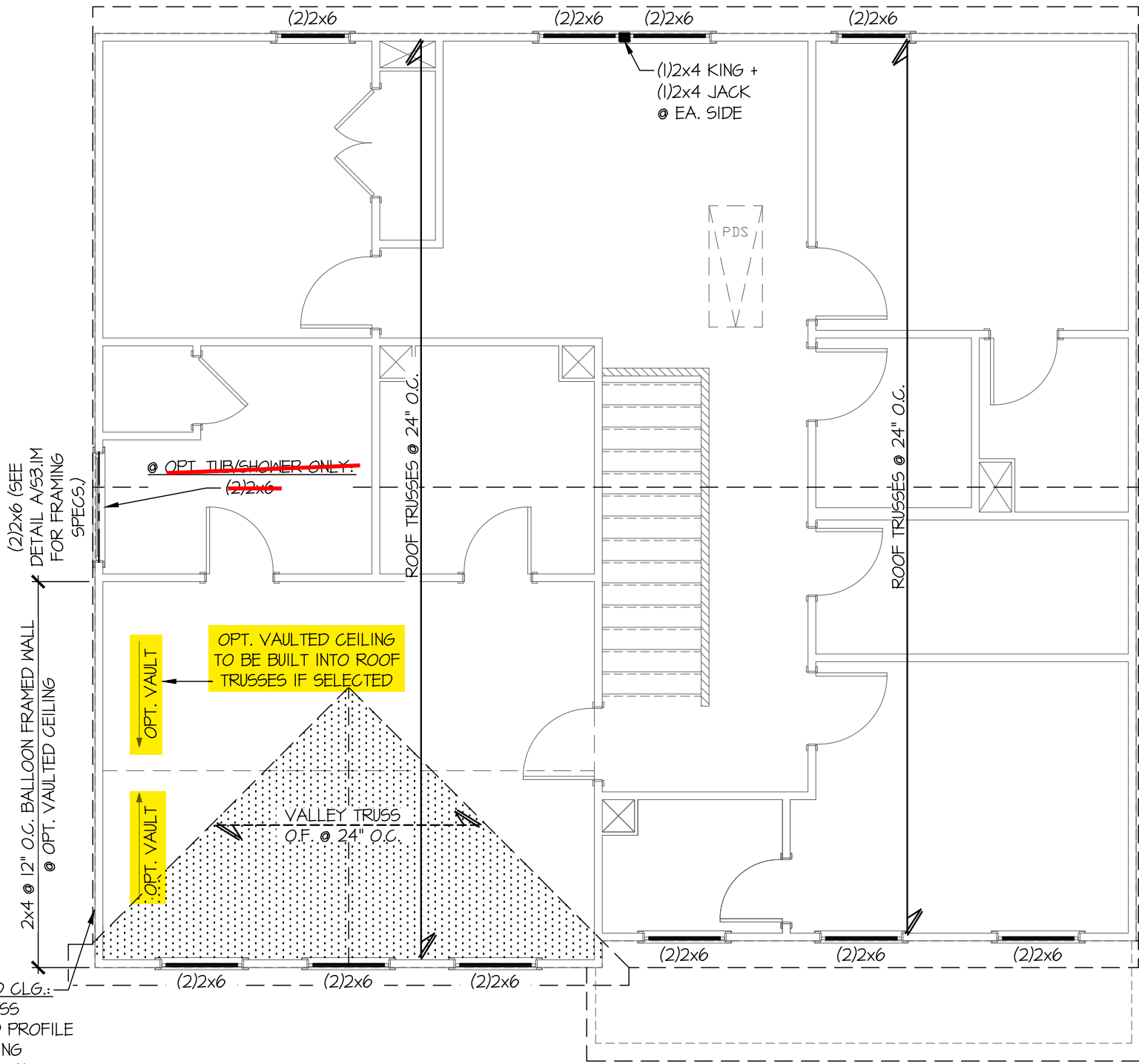
ROOF HARDWARE SCHEDULE  
ELEVATION B

QTY	PRODUCT
52	SIMPSON H2.5A CLIP
2	SIMPSON MTS16 STRAP

HARDWARE NOTES:  
 - ALL NAIL HOLES FILLED  
 - ALL COUNTS ESTIMATED  
 - HARDWARE COUNT DOES NOT INCLUDE TRUSS TO TRUSS CONNECTIONS



**SHEAR TRANSFER DETAIL  
AT UPSET WINDOW**  
 SCALE: 3/8"=1'-0"



OPT. VAULTED CLG.:  
 GABLE END TRUSS  
 BOTTOM CHORD PROFILE TO MATCH CEILING PROFILE. BALLOON FRAME WALL TO UNDERSIDE OF TRUSS

PLAN DESIGNED FOR 8' PLATE HEIGHT

REFER TO S-O.O FOR TYPICAL STRUCTURAL NOTES & SCHEDULES

**1 ROOF FRAMING PLAN**  
 SCALE: 3/16"=1'-0"  
 (2ND FLOOR WALLS SHOWN) ELEV. B

S3.1M

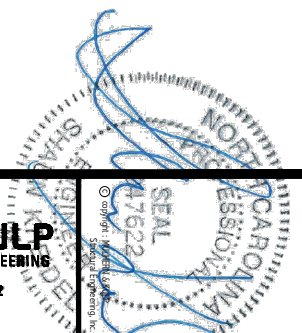
ROOF FRAMING PLAN  
 McDOWELL  
 ELEVATION B  
 WIND SPEED < 115 MPH NORTH CAROLINA



ARCH: 02.01.00.00  
 date: 03-24-22  
 project mgr: SMK  
 drawn by: MRG  
 issue date: 03-24-22  
 REVISIONS:  
 date: \_\_\_\_\_  
 desc: \_\_\_\_\_  
 M&K project number: 192-17012



**MULHERN+KULP**  
 RESIDENTIAL STRUCTURAL ENGINEERING  
 300 Brookside Ave, Building 4 - Amber, PA 15002  
 p 215-616-9001 • msk@mulhernkulp.com  
 NC License # C-3825



2/9/24

ADD'L HARDWARE SCHEDULE FOR OPT. COVERED PORCH

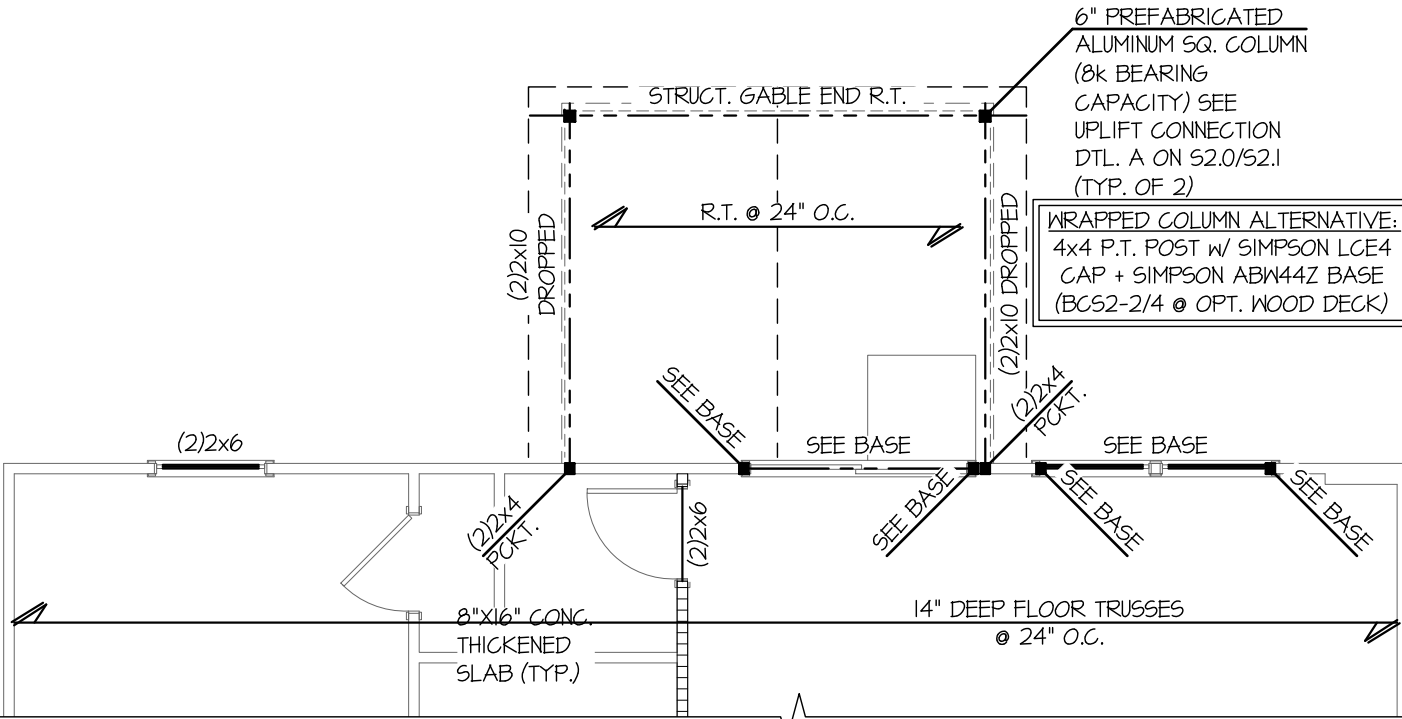
QTY	PRODUCT
17	SIMPSON H2.5A CLIP
2	SIMPSON HD3B HOLDOWN
2	SIMPSON CM5T14 STRAP

ADD'L HARDWARE SCHEDULE FOR OPT. WOOD DECK

QTY	PRODUCT
24	SIMPSON U210 HANGER
4	SIMPSON H3 CLIP
3	SIMPSON LCE4 POST CAP
3	SIMPSON ABW44Z POST BASE
2	SIMPSON BCS2-2/4 BASE

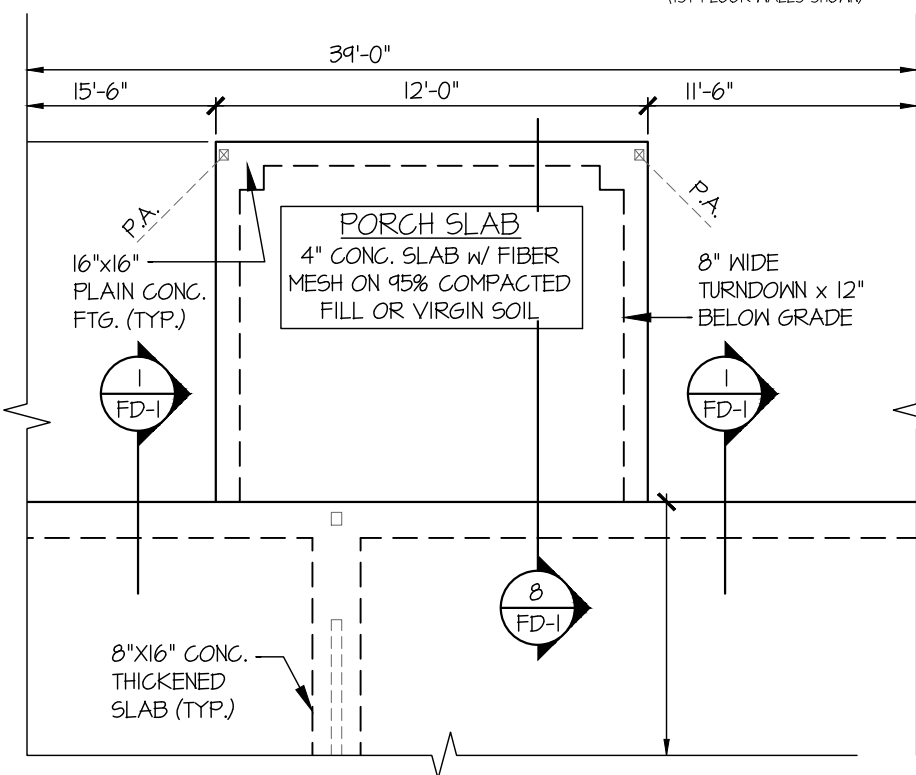
6" PREFABRICATED ALUMINUM SQ. COLUMN (8k BEARING CAPACITY) SEE UPLIFT CONNECTION DTL. A ON S2.0/S2.1 (TYP. OF 2)

WRAPPED COLUMN ALTERNATIVE: 4x4 P.T. POST w/ SIMPSON LCE4 CAP + SIMPSON ABW44Z BASE (BCS2-2/4 @ OPT. WOOD DECK)



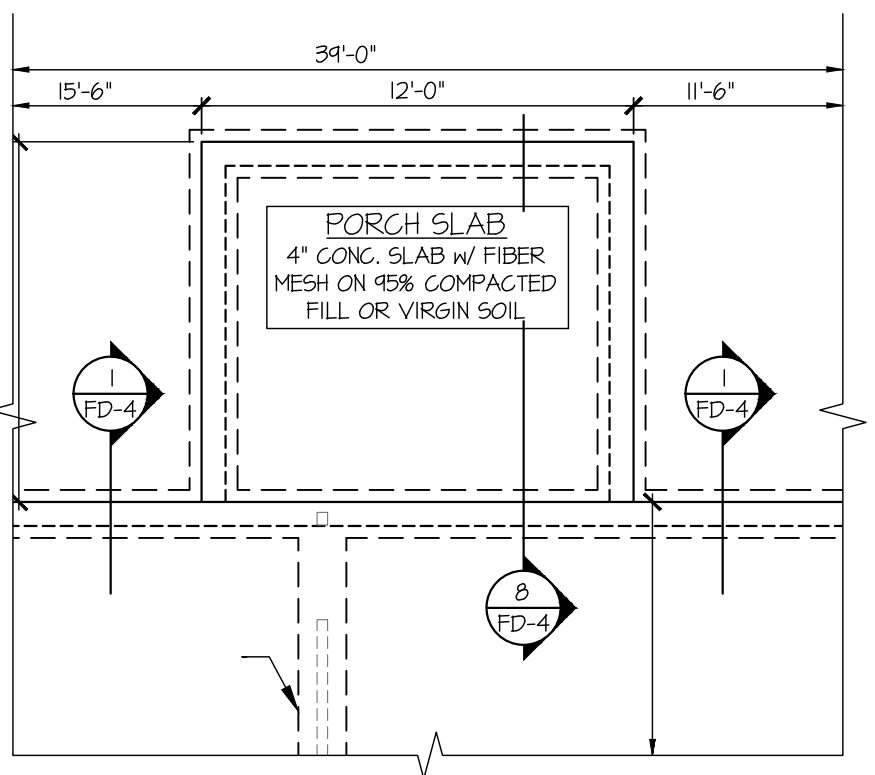
**PARTIAL ROOF FRAMING PLAN  
OPT. COVERED PORCH**

SCALE: 3/16"=1'-0" ALL ELEVS. SIM.  
(1ST FLOOR WALLS SHOWN)



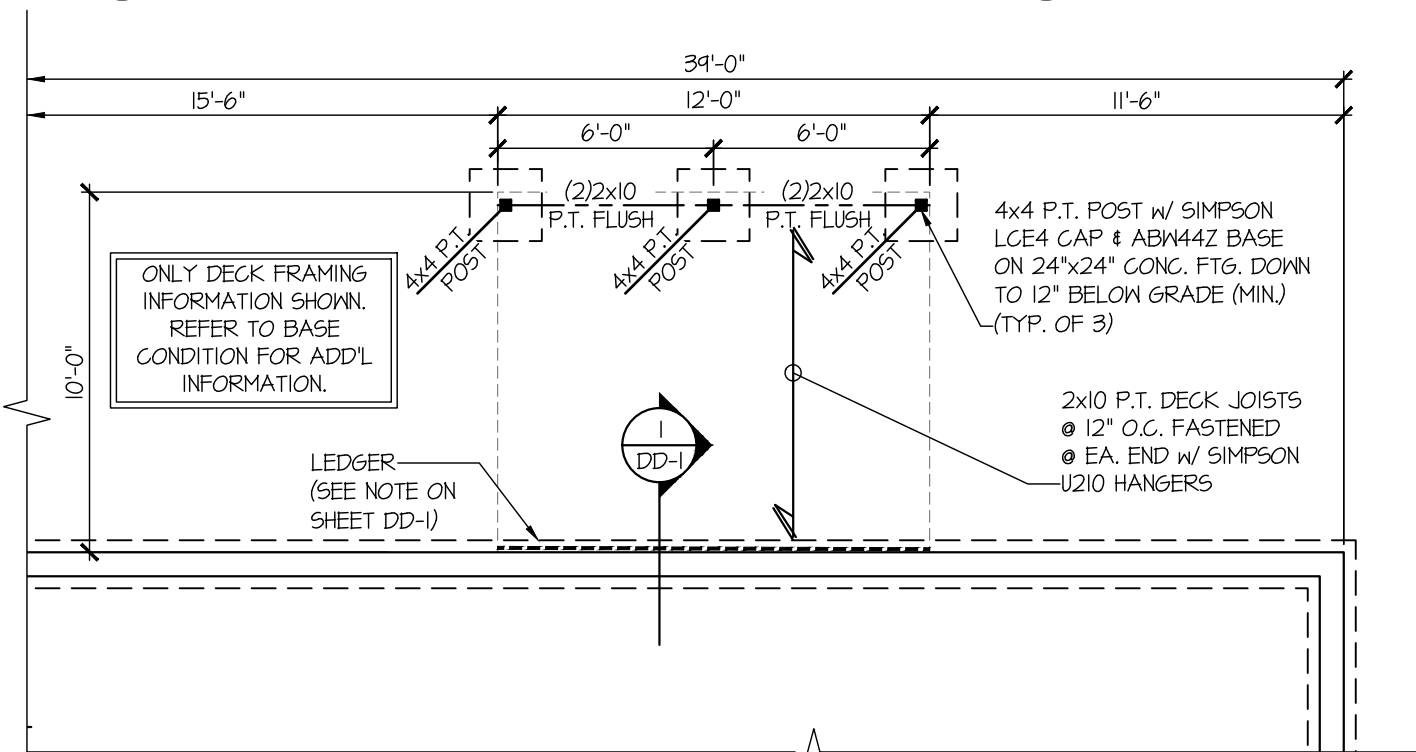
**PARTIAL MONOSLAB FOUNDATION PLAN  
OPT. COVERED PORCH**

SCALE: 3/16"=1'-0" ALL ELEVS. SIM.



**PARTIAL RAISED SLAB FOUNDATION PLAN  
OPT. COVERED PORCH**

SCALE: 3/16"=1'-0" ALL ELEVS. SIM.



**PARTIAL CRAWLSPACE FOUNDATION PLAN  
OPT. WOOD DECK**

SCALE: 3/16"=1'-0" ALL ELEVS. SIM.

REFER TO S-O.O FOR TYPICAL STRUCTURAL NOTES & SCHEDULES

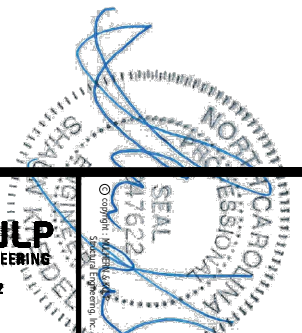
SO1.0M

OPTION FRAMING PLANS  
McDOWELL  
COVERED PORCH / WOOD DECK  
WIND SPEED < 115 MPH NORTH CAROLINA



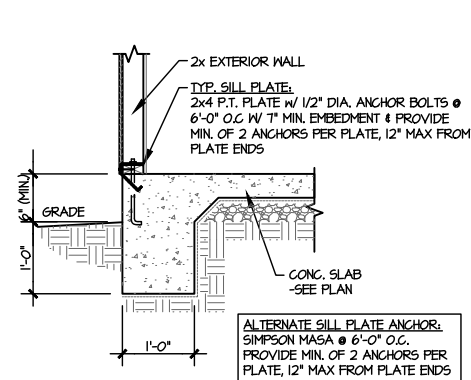
ARCH: 02.01.0000  
date: \_\_\_\_\_  
initials: \_\_\_\_\_  
PROJECT: \_\_\_\_\_  
drawn by: SMK  
issue date: 03-24-22  
MRG  
MVA project number: 192-17012

**MULHERN+KULP**  
RESIDENTIAL STRUCTURAL ENGINEERING  
300 Brookside Ave, Building 4 - Ashter, PA 15002  
p 215-646-3002 - mulhern+kulp.com  
NC License # C-3825

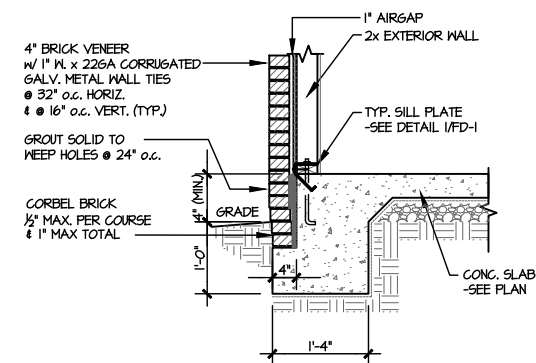


2/19/24

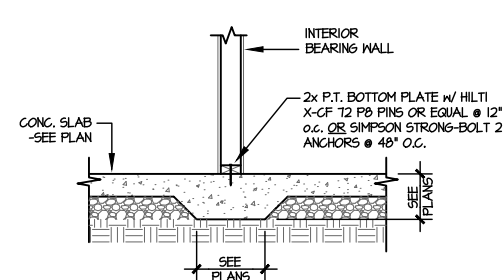




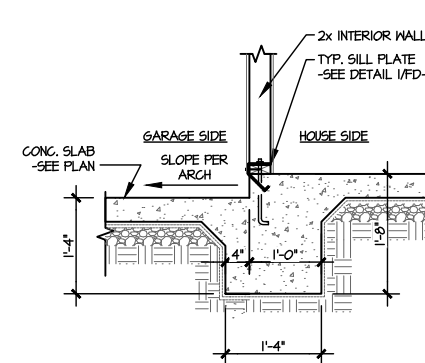
**1** TYPICAL TURNDOWN @ EXT. WALL  
SCALE: 3/8\"/>



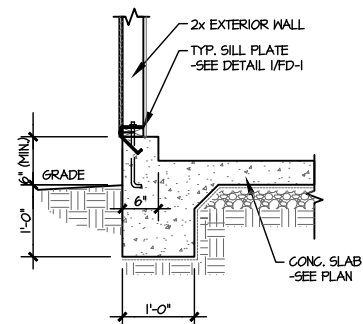
**2** TYPICAL TURNDOWN @ EXT. WALL (BRICK)  
SCALE: 3/8\"/>



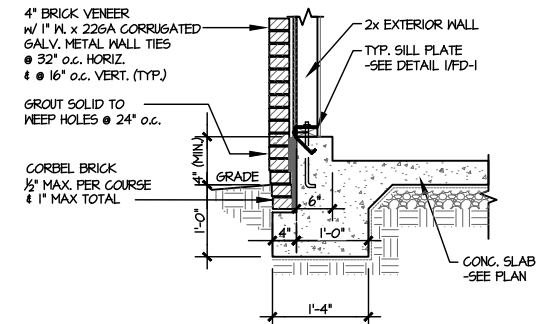
**3** TYPICAL THICKENED SLAB @ INTERIOR BEARING WALL  
SCALE: 3/8\"/>



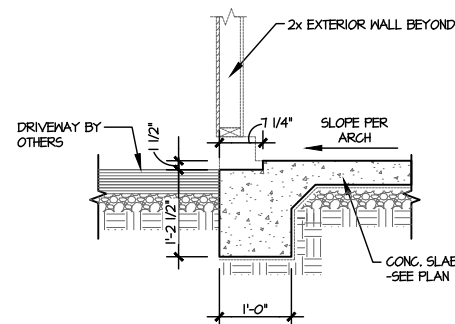
**4** TYPICAL INT. FOOTING BETWEEN HOUSE & GARAGE  
SCALE: 3/8\"/>



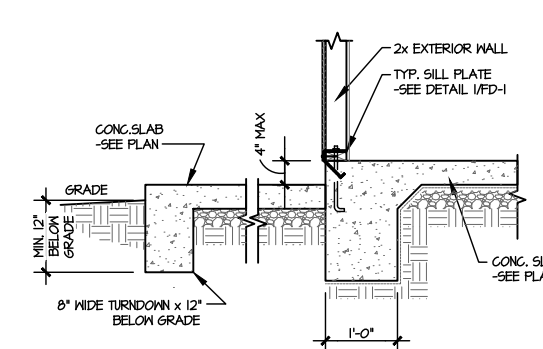
**5** TYPICAL TURNDOWN @ EXT. GARAGE WALL  
SCALE: 3/8\"/>



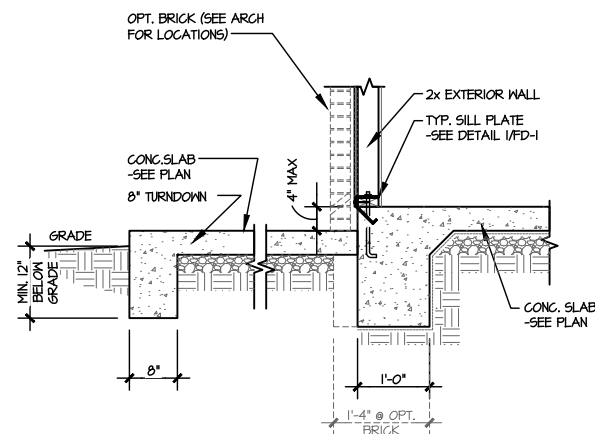
**6** TYPICAL TURNDOWN @ EXT. GARAGE WALL (BRICK)  
SCALE: 3/8\"/>



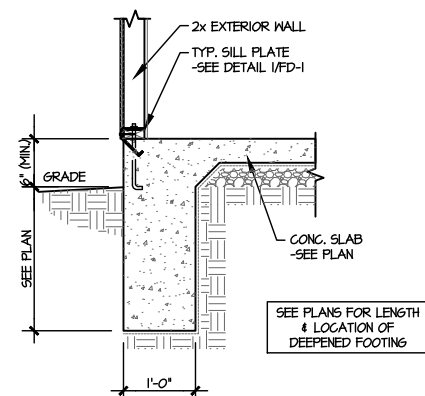
**7** GARAGE OPENING  
SCALE: 3/8\"/>



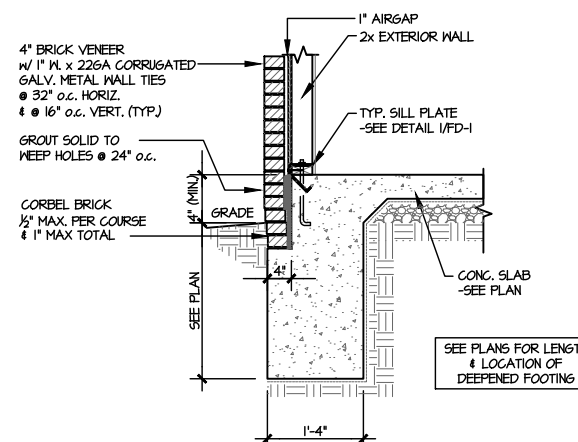
**8** TYPICAL TURNDOWN @ PATIO/PORCH  
SCALE: 3/8\"/>



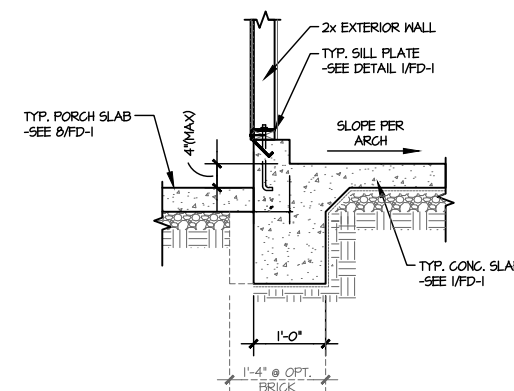
**9** TYPICAL TURNDOWN @ PATIO/PORCH (BRICK)  
SCALE: 3/8\"/>



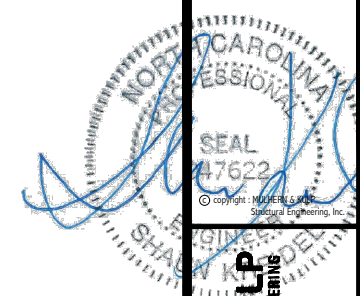
**10** TYPICAL TURNDOWN W/ DEEPEMED FTGS. @ EXT. WALL  
SCALE: 3/8\"/>



**11** TYPICAL TURNDOWN @ EXT. WALL (BRICK)  
SCALE: 3/8\"/>



**12** TYPICAL TURNDOWN @ COVERED PORCH/ATTACHED GARAGE  
SCALE: 3/8\"/>



**MULHERN+KULP**  
RESIDENTIAL STRUCTURAL ENGINEERING  
300 Riverside Ave., Building 4 - Asheville, NC 28802  
919-252-9465  
NC License # C-3825

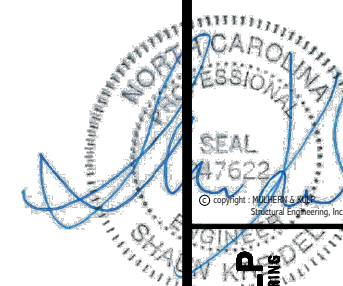
MS&K project number: 192-17012  
project mgr: SMK  
drawn by: MRG  
issue date: 03-24-22

REVISIONS:  
date: initial:



FOUNDATION DETAILS  
McDOWELL  
WIND SPEED < 115 MPH NORTH CAROLINA

sheet: **FD-1**



**MULHERN+KULP**  
RESIDENTIAL STRUCTURAL ENGINEERING  
300 Riverside Ave., Building 4 - Asheville, NC 28802  
919-252-9888 • mulhern+kulp.com  
NC License # C-3825



MSK project number: 192-17012  
project mgr: SMK  
drawn by: MRG  
issue date: 03-24-22

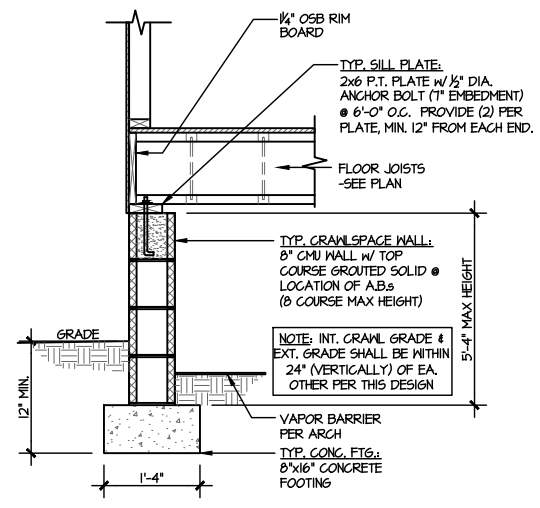
REVISIONS:  
date: initial:

ARCH: v.02.01.00.00



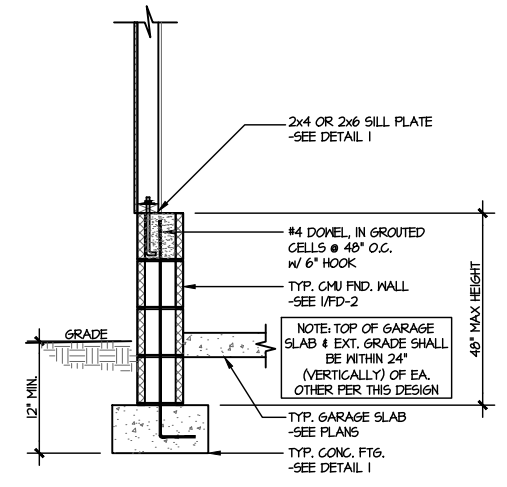
FOUNDATION DETAILS  
McDOWELL  
WIND SPEED < 115 MPH NORTH CAROLINA

sheet: **FD-2**

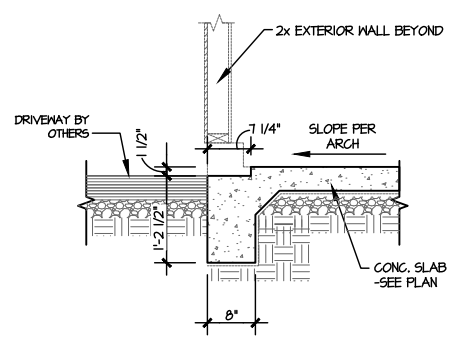


**1** TYPICAL CRAWLSPACE FOUNDATION  
SCALE: 3/8"=1'-0"

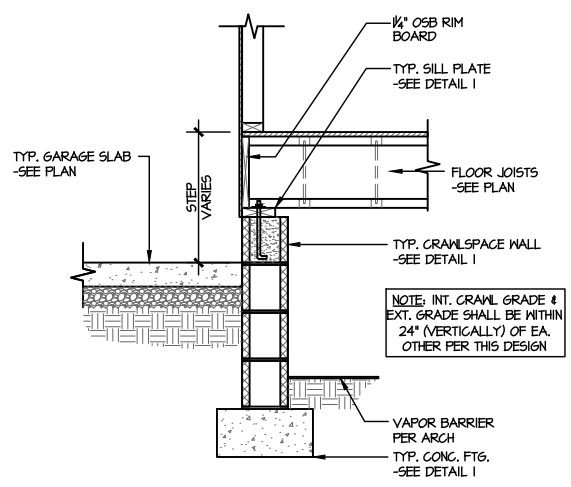
**2** NOT USED  
SCALE: 3/8"=1'-0"



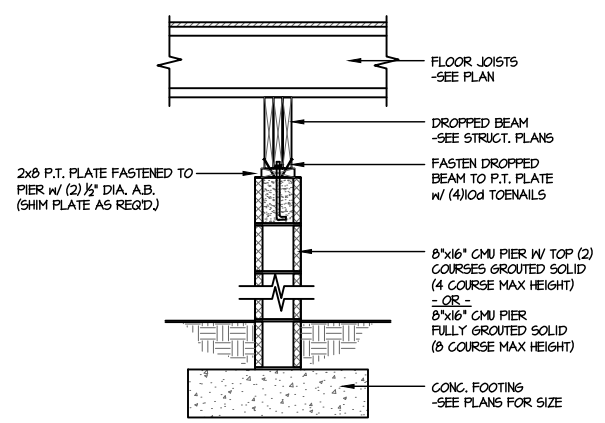
**3** TYPICAL PERIMETER FOOTING @ EXTERIOR GARAGE WALL  
SCALE: 3/8"=1'-0"



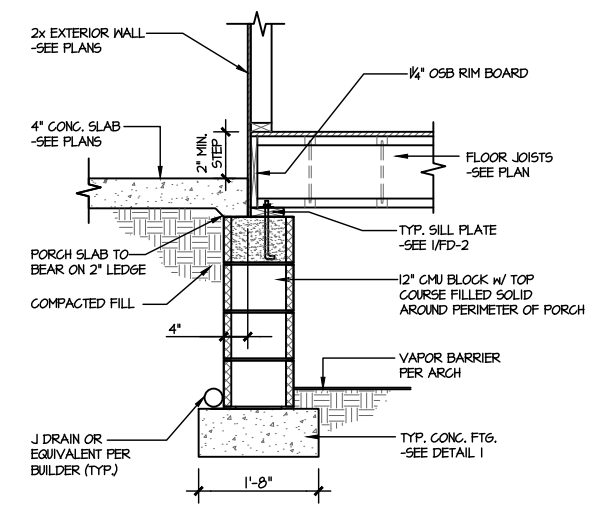
**4** TYPICAL TURNDOWN FOOTING AT EXTERIOR GARAGE APRON  
SCALE: 3/8"=1'-0"



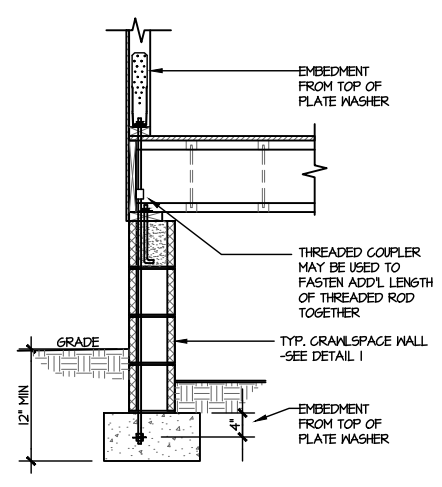
**5** TYPICAL CRAWLSPACE FOUNDATION @ INTERIOR GARAGE WALL  
SCALE: 3/8"=1'-0"



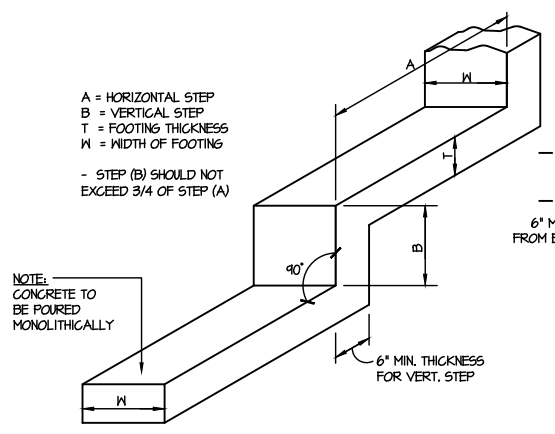
**6** TYPICAL CRAWLSPACE FOUNDATION @ INTERIOR PIER  
SCALE: 3/8"=1'-0"



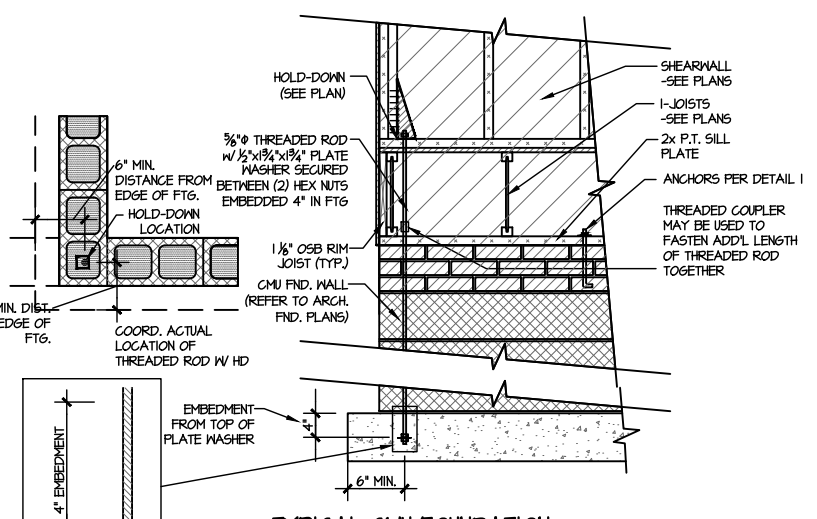
**7** TYPICAL CRAWLSPACE FOUNDATION @ PORCH SLAB  
SCALE: 3/8"=1'-0"



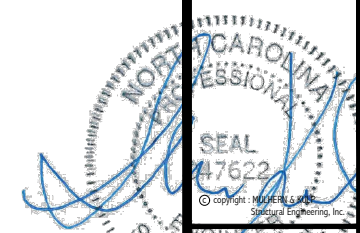
**A** TYPICAL CRAWLSPACE FOUNDATION HOLD-DOWN INSTALLATION  
SCALE: 3/8"=1'-0"  
w/ STONE VENEER OR SIDING



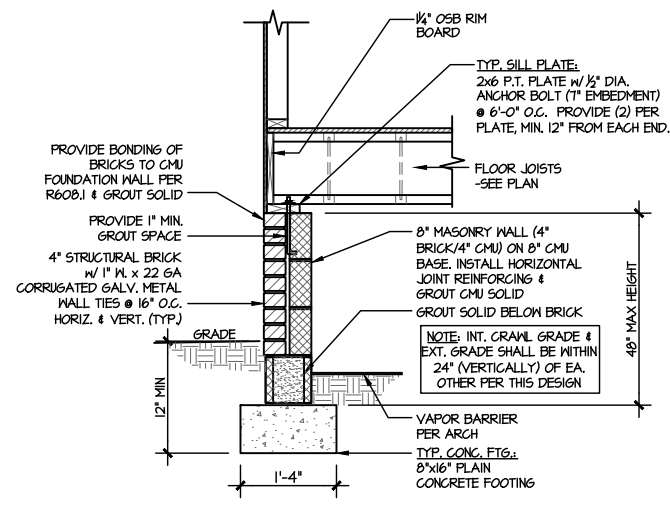
**B** TYPICAL STEPPED FOOTING DETAIL  
SCALE: N.T.S.



**C** TYPICAL CMU FOUNDATION HOLD-DOWN INSTALLATION  
SCALE: 3/8"=1'-0"  
(CORNER SHOWN - APPLICABLE TO ALL CONDITIONS)

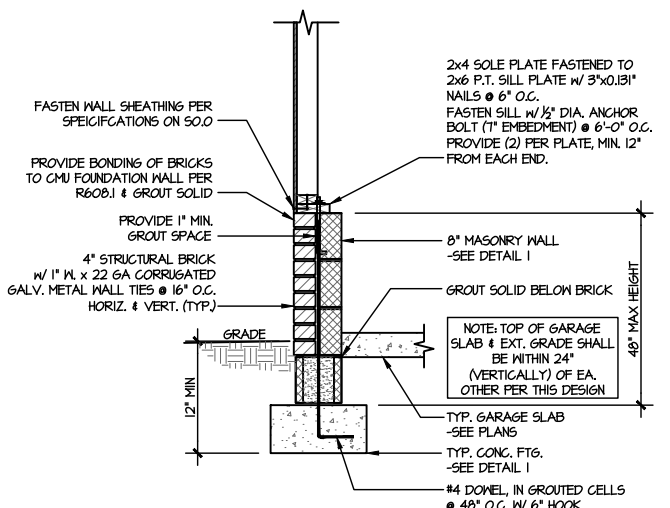


**MULHERN+KULP**  
RESIDENTIAL STRUCTURAL ENGINEERING  
300 Riverside Ave., Building 4 - Asheville, NC 28802  
725-696-8000 • mulhern+kulp.com  
NC License # C-3825



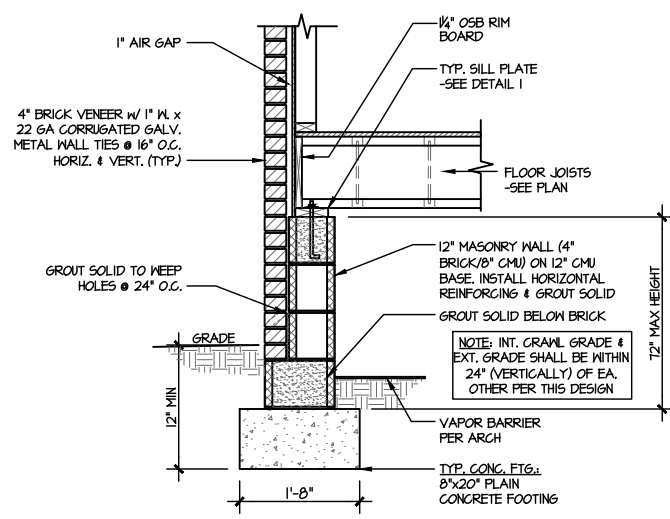
**1** TYPICAL CRAWLSPACE FOUNDATION  
SCALE: 3/8"=1'-0"  
W/ BRICK WATERTABLE

**2** NOT USED  
SCALE: 3/8"=1'-0"



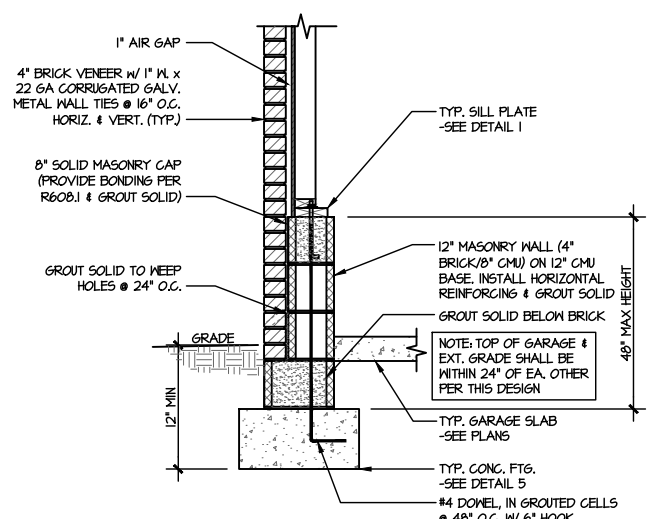
**3** TYPICAL CRAWLSPACE FOUNDATION  
@ EXTERIOR GARAGE WALL  
SCALE: 3/8"=1'-0"  
W/ BRICK WATERTABLE

**4** NOT USED  
SCALE: 3/8"=1'-0"



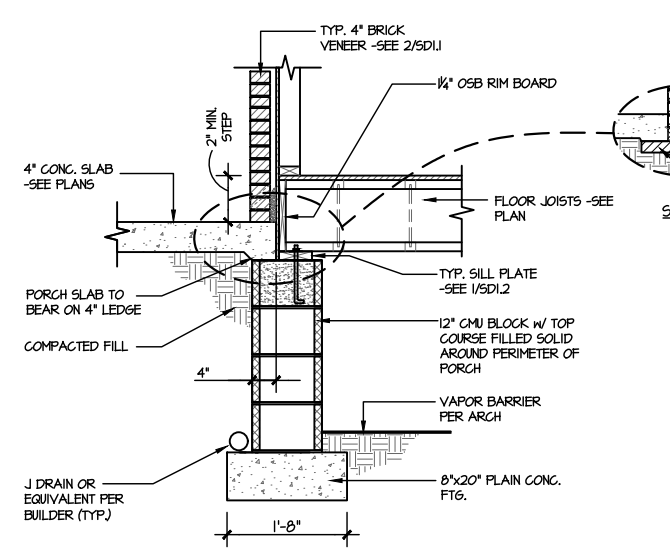
**5** TYPICAL CRAWLSPACE FOUNDATION  
SCALE: 3/8"=1'-0"  
W/ FULL BRICK VENEER

**6** NOT USED  
SCALE: 3/8"=1'-0"

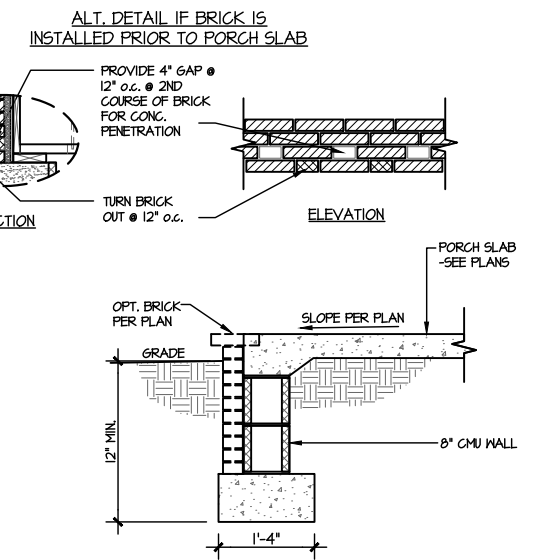


**7** TYPICAL CRAWLSPACE FOUNDATION  
@ EXTERIOR GARAGE WALL  
SCALE: 3/8"=1'-0"  
W/ FULL BRICK VENEER

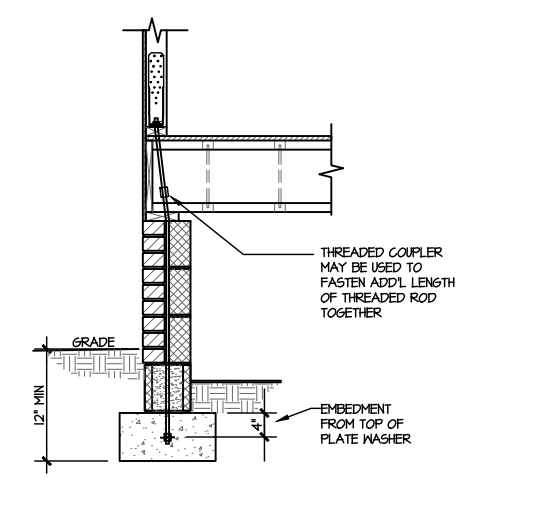
**8** NOT USED  
SCALE: 3/8"=1'-0"



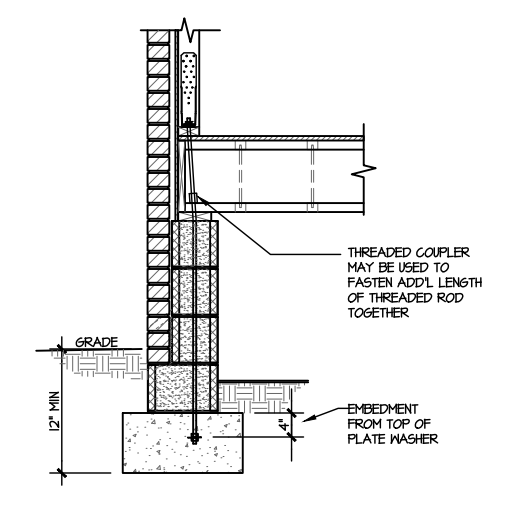
**9** TYPICAL CRAWLSPACE FOUNDATION  
@ PORCH/PATIO SLAB  
SCALE: 3/8"=1'-0"  
W/ BRICK VENEER



**10** TYPICAL FOOTING @ PORCH SLAB  
SCALE: 3/8"=1'-0"



**D** TYPICAL CRAWLSPACE FOUNDATION  
HOLD-DOWN INSTALLATION  
SCALE: 3/8"=1'-0"  
W/ BRICK WATERTABLE



**E** TYPICAL CRAWLSPACE FOUNDATION  
HOLD-DOWN INSTALLATION  
SCALE: 3/8"=1'-0"  
W/ FULL BRICK VENEER

M&K project number: 192-17012  
project mgr: SMK  
drawn by: MRG  
issue date: 03-24-22  
REVISIONS:  
date: initial:



FOUNDATION DETAILS  
McDOWELL  
WIND SPEED < 115 MPH NORTH CAROLINA





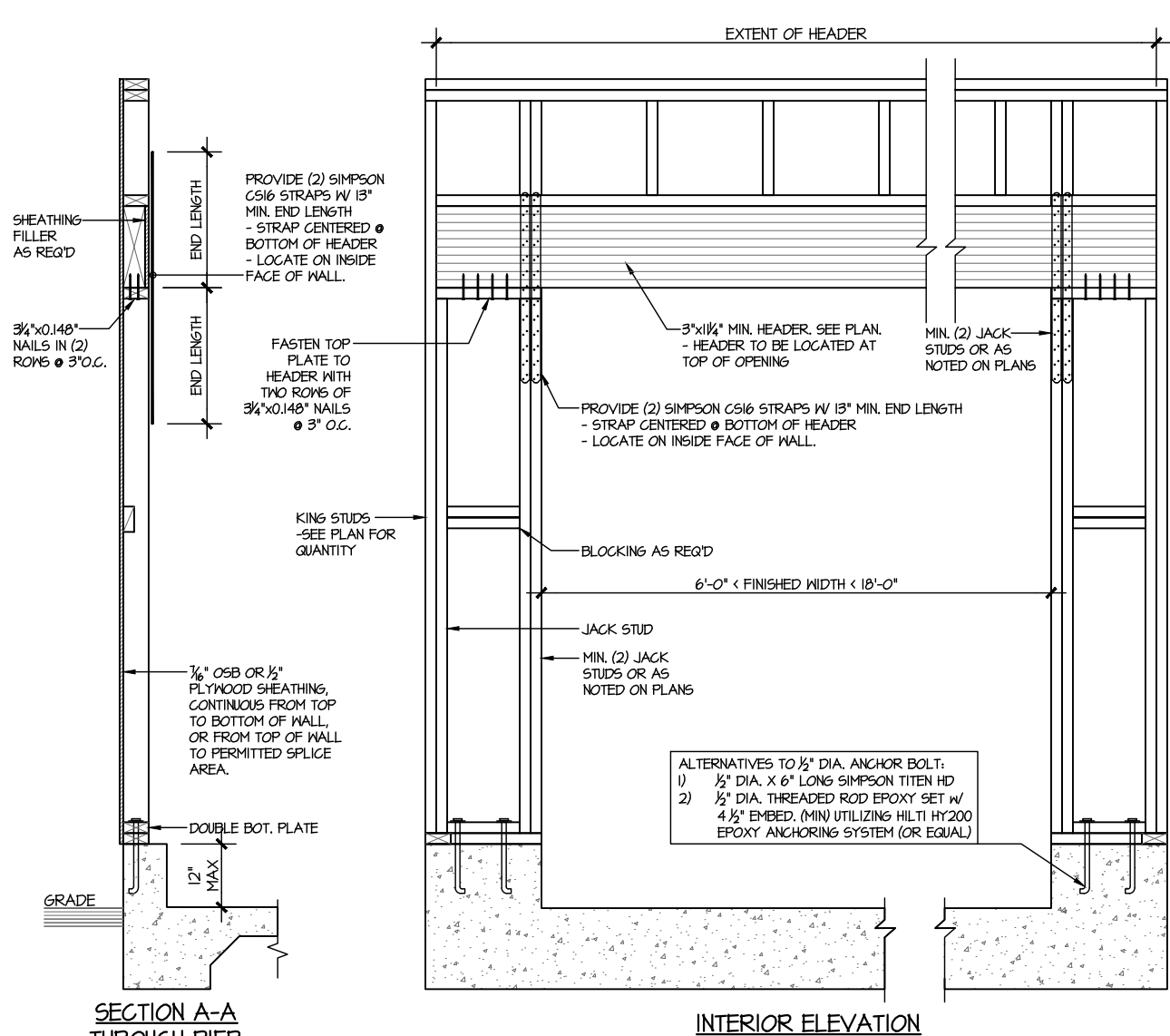
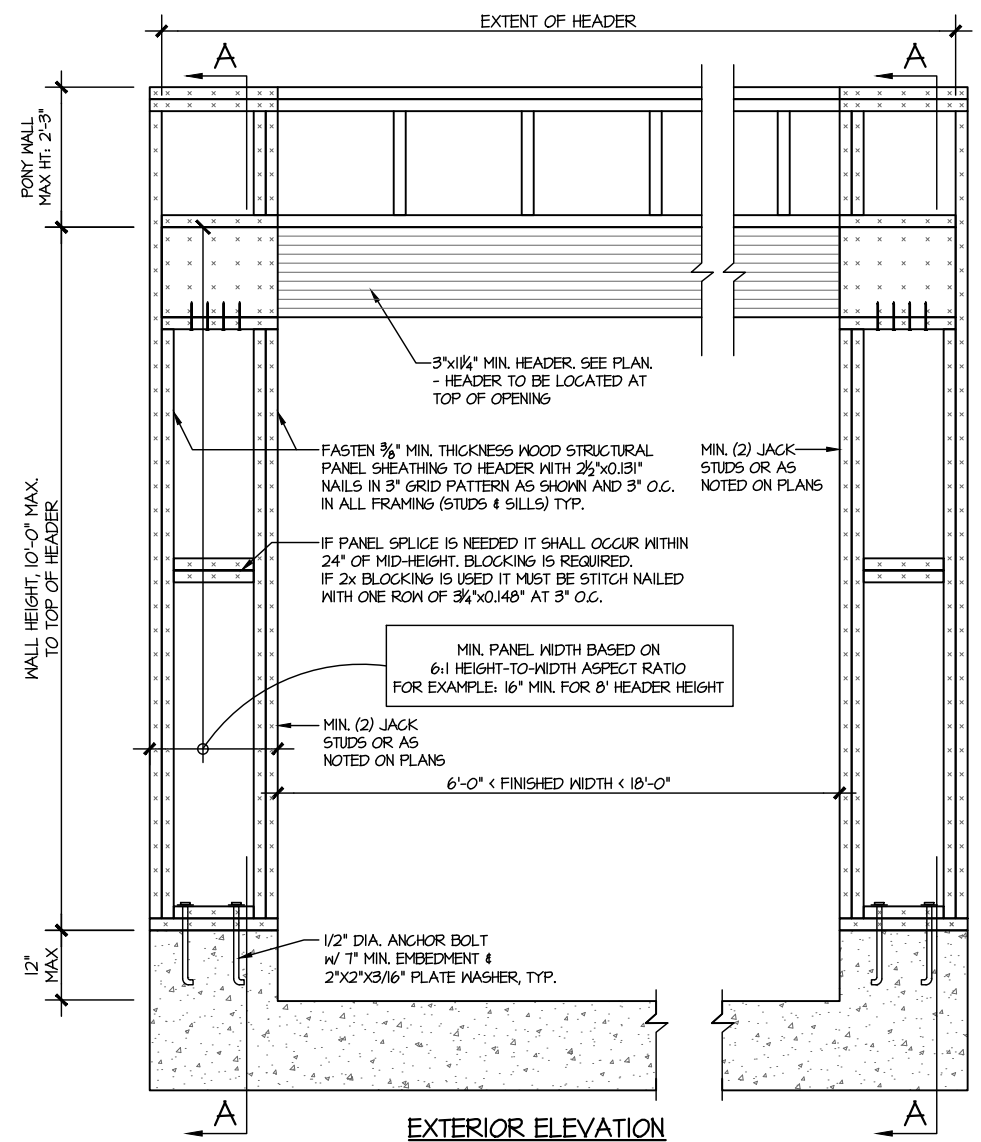
**MULHERN+KULP**  
RESIDENTIAL STRUCTURAL ENGINEERING  
300 Riverside Ave., Building 1 - Asheville, NC 28802  
725-696-8000 - mulhern+kulp.com  
NC License # C-3825

MSK project number: 192-17012  
project mgr: SMK  
drawn by: MRG  
issue date: 03-24-22  
REVISIONS:  
date: initial:

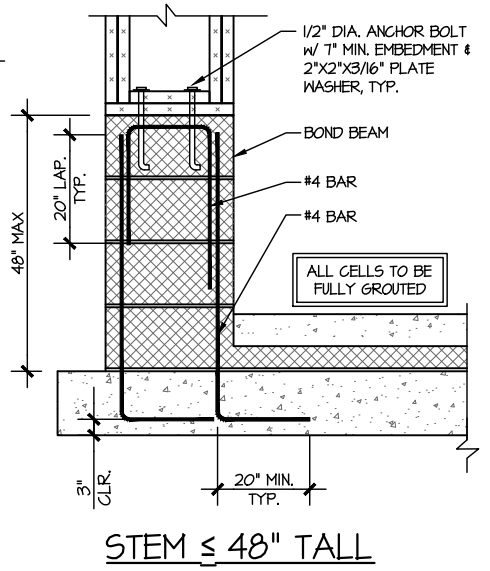
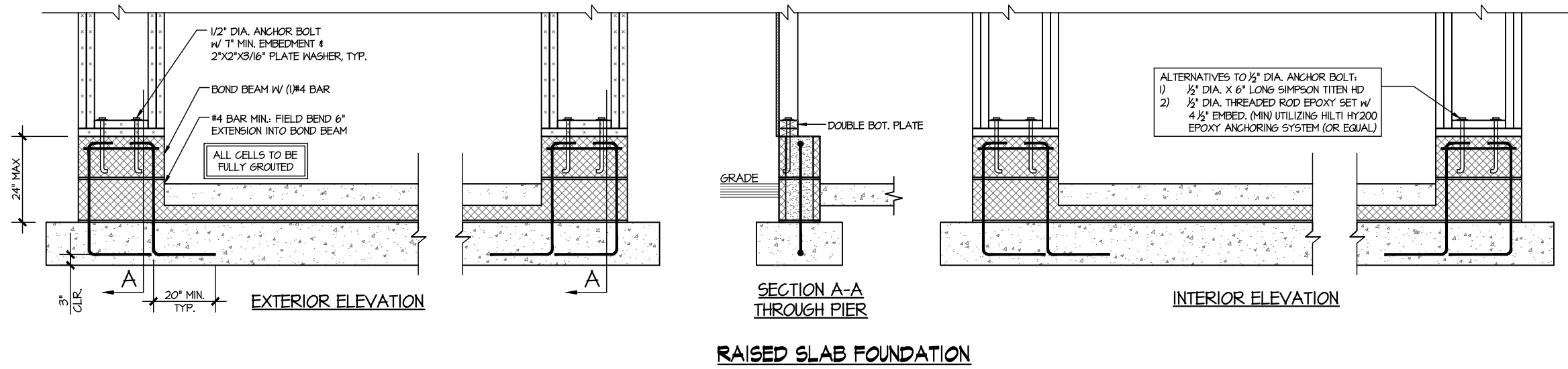
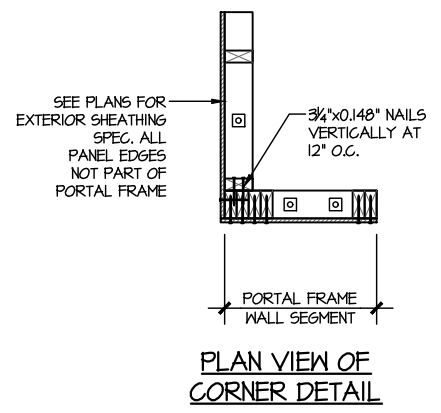


STRUCTURAL DETAILS  
McDOWELL  
WIND SPEED < 115 MPH NORTH CAROLINA

sheet: SW-2

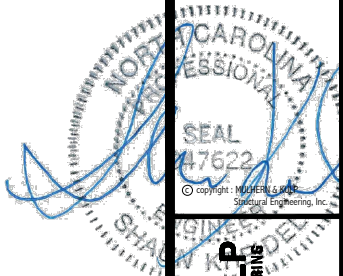


WALL FRAMING SPECIFICATION:  
• 2x4 WALL: USE SP/SPF #2 GRADE STUDS (OR BETTER)  
• 2x6 WALL: USE SP/SPF #2 GRADE STUDS (OR BETTER)



PORTAL FRAME DETAIL  
SCALE: N.T.S.

BOTH SIDES OF GARAGE DOOR  
1 KING STUD & RETURN WALLS



**MULHERN+KULP**  
RESIDENTIAL STRUCTURAL ENGINEERING  
300 Riverside Ave., Building 4 - Asheville, NC 28802  
919-252-9488  
NC License # C-3825



M&K project number: 192-17012  
project mgr: SMK  
drawn by: MRG  
issue date: 03-24-22

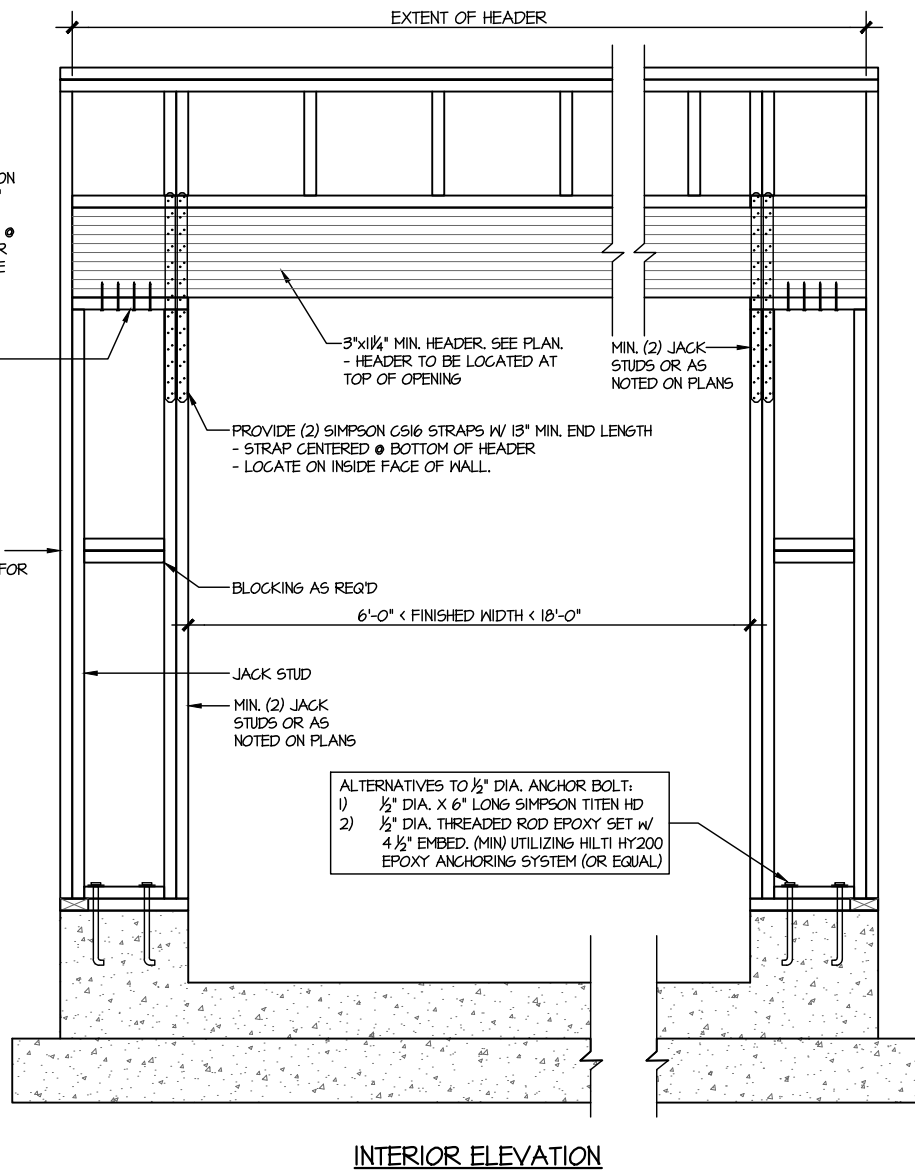
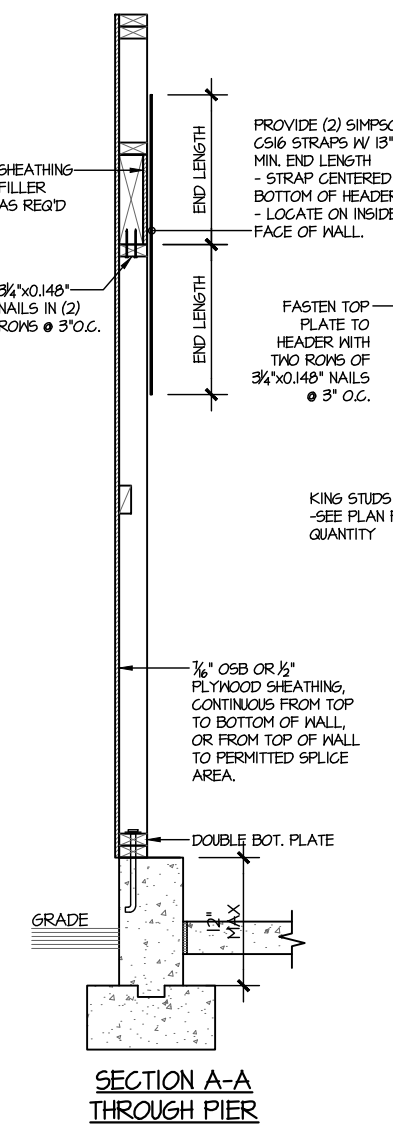
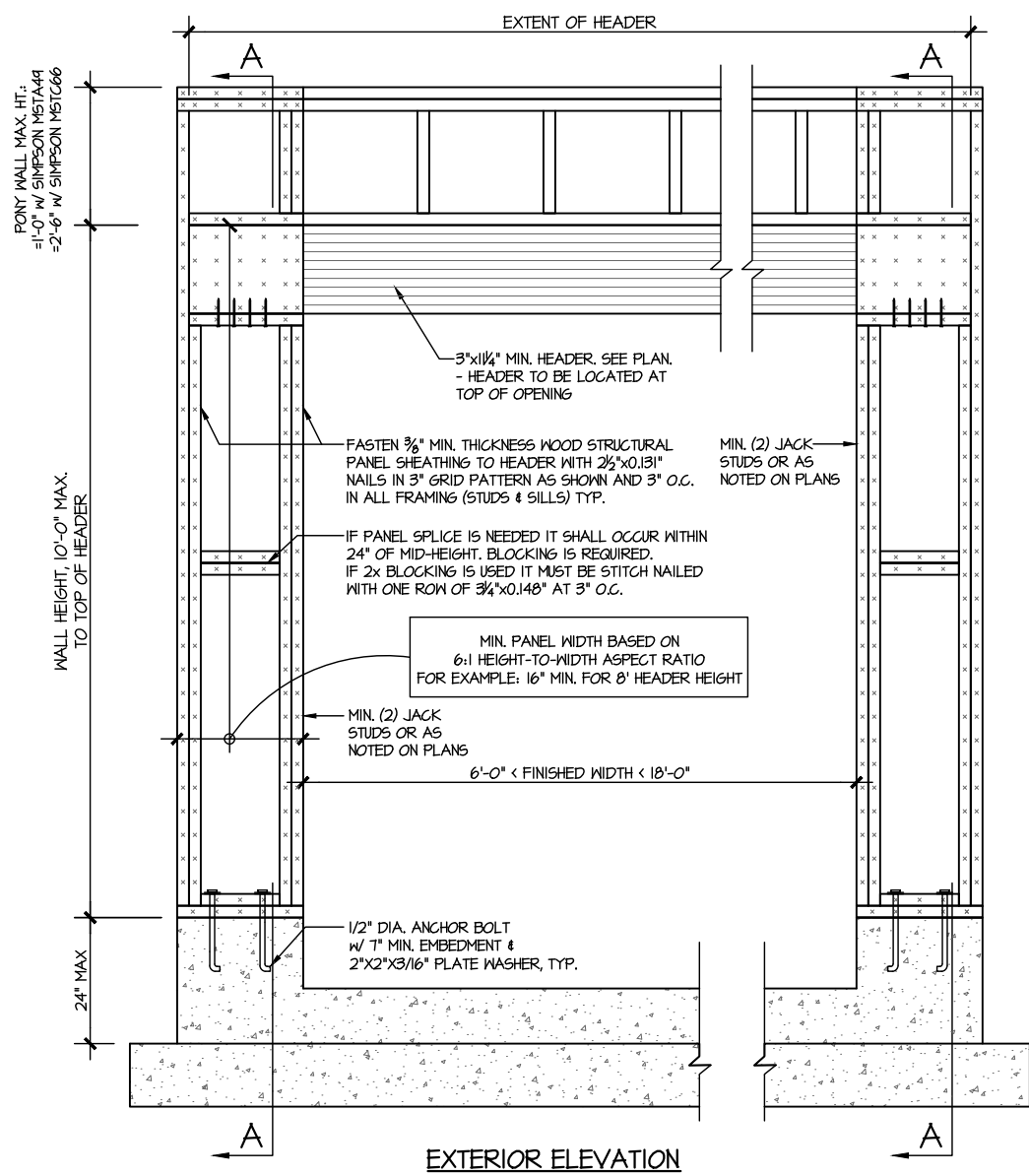
REVISIONS:  
date: initial:

ARCH: v.02.01.00.00

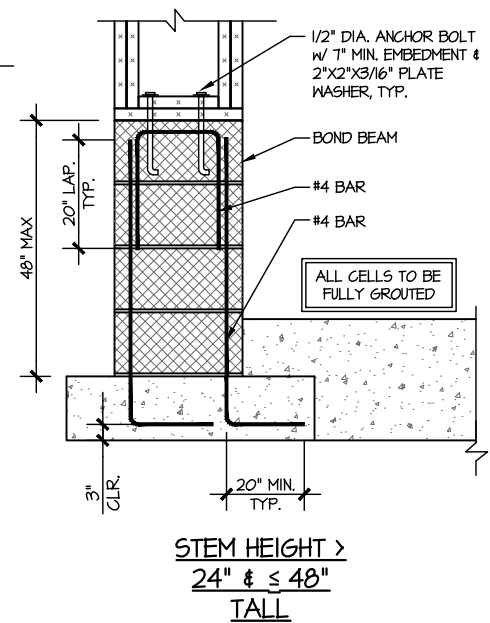
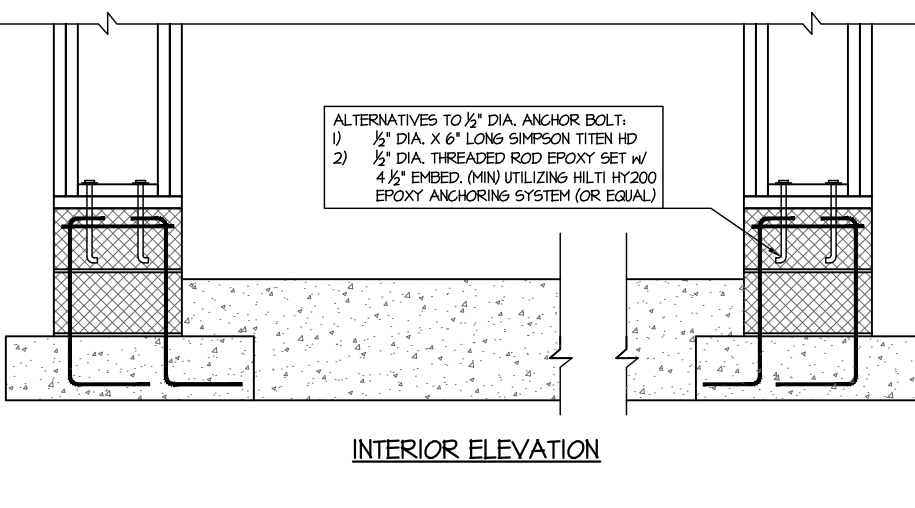
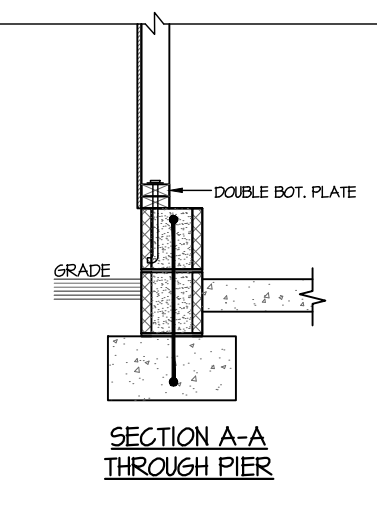
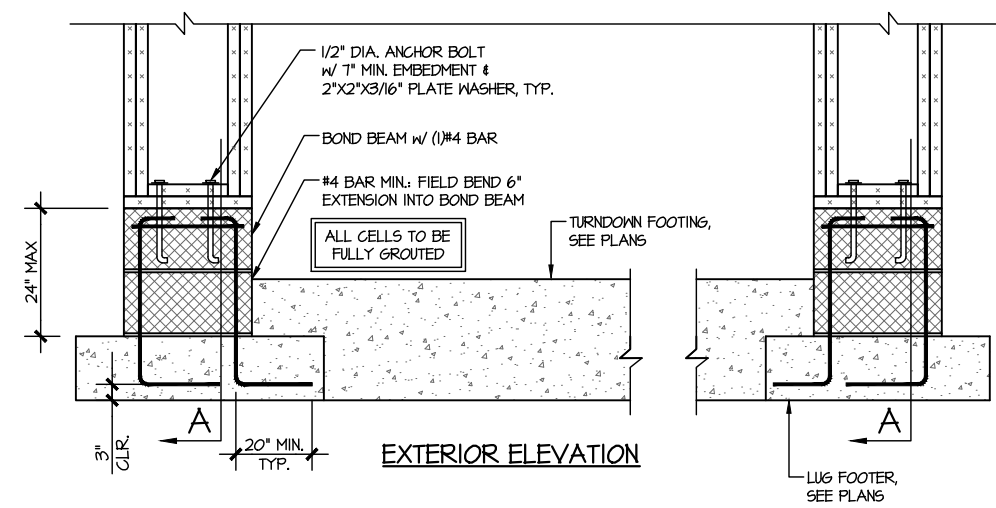
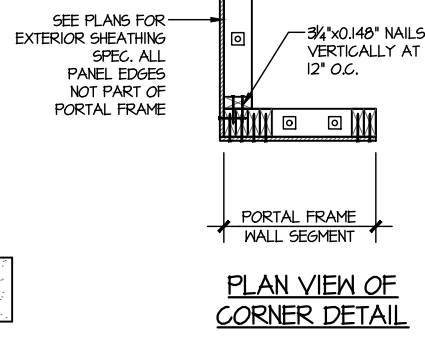


STRUCTURAL DETAILS  
McDOWELL  
WIND SPEED < 115 MPH NORTH CAROLINA

sheet: SW-3



WALL FRAMING SPECIFICATION:  
• 2x4 WALL: USE SP/SPF #2 GRADE STUDS (OR BETTER)  
• 2x6 WALL: USE SP/SPF #2 GRADE STUDS (OR BETTER)

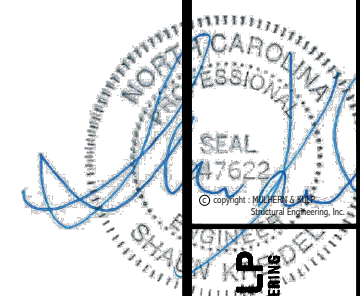


PORTAL FRAME DETAIL  
SCALE: N.T.S.

BOTH SIDES OF GARAGE DOOR  
1 KING STUD & RETURN WALLS

**LEDGER NOTE**

- LEDGER TO END TRUSSES:  
-FASTEN 2x LEDGER (MATCH D.J.) TO END TRUSS VERTICALS w/ (1) 1/2" DIA. THRU BOLT + (4) 2 1/2"x0.135" NAILS @ 16" O.C. PACK OUT END TRUSS AS REQ'D FOR LEDGER FASTENING.
- LEDGER TO RIMBOARD/BLOCKING:  
-FASTEN 2x LEDGER (MATCH D.J.) TO RIMBOARD/BLOCKING w/ (1) 1/2" DIA. THRU BOLT + (4) 2 1/2"x0.135" NAILS @ 16" O.C.
- PROVIDE (2) BOLTS IN END (2) JOIST BAYS @ EACH END OF DECK
- INSTALL (1) SIMPSON HB CLIP ON LAST (2) DECK JOISTS @ EACH END OF DECK, CONNECTING SIDE OF JOIST TO TOP OF LEDGER (IRC R502.2.2)
- ALT. LEDGER SPEC:  
FASTEN 2x10 LEDGER TO RIMBOARD w/ (2) 1/4" DIA. x 3 1/2" LONG SIMPSON S05 SCREWS @ 16" O.C.
- NOT APPLICABLE AT BRICK CONDITIONS



**MULHERN+KULP**  
RESIDENTIAL STRUCTURAL ENGINEERING  
300 Riverside Ave., Building 4 - Asheville, NC 28802  
725-696-8000 • mulhern+kulp.com  
NC License # C-3825

M&K project number: 192-17012  
project mgr: SMK  
drawn by: MRG  
issue date: 03-24-22

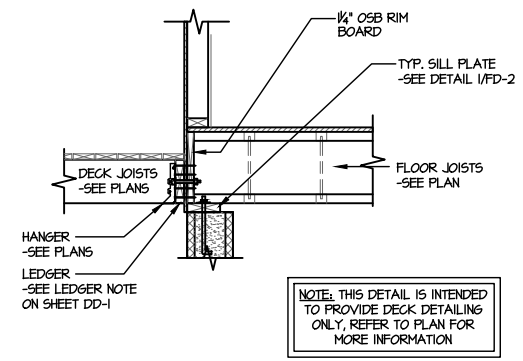
REVISIONS:  
date: initial:

ARCH: v.02.01.00.00

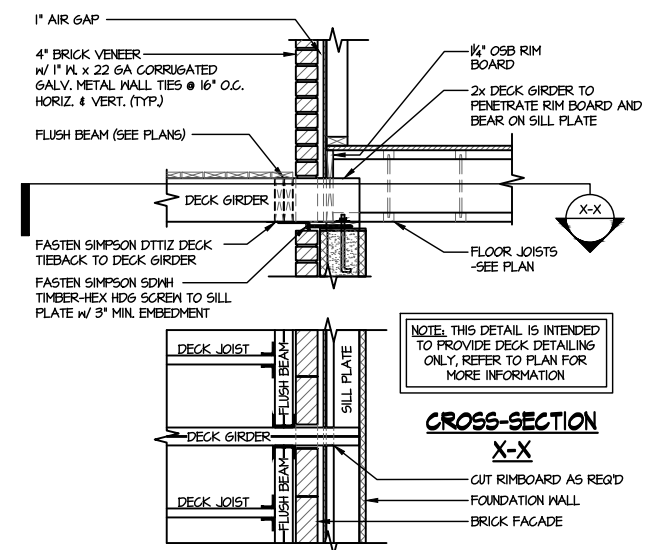


FOUNDATION DETAILS  
McDOWELL  
WIND SPEED < 115 MPH NORTH CAROLINA

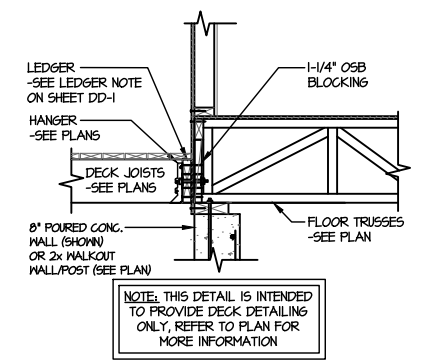
sheet: DD-1



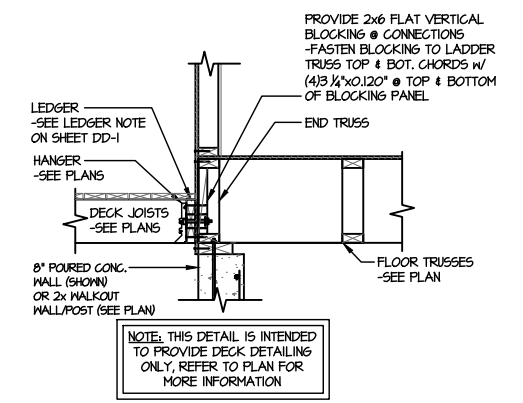
1 TYPICAL DECK CONNECTION @ CRAWLSPACE  
SCALE: 3/8"=1'-0"



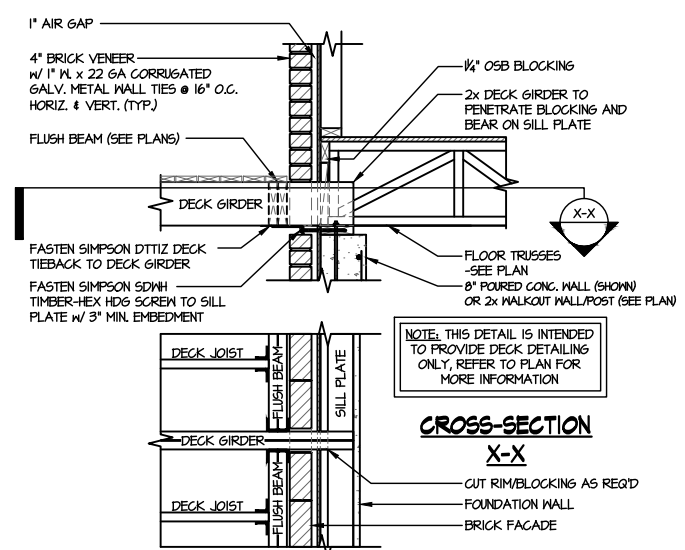
2 TYPICAL DECK CONNECTION @ CRAWLSPACE w/ BRICK  
SCALE: 3/8"=1'-0"



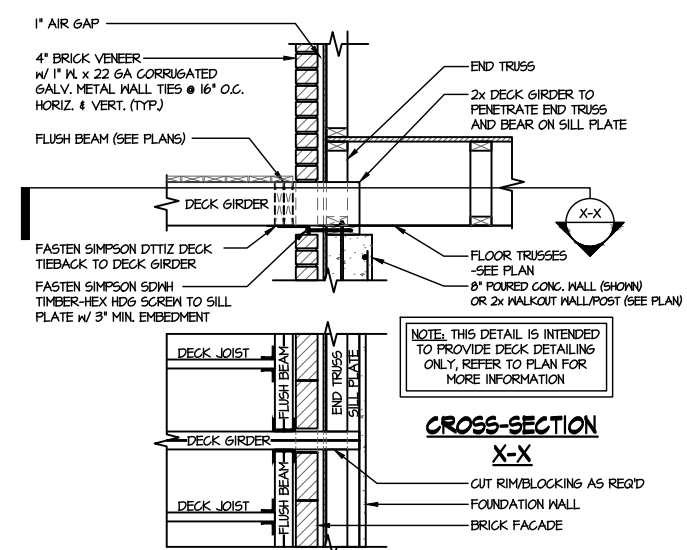
3 TYPICAL DECK CONNECTION @ BASEMENT  
SCALE: 3/8"=1'-0" PERPENDICULAR FRAMING



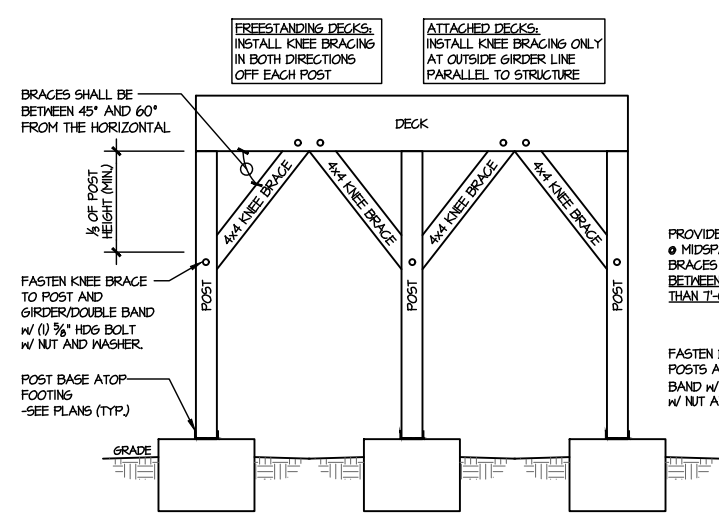
4 TYPICAL DECK CONNECTION @ BASEMENT  
SCALE: 3/8"=1'-0" PARALLEL FRAMING



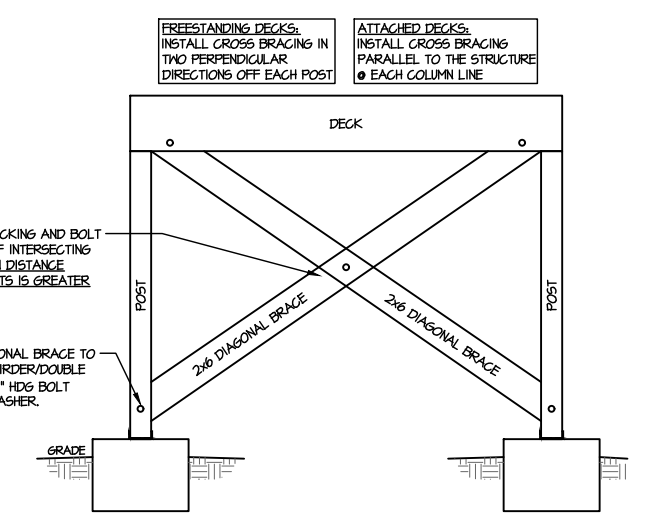
5 TYPICAL DECK CONNECTION @ BASEMENT w/ BRICK  
SCALE: 3/8"=1'-0" PERPENDICULAR FRAMING



6 TYPICAL DECK CONNECTION @ BASEMENT w/ BRICK  
SCALE: 3/8"=1'-0" PARALLEL FRAMING



A TYPICAL LATERAL BRACING DETAILS FOR DECKS GREATER THAN 4' HIGH  
SCALE: 1/8"

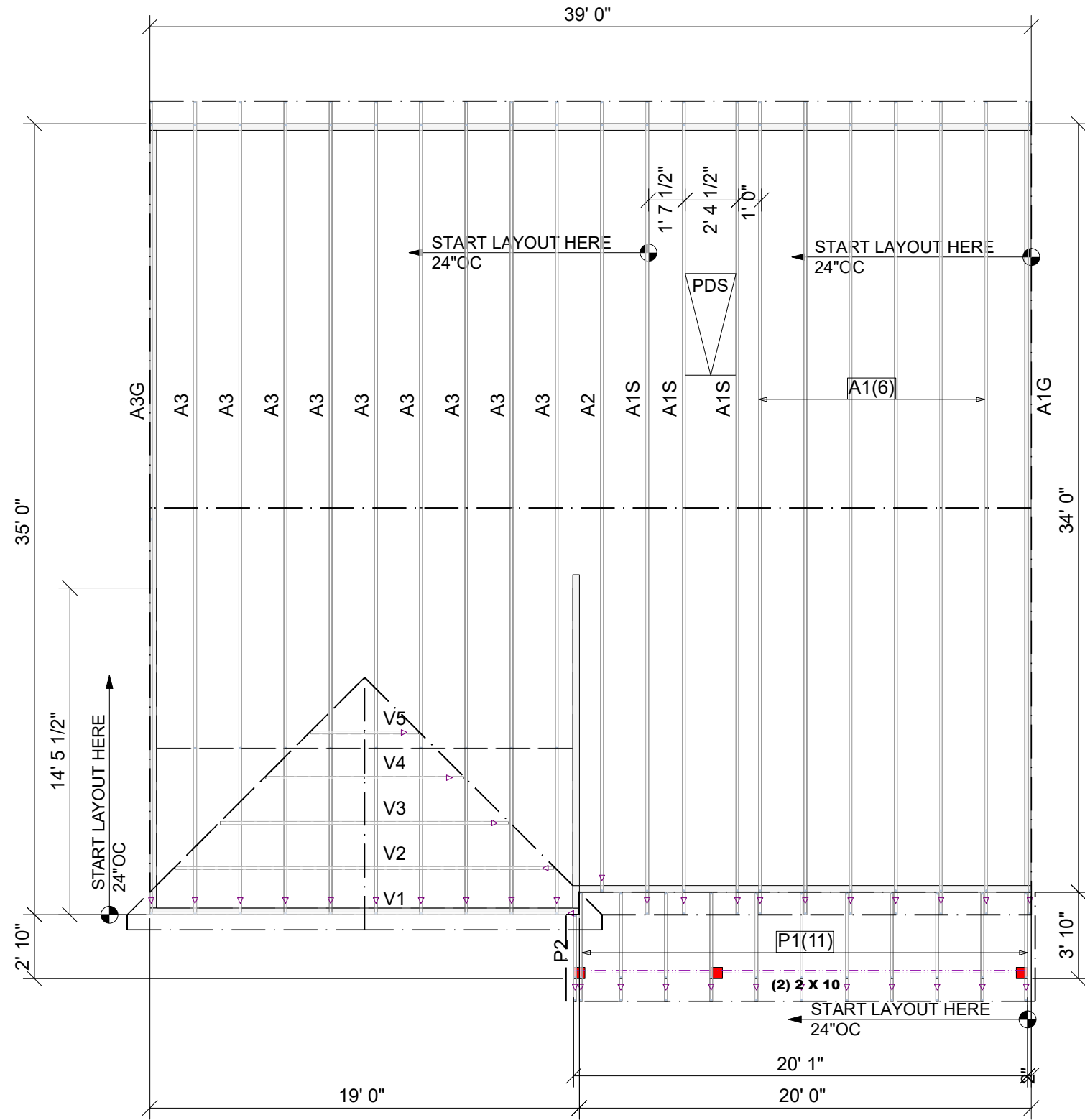


CROSS BRACING



THIS IS A TRUSS PLACEMENT DIAGRAM (TPD) ONLY; NOT AN ENGINEERED DOCUMENT. Trusses are designed as individual building components to be incorporated into the building design at the specification of the building designer. See individual truss design drawings (TDD's) for each truss design identified on the TPD. The Contractor is responsible for the temporary bracing of the roof and floor system, and requirements for the permanent restraint/bracing of truss systems may be met by following the methods outlined in ANSI-TPI 1-2014 - 2.3.3. The design of the support structure including but not limited to headers, beams, walls, and columns is also the responsibility of the building designer. For general guidance regarding installation and bracing, consult "Building Component Safety Information" (BCSI) available from the SBC Association (www.sbcassociation.com). It is the responsibility of the General Contractor to verify that the provided component layout matches the final intended construction plans, loading conditions, and use. If they do not, it is the responsibility of the General Contractor to notify UFP and provide plans containing the latest specifications and designs. UFP will not be responsible for plan changes by others after final approval of shop drawings, or for errors or modifications made on-site during construction. DO NOT CUT, NOTCH, DRILL, OR OTHERWISE "REPAIR" MANUFACTURED TRUSSES IN ANY WAY WITHOUT PRIOR WRITTEN AUTHORIZATION BY A LICENSED PROFESSIONAL DESIGNATED BY UFP. The Framing is responsible to verify all dimensions, including adjusting member spacing within tolerances to allow for the drop and rise of plumbing/HVAC, unless noted otherwise. Truss-to-wall connections, if shown, are for uplift only and do not consider lateral loads. All connectors on this project are to be installed per the connector manufacturer's specifications. All connectors shown that are not truss-to-truss are suggestions only and are to be verified by the Building Designer or Engineer of Record for suitability to this particular project. UFP accepts no responsibility for the specific application or suitability of any connector that is not truss-to-truss as they apply to this specific structure.

**ROOF PLACEMENT PLAN**



**\*\*NOTE\*\***  
 (4) LUS26 HANGERS TO BE USED @ PDS HEADERS (NOT SHOWN)  
 ADD 2X4 BLOCKING IN FIELD FOR ROOF SHEATHING AND DRYWALL  
 @ PULL DOWN STAIR AREA AS NEEDED

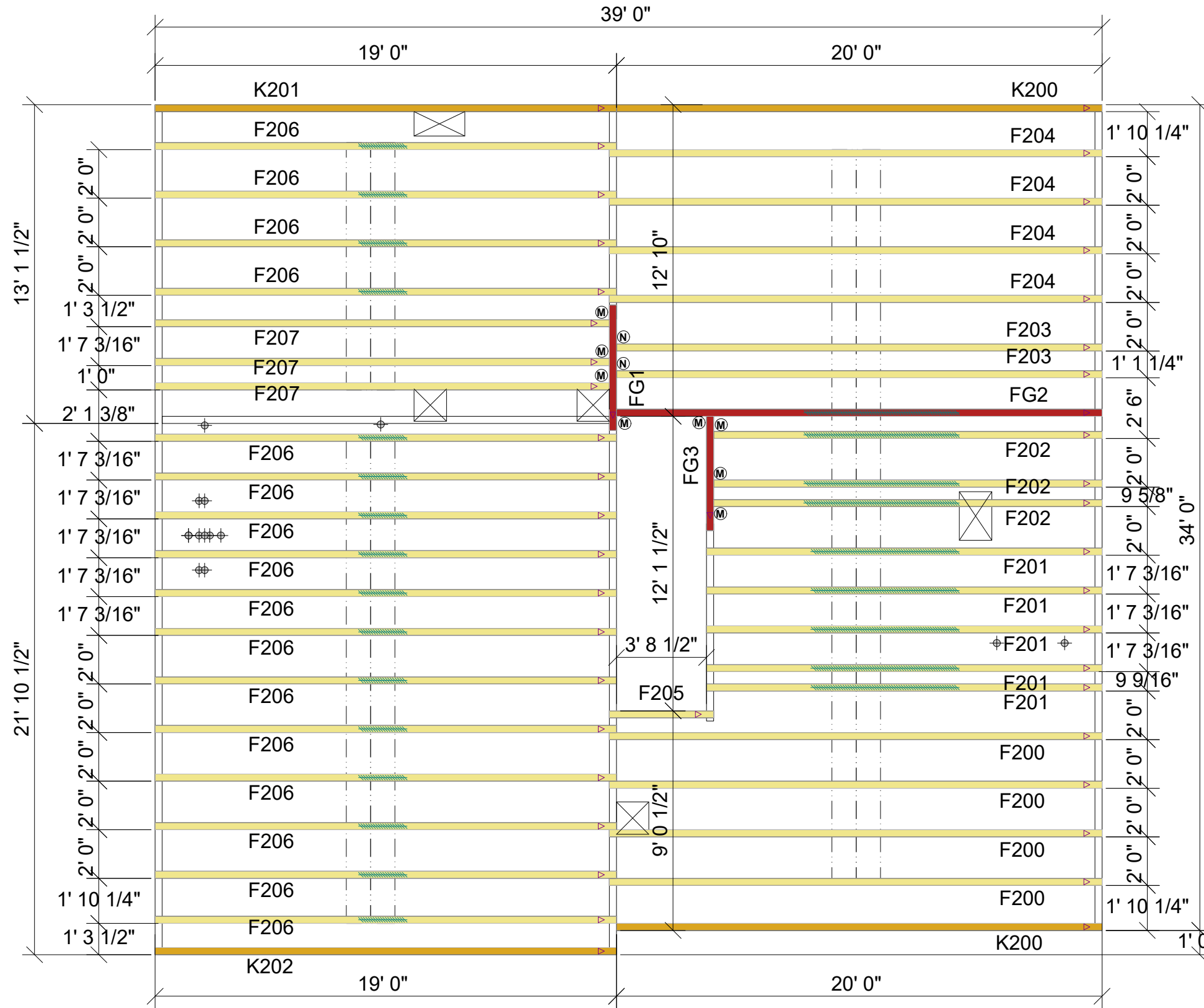
△ INDICATES LEFT END OF TRUSS SCALE: N.T.S

<b>ROOF AREA:</b> 1644.73 ft <sup>2</sup> sqft	<b>RIDGE LINE:</b> 50.17 ft	<b>VALLEY LINES:</b> 30.96 ft	<b>HIP LINES:</b> 0 ft	<b>THESE VALUES ARE APPROXIMATE ONLY</b>																												
<b>MCDOWELL B RF</b>		<b>MUNGO HOMES</b>																														
<table border="1" style="width: 100%; border-collapse: collapse;"> <thead> <tr> <th>REVISIONS</th> <th>DATE</th> <th>DESCRIPTION</th> <th>DSN</th> </tr> </thead> <tbody> <tr><td> </td><td> </td><td> </td><td> </td></tr> <tr><td> </td><td> </td><td> </td><td> </td></tr> <tr><td> </td><td> </td><td> </td><td> </td></tr> <tr><td> </td><td> </td><td> </td><td> </td></tr> <tr><td> </td><td> </td><td> </td><td> </td></tr> <tr><td> </td><td> </td><td> </td><td> </td></tr> </tbody> </table>					REVISIONS	DATE	DESCRIPTION	DSN																								
REVISIONS	DATE	DESCRIPTION	DSN																													
DESIGNER LJP LAYOUT DATE 01/06/2025 ARCH DATE - STRUC DATE -		<b>UFP SITE BUILT</b> A UFP INDUSTRIES COMPANY Burlington, NC    Locust, NC Chesapeake, VA    Liberty, NC Clinton, NC    Ooltewah, TN Conway, SC    Pearisburg, VA Jefferson, GA    Stanfield, NC Customer Service (800) 476-9356																														

# 72500285 38 CAMBRIDGE RESERVE

THIS IS A TRUSS PLACEMENT DIAGRAM (TPD) ONLY; NOT AN ENGINEERED DOCUMENT. Trusses are designed as individual building components to be incorporated into the building design at the specification of the building designer. See individual truss design drawings (TDD's) for each truss design identified on the TPD. The Contractor is responsible for the temporary bracing of the roof and floor system, and requirements for the permanent restraint/bracing of truss systems may be met by following the methods outlined in ANSI-TPI 1-2014 - 2.3.3. The design of the support structure including but not limited to headers, beams, walls, and columns is also the responsibility of the building designer. For general guidance regarding installation and bracing, consult "Building Component Safety Information" (BCSI) available from the SBC Association (www.sbcassociation.com). It is the responsibility of the General Contractor to verify that the provided component layout matches the final intended construction plans, loading conditions, and use. If they do not, it is the responsibility of the General Contractor to notify UFP and provide plans containing the latest specifications and designs. UFP will not be responsible for plan changes by others after final approval of shop drawings, or for errors or modifications made on-site during construction. DO NOT CUT, NOTCH, DRILL, OR OTHERWISE "REPAIR" MANUFACTURED TRUSSES IN ANY WAY WITHOUT PRIOR WRITTEN AUTHORIZATION BY A LICENSED PROFESSIONAL DESIGNATED BY UFP. The Framing is responsible to verify all dimensions, including adjusting member spacing within tolerances to allow for the drop and rise of plumbing/HVAC, unless noted otherwise. Truss-to-wall connections, if shown, are for uplift only and do not consider lateral loads. All connectors on this project are to be installed per the connector manufacturer's specifications. All connectors shown that are not truss-to-truss are suggestions only and are to be verified by the Building Designer or Engineer of Record for suitability to this particular project. UFP accepts no responsibility for the specific application or suitability of any connector that is not truss-to-truss as they apply to this specific structure.

## 2ND FLOOR PLACEMENT PLAN



Floor Hanger List		
MARK	TYPE	QTY
(M)	THA422	8
(N)	THAC422	2

**ROOF AREA:** 0 ft<sup>2</sup> sqft

**RIDGE LINE:** 0 ft

**VALLEY LINES:** 0 ft

**HIP LINES:** 0 ft

**THESE VALUES ARE APPROXIMATE ONLY**

MCDOWELL B 2ND FLR

MUNGO HOMES

DESIGNER LJP  
LAYOUT DATE 11/13/2024  
ARCH DATE -  
STRUC DATE -

REVISIONS	DESCRIPTION	DSN

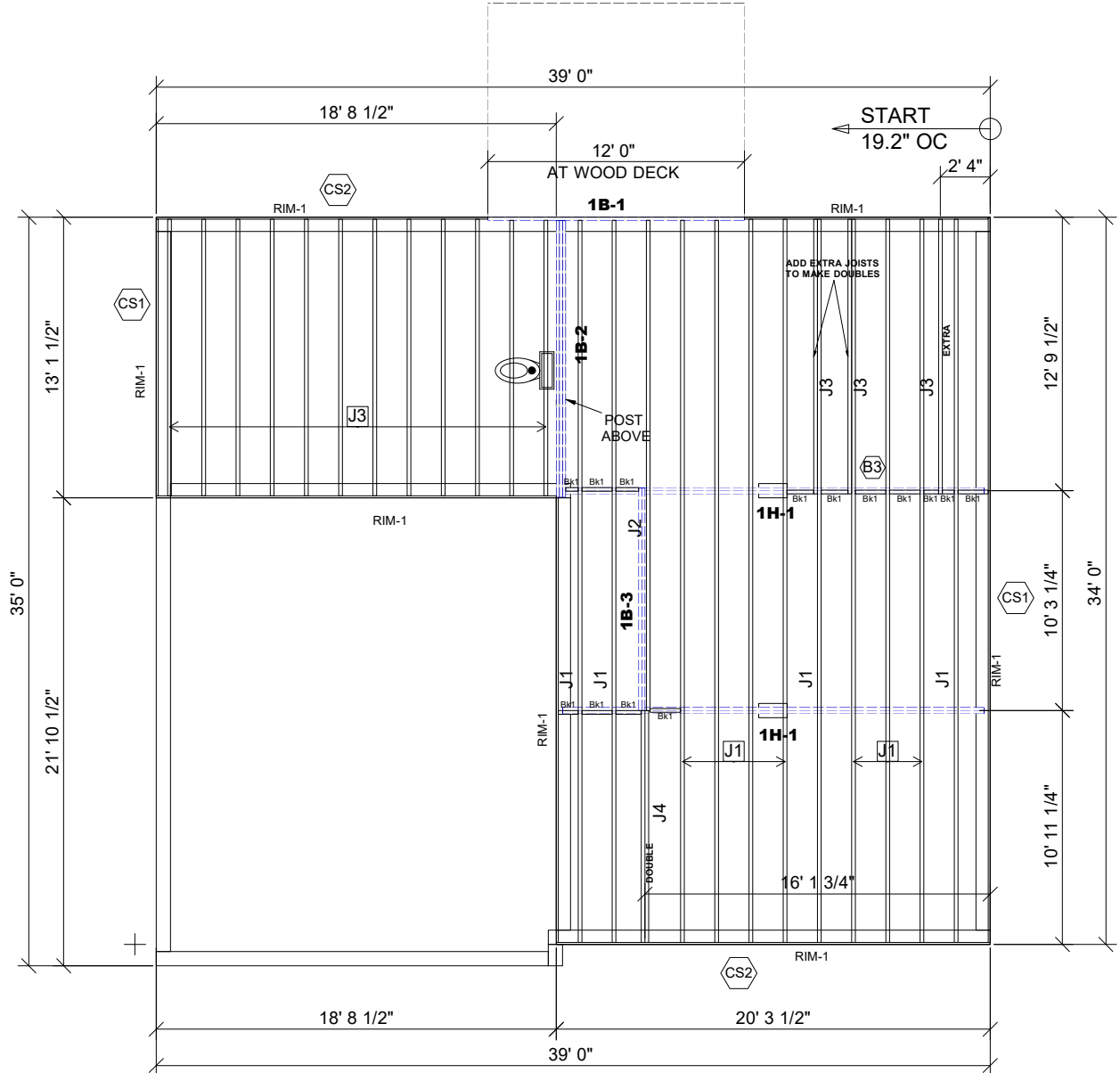
UFP SITE BUILT

A UFP INDUSTRIES COMPANY

Burlington, NC    Locust, NC  
Chesapeake, VA    Liberty, NC  
Clinton, NC        Ooltewah, TN  
Conway, SC        Pearisburg, VA  
Jefferson, GA      Stanfield, NC

Customer Service (800) 476-9356

THIS IS AN ENGINEERED WOOD PRODUCT (EWP) MEMBER PLACEMENT DIAGRAM ONLY; NOT AN ENGINEERED DOCUMENT. EWP members are designed as individual building components to be incorporated into the building design at the specification of the building designer. The Contractor is responsible for the temporary bracing of the floor system, and the building designer is responsible for the permanent bracing and blocking of the floor system and the overall structure. The design of the support structure including but not limited to headers, beams, walls, and columns is also the responsibility of the building designer. It is the responsibility of the General Contractor to verify that the provided layout matches the final intended construction plans, loading conditions, and use. If they do not, it is the responsibility of the General Contractor to notify UFP and provide plans containing the latest specifications and designs. UFP will not be responsible for plan changes by others after final approval of shop drawings, or for errors or modifications made on-site during construction. DO NOT CUT, NOTCH, DRILL, OR OTHERWISE "REPAIR" EWP MEMBERS IN ANY WAY WITHOUT PRIOR WRITTEN AUTHORIZATION BY A LICENSED PROFESSIONAL DESIGNATED BY UFP. The Framing is responsible to verify all dimensions, including adjusting member spacing within tolerances to allow for the drop and rise of plumbing/HVAC, unless noted otherwise. All connectors on this project are to be installed per the connector manufacturer's specifications. All connectors shown that are not joist to joist are suggestions only and are to be verified by the Building Designer or Engineer of Record for suitability to this particular project. UFP accepts no responsibility for the specific application or suitability of any connector that is not joist to joist as they apply to this specific structure.



Products					
PlotID	Length	Product	Plies	Net Qty	Fab Type
J1	34' 0"	11 7/8" TJI@ 210	1	11	MFD
J2	23' 0"	11 7/8" TJI@ 210	1	1	MFD
J3	13' 0"	11 7/8" TJI@ 210	1	15	MFD
J4	11' 0"	11 7/8" TJI@ 210	2	2	MFD
1B-1	12' 0"	1 3/4" x 11 7/8" 1.55E TimberStrand® LSL	1	1	MFD
1H-1	20' 0"	1 3/4" x 9 1/4" 2.0E Microllam® LVL	2	4	MFD
1B-2	13' 0"	1 3/4" x 11 7/8" 2.0E Microllam® LVL	3	3	MFD
1B-3	11' 0"	1 3/4" x 11 7/8" 2.0E Microllam® LVL	2	2	MFD
RIM-1	16' 0"	1 1/8" x 11 7/8" TJI@ Rim Board	1	10	FF
Bk1	2' 0"	11 7/8" TJI@ 210	1	14	MFD

Connector Summary			
PlotID	Qty	Manuf	Product
H1	8	Simpson	IUS2.06/11.88

• Avoid Plumbing Drops

**FIELD LOCATE PLUMBING DROPS/CAN LIGHTS, ETC... PRIOR TO JOIST SECUREMENT TO AVOID INTERFERENCE.**

LAYOUT FOR 19.2" O/C

1= 19-3/16"	9= 172-13/16"
2= 38-3/8"	10= 192"
3=57-5/8"	11= 211-3/16"
4= 76-13/16"	12= 230-3/8"
5= 96"	13= 249-13/16"
6= 115-3/16"	14= 268-13/16"
7= 134-3/8"	15= 288"
8= 153-5/8"	

**GENERAL NOTES:**

- TOP CHORD OF JOISTS ARE PAINTED RED AT NUMBERED END. PLACE PAINTED END AS NOTED ON PLAN.
- FOLLOW SPECIAL SPACING AND LOCATION DIMENSIONS FOR EXTRAS OR SHIFTED JOISTS AS SHOWN ON PLAN.
- ALL INTERIOR WALL PLATES MUST BE LEVEL WITH OUTSIDE WALL TOP PLATES.
- DO NOT STACK CONSTRUCTION LOADS ON UN-BRACED JOISTS.
- PROVIDE SOLID SUPPORT BELOW ALL BEAM AND HEADER BEARING POINTS IN WALL AND JOIST SPACES CONTINUOUS DOWN TO THE FOUNDATION.
- LOCATE CRIPPLE STUDS IN JOIST SPACE DIRECTLY BELOW HEADER JACKS AT ALL FIRST FLOOR EXTERIOR DOOR LOCATIONS.
- INSTALL NAILS IN ALL HOLES PROVIDED IN JOIST HANGERS EXCEPT AT BOTTOM CHORD SEAT. PLACE A DAB OF GLUE IN THE HANGER SEAT BEFORE SETTING JOISTS.
- IMPORTANT NOTE! NO STRUCTURAL ANALYSIS OF CONVENTIONAL HEADERS HAS BEEN CONDUCTED IF NOT NOTED. THEY ARE CONSIDERED TO BE ADEQUATE TO SUPPORT THE APPLIED LOADS.

**PLAN LEGEND**

- 1B-, 2B-** \*INDICATES BEAM ABOVE TOP PLATE (FLUSH WITH FLOOR SYSTEM)
- H-, 1H-, GDH-** INDICATES BEAM BELOW TOP PLATE (CORRODED BELOW FLOOR SYSTEM)
- \*BEAMS MAY PROTRUDE ABOVE OR BELOW DECKING OR TOP PLATE RESPECTIVELY. REFER TO DETAIL IF BEAM IS A DIFFERENT DEPTH THAN FLOOR SYSTEM
- SINGLE PLY BEAM** (ADD LINE FOR EACH ADDITIONAL PLY)
- SHIFT** SHIFT JOIST TO MISS PLUMBING, ALIGN WITH WALL OR SUPPORT FURNITURE
- EXTRA** A JOIST ADDED TO THE LAYOUT IN ADDITION TO THE ON CENTER JOISTS
- DOUBLE** TWO JOISTS SIDE BY SIDE (ONLY ASSEMBLED IF NOTED)
- ALL DIMENSIONS TO CENTERLINE UNLESS OTHERWISE NOTED**

**FRAMER NOTE**

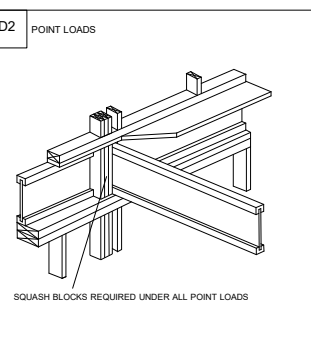
- GLUE AND NAIL PLYWOOD SUBFLOOR TO BEAMS AND GIRDERS AT 6" O/C WHERE NO WALL IS ABOVE.
- FILL HANGER SEAT WITH GLUE BEFORE SETTING JOIST IN HANGER. FILL ROUND HOLES WITH NAILS.

**CRITICAL !!**

INSTALL 2X4 SQUASH BLOCKS IN FLOOR TRUSS SPACE BELOW ALL EXTERIOR DOOR HEADER JACKS. CUT 1/16" TALLER THAN TRUSS.

FIELD VERIFY DIMENSIONS TO JOISTS LOCATED UNDER WALLS!!

**1ST FLOOR LAYOUT**



**FLOOR PLACEMENT PLAN**

SCALE: 1/8"=1'

**UFP SITE BUILT**  
A UFP INDUSTRIES COMPANY

Burlington, NC  
Chesapeake, VA  
Clinton, NC  
Conway, SC  
Jefferson, GA  
Locust, NC  
Liberty, NC  
Ooltewah, TN  
Pearisburg, VA  
Stanfield, NC

Customer Service (800) 476-9356



This drawing is property of UFP Site Built, LLC. Any unauthorized use of this document without written permission is prohibited. UFP relinquishes ownership of delivered product upon delivery. Owner of product must obtain UFP's authorization prior to any alteration or modification of product. UFP will not be held responsible for any unauthorized modifications done or costs incurred without prior written authorization from UFP.

**MUNGO HOMES OF NC**

**CAMBRIDGE RESERVE**

**MCDOWELL**

**LOT 38**

**ANGIER, NC**

REVISIONS	DATE	DESCRIPTION	DSN

DESIGNER GB1  
LAYOUT DATE 12/9/24  
ARCH DATE  
STRUC DATE  
JOB #: 25010164F1