

Job 72435796	Truss A1	Truss Type Truss	Qty 6	Ply 1	MUNGO HOMES - MCDOWELL B ROOF Job Reference (optional)
-----------------	-------------	---------------------	----------	----------	---

UFP Mid Atlantic LLC, 5631 S. NC 62, Burlington, NC, Joy Perry

Run: 8.81 S Sep 13 2024 Print: 8.810 S Sep 13 2024 MiTek Industries, Inc. Thu Nov 14 15:10:19

Page: 1

ID:q6xmDaGgPr4T8wcGw4bQWzKH9V-2PA?Z9LUj9FWV0rqyzqbJE8Lj88Bv9CF\_GLByJEzl

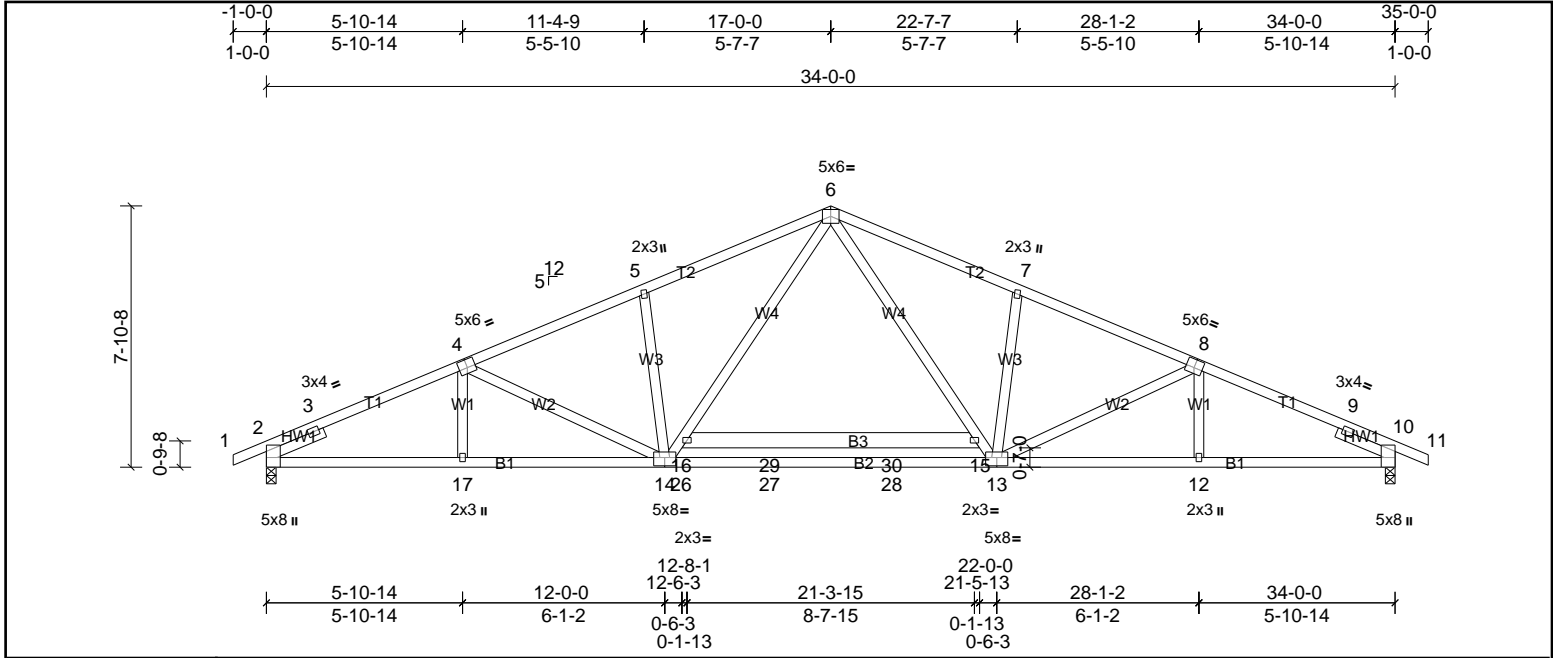


Plate Offsets (X, Y): [4:0-3-0,0-3-0], [8:0-3-0,0-3-0], [13:0-4-0,0-3-0], [14:0-4-0,0-3-0]

Loading	(psf)	Spacing	2-0-0	CSI	DEFL	in	(loc)	l/defl	L/d	PLATES	GRIP	
TCLL (roof)	20.0	Plate Grip DOL	1.15	TC	0.91	Vert(LL)	-0.32	13-14	>999	240	MT20	244/190
TCDL	10.0	Lumber DOL	1.15	BC	0.75	Vert(CT)	-0.66	13-14	>616	180		
BCLL	0.0*	Rep Stress Incr	YES	WB	0.52	Horz(CT)	0.12	10	n/a	n/a		
BCDL	10.0	Code	IRC2015/TPI2014	Matrix-MSH							Weight: 204 lb	FT = 20%

**LUMBER**  
TOP CHORD 2x4 SP No.2 \*Except\* T1:2x4 SP No.1  
BOT CHORD 2x4 SP SS \*Except\* B2:2x4 SP No.1, B3:2x6 SP No.2  
WEBS 2x4 SP No.3  
SLIDER Left 2x4 SP No.3 -- 1-11-0, Right 2x4 SP No.3 -- 1-11-0

**BRACING**  
TOP CHORD Structural wood sheathing directly applied or 2-1-4 oc purlins.  
BOT CHORD Rigid ceiling directly applied or 10-0-0 oc bracing, Except: 6-0-0 oc bracing: 15-16.

**REACTIONS**  
(lb/size) 2=1510/0-3-8, (min. 0-2-6), 10=1510/0-3-8, (min. 0-2-6)  
Max Horiz 2=131 (LC 10)  
Max Uplift 2=158 (LC 10), 10=158 (LC 11)

**FORCES**  
(lb) - Max. Comp./Max. Ten. - All forces 250 (lb) or less except when shown.  
TOP CHORD 2-3=-491/0, 3-4=-2659/547, 4-5=-2427/501, 5-6=-2419/589, 6-7=-2419/589, 7-8=-2427/501, 8-9=-2659/547, 9-10=-493/0  
BOT CHORD 2-17=-397/2378, 14-17=-399/2378, 14-26=-91/1668, 26-27=-91/1668, 27-28=-91/1668, 13-28=-91/1668, 12-13=-399/2378, 10-12=-397/2378  
WEBS 5-14=-374/230, 14-16=-240/855, 6-16=-165/952, 6-15=-165/952, 13-15=-240/855, 7-13=-374/230

- NOTES**
- Unbalanced roof live loads have been considered for this design.
  - Wind: ASCE 7-10; Vult=130mph (3-second gust) Vasd=103mph; TCCL=6.0psf; BCDL=6.0psf; h=35ft; Cat. II; Exp B; Enclosed; MWFRS (envelope) exterior zone and C-C Exterior (2) zone; cantilever left and right exposed; end vertical left and right exposed; C-C for members and forces & MWFRS for reactions shown; Lumber DOL=1.60 plate grip DOL=1.60
  - This truss has been designed for a 10.0 psf bottom chord live load nonconcurrent with any other live loads.
  - \* This truss has been designed for a live load of 20.0psf on the bottom chord in all areas where a rectangle 3-06-00 tall by 2-00-00 wide will fit between the bottom chord and any other members, with BCDL = 10.0psf.
  - Provide mechanical connection (by others) of truss to bearing plate capable of withstanding 158 lb uplift at joint 2 and 158 lb uplift at joint 10.
  - This truss is designed in accordance with the 2015 International Residential Code sections R502.11.1 and R802.10.2 and referenced standard ANSI/TPI 1.



This design is based upon parameters shown, and is for an individual building component to be installed and loaded vertically. Applicability of design parameters and proper incorporation of component is responsibility of the Building Designer. Building Designer shall verify all design information on this sheet for conformance with conditions and requirements of the specific building and governing codes and ordinances. Building Designer accepts responsibility for the correctness or accuracy of the design information as it may relate to a specific building. Certification is valid only when truss is fabricated by a UFPI plant. Bracing shown is for lateral support of truss members only and does not replace erection and permanent bracing. Refer to Building Component Safety Information (BCSI) for general guidance regarding storage, erection and bracing available from SBCA and Truss Plate Institute.



Job 72435796	Truss A1G	Truss Type Truss	Qty 1	Ply 1	MUNGO HOMES - MCDOWELL B ROOF Job Reference (optional)
-----------------	--------------	---------------------	----------	----------	---

UFP Mid Atlantic LLC, 5631 S. NC 62, Burlington, NC, Joy Perry

Run: 8.81 S Sep 13 2024 Print: 8.810 S Sep 13 2024 MiTek Industries, Inc. Thu Nov 14 15:10:20

Page: 1

ID:q6xmDaGgGpr4T8wcGw4bQWzKH9V-2PA?Z9LUj9FWV0rqzqbJEL0jqK8ID9CF\_GLByJEzI

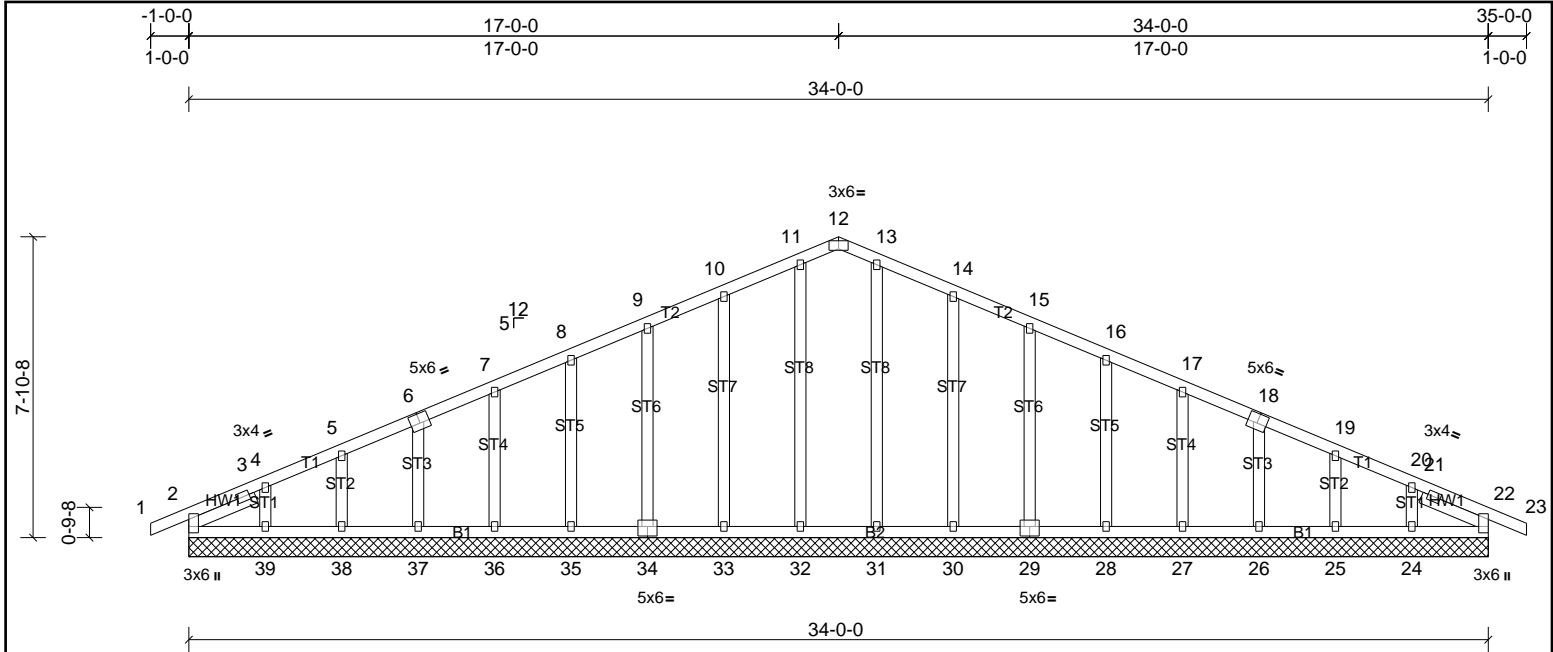


Plate Offsets (X, Y): [6:0-3-0,0-3-0], [12:0-3-0,Edge], [18:0-3-0,0-3-0], [29:0-3-0,0-3-0], [34:0-3-0,0-3-0]

Loading	(psf)	Spacing	2-0-0	CSI	DEFL	in	(loc)	l/defl	L/d	PLATES	GRIP	
TCLL (roof)	20.0	Plate Grip DOL	1.15	TC	0.10	Vert(LL)	n/a	-	n/a	999	MT20	244/190
TCDL	10.0	Lumber DOL	1.15	BC	0.03	Vert(CT)	n/a	-	n/a	999		
BCLL	0.0*	Rep Stress Incr	YES	WB	0.11	Horz(CT)	0.01	22	n/a	n/a		
BCDL	10.0	Code	IRC2015/TPI2014	Matrix-SH							Weight: 210 lb	FT = 20%

LUMBER	BRACING
TOP CHORD 2x4 SP No.2	TOP CHORD Structural wood sheathing directly applied or 6-0-0 oc purlins.
BOT CHORD 2x4 SP No.2	BOT CHORD Rigid ceiling directly applied or 10-0-0 oc bracing.
OTHERS 2x4 SP No.3	
SLIDER Left 2x4 SP No.3 -- 1-11-0, Right 2x4 SP No.3 -- 1-11-0	

**REACTIONS** All bearings 34-0-0.  
 (lb) - Max Horiz 2=131 (LC 11)  
 Max Uplift All uplift 100 (lb) or less at joint(s) 2, 24, 25, 26, 27, 28, 29, 30, 33, 34, 35, 36, 37, 38, 39  
 Max Grav All reactions 250 (lb) or less at joint(s) 2, 22, 24, 25, 26, 27, 28, 29, 30, 31, 32, 33, 34, 35, 36, 37, 38, 39

**FORCES** (lb) - Max. Comp./Max. Ten. - All forces 250 (lb) or less except when shown.

- NOTES**
- Unbalanced roof live loads have been considered for this design.
  - Wind: ASCE 7-10; Vult=130mph (3-second gust) Vasd=103mph; TCCL=6.0psf; BCDL=6.0psf; h=35ft; Cat. II; Exp B; Enclosed; MWFRS (envelope) exterior zone and C-C Exterior (2) zone; cantilever left and right exposed; end vertical left and right exposed; C-C for members and forces & MWFRS for reactions shown; Lumber DOL=1.60 plate grip DOL=1.60
  - Truss designed for wind loads in the plane of the truss only.
  - All plates are 2x3 MT20 unless otherwise indicated.
  - Gable requires continuous bottom chord bearing.
  - Gable studs spaced at 2-0-0 oc.
  - This truss has been designed for a 10.0 psf bottom chord live load nonconcurrent with any other live loads.
  - \* This truss has been designed for a live load of 20.0psf on the bottom chord in all areas where a rectangle 3-06-00 tall by 2-00-00 wide will fit between the bottom chord and any other members.
  - Provide mechanical connection (by others) of truss to bearing plate capable of withstanding 100 lb uplift at joint(s) 2, 33, 34, 35, 36, 37, 38, 39, 30, 29, 28, 27, 26, 25, 24.
  - This truss is designed in accordance with the 2015 International Residential Code sections R502.11.1 and R802.10.2 and referenced standard ANSI/TPI 1.



This design is based upon parameters shown, and is for an individual building component to be installed and loaded vertically. Applicability of design parameters and proper incorporation of component is responsibility of the Building Designer. Building Designer shall verify all design information on this sheet for conformance with conditions and requirements of the specific building and governing codes and ordinances. Building Designer accepts responsibility for the correctness or accuracy of the design information as it may relate to a specific building. Certification is valid only when truss is fabricated by a UFPI plant. Bracing shown is for lateral support of truss members only and does not replace erection and permanent bracing. Refer to Building Component Safety Information (BCSI) for general guidance regarding storage, erection and bracing available from SBCA and Truss Plate Institute.



Job 72435796	Truss A1S	Truss Type Truss	Qty 3	Ply 1	MUNGO HOMES - MCDOWELL B ROOF Job Reference (optional)
-----------------	--------------	---------------------	----------	----------	---

UFPI Mid Atlantic LLC, 5631 S. NC 62, Burlington, NC, Joy Perry

Run: 8.81 S Sep 13 2024 Print: 8.810 S Sep 13 2024 MiTek Industries, Inc. Thu Nov 14 15:10:20

Page: 1

ID:q6xmDaGgGpr4T8wcGw4bQWzKH9V-XbkNnVM7d1H67eb1OgU37WmNI7zBte9IQvjptdyJEzH

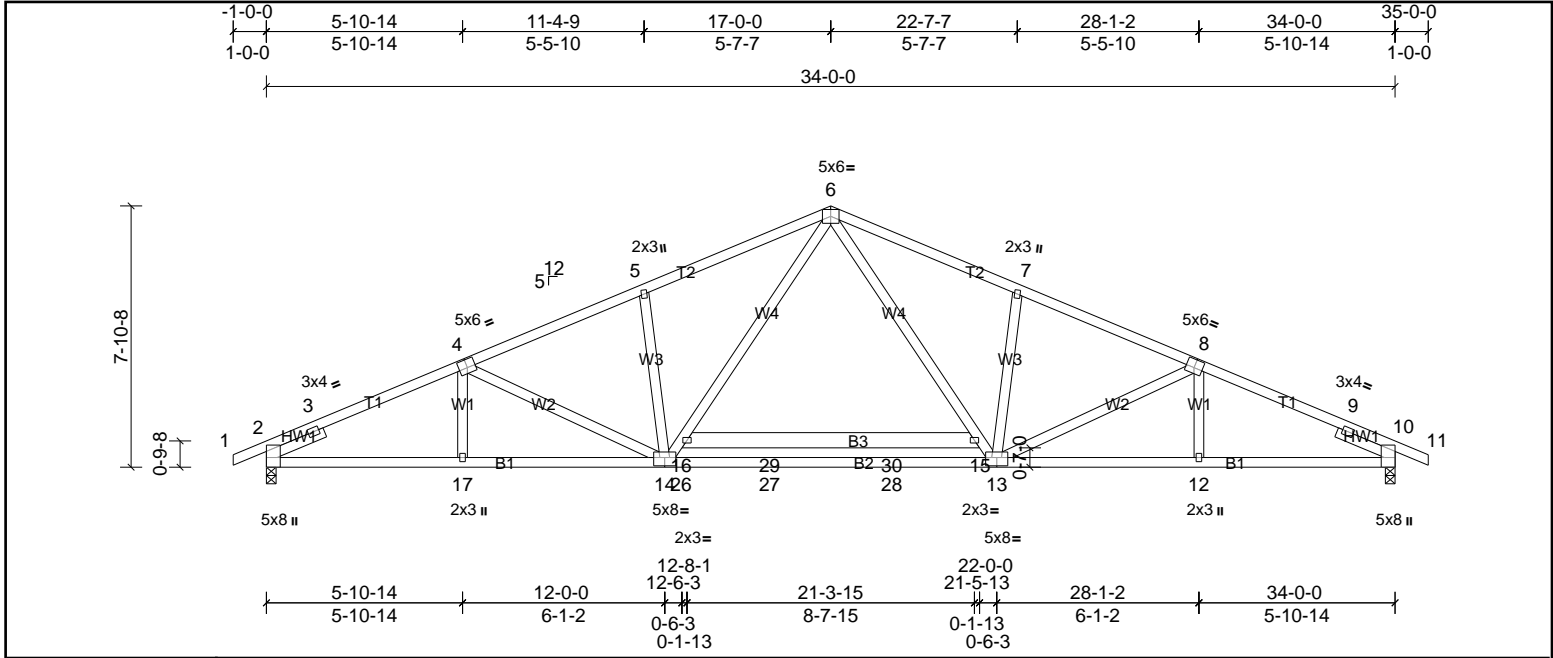


Plate Offsets (X, Y): [4:0-3-0,0-3-0], [8:0-3-0,0-3-0], [13:0-4-0,0-3-0], [14:0-4-0,0-3-0]

Loading	(psf)	Spacing	2-0-0	CSI	DEFLL	in	(loc)	l/defl	L/d	PLATES	GRIP	
TCLL (roof)	20.0	Plate Grip DOL	1.15	TC	0.70	Vert(LL)	-0.32	13-14	>999	240	MT20	244/190
TCDL	10.0	Lumber DOL	1.15	BC	0.82	Vert(CT)	-0.66	13-14	>621	180		
BCLL	0.0*	Rep Stress Incr		WB	0.52	Horz(CT)	0.11	10	n/a	n/a		
BCDL	10.0	Code	IRC2015/TPI2014	Matrix-MSH							Weight: 204 lb	FT = 20%

**LUMBER**  
TOP CHORD 2x4 SP No.2 \*Except\* T1:2x4 SP SS  
BOT CHORD 2x4 SP SS \*Except\* B2:2x4 SP No.1, B3:2x6 SP No.2  
WEBS 2x4 SP No.3  
SLIDER Left 2x4 SP No.3 -- 1-11-0, Right 2x4 SP No.3 -- 1-11-0

**BRACING**  
TOP CHORD Structural wood sheathing directly applied or 3-1-11 oc purlins.  
BOT CHORD Rigid ceiling directly applied or 10-0-0 oc bracing, Except: 6-0-0 oc bracing: 15-16.

**REACTIONS**  
(lb/size) 2=1510/0-3-8, (min. 0-2-6), 10=1510/0-3-8, (min. 0-2-6)  
Max Horiz 2=131 (LC 10)  
Max Uplift 2=158 (LC 10), 10=158 (LC 11)

**FORCES**  
(lb) - Max. Comp./Max. Ten. - All forces 250 (lb) or less except when shown.  
TOP CHORD 2-3=-480/0, 3-4=-2663/547, 4-5=-2427/501, 5-6=-2419/589, 6-7=-2419/589, 7-8=-2427/501, 8-9=-2663/547, 9-10=-495/0  
BOT CHORD 2-17=-397/2380, 14-17=-399/2381, 14-26=-91/1668, 26-27=-91/1668, 27-28=-91/1668, 13-28=-91/1668, 12-13=-399/2381, 10-12=-397/2380  
WEBS 5-14=-374/230, 14-16=-240/855, 6-16=-165/952, 6-15=-165/952, 13-15=-240/855, 7-13=-374/230

- NOTES**
- Unbalanced roof live loads have been considered for this design.
  - Wind: ASCE 7-10; Vult=130mph (3-second gust) Vasd=103mph; TCCL=6.0psf; BCDL=6.0psf; h=35ft; Cat. II; Exp B; Enclosed; MWFRS (envelope) exterior zone and C-C Exterior (2) zone; cantilever left and right exposed; end vertical left and right exposed; C-C for members and forces & MWFRS for reactions shown; Lumber DOL=1.60 plate grip DOL=1.60
  - This truss has been designed for a 10.0 psf bottom chord live load nonconcurrent with any other live loads.
  - \* This truss has been designed for a live load of 20.0psf on the bottom chord in all areas where a rectangle 3-06-00 tall by 2-00-00 wide will fit between the bottom chord and any other members, with BCDL = 10.0psf.
  - Provide mechanical connection (by others) of truss to bearing plate capable of withstanding 158 lb uplift at joint 2 and 158 lb uplift at joint 10.
  - This truss is designed in accordance with the 2015 International Residential Code sections R502.11.1 and R802.10.2 and referenced standard ANSI/TPI 1.



This design is based upon parameters shown, and is for an individual building component to be installed and loaded vertically. Applicability of design parameters and proper incorporation of component is responsibility of the Building Designer. Building Designer shall verify all design information on this sheet for conformance with conditions and requirements of the specific building and governing codes and ordinances. Building Designer accepts responsibility for the correctness or accuracy of the design information as it may relate to a specific building. Certification is valid only when truss is fabricated by a UFPI plant. Bracing shown is for lateral support of truss members only and does not replace erection and permanent bracing. Refer to Building Component Safety Information (BCSI) for general guidance regarding storage, erection and bracing available from SBCA and Truss Plate Institute.



Job 72435796	Truss A2	Truss Type Truss	Qty 1	Ply 1	MUNGO HOMES - MCDOWELL B ROOF Job Reference (optional)
-----------------	-------------	---------------------	----------	----------	---

UFP Mid Atlantic LLC, 5631 S. NC 62, Burlington, NC, Joy Perry

Run: 8.81 S Sep 13 2024 Print: 8.810 S Sep 13 2024 MiTek Industries, Inc. Thu Nov 14 15:10:20

Page: 1

ID:q6xmDaGgGpr4T8wcGw4bQWzKH9V-XbkNnVM7d1H67eb1OgU37WmJ47\_Mte9lQvjptdyJEzH

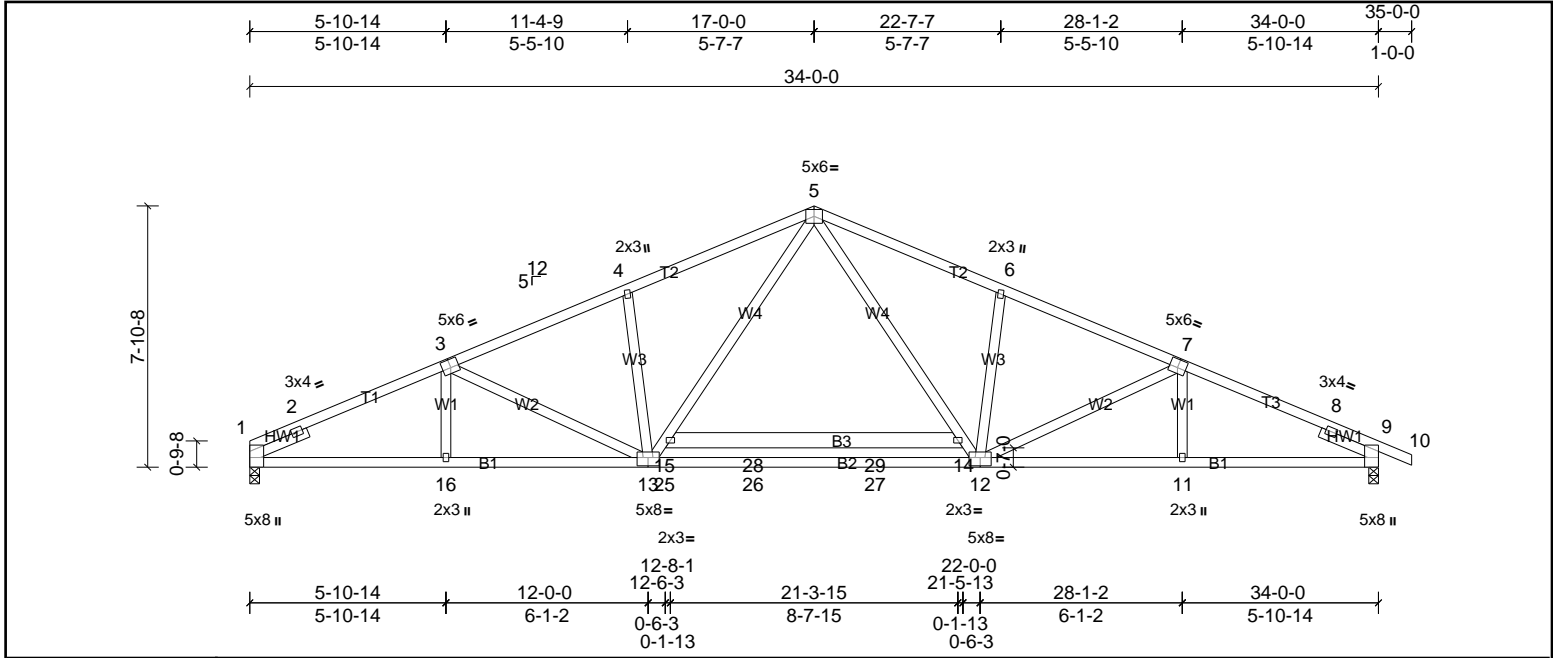


Plate Offsets (X, Y): [3:0-3-0,0-3-0], [7:0-3-0,0-3-0], [12:0-4-0,0-3-0], [13:0-4-0,0-3-0]

Loading	(psf)	Spacing	2-0-0	CSI	DEFL	in	(loc)	l/defl	L/d	PLATES	GRIP	
TCLL (roof)	20.0	Plate Grip DOL	1.15	TC	0.91	Vert(LL)	-0.32	12-13	>999	240	MT20	244/190
TCDL	10.0	Lumber DOL	1.15	BC	0.75	Vert(CT)	-0.66	12-13	>616	180		
BCLL	0.0*	Rep Stress Incr	YES	WB	0.52	Horz(CT)	0.12	9	n/a	n/a		
BCDL	10.0	Code	IRC2015/TPI2014	Matrix-MSH							Weight: 202 lb	FT = 20%

**LUMBER**  
TOP CHORD 2x4 SP No.2 \*Except\* T1,T3;2x4 SP No.1  
BOT CHORD 2x4 SP SS \*Except\* B2;2x4 SP No.1, B3;2x6 SP No.2  
WEBS 2x4 SP No.3  
SLIDER Left 2x4 SP No.3 -- 1-11-0, Right 2x4 SP No.3 -- 1-11-0

**BRACING**  
TOP CHORD Structural wood sheathing directly applied or 2-1-4 oc purlins.  
BOT CHORD Rigid ceiling directly applied or 10-0-0 oc bracing, Except: 6-0-0 oc bracing: 14-15.

**REACTIONS**  
(lb/size) 1=1449/0-3-8, (min. 0-2-4), 9=1511/0-3-8, (min. 0-2-6)  
Max Horiz 1=138 (LC 11)  
Max Uplift 1=136 (LC 10), 9=158 (LC 11)

**FORCES**  
(lb) - Max. Comp./Max. Ten. - All forces 250 (lb) or less except when shown.  
TOP CHORD 1-2=-522/0, 2-3=-2670/554, 3-4=-2430/503, 4-5=-2422/591, 5-6=-2421/590, 6-7=-2429/502, 7-8=-2661/548, 8-9=-493/0  
BOT CHORD 1-16=-405/2389, 13-16=-407/2389, 13-25=-93/1670, 25-26=-93/1670, 26-27=-93/1670, 12-27=-93/1670, 11-12=-400/2380, 9-11=-398/2380  
WEBS 3-13=-255/166, 4-13=-373/229, 13-15=-241/857, 5-15=-166/954, 5-14=-165/952, 12-14=-240/855, 6-12=-374/230

- NOTES**
- Unbalanced roof live loads have been considered for this design.
  - Wind: ASCE 7-10; Vult=130mph (3-second gust) Vasd=103mph; TCCL=6.0psf; BCDL=6.0psf; h=35ft; Cat. II; Exp B; Enclosed; MWFRS (envelope) exterior zone and C-C Exterior (2) zone; cantilever left and right exposed; end vertical left and right exposed; C-C for members and forces & MWFRS for reactions shown; Lumber DOL=1.60 plate grip DOL=1.60
  - This truss has been designed for a 10.0 psf bottom chord live load nonconcurrent with any other live loads.
  - \* This truss has been designed for a live load of 20.0psf on the bottom chord in all areas where a rectangle 3-06-00 tall by 2-00-00 wide will fit between the bottom chord and any other members, with BCDL = 10.0psf.
  - Provide mechanical connection (by others) of truss to bearing plate capable of withstanding 136 lb uplift at joint 1 and 158 lb uplift at joint 9.
  - This truss is designed in accordance with the 2015 International Residential Code sections R502.11.1 and R802.10.2 and referenced standard ANSI/TPI 1.



This design is based upon parameters shown, and is for an individual building component to be installed and loaded vertically. Applicability of design parameters and proper incorporation of component is responsibility of the Building Designer. Building Designer shall verify all design information on this sheet for conformance with conditions and requirements of the specific building and governing codes and ordinances. Building Designer accepts responsibility for the correctness or accuracy of the design information as it may relate to a specific building. Certification is valid only when truss is fabricated by a UFPI plant. Bracing shown is for lateral support of truss members only and does not replace erection and permanent bracing. Refer to Building Component Safety Information (BCSI) for general guidance regarding storage, erection and bracing available from SBCA and Truss Plate Institute.



Job 72435796	Truss A3	Truss Type Truss	Qty 9	Ply 1	MUNGO HOMES - MCDOWELL B ROOF Job Reference (optional)
-----------------	-------------	---------------------	----------	----------	---

UFP Mid Atlantic LLC, 5631 S. NC 62, Burlington, NC, Joy Perry

Run: 8.81 S Sep 13 2024 Print: 8.810 S Sep 13 2024 MiTek Industries, Inc. Thu Nov 14 15:10:20

Page: 1

ID:q6xmDaGgGpr4T8wcGw4bQWzKH9V-XbkNnVM7d1H67eb1OgU37WmKx7x4taPIQvjptdyJEzH

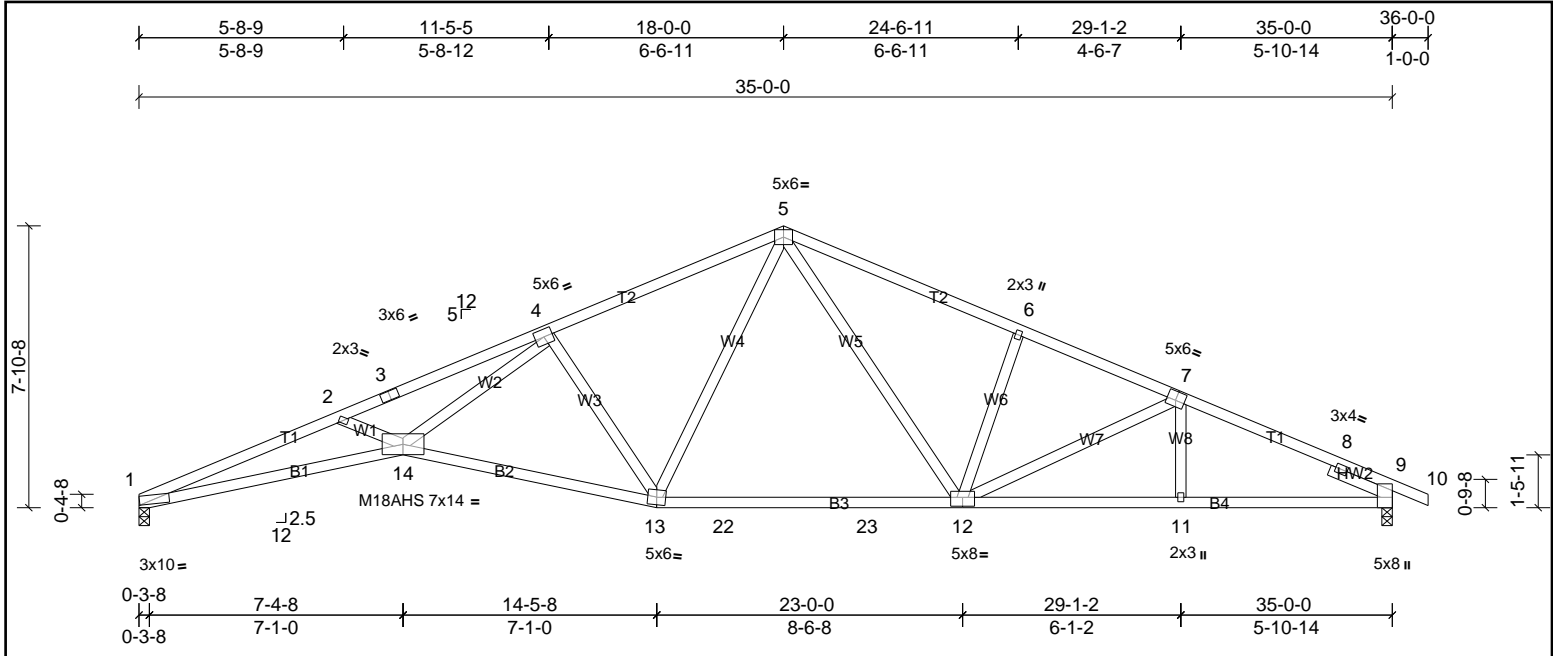


Plate Offsets (X, Y): [7:0-3-0,0-3-0], [12:0-4-0,0-3-0]

Loading	(psf)	Spacing	2-0-0	CSI	DEFL	in	(loc)	l/defl	L/d	PLATES	GRIP	
TCLL (roof)	20.0	Plate Grip DOL	1.15	TC	0.85	Vert(LL)	-0.41	12-13	>999	240	MT20	244/190
TCDL	10.0	Lumber DOL	1.15	BC	0.96	Vert(CT)	-0.82	12-13	>513	180	M18AHS	186/179
BCLL	0.0*	Rep Stress Incr	YES	WB	0.82	Horz(CT)	0.32	9	n/a	n/a		
BCDL	10.0	Code	IRC2015/TPI2014	Matrix-MSH								
											Weight: 178 lb	FT = 20%

LUMBER		BRACING	
TOP CHORD	2x4 SP No.1	TOP CHORD	Structural wood sheathing directly applied or 2-2-0 oc purlins.
BOT CHORD	2x4 SP No.2 *Except* B1:2x4 SP No.1, B4:2x4 SP SS	BOT CHORD	Rigid ceiling directly applied or 2-2-0 oc bracing.
WEBS	2x4 SP No.3 *Except* W2:2x4 SP No.2		
SLIDER	Right 2x4 SP No.3 -- 1-11-0		
REACTIONS			
(lb/size)	1=1399/0-3-8, (min. 0-2-3), 9=1461/0-3-8, (min. 0-2-5)		
Max Horiz	1=133 (LC 15)		
Max Uplift	1=200 (LC 10), 9=214 (LC 11)		
FORCES			
(lb) - Max. Comp./Max. Ten. - All forces 250 (lb) or less except when shown.			
TOP CHORD	1-2=-5483/1425, 2-3=-5200/1290, 3-4=-5167/1310, 4-5=-2181/689, 5-6=-2274/720, 6-7=-2338/672, 7-8=-2544/676, 8-9=-431/0		
BOT CHORD	1-14=-1263/5102, 13-14=-599/2689, 13-22=-256/1620, 22-23=-256/1620, 12-23=-256/1620, 11-12=-514/2269, 9-11=-512/2269		
WEBS	5-13=-184/753, 5-12=-196/761, 6-12=-380/233, 4-13=-1264/448, 4-14=-598/2796, 2-14=-269/214		

- NOTES**
- Unbalanced roof live loads have been considered for this design.
  - Wind: ASCE 7-10; Vult=130mph (3-second gust) Vasd=103mph; TCCL=6.0psf; BCDL=6.0psf; h=35ft; Cat. II; Exp B; Enclosed; MWFRS (envelope) exterior zone and C-C Exterior (2) zone; cantilever left and right exposed; end vertical left and right exposed; C-C for members and forces & MWFRS for reactions shown; Lumber DOL=1.60 plate grip DOL=1.60
  - All plates are MT20 plates unless otherwise indicated.
  - This truss has been designed for a 10.0 psf bottom chord live load nonconcurrent with any other live loads.
  - \* This truss has been designed for a live load of 20.0psf on the bottom chord in all areas where a rectangle 3-06-00 tall by 2-00-00 wide will fit between the bottom chord and any other members, with BCDL = 10.0psf.
  - Bearing at joint(s) 1 considers parallel to grain value using ANSI/TPI 1 angle to grain formula. Building designer should verify capacity of bearing surface.
  - Provide mechanical connection (by others) of truss to bearing plate capable of withstanding 200 lb uplift at joint 1 and 214 lb uplift at joint 9.
  - This truss is designed in accordance with the 2015 International Residential Code sections R502.11.1 and R802.10.2 and referenced standard ANSI/TPI 1.



This design is based upon parameters shown, and is for an individual building component to be installed and loaded vertically. Applicability of design parameters and proper incorporation of component is responsibility of the Building Designer. Building Designer shall verify all design information on this sheet for conformance with conditions and requirements of the specific building and governing codes and ordinances. Building Designer accepts responsibility for the correctness or accuracy of the design information as it may relate to a specific building. Certification is valid only when truss is fabricated by a UFPI plant. Bracing shown is for lateral support of truss members only and does not replace erection and permanent bracing. Refer to Building Component Safety Information (BCSI) for general guidance regarding storage, erection and bracing available from SBCA and Truss Plate Institute.





Job 72435796	Truss A3G	Truss Type Truss	Qty 1	Ply 1	MUNGO HOMES - MCDOWELL B ROOF Job Reference (optional)
-----------------	--------------	---------------------	----------	----------	---

UFP Mid Atlantic LLC, 5631 S. NC 62, Burlington, NC, Joy Perry

Run: 8.81 S Sep 13 2024 Print: 8.810 S Sep 13 2024 MiTek Industries, Inc. Thu Nov 14 15:10:21

Page: 1

ID:q6xmDaGgGpr4T8wcGw4bQWzKH9V-XbkNmVM7d1H67eb1OgU37WmTu761tSIQvjptdyJEzH

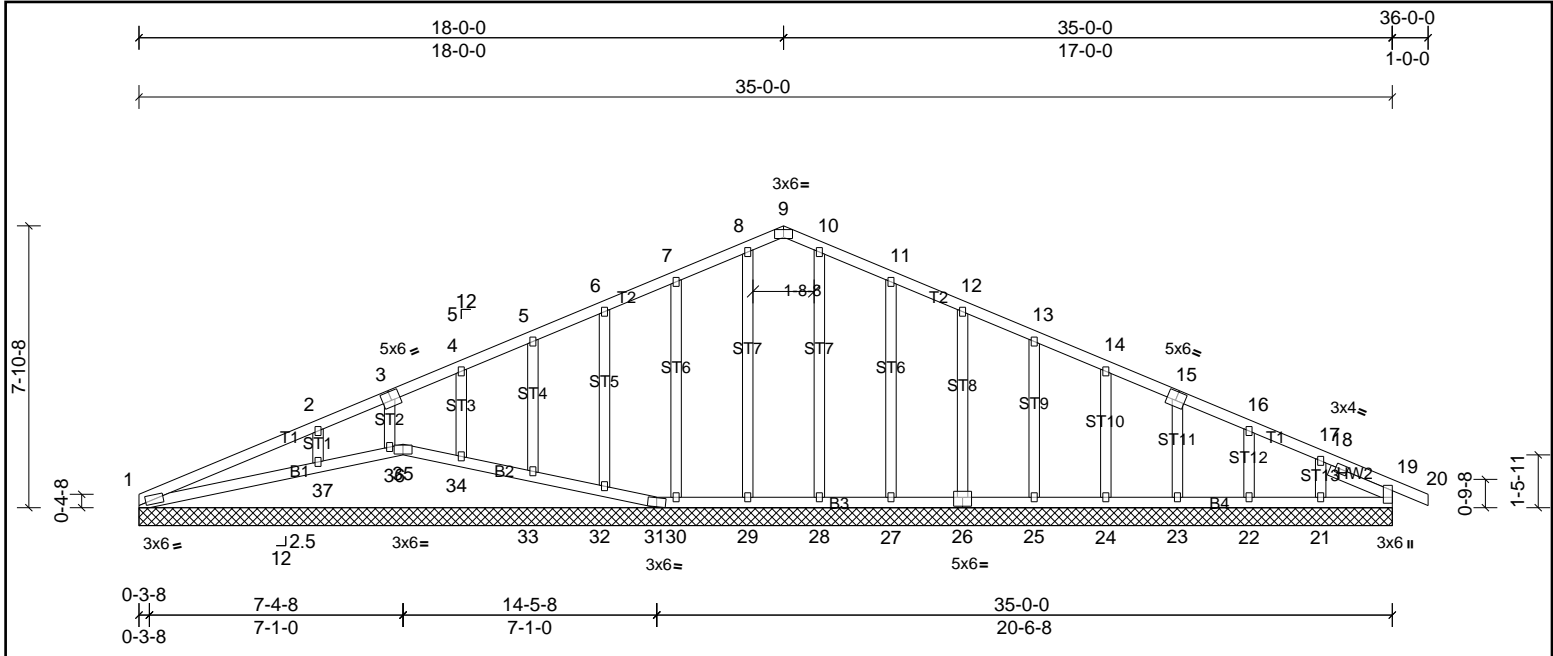


Plate Offsets (X, Y): [3:0-3-0,0-3-0], [9:0-3-0,Edge], [15:0-3-0,0-3-0], [26:0-3-0,0-3-0]

Loading	(psf)	Spacing	2-0-0	CSI	DEFL	in	(loc)	l/defl	L/d	PLATES	GRIP
TCLL (roof)	20.0	Plate Grip DOL	1.15	TC	0.28	Vert(LL)	n/a	-	n/a	999	244/190
TCDL	10.0	Lumber DOL	1.15	BC	0.19	Vert(CT)	n/a	-	n/a	999	
BCLL	0.0*	Rep Stress Incr	YES	WB	0.11	Horz(CT)	0.01	19	n/a	n/a	
BCDL	10.0	Code	IRC2015/TPI2014	Matrix-SH							
										Weight: 201 lb	FT = 20%

LUMBER	BRACING
TOP CHORD 2x4 SP No.2	TOP CHORD Structural wood sheathing directly applied or 6-0-0 oc purlins.
BOT CHORD 2x4 SP No.2	BOT CHORD Rigid ceiling directly applied or 10-0-0 oc bracing, Except:
OTHERS 2x4 SP No.3	6-0-0 oc bracing: 36-37.
SLIDER Right 2x4 SP No.3 -- 1-11-0	
<b>REACTIONS</b>	
All bearings 35-0-0.	
(lb) - Max Horiz 1=136 (LC 10)	
Max Uplift All uplift 100 (lb) or less at joint(s) 1, 21, 22, 23, 24, 25, 26, 27, 30, 31, 32, 33, 34, 36 except 37=129 (LC 10)	
Max Grav All reactions 250 (lb) or less at joint(s) 1, 19, 21, 22, 23, 24, 25, 26, 27, 28, 29, 30, 31, 32, 33, 34, 35, 36 except 37=429 (LC 21)	
<b>FORCES</b>	
(lb) - Max. Comp./Max. Ten. - All forces 250 (lb) or less except when shown.	
<b>WEBS</b>	
2-37=290/185	

- NOTES**
- Unbalanced roof live loads have been considered for this design.
  - Wind: ASCE 7-10; Vult=130mph (3-second gust) Vasd=103mph; TCCL=6.0psf; BCCL=6.0psf; h=35ft; Cat. II; Exp B; Enclosed; MWFRS (envelope) exterior zone and C-C Exterior (2) zone; cantilever left and right exposed; end vertical left and right exposed; C-C for members and forces & MWFRS for reactions shown; Lumber DOL=1.60 plate grip DOL=1.60
  - Truss designed for wind loads in the plane of the truss only.
  - All plates are 2x3 MT20 unless otherwise indicated.
  - Gable requires continuous bottom chord bearing.
  - Gable studs spaced at 2-0-0 oc.
  - This truss has been designed for a 10.0 psf bottom chord live load nonconcurrent with any other live loads.
  - \* This truss has been designed for a live load of 20.0psf on the bottom chord in all areas where a rectangle 3-06-00 tall by 2-00-00 wide will fit between the bottom chord and any other members.
  - Provide mechanical connection (by others) of truss to bearing plate capable of withstanding 100 lb uplift at joint(s) 1, 31, 30, 32, 33, 34, 36, 27, 26, 25, 24, 23, 22, 21 except (jt=lb) 37=129.
  - Beveled plate or shim required to provide full bearing surface with truss chord at joint(s) 35, 32, 33, 34, 36, 37.
  - This truss is designed in accordance with the 2015 International Residential Code sections R502.11.1 and R802.10.2 and referenced standard ANSI/TPI 1.



This design is based upon parameters shown, and is for an individual building component to be installed and loaded vertically. Applicability of design parameters and proper incorporation of component is responsibility of the Building Designer. Building Designer shall verify all design information on this sheet for conformance with conditions and requirements of the specific building and governing codes and ordinances. Building Designer accepts responsibility for the correctness or accuracy of the design information as it may relate to a specific building. Certification is valid only when truss is fabricated by a UFPI plant. Bracing shown is for lateral support of truss members only and does not replace erection and permanent bracing. Refer to Building Component Safety Information (BCSI) for general guidance regarding storage, erection and bracing available from SBCA and Truss Plate Institute.



Job 72435796	Truss P1	Truss Type Truss	Qty 11	Ply 1	MUNGO HOMES - MCDOWELL B ROOF Job Reference (optional)
-----------------	-------------	---------------------	-----------	----------	---

UFPI Mid Atlantic LLC, 5631 S. NC 62, Burlington, NC, Joy Perry

Run: 8.81 S Sep 13 2024 Print: 8.810 S Sep 13 2024 MiTek Industries, Inc. Thu Nov 14 15:10:21

Page: 1

ID:q6xmDaGgGpr4T8wcGw4bQWzKH9V-?nll\_rNIOLPzloADxN?lgkJg5XTcsDTRfZTMP3yJEzG

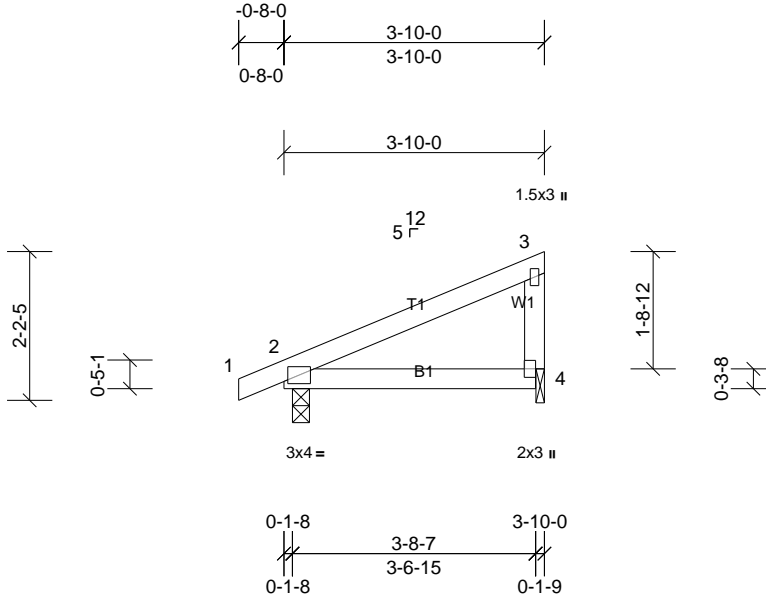


Plate Offsets (X, Y): [4:Edge,0-0-1]

Loading	(psf)	Spacing	2-0-0	CSI	DEFL	in	(loc)	l/defl	L/d	PLATES	GRIP	
TCLL (roof)	20.0	Plate Grip DOL	1.15	TC	0.19	Vert(LL)	0.02	4-7	>999	240	MT20	244/190
TCDL	10.0	Lumber DOL	1.15	BC	0.16	Vert(CT)	-0.02	4-7	>999	180		
BCLL	0.0*	Rep Stress Incr	YES	WB	0.00	Horz(CT)	0.00	2	n/a	n/a		
BCDL	10.0	Code	IRC2015/TPI2014	Matrix-MP							Weight: 15 lb	FT = 20%

**LUMBER**

TOP CHORD 2x4 SP No.2  
 BOT CHORD 2x4 SP No.2  
 WEBS 2x4 SP No.3

**BRACING**

TOP CHORD Structural wood sheathing directly applied or 3-10-0 oc purlins, except end verticals.  
 BOT CHORD Rigid ceiling directly applied or 10-0-0 oc bracing.

**REACTIONS**

(lb/size) 2=191/0-3-0, (min. 0-1-8), 4=144/0-1-8, (min. 0-1-8)  
 Max Horiz 2=76 (LC 9)  
 Max Uplift 2=64 (LC 6), 4=56 (LC 7)

**FORCES**

(lb) - Max. Comp./Max. Ten. - All forces 250 (lb) or less except when shown.

**NOTES**

- Unbalanced roof live loads have been considered for this design.
- Wind: ASCE 7-10; Vult=130mph (3-second gust) Vasd=103mph; TCDL=6.0psf; BCDL=6.0psf; h=35ft; Cat. II; Exp B; Enclosed; MWFRS (envelope) exterior zone and C-C Exterior (2) zone; cantilever left and right exposed; end vertical left and right exposed; porch left and right exposed; C-C for members and forces & MWFRS for reactions shown; Lumber DOL=1.60 plate grip DOL=1.60
- This truss has been designed for a 10.0 psf bottom chord live load nonconcurrent with any other live loads.
- \* This truss has been designed for a live load of 20.0psf on the bottom chord in all areas where a rectangle 3-06-00 tall by 2-00-00 wide will fit between the bottom chord and any other members.
- Bearing at joint(s) 4 considers parallel to grain value using ANSI/TPI 1 angle to grain formula. Building designer should verify capacity of bearing surface.
- Provide mechanical connection (by others) of truss to bearing plate at joint(s) 4.
- Provide mechanical connection (by others) of truss to bearing plate capable of withstanding 64 lb uplift at joint 2 and 56 lb uplift at joint 4.
- This truss is designed in accordance with the 2015 International Residential Code sections R502.11.1 and R802.10.2 and referenced standard ANSI/TPI 1.



This design is based upon parameters shown, and is for an individual building component to be installed and loaded vertically. Applicability of design parameters and proper incorporation of component is responsibility of the Building Designer. Building Designer shall verify all design information on this sheet for conformance with conditions and requirements of the specific building and governing codes and ordinances. Building Designer accepts responsibility for the correctness or accuracy of the design information as it may relate to a specific building. Certification is valid only when truss is fabricated by a UFPI plant. Bracing shown is for lateral support of truss members only and does not replace erection and permanent bracing. Refer to Building Component Safety Information (BCSI) for general guidance regarding storage, erection and bracing available from SBCA and Truss Plate Institute.



Job 72435796	Truss P2	Truss Type Truss	Qty 1	Ply 1	MUNGO HOMES - MCDOWELL B ROOF Job Reference (optional)
-----------------	-------------	---------------------	----------	----------	---

UFPI Mid Atlantic LLC, 5631 S. NC 62, Burlington, NC, Joy Perry

Run: 8.81 S Sep 13 2024 Print: 8.810 S Sep 13 2024 MiTek Industries, Inc. Thu Nov 14 15:10:21

Page: 1

ID:q6xmDaGgGpr4T8wcGw4bQWzKH9V-?nll\_rNiOLPzIoADxN?lgkJheXU4cDTRfZTMP3yJEzG

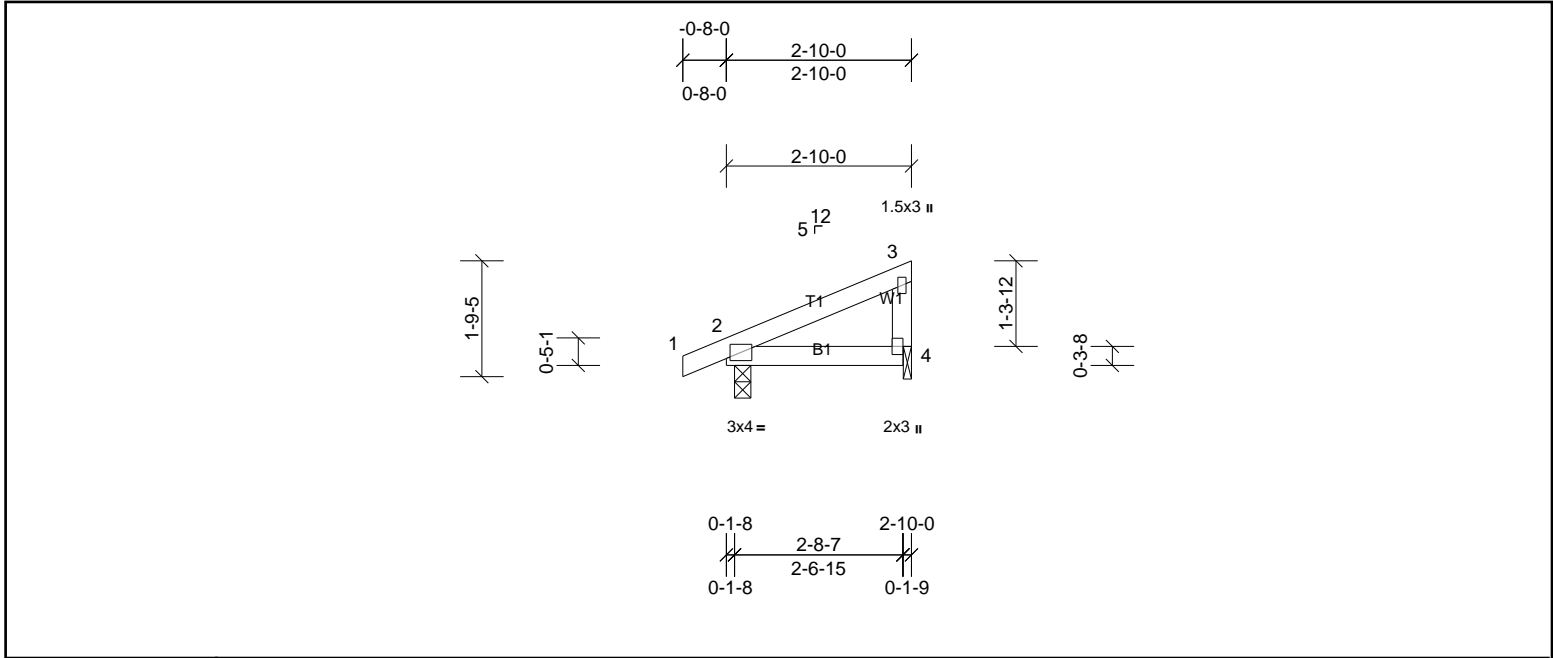


Plate Offsets (X, Y): [4:Edge,0-0-1]

Loading	(psf)	Spacing	2-0-0	CSI	DEFLL	in	(loc)	l/defl	L/d	PLATES	GRIP	
TCLL (roof)	20.0	Plate Grip DOL	1.15	TC	0.09	Vert(LL)	0.01	4-7	>999	240	MT20	244/190
TCDL	10.0	Lumber DOL	1.15	BC	0.08	Vert(CT)	-0.01	4-7	>999	180		
BCLL	0.0*	Rep Stress Incr	YES	WB	0.00	Horz(CT)	0.00	2	n/a	n/a		
BCDL	10.0	Code	IRC2015/TPI2014	Matrix-MP							Weight: 11 lb	FT = 20%

LUMBER		BRACING	
TOP CHORD	2x4 SP No.2	TOP CHORD	Structural wood sheathing directly applied or 2-10-0 oc purlins, except end verticals.
BOT CHORD	2x4 SP No.2	BOT CHORD	Rigid ceiling directly applied or 10-0-0 oc bracing.
WEBS	2x4 SP No.3		

**REACTIONS** (lb/size) 2=152/0-3-0, (min. 0-1-8), 4=103/0-1-8, (min. 0-1-8)  
 Max Horiz 2=58 (LC 9)  
 Max Uplift 2=53 (LC 6), 4=41 (LC 7)

**FORCES** (lb) - Max. Comp./Max. Ten. - All forces 250 (lb) or less except when shown.

- NOTES**
- Unbalanced roof live loads have been considered for this design.
  - Wind: ASCE 7-10; Vult=130mph (3-second gust) Vasd=103mph; TCCL=6.0psf; BCCL=6.0psf; h=35ft; Cat. II; Exp B; Enclosed; MWFRS (envelope) exterior zone and C-C Exterior (2) zone; cantilever left and right exposed; end vertical left and right exposed; porch left and right exposed; C-C for members and forces & MWFRS for reactions shown; Lumber DOL=1.60 plate grip DOL=1.60
  - This truss has been designed for a 10.0 psf bottom chord live load nonconcurrent with any other live loads.
  - \* This truss has been designed for a live load of 20.0psf on the bottom chord in all areas where a rectangle 3-06-00 tall by 2-00-00 wide will fit between the bottom chord and any other members.
  - Bearing at joint(s) 4 considers parallel to grain value using ANSI/TPI 1 angle to grain formula. Building designer should verify capacity of bearing surface.
  - Provide mechanical connection (by others) of truss to bearing plate at joint(s) 4.
  - Provide mechanical connection (by others) of truss to bearing plate capable of withstanding 53 lb uplift at joint 2 and 41 lb uplift at joint 4.
  - This truss is designed in accordance with the 2015 International Residential Code sections R502.11.1 and R802.10.2 and referenced standard ANSI/TPI 1.



This design is based upon parameters shown, and is for an individual building component to be installed and loaded vertically. Applicability of design parameters and proper incorporation of component is responsibility of the Building Designer. Building Designer shall verify all design information on this sheet for conformance with conditions and requirements of the specific building and governing codes and ordinances. Building Designer accepts responsibility for the correctness or accuracy of the design information as it may relate to a specific building. Certification is valid only when truss is fabricated by a UFPI plant. Bracing shown is for lateral support of truss members only and does not replace erection and permanent bracing. Refer to Building Component Safety Information (BCSI) for general guidance regarding storage, erection and bracing available from SBCA and Truss Plate Institute.





Job 72435796	Truss V1	Truss Type Truss	Qty 1	Ply 1	MUNGO HOMES - MCDOWELL B ROOF Job Reference (optional)
-----------------	-------------	---------------------	----------	----------	---

UFP Mid Atlantic LLC, 5631 S. NC 62, Burlington, NC, Joy Perry

Run: 8.81 S Sep 13 2024 Print: 8.810 S Sep 13 2024 MiTek Industries, Inc. Thu Nov 14 15:10:21

Page: 1

ID:q6xmDaGgGpr4T8wcGw4bQWzKH9V-?nll\_rNIOLPzloADxN?IqkJfcXTwcDeRfZTMP3yJEzG

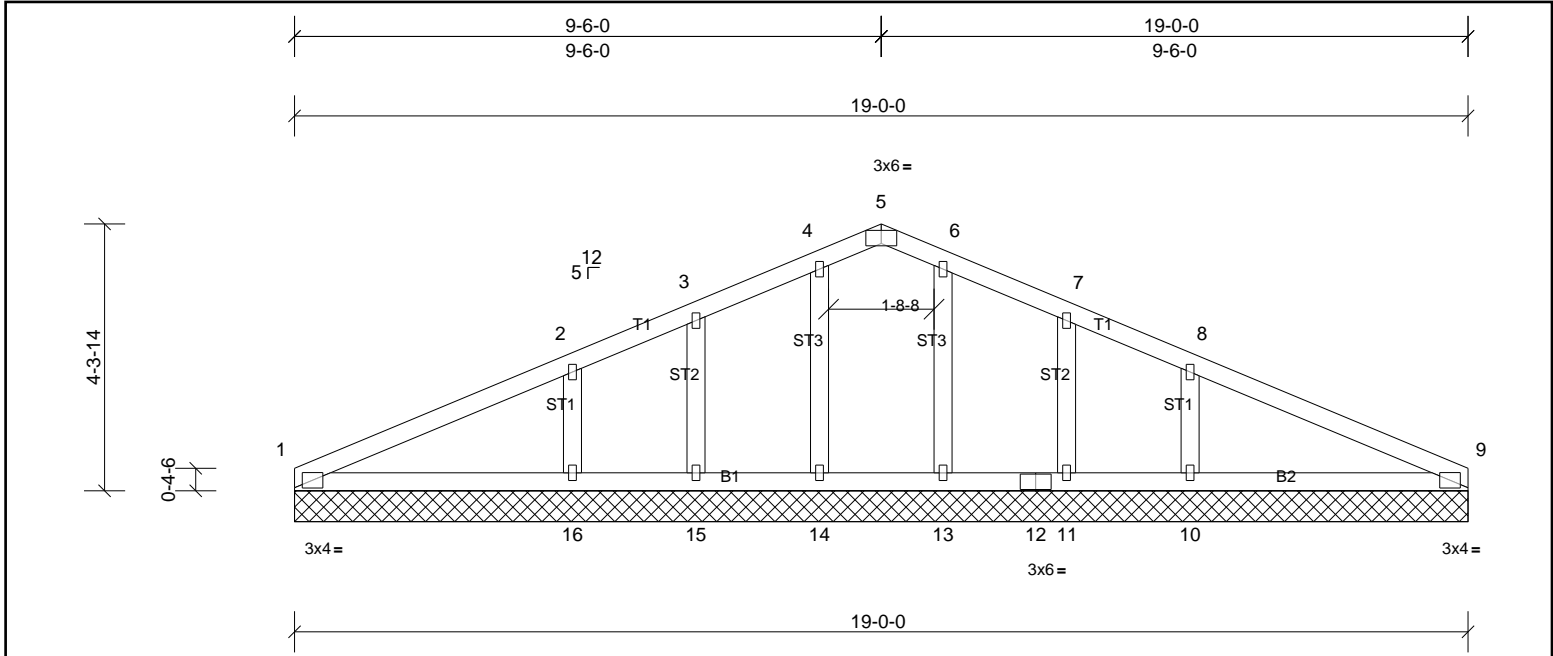


Plate Offsets (X, Y): [5:0-3-0,Edge]

Loading	(psf)	Spacing	2-0-0	CSI	DEFL	in	(loc)	l/defl	L/d	PLATES	GRIP	
TCLL (roof)	20.0	Plate Grip DOL	1.15	TC	0.22	Vert(LL)	n/a	-	n/a	999	MT20	244/190
TCDL	10.0	Lumber DOL	1.15	BC	0.15	Vert(TL)	n/a	-	n/a	999		
BCLL	0.0*	Rep Stress Incr	YES	WB	0.05	Horiz(TL)	0.00	9	n/a	n/a		
BCDL	10.0	Code	IRC2015/TPI2014	Matrix-SH							Weight: 82 lb	FT = 20%

LUMBER		BRACING	
TOP CHORD	2x4 SP No.2	TOP CHORD	Structural wood sheathing directly applied or 6-0-0 oc purlins.
BOT CHORD	2x4 SP No.2	BOT CHORD	Rigid ceiling directly applied or 10-0-0 oc bracing.
OTHERS	2x4 SP No.3		

REACTIONS	
All bearings	19-0-0.
(lb) - Max Horiz	1=-70 (LC 11)
Max Uplift	All uplift 100 (lb) or less at joint(s) 1, 9, 11, 13, 14, 15 except 10=-109 (LC 11), 16=-110 (LC 10)
Max Grav	All reactions 250 (lb) or less at joint(s) 1, 9, 11, 13, 14, 15 except 10=373 (LC 1), 16=373 (LC 1)

FORCES	
(lb) - Max. Comp./Max. Ten. - All forces	250 (lb) or less except when shown.
WEBS	2-16=-256/159, 8-10=-256/159

- NOTES**
- Unbalanced roof live loads have been considered for this design.
  - Wind: ASCE 7-10; Vult=130mph (3-second gust) Vasd=103mph; TCCL=6.0psf; BCDL=6.0psf; h=35ft; Cat. II; Exp B; Enclosed; MWFRS (envelope) exterior zone and C-C Exterior (2) zone; cantilever left and right exposed; end vertical left and right exposed; C-C for members and forces & MWFRS for reactions shown; Lumber DOL=1.60 plate grip DOL=1.60
  - All plates are 1.5x3 MT20 unless otherwise indicated.
  - Gable requires continuous bottom chord bearing.
  - This truss has been designed for a 10.0 psf bottom chord live load nonconcurrent with any other live loads.
  - \* This truss has been designed for a live load of 20.0psf on the bottom chord in all areas where a rectangle 3-06-00 tall by 2-00-00 wide will fit between the bottom chord and any other members.
  - Provide mechanical connection (by others) of truss to bearing plate capable of withstanding 100 lb uplift at joint(s) 1, 9, 14, 15, 13, 11 except (jt=lb) 16=109, 10=108.
  - This truss is designed in accordance with the 2015 International Residential Code sections R502.11.1 and R802.10.2 and referenced standard ANSI/TPI 1.



This design is based upon parameters shown, and is for an individual building component to be installed and loaded vertically. Applicability of design parameters and proper incorporation of component is responsibility of the Building Designer. Building Designer shall verify all design information on this sheet for conformance with conditions and requirements of the specific building and governing codes and ordinances. Building Designer accepts responsibility for the correctness or accuracy of the design information as it may relate to a specific building. Certification is valid only when truss is fabricated by a UFPI plant. Bracing shown is for lateral support of truss members only and does not replace erection and permanent bracing. Refer to Building Component Safety Information (BCSI) for general guidance regarding storage, erection and bracing available from SBCA and Truss Plate Institute.



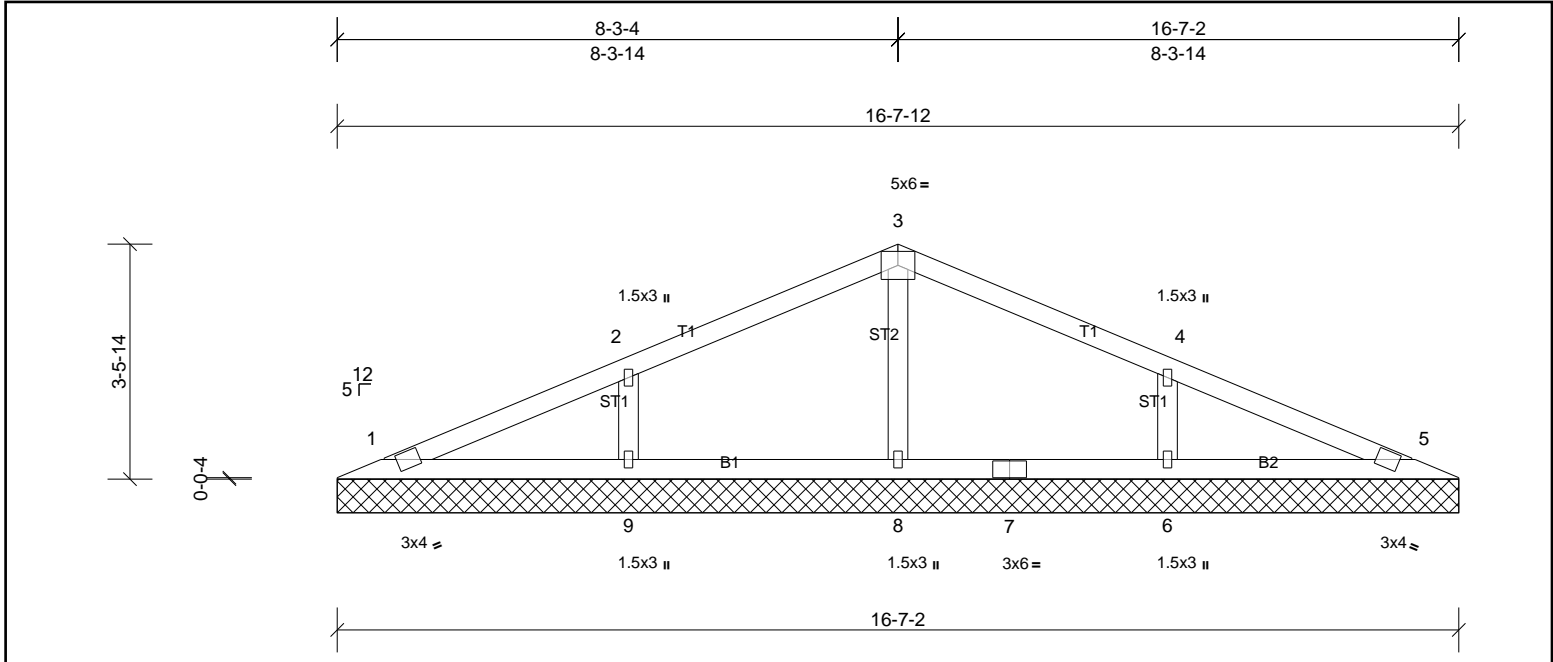
Job 72435796	Truss V2	Truss Type Truss	Qty 1	Ply 1	MUNGO HOMES - MCDOWELL B ROOF Job Reference (optional)
-----------------	-------------	---------------------	----------	----------	---

UFP Mid Atlantic LLC, 5631 S. NC 62, Burlington, NC, Joy Perry

Run: 8.81 S Sep 13 2024 Print: 8.810 S Sep 13 2024 MiTek Industries, Inc. Thu Nov 14 15:10:21

Page: 1

ID:q6xmDaGgGpr4T8wcGw4bQWzKH9V-?nll\_rNIOLPzloADxN?lgkJfrXUVcDdRfZTMP3yJEzG



Loading	(psf)	Spacing	2-0-0	CSI	DEFL	in	(loc)	l/defl	L/d	PLATES	GRIP	
TCLL (roof)	20.0	Plate Grip DOL	1.15	TC	0.20	Vert(LL)	n/a	-	n/a	999	MT20	244/190
TCDL	10.0	Lumber DOL	1.15	BC	0.12	Vert(TL)	n/a	-	n/a	999		
BCLL	0.0*	Rep Stress Incr	YES	WB	0.05	Horiz(TL)	0.00	5	n/a	n/a		
BCDL	10.0	Code	IRC2015/TPI2014	Matrix-SH							Weight: 57 lb	FT = 20%

LUMBER	BRACING
TOP CHORD 2x4 SP No.2	TOP CHORD Structural wood sheathing directly applied or 6-0-0 oc purlins.
BOT CHORD 2x4 SP No.2	BOT CHORD Rigid ceiling directly applied or 10-0-0 oc bracing.
OTHERS 2x4 SP No.3	

REACTIONS
All bearings 16-7-12.
(lb) - Max Horiz 1=56 (LC 10)
Max Uplift All uplift 100 (lb) or less at joint(s) 1, 5 except 6=-112 (LC 11), 9=-112 (LC 10)
Max Grav All reactions 250 (lb) or less at joint(s) 1, 5 except 6=362 (LC 22), 8=273 (LC 1), 9=362 (LC 21)

FORCES
(lb) - Max. Comp./Max. Ten. - All forces 250 (lb) or less except when shown.
WEBS 2-9=-268/173, 4-6=-268/173

- NOTES**
- Unbalanced roof live loads have been considered for this design.
  - Wind: ASCE 7-10; Vult=130mph (3-second gust) Vasd=103mph; TCCL=6.0psf; BCDL=6.0psf; h=35ft; Cat. II; Exp B; Enclosed; MWFRS (envelope) exterior zone and C-C Exterior (2) zone; cantilever left and right exposed; end vertical left and right exposed; C-C for members and forces & MWFRS for reactions shown; Lumber DOL=1.60 plate grip DOL=1.60
  - Gable requires continuous bottom chord bearing.
  - This truss has been designed for a 10.0 psf bottom chord live load nonconcurrent with any other live loads.
  - \* This truss has been designed for a live load of 20.0psf on the bottom chord in all areas where a rectangle 3-06-00 tall by 2-00-00 wide will fit between the bottom chord and any other members.
  - Provide mechanical connection (by others) of truss to bearing plate capable of withstanding 100 lb uplift at joint(s) 1, 5 except (jt=lb) 9=111, 6=111.
  - This truss is designed in accordance with the 2015 International Residential Code sections R502.11.1 and R802.10.2 and referenced standard ANSI/TPI 1.



This design is based upon parameters shown, and is for an individual building component to be installed and loaded vertically. Applicability of design parameters and proper incorporation of component is responsibility of the Building Designer. Building Designer shall verify all design information on this sheet for conformance with conditions and requirements of the specific building and governing codes and ordinances. Building Designer accepts responsibility for the correctness or accuracy of the design information as it may relate to a specific building. Certification is valid only when truss is fabricated by a UFPI plant. Bracing shown is for lateral support of truss members only and does not replace erection and permanent bracing. Refer to Building Component Safety Information (BCSI) for general guidance regarding storage, erection and bracing available from SBCA and Truss Plate Institute.



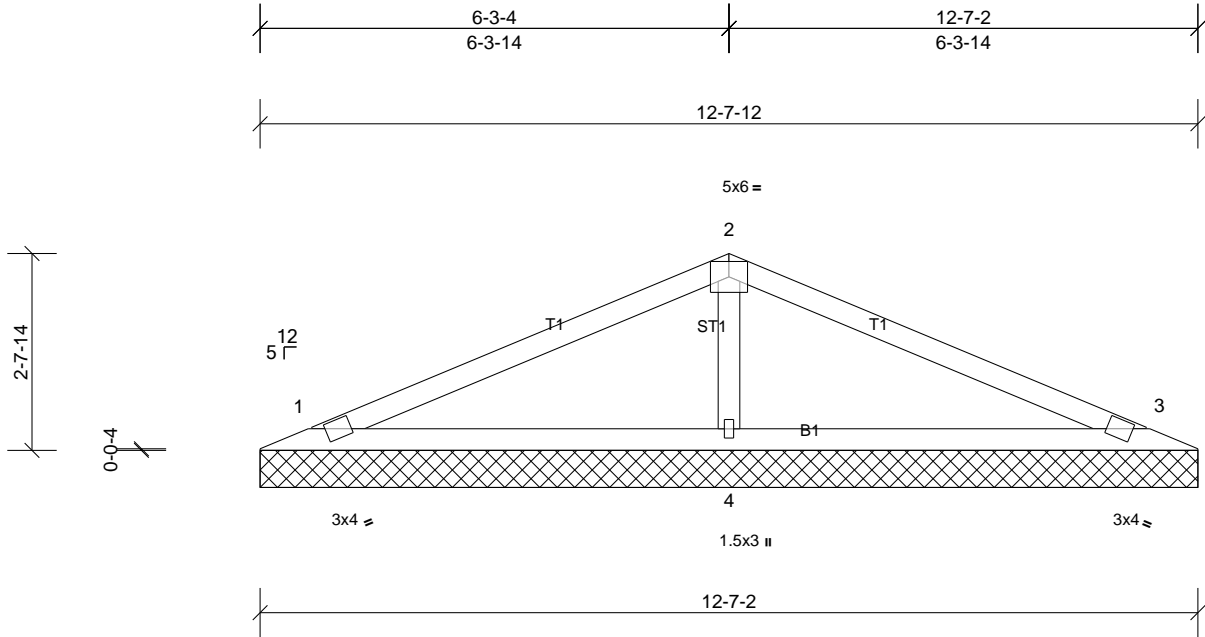
Job 72435796	Truss V3	Truss Type Truss	Qty 1	Ply 1	MUNGO HOMES - MCDOWELL B ROOF Job Reference (optional)
-----------------	-------------	---------------------	----------	----------	---

UFP Mid Atlantic LLC, 5631 S. NC 62, Burlington, NC, Joy Perry

Run: 8.81 S Sep 13 2024 Print: 8.810 S Sep 13 2024 MiTek Industries, Inc. Thu Nov 14 15:10:21

Page: 1

ID:q6xmDaGgGpr4T8wcGw4bQWzKH9V-?nll\_rNIOLPzloADxN?IglJcaXRWcCNRfZTMP3yJEzG



Loading	(psf)	Spacing	2-0-0	CSI	DEFL	in	(loc)	l/defl	L/d	PLATES	GRIP	
TCLL (roof)	20.0	Plate Grip DOL	1.15	TC	0.41	Vert(LL)	n/a	-	n/a	999	MT20	244/190
TCDL	10.0	Lumber DOL	1.15	BC	0.31	Vert(TL)	n/a	-	n/a	999		
BCLL	0.0*	Rep Stress Incr	YES	WB	0.07	Horiz(TL)	0.00	3	n/a	n/a		
BCDL	10.0	Code	IRC2015/TPI2014	Matrix-SH							Weight: 40 lb	FT = 20%

LUMBER		BRACING	
TOP CHORD	2x4 SP No.2	TOP CHORD	Structural wood sheathing directly applied or 6-0-0 oc purlins.
BOT CHORD	2x4 SP No.2	BOT CHORD	Rigid ceiling directly applied or 10-0-0 oc bracing.
OTHERS	2x4 SP No.3		

REACTIONS	(lb/size)	1=195/12-7-12, (min. 0-1-8), 3=195/12-7-12, (min. 0-1-8), 4=509/12-7-12, (min. 0-1-8)
Max Horiz	1=41 (LC 11)	
Max Uplift	1=44 (LC 10), 3=51 (LC 11), 4=39 (LC 10)	
Max Grav	1=201 (LC 21), 3=201 (LC 22), 4=509 (LC 1)	

**FORCES** (lb) - Max. Comp./Max. Ten. - All forces 250 (lb) or less except when shown.  
**WEBS** 2-4=323/168

- NOTES**
- Unbalanced roof live loads have been considered for this design.
  - Wind: ASCE 7-10; Vult=130mph (3-second gust) Vasd=103mph; TCCL=6.0psf; BCDL=6.0psf; h=35ft; Cat. II; Exp B; Enclosed; MWFRS (envelope) exterior zone and C-C Exterior (2) zone; cantilever left and right exposed; end vertical left and right exposed; C-C for members and forces & MWFRS for reactions shown; Lumber DOL=1.60 plate grip DOL=1.60
  - Gable requires continuous bottom chord bearing.
  - This truss has been designed for a 10.0 psf bottom chord live load nonconcurrent with any other live loads.
  - \* This truss has been designed for a live load of 20.0psf on the bottom chord in all areas where a rectangle 3-06-00 tall by 2-00-00 wide will fit between the bottom chord and any other members.
  - Provide mechanical connection (by others) of truss to bearing plate capable of withstanding 44 lb uplift at joint 1, 51 lb uplift at joint 3 and 39 lb uplift at joint 4.
  - This truss is designed in accordance with the 2015 International Residential Code sections R502.11.1 and R802.10.2 and referenced standard ANSI/TPI 1.



This design is based upon parameters shown, and is for an individual building component to be installed and loaded vertically. Applicability of design parameters and proper incorporation of component is responsibility of the Building Designer. Building Designer shall verify all design information on this sheet for conformance with conditions and requirements of the specific building and governing codes and ordinances. Building Designer accepts responsibility for the correctness or accuracy of the design information as it may relate to a specific building. Certification is valid only when truss is fabricated by a UFPI plant. Bracing shown is for lateral support of truss members only and does not replace erection and permanent bracing. Refer to Building Component Safety Information (BCSI) for general guidance regarding storage, erection and bracing available from SBCA and Truss Plate Institute.



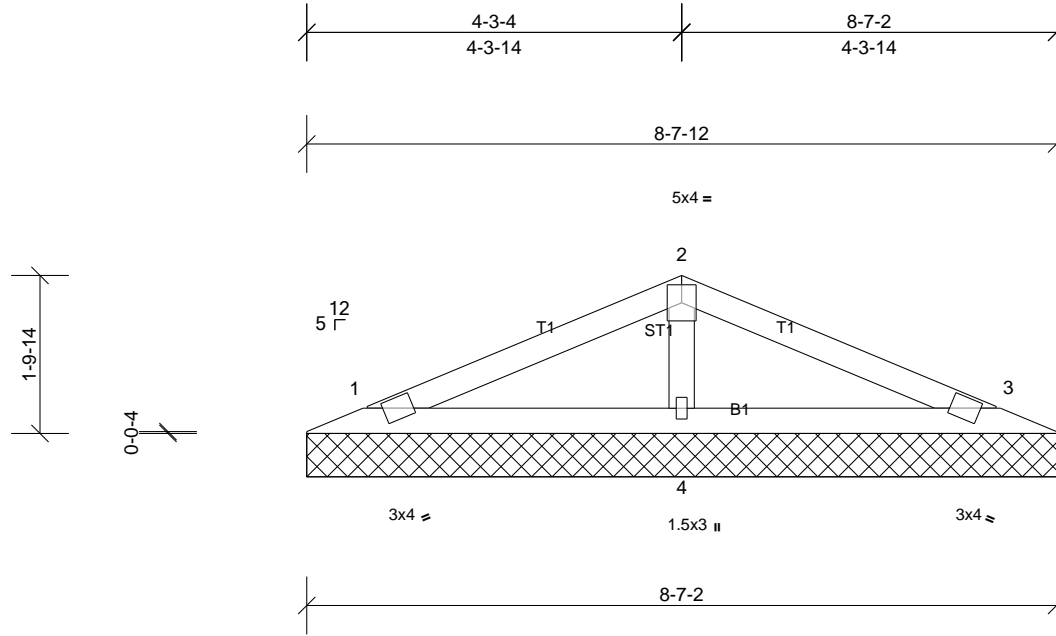
Job 72435796	Truss V4	Truss Type Truss	Qty 1	Ply 1	MUNGO HOMES - MCDOWELL B ROOF Job Reference (optional)
-----------------	-------------	---------------------	----------	----------	---

UFP Mid Atlantic LLC, 5631 S. NC 62, Burlington, NC, Joy Perry

Run: 8.81 S Sep 13 2024 Print: 8.810 S Sep 13 2024 MiTek Industries, Inc. Thu Nov 14 15:10:21

Page: 1

ID:q6xmDaGgGpr4T8wcGw4bQWzKH9V-?nll\_rNIOLPzloADxN?IlgkJgXXTlcDqRfZTMP3yJEzG



Loading	(psf)	Spacing	2-0-0	CSI	DEFL	in	(loc)	l/defl	L/d	PLATES	GRIP	
TCLL (roof)	20.0	Plate Grip DOL	1.15	TC	0.16	Vert(LL)	n/a	-	n/a	999	MT20	244/190
TCDL	10.0	Lumber DOL	1.15	BC	0.13	Vert(TL)	n/a	-	n/a	999		
BCLL	0.0*	Rep Stress Incr	YES	WB	0.04	Horiz(TL)	0.00	3	n/a	n/a		
BCDL	10.0	Code	IRC2015/TPI2014	Matrix-SH							Weight: 26 lb	FT = 20%

**LUMBER**  
TOP CHORD 2x4 SP No.2  
BOT CHORD 2x4 SP No.2  
OTHERS 2x4 SP No.3

**BRACING**  
TOP CHORD Structural wood sheathing directly applied or 6-0-0 oc purlins.  
BOT CHORD Rigid ceiling directly applied or 10-0-0 oc bracing.

**REACTIONS** (lb/size) 1=126/8-7-12, (min. 0-1-8), 3=126/8-7-12, (min. 0-1-8), 4=328/8-7-12, (min. 0-1-8)  
Max Horiz 1=-27 (LC 15)  
Max Uplift 1=-28 (LC 10), 3=-33 (LC 11), 4=-25 (LC 10)  
Max Grav 1=129 (LC 21), 3=129 (LC 22), 4=328 (LC 1)

**FORCES** (lb) - Max. Comp./Max. Ten. - All forces 250 (lb) or less except when shown.

- NOTES**
- Unbalanced roof live loads have been considered for this design.
  - Wind: ASCE 7-10; Vult=130mph (3-second gust) Vasd=103mph; TCDL=6.0psf; BCDL=6.0psf; h=35ft; Cat. II; Exp B; Enclosed; MWFRS (envelope) exterior zone and C-C Exterior (2) zone; cantilever left and right exposed; end vertical left and right exposed; C-C for members and forces & MWFRS for reactions shown; Lumber DOL=1.60 plate grip DOL=1.60
  - Gable requires continuous bottom chord bearing.
  - This truss has been designed for a 10.0 psf bottom chord live load nonconcurrent with any other live loads.
  - \* This truss has been designed for a live load of 20.0psf on the bottom chord in all areas where a rectangle 3-06-00 tall by 2-00-00 wide will fit between the bottom chord and any other members.
  - Provide mechanical connection (by others) of truss to bearing plate capable of withstanding 28 lb uplift at joint 1, 33 lb uplift at joint 3 and 25 lb uplift at joint 4.
  - This truss is designed in accordance with the 2015 International Residential Code sections R502.11.1 and R802.10.2 and referenced standard ANSI/TPI 1.



This design is based upon parameters shown, and is for an individual building component to be installed and loaded vertically. Applicability of design parameters and proper incorporation of component is responsibility of the Building Designer. Building Designer shall verify all design information on this sheet for conformance with conditions and requirements of the specific building and governing codes and ordinances. Building Designer accepts responsibility for the correctness or accuracy of the design information as it may relate to a specific building. Certification is valid only when truss is fabricated by a UFPI plant. Bracing shown is for lateral support of truss members only and does not replace erection and permanent bracing. Refer to Building Component Safety Information (BCSI) for general guidance regarding storage, erection and bracing available from SBCA and Truss Plate Institute.



Job 72435796	Truss V5	Truss Type Truss	Qty 1	Ply 1	MUNGO HOMES - MCDOWELL B ROOF Job Reference (optional)
-----------------	-------------	---------------------	----------	----------	---

UFP Mid Atlantic LLC, 5631 S. NC 62, Burlington, NC, Joy Perry

Run: 8.81 S Sep 13 2024 Print: 8.810 S Sep 13 2024 MiTek Industries, Inc. Thu Nov 14 15:10:22

Page: 1

ID:q6xmDaGgGpr4T8wcGw4bQWzKH9V-T\_s7BBON9eXpNylPV5XXCxt1xpWLGibuDCwxWyJEzF

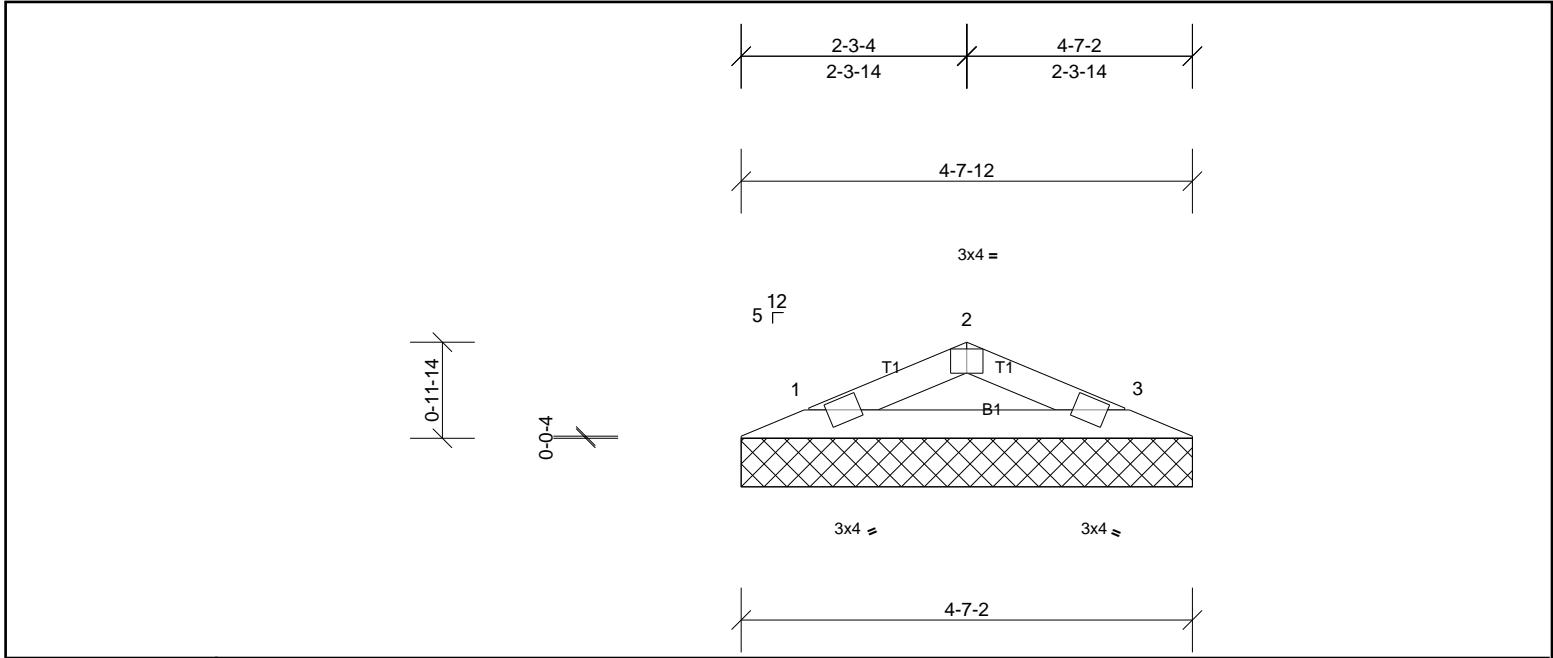


Plate Offsets (X, Y): [2:0-2-0,Edge]

Loading	(psf)	Spacing	2-0-0	CSI	DEFL	in	(loc)	l/defl	L/d	PLATES	GRIP	
TCLL (roof)	20.0	Plate Grip DOL	1.15	TC	0.05	Vert(LL)	n/a	-	n/a	999	MT20	244/190
TCDL	10.0	Lumber DOL	1.15	BC	0.13	Vert(TL)	n/a	-	n/a	999		
BCLL	0.0*	Rep Stress Incr	YES	WB	0.00	Horiz(TL)	0.00	3	n/a	n/a		
BCDL	10.0	Code	IRC2015/TPI2014	Matrix-P							Weight: 12 lb	FT = 20%

LUMBER		BRACING	
TOP CHORD	2x4 SP No.2	TOP CHORD	Structural wood sheathing directly applied or 4-9-0 oc purlins.
BOT CHORD	2x4 SP No.2	BOT CHORD	Rigid ceiling directly applied or 10-0-0 oc bracing.
REACTIONS	(lb/size)	1=130/4-7-12, (min. 0-1-8), 3=130/4-7-12, (min. 0-1-8)	
	Max Horiz	1=12 (LC 14)	
	Max Uplift	1=18 (LC 10), 3=18 (LC 11)	

**FORCES** (lb) - Max. Comp./Max. Ten. - All forces 250 (lb) or less except when shown.

**NOTES**

- Unbalanced roof live loads have been considered for this design.
- Wind: ASCE 7-10; Vult=130mph (3-second gust) Vasd=103mph; TCDL=6.0psf; BCDL=6.0psf; h=35ft; Cat. II; Exp B; Enclosed; MWFRS (envelope) exterior zone and C-C Exterior (2) zone; cantilever left and right exposed; end vertical left and right exposed; C-C for members and forces & MWFRS for reactions shown; Lumber DOL=1.60 plate grip DOL=1.60
- Gable requires continuous bottom chord bearing.
- This truss has been designed for a 10.0 psf bottom chord live load nonconcurrent with any other live loads.
- \* This truss has been designed for a live load of 20.0psf on the bottom chord in all areas where a rectangle 3-06-00 tall by 2-00-00 wide will fit between the bottom chord and any other members.
- Provide mechanical connection (by others) of truss to bearing plate capable of withstanding 18 lb uplift at joint 1 and 18 lb uplift at joint 3.
- This truss is designed in accordance with the 2015 International Residential Code sections R502.11.1 and R802.10.2 and referenced standard ANSI/TPI 1.



This design is based upon parameters shown, and is for an individual building component to be installed and loaded vertically. Applicability of design parameters and proper incorporation of component is responsibility of the Building Designer. Building Designer shall verify all design information on this sheet for conformance with conditions and requirements of the specific building and governing codes and ordinances. Building Designer accepts responsibility for the correctness or accuracy of the design information as it may relate to a specific building. Certification is valid only when truss is fabricated by a UFPI plant. Bracing shown is for lateral support of truss members only and does not replace erection and permanent bracing. Refer to Building Component Safety Information (BCSI) for general guidance regarding storage, erection and bracing available from SBCA and Truss Plate Institute.

