

Job 72439475	Truss F200	Truss Type Truss	Qty 5	Ply 1	MUNGO HOMES - TELFAIR 2ND FLR Job Reference (optional)
-----------------	---------------	---------------------	----------	----------	-----------------------------------------------------------

UFP Mid Atlantic LLC, 5631 S. NC 62, Burlington, NC, Joy Perry

Run: 8.81 S Sep 13 2024 Print: 8.810 S Sep 13 2024 MiTek Industries, Inc. Mon Dec 30 12:12:40

Page: 1

ID:a?q6?71yTv6SHVH?OIzqvZz8gqv-q0_OnvBmzhFQTMuXVRhudAJUbaYUVayThmPlsMy3o9r

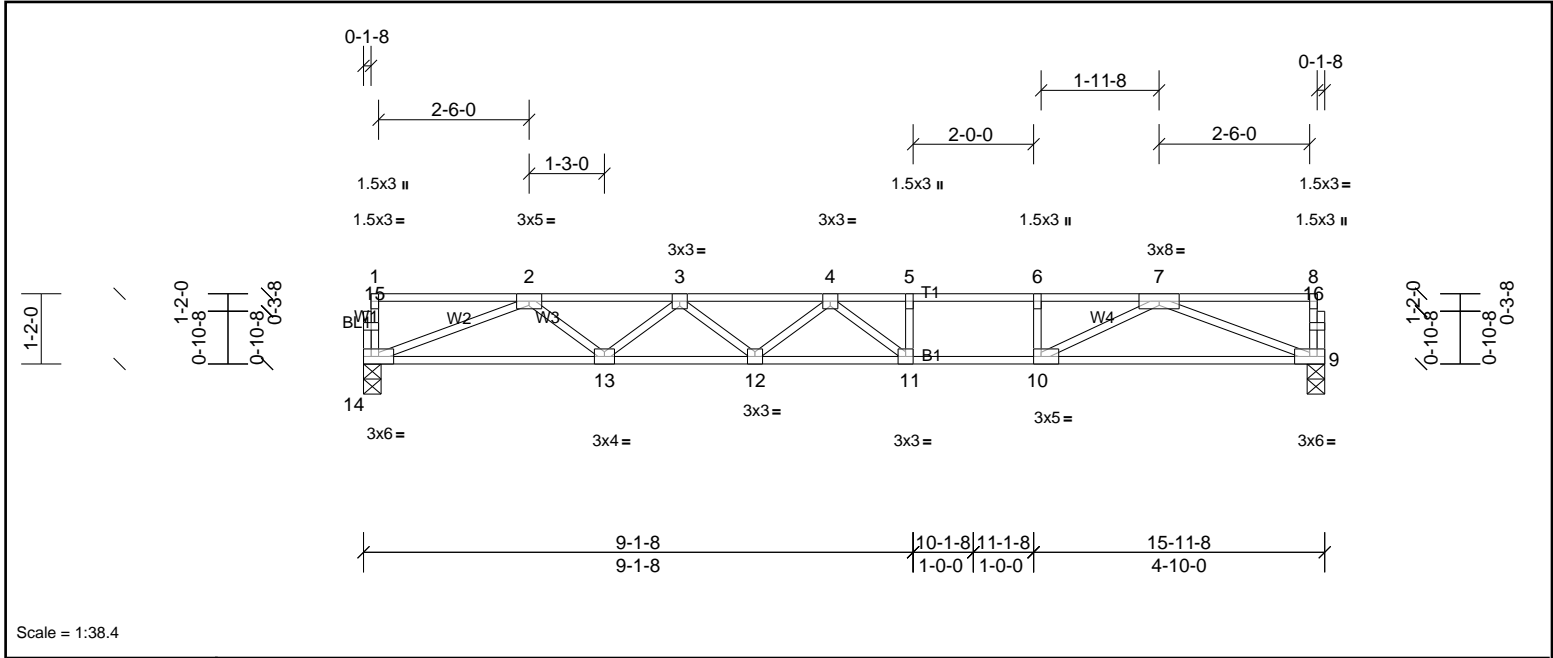


Plate Offsets (X, Y): [10:0-1-8,Edge]

Loading	(psf)	Spacing	2-0-0	CSI	DEFL	in	(loc)	l/defl	L/d	PLATES	GRIP	
TCLL	40.0	Plate Grip DOL	1.00	TC	0.71	Vert(LL)	-0.32	11-12	>595	480	MT20	244/190
TCDL	10.0	Lumber DOL	1.00	BC	0.75	Vert(CT)	-0.43	11-12	>439	360		
BCLL	0.0	Rep Stress Incr	YES	WB	0.61	Horz(CT)	0.05	9	n/a	n/a		
BCDL	5.0	Code	IRC2015/TPI2014	Matrix-SH							Weight: 77 lb	FT = 20%F, 12%E

LUMBER		BRACING	
TOP CHORD	2x4 SP SS(flat)	TOP CHORD	Structural wood sheathing directly applied or 6-0-0 oc purlins, except end verticals.
BOT CHORD	2x4 SP SS(flat)	BOT CHORD	Rigid ceiling directly applied or 10-0-0 oc bracing.
WEBS	2x4 SP No.3(flat)		
OTHERS	2x4 SP No.3(flat)		

REACTIONS	(lb/size)	9=858/0-3-8, (min. 0-1-8), 14=858/0-3-8, (min. 0-1-8)
FORCES	(lb) - Max. Comp./Max. Ten. - All forces 250 (lb) or less except when shown.	
TOP CHORD	2-3=-2391/0, 3-4=-3135/0, 4-5=-2950/0, 5-6=-2950/0, 6-7=-2950/0	
BOT CHORD	13-14=0/1852, 12-13=0/2903, 11-12=0/3260, 10-11=0/2950, 9-10=0/1854	
WEBS	6-10=-421/0, 2-14=-1986/0, 2-13=0/700, 3-13=-667/0, 3-12=0/302, 4-11=-561/170, 7-9=-1987/0, 7-10=0/1281	

- NOTES**
- 1) Unbalanced floor live loads have been considered for this design.
 - 2) This truss is designed in accordance with the 2015 International Residential Code sections R502.11.1 and R802.10.2 and referenced standard ANSI/TPI 1.
 - 3) Recommend 2x6 strongbacks, on edge, spaced at 10-00-00 oc and fastened to each truss with 3-10d (0.131" X 3") nails. Strongbacks to be attached to walls at their outer ends or restrained by other means.



This design is based upon parameters shown, and is for an individual building component to be installed and loaded vertically. Applicability of design parameters and proper incorporation of component is responsibility of the Building Designer. Building Designer shall verify all design information on this sheet for conformance with conditions and requirements of the specific building and governing codes and ordinances. Building Designer accepts responsibility for the correctness or accuracy of the design information as it may relate to a specific building. Certification is valid only when truss is fabricated by a UFPI plant. Bracing shown is for lateral support of truss members only and does not replace erection and permanent bracing. Refer to Building Component Safety Information (BCSI) for general guidance regarding storage, erection and bracing available from SBCA and Truss Plate Institute.



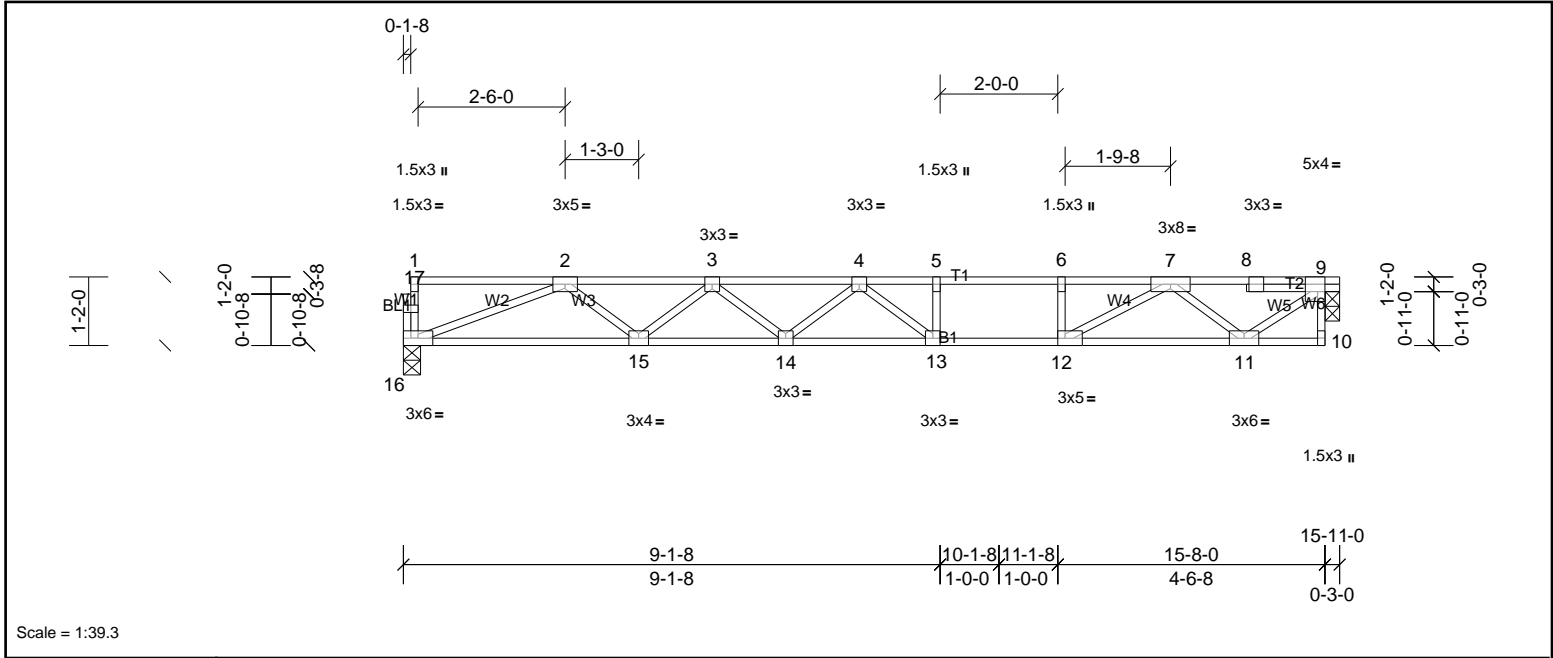
Job 72439475	Truss F201	Truss Type Truss	Qty 1	Ply 1	MUNGO HOMES - TELFAIR 2ND FLR Job Reference (optional)
-----------------	---------------	---------------------	----------	----------	-----------------------------------------------------------

UFPI Mid Atlantic LLC, 5631 S. NC 62, Burlington, NC, Joy Perry

Run: 8.81 S Sep 13 2024 Print: 8.810 S Sep 13 2024 MiTek Industries, Inc. Mon Dec 30 12:12:41

Page: 1

ID:a?q6?71yTv6SHVH?OIzqv2z8gqv-ICYmaFCOK_NH5VTK38C79NsgsalpEdAcwQ9IOpy3o9q



Scale = 1:39.3

Plate Offsets (X, Y):	[9:0-1-8,Edge], [12:0-1-8,Edge]											
Loading	(psf)	Spacing	2-0-0	CSI		DEFL	in	(loc)	l/defl	L/d	PLATES	GRIP
TCLL	40.0	Plate Grip DOL	1.00	TC	0.67	Vert(LL)	-0.30	13-14	>627	480	MT20	244/190
TCDL	10.0	Lumber DOL	1.00	BC	0.74	Vert(CT)	-0.41	13-14	>458	360		
BCLL	0.0	Rep Stress Incr	YES	WB	0.61	Horz(CT)	0.03	9	n/a	n/a		
BCDL	5.0	Code	IRC2015/TPI2014	Matrix-SH							Weight: 78 lb	FT = 20%F, 12%E

LUMBER		BRACING	
TOP CHORD	2x4 SP SS(flat)	TOP CHORD	Structural wood sheathing directly applied or 6-0-0 oc purlins, except end verticals.
BOT CHORD	2x4 SP SS(flat)	BOT CHORD	Rigid ceiling directly applied or 10-0-0 oc bracing.
WEBS	2x4 SP No.3(flat)		
OTHERS	2x4 SP No.3(flat)		

REACTIONS	(lb/size)	9=851/0-2-15, (min. 0-1-8), 16=845/0-3-8, (min. 0-1-8)
FORCES	(lb) - Max. Comp./Max. Ten. - All forces 250 (lb) or less except when shown.	
TOP CHORD		2-3=-2344/0, 3-4=-3059/0, 4-5=-2840/0, 5-6=-2840/0, 6-7=-2840/0, 7-8=-903/0, 8-9=-908/0
BOT CHORD		15-16=0/1821, 14-15=0/2842, 13-14=0/3166, 12-13=0/2840, 11-12=0/1765
WEBS		6-12=-432/0, 2-16=-1952/0, 2-15=0/681, 3-15=-648/0, 3-14=0/283, 4-13=-564/137, 9-11=0/1127, 7-11=-1122/0, 7-12=0/1286

- NOTES**
- 1) Unbalanced floor live loads have been considered for this design.
 - 2) Provide mechanical connection (by others) of truss to bearing plate at joint(s) 9.
 - 3) This truss is designed in accordance with the 2015 International Residential Code sections R502.11.1 and R802.10.2 and referenced standard ANSI/TPI 1.
 - 4) Recommend 2x6 strongbacks, on edge, spaced at 10-00-00 oc and fastened to each truss with 3-10d (0.131" X 3") nails. Strongbacks to be attached to walls at their outer ends or restrained by other means.
 - 5) Gap between inside of top chord bearing and first diagonal or vertical web shall not exceed 0.500in.
 - 6) CAUTION, Do not erect truss backyards.



This design is based upon parameters shown, and is for an individual building component to be installed and loaded vertically. Applicability of design parameters and proper incorporation of component is responsibility of the Building Designer. Building Designer shall verify all design information on this sheet for conformance with conditions and requirements of the specific building and governing codes and ordinances. Building Designer accepts responsibility for the correctness or accuracy of the design information as it may relate to a specific building. Certification is valid only when truss is fabricated by a UFPI plant. Bracing shown is for lateral support of truss members only and does not replace erection and permanent bracing. Refer to Building Component Safety Information (BCSI) for general guidance regarding storage, erection and bracing available from SBCA and Truss Plate Institute.



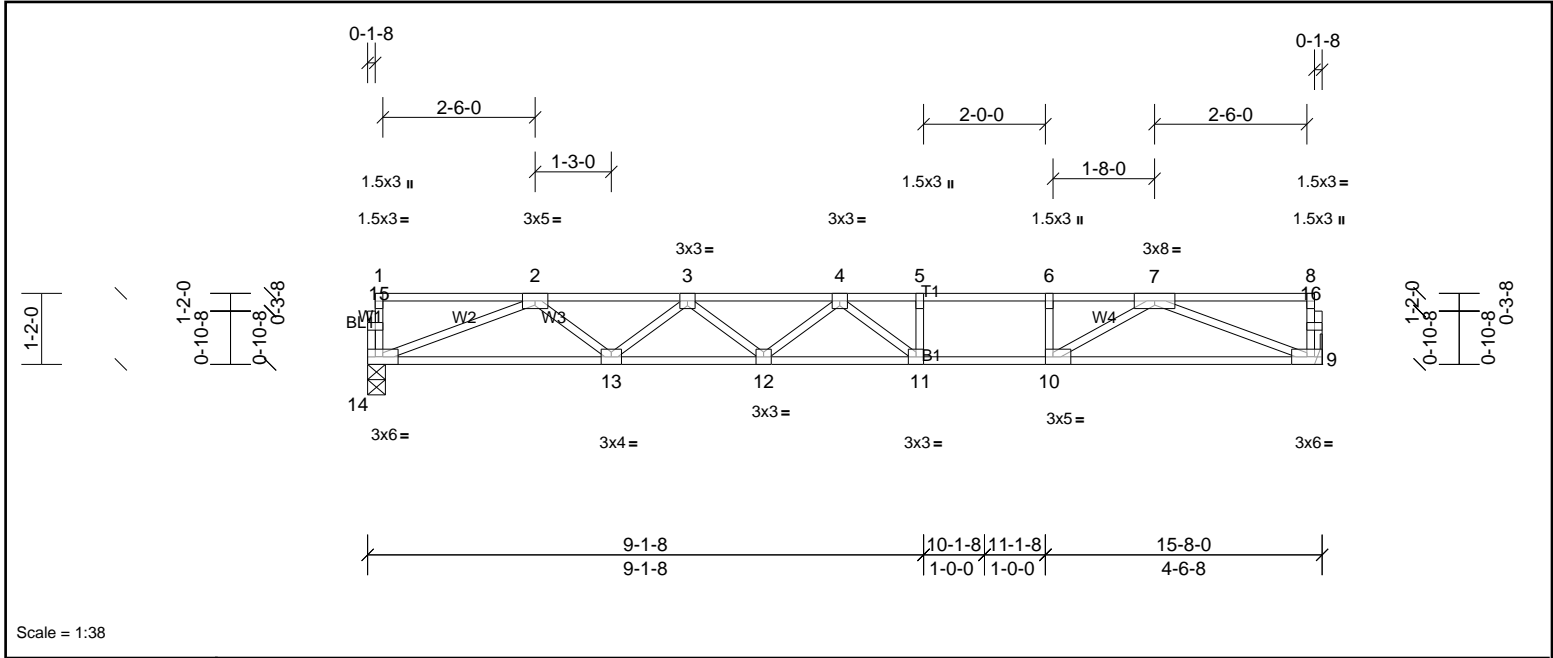
Job 72439475	Truss F202	Truss Type Truss	Qty 3	Ply 1	MUNGO HOMES - TELFAIR 2ND FLR Job Reference (optional)
-----------------	---------------	---------------------	----------	----------	-----------------------------------------------------------

UFP Mid Atlantic LLC, 5631 S. NC 62, Burlington, NC, Joy Perry

Run: 8.81 S Sep 13 2024 Print: 8.810 S Sep 13 2024 MiTek Industries, Inc. Mon Dec 30 12:12:41

Page: 1

ID:a?q6?71yTv6SHVH?OIzqv2z8gqv-ICYmaFCOK_NH5VTk38C79NsgOalpEemcwQ9IOpy3o9q



Scale = 1:38

Plate Offsets (X, Y):	[10:0-1-8,Edge]											
Loading	(psf)	Spacing	2-0-0	CSI		DEFL	in	(loc)	l/defl	L/d	PLATES	GRIP
TCLL	40.0	Plate Grip DOL	1.00	TC	0.70	Vert(LL)	-0.31	11-12	>598	480	MT20	244/190
TCDL	10.0	Lumber DOL	1.00	BC	0.74	Vert(CT)	-0.42	11-12	>440	360		
BCLL	0.0	Rep Stress Incr	YES	WB	0.57	Horz(CT)	0.05	9	n/a	n/a		
BCDL	5.0	Code	IRC2015/TPI2014	Matrix-SH							Weight: 76 lb	FT = 20%F, 12%E

LUMBER		BRACING	
TOP CHORD	2x4 SP SS(flat)	TOP CHORD	Structural wood sheathing directly applied or 6'-0-0 oc purlins, except end verticals.
BOT CHORD	2x4 SP SS(flat)	BOT CHORD	Rigid ceiling directly applied or 10'-0-0 oc bracing.
WEBS	2x4 SP No.3(flat)		
OTHERS	2x4 SP No.3(flat)		

REACTIONS	(lb/size)	9=842/ Mechanical, (min. 0-1-8), 14=842/0-3-8, (min. 0-1-8)
FORCES	(lb) - Max. Comp./Max. Ten. - All forces 250 (lb) or less except when shown.	
TOP CHORD		2-3=-2331/0, 3-4=-3039/0, 4-5=-2798/0, 5-6=-2798/0, 6-7=-2798/0
BOT CHORD		13-14=0/1812, 12-13=0/2825, 11-12=0/3142, 10-11=0/2798, 9-10=0/1819
WEBS		6-10=-449/0, 2-14=-1943/0, 2-13=0/675, 3-13=-643/0, 3-12=0/279, 4-11=-585/131, 7-9=-1949/0, 7-10=0/1207

- NOTES**
- 1) Unbalanced floor live loads have been considered for this design.
 - 2) This truss is designed in accordance with the 2015 International Residential Code sections R502.11.1 and R802.10.2 and referenced standard ANSI/TPI 1.
 - 3) Recommend 2x6 strongbacks, on edge, spaced at 10'-00-00 oc and fastened to each truss with 3-10d (0.131" X 3") nails. Strongbacks to be attached to walls at their outer ends or restrained by other means.



This design is based upon parameters shown, and is for an individual building component to be installed and loaded vertically. Applicability of design parameters and proper incorporation of component is responsibility of the Building Designer. Building Designer shall verify all design information on this sheet for conformance with conditions and requirements of the specific building and governing codes and ordinances. Building Designer accepts responsibility for the correctness or accuracy of the design information as it may relate to a specific building. Certification is valid only when truss is fabricated by a UFPI plant. Bracing shown is for lateral support of truss members only and does not replace erection and permanent bracing. Refer to Building Component Safety Information (BCSI) for general guidance regarding storage, erection and bracing available from SBCA and Truss Plate Institute.



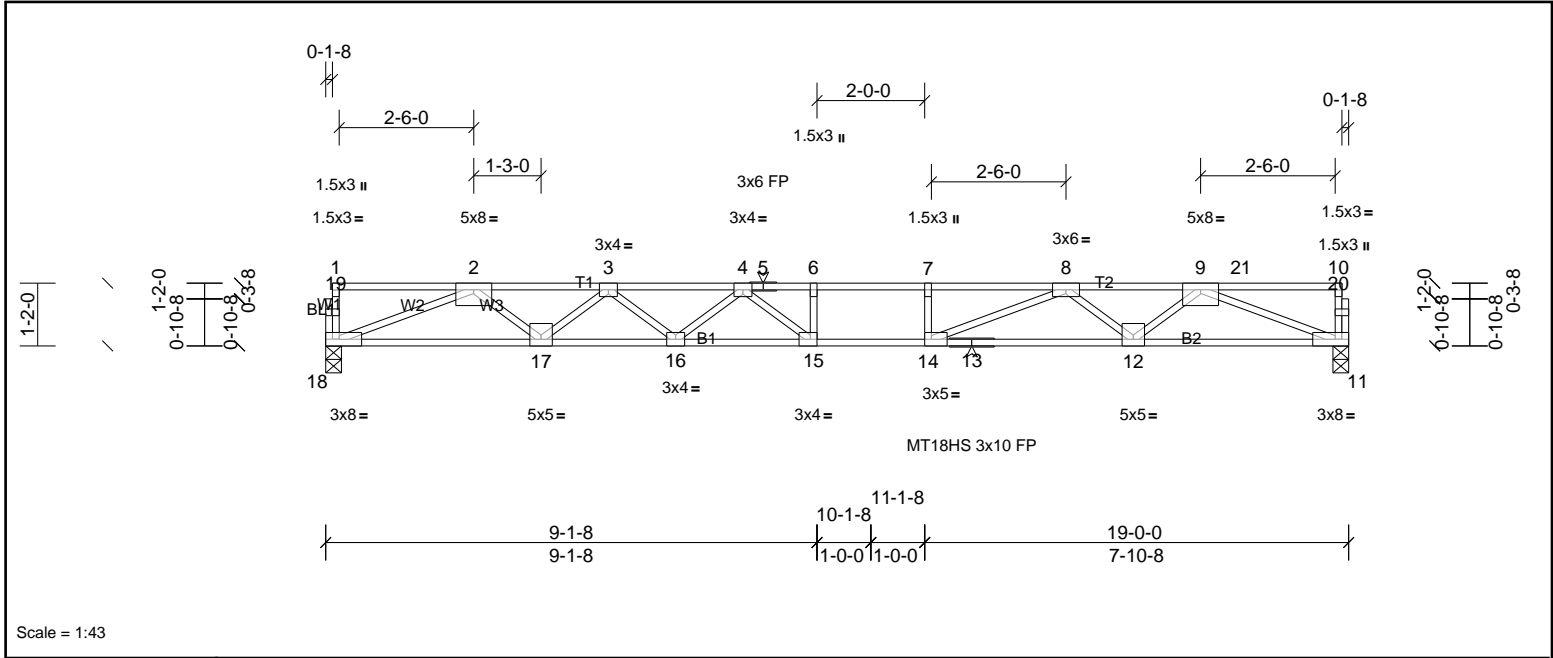
Job 72439475	Truss F203	Truss Type Truss	Qty 10	Ply 1	MUNGO HOMES - TELFAIR 2ND FLR Job Reference (optional)
-----------------	---------------	---------------------	-----------	----------	-----------------------------------------------------------

UFP Mid Atlantic LLC, 5631 S. NC 62, Burlington, NC, Joy Perry

Run: 8.81 S Sep 13 2024 Print: 8.810 S Sep 13 2024 MiTek Industries, Inc. Mon Dec 30 12:12:41

Page: 1

ID:gybFDKc1Jhrnb30WAXcCoLz1jXX-ICYmaFCOok_NH5VTk38C79Nsd6aHgEZxcwQ9lOpy3o9q



Scale = 1:43

Plate Offsets (X, Y): [14:0-1-8,Edge], [15:0-1-8,Edge]

Loading	(psf)	Spacing	2-0-0	CSI	DEFLL	in	(loc)	l/defl	L/d	PLATES	GRIP	
TCLL	40.0	Plate Grip DOL	1.00	TC	0.85	Vert(LL)	-0.36	15-16	>617	480	MT18HS	244/190
TCDL	10.0	Lumber DOL	1.00	BC	0.81	Vert(CT)	-0.59	14-15	>382	360	MT20	244/190
BCLL	0.0	Rep Stress Incr	NO	WB	0.88	Horz(CT)	0.10	11	n/a	n/a		
BCDL	5.0	Code	IRC2015/TPI2014	Matrix-SH							Weight: 92 lb	FT = 20%F, 12%E

LUMBER	BRACING
TOP CHORD 2x4 SP SS(flat)	TOP CHORD Structural wood sheathing directly applied or 5-1-3 oc purlins, except end verticals.
BOT CHORD 2x4 SP SS(flat)	BOT CHORD Rigid ceiling directly applied or 10-0-0 oc bracing.
WEBS 2x4 SP No.3(flat)	
OTHERS 2x4 SP No.3(flat)	

REACTIONS	(lb/size)	11=1397/0-3-8, (min. 0-1-8), 18=1160/0-3-8, (min. 0-1-8)
FORCES	(lb) - Max. Comp./Max. Ten. - All forces 250 (lb) or less except when shown.	
TOP CHORD	2-3=-3517/0, 3-4=-4944/0, 4-5=-5753/0, 5-6=-5753/0, 6-7=-5753/0, 7-8=-5753/0, 8-9=-3935/0	
BOT CHORD	17-18=0/2611, 16-17=0/4381, 15-16=0/5475, 14-15=0/5753, 13-14=0/4807, 12-13=0/4807, 11-12=0/3014	
WEBS	6-15=-380/0, 7-14=-361/0, 2-18=-2802/0, 2-17=0/1180, 3-17=-1126/0, 3-16=0/732, 4-16=-692/0, 4-15=-30/816, 8-14=0/1253, 8-12=-1135/0, 9-12=0/1199, 9-11=-3231/0	

- NOTES**
- 1) Unbalanced floor live loads have been considered for this design.
 - 2) All plates are MT20 plates unless otherwise indicated.
 - 3) This truss is designed in accordance with the 2015 International Residential Code sections R502.11.1 and R802.10.2 and referenced standard ANSI/TPI 1.
 - 4) Load case(s) 1 has/have been modified. Building designer must review loads to verify that they are correct for the intended use of this truss.
 - 5) Recommend 2x6 strongbacks, on edge, spaced at 10-00-00 oc and fastened to each truss with 3-10d (0.131" X 3") nails. Strongbacks to be attached to walls at their outer ends or restrained by other means.

LOAD CASE(S) Standard

1) Dead + Floor Live (balanced): Lumber Increase=1.00, Plate Increase=1.00
Uniform Loads (lb/ft)
Vert: 11-18=-10, 1-4=-100, 4-21=-140, 10-21=-176



This design is based upon parameters shown, and is for an individual building component to be installed and loaded vertically. Applicability of design parameters and proper incorporation of component is responsibility of the Building Designer. Building Designer shall verify all design information on this sheet for conformance with conditions and requirements of the specific building and governing codes and ordinances. Building Designer accepts responsibility for the correctness or accuracy of the design information as it may relate to a specific building. Certification is valid only when truss is fabricated by a UFPI plant. Bracing shown is for lateral support of truss members only and does not replace erection and permanent bracing. Refer to Building Component Safety Information (BCSI) for general guidance regarding storage, erection and bracing available from SBCA and Truss Plate Institute.



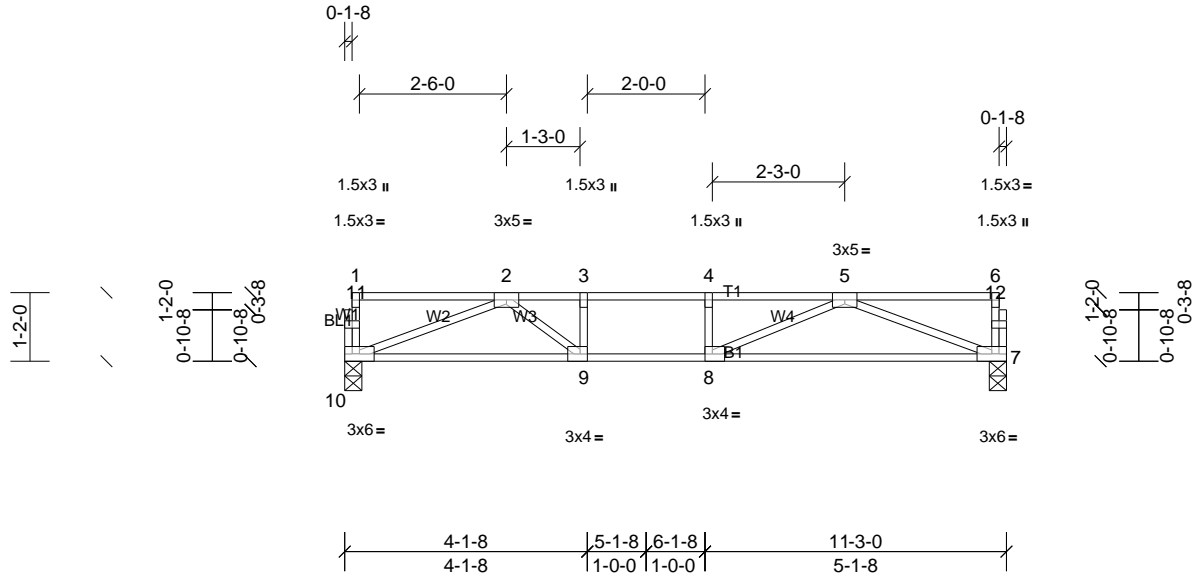
Job 72439475	Truss F204	Truss Type Truss	Qty 2	Ply 1	MUNGO HOMES - TELFAIR 2ND FLR Job Reference (optional)
-----------------	---------------	---------------------	----------	----------	-----------------------------------------------------------

UFP Mid Atlantic LLC, 5631 S. NC 62, Burlington, NC, Joy Perry

Run: 8.81 S Sep 13 2024 Print: 8.810 S Sep 13 2024 MiTek Industries, Inc. Mon Dec 30 12:12:41

Page: 1

ID:a?q6?71yTv6SHVH?OIZqv2z8gqv-ICYmaFCOok_NH5VTk38C79NsdvaG?EfDcwQ9IOpy3o9q



Scale = 1:39.3

Plate Offsets (X, Y): [8:0-1-8,Edge], [9:0-1-8,Edge]

Loading	(psf)	Spacing	2-0-0	CSI	DEFL	in	(loc)	l/defl	L/d	PLATES	GRIP	
TCLL	40.0	Plate Grip DOL	1.00	TC	0.86	Vert(LL)	-0.15	7-8	>859	480	MT20	244/190
TCDL	30.0	Lumber DOL	1.00	BC	0.86	Vert(CT)	-0.29	7-8	>454	360		
BCLL	0.0	Rep Stress Incr	YES	WB	0.48	Horz(CT)	0.03	7	n/a	n/a		
BCDL	5.0	Code	IRC2015/TPI2014	Matrix-SH							Weight: 55 lb	FT = 20%F, 12%E

LUMBER	BRACING
TOP CHORD 2x4 SP No.2(flat)	TOP CHORD Structural wood sheathing directly applied or 5-6-0 oc purlins, except end verticals.
BOT CHORD 2x4 SP No.2(flat)	BOT CHORD Rigid ceiling directly applied or 10-0-0 oc bracing.
WEBS 2x4 SP No.3(flat)	
OTHERS 2x4 SP No.3(flat)	

REACTIONS (lb/size) 7=816/0-3-8, (min. 0-1-8), 10=816/0-3-8, (min. 0-1-8)

FORCES (lb) - Max. Comp./Max. Ten. - All forces 250 (lb) or less except when shown.

TOP CHORD 2-3=-2128/0, 3-4=-2128/0, 4-5=-2128/0
 BOT CHORD 9-10=0/1647, 8-9=0/2128, 7-8=0/1639
 WEBS 3-9=-377/0, 2-10=-1762/0, 2-9=0/751, 5-7=-1754/0, 5-8=0/668

- NOTES**
- 1) Unbalanced floor live loads have been considered for this design.
 - 2) This truss is designed in accordance with the 2015 International Residential Code sections R502.11.1 and R802.10.2 and referenced standard ANSI/TPI 1.
 - 3) Recommend 2x6 strongbacks, on edge, spaced at 10-00-00 oc and fastened to each truss with 3-10d (0.131" X 3") nails. Strongbacks to be attached to walls at their outer ends or restrained by other means.



This design is based upon parameters shown, and is for an individual building component to be installed and loaded vertically. Applicability of design parameters and proper incorporation of component is responsibility of the Building Designer. Building Designer shall verify all design information on this sheet for conformance with conditions and requirements of the specific building and governing codes and ordinances. Building Designer accepts responsibility for the correctness or accuracy of the design information as it may relate to a specific building. Certification is valid only when truss is fabricated by a UFPI plant. Bracing shown is for lateral support of truss members only and does not replace erection and permanent bracing. Refer to Building Component Safety Information (BCSI) for general guidance regarding storage, erection and bracing available from SBCA and Truss Plate Institute.



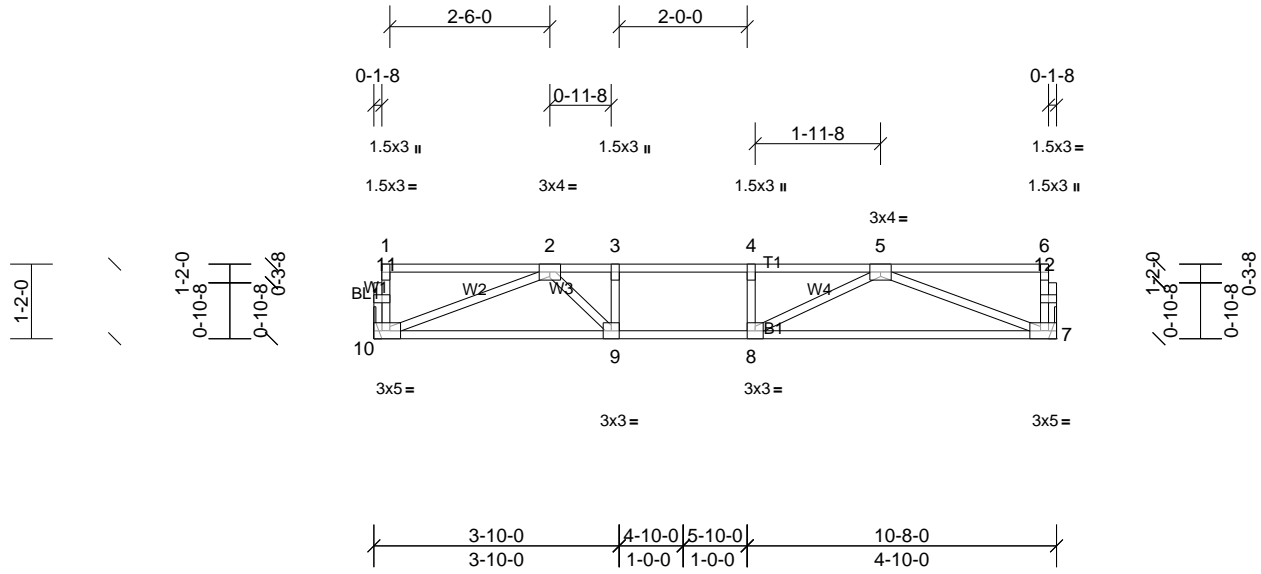
Job 72439475	Truss F205	Truss Type Truss	Qty 3	Ply 1	MUNGO HOMES - TELFAIR 2ND FLR Job Reference (optional)
-----------------	---------------	---------------------	----------	----------	-----------------------------------------------------------

UFP Mid Atlantic LLC, 5631 S. NC 62, Burlington, NC, Joy Perry

Run: 8.81 S Sep 13 2024 Print: 8.810 S Sep 13 2024 MiTek Industries, Inc. Mon Dec 30 12:12:41

Page: 1

ID:a?q6?71yTv6SHVH?OlZqv2z8qqv-ICYmaFCOK_NH5VTK38C79NsgGaK7EhacwQ9IOpy3o9q



Scale = 1:36.2

Plate Offsets (X, Y): [7:0-2-0,Edge], [10:0-2-0,Edge]

Loading	(psf)	Spacing	2-0-0	CSI	DEFLL	in	(loc)	l/defl	L/d	PLATES	GRIP	
TCLL	40.0	Plate Grip DOL	1.00	TC	0.65	Vert(LL)	-0.12	7-8	>999	480	MT20	244/190
TCDL	10.0	Lumber DOL	1.00	BC	0.59	Vert(CT)	-0.19	7-8	>647	360		
BCLL	0.0	Rep Stress Incr	YES	WB	0.33	Horz(CT)	0.02	7	n/a	n/a		
BCDL	5.0	Code	IRC2015/TPI2014	Matrix-SH							Weight: 52 lb	FT = 20%F, 12%E

LUMBER		BRACING	
TOP CHORD	2x4 SP No.2(flat)	TOP CHORD	Structural wood sheathing directly applied or 6-0-0 oc purlins, except end verticals.
BOT CHORD	2x4 SP No.2(flat)	BOT CHORD	Rigid ceiling directly applied or 10-0-0 oc bracing.
WEBS	2x4 SP No.3(flat)		
OTHERS	2x4 SP No.3(flat)		

REACTIONS	(lb/size)	7=567/ Mechanical, (min. 0-1-8), 10=567/ Mechanical, (min. 0-1-8)
FORCES	(lb) - Max. Comp./Max. Ten. - All forces 250 (lb) or less except when shown.	
TOP CHORD	2-3=-1396/0, 3-4=-1396/0, 4-5=-1396/0	
BOT CHORD	9-10=0/1129, 8-9=0/1396, 7-8=0/1112	
WEBS	3-9=-308/0, 2-10=-1207/0, 2-9=0/534, 5-7=-1190/0, 5-8=0/458	

- NOTES**
- Unbalanced floor live loads have been considered for this design.
 - This truss is designed in accordance with the 2015 International Residential Code sections R502.11.1 and R802.10.2 and referenced standard ANSI/TPI 1.
 - Recommend 2x6 strongbacks, on edge, spaced at 10-00-00 oc and fastened to each truss with 3-10d (0.131" X 3") nails. Strongbacks to be attached to walls at their outer ends or restrained by other means.



This design is based upon parameters shown, and is for an individual building component to be installed and loaded vertically. Applicability of design parameters and proper incorporation of component is responsibility of the Building Designer. Building Designer shall verify all design information on this sheet for conformance with conditions and requirements of the specific building and governing codes and ordinances. Building Designer accepts responsibility for the correctness or accuracy of the design information as it may relate to a specific building. Certification is valid only when truss is fabricated by a UFPI plant. Bracing shown is for lateral support of truss members only and does not replace erection and permanent bracing. Refer to Building Component Safety Information (BCSI) for general guidance regarding storage, erection and bracing available from SBCA and Truss Plate Institute.



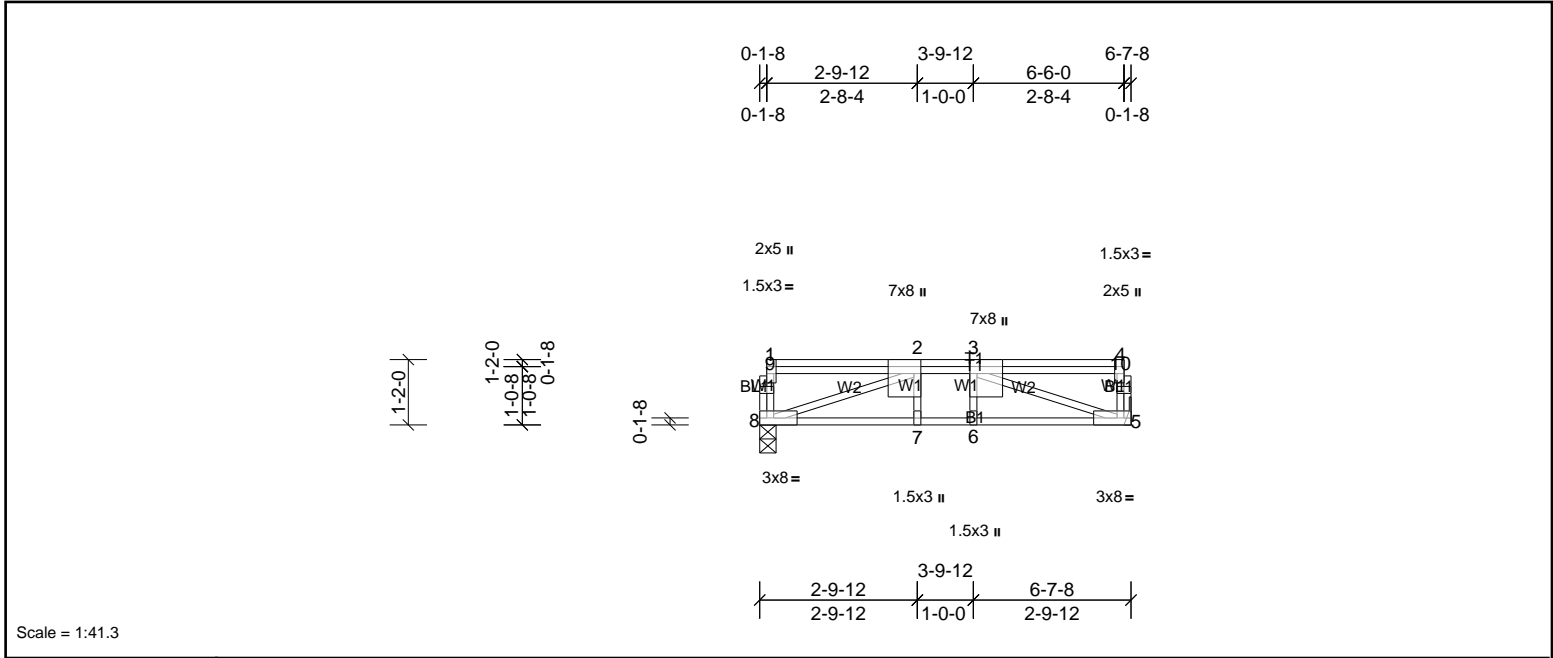
Job 72439475	Truss F206	Truss Type Truss	Qty 1	Ply 1	MUNGO HOMES - TELFAIR 2ND FLR Job Reference (optional)
-----------------	---------------	---------------------	----------	----------	-----------------------------------------------------------

UFP Mid Atlantic LLC, 5631 S. NC 62, Burlington, NC, Joy Perry

Run: 8.81 S Sep 13 2024 Print: 8.810 S Sep 13 2024 MiTek Industries, Inc. Mon Dec 30 12:12:41

Page: 1

ID:a?q6?71yTv6SHVH?OIZqv2z8gqv-ICYmaFCOK_NH5VTk38C79NsgxaG4EbmwQ9IOpy3o9q



Scale = 1:41.3

Plate Offsets (X, Y): [2:0-3-0,Edge], [3:0-3-0,Edge], [4:0-3-0,Edge]

Loading	(psf)	Spacing	2-0-0	CSI	DEFL	in	(loc)	l/defl	L/d	PLATES	GRIP	
TCLL	40.0	Plate Grip DOL	1.00	TC	0.67	Vert(LL)	-0.09	5-6	>865	480	MT20	244/190
TCDL	10.0	Lumber DOL	1.00	BC	0.85	Vert(CT)	-0.12	5-6	>623	360		
BCLL	0.0	Rep Stress Incr	YES	WB	0.77	Horz(CT)	0.02	5	n/a	n/a		
BCDL	5.0	Code	IRC2015/TPI2014	Matrix-SH							Weight: 44 lb	FT = 20%F, 12%E

LUMBER	BRACING
TOP CHORD 2x4 SP No.2(flat)	TOP CHORD Structural wood sheathing directly applied or 6-0-0 oc purlins, except end verticals.
BOT CHORD 2x4 SP No.1(flat)	BOT CHORD Rigid ceiling directly applied or 10-0-0 oc bracing.
WEBS 2x4 SP No.3(flat)	
OTHERS 2x4 SP No.3(flat)	

REACTIONS (lb/size) 5=1247/ Mechanical, (min. 0-1-8), 8=1002/0-3-8, (min. 0-1-8)

FORCES (lb) - Max. Comp./Max. Ten. - All forces 250 (lb) or less except when shown.

TOP CHORD 5-10=-254/0, 4-10=-253/0, 2-3=-2660/0

BOT CHORD 7-8=0/2660, 6-7=0/2660, 5-6=0/2660

WEBS 2-8=-2829/0, 3-5=-2815/0

- NOTES**
- 1) Unbalanced floor live loads have been considered for this design.
 - 2) This truss is designed in accordance with the 2015 International Residential Code sections R502.11.1 and R802.10.2 and referenced standard ANSI/TPI 1.
 - 3) Recommend 2x6 strongbacks, on edge, spaced at 10-00-00 oc and fastened to each truss with 3-10d (0.131" X 3") nails. Strongbacks to be attached to walls at their outer ends or restrained by other means.

LOAD CASE(S) Standard

1) Dead + Floor Live (balanced): Lumber Increase=1.00, Plate Increase=1.00

Uniform Loads (lb/ft)

Vert: 5-8=-10, 1-4=-100

Concentrated Loads (lb)

Vert: 3=-1560



This design is based upon parameters shown, and is for an individual building component to be installed and loaded vertically. Applicability of design parameters and proper incorporation of component is responsibility of the Building Designer. Building Designer shall verify all design information on this sheet for conformance with conditions and requirements of the specific building and governing codes and ordinances. Building Designer accepts responsibility for the correctness or accuracy of the design information as it may relate to a specific building. Certification is valid only when truss is fabricated by a UFPI plant. Bracing shown is for lateral support of truss members only and does not replace erection and permanent bracing. Refer to Building Component Safety Information (BCSI) for general guidance regarding storage, erection and bracing available from SBCA and Truss Plate Institute.



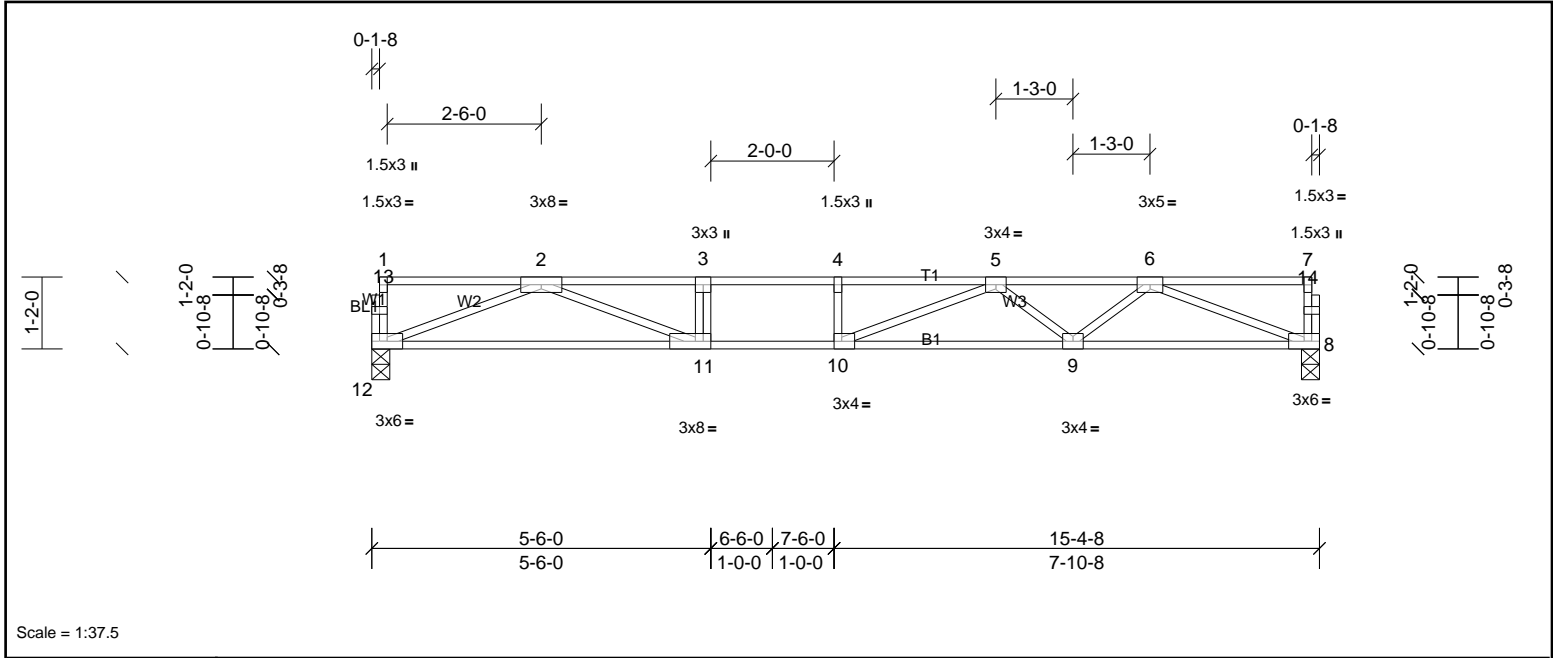
Job 72439475	Truss F207	Truss Type Truss	Qty 2	Ply 1	MUNGO HOMES - TELFAIR 2ND FLR Job Reference (optional)
-----------------	---------------	---------------------	----------	----------	-----------------------------------------------------------

UFP Mid Atlantic LLC, 5631 S. NC 62, Burlington, NC, Joy Perry

Run: 8.81 S Sep 13 2024 Print: 8.810 S Sep 13 2024 MiTek Industries, Inc. Mon Dec 30 12:12:42

Page: 1

ID:a?q6?71yTv6SHVH?OIZqv2z8gqv-mP58oaD0VIV8jf2wdsjMibOqDzf7z3ym84usxFy3o9p



Scale = 1:37.5

Plate Offsets (X, Y): [10:0-1-8,Edge], [11:0-3-0,Edge]

Loading	(psf)	Spacing	1-7-3	CSI	DEFLL	in	(loc)	l/defl	L/d	PLATES	GRIP	
TCLL	40.0	Plate Grip DOL	1.00	TC	0.76	Vert(LL)	-0.26	9-10	>694	480	MT20	244/190
TCDL	30.0	Lumber DOL	1.00	BC	0.67	Vert(CT)	-0.45	9-10	>402	360		
BCLL	0.0	Rep Stress Incr	YES	WB	0.64	Horz(CT)	0.05	8	n/a	n/a		
BCDL	5.0	Code	IRC2015/TPI2014	Matrix-SH							Weight: 75 lb	FT = 20%F, 12%E

LUMBER		BRACING	
TOP CHORD	2x4 SP No.1(flat)	TOP CHORD	Structural wood sheathing directly applied or 5-6-0 oc purlins, except end verticals.
BOT CHORD	2x4 SP SS(flat)	BOT CHORD	Rigid ceiling directly applied or 10-0-0 oc bracing.
WEBS	2x4 SP No.3(flat)		
OTHERS	2x4 SP No.3(flat)		

REACTIONS	(lb/size)	8=900/0-3-8, (min. 0-1-8), 12=900/0-3-8, (min. 0-1-8)
FORCES	(lb) - Max. Comp./Max. Ten. - All forces 250 (lb) or less except when shown.	
TOP CHORD		2-3=-3169/0, 3-4=-3169/0, 4-5=-3169/0, 5-6=-2511/0
BOT CHORD		11-12=0/1944, 10-11=0/3169, 9-10=0/3000, 8-9=0/1947
WEBS		3-11=-378/0, 2-12=-2084/0, 2-11=0/1350, 6-8=-2087/0, 6-9=0/735, 5-9=-636/0, 5-10=-51/486

- NOTES**
- 1) Unbalanced floor live loads have been considered for this design.
 - 2) This truss is designed in accordance with the 2015 International Residential Code sections R502.11.1 and R802.10.2 and referenced standard ANSI/TPI 1.
 - 3) Recommend 2x6 strongbacks, on edge, spaced at 10-00-00 oc and fastened to each truss with 3-10d (0.131" X 3") nails. Strongbacks to be attached to walls at their outer ends or restrained by other means.



This design is based upon parameters shown, and is for an individual building component to be installed and loaded vertically. Applicability of design parameters and proper incorporation of component is responsibility of the Building Designer. Building Designer shall verify all design information on this sheet for conformance with conditions and requirements of the specific building and governing codes and ordinances. Building Designer accepts responsibility for the correctness or accuracy of the design information as it may relate to a specific building. Certification is valid only when truss is fabricated by a UFPI plant. Bracing shown is for lateral support of truss members only and does not replace erection and permanent bracing. Refer to Building Component Safety Information (BCSI) for general guidance regarding storage, erection and bracing available from SBCA and Truss Plate Institute.



Job 72439475	Truss F208	Truss Type Truss	Qty 6	Ply 1	MUNGO HOMES - TELFAIR 2ND FLR Job Reference (optional)
-----------------	---------------	---------------------	----------	----------	-----------------------------------------------------------

UFP Mid Atlantic LLC, 5631 S. NC 62, Burlington, NC, Joy Perry

Run: 8.81 S Sep 13 2024 Print: 8.810 S Sep 13 2024 MiTek Industries, Inc. Mon Dec 30 12:12:42

Page: 1

ID:a?q6?771yTv6SHVH?OIZqv2z8gqv-mP58oaD0VIV8jf2wdsjMibOqazf_z5Hm84usxFy3o9p

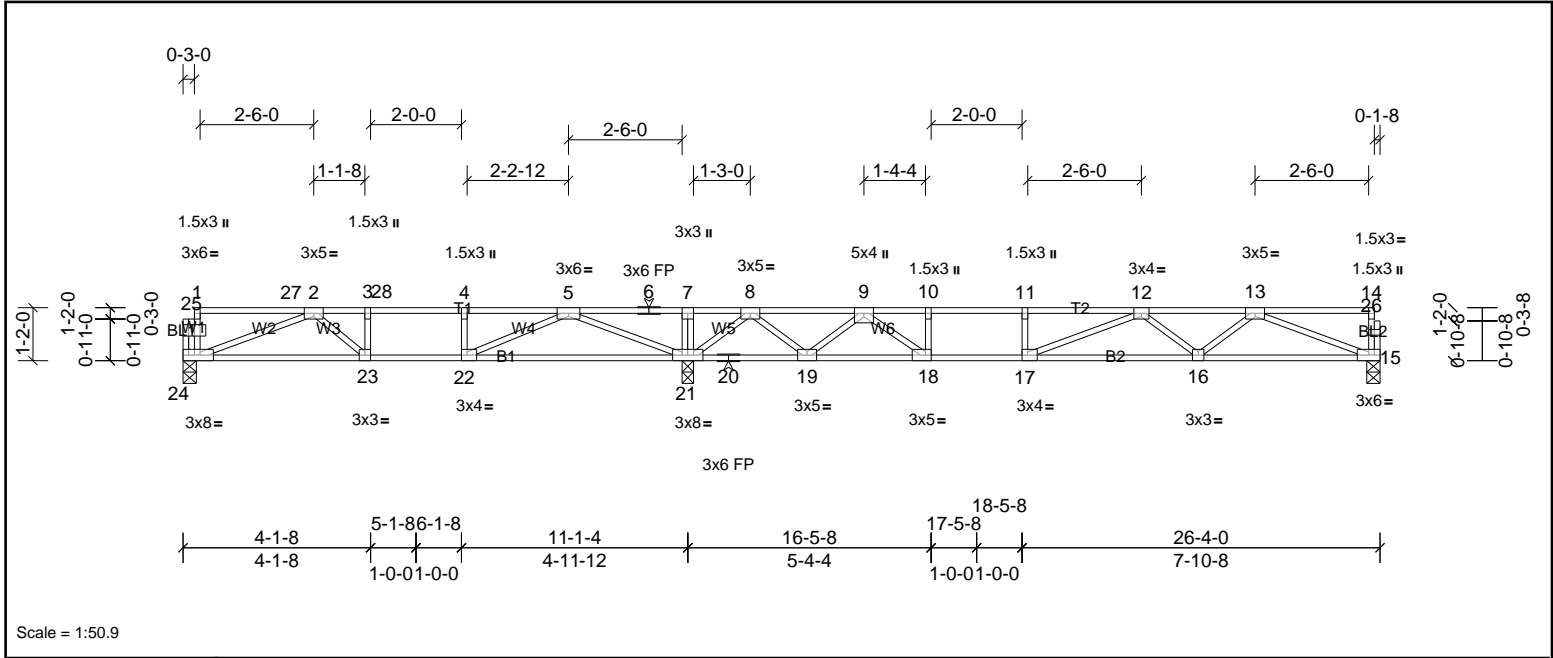


Plate Offsets (X, Y): [17:0-1-8,Edge], [18:0-1-8,Edge], [22:0-1-8,Edge], [24:0-3-8,Edge]

Loading	(psf)	Spacing	2-0-0	CSI	DEFL	in	(loc)	l/defl	L/d	PLATES	GRIP	
TCLL	40.0	Plate Grip DOL	1.00	TC	0.74	Vert(LL)	-0.26	16-17	>686	480	MT20	244/190
TCDL	10.0	Lumber DOL	1.00	BC	0.68	Vert(CT)	-0.37	16-17	>495	360		
BCLL	0.0	Rep Stress Incr	NO	WB	0.56	Horz(CT)	0.04	15	n/a	n/a		
BCDL	5.0	Code	IRC2015/TPI2014	Matrix-SH							Weight: 128 lb	FT = 20%F, 12%E

LUMBER
TOP CHORD 2x4 SP SS(flat)
BOT CHORD 2x4 SP SS(flat)
WEBS 2x4 SP No.3(flat)
OTHERS 2x4 SP No.3(flat)

BRACING
TOP CHORD Structural wood sheathing directly applied or 6-0-0 oc purlins, except end verticals.
BOT CHORD Rigid ceiling directly applied or 10-0-0 oc bracing, Except: 6-0-0 oc bracing: 19-21,18-19.

REACTIONS (lb/size) 15=733/0-3-8, (min. 0-1-8), 21=1896/0-3-0, (min. 0-1-8), 24=719/0-3-8, (min. 0-1-8)
Max Grav 15=760 (LC 14), 21=1896 (LC 1), 24=765 (LC 8)

FORCES (lb) - Max. Comp./Max. Ten. - All forces 250 (lb) or less except when shown.
TOP CHORD 2-3=-1790/0, 3-28=-1790/0, 4-28=-1790/0, 4-5=-1790/0, 5-6=0/1362, 6-7=0/1362, 7-8=0/1352, 8-9=-888/270, 9-10=-2383/0, 10-11=-2383/0, 11-12=-2383/0, 12-13=-2072/0
BOT CHORD 23-24=0/1551, 22-23=0/1790, 21-22=0/979, 20-21=-518/178, 19-20=-518/178, 18-19=-9/1640, 17-18=0/2383, 16-17=0/2434, 15-16=0/1619
WEBS 4-22=-382/0, 10-18=-440/0, 7-21=-291/0, 2-24=-1644/0, 2-23=0/318, 5-21=-2040/0, 5-22=0/1064, 8-21=-1349/0, 8-19=0/964, 9-19=-1047/0, 9-18=0/1097, 13-15=-1735/0, 13-16=0/590, 12-16=-471/0, 12-17=-337/179

- NOTES**
- 1) Unbalanced floor live loads have been considered for this design.
 - 2) This truss is designed in accordance with the 2015 International Residential Code sections R502.11.1 and R802.10.2 and referenced standard ANSI/TPI 1.
 - 3) Load case(s) 1 has/have been modified. Building designer must review loads to verify that they are correct for the intended use of this truss.
 - 4) Recommend 2x6 strongbacks, on edge, spaced at 10-00-00 oc and fastened to each truss with 3-10d (0.131" X 3") nails. Strongbacks to be attached to walls at their outer ends or restrained by other means.
 - 5) CAUTION, Do not erect truss backyards.

LOAD CASE(S) Standard
1) Dead + Floor Live (balanced): Lumber Increase=1.00, Plate Increase=1.00
Uniform Loads (lb/ft)
Vert: 15-24=-10, 1-27=-140, 27-28=-176, 7-28=-140, 7-14=-100



This design is based upon parameters shown, and is for an individual building component to be installed and loaded vertically. Applicability of design parameters and proper incorporation of component is responsibility of the Building Designer. Building Designer shall verify all design information on this sheet for conformance with conditions and requirements of the specific building and governing codes and ordinances. Building Designer accepts responsibility for the correctness or accuracy of the design information as it may relate to a specific building. Certification is valid only when truss is fabricated by a UFPI plant. Bracing shown is for lateral support of truss members only and does not replace erection and permanent bracing. Refer to Building Component Safety Information (BCSI) for general guidance regarding storage, erection and bracing available from SBCA and Truss Plate Institute.



Job 72439475	Truss F209	Truss Type Truss	Qty 5	Ply 1	MUNGO HOMES - TELFAIR 2ND FLR Job Reference (optional)
-----------------	---------------	---------------------	----------	----------	-----------------------------------------------------------

UFP Mid Atlantic LLC, 5631 S. NC 62, Burlington, NC, Joy Perry

Run: 8.81 S Sep 13 2024 Print: 8.810 S Sep 13 2024 MiTek Industries, Inc. Mon Dec 30 12:12:42

Page: 1

ID:a?q6?71yTv6SHVH?OIzqv2z8gqv-mP58oaD0VIV8jf2wdsjMibOmxzLz0Um84usxFy3o9p

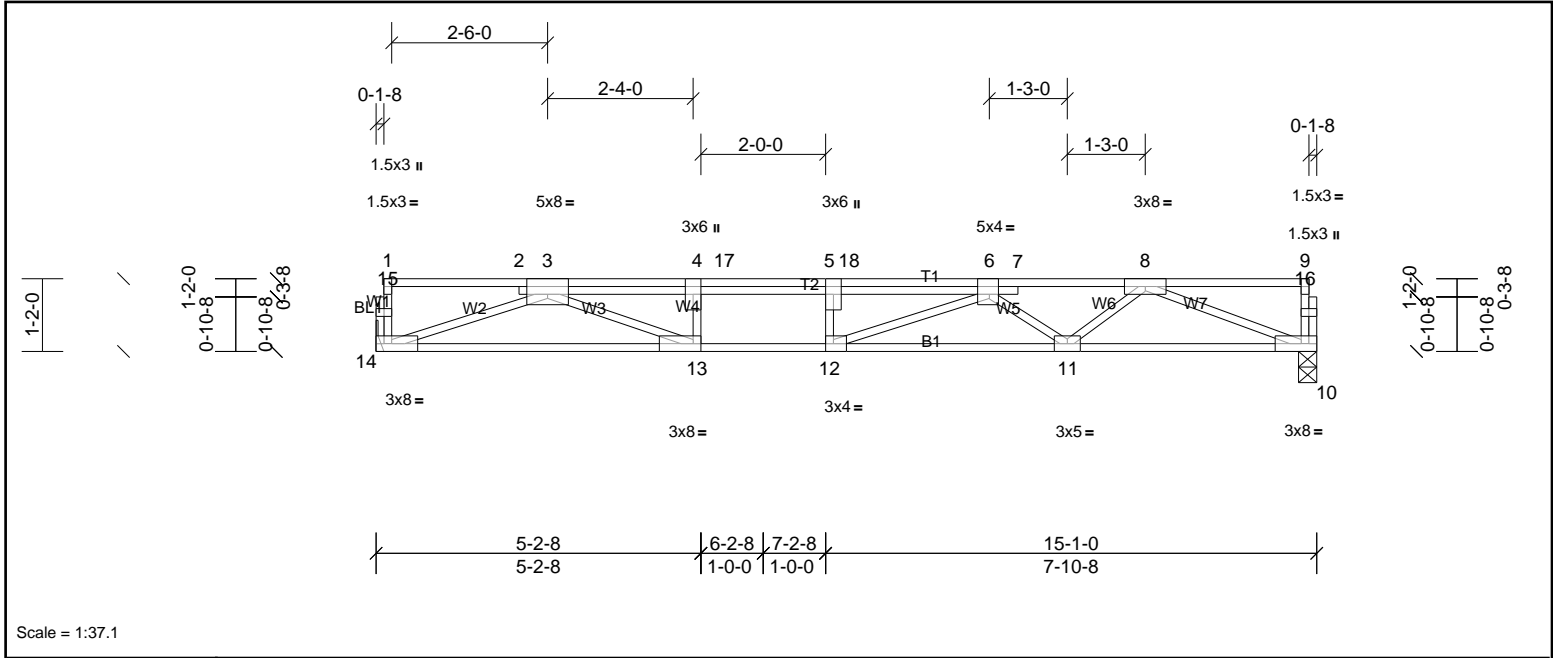


Plate Offsets (X, Y): [3:0-4-0,Edge], [5:0-3-0,Edge], [6:0-1-12,Edge], [12:0-1-8,Edge], [13:0-1-8,Edge]

Loading	(psf)	Spacing	2-0-0	CSI	DEFL	in	(loc)	l/defl	L/d	PLATES	GRIP	
TCLL	40.0	Plate Grip DOL	1.00	TC	0.97	Vert(LL)	-0.19	11-12	>925	480	MT20	244/190
TCDL	30.0	Lumber DOL	1.00	BC	0.66	Vert(CT)	-0.38	11-12	>464	360		
BCLL	0.0	Rep Stress Incr	NO	WB	0.86	Horz(CT)	0.06	10	n/a	n/a		
BCDL	5.0	Code	IRC2015/TPI2014	Matrix-SH							Weight: 84 lb	FT = 20%F, 12%E

LUMBER	BRACING
TOP CHORD 2x4 SP No.2(flat)	TOP CHORD Structural wood sheathing directly applied or 4-1-9 oc purlins, except end verticals.
BOT CHORD 2x4 SP SS(flat)	BOT CHORD Rigid ceiling directly applied or 10-0-0 oc bracing.
WEBS 2x4 SP No.3(flat)	
OTHERS 2x4 SP No.3(flat)	

REACTIONS (lb/size) 10=1135/0-3-8, (min. 0-1-8), 14=1144/ Mechanical, (min. 0-1-8)

FORCES (lb) - Max. Comp./Max. Ten. - All forces 250 (lb) or less except when shown.
 TOP CHORD 3-4=-4248/0, 4-17=-4248/0, 5-17=-4248/0, 5-18=-4248/0, 6-18=-4248/0, 6-7=-3187/0, 7-8=-3188/0
 BOT CHORD 13-14=0/2649, 12-13=0/4248, 11-12=0/3909, 10-11=0/2439
 WEBS 4-13=-584/0, 3-14=-2818/0, 3-13=0/1816, 8-10=-2614/0, 8-11=0/975, 6-11=-917/0, 6-12=0/710

- NOTES
- Unbalanced floor live loads have been considered for this design.
 - This truss is designed in accordance with the 2015 International Residential Code sections R502.11.1 and R802.10.2 and referenced standard ANSI/TPI 1.
 - Load case(s) 1 has/have been modified. Building designer must review loads to verify that they are correct for the intended use of this truss.
 - Recommend 2x6 strongbacks, on edge, spaced at 10-00-00 oc and fastened to each truss with 3-10d (0.131" X 3") nails. Strongbacks to be attached to walls at their outer ends or restrained by other means.

LOAD CASE(S) Standard
 1) Dead + Floor Live (balanced): Lumber Increase=1.00, Plate Increase=1.00
 Uniform Loads (lb/ft)
 Vert: 10-14=-10, 1-17=-140, 17-18=-176, 9-18=-140



This design is based upon parameters shown, and is for an individual building component to be installed and loaded vertically. Applicability of design parameters and proper incorporation of component is responsibility of the Building Designer. Building Designer shall verify all design information on this sheet for conformance with conditions and requirements of the specific building and governing codes and ordinances. Building Designer accepts responsibility for the correctness or accuracy of the design information as it may relate to a specific building. Certification is valid only when truss is fabricated by a UFPI plant. Bracing shown is for lateral support of truss members only and does not replace erection and permanent bracing. Refer to Building Component Safety Information (BCSI) for general guidance regarding storage, erection and bracing available from SBCA and Truss Plate Institute.



Job 72439475	Truss F210	Truss Type Truss	Qty 2	Ply 1	MUNGO HOMES - TELFAIR 2ND FLR Job Reference (optional)
-----------------	---------------	---------------------	----------	----------	-----------------------------------------------------------

UFP Mid Atlantic LLC, 5631 S. NC 62, Burlington, NC, Joy Perry

Run: 8.81 S Sep 13 2024 Print: 8.810 S Sep 13 2024 MiTek Industries, Inc. Mon Dec 30 12:12:42

Page: 1

ID:a?q6?71yTv6SHVH?OIzqv2z8gqv-mP58oaD0VIV8jf2wdsjMibOp8zbhz47m84usxFy3o9p

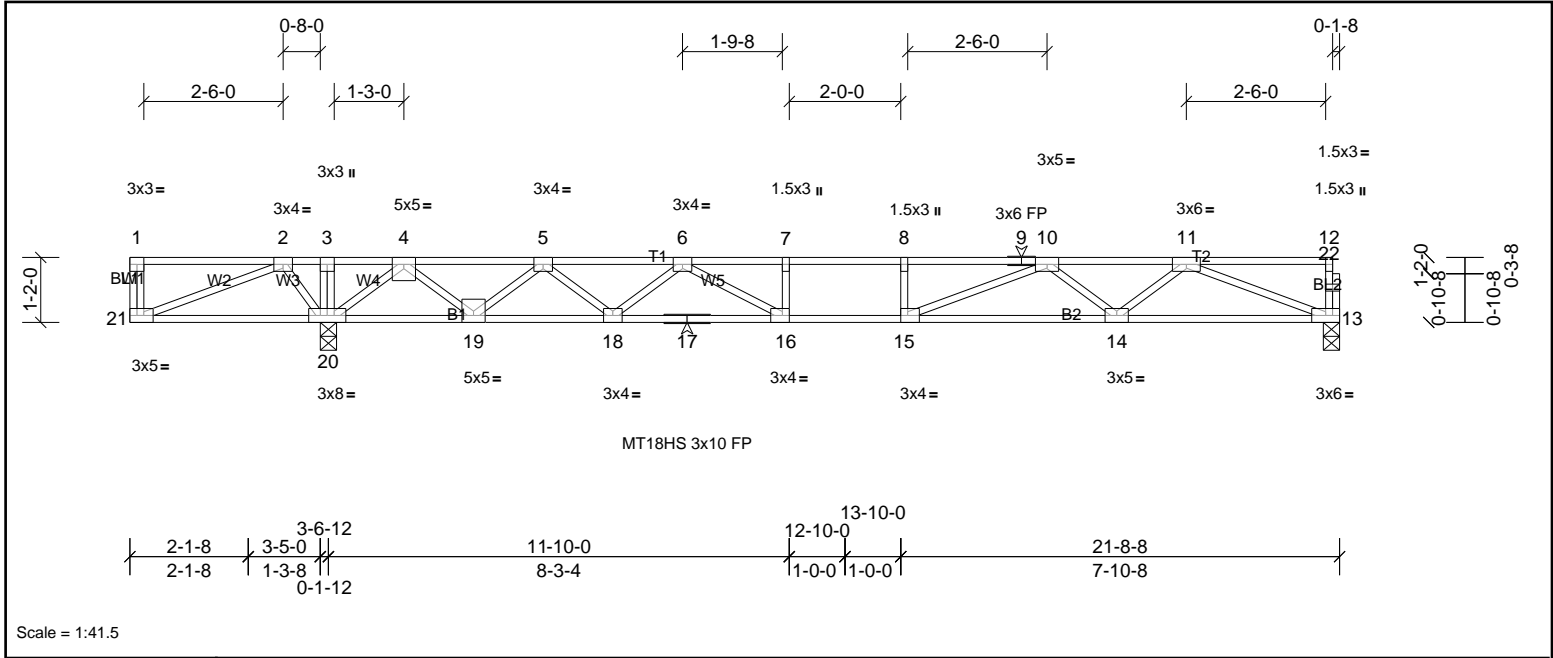


Plate Offsets (X, Y): [15:0-1-8,Edge], [16:0-1-8,Edge], [21:0-2-0,Edge]

Loading	(psf)	Spacing	2-0-0	CSI	DEFLL	in	(loc)	l/defl	L/d	PLATES	GRIP	
TCLL	40.0	Plate Grip DOL	1.00	TC	0.83	Vert(LL)	-0.35	15-16	>621	480	MT18HS	244/190
TCDL	10.0	Lumber DOL	1.00	BC	0.95	Vert(CT)	-0.46	15-16	>467	360	MT20	244/190
BCLL	0.0	Rep Stress Incr	YES	WB	0.63	Horz(CT)	0.07	13	n/a	n/a		
BCDL	5.0	Code	IRC2015/TPI2014	Matrix-SH								
											Weight: 108 lb	FT = 20%F, 12%E

LUMBER	BRACING
TOP CHORD 2x4 SP No.2(flat)	TOP CHORD Structural wood sheathing directly applied or 2-2-0 oc purlins, except end verticals.
BOT CHORD 2x4 SP No.1(flat)	BOT CHORD Rigid ceiling directly applied or 2-2-0 oc bracing.
WEBS 2x4 SP No.3(flat)	
OTHERS 2x4 SP No.3(flat)	

REACTIONS (lb/size) 13=949/0-3-8, (min. 0-1-8), 20=1405/0-3-8, (min. 0-1-8)
Max Grav 13=975 (LC 4), 20=1405 (LC 1)

FORCES (lb) - Max. Comp./Max. Ten. - All forces 250 (lb) or less except when shown.
TOP CHORD 2-3=0/612, 3-4=0/611, 4-5=-1942/0, 5-6=-3330/0, 6-7=-4164/0, 7-8=-4164/0, 8-9=-4164/0, 9-10=-4164/0, 10-11=-2838/0
BOT CHORD 20-21=-298/0, 19-20=-239/1071, 18-19=0/2794, 17-18=0/3825, 16-17=0/3825, 15-16=0/4164, 14-15=0/3474, 13-14=0/2152
WEBS 7-16=-278/0, 8-15=-256/0, 2-21=0/320, 2-20=-514/0, 4-20=-1585/0, 4-19=0/1175, 5-19=-1146/0, 5-18=0/732, 6-18=-692/0, 6-16=-50/851, 11-13=-2309/0, 11-14=0/893, 10-14=-828/0, 10-15=0/1001

- NOTES**
- 1) Unbalanced floor live loads have been considered for this design.
 - 2) All plates are MT20 plates unless otherwise indicated.
 - 3) This truss is designed in accordance with the 2015 International Residential Code sections R502.11.1 and R802.10.2 and referenced standard ANSI/TPI 1.
 - 4) Recommend 2x6 strongbacks, on edge, spaced at 10-00-00 oc and fastened to each truss with 3-10d (0.131" X 3") nails. Strongbacks to be attached to walls at their outer ends or restrained by other means.
 - 5) CAUTION, Do not erect truss backwards.



This design is based upon parameters shown, and is for an individual building component to be installed and loaded vertically. Applicability of design parameters and proper incorporation of component is responsibility of the Building Designer. Building Designer shall verify all design information on this sheet for conformance with conditions and requirements of the specific building and governing codes and ordinances. Building Designer accepts responsibility for the correctness or accuracy of the design information as it may relate to a specific building. Certification is valid only when truss is fabricated by a UFPI plant. Bracing shown is for lateral support of truss members only and does not replace erection and permanent bracing. Refer to Building Component Safety Information (BCSI) for general guidance regarding storage, erection and bracing available from SBCA and Truss Plate Institute.



Job 72439475	Truss F211	Truss Type Truss	Qty 3	Ply 1	MUNGO HOMES - TELFAIR 2ND FLR Job Reference (optional)
-----------------	---------------	---------------------	----------	----------	-----------------------------------------------------------

UFP Mid Atlantic LLC, 5631 S. NC 62, Burlington, NC, Joy Perry

Run: 8.81 S Sep 13 2024 Print: 8.810 S Sep 13 2024 MiTek Industries, Inc. Mon Dec 30 12:12:43

Page: 1

ID:a?q6?71yTv6SHVH?OIZqv2z8gqv-FbfX?wEeFcd?Kpd6BZEbFoxzWNwAIXFvNkePThy3o9o

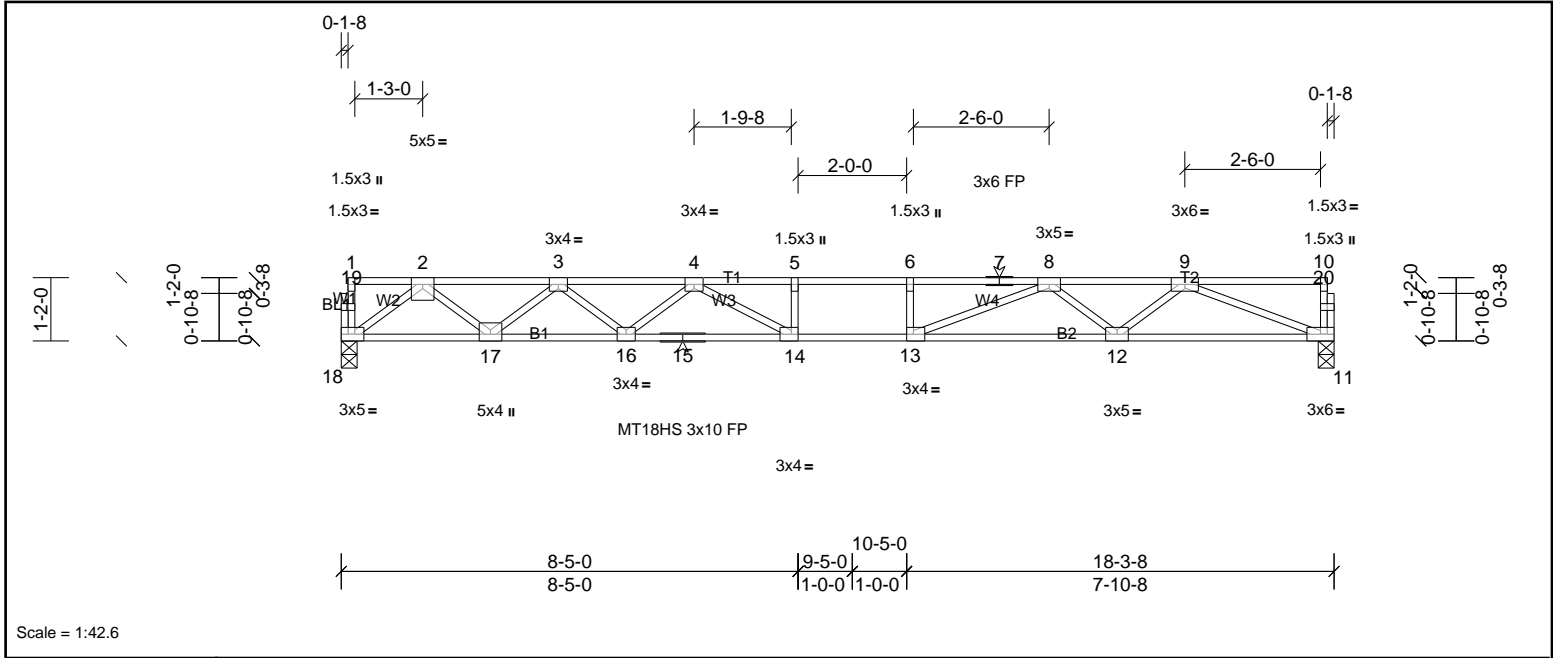


Plate Offsets (X, Y): [13:0-1-8,Edge], [14:0-1-8,Edge], [18:0-2-0,Edge]

Loading	(psf)	Spacing	2-0-0	CSI	DEFL	in	(loc)	l/defl	L/d	PLATES	GRIP	
TCLL	40.0	Plate Grip DOL	1.00	TC	0.85	Vert(LL)	-0.35	13-14	>619	480	MT18HS	244/190
TCDL	10.0	Lumber DOL	1.00	BC	1.00	Vert(CT)	-0.48	14	>450	360	MT20	244/190
BCLL	0.0	Rep Stress Incr	YES	WB	0.64	Horz(CT)	0.08	11	n/a	n/a		
BCDL	5.0	Code	IRC2015/TPI2014	Matrix-SH							Weight: 89 lb	FT = 20%F, 12%E

LUMBER	BRACING
TOP CHORD 2x4 SP No.2(flat)	TOP CHORD Structural wood sheathing directly applied or 2-2-0 oc purlins, except end verticals.
BOT CHORD 2x4 SP No.1(flat)	BOT CHORD Rigid ceiling directly applied or 1-4-12 oc bracing.
WEBS 2x4 SP No.3(flat)	
OTHERS 2x4 SP No.3(flat)	

REACTIONS	(lb/size)
	11=986/0-3-8, (min. 0-1-8), 18=986/0-3-8, (min. 0-1-8)
FORCES	(lb) - Max. Comp./Max. Ten. - All forces 250 (lb) or less except when shown.
TOP CHORD	2-3=-2102/0, 3-4=-3461/0, 4-5=-4251/0, 5-6=-4251/0, 6-7=-4251/0, 7-8=-4251/0, 8-9=-2876/0
BOT CHORD	17-18=0/1235, 16-17=0/2938, 15-16=0/3943, 14-15=0/3943, 13-14=0/4251, 12-13=0/3525, 11-12=0/2178
WEBS	6-13=-264/0, 2-18=-1547/0, 2-17=0/1128, 3-17=-1089/0, 3-16=0/680, 4-16=-627/0, 4-14=-84/732, 9-11=-2337/0, 9-12=0/908, 8-12=-845/0, 8-13=0/1040

- NOTES**
- 1) Unbalanced floor live loads have been considered for this design.
 - 2) All plates are MT20 plates unless otherwise indicated.
 - 3) This truss is designed in accordance with the 2015 International Residential Code sections R502.11.1 and R802.10.2 and referenced standard ANSI/TPI 1.
 - 4) Recommend 2x6 strongbacks, on edge, spaced at 10-00-00 oc and fastened to each truss with 3-10d (0.131" X 3") nails. Strongbacks to be attached to walls at their outer ends or restrained by other means.



This design is based upon parameters shown, and is for an individual building component to be installed and loaded vertically. Applicability of design parameters and proper incorporation of component is responsibility of the Building Designer. Building Designer shall verify all design information on this sheet for conformance with conditions and requirements of the specific building and governing codes and ordinances. Building Designer accepts responsibility for the correctness or accuracy of the design information as it may relate to a specific building. Certification is valid only when truss is fabricated by a UFPI plant. Bracing shown is for lateral support of truss members only and does not replace erection and permanent bracing. Refer to Building Component Safety Information (BCSI) for general guidance regarding storage, erection and bracing available from SBCA and Truss Plate Institute.



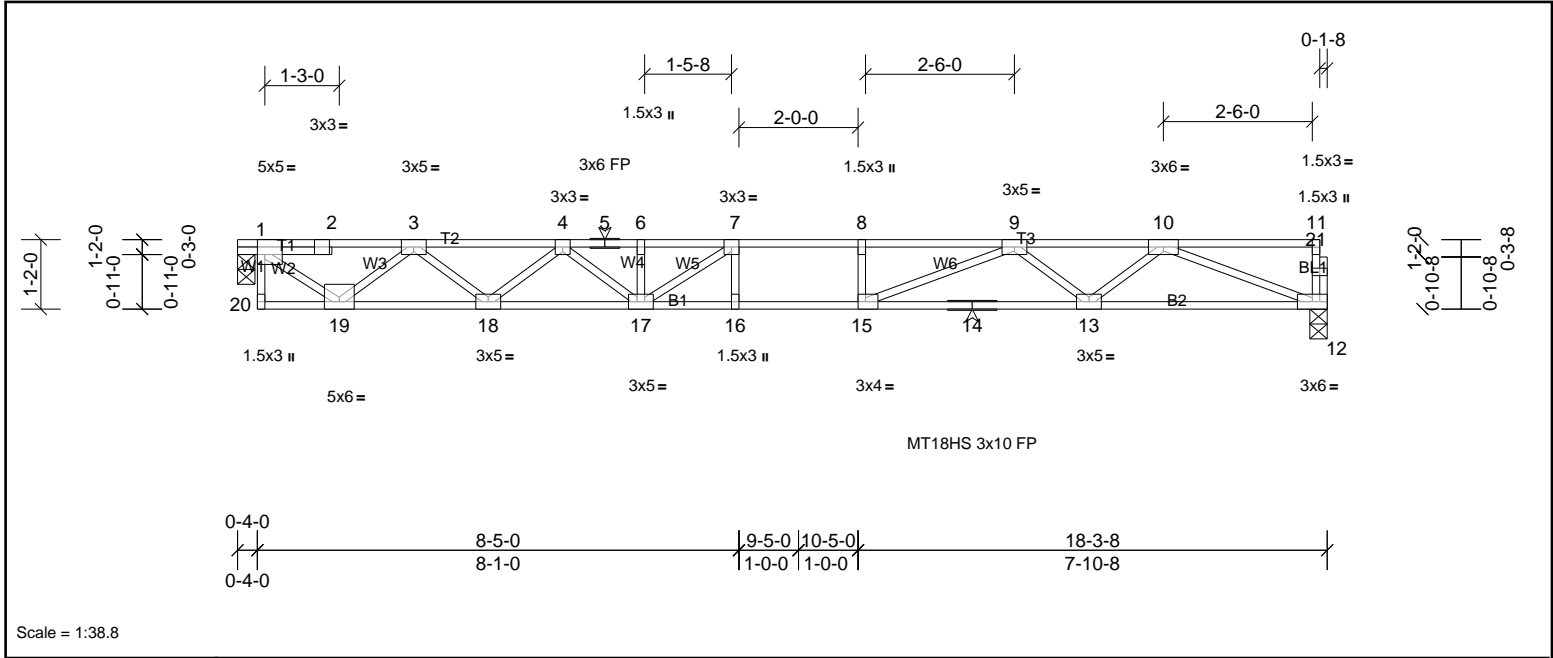
Job 72439475	Truss F212	Truss Type Truss	Qty 3	Ply 1	MUNGO HOMES - TELFAIR 2ND FLR Job Reference (optional)
-----------------	---------------	---------------------	----------	----------	-----------------------------------------------------------

UFP Mid Atlantic LLC, 5631 S. NC 62, Burlington, NC, Joy Perry

Run: 8.81 S Sep 13 2024 Print: 8.810 S Sep 13 2024 MiTek Industries, Inc. Mon Dec 30 12:12:43

Page: 1

ID:a?q6?71yTv6SHVH?OlZqv2z8gqv-FfbX?wEeFcd?Kpd6BZEbFox_TNwBiWrvNkePThy3o9o



Scale = 1:38.8

Plate Offsets (X, Y):	[1:0-1-8,Edge], [15:0-1-8,Edge]											
Loading	(psf)	Spacing	2-0-0	CSI		DEFL	in	(loc)	l/defl	L/d	PLATES	GRIP
TCLL	40.0	Plate Grip DOL	1.00	TC	0.79	Vert(LL)	-0.32	15-16	>659	480	MT20	244/190
TCDL	10.0	Lumber DOL	1.00	BC	1.00	Vert(CT)	-0.44	15-16	>479	360	MT18HS	244/190
BCLL	0.0	Rep Stress Incr	YES	WB	0.66	Horz(CT)	0.02	12	n/a	n/a		
BCDL	5.0	Code	IRC2015/TPI2014	Matrix-SH							Weight: 90 lb	FT = 20%F, 12%E

LUMBER		BRACING	
TOP CHORD	2x4 SP No.2(flat)	TOP CHORD	Structural wood sheathing directly applied or 4-8-2 oc purlins, except end verticals.
BOT CHORD	2x4 SP No.1(flat)	BOT CHORD	Rigid ceiling directly applied or 10-0-0 oc bracing, Except:
WEBS	2x4 SP No.3(flat)		2-2-0 oc bracing: 16-17
OTHERS	2x4 SP No.3(flat)		1-4-12 oc bracing: 15-16.

REACTIONS	(lb/size)	1=977/0-3-8, (min. 0-1-8), 12=971/0-3-8, (min. 0-1-8)
FORCES	(lb) - Max. Comp./Max. Ten. - All forces 250 (lb) or less except when shown.	
TOP CHORD		1-2=-1123/0, 2-3=-1119/0, 3-4=-2770/0, 4-5=-3829/0, 5-6=-3829/0, 6-7=-3829/0, 7-8=-4128/0, 8-9=-4128/0, 9-10=-2823/0
BOT CHORD		18-19=0/2095, 17-18=0/3415, 16-17=0/4128, 15-16=0/4128, 14-15=0/3453, 13-14=0/3453, 12-13=0/2142
WEBS		1-19=0/1396, 3-19=-1271/0, 3-18=0/879, 4-18=-839/0, 4-17=0/529, 7-17=-752/124, 10-12=-2297/0, 10-13=0/887, 9-13=-821/0, 9-15=0/978

- NOTES**
- 1) Unbalanced floor live loads have been considered for this design.
 - 2) All plates are MT20 plates unless otherwise indicated.
 - 3) This truss is designed in accordance with the 2015 International Residential Code sections R502.11.1 and R802.10.2 and referenced standard ANSI/TPI 1.
 - 4) Recommend 2x6 strongbacks, on edge, spaced at 10-00-00 oc and fastened to each truss with 3-10d (0.131" X 3") nails. Strongbacks to be attached to walls at their outer ends or restrained by other means.
 - 5) Gap between inside of top chord bearing and first diagonal or vertical web shall not exceed 0.500in.
 - 6) CAUTION, Do not erect truss backyards.



This design is based upon parameters shown, and is for an individual building component to be installed and loaded vertically. Applicability of design parameters and proper incorporation of component is responsibility of the Building Designer. Building Designer shall verify all design information on this sheet for conformance with conditions and requirements of the specific building and governing codes and ordinances. Building Designer accepts responsibility for the correctness or accuracy of the design information as it may relate to a specific building. Certification is valid only when truss is fabricated by a UFPI plant. Bracing shown is for lateral support of truss members only and does not replace erection and permanent bracing. Refer to Building Component Safety Information (BCSI) for general guidance regarding storage, erection and bracing available from SBCA and Truss Plate Institute.



Job 72439475	Truss FG1	Truss Type Truss	Qty 1	Ply 1	MUNGO HOMES - TELFAIR 2ND FLR Job Reference (optional)
-----------------	--------------	---------------------	----------	----------	-----------------------------------------------------------

UFPI Mid Atlantic LLC, 5631 S. NC 62, Burlington, NC, Joy Perry

Run: 8.81 S Sep 13 2024 Print: 8.810 S Sep 13 2024 MiTek Industries, Inc. Mon Dec 30 12:12:43

Page: 1

ID:a?q6?71yTv6SHVH?OIzqv2z8gqv-FbfX?wEeFcd?Kpd6BZEbFox3XNzgiWXvNkePThy3o9o

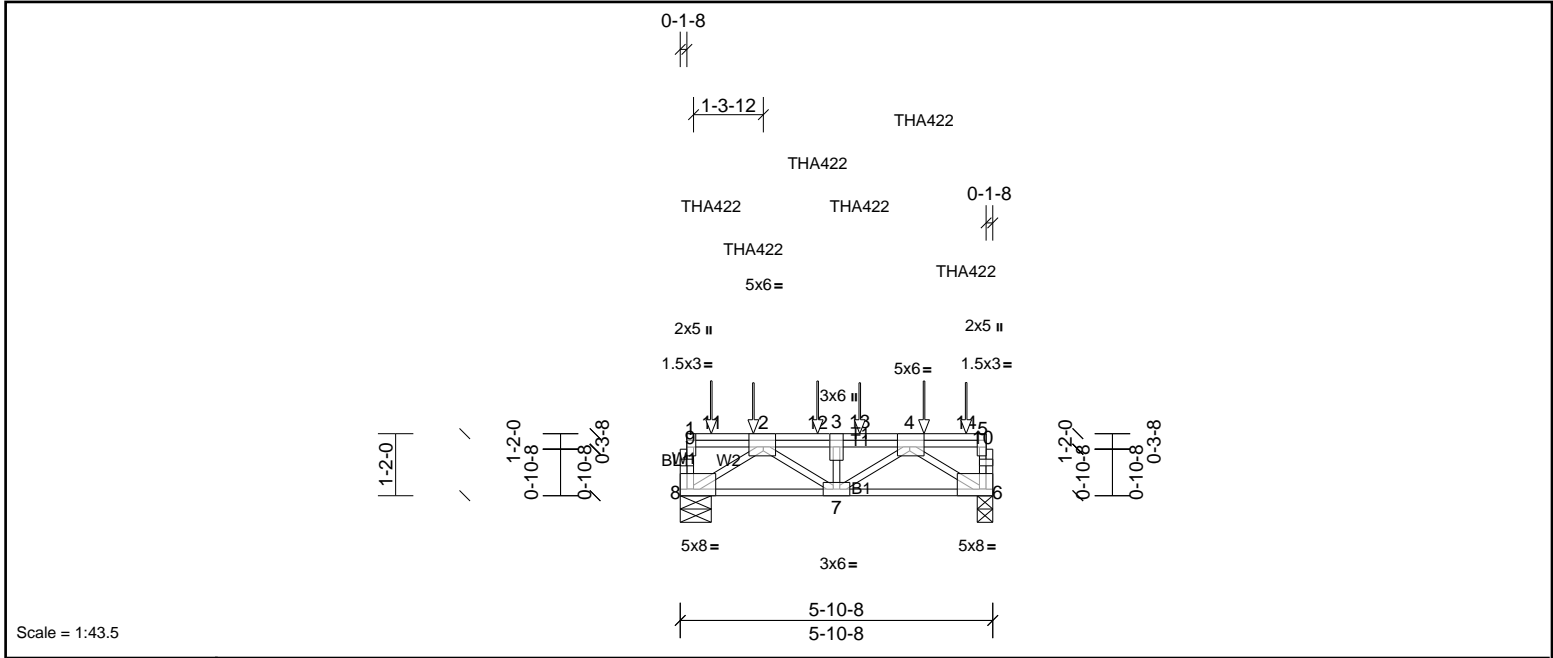


Plate Offsets (X, Y): [2:0-2-12,Edge], [4:0-2-12,Edge], [5:0-3-0,Edge], [6:Edge,0-1-8], [8:Edge,0-1-8]

Loading	(psf)	Spacing	2-0-0	CSI	DEFL	in	(loc)	l/defl	L/d	PLATES	GRIP	
TCLL	40.0	Plate Grip DOL	1.00	TC	0.47	Vert(LL)	-0.03	7	>999	480	MT20	244/190
TCDL	10.0	Lumber DOL	1.00	BC	0.78	Vert(CT)	-0.05	7	>999	360		
BCLL	0.0	Rep Stress Incr	NO	WB	0.68	Horz(CT)	0.02	6	n/a	n/a		
BCDL	5.0	Code	IRC2015/TPI2014	Matrix-SH							Weight: 40 lb	FT = 20%F, 12%E

LUMBER		BRACING	
TOP CHORD	2x4 SP No.2(flat)	TOP CHORD	Structural wood sheathing directly applied or 5-10-8 oc purlins, except end verticals.
BOT CHORD	2x4 SP No.2(flat)	BOT CHORD	Rigid ceiling directly applied or 10-0-0 oc bracing.
WEBS	2x4 SP No.3(flat)		
OTHERS	2x4 SP No.3(flat)		

REACTIONS	(lb/size)	6=2099/0-3-8, (min. 0-1-8), 8=2197/0-7-0, (min. 0-1-8)
FORCES (lb) - Max. Comp./Max. Ten. - All forces 250 (lb) or less except when shown.		
TOP CHORD		8-9=-573/0, 1-9=-572/0, 6-10=-447/0, 5-10=-446/0, 2-12=-3179/0, 3-12=-3179/0, 3-13=-3179/0, 4-13=-3179/0
BOT CHORD		7-8=0/2399, 6-7=0/2431
WEBS		3-7=-1063/0, 2-8=-2859/0, 2-7=0/957, 4-6=-2907/0, 4-7=0/918

- NOTES**
- This truss is designed in accordance with the 2015 International Residential Code sections R502.11.1 and R802.10.2 and referenced standard ANSI/TPI 1.
 - Recommend 2x6 strongbacks, on edge, spaced at 10-00-00 oc and fastened to each truss with 3-10d (0.131" X 3") nails. Strongbacks to be attached to walls at their outer ends or restrained by other means.
 - Use Simpson Strong-Tie THA422 (6-16d Girder, 6-10d Truss) or equivalent spaced at 2-0-0 oc max. starting at 1-4-8 from the left end to 5-4-8 to connect truss(es) to front face of top chord.
 - Use Simpson Strong-Tie THA422 (6-16d Girder, 6-10d Truss) or equivalent spaced at 2-0-0 oc max. starting at 0-7-0 from the left end to 4-7-0 to connect truss(es) to back face of top chord.
 - Fill all nail holes where hanger is in contact with lumber.
 - In the LOAD CASE(S) section, loads applied to the face of the truss are noted as front (F) or back (B).
- LOAD CASE(S)** Standard
- Dead + Floor Live (balanced): Lumber Increase=1.00, Plate Increase=1.00
Uniform Loads (lb/ft)
Vert: 6-8=-10, 1-5=-100
Concentrated Loads (lb)
Vert: 2=-467 (F), 4=-742 (B), 11=-772 (B), 12=-742 (B), 13=-467 (F), 14=-501 (F)



This design is based upon parameters shown, and is for an individual building component to be installed and loaded vertically. Applicability of design parameters and proper incorporation of component is responsibility of the Building Designer. Building Designer shall verify all design information on this sheet for conformance with conditions and requirements of the specific building and governing codes and ordinances. Building Designer accepts responsibility for the correctness or accuracy of the design information as it may relate to a specific building. Certification is valid only when truss is fabricated by a UFPI plant. Bracing shown is for lateral support of truss members only and does not replace erection and permanent bracing. Refer to Building Component Safety Information (BCSI) for general guidance regarding storage, erection and bracing available from SBCA and Truss Plate Institute.



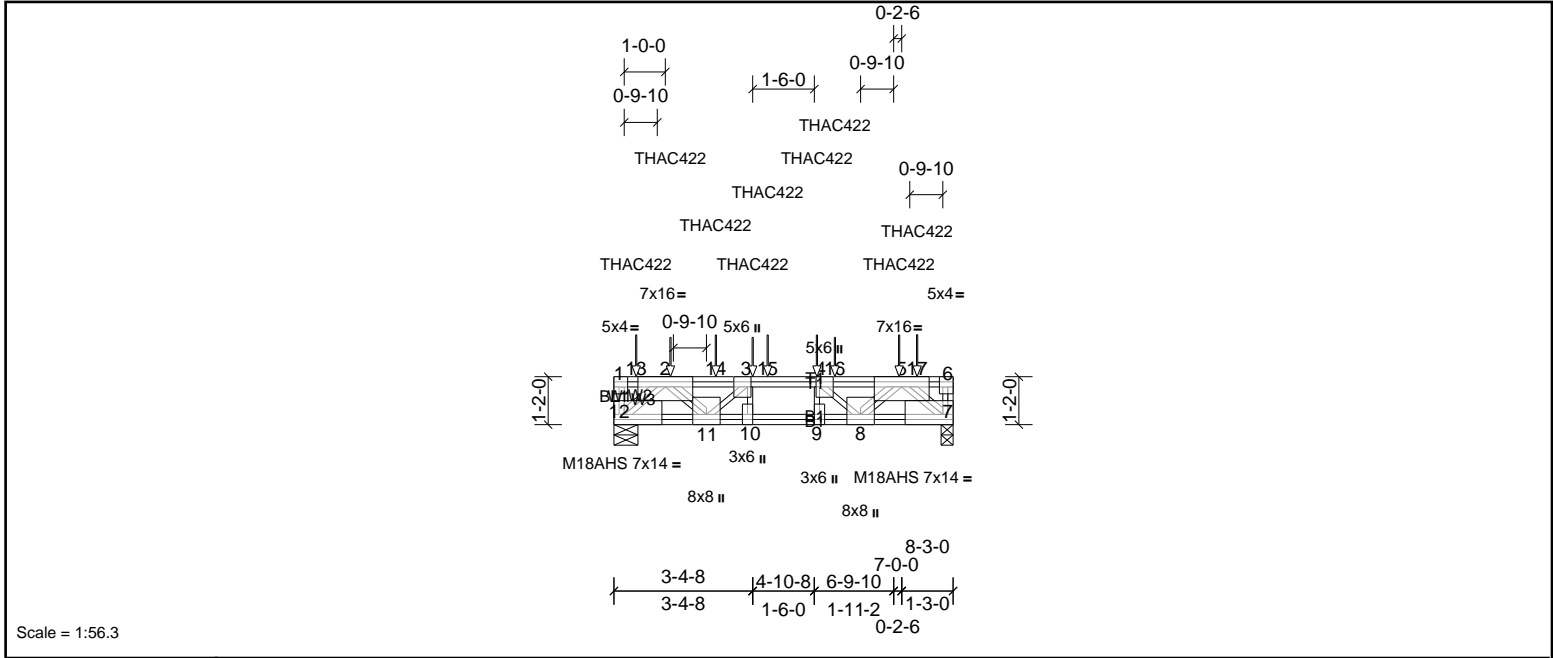
Job 72439475	Truss FG2	Truss Type Truss	Qty 1	Ply 1	MUNGO HOMES - TELFAIR 2ND FLR Job Reference (optional)
-----------------	--------------	---------------------	----------	----------	-----------------------------------------------------------

UFP Mid Atlantic LLC, 5631 S. NC 62, Burlington, NC, Joy Perry

Run: 8.81 S Sep 13 2024 Print: 8.810 S Sep 13 2024 MiTek Industries, Inc. Mon Dec 30 12:12:43

Page: 1

ID:a?q6?71yTv6SHVH?OIzqv2z8gqv-FbFX?wEeFcd?Kpd6BZEbFox_tNyqiUmvNkePThy3o9o



Scale = 1:56.3

Plate Offsets (X, Y): [1:Edge,0-3-0], [3:0-3-0,Edge], [4:0-3-0,Edge], [6:0-1-8,Edge], [7:Edge,0-3-0], [9:0-3-0,Edge], [12:Edge,0-3-0]

Loading	(psf)	Spacing	2-0-0	CSI	DEFL	in	(loc)	l/defl	L/d	PLATES	GRIP	
TCLL	40.0	Plate Grip DOL	1.00	TC	0.83	Vert(LL)	-0.07	10-11	>999	480	M18AHS	186/179
TCDL	10.0	Lumber DOL	1.00	BC	0.83	Vert(CT)	-0.13	10	>766	360	MT20	244/190
BCLL	0.0	Rep Stress Incr	NO	WB	0.80	Horz(CT)	0.03	7	n/a	n/a		
BCDL	5.0	Code	IRC2015/TPI2014	Matrix-SH							Weight: 72 lb	FT = 20%F, 12%E

LUMBER		BRACING	
TOP CHORD	2x4 SP No.1(flat)	TOP CHORD	Structural wood sheathing directly applied or 5-4-12 oc purlins, except end verticals.
BOT CHORD	2x4 SP SS(flat)	BOT CHORD	Rigid ceiling directly applied or 10-0-0 oc bracing.
WEBS	2x4 SP No.3(flat)		
OTHERS	2x4 SP No.3(flat)		

REACTIONS	(lb/size)	7=4416/0-3-8, (min. 0-3-0), 12=4274/0-7-0, (min. 0-2-14)
	Max Grav	7=4446 (LC 4), 12=4274 (LC 1)

FORCES	(lb) - Max. Comp./Max. Ten. - All forces 250 (lb) or less except when shown.
TOP CHORD	1-12=-566/0, 6-7=-368/0, 2-14=-6834/0, 3-14=-6834/0, 3-15=-8947/0, 4-15=-8947/0, 4-16=-6969/0, 5-16=-6969/0
BOT CHORD	11-12=0/4523, 10-11=0/8962, 9-10=0/8947, 8-9=0/8941, 7-8=0/4979
WEBS	3-10=-619/300, 4-9=-390/523, 5-7=-6423/0, 5-8=0/3105, 4-8=-3345/0, 2-12=-5835/0, 2-11=0/3349, 3-11=-3424/0

- NOTES**
- Unbalanced floor live loads have been considered for this design.
 - All plates are MT20 plates unless otherwise indicated.
 - The Fabrication Tolerance at joint 12 = 8%, joint 7 = 8%
 - This truss is designed in accordance with the 2015 International Residential Code sections R502.11.1 and R802.10.2 and referenced standard ANSI/TPI 1.
 - Recommend 2x6 strongbacks, on edge, spaced at 10-00-00 oc and fastened to each truss with 3-10d (0.131" X 3") nails. Strongbacks to be attached to walls at their outer ends or restrained by other means.
 - Use Simpson Strong-Tie THAC422 (Single Chord Girder) or equivalent spaced at 2-0-0 oc max. starting at 0-6-8 from the left end to 6-11-4 to connect truss(es) to front face of top chord.
 - Use Simpson Strong-Tie THAC422 (Single Chord Girder) or equivalent spaced at 2-0-0 oc max. starting at 1-4-8 from the left end to 7-4-8 to connect truss(es) to back face of top chord.
 - Fill all nail holes where hanger is in contact with lumber.
 - In the LOAD CASE(S) section, loads applied to the face of the truss are noted as front (F) or back (B).

LOAD CASE(S)	Standard
1) Dead + Floor Live (balanced): Lumber Increase=1.00, Plate Increase=1.00	
Uniform Loads (lb/ft)	
	Vert: 7-12=-10, 1-6=-100
Concentrated Loads (lb)	
	Vert: 3=-467 (B), 4=-1044 (F), 5=-1044 (F), 2=-467 (B), 13=-1074 (F), 14=-1044 (F), 15=-1044 (F), 16=-467 (B), 17=-1159 (B)



This design is based upon parameters shown, and is for an individual building component to be installed and loaded vertically. Applicability of design parameters and proper incorporation of component is responsibility of the Building Designer. Building Designer shall verify all design information on this sheet for conformance with conditions and requirements of the specific building and governing codes and ordinances. Building Designer accepts responsibility for the correctness or accuracy of the design information as it may relate to a specific building. Certification is valid only when truss is fabricated by a UFPI plant. Bracing shown is for lateral support of truss members only and does not replace erection and permanent bracing. Refer to Building Component Safety Information (BCSI) for general guidance regarding storage, erection and bracing available from SBCA and Truss Plate Institute.



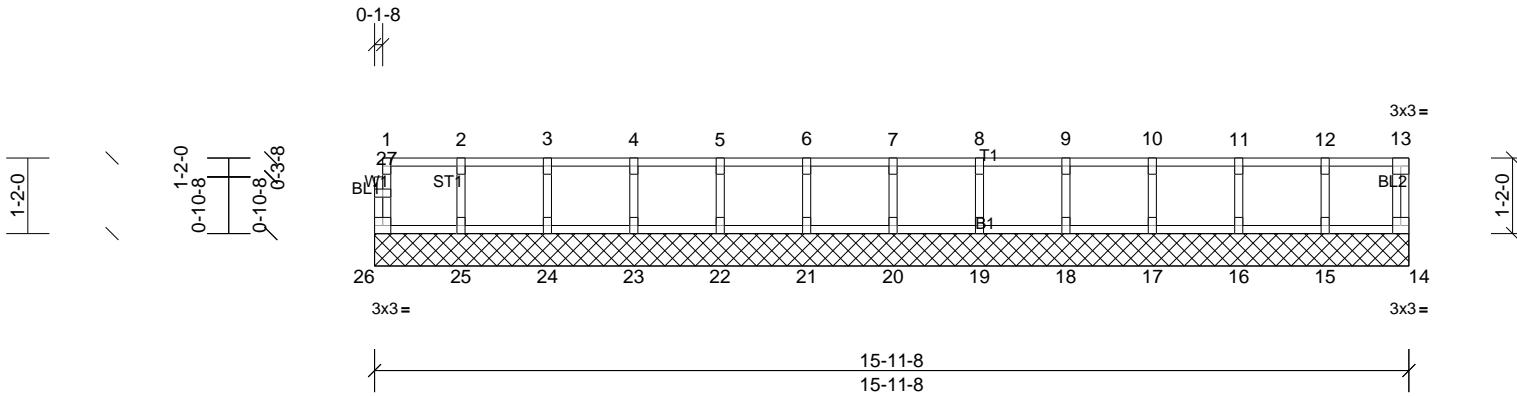
Job 72439475	Truss K200	Truss Type Truss	Qty 1	Ply 1	MUNGO HOMES - TELFAIR 2ND FLR Job Reference (optional)
-----------------	---------------	---------------------	----------	----------	-----------------------------------------------------------

UFP Mid Atlantic LLC, 5631 S. NC 62, Burlington, NC, Joy Perry

Run: 8.81 S Sep 13 2024 Print: 8.810 S Sep 13 2024 MiTek Industries, Inc. Mon Dec 30 12:12:43

Page: 1

ID:a?q6?71yTv6SHVH?OIZqv2z8gqv-FbfX?wEeFcd?Kpd6BZEbF0x9gN9giglvNkePThy3o9o



Scale = 1:35.7

Loading	(psf)	Spacing	2-0-0	CSI	DEFL	in	(loc)	l/defl	L/d	PLATES	GRIP	
TCLL	40.0	Plate Grip DOL	1.00	TC	0.08	Vert(LL)	n/a	-	n/a	999	MT20	244/190
TCDL	10.0	Lumber DOL	1.00	BC	0.01	Vert(TL)	n/a	-	n/a	999		
BCLL	0.0	Rep Stress Incr	YES	WB	0.03	Horiz(TL)	0.00	14	n/a	n/a		
BCDL	5.0	Code	IRC2015/TPI2014	Matrix-R							Weight: 67 lb	FT = 20%F, 12%E

LUMBER		BRACING	
TOP CHORD	2x4 SP No.2(flat)	TOP CHORD	Structural wood sheathing directly applied or 6-0-0 oc purlins, except end verticals.
BOT CHORD	2x4 SP No.2(flat)	BOT CHORD	Rigid ceiling directly applied or 10-0-0 oc bracing.
WEBS	2x4 SP No.3(flat)		
OTHERS	2x4 SP No.3(flat)		

REACTIONS All bearings 15-11-8.
(lb) - Max Grav All reactions 250 (lb) or less at joint(s) 14, 15, 16, 17, 18, 19, 20, 21, 22, 23, 24, 25, 26

FORCES (lb) - Max. Comp./Max. Ten. - All forces 250 (lb) or less except when shown.

- NOTES**
- 1) All plates are 1.5x3 MT20 unless otherwise indicated.
 - 2) Gable requires continuous bottom chord bearing.
 - 3) Truss to be fully sheathed from one face or securely braced against lateral movement (i.e. diagonal web).
 - 4) Gable studs spaced at 1-4-0 oc.
 - 5) This truss is designed in accordance with the 2015 International Residential Code sections R502.11.1 and R802.10.2 and referenced standard ANSI/TPI 1.
 - 6) Recommend 2x6 strongbacks, on edge, spaced at 10-00-00 oc and fastened to each truss with 3-10d (0.131" X 3") nails. Strongbacks to be attached to walls at their outer ends or restrained by other means.



This design is based upon parameters shown, and is for an individual building component to be installed and loaded vertically. Applicability of design parameters and proper incorporation of component is responsibility of the Building Designer. Building Designer shall verify all design information on this sheet for conformance with conditions and requirements of the specific building and governing codes and ordinances. Building Designer accepts responsibility for the correctness or accuracy of the design information as it may relate to a specific building. Certification is valid only when truss is fabricated by a UFPI plant. Bracing shown is for lateral support of truss members only and does not replace erection and permanent bracing. Refer to Building Component Safety Information (BCSI) for general guidance regarding storage, erection and bracing available from SBCA and Truss Plate Institute.



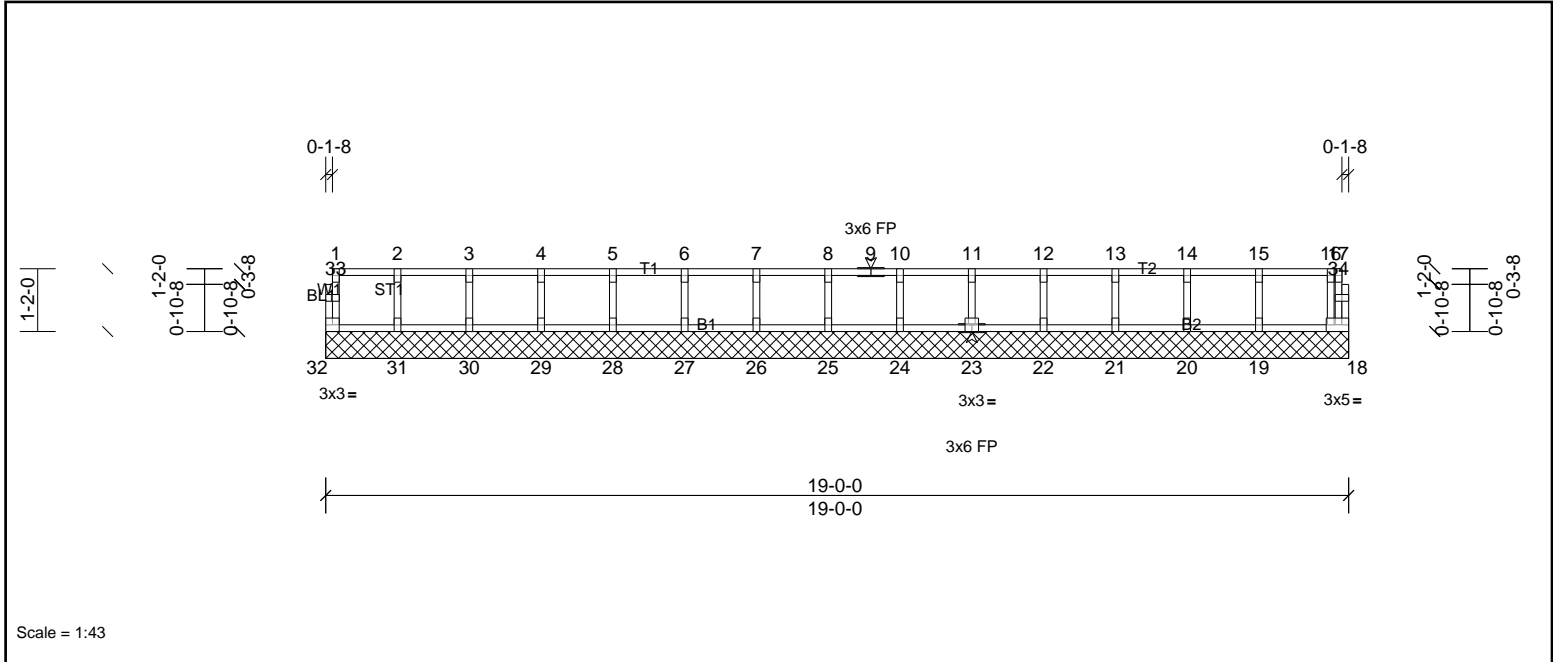
Job 72439475	Truss K201	Truss Type Truss	Qty 1	Ply 1	MUNGO HOMES - TELFAIR 2ND FLR Job Reference (optional)
-----------------	---------------	---------------------	----------	----------	-----------------------------------------------------------

UFP Mid Atlantic LLC, 5631 S. NC 62, Burlington, NC, Joy Perry

Run: 8.81 S Sep 13 2024 Print: 8.810 S Sep 13 2024 MiTek Industries, Inc. Mon Dec 30 12:12:43

Page: 1

ID:8SoLh22UeLu2PMs6EKMK9Kz1jej-FbFX?wEeFcd?Kpd6BZEbF0x9XN9UigivNkePThy3o9o



Scale = 1:43

Loading	(psf)	Spacing	2-0-0	CSI	DEFL	in	(loc)	l/defl	L/d	PLATES	GRIP	
TCLL	40.0	Plate Grip DOL	1.00	TC	0.09	Vert(LL)	n/a	-	n/a	999	MT20	244/190
TCDL	10.0	Lumber DOL	1.00	BC	0.02	Vert(TL)	n/a	-	n/a	999		
BCLL	0.0	Rep Stress Incr	YES	WB	0.03	Horiz(TL)	0.00	18	n/a	n/a		
BCDL	5.0	Code	IRC2015/TPI2014	Matrix-R							Weight: 80 lb	FT = 20%F, 12%E

LUMBER		BRACING	
TOP CHORD	2x4 SP No.2(flat)	TOP CHORD	Structural wood sheathing directly applied or 6-0-0 oc purlins, except end verticals.
BOT CHORD	2x4 SP No.2(flat)	BOT CHORD	Rigid ceiling directly applied or 10-0-0 oc bracing.
WEBS	2x4 SP No.3(flat)		
OTHERS	2x4 SP No.3(flat)		

REACTIONS All bearings 19-0-0.
(lb) - Max Grav All reactions 250 (lb) or less at joint(s) 18, 19, 20, 21, 22, 23, 24, 25, 26, 27, 28, 29, 30, 31, 32

FORCES (lb) - Max. Comp./Max. Ten. - All forces 250 (lb) or less except when shown.

- NOTES**
- All plates are 1.5x3 MT20 unless otherwise indicated.
 - Gable requires continuous bottom chord bearing.
 - Truss to be fully sheathed from one face or securely braced against lateral movement (i.e. diagonal web).
 - Gable studs spaced at 1-4-0 oc.
 - This truss is designed in accordance with the 2015 International Residential Code sections R502.11.1 and R802.10.2 and referenced standard ANSI/TPI 1.
 - Recommend 2x6 strongbacks, on edge, spaced at 10-00-00 oc and fastened to each truss with 3-10d (0.131" X 3") nails. Strongbacks to be attached to walls at their outer ends or restrained by other means.



This design is based upon parameters shown, and is for an individual building component to be installed and loaded vertically. Applicability of design parameters and proper incorporation of component is responsibility of the Building Designer. Building Designer shall verify all design information on this sheet for conformance with conditions and requirements of the specific building and governing codes and ordinances. Building Designer accepts responsibility for the correctness or accuracy of the design information as it may relate to a specific building. Certification is valid only when truss is fabricated by a UFPI plant. Bracing shown is for lateral support of truss members only and does not replace erection and permanent bracing. Refer to Building Component Safety Information (BCSI) for general guidance regarding storage, erection and bracing available from SBCA and Truss Plate Institute.



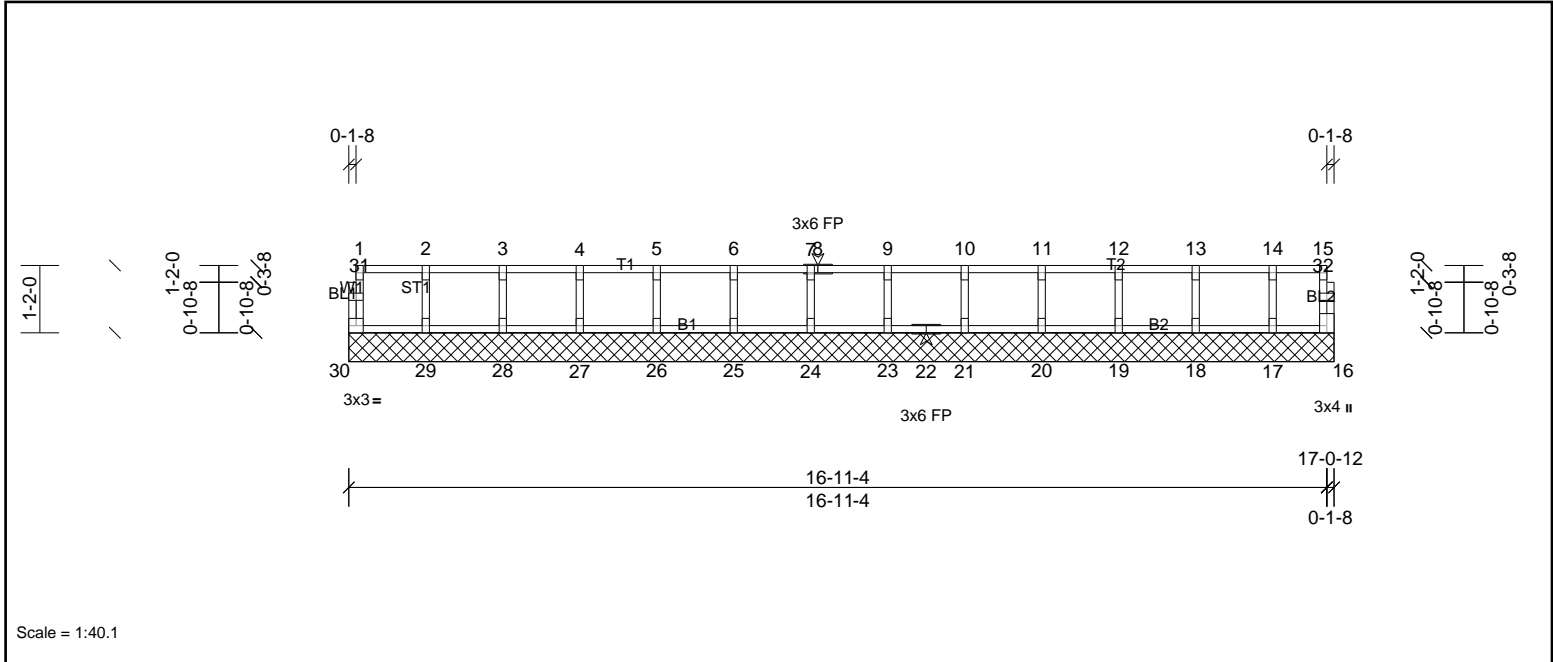
Job 72439475	Truss K202	Truss Type Truss	Qty 1	Ply 1	MUNGO HOMES - TELFAIR 2ND FLR Job Reference (optional)
-----------------	---------------	---------------------	----------	----------	-----------------------------------------------------------

UFP Mid Atlantic LLC, 5631 S. NC 62, Burlington, NC, Joy Perry

Run: 8.81 S Sep 13 2024 Print: 8.810 S Sep 13 2024 MiTek Industries, Inc. Mon Dec 30 12:12:44

Page: 1

ID:vLwVCrAqlwcs3fT_AMX8Qxz1jdG-jnDvCGFG0vlsyzCJkHlqn0UKNnVvR7_3c0Ny?7y3o9n



Scale = 1:40.1

Loading	(psf)	Spacing	2-0-0	CSI	DEFL	in	(loc)	l/defl	L/d	PLATES	GRIP
TCLL	40.0	Plate Grip DOL	1.00	TC	Vert(LL)	n/a	-	n/a	999	MT20	244/190
TCDL	10.0	Lumber DOL	1.00	BC	Vert(TL)	n/a	-	n/a	999		
BCLL	0.0	Rep Stress Incr	YES	WB	Horiz(TL)	0.00	16	n/a	n/a		
BCDL	5.0	Code	IRC2015/TPI2014	Matrix-R						Weight: 72 lb	FT = 20%F, 12%E

LUMBER		BRACING	
TOP CHORD	2x4 SP No.2(flat)	TOP CHORD	Structural wood sheathing directly applied or 6-0-0 oc purlins, except end verticals.
BOT CHORD	2x4 SP No.2(flat)	BOT CHORD	Rigid ceiling directly applied or 10-0-0 oc bracing.
WEBS	2x4 SP No.3(flat)		
OTHERS	2x4 SP No.3(flat)		

REACTIONS All bearings 17-0-12.
(lb) - Max Grav All reactions 250 (lb) or less at joint(s) 16, 17, 18, 19, 20, 21, 23, 24, 25, 26, 27, 28, 29, 30

FORCES (lb) - Max. Comp./Max. Ten. - All forces 250 (lb) or less except when shown.

- NOTES**
- 1) Unbalanced floor live loads have been considered for this design.
 - 2) All plates are 1.5x3 MT20 unless otherwise indicated.
 - 3) Gable requires continuous bottom chord bearing.
 - 4) Truss to be fully sheathed from one face or securely braced against lateral movement (i.e. diagonal web).
 - 5) Gable studs spaced at 1-4-0 oc.
 - 6) Bearing at joint(s) 16 considers parallel to grain value using ANSI/TPI 1 angle to grain formula. Building designer should verify capacity of bearing surface.
 - 7) This truss is designed in accordance with the 2015 International Residential Code sections R502.11.1 and R802.10.2 and referenced standard ANSI/TPI 1.
 - 8) Recommend 2x6 strongbacks, on edge, spaced at 10-00-00 oc and fastened to each truss with 3-10d (0.131" X 3") nails. Strongbacks to be attached to walls at their outer ends or restrained by other means.



This design is based upon parameters shown, and is for an individual building component to be installed and loaded vertically. Applicability of design parameters and proper incorporation of component is responsibility of the Building Designer. Building Designer shall verify all design information on this sheet for conformance with conditions and requirements of the specific building and governing codes and ordinances. Building Designer accepts responsibility for the correctness or accuracy of the design information as it may relate to a specific building. Certification is valid only when truss is fabricated by a UFPI plant. Bracing shown is for lateral support of truss members only and does not replace erection and permanent bracing. Refer to Building Component Safety Information (BCSI) for general guidance regarding storage, erection and bracing available from SBCA and Truss Plate Institute.



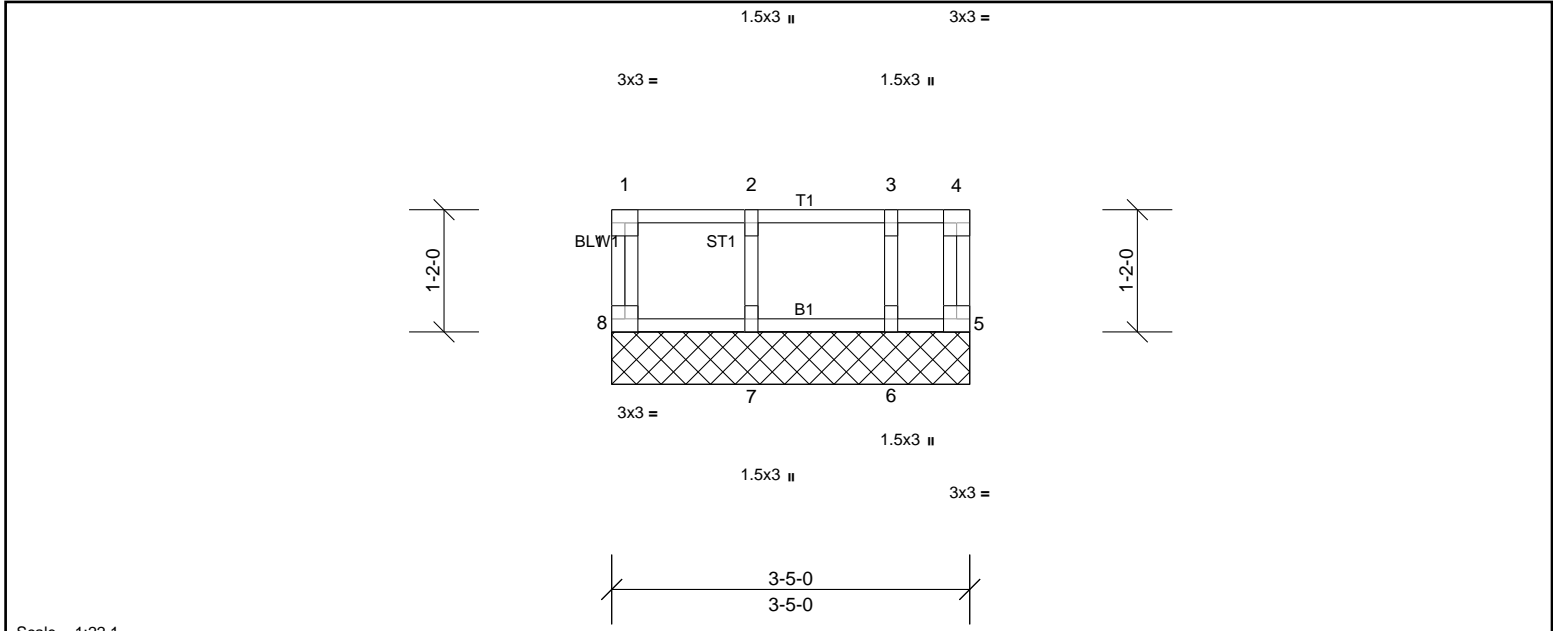
Job 72439475	Truss K203	Truss Type Truss	Qty 1	Ply 1	MUNGO HOMES - TELFAIR 2ND FLR Job Reference (optional)
-----------------	---------------	---------------------	----------	----------	-----------------------------------------------------------

UFP Mid Atlantic LLC, 5631 S. NC 62, Burlington, NC, Joy Perry

Run: 8.81 S Sep 13 2024 Print: 8.810 S Sep 13 2024 MiTek Industries, Inc. Mon Dec 30 12:12:44

Page: 1

ID:a?q6?71yTv6SHVH?OIzqv2z8gqv-jnDvCGFG0vlsyzCJkHlqn0UKNnVmR7_3c0Ny?7y3o9n



Loading	(psf)	Spacing	2-0-0	CSI	DEFL	in	(loc)	l/defl	L/d	PLATES	GRIP	
TCLL	40.0	Plate Grip DOL	1.00	TC	0.08	Vert(LL)	n/a	-	n/a	999	MT20	244/190
TCDL	10.0	Lumber DOL	1.00	BC	0.02	Vert(TL)	n/a	-	n/a	999		
BCLL	0.0	Rep Stress Incr	YES	WB	0.03	Horiz(TL)	0.00	5	n/a	n/a		
BCDL	5.0	Code	IRC2015/TPI2014	Matrix-R							Weight: 18 lb	FT = 20%F, 12%E

LUMBER		BRACING	
TOP CHORD	2x4 SP No.2(flat)	TOP CHORD	Structural wood sheathing directly applied or 3-5-0 oc purlins, except end verticals.
BOT CHORD	2x4 SP No.2(flat)	BOT CHORD	Rigid ceiling directly applied or 10-0-0 oc bracing.
WEBS	2x4 SP No.3(flat)		
OTHERS	2x4 SP No.3(flat)		

REACTIONS All bearings 3-5-0.
(lb) - Max Grav All reactions 250 (lb) or less at joint(s) 5, 6, 7, 8

FORCES (lb) - Max. Comp./Max. Ten. - All forces 250 (lb) or less except when shown.

- NOTES**
- Gable requires continuous bottom chord bearing.
 - Truss to be fully sheathed from one face or securely braced against lateral movement (i.e. diagonal web).
 - Gable studs spaced at 1-4-0 oc.
 - This truss is designed in accordance with the 2015 International Residential Code sections R502.11.1 and R802.10.2 and referenced standard ANSI/TPI 1.
 - Recommend 2x6 strongbacks, on edge, spaced at 10-00-00 oc and fastened to each truss with 3-10d (0.131" X 3") nails. Strongbacks to be attached to walls at their outer ends or restrained by other means.



This design is based upon parameters shown, and is for an individual building component to be installed and loaded vertically. Applicability of design parameters and proper incorporation of component is responsibility of the Building Designer. Building Designer shall verify all design information on this sheet for conformance with conditions and requirements of the specific building and governing codes and ordinances. Building Designer accepts responsibility for the correctness or accuracy of the design information as it may relate to a specific building. Certification is valid only when truss is fabricated by a UFPI plant. Bracing shown is for lateral support of truss members only and does not replace erection and permanent bracing. Refer to Building Component Safety Information (BCSI) for general guidance regarding storage, erection and bracing available from SBCA and Truss Plate Institute.



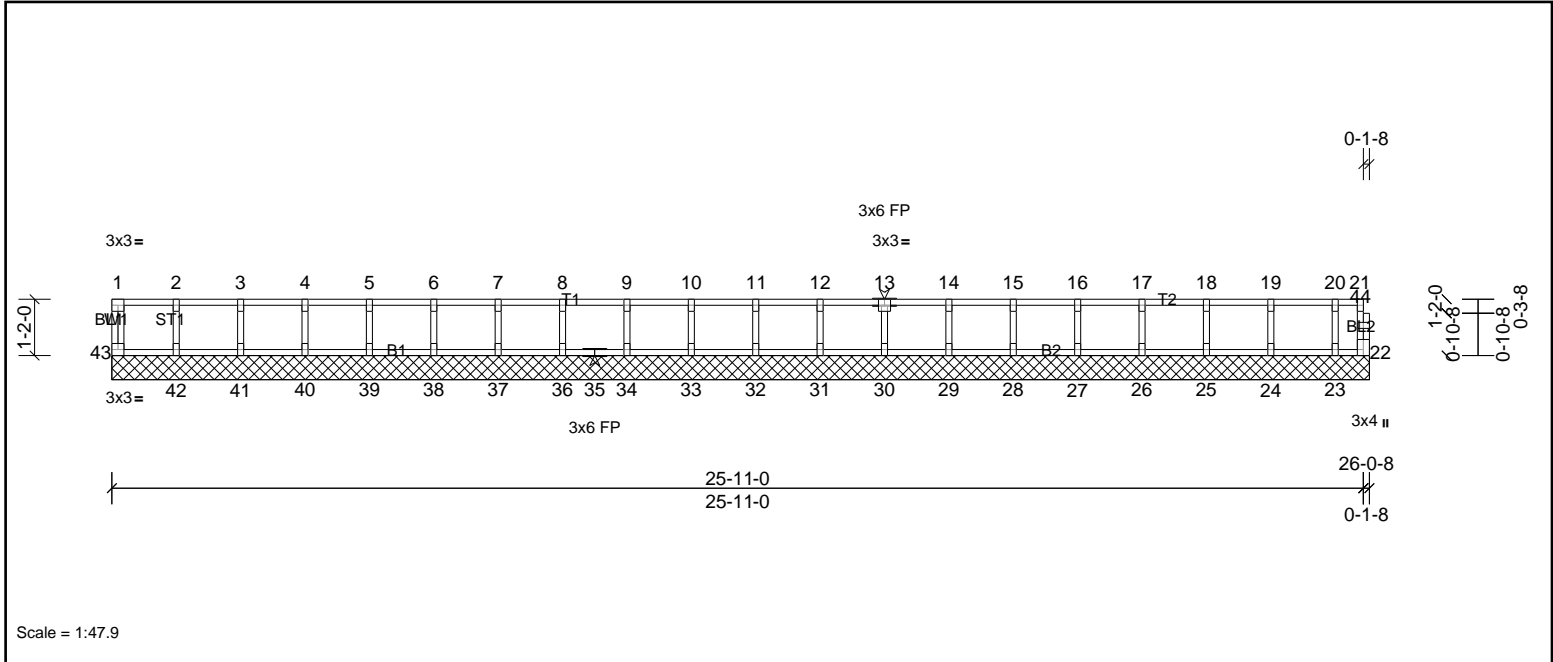
Job 72439475	Truss K204	Truss Type Truss	Qty 1	Ply 1	MUNGO HOMES - TELFAIR 2ND FLR Job Reference (optional)
-----------------	---------------	---------------------	----------	----------	-----------------------------------------------------------

UFP Mid Atlantic LLC, 5631 S. NC 62, Burlington, NC, Joy Perry

Run: 8.81 S Sep 13 2024 Print: 8.810 S Sep 13 2024 MiTek Industries, Inc. Mon Dec 30 12:12:44

Page: 1

ID:a?q6?71yTv6SHVH?OIZqv2z8gqv-jnDvCGFG0vlsyzCJkHlqn0UKMnVqR7_3c0Ny?7y3o9n



Scale = 1:47.9

Loading	(psf)	Spacing	2-0-0	CSI	DEFL	in	(loc)	l/defl	L/d	PLATES	GRIP	
TCLL	40.0	Plate Grip DOL	1.00	TC	0.08	Vert(LL)	n/a	-	n/a	999	MT20	244/190
TCDL	10.0	Lumber DOL	1.00	BC	0.02	Vert(TL)	n/a	-	n/a	999		
BCLL	0.0	Rep Stress Incr	YES	WB	0.03	Horiz(TL)	0.00	22	n/a	n/a		
BCDL	5.0	Code	IRC2015/TPI2014	Matrix-R							Weight: 108 lb	FT = 20%F, 12%E

LUMBER		BRACING	
TOP CHORD	2x4 SP No.2(flat)	TOP CHORD	Structural wood sheathing directly applied or 6-0-0 oc purlins, except end verticals.
BOT CHORD	2x4 SP No.2(flat)	BOT CHORD	Rigid ceiling directly applied or 10-0-0 oc bracing.
WEBS	2x4 SP No.3(flat)		
OTHERS	2x4 SP No.3(flat)		

REACTIONS All bearings 26-0-8.
(lb) - Max Grav All reactions 250 (lb) or less at joint(s) 22, 23, 24, 25, 26, 27, 28, 29, 30, 31, 32, 33, 34, 36, 37, 38, 39, 40, 41, 42, 43

FORCES (lb) - Max. Comp./Max. Ten. - All forces 250 (lb) or less except when shown.

- NOTES**
- All plates are 1.5x3 MT20 unless otherwise indicated.
 - Gable requires continuous bottom chord bearing.
 - Truss to be fully sheathed from one face or securely braced against lateral movement (i.e. diagonal web).
 - Gable studs spaced at 1-4-0 oc.
 - Bearing at joint(s) 22 considers parallel to grain value using ANSI/TPI 1 angle to grain formula. Building designer should verify capacity of bearing surface.
 - This truss is designed in accordance with the 2015 International Residential Code sections R502.11.1 and R802.10.2 and referenced standard ANSI/TPI 1.
 - Recommend 2x6 strongbacks, on edge, spaced at 10-00-00 oc and fastened to each truss with 3-10d (0.131" X 3") nails. Strongbacks to be attached to walls at their outer ends or restrained by other means.



This design is based upon parameters shown, and is for an individual building component to be installed and loaded vertically. Applicability of design parameters and proper incorporation of component is responsibility of the Building Designer. Building Designer shall verify all design information on this sheet for conformance with conditions and requirements of the specific building and governing codes and ordinances. Building Designer accepts responsibility for the correctness or accuracy of the design information as it may relate to a specific building. Certification is valid only when truss is fabricated by a UFPI plant. Bracing shown is for lateral support of truss members only and does not replace erection and permanent bracing. Refer to Building Component Safety Information (BCSI) for general guidance regarding storage, erection and bracing available from SBCA and Truss Plate Institute.



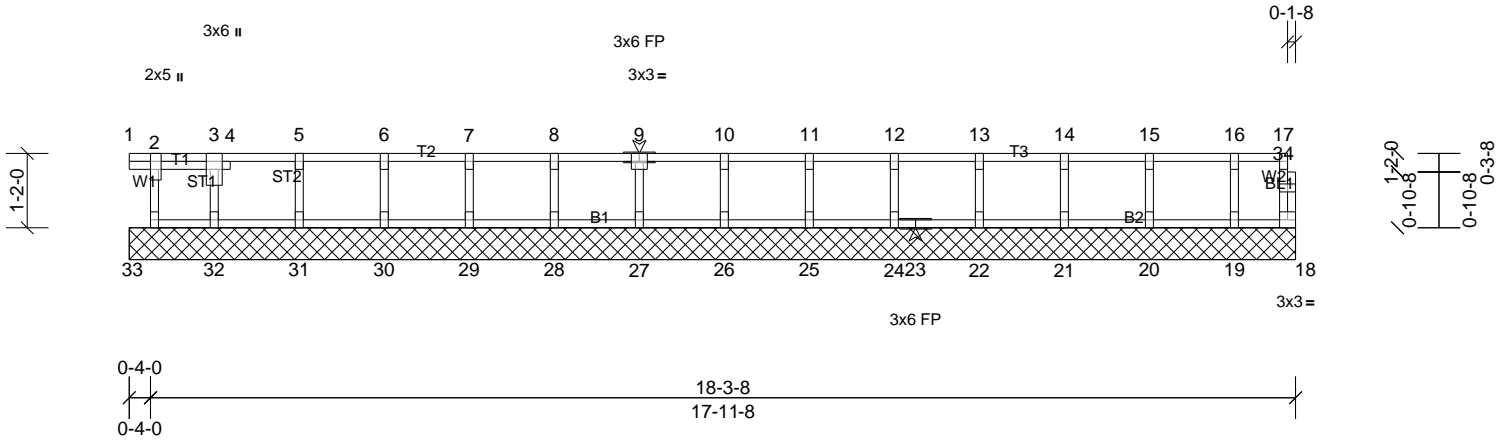
Job 72439475	Truss K205	Truss Type Truss	Qty 1	Ply 1	MUNGO HOMES - TELFAIR 2ND FLR Job Reference (optional)
-----------------	---------------	---------------------	----------	----------	-----------------------------------------------------------

UFP Mid Atlantic LLC, 5631 S. NC 62, Burlington, NC, Joy Perry

Run: 8.81 S Sep 13 2024 Print: 8.810 S Sep 13 2024 MiTek Industries, Inc. Mon Dec 30 12:12:44

Page: 1

ID:a?q6?71yTv6SHVH?OIZqv2z8gqv-jnDvCGFG0vlsyzCJkHlqn0UKNnVxR7_3cONy?7y3o9n



Scale = 1:36.3

Plate Offsets (X, Y): [2:0-3-0,Edge]

Loading	(psf)	Spacing	2-0-0	CSI	DEFL	in	(loc)	l/defl	L/d	PLATES	GRIP
TCLL	40.0	Plate Grip DOL	1.00	TC	Vert(LL)	n/a	-	n/a	999	MT20	244/190
TCDL	10.0	Lumber DOL	1.00	BC	Vert(CT)	n/a	-	n/a	999		
BCLL	0.0	Rep Stress Incr	YES	WB	Horz(CT)	0.00	18	n/a	n/a		
BCDL	5.0	Code	IRC2015/TPI2014	Matrix-R						Weight: 77 lb	FT = 20%F, 12%E

LUMBER	BRACING
TOP CHORD 2x4 SP No.2(flat)	TOP CHORD Structural wood sheathing directly applied or 6-0-0 oc purlins, except end verticals.
BOT CHORD 2x4 SP No.2(flat)	BOT CHORD Rigid ceiling directly applied or 10-0-0 oc bracing.
WEBS 2x4 SP No.3(flat)	
OTHERS 2x4 SP No.3(flat)	

REACTIONS All bearings 18-3-8.
(lb) - Max Grav All reactions 250 (lb) or less at joint(s) 18, 19, 20, 21, 22, 24, 25, 26, 27, 28, 29, 30, 31, 32, 33

FORCES (lb) - Max. Comp./Max. Ten. - All forces 250 (lb) or less except when shown.

- NOTES**
- All plates are 1.5x3 MT20 unless otherwise indicated.
 - Gable requires continuous bottom chord bearing.
 - Truss to be fully sheathed from one face or securely braced against lateral movement (i.e. diagonal web).
 - Gable studs spaced at 1-4-0 oc.
 - This truss is designed in accordance with the 2015 International Residential Code sections R502.11.1 and R802.10.2 and referenced standard ANSI/TPI 1.
 - Recommend 2x6 strongbacks, on edge, spaced at 10-00-00 oc and fastened to each truss with 3-10d (0.131" X 3") nails. Strongbacks to be attached to walls at their outer ends or restrained by other means.
 - CAUTION, Do not erect truss backwards.



This design is based upon parameters shown, and is for an individual building component to be installed and loaded vertically. Applicability of design parameters and proper incorporation of component is responsibility of the Building Designer. Building Designer shall verify all design information on this sheet for conformance with conditions and requirements of the specific building and governing codes and ordinances. Building Designer accepts responsibility for the correctness or accuracy of the design information as it may relate to a specific building. Certification is valid only when truss is fabricated by a UFPI plant. Bracing shown is for lateral support of truss members only and does not replace erection and permanent bracing. Refer to Building Component Safety Information (BCSI) for general guidance regarding storage, erection and bracing available from SBCA and Truss Plate Institute.

