

Job 72436651	Truss A1G	Truss Type Truss	Qty 1	Ply 1	MUNGO HOMES-RUSSELL C ROOF Job Reference (optional)
-----------------	--------------	---------------------	----------	----------	--

UFP Mid Atlantic LLC, 5631 S. NC 62, Burlington, NC, Joy Perry

Run: 8.81 S Sep 13 2024 Print: 8.810 S Sep 13 2024 MiTek Industries, Inc. Fri Nov 22 14:09:52

Page: 1

ID:5n?jT3lr4DexPAU7Qf7093yBNTJ-BzyasuMGhF_nCaNgdMT?QLOUYA81QaXk8u0YwTyGd6

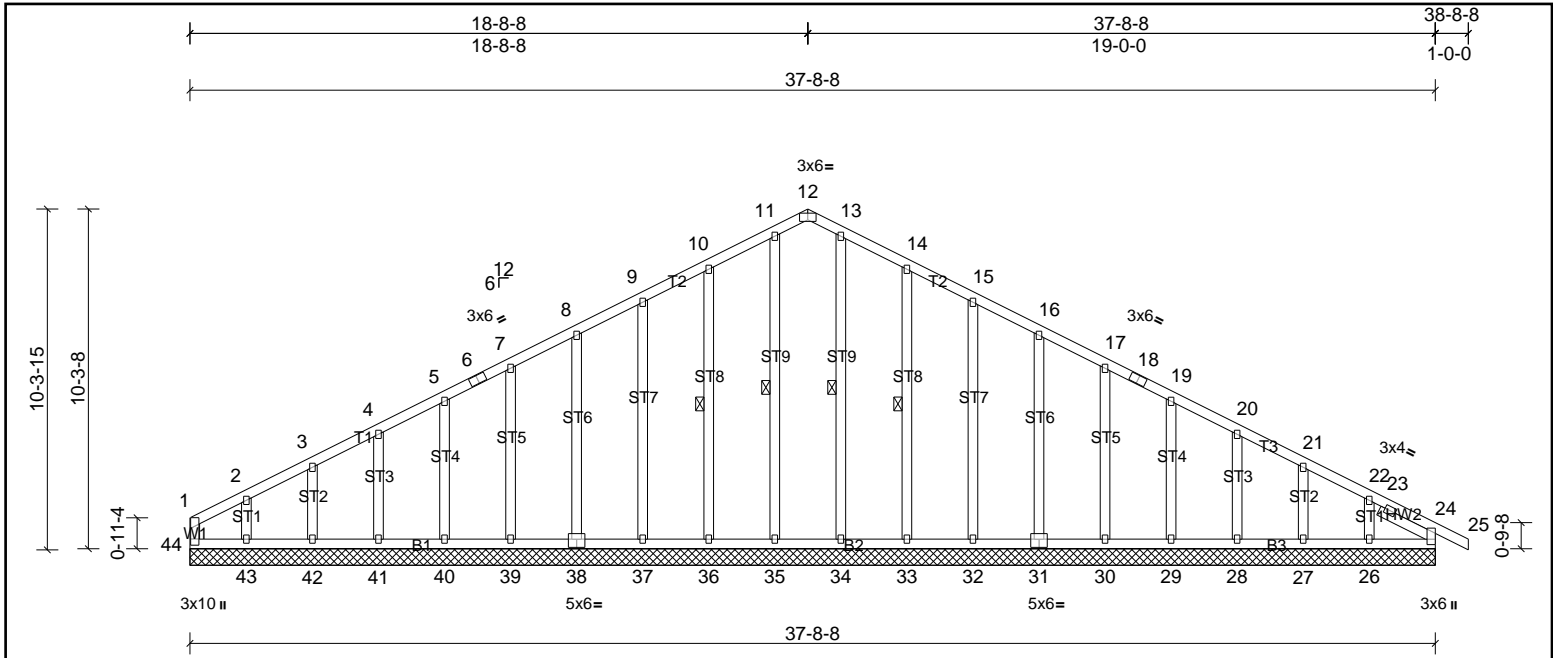


Plate Offsets (X, Y): [12:0-3-0,Edge], [31:0-3-0,0-3-0], [38:0-3-0,0-3-0]

Loading	(psf)	Spacing	2-0-0	CSI	DEFL	in	(loc)	l/defl	L/d	PLATES	GRIP	
TCLL (roof)	20.0	Plate Grip DOL	1.15	TC	0.17	Vert(LL)	n/a	-	n/a	999	MT20	244/190
TCDL	10.0	Lumber DOL	1.15	BC	0.10	Vert(CT)	n/a	-	n/a	999		
BCLL	0.0*	Rep Stress Incr	YES	WB	0.13	Horz(CT)	0.01	24	n/a	n/a		
BCDL	10.0	Code	IRC2015/TPI2014	Matrix-MSH							Weight: 265 lb	FT = 20%

LUMBER	BRACING
TOP CHORD 2x4 SP No.2	TOP CHORD Structural wood sheathing directly applied or 6-0-0 oc purlins, except end verticals.
BOT CHORD 2x4 SP No.2	BOT CHORD Rigid ceiling directly applied or 10-0-0 oc bracing.
WEBS 2x4 SP No.3	WEBS 1 Row at midpt
OTHERS 2x4 SP No.3	
SLIDER Right 2x4 SP No.3 -- 1-11-0	

REACTIONS
All bearings 37-8-8.
(lb) - Max Horiz 44=180 (LC 15)
Max Uplift All uplift 100 (lb) or less at joint(s) 24, 27, 28, 29, 30, 31, 32, 33, 36, 37, 38, 39, 40, 41, 42, 44, 45 except 26=113 (LC 11), 43=160 (LC 10)
Max Grav All reactions 250 (lb) or less at joint(s) 24, 26, 27, 28, 29, 30, 31, 32, 33, 34, 35, 36, 37, 38, 39, 40, 41, 42, 43, 44, 45

FORCES
(lb) - Max. Comp./Max. Ten. - All forces 250 (lb) or less except when shown.
TOP CHORD 10-11=117/301, 11-12=106/266, 12-13=106/266, 13-14=117/301

- NOTES**
- Unbalanced roof live loads have been considered for this design.
 - Wind: ASCE 7-10; Vult=130mph (3-second gust) Vasd=103mph; TCCL=6.0psf; BCDL=6.0psf; h=35ft; Cat. II; Exp B; Enclosed; MWFRS (envelope) exterior zone and C-C Exterior (2) zone; cantilever left and right exposed; end vertical left and right exposed; C-C for members and forces & MWFRS for reactions shown; Lumber DOL=1.60 plate grip DOL=1.60
 - Truss designed for wind loads in the plane of the truss only.
 - All plates are 2x3 MT20 unless otherwise indicated.
 - Gable requires continuous bottom chord bearing.
 - Gable studs spaced at 2-0-0 oc.
 - This truss has been designed for a 10.0 psf bottom chord live load nonconcurrent with any other live loads.
 - * This truss has been designed for a live load of 20.0psf on the bottom chord in all areas where a rectangle 3-06-00 tall by 2-00-00 wide will fit between the bottom chord and any other members.
 - Provide mechanical connection (by others) of truss to bearing plate capable of withstanding 100 lb uplift at joint(s) 44, 24, 36, 37, 38, 39, 40, 41, 42, 33, 32, 31, 30, 29, 28, 27, 24 except (jt=lb) 43=160, 26=112.
 - This truss is designed in accordance with the 2015 International Residential Code sections R502.11.1 and R802.10.2 and referenced standard ANSI/TPI 1.



This design is based upon parameters shown, and is for an individual building component to be installed and loaded vertically. Applicability of design parameters and proper incorporation of component is responsibility of the Building Designer. Building Designer shall verify all design information on this sheet for conformance with conditions and requirements of the specific building and governing codes and ordinances. Building Designer accepts responsibility for the correctness or accuracy of the design information as it may relate to a specific building. Certification is valid only when truss is fabricated by a UFPI plant. Bracing shown is for lateral support of truss members only and does not replace erection and permanent bracing. Refer to Building Component Safety Information (BCSI) for general guidance regarding storage, erection and bracing available from SBCA and Truss Plate Institute.



Job 72436651	Truss A2	Truss Type Truss	Qty 4	Ply 1	MUNGO HOMES-RUSSELL C ROOF Job Reference (optional)
-----------------	-------------	---------------------	----------	----------	--

UFP Mid Atlantic LLC, 5631 S. NC 62, Burlington, NC, Joy Perry

Run: 8.81 S Sep 13 2024 Print: 8.810 S Sep 13 2024 MiTek Industries, Inc. Fri Nov 22 14:09:52

Page: 1

ID: ?jIjNgo1eEMz0ZUCmmdKLC3yDymH-f9Wy3EMuSY6ejjytB4_EzYwT5aJw9wgtMYm5SvyGd5z

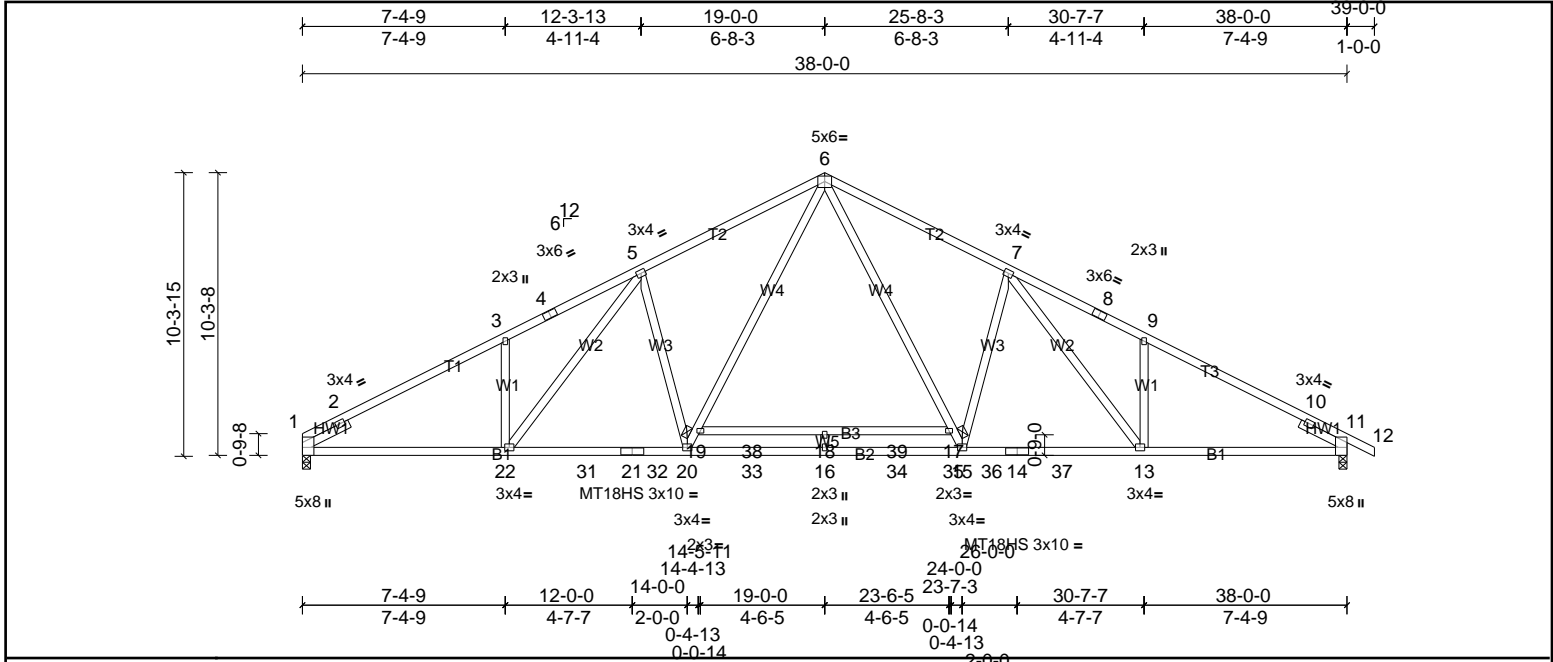


Plate Offsets (X, Y): [5:0-0-0,0-0-0]

Loading	(psf)	Spacing	2-0-0	CSI	DEFL	in	(loc)	l/defl	L/d	PLATES	GRIP	
TCLL (roof)	20.0	Plate Grip DOL	1.15	TC	0.95	Vert(LL)	-0.47	18	>972	240	MT20	244/190
TCDL	10.0	Lumber DOL	1.15	BC	0.83	Vert(CT)	-0.87	18	>524	180	MT18HS	244/190
BCLL	0.0*	Rep Stress Incr	NO	WB	0.59	Horz(CT)	0.14	11	n/a	n/a		
BCDL	10.0	Code	IRC2015/TPI2014	Matrix-MSH							Weight: 229 lb	FT = 20%

LUMBER
TOP CHORD 2x4 SP SS
BOT CHORD 2x4 SP SS *Except* B3:2x4 SP No.2
WEBS 2x4 SP No.3
SLIDER Left 2x4 SP No.3 -- 1-11-0, Right 2x4 SP No.3 -- 1-11-0

BRACING
TOP CHORD Structural wood sheathing directly applied.
BOT CHORD Rigid ceiling directly applied or 10-0-0 oc bracing, Except: 6-0-0 oc bracing: 18-19,17-18.

REACTIONS
(lb/size) 1=1613/0-3-8, (min. 0-1-15), 11=1675/0-3-8, (min. 0-2-0)
Max Horiz 1=183 (LC 11)
Max Uplift 1=149 (LC 10), 11=172 (LC 11)
Max Grav 1=1658 (LC 2), 11=1710 (LC 2)

FORCES
(lb) - Max. Comp./Max. Ten. - All forces 250 (lb) or less except when shown.
TOP CHORD 1-2=-737/0, 2-3=-2835/575, 3-4=-2763/685, 4-5=-2675/709, 5-6=-2552/621, 6-7=-2552/620, 7-8=-2668/703, 8-9=-2757/680, 9-10=-2830/571, 10-11=-478/0
BOT CHORD 1-22=-369/2449, 22-31=-237/2314, 21-31=-237/2314, 21-32=-237/2314, 20-32=-237/2314, 20-33=-66/1837, 16-33=-66/1837, 16-34=-66/1837, 34-35=-66/1837, 15-35=-66/1837, 15-36=-236/2313, 14-36=-236/2313, 14-37=-236/2313, 13-37=-236/2313, 11-13=-365/2444
WEBS 3-22=-252/240, 19-20=-223/937, 6-19=-186/1081, 7-15=-546/344, 5-20=-549/346, 5-22=-222/390, 6-17=-185/1079, 15-17=-222/935, 7-13=-216/381

- NOTES**
- Unbalanced roof live loads have been considered for this design.
 - Wind: ASCE 7-10; Vult=130mph (3-second gust) Vasd=103mph; TCCL=6.0psf; BCCL=6.0psf; h=35ft; Cat. II; Exp B; Enclosed; MWFRS (envelope) exterior zone and C-C Exterior (2) zone; cantilever left and right exposed; end vertical left and right exposed; C-C for members and forces & MWFRS for reactions shown; Lumber DOL=1.60 plate grip DOL=1.60
 - All plates are MT20 plates unless otherwise indicated.
 - All plates are 3x4 MT20 unless otherwise indicated.
 - This truss has been designed for a 10.0 psf bottom chord live load nonconcurrent with any other live loads.
 - * This truss has been designed for a live load of 20.0psf on the bottom chord in all areas where a rectangle 3-06-00 tall by 2-00-00 wide will fit between the bottom chord and any other members, with BCCL = 10.0psf.
 - Provide mechanical connection (by others) of truss to bearing plate capable of withstanding 149 lb uplift at joint 1 and 172 lb uplift at joint 11.
 - This truss is designed in accordance with the 2015 International Residential Code sections R502.11.1 and R802.10.2 and referenced standard ANSII/TPI 1.



This design is based upon parameters shown, and is for an individual building component to be installed and loaded vertically. Applicability of design parameters and proper incorporation of component is responsibility of the Building Designer. Building Designer shall verify all design information on this sheet for conformance with conditions and requirements of the specific building and governing codes and ordinances. Building Designer accepts responsibility for the correctness or accuracy of the design information as it may relate to a specific building. Certification is valid only when truss is fabricated by a UFPI plant. Bracing shown is for lateral support of truss members only and does not replace erection and permanent bracing. Refer to Building Component Safety Information (BCSI) for general guidance regarding storage, erection and bracing available from SBCE and Truss Plate Institute.



Job 72436651	Truss A3	Truss Type Truss	Qty 6	Ply 1	MUNGO HOMES-RUSSELL C ROOF Job Reference (optional)
-----------------	-------------	---------------------	----------	----------	--

UFP Mid Atlantic LLC, 5631 S. NC 62, Burlington, NC, Joy Perry

Run: 8.81 S Sep 13 2024 S Sep 13 2024 MiTek Industries, Inc. Fri Nov 22 14:09:53

Page: 1

ID: ?jINgo1eEMz0ZUCmmDKLc3yDymH-f9Wy3EMuSY6eqjytB4_EzYwXCall9wVtMYm5SvyGd5z

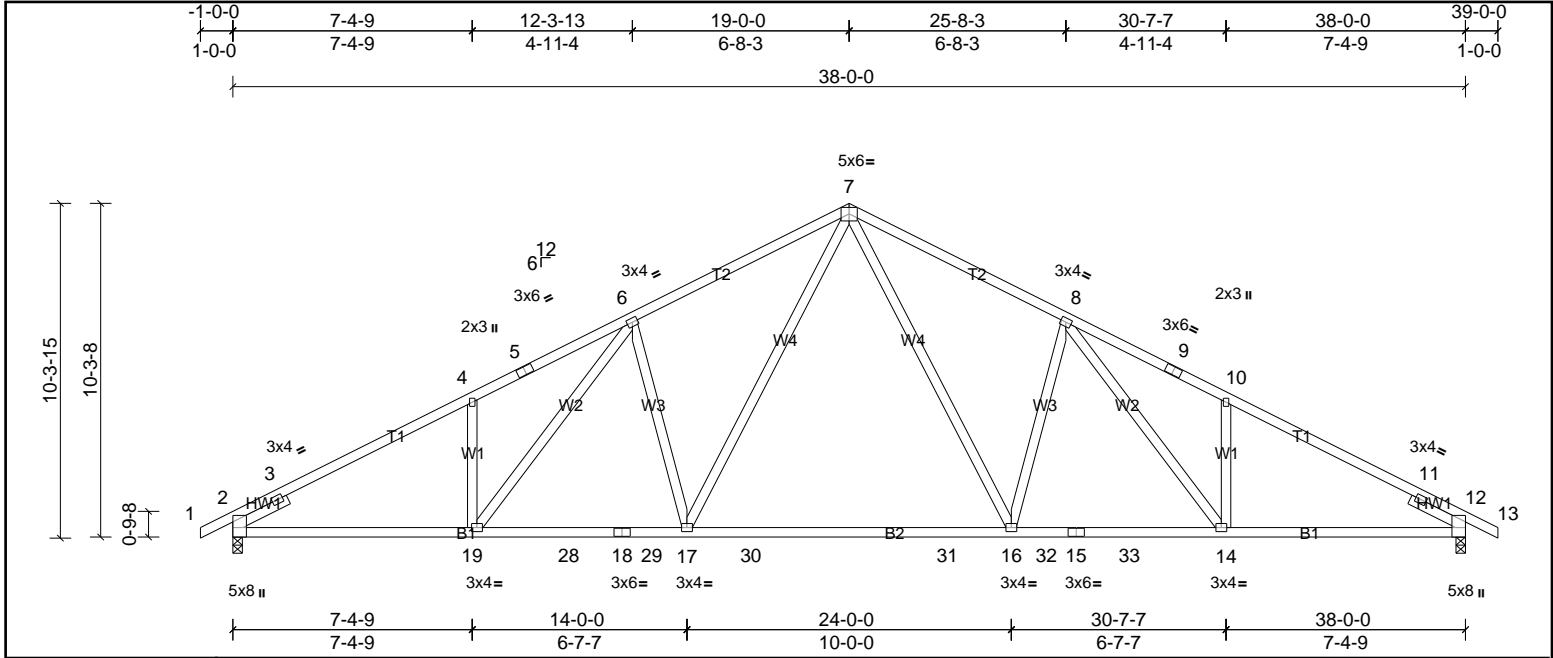


Plate Offsets (X, Y): [8:0-0-0,0-0-0], [10:0-0-0,Edge], [12:0-0-0,0-0-0]

Loading	(psf)	Spacing	2-0-0	CSI	DEFL	in	(loc)	l/defl	L/d	PLATES	GRIP	
TCLL (roof)	20.0	Plate Grip DOL	1.15	TC	0.69	Vert(LL)	-0.37	16-17	>999	240	MT20	244/190
TCDL	10.0	Lumber DOL	1.15	BC	0.84	Vert(CT)	-0.67	16-17	>682	180		
BCLL	0.0*	Rep Stress Incr	YES	WB	0.60	Horz(CT)	0.13	12	n/a	n/a		
BCDL	10.0	Code	IRC2015/TPI2014	Matrix-MSH							Weight: 216 lb	FT = 20%

LUMBER	BRACING
TOP CHORD 2x4 SP SS	TOP CHORD Structural wood sheathing directly applied or 2-10-15 oc purlins.
BOT CHORD 2x4 SP No.1	BOT CHORD Rigid ceiling directly applied or 9-3-4 oc bracing.
WEBS 2x4 SP No.3	
SLIDER Left 2x4 SP No.3 -- 1-11-0, Right 2x4 SP No.3 -- 1-11-0	
REACTIONS (lb/size) 2=1580/0-3-8, (min. 0-1-14), 12=1580/0-3-8, (min. 0-1-14)	
Max Horiz 2=174 (LC 10)	
Max Uplift 2=228 (LC 10), 12=228 (LC 11)	
FORCES (lb) - Max. Comp./Max. Ten. - All forces 250 (lb) or less except when shown.	
TOP CHORD 2-3=-620/0, 3-4=-2524/677, 4-5=-2463/783, 5-6=-2368/807, 6-7=-2197/741, 7-8=-2197/741, 8-9=-2368/807, 9-10=-2463/783, 10-11=-2524/677, 11-12=-535/0	
BOT CHORD 2-19=-458/2174, 19-28=-342/2003, 18-28=-342/2003, 18-29=-342/2003, 17-29=-342/2003, 17-30=-150/1498, 30-31=-150/1498, 16-31=-150/1498, 16-32=-342/2003, 15-32=-342/2003, 15-33=-342/2003, 14-33=-342/2003, 12-14=-458/2174	
WEBS 4-19=-255/231, 6-19=-194/419, 6-17=-562/336, 7-17=-246/901, 7-16=-246/901, 8-16=-562/336, 8-14=-194/419, 10-14=-255/231	

- NOTES**
- Unbalanced roof live loads have been considered for this design.
 - Wind: ASCE 7-10; Vult=130mph (3-second gust) Vasd=103mph; TCCL=6.0psf; BCCL=6.0psf; h=35ft; Cat. II; Exp B; Enclosed; MWFRS (envelope) exterior zone and C-C Exterior (2) zone; cantilever left and right exposed; end vertical left and right exposed; C-C for members and forces & MWFRS for reactions shown; Lumber DOL=1.60 plate grip DOL=1.60
 - All plates are 3x4 MT20 unless otherwise indicated.
 - This truss has been designed for a 10.0 psf bottom chord live load nonconcurrent with any other live loads.
 - * This truss has been designed for a live load of 20.0psf on the bottom chord in all areas where a rectangle 3-06-00 tall by 2-00-00 wide will fit between the bottom chord and any other members, with BCCL = 10.0psf.
 - Provide mechanical connection (by others) of truss to bearing plate capable of withstanding 228 lb uplift at joint 2 and 228 lb uplift at joint 12.
 - This truss is designed in accordance with the 2015 International Residential Code sections R502.11.1 and R802.10.2 and referenced standard ANSI/TPI 1.



This design is based upon parameters shown, and is for an individual building component to be installed and loaded vertically. Applicability of design parameters and proper incorporation of component is responsibility of the Building Designer. Building Designer shall verify all design information on this sheet for conformance with conditions and requirements of the specific building and governing codes and ordinances. Building Designer accepts responsibility for the correctness or accuracy of the design information as it may relate to a specific building. Certification is valid only when truss is fabricated by a UFPI plant. Bracing shown is for lateral support of truss members only and does not replace erection and permanent bracing. Refer to Building Component Safety Information (BCSI) for general guidance regarding storage, erection and bracing available from SBCA and Truss Plate Institute.



Job 72436651	Truss C1G	Truss Type Truss	Qty 1	Ply 1	MUNGO HOMES-RUSSELL C ROOF Job Reference (optional)
-----------------	--------------	---------------------	----------	----------	--

UFP Mid Atlantic LLC, 5631 S. NC 62, Burlington, NC, Joy Perry

Run: 8.81 S Sep 13 2024 S Sep 13 2024 Print: 8.810 S Sep 13 2024 MiTek Industries, Inc. Fri Nov 22 14:09:53

Page: 1

ID:dYQnn9ZmzV805OPvoVFD4_zFIOK-7L4LHaNXDsEVStX3lnVTmTqn_qNuUT1bCVf_LyGd5y

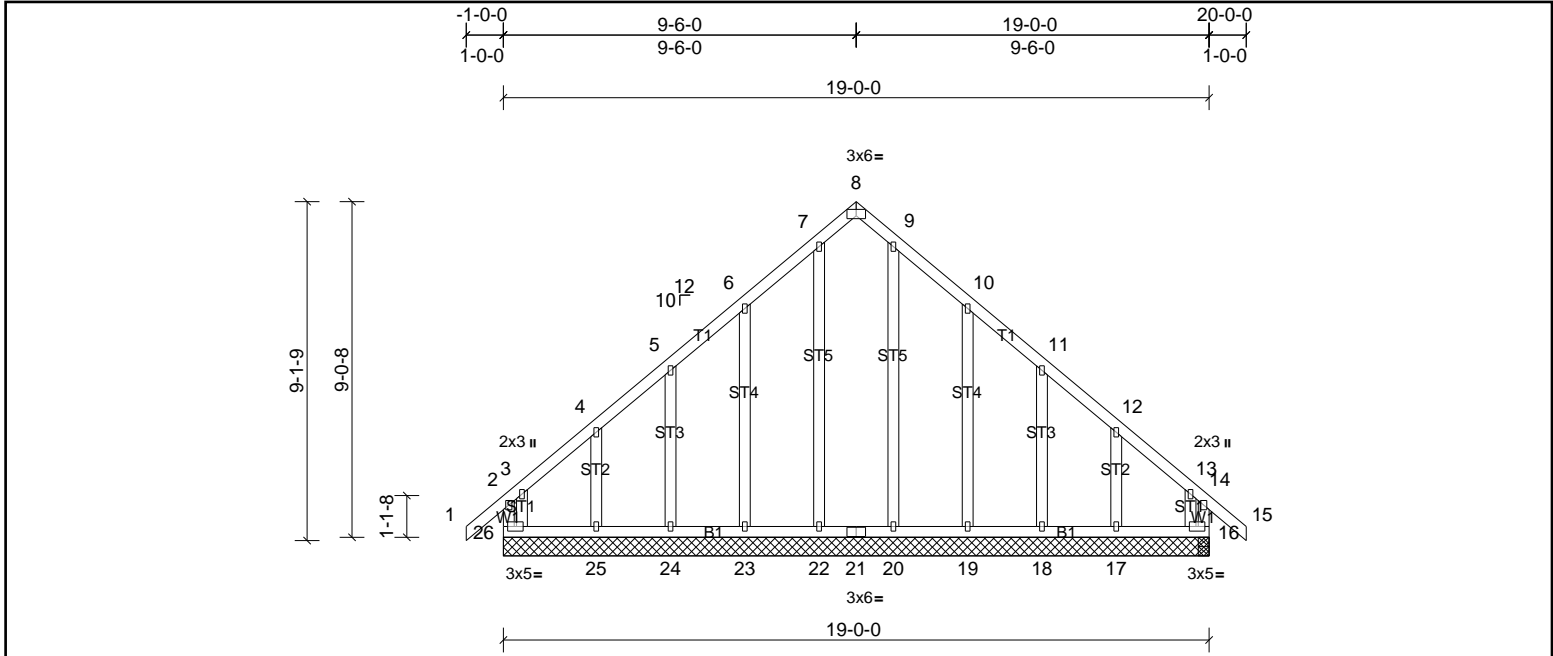


Plate Offsets (X, Y): [8:0-3-0,Edge]

Loading	(psf)	Spacing	2-0-0	CSI	DEFLL	in	(loc)	l/defl	L/d	PLATES	GRIP	
TCLL (roof)	20.0	Plate Grip DOL	1.15	TC	0.19	Vert(LL)	0.00	25-26	>999	240	MT20	244/190
TCDL	10.0	Lumber DOL	1.15	BC	0.11	Vert(CT)	0.00	25-26	>999	180		
BCLL	0.0*	Rep Stress Incr	YES	WB	0.17	Horz(CT)	0.00	16	n/a	n/a		
BCDL	10.0	Code	IRC2015/TPI2014	Matrix-MR							Weight: 136 lb	FT = 20%

LUMBER		BRACING	
TOP CHORD	2x4 SP No.2	TOP CHORD	Structural wood sheathing directly applied or 6-0-0 oc purlins, except end verticals.
BOT CHORD	2x4 SP No.2	BOT CHORD	Rigid ceiling directly applied or 10-0-0 oc bracing.
WEBS	2x4 SP No.3		
OTHERS	2x4 SP No.3		

REACTIONS	
All bearings	19-0-0.
(lb) - Max Horiz	26=-261 (LC 8)
Max Uplift	All uplift 100 (lb) or less at joint(s) 16, 18, 24, 26 except 17=-200 (LC 11), 19=-137 (LC 11), 23=-135 (LC 10), 25=-205 (LC 10)
Max Grav	All reactions 250 (lb) or less at joint(s) 16, 17, 18, 19, 20, 22, 23, 24, 26 except 25=253 (LC 17)

FORCES	
(lb) - Max. Comp./Max. Ten.	- All forces 250 (lb) or less except when shown.

WEBS	
	3-26=-286/219, 13-16=-270/185

- NOTES**
- Unbalanced roof live loads have been considered for this design.
 - Wind: ASCE 7-10; Vult=130mph (3-second gust) Vasd=103mph; TCDL=6.0psf; BCDL=6.0psf; h=35ft; Cat. II; Exp B; Enclosed; MWFRS (envelope) exterior zone and C-C Exterior (2) zone; cantilever left and right exposed; end vertical left and right exposed; C-C for members and forces & MWFRS for reactions shown; Lumber DOL=1.60 plate grip DOL=1.60
 - Truss designed for wind loads in the plane of the truss only.
 - All plates are 1.5x3 MT20 unless otherwise indicated.
 - Truss to be fully sheathed from one face or securely braced against lateral movement (i.e. diagonal web).
 - Gable studs spaced at 2-0-0 oc.
 - This truss has been designed for a 10.0 psf bottom chord live load nonconcurrent with any other live loads.
 - * This truss has been designed for a live load of 20.0psf on the bottom chord in all areas where a rectangle 3-06-00 tall by 2-00-00 wide will fit between the bottom chord and any other members.
 - Provide mechanical connection (by others) of truss to bearing plate capable of withstanding 100 lb uplift at joint(s) 26, 16, 24, 18 except (jt=lb) 23=135, 25=205, 19=136, 17=199.
 - This truss is designed in accordance with the 2015 International Residential Code sections R502.11.1 and R802.10.2 and referenced standard ANSI/TPI 1.



This design is based upon parameters shown, and is for an individual building component to be installed and loaded vertically. Applicability of design parameters and proper incorporation of component is responsibility of the Building Designer. Building Designer shall verify all design information on this sheet for conformance with conditions and requirements of the specific building and governing codes and ordinances. Building Designer accepts responsibility for the correctness or accuracy of the design information as it may relate to a specific building. Certification is valid only when truss is fabricated by a UFPI plant. Bracing shown is for lateral support of truss members only and does not replace erection and permanent bracing. Refer to Building Component Safety Information (BCSI) for general guidance regarding storage, erection and bracing available from SBCA and Truss Plate Institute.



Job 72436651	Truss C2	Truss Type Truss	Qty 1	Ply 2	MUNGO HOMES-RUSSELL C ROOF Job Reference (optional)
-----------------	-------------	---------------------	----------	----------	--

UFP Mid Atlantic LLC, 5631 S. NC 62, Burlington, NC, Joy Perry

Run: 8.81 S Sep 13 2024 Print: 8.810 S Sep 13 2024 MiTek Industries, Inc. Fri Nov 22 14:09:53

Page: 2

ID:fixws7hC9DpqsjZPLBm5akyGgva-7L4LHaNXDsEVStX3lnVTVmTdO_cfuHT1bCVf_LyGd5y

Vert: 12=-1582 (B), 31=-1583 (B), 32=-1577 (B), 33=-1577 (B), 34=-1577 (B), 35=-1577 (B), 36=-1577 (B), 37=-1577 (B), 38=-1577 (B)



This design is based upon parameters shown, and is for an individual building component to be installed and loaded vertically. Applicability of design parameters and proper incorporation of component is responsibility of the Building Designer. Building Designer shall verify all design information on this sheet for conformance with conditions and requirements of the specific building and governing codes and ordinances. Building Designer accepts responsibility for the correctness or accuracy of the design information as it may relate to a specific building. Certification is valid only when truss is fabricated by a UFPI plant. Bracing shown is for lateral support of truss members only and does not replace erection and permanent bracing. Refer to Building Component Safety Information (BCSI) for general guidance regarding storage, erection and bracing available from SBCA and Truss Plate Institute.



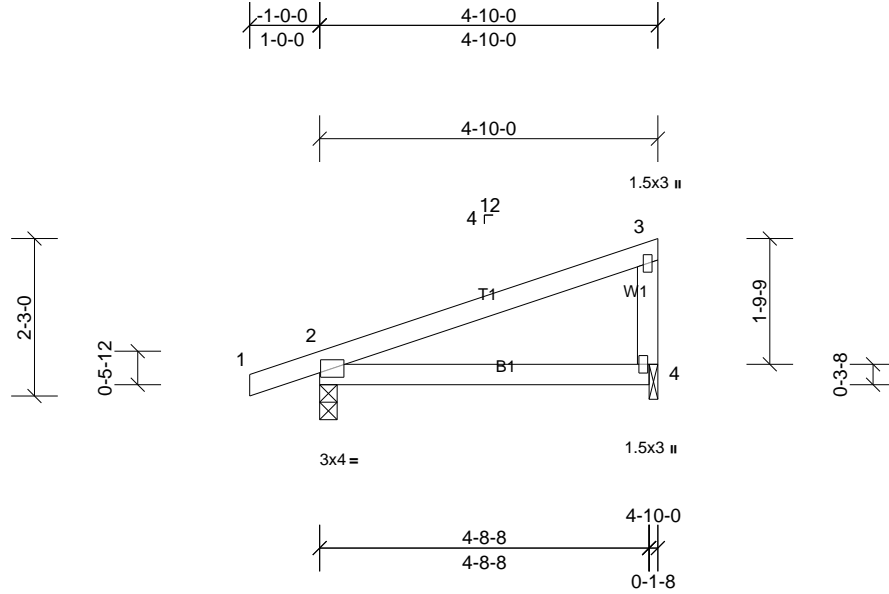
Job 72436651	Truss P1	Truss Type Truss	Qty 10	Ply 1	MUNGO HOMES-RUSSELL C ROOF Job Reference (optional)
-----------------	-------------	---------------------	-----------	----------	--

UFP Mid Atlantic LLC, 5631 S. NC 62, Burlington, NC, Joy Perry

Run: 8.81 S Sep 13 2024 Print: 8.810 S Sep 13 2024 MiTek Industries, Inc. Fri Nov 22 14:09:54

Page: 1

ID: ?U0N4ptClVKm7v4p2qiEsTzFILK-bYejUvO9_AMM416FJV0i2z?zVO8XdzJAqsFCWoyGd5x



Loading	(psf)	Spacing	2-0-0	CSI	DEFL	in	(loc)	l/defl	L/d	PLATES	GRIP	
TCLL (roof)	20.0	Plate Grip DOL	1.15	TC	0.32	Vert(LL)	0.06	4-7	>961	240	MT20	244/190
TCDL	10.0	Lumber DOL	1.15	BC	0.24	Vert(CT)	-0.05	4-7	>999	180		
BCLL	0.0*	Rep Stress Incr	YES	WB	0.00	Horz(CT)	-0.01	2	n/a	n/a		
BCDL	10.0	Code	IRC2015/TPI2014	Matrix-MP							Weight: 19 lb	FT = 20%

LUMBER		BRACING	
TOP CHORD	2x4 SP No.2	TOP CHORD	Structural wood sheathing directly applied or 4-10-0 oc purlins, except end verticals.
BOT CHORD	2x4 SP No.2	BOT CHORD	Rigid ceiling directly applied or 10-0-0 oc bracing.
WEBS	2x4 SP No.3		

REACTIONS	(lb/size)	2=254/0-3-0, (min. 0-1-8), 4=181/0-1-8, (min. 0-1-8)
Max Horiz	2=81 (LC 9)	
Max Uplift	2=124 (LC 6), 4=85 (LC 6)	

FORCES (lb) - Max. Comp./Max. Ten. - All forces 250 (lb) or less except when shown.

- NOTES**
- Unbalanced roof live loads have been considered for this design.
 - Wind: ASCE 7-10; Vult=130mph (3-second gust) Vasd=103mph; TCDL=6.0psf; BCDL=6.0psf; h=35ft; Cat. II; Exp B; Enclosed; MWFRS (envelope) exterior zone and C-C Exterior (2) zone; cantilever left and right exposed; end vertical left and right exposed; porch left and right exposed; C-C for members and forces & MWFRS for reactions shown; Lumber DOL=1.60 plate grip DOL=1.60
 - This truss has been designed for a 10.0 psf bottom chord live load nonconcurrent with any other live loads.
 - * This truss has been designed for a live load of 20.0psf on the bottom chord in all areas where a rectangle 3-06-00 tall by 2-00-00 wide will fit between the bottom chord and any other members.
 - Bearing at joint(s) 4 considers parallel to grain value using ANSI/TPI 1 angle to grain formula. Building designer should verify capacity of bearing surface.
 - Provide mechanical connection (by others) of truss to bearing plate at joint(s) 4.
 - Provide mechanical connection (by others) of truss to bearing plate capable of withstanding 124 lb uplift at joint 2 and 85 lb uplift at joint 4.
 - This truss is designed in accordance with the 2015 International Residential Code sections R502.11.1 and R802.10.2 and referenced standard ANSI/TPI 1.



This design is based upon parameters shown, and is for an individual building component to be installed and loaded vertically. Applicability of design parameters and proper incorporation of component is responsibility of the Building Designer. Building Designer shall verify all design information on this sheet for conformance with conditions and requirements of the specific building and governing codes and ordinances. Building Designer accepts responsibility for the correctness or accuracy of the design information as it may relate to a specific building. Certification is valid only when truss is fabricated by a UFPI plant. Bracing shown is for lateral support of truss members only and does not replace erection and permanent bracing. Refer to Building Component Safety Information (BCSI) for general guidance regarding storage, erection and bracing available from SBCA and Truss Plate Institute.



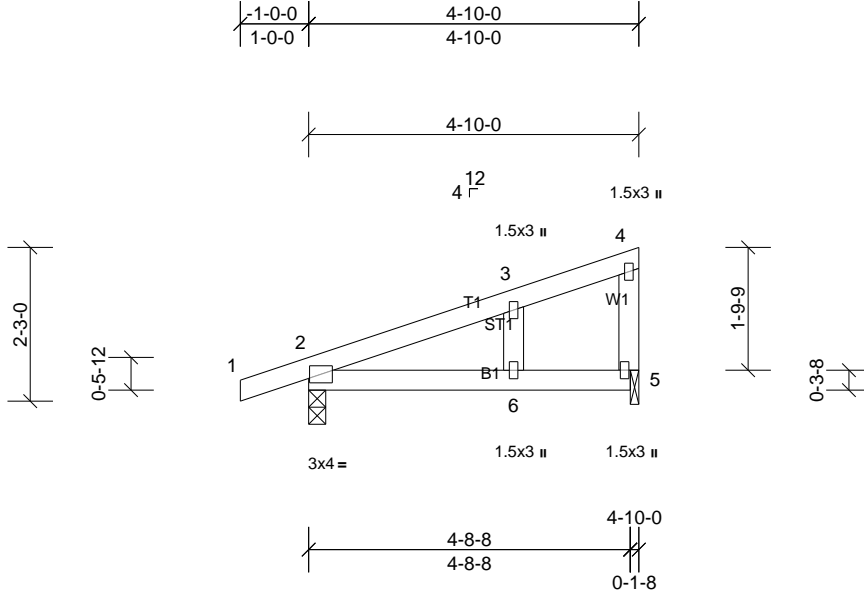
Job 72436651	Truss P1G	Truss Type Truss	Qty 1	Ply 1	MUNGO HOMES-RUSSELL C ROOF Job Reference (optional)
-----------------	--------------	---------------------	----------	----------	--

UFP Mid Atlantic LLC, 5631 S. NC 62, Burlington, NC, Joy Perry

Run: 8.81 S Sep 13 2024 Print: 8.810 S Sep 13 2024 MiTek Industries, Inc. Fri Nov 22 14:09:54

Page: 1

ID:M_t6G9MgZUFEJuZlqWvOxhzFIKj-bYejUvO9_AMM416FJV0i2z?_iO7Ddz3AqsFCWoyGd5x



Loading	(psf)	Spacing	2-0-0	CSI	DEFL	in	(loc)	l/defl	L/d	PLATES	GRIP	
TCLL (roof)	20.0	Plate Grip DOL	1.15	TC	0.24	Vert(LL)	0.06	6-9	>926	240	MT20	244/190
TCDL	10.0	Lumber DOL	1.15	BC	0.26	Vert(CT)	-0.05	6-9	>999	180		
BCLL	0.0*	Rep Stress Incr	YES	WB	0.02	Horz(CT)	-0.01	2	n/a	n/a		
BCDL	10.0	Code	IRC2015/TPI2014	Matrix-MP							Weight: 20 lb	FT = 20%

LUMBER
 TOP CHORD 2x4 SP No.2
 BOT CHORD 2x4 SP No.2
 WEBS 2x4 SP No.3
 OTHERS 2x4 SP No.3

BRACING
 TOP CHORD Structural wood sheathing directly applied or 4-10-0 oc purlins, except end verticals.
 BOT CHORD Rigid ceiling directly applied or 10-0-0 oc bracing.

REACTIONS (lb/size) 2=254/0-3-0, (min. 0-1-8), 5=181/0-1-8, (min. 0-1-8)
 Max Horiz 2=81 (LC 9)
 Max Uplift 2=-124 (LC 6), 5=85 (LC 6)

FORCES (lb) - Max. Comp./Max. Ten. - All forces 250 (lb) or less except when shown.

- NOTES**
- Unbalanced roof live loads have been considered for this design.
 - Wind: ASCE 7-10; Vult=130mph (3-second gust) Vasd=103mph; TCCL=6.0psf; BCDL=6.0psf; h=35ft; Cat. II; Exp B; Enclosed; MWFRS (envelope) exterior zone and C-C Exterior (2) zone; cantilever left and right exposed; end vertical left and right exposed; porch left and right exposed; C-C for members and forces & MWFRS for reactions shown; Lumber DOL=1.60 plate grip DOL=1.60
 - Truss designed for wind loads in the plane of the truss only.
 - Gable studs spaced at 2-0-0 oc.
 - This truss has been designed for a 10.0 psf bottom chord live load nonconcurrent with any other live loads.
 - * This truss has been designed for a live load of 20.0psf on the bottom chord in all areas where a rectangle 3-06-00 tall by 2-00-00 wide will fit between the bottom chord and any other members.
 - Bearing at joint(s) 5 considers parallel to grain value using ANSI/TPI 1 angle to grain formula. Building designer should verify capacity of bearing surface.
 - Provide mechanical connection (by others) of truss to bearing plate at joint(s) 5.
 - Provide mechanical connection (by others) of truss to bearing plate capable of withstanding 124 lb uplift at joint 2 and 85 lb uplift at joint 5.
 - This truss is designed in accordance with the 2015 International Residential Code sections R502.11.1 and R802.10.2 and referenced standard ANSI/TPI 1.



This design is based upon parameters shown, and is for an individual building component to be installed and loaded vertically. Applicability of design parameters and proper incorporation of component is responsibility of the Building Designer. Building Designer shall verify all design information on this sheet for conformance with conditions and requirements of the specific building and governing codes and ordinances. Building Designer accepts responsibility for the correctness or accuracy of the design information as it may relate to a specific building. Certification is valid only when truss is fabricated by a UFPI plant. Bracing shown is for lateral support of truss members only and does not replace erection and permanent bracing. Refer to Building Component Safety Information (BCSI) for general guidance regarding storage, erection and bracing available from SBCA and Truss Plate Institute.



Job 72436651	Truss V1	Truss Type Truss	Qty 1	Ply 1	MUNGO HOMES-RUSSELL C ROOF Job Reference (optional)
-----------------	-------------	---------------------	----------	----------	--

UFP Mid Atlantic LLC, 5631 S. NC 62, Burlington, NC, Joy Perry

Run: 8.81 S Sep 13 2024 Print: 8.810 S Sep 13 2024 MiTek Industries, Inc. Fri Nov 22 14:09:54

Page: 1

ID:cwHMG8ulvps02RNOus_qMCyBNdS-bYejUvO9_AMM416FJV0i2z?_DO9odwnAqsFCWoyGd5x

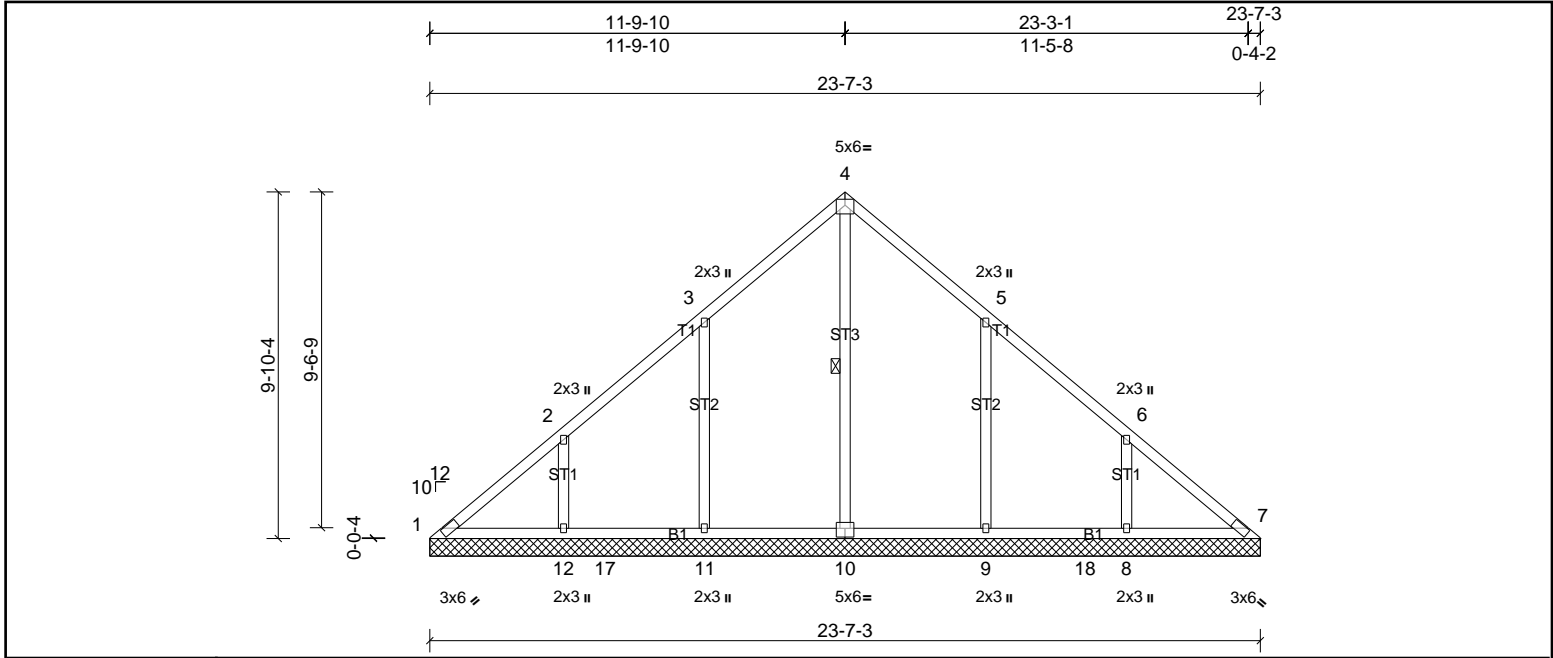


Plate Offsets (X, Y): [10:0-3-0,0-3-0]

Loading	(psf)	Spacing	2-0-0	CSI	DEFL	in	(loc)	l/defl	L/d	PLATES	GRIP	
TCLL (roof)	20.0	Plate Grip DOL	1.15	TC	0.21	Vert(LL)	n/a	-	n/a	999	MT20	244/190
TCDL	10.0	Lumber DOL	1.15	BC	0.16	Vert(TL)	n/a	-	n/a	999		
BCLL	0.0*	Rep Stress Incr	YES	WB	0.23	Horiz(TL)	0.01	7	n/a	n/a		
BCDL	10.0	Code	IRC2015/TPI2014	Matrix-MSH							Weight: 119 lb	FT = 20%

LUMBER		BRACING	
TOP CHORD	2x4 SP No.2	TOP CHORD	Structural wood sheathing directly applied or 6-0-0 oc purlins.
BOT CHORD	2x4 SP No.2	BOT CHORD	Rigid ceiling directly applied or 6-0-0 oc bracing.
OTHERS	2x4 SP No.3	WEBS	1 Row at midpt 4-10

REACTIONS
 All bearings 23-7-3.
 (lb) - Max Horiz 1=249 (LC 7)
 Max Uplift All uplift 100 (lb) or less at joint(s) 1, 7 except 8=-181 (LC 11), 9=-193 (LC 11), 11=-195 (LC 10), 12=-170 (LC 10)
 Max Grav All reactions 250 (lb) or less at joint(s) 1, 7 except 8=388 (LC 18), 9=495 (LC 18), 10=428 (LC 20), 11=491 (LC 17), 12=406 (LC 17)

FORCES
 (lb) - Max. Comp./Max. Ten. - All forces 250 (lb) or less except when shown.
WEBS
 3-11=-312/246, 2-12=-286/206, 5-9=-313/244, 6-8=-283/210

- NOTES**
- Unbalanced roof live loads have been considered for this design.
 - Wind: ASCE 7-10; Vult=130mph (3-second gust) Vasd=103mph; TCCL=6.0psf; BCDL=6.0psf; h=35ft; Cat. II; Exp B; Enclosed; MWFRS (envelope) exterior zone and C-C Exterior (2) zone; cantilever left and right exposed; end vertical left and right exposed; C-C for members and forces & MWFRS for reactions shown; Lumber DOL=1.60 plate grip DOL=1.60
 - All plates are 2x3 MT20 unless otherwise indicated.
 - Gable requires continuous bottom chord bearing.
 - This truss has been designed for a 10.0 psf bottom chord live load nonconcurrent with any other live loads.
 - * This truss has been designed for a live load of 20.0psf on the bottom chord in all areas where a rectangle 3-06-00 tall by 2-00-00 wide will fit between the bottom chord and any other members, with BCDL = 10.0psf.
 - Provide mechanical connection (by others) of truss to bearing plate capable of withstanding 100 lb uplift at joint(s) 1, 7 except (jt=lb) 11=195, 12=170, 9=192, 8=180.
 - This truss is designed in accordance with the 2015 International Residential Code sections R502.11.1 and R802.10.2 and referenced standard ANSI/TPI 1.



This design is based upon parameters shown, and is for an individual building component to be installed and loaded vertically. Applicability of design parameters and proper incorporation of component is responsibility of the Building Designer. Building Designer shall verify all design information on this sheet for conformance with conditions and requirements of the specific building and governing codes and ordinances. Building Designer accepts responsibility for the correctness or accuracy of the design information as it may relate to a specific building. Certification is valid only when truss is fabricated by a UFPI plant. Bracing shown is for lateral support of truss members only and does not replace erection and permanent bracing. Refer to Building Component Safety Information (BCSI) for general guidance regarding storage, erection and bracing available from SBCA and Truss Plate Institute.



Job 72436651	Truss V2	Truss Type Truss	Qty 1	Ply 1	MUNGO HOMES-RUSSELL C ROOF Job Reference (optional)
-----------------	-------------	---------------------	----------	----------	--

UFP Mid Atlantic LLC, 5631 S. NC 62, Burlington, NC, Joy Perry

Run: 8.81 S Sep 13 2024 Print: 8.810 S Sep 13 2024 MiTek Industries, Inc. Fri Nov 22 14:09:54

Page: 1

ID: Qp6CyNmrVRUaDI1HI2HFPuyBNdd-bYejUvO9_AMM416FJV0i2z?_NO9ndwHAqsFCWoyGd5x

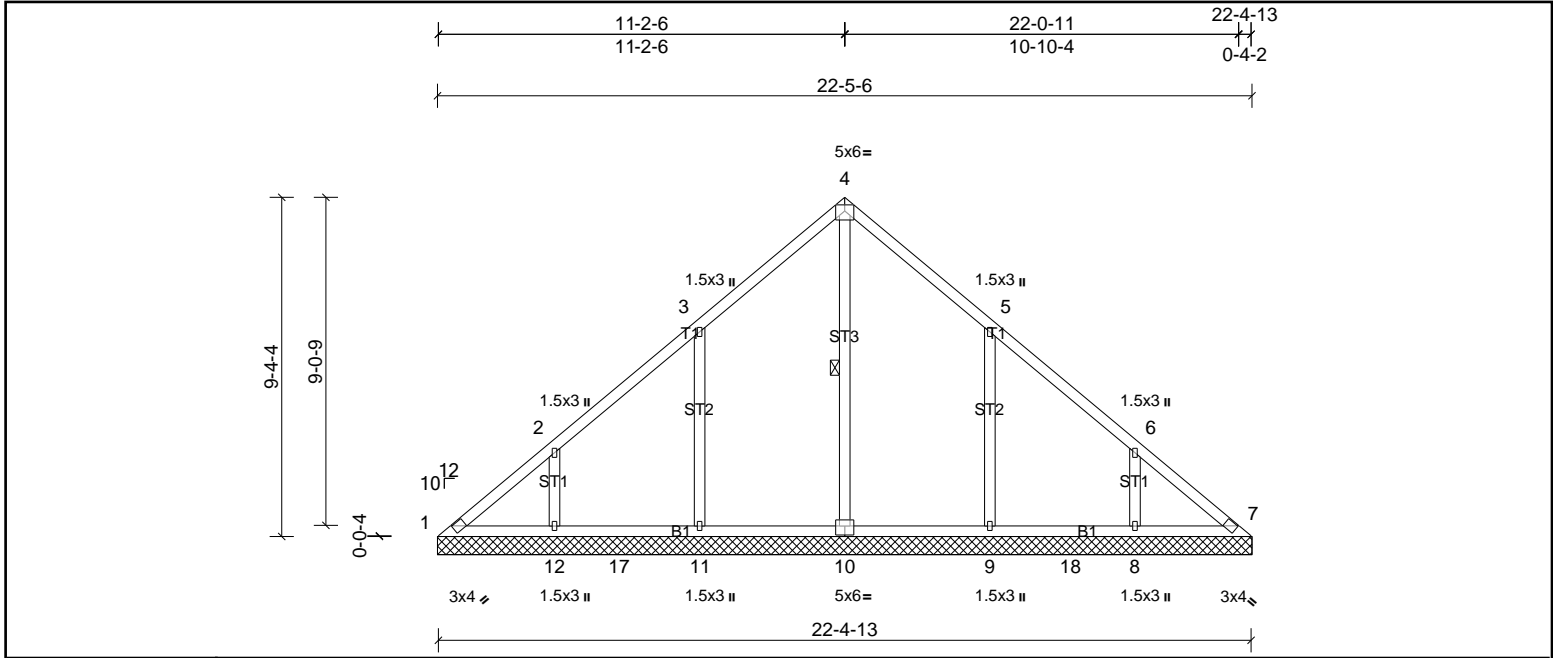


Plate Offsets (X, Y): [10:0-3-0,0-3-0]

Loading	(psf)	Spacing	2-0-0	CSI	DEFLL	in	(loc)	l/defl	L/d	PLATES	GRIP	
TCLL (roof)	20.0	Plate Grip DOL	1.15	TC	0.20	Vert(LL)	n/a	-	n/a	999	MT20	244/190
TCDL	10.0	Lumber DOL	1.15	BC	0.16	Vert(TL)	n/a	-	n/a	999		
BCLL	0.0*	Rep Stress Incr	YES	WB	0.19	Horiz(TL)	0.01	7	n/a	n/a		
BCDL	10.0	Code	IRC2015/TPI2014	Matrix-MSH							Weight: 111 lb	FT = 20%

LUMBER		BRACING	
TOP CHORD	2x4 SP No.2	TOP CHORD	Structural wood sheathing directly applied or 6-0-0 oc purlins.
BOT CHORD	2x4 SP No.2	BOT CHORD	Rigid ceiling directly applied or 10-0-0 oc bracing.
OTHERS	2x4 SP No.3	WEBS	1 Row at midpt 4-10

REACTIONS
 All bearings 22-5-6.
 (lb) - Max Horiz 1=236 (LC 7)
 Max Uplift All uplift 100 (lb) or less at joint(s) 1, 7 except 8=-164 (LC 11), 9=-197 (LC 11), 11=-200 (LC 10), 12=-151 (LC 10)
 Max Grav All reactions 250 (lb) or less at joint(s) 1, 7 except 8=343 (LC 18), 9=495 (LC 18), 10=412 (LC 20), 11=492 (LC 17), 12=360 (LC 17)

FORCES
 (lb) - Max. Comp./Max. Ten. - All forces 250 (lb) or less except when shown.
WEBS
 3-11=-317/249, 2-12=-264/191, 5-9=-317/247, 6-8=-263/197

- NOTES**
- Unbalanced roof live loads have been considered for this design.
 - Wind: ASCE 7-10; Vult=130mph (3-second gust) Vasd=103mph; TCCL=6.0psf; BCDL=6.0psf; h=35ft; Cat. II; Exp B; Enclosed; MWFRS (envelope) exterior zone and C-C Exterior (2) zone; cantilever left and right exposed; end vertical left and right exposed; C-C for members and forces & MWFRS for reactions shown; Lumber DOL=1.60 plate grip DOL=1.60
 - All plates are 1.5x3 MT20 unless otherwise indicated.
 - Gable requires continuous bottom chord bearing.
 - This truss has been designed for a 10.0 psf bottom chord live load nonconcurrent with any other live loads.
 - * This truss has been designed for a live load of 20.0psf on the bottom chord in all areas where a rectangle 3-06-00 tall by 2-00-00 wide will fit between the bottom chord and any other members, with BCDL = 10.0psf.
 - Provide mechanical connection (by others) of truss to bearing plate capable of withstanding 100 lb uplift at joint(s) 1, 7 except (jt=lb) 11=199, 12=150, 9=196, 8=164.
 - Beveled plate or shim required to provide full bearing surface with truss chord at joint(s) 1.
 - This truss is designed in accordance with the 2015 International Residential Code sections R502.11.1 and R802.10.2 and referenced standard ANSI/TPI 1.



This design is based upon parameters shown, and is for an individual building component to be installed and loaded vertically. Applicability of design parameters and proper incorporation of component is responsibility of the Building Designer. Building Designer shall verify all design information on this sheet for conformance with conditions and requirements of the specific building and governing codes and ordinances. Building Designer accepts responsibility for the correctness or accuracy of the design information as it may relate to a specific building. Certification is valid only when truss is fabricated by a UFPI plant. Bracing shown is for lateral support of truss members only and does not replace erection and permanent bracing. Refer to Building Component Safety Information (BCSI) for general guidance regarding storage, erection and bracing available from SBCA and Truss Plate Institute.



Job 72436651	Truss V3	Truss Type Truss	Qty 1	Ply 1	MUNGO HOMES-RUSSELL C ROOF Job Reference (optional)
-----------------	-------------	---------------------	----------	----------	--

UFP Mid Atlantic LLC, 5631 S. NC 62, Burlington, NC, Joy Perry

Run: 8.81 S Sep 13 2024 Print: 8.810 S Sep 13 2024 MiTek Industries, Inc. Fri Nov 22 14:09:55

Page: 1

ID:0ER4JMjzCW6?MIJi4wkYoFyBNdg-3kB5hFPnITUDhBhRsCYxbBY93nUfMN9K2W_I3EyGd5w

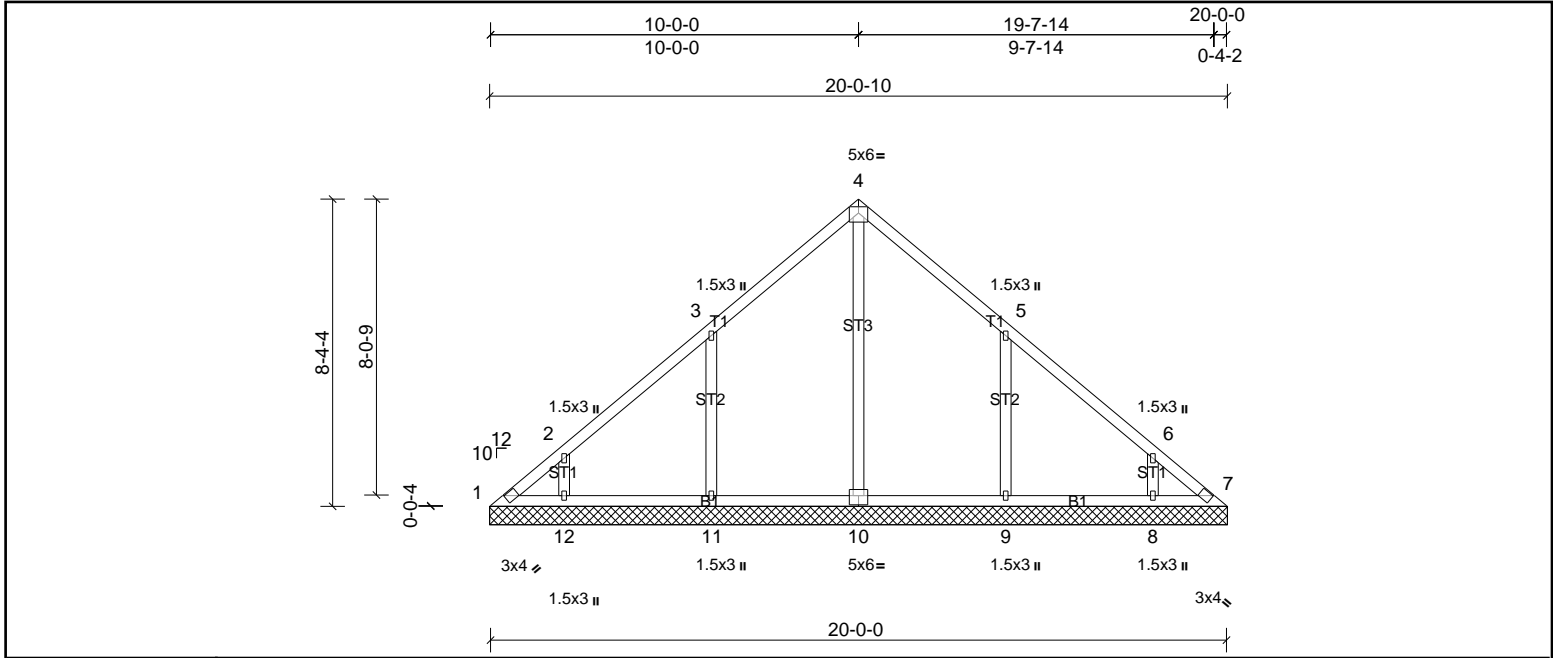


Plate Offsets (X, Y): [10-0-3-0,0-3-0]

Loading	(psf)	Spacing	2-0-0	CSI	DEFL	in	(loc)	l/defl	L/d	PLATES	GRIP	
TCLL (roof)	20.0	Plate Grip DOL	1.15	TC	0.20	Vert(LL)	n/a	-	n/a	999	MT20	244/190
TCDL	10.0	Lumber DOL	1.15	BC	0.19	Vert(TL)	n/a	-	n/a	999		
BCLL	0.0*	Rep Stress Incr	YES	WB	0.22	Horiz(TL)	0.01	7	n/a	n/a		
BCDL	10.0	Code	IRC2015/TPI2014	Matrix-MSH							Weight: 95 lb	FT = 20%

LUMBER		BRACING	
TOP CHORD	2x4 SP No.2	TOP CHORD	Structural wood sheathing directly applied or 6-0-0 oc purlins.
BOT CHORD	2x4 SP No.2	BOT CHORD	Rigid ceiling directly applied or 10-0-0 oc bracing.
OTHERS	2x4 SP No.3		

REACTIONS	
All bearings	20-0-10.
(lb) - Max Horiz	1=211 (LC 7)
Max Uplift	All uplift 100 (lb) or less at joint(s) 1, 7 except 8=-143 (LC 11), 9=-201 (LC 11), 11=-203 (LC 10), 12=-119 (LC 10)
Max Grav	All reactions 250 (lb) or less at joint(s) 1, 7 except 8=277 (LC 18), 9=446 (LC 18), 10=394 (LC 20), 11=445 (LC 17), 12=287 (LC 17)

FORCES	
(lb) - Max. Comp./Max. Ten. - All forces	250 (lb) or less except when shown.
WEBS	3-11=-321/250, 5-9=-320/249

- NOTES**
- Unbalanced roof live loads have been considered for this design.
 - Wind: ASCE 7-10; Vult=130mph (3-second gust) Vasd=103mph; TCCL=6.0psf; BCDL=6.0psf; h=35ft; Cat. II; Exp B; Enclosed; MWFRS (envelope) exterior zone and C-C Exterior (2) zone; cantilever left and right exposed; end vertical left and right exposed; C-C for members and forces & MWFRS for reactions shown; Lumber DOL=1.60 plate grip DOL=1.60
 - All plates are 1.5x3 MT20 unless otherwise indicated.
 - Gable requires continuous bottom chord bearing.
 - This truss has been designed for a 10.0 psf bottom chord live load nonconcurrent with any other live loads.
 - * This truss has been designed for a live load of 20.0psf on the bottom chord in all areas where a rectangle 3-06-00 tall by 2-00-00 wide will fit between the bottom chord and any other members, with BCDL = 10.0psf.
 - Provide mechanical connection (by others) of truss to bearing plate capable of withstanding 100 lb uplift at joint(s) 1, 7 except (jt=lb) 11=203, 12=119, 9=200, 8=142.
 - Beveled plate or shim required to provide full bearing surface with truss chord at joint(s) 1.
 - This truss is designed in accordance with the 2015 International Residential Code sections R502.11.1 and R802.10.2 and referenced standard ANSI/TPI 1.



This design is based upon parameters shown, and is for an individual building component to be installed and loaded vertically. Applicability of design parameters and proper incorporation of component is responsibility of the Building Designer. Building Designer shall verify all design information on this sheet for conformance with conditions and requirements of the specific building and governing codes and ordinances. Building Designer accepts responsibility for the correctness or accuracy of the design information as it may relate to a specific building. Certification is valid only when truss is fabricated by a UFPI plant. Bracing shown is for lateral support of truss members only and does not replace erection and permanent bracing. Refer to Building Component Safety Information (BCSI) for general guidance regarding storage, erection and bracing available from SBCA and Truss Plate Institute.



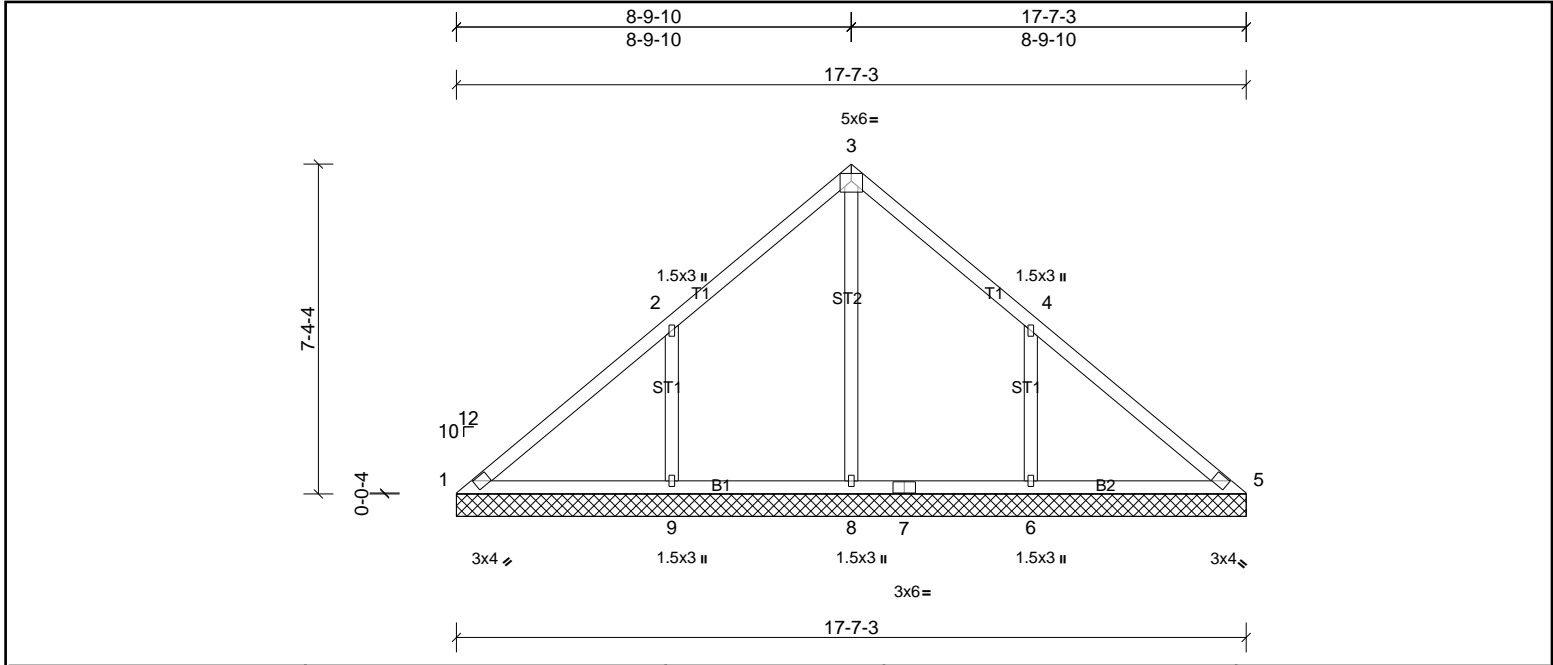
Job 72436651	Truss V4	Truss Type Truss	Qty 1	Ply 1	MUNGO HOMES-RUSSELL C ROOF Job Reference (optional)
-----------------	-------------	---------------------	----------	----------	--

UFP Mid Atlantic LLC, 5631 S. NC 62, Burlington, NC, Joy Perry

Run: 8.81 S Sep 13 2024 Print: 8.810 S Sep 13 2024 MiTek Industries, Inc. Fri Nov 22 14:09:55

Page: 1

ID:bf1xhKh4wbjRVqa7PnArAdyBNdj-3kB5hFPnITUDhBhRsCYxbBY7znUkMJfK2W_I3EyGd5w



Loading	(psf)	Spacing	2-0-0	CSI	DEFL	in	(loc)	l/defl	L/d	PLATES	GRIP	
TCLL (roof)	20.0	Plate Grip DOL	1.15	TC	0.34	Vert(LL)	n/a	-	n/a	999	MT20	244/190
TCDL	10.0	Lumber DOL	1.15	BC	0.18	Vert(TL)	n/a	-	n/a	999		
BCLL	0.0*	Rep Stress Incr	YES	WB	0.51	Horiz(TL)	0.00	14	n/a	n/a		
BCDL	10.0	Code	IRC2015/TPI2014	Matrix-MSH							Weight: 79 lb	FT = 20%

LUMBER		BRACING	
TOP CHORD	2x4 SP No.2	TOP CHORD	Structural wood sheathing directly applied or 10-0-0 oc purlins.
BOT CHORD	2x4 SP No.2	BOT CHORD	Rigid ceiling directly applied or 6-0-0 oc bracing.
OTHERS	2x4 SP No.3		

REACTIONS	
	All bearings 17-7-3.
(lb) - Max Horiz	1=-185 (LC 6)
Max Uplift	All uplift 100 (lb) or less at joint(s) 1, 5, 14 except 6=-225 (LC 11), 9=-232 (LC 10)
Max Grav	All reactions 250 (lb) or less at joint(s) 1, 5, 14 except 6=509 (LC 18), 8=695 (LC 17), 9=509 (LC 17)

FORCES	
	(lb) - Max. Comp./Max. Ten. - All forces 250 (lb) or less except when shown.
TOP CHORD	1-2=-122/411, 2-3=0/343, 3-4=0/326, 4-5=-54/358
WEBS	3-8=-534/0, 2-9=-348/260, 4-6=-349/259

- NOTES**
- Unbalanced roof live loads have been considered for this design.
 - Wind: ASCE 7-10; Vult=130mph (3-second gust) Vasd=103mph; TCDL=6.0psf; BCDL=6.0psf; h=35ft; Cat. II; Exp B; Enclosed; MWFRS (envelope) exterior zone and C-C Exterior (2) zone; cantilever left and right exposed; end vertical left and right exposed; C-C for members and forces & MWFRS for reactions shown; Lumber DOL=1.60 plate grip DOL=1.60
 - Gable requires continuous bottom chord bearing.
 - This truss has been designed for a 10.0 psf bottom chord live load nonconcurrent with any other live loads.
 - * This truss has been designed for a live load of 20.0psf on the bottom chord in all areas where a rectangle 3-06-00 tall by 2-00-00 wide will fit between the bottom chord and any other members, with BCDL = 10.0psf.
 - Provide mechanical connection (by others) of truss to bearing plate capable of withstanding 100 lb uplift at joint(s) 1 except (it=lb) 9=231, 6=225.
 - This truss is designed in accordance with the 2015 International Residential Code sections R502.11.1 and R802.10.2 and referenced standard ANSI/TPI 1.



This design is based upon parameters shown, and is for an individual building component to be installed and loaded vertically. Applicability of design parameters and proper incorporation of component is responsibility of the Building Designer. Building Designer shall verify all design information on this sheet for conformance with conditions and requirements of the specific building and governing codes and ordinances. Building Designer accepts responsibility for the correctness or accuracy of the design information as it may relate to a specific building. Certification is valid only when truss is fabricated by a UFPI plant. Bracing shown is for lateral support of truss members only and does not replace erection and permanent bracing. Refer to Building Component Safety Information (BCSI) for general guidance regarding storage, erection and bracing available from SBCA and Truss Plate Institute.



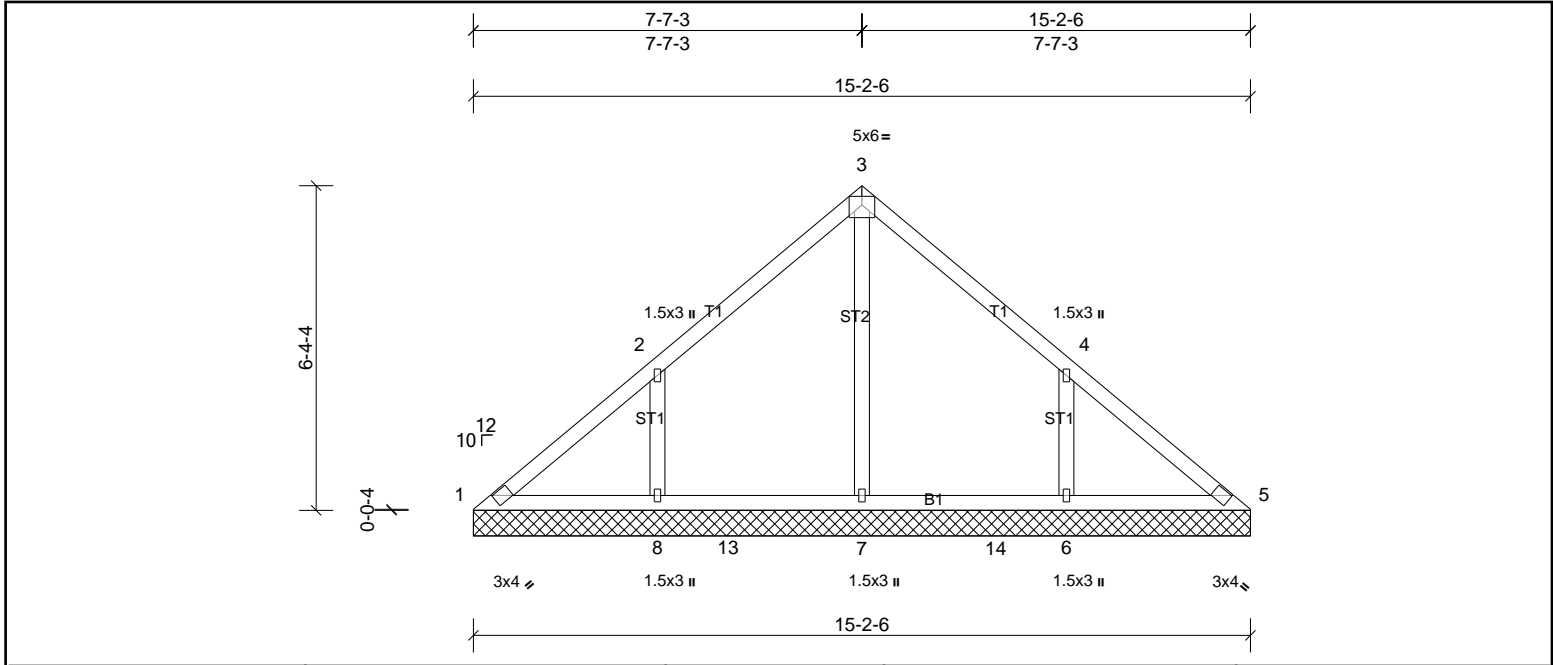
Job 72436651	Truss V5	Truss Type Truss	Qty 1	Ply 1	MUNGO HOMES-RUSSELL C ROOF Job Reference (optional)
-----------------	-------------	---------------------	----------	----------	--

UFP Mid Atlantic LLC, 5631 S. NC 62, Burlington, NC, Joy Perry

Run: 8.81 S Sep 13 2024 Print: 8.810 S Sep 13 2024 MiTek Industries, Inc. Fri Nov 22 14:09:55

Page: 1

ID:Fiy2eddx5358P3iAcEbgTZyBNdo-3kB5hFPnITUDhBhRsCYxbBY9unU6MOWk2W_I3EyGd5w



Loading	(psf)	Spacing	2-0-0	CSI	DEFL	in	(loc)	l/defl	L/d	PLATES	GRIP	
TCLL (roof)	20.0	Plate Grip DOL	1.15	TC	0.21	Vert(LL)	n/a	-	n/a	999	MT20	244/190
TCDL	10.0	Lumber DOL	1.15	BC	0.16	Vert(TL)	n/a	-	n/a	999		
BCLL	0.0*	Rep Stress Incr	YES	WB	0.17	Horiz(TL)	0.00	5	n/a	n/a		
BCDL	10.0	Code	IRC2015/TPI2014	Matrix-MSH							Weight: 66 lb	FT = 20%

LUMBER	BRACING
TOP CHORD 2x4 SP No.2	TOP CHORD Structural wood sheathing directly applied or 10-0-0 oc purlins.
BOT CHORD 2x4 SP No.2	BOT CHORD Rigid ceiling directly applied or 6-0-0 oc bracing.
OTHERS 2x4 SP No.3	

REACTIONS
All bearings 15-2-6.
(lb) - Max Horiz 1=-159 (LC 6)
Max Uplift All uplift 100 (lb) or less at joint(s) 1 except 6=-190 (LC 11), 8=-193 (LC 10)
Max Grav All reactions 250 (lb) or less at joint(s) 1, 5 except 6=412 (LC 18), 7=418 (LC 17), 8=415 (LC 17)

FORCES
(lb) - Max. Comp./Max. Ten. - All forces 250 (lb) or less except when shown.

- WEBS** 2-8=-306/228, 4-6=-306/226
- NOTES**
- Unbalanced roof live loads have been considered for this design.
 - Wind: ASCE 7-10; Vult=130mph (3-second gust) Vasd=103mph; TCCL=6.0psf; BCDL=6.0psf; h=35ft; Cat. II; Exp B; Enclosed; MWFRS (envelope) exterior zone and C-C Exterior (2) zone; cantilever left and right exposed; end vertical left and right exposed; C-C for members and forces & MWFRS for reactions shown; Lumber DOL=1.60 plate grip DOL=1.60
 - Gable requires continuous bottom chord bearing.
 - This truss has been designed for a 10.0 psf bottom chord live load nonconcurrent with any other live loads.
 - * This truss has been designed for a live load of 20.0psf on the bottom chord in all areas where a rectangle 3-06-00 tall by 2-00-00 wide will fit between the bottom chord and any other members, with BCDL = 10.0psf.
 - Provide mechanical connection (by others) of truss to bearing plate capable of withstanding 100 lb uplift at joint(s) 1 except (jt=lb) 8=193, 6=189.
 - This truss is designed in accordance with the 2015 International Residential Code sections R502.11.1 and R802.10.2 and referenced standard ANSI/TPI 1.



This design is based upon parameters shown, and is for an individual building component to be installed and loaded vertically. Applicability of design parameters and proper incorporation of component is responsibility of the Building Designer. Building Designer shall verify all design information on this sheet for conformance with conditions and requirements of the specific building and governing codes and ordinances. Building Designer accepts responsibility for the correctness or accuracy of the design information as it may relate to a specific building. Certification is valid only when truss is fabricated by a UFPI plant. Bracing shown is for lateral support of truss members only and does not replace erection and permanent bracing. Refer to Building Component Safety Information (BCSI) for general guidance regarding storage, erection and bracing available from SBCA and Truss Plate Institute.



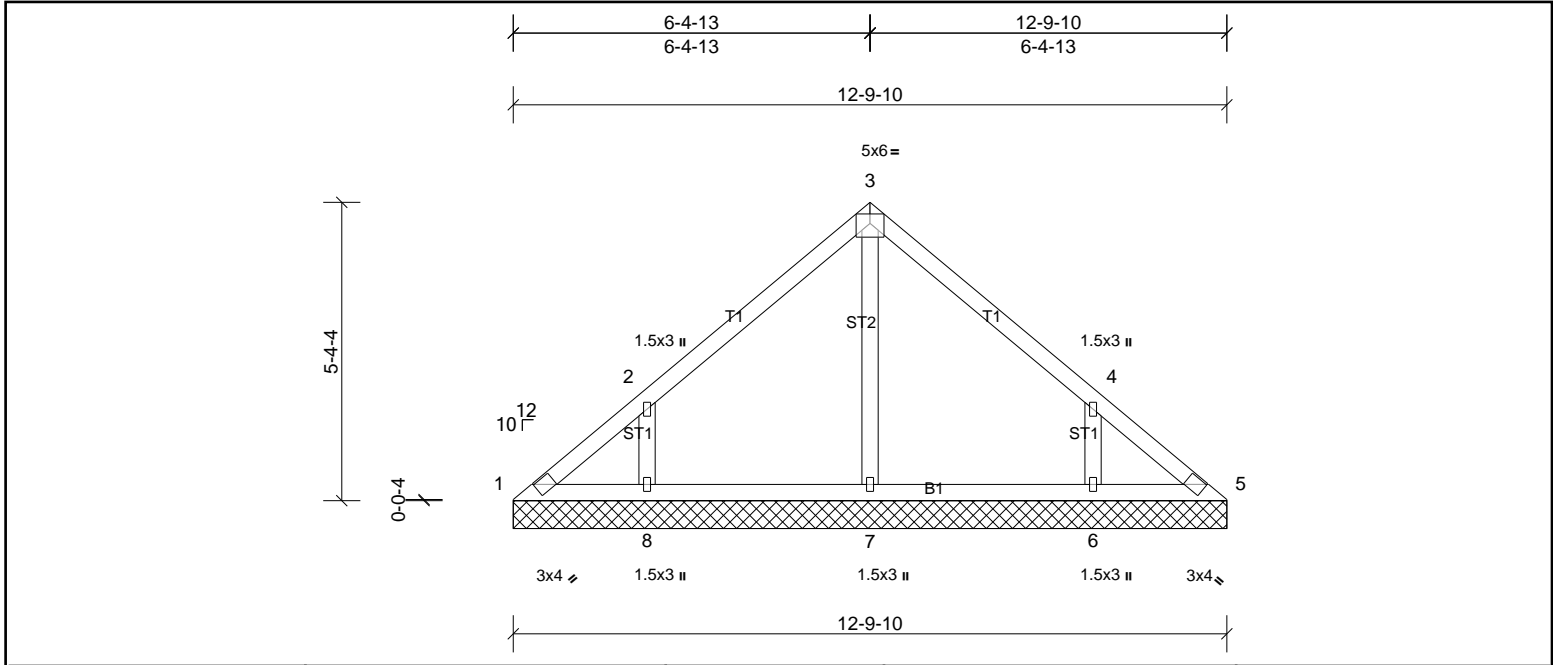
Job 72436651	Truss V6	Truss Type Truss	Qty 1	Ply 1	MUNGO HOMES-RUSSELL C ROOF Job Reference (optional)
-----------------	-------------	---------------------	----------	----------	--

UFP Mid Atlantic LLC, 5631 S. NC 62, Burlington, NC, Joy Perry

Run: 8.81 S Sep 13 2024 Print: 8.810 S Sep 13 2024 MiTek Industries, Inc. Fri Nov 22 14:09:55

Page: 1

ID:8A22_oxnPWGCahOXoKOHHPyGhIT-3kB5hFPnITUDhBhRsCYxbBY9DnVjMPEK2W_I3EyGd5w



Loading	(psf)	Spacing	2-0-0	CSI	DEFL	in	(loc)	l/defl	L/d	PLATES	GRIP	
TCLL (roof)	20.0	Plate Grip DOL	1.15	TC	0.19	Vert(LL)	n/a	-	n/a	999	MT20	244/190
TCDL	10.0	Lumber DOL	1.15	BC	0.12	Vert(TL)	n/a	-	n/a	999		
BCLL	0.0*	Rep Stress Incr	YES	WB	0.09	Horiz(TL)	0.00	5	n/a	n/a		
BCDL	10.0	Code	IRC2015/TPI2014	Matrix-MSH							Weight: 54 lb	FT = 20%

LUMBER	BRACING
TOP CHORD 2x4 SP No.2	TOP CHORD Structural wood sheathing directly applied or 6-0-0 oc purlins.
BOT CHORD 2x4 SP No.2	BOT CHORD Rigid ceiling directly applied or 10-0-0 oc bracing.
OTHERS 2x4 SP No.3	

REACTIONS
All bearings 12-9-10.
(lb) - Max Horiz 1=133 (LC 7)
Max Uplift All uplift 100 (lb) or less at joint(s) 1, 5 except 6=-164 (LC 11), 8=-168 (LC 10)
Max Grav All reactions 250 (lb) or less at joint(s) 1, 5 except 6=338 (LC 18), 7=255 (LC 1), 8=342 (LC 17)

FORCES
(lb) - Max. Comp./Max. Ten. - All forces 250 (lb) or less except when shown.
WEBS 2-8=-286/217, 4-6=-286/215

- NOTES**
- Unbalanced roof live loads have been considered for this design.
 - Wind: ASCE 7-10; Vult=130mph (3-second gust) Vasd=103mph; TCCL=6.0psf; BCDL=6.0psf; h=35ft; Cat. II; Exp B; Enclosed; MWFRS (envelope) exterior zone and C-C Exterior (2) zone; cantilever left and right exposed; end vertical left and right exposed; C-C for members and forces & MWFRS for reactions shown; Lumber DOL=1.60 plate grip DOL=1.60
 - Gable requires continuous bottom chord bearing.
 - This truss has been designed for a 10.0 psf bottom chord live load nonconcurrent with any other live loads.
 - * This truss has been designed for a live load of 20.0psf on the bottom chord in all areas where a rectangle 3-06-00 tall by 2-00-00 wide will fit between the bottom chord and any other members.
 - Provide mechanical connection (by others) of truss to bearing plate capable of withstanding 100 lb uplift at joint(s) 1, 5 except (jt=lb) 8=167, 6=163.
 - This truss is designed in accordance with the 2015 International Residential Code sections R502.11.1 and R802.10.2 and referenced standard ANSI/TPI 1.



This design is based upon parameters shown, and is for an individual building component to be installed and loaded vertically. Applicability of design parameters and proper incorporation of component is responsibility of the Building Designer. Building Designer shall verify all design information on this sheet for conformance with conditions and requirements of the specific building and governing codes and ordinances. Building Designer accepts responsibility for the correctness or accuracy of the design information as it may relate to a specific building. Certification is valid only when truss is fabricated by a UFPI plant. Bracing shown is for lateral support of truss members only and does not replace erection and permanent bracing. Refer to Building Component Safety Information (BCSI) for general guidance regarding storage, erection and bracing available from SBCA and Truss Plate Institute.



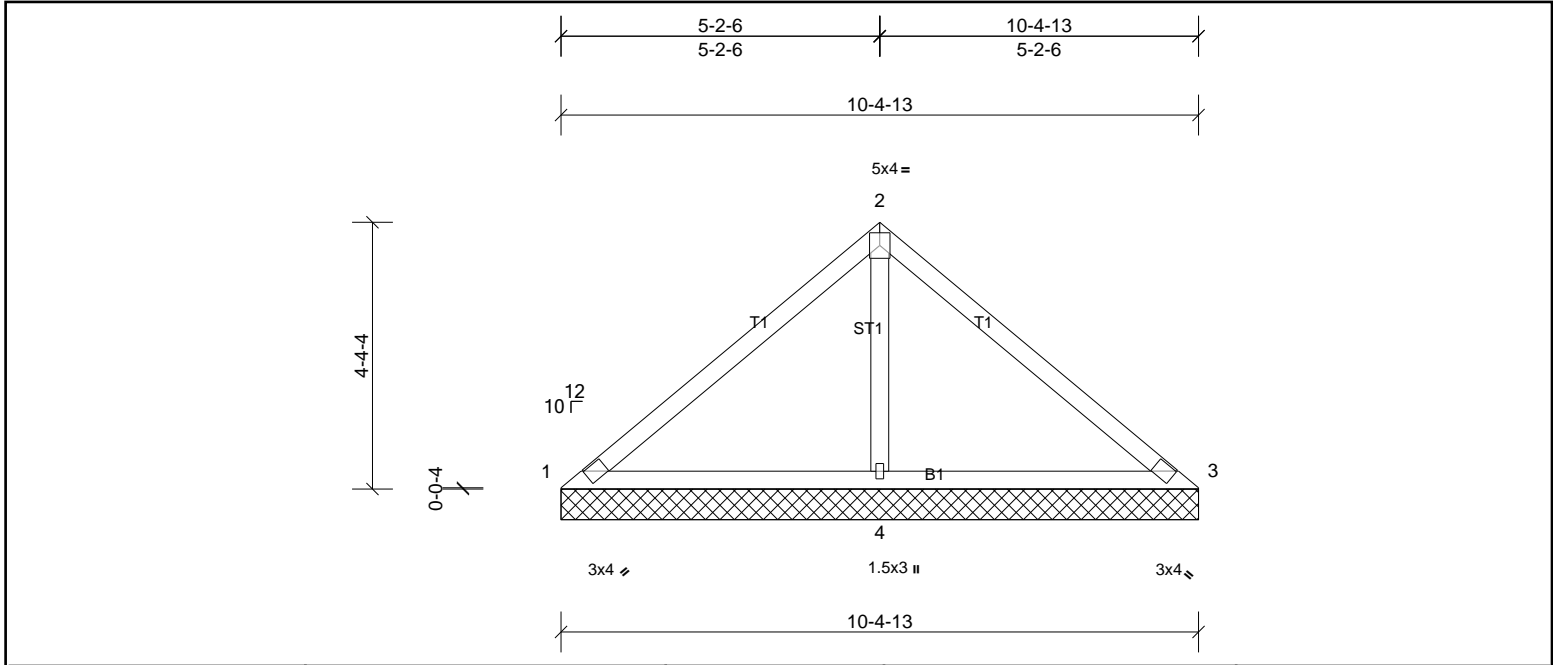
Job 72436651	Truss V7	Truss Type Truss	Qty 1	Ply 1	MUNGO HOMES-RUSSELL C ROOF Job Reference (optional)
-----------------	-------------	---------------------	----------	----------	--

UFP Mid Atlantic LLC, 5631 S. NC 62, Burlington, NC, Joy Perry

Run: 8.81 S Sep 13 2024 Print: 8.810 S Sep 13 2024 MiTek Industries, Inc. Fri Nov 22 14:09:55

Page: 1

ID:FPoY8QuGLHm645mZVKL7ZyGhIX-3kB5hFPnITUDhBhRsCYxbBY7DnS1MNGK2W_I3EyGd5w



Loading	(psf)	Spacing	2-0-0	CSI	DEFL	in	(loc)	l/defl	L/d	PLATES	GRIP	
TCLL (roof)	20.0	Plate Grip DOL	1.15	TC	0.32	Vert(LL)	n/a	-	n/a	999	MT20	244/190
TCDL	10.0	Lumber DOL	1.15	BC	0.29	Vert(TL)	n/a	-	n/a	999		
BCLL	0.0*	Rep Stress Incr	YES	WB	0.21	Horiz(TL)	0.00	3	n/a	n/a		
BCDL	10.0	Code	IRC2015/TPI2014	Matrix-MSH							Weight: 40 lb	FT = 20%

LUMBER		BRACING	
TOP CHORD	2x4 SP No.2	TOP CHORD	Structural wood sheathing directly applied or 10-0-0 oc purlins.
BOT CHORD	2x4 SP No.2	BOT CHORD	Rigid ceiling directly applied or 6-0-0 oc bracing.
OTHERS	2x4 SP No.3		
REACTIONS	(lb/size)	1=20/10-4-13, (min. 0-1-8), 3=20/10-4-13, (min. 0-1-8), 4=793/10-4-13, (min. 0-1-8)	
	Max Horiz	1=108 (LC 7)	
	Max Uplift	1=-38 (LC 22), 3=-38 (LC 21), 4=-163 (LC 10)	
	Max Grav	1=66 (LC 21), 3=66 (LC 22), 4=793 (LC 1)	
FORCES	(lb) - Max. Comp./Max. Ten. - All forces 250 (lb) or less except when shown.		
TOP CHORD	1-2=-123/347, 2-3=-123/347		
BOT CHORD	1-4=-290/177, 3-4=-290/177		
WEBS	2-4=-612/263		

- NOTES**
- Unbalanced roof live loads have been considered for this design.
 - Wind: ASCE 7-10; Vult=130mph (3-second gust) Vasd=103mph; TCCL=6.0psf; BCDL=6.0psf; h=35ft; Cat. II; Exp B; Enclosed; MWFRS (envelope) exterior zone and C-C Exterior (2) zone; cantilever left and right exposed; end vertical left and right exposed; C-C for members and forces & MWFRS for reactions shown; Lumber DOL=1.60 plate grip DOL=1.60
 - Gable requires continuous bottom chord bearing.
 - This truss has been designed for a 10.0 psf bottom chord live load nonconcurrent with any other live loads.
 - * This truss has been designed for a live load of 20.0psf on the bottom chord in all areas where a rectangle 3-06-00 tall by 2-00-00 wide will fit between the bottom chord and any other members.
 - Provide mechanical connection (by others) of truss to bearing plate capable of withstanding 38 lb uplift at joint 1, 38 lb uplift at joint 3 and 163 lb uplift at joint 4.
 - This truss is designed in accordance with the 2015 International Residential Code sections R502.11.1 and R802.10.2 and referenced standard ANSI/TPI 1.



This design is based upon parameters shown, and is for an individual building component to be installed and loaded vertically. Applicability of design parameters and proper incorporation of component is responsibility of the Building Designer. Building Designer shall verify all design information on this sheet for conformance with conditions and requirements of the specific building and governing codes and ordinances. Building Designer accepts responsibility for the correctness or accuracy of the design information as it may relate to a specific building. Certification is valid only when truss is fabricated by a UFPI plant. Bracing shown is for lateral support of truss members only and does not replace erection and permanent bracing. Refer to Building Component Safety Information (BCSI) for general guidance regarding storage, erection and bracing available from SBCA and Truss Plate Institute.



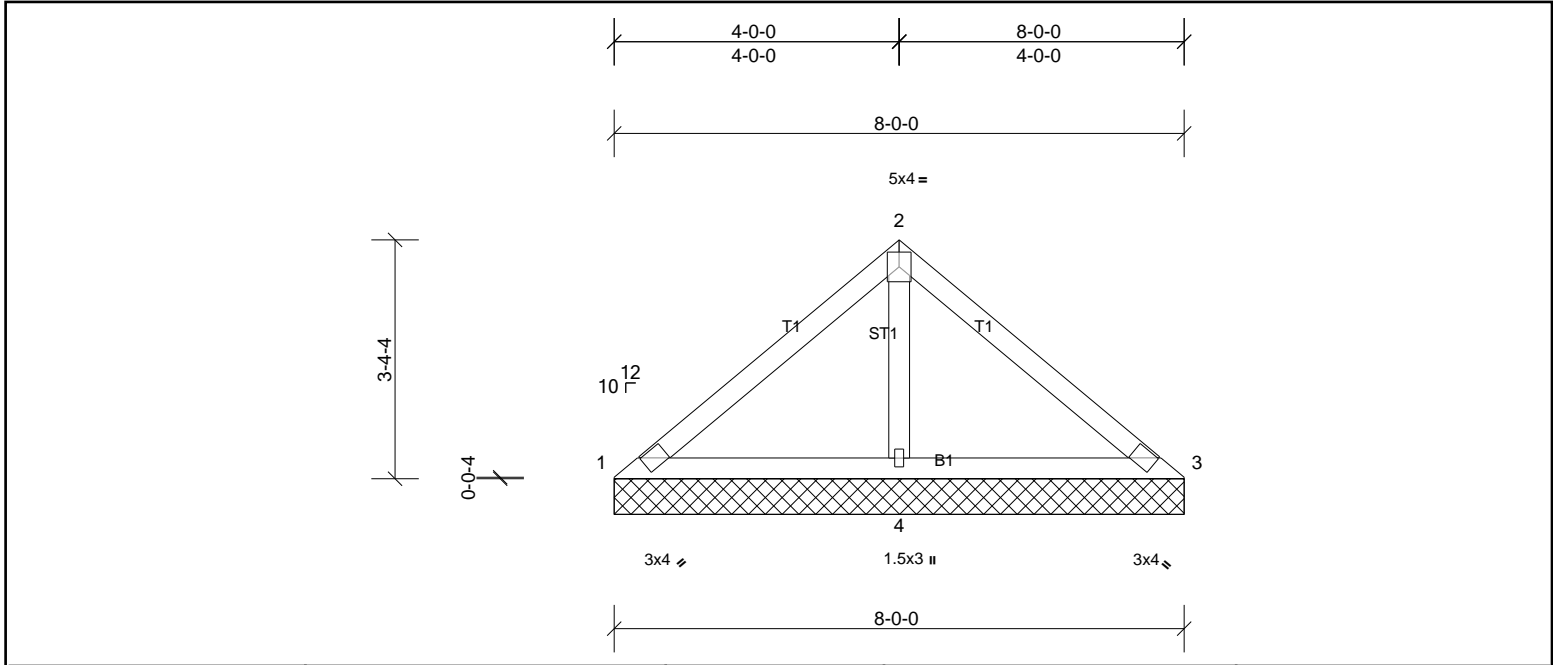
Job 72436651	Truss V8	Truss Type Truss	Qty 1	Ply 1	MUNGO HOMES-RUSSELL C ROOF Job Reference (optional)
-----------------	-------------	---------------------	----------	----------	--

UFP Mid Atlantic LLC, 5631 S. NC 62, Burlington, NC, Joy Perry

Run: 8.81 S Sep 13 2024 Print: 8.810 S Sep 13 2024 MiTek Industries, Inc. Fri Nov 22 14:09:55

Page: 1

ID:NdZ1J3rIH2GKdSn?KfFPzjyGhIb-3kB5hFPnITUDhBhRsCYxbBYAXnUrMP0K2W_I3EyGd5w



Loading	(psf)	Spacing	2-0-0	CSI	DEFL	in	(loc)	l/defl	L/d	PLATES	GRIP	
TCLL (roof)	20.0	Plate Grip DOL	1.15	TC	0.17	Vert(LL)	n/a	-	n/a	999	MT20	244/190
TCDL	10.0	Lumber DOL	1.15	BC	0.18	Vert(TL)	n/a	-	n/a	999		
BCLL	0.0*	Rep Stress Incr	YES	WB	0.10	Horiz(TL)	0.00	3	n/a	n/a		
BCDL	10.0	Code	IRC2015/TPI2014	Matrix-MSH							Weight: 30 lb	FT = 20%

LUMBER		BRACING	
TOP CHORD	2x4 SP No.2	TOP CHORD	Structural wood sheathing directly applied or 8-0-0 oc purlins.
BOT CHORD	2x4 SP No.2	BOT CHORD	Rigid ceiling directly applied or 6-0-0 oc bracing.
OTHERS	2x4 SP No.3		

REACTIONS	(lb/size)	1=48/8-0-0, (min. 0-1-8), 3=48/8-0-0, (min. 0-1-8), 4=544/8-0-0, (min. 0-1-8)
Max Horiz	1=82 (LC 6)	
Max Uplift	1=5 (LC 22), 3=-7 (LC 6), 4=-100 (LC 10)	
Max Grav	1=75 (LC 21), 3=75 (LC 22), 4=544 (LC 1)	

FORCES (lb) - Max. Comp./Max. Ten. - All forces 250 (lb) or less except when shown.
WEBS 2-4=-399/167

- NOTES**
- 1) Unbalanced roof live loads have been considered for this design.
 - 2) Wind: ASCE 7-10; Vult=130mph (3-second gust) Vasd=103mph; TCCL=6.0psf; BCDL=6.0psf; h=35ft; Cat. II; Exp B; Enclosed; MWFRS (envelope) exterior zone and C-C Exterior (2) zone; cantilever left and right exposed; end vertical left and right exposed; C-C for members and forces & MWFRS for reactions shown; Lumber DOL=1.60 plate grip DOL=1.60
 - 3) Gable requires continuous bottom chord bearing.
 - 4) This truss has been designed for a 10.0 psf bottom chord live load nonconcurrent with any other live loads.
 - 5) * This truss has been designed for a live load of 20.0psf on the bottom chord in all areas where a rectangle 3-06-00 tall by 2-00-00 wide will fit between the bottom chord and any other members.
 - 6) Provide mechanical connection (by others) of truss to bearing plate capable of withstanding 5 lb uplift at joint 1, 7 lb uplift at joint 3 and 100 lb uplift at joint 4.
 - 7) This truss is designed in accordance with the 2015 International Residential Code sections R502.11.1 and R802.10.2 and referenced standard ANSI/TPI 1.



This design is based upon parameters shown, and is for an individual building component to be installed and loaded vertically. Applicability of design parameters and proper incorporation of component is responsibility of the Building Designer. Building Designer shall verify all design information on this sheet for conformance with conditions and requirements of the specific building and governing codes and ordinances. Building Designer accepts responsibility for the correctness or accuracy of the design information as it may relate to a specific building. Certification is valid only when truss is fabricated by a UFPI plant. Bracing shown is for lateral support of truss members only and does not replace erection and permanent bracing. Refer to Building Component Safety Information (BCSI) for general guidance regarding storage, erection and bracing available from SBCA and Truss Plate Institute.



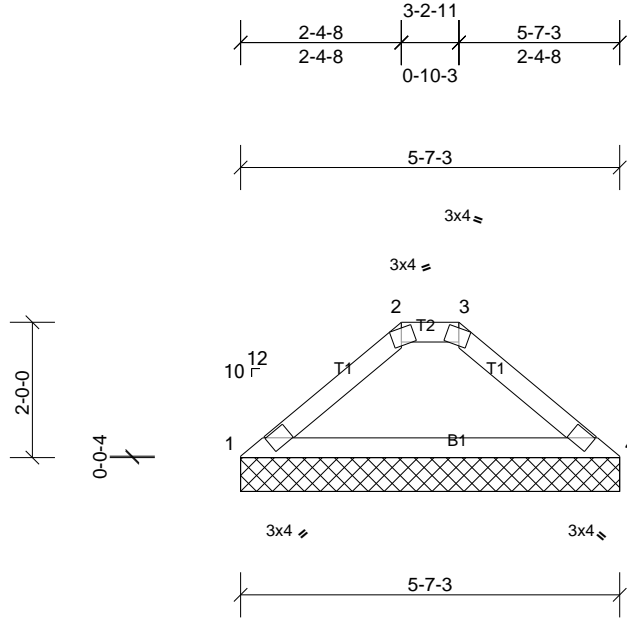
Job 72436651	Truss V9	Truss Type Truss	Qty 1	Ply 1	MUNGO HOMES-RUSSELL C ROOF Job Reference (optional)
-----------------	-------------	---------------------	----------	----------	--

UFP Mid Atlantic LLC, 5631 S. NC 62, Burlington, NC, Joy Perry

Run: 8.81 S Sep 13 2024 Print: 8.810 S Sep 13 2024 MiTek Industries, Inc. Fri Nov 22 14:09:56

Page: 1

ID:giyFCejUe_?IQw04Y43ZcyGhll-XwlTvbPPWnc4JLGeQw3A7O5KuBqE5toTHAKJbgyGd5v



Loading	(psf)	Spacing	2-0-0	CSI	DEFL	in	(loc)	l/defl	L/d	PLATES	GRIP	
TCLL (roof)	20.0	Plate Grip DOL	1.15	TC	0.20	Vert(LL)	n/a	-	n/a	999	MT20	244/190
TCDL	10.0	Lumber DOL	1.15	BC	0.17	Vert(TL)	n/a	-	n/a	999		
BCLL	0.0*	Rep Stress Incr	YES	WB	0.00	Horiz(TL)	0.01	4	n/a	n/a		
BCDL	10.0	Code	IRC2015/TPI2014	Matrix-MR							Weight: 17 lb	FT = 20%

LUMBER	BRACING
TOP CHORD 2x4 SP No.2	TOP CHORD Structural wood sheathing directly applied or 5-7-3 oc purlins, except 2-0-0 oc purlins: 2-3.
BOT CHORD 2x4 SP No.2	BOT CHORD Rigid ceiling directly applied or 10-0-0 oc bracing.
REACTIONS	
(lb/size) 1=224/5-7-3, (min. 0-1-8), 4=224/5-7-3, (min. 0-1-8)	
Max Horiz 1=48 (LC 6)	
Max Uplift 1=24 (LC 10), 4=24 (LC 11)	
FORCES	
(lb) - Max. Comp./Max. Ten. - All forces 250 (lb) or less except when shown.	
TOP CHORD 1-2=-324/91	

- NOTES**
- Unbalanced roof live loads have been considered for this design.
 - Wind: ASCE 7-10; Vult=130mph (3-second gust) Vasd=103mph; TCDL=6.0psf; BCDL=6.0psf; h=35ft; Cat. II; Exp B; Enclosed; MWFRS (envelope) exterior zone and C-C Exterior (2) zone; cantilever left and right exposed; end vertical left and right exposed; C-C for members and forces & MWFRS for reactions shown; Lumber DOL=1.60 plate grip DOL=1.60
 - Truss designed for wind loads in the plane of the truss only.
 - Provide adequate drainage to prevent water ponding.
 - Gable requires continuous bottom chord bearing.
 - Gable studs spaced at 4-0-0 oc.
 - This truss has been designed for a 10.0 psf bottom chord live load nonconcurrent with any other live loads.
 - * This truss has been designed for a live load of 20.0psf on the bottom chord in all areas where a rectangle 3-06-00 tall by 2-00-00 wide will fit between the bottom chord and any other members.
 - Provide mechanical connection (by others) of truss to bearing plate capable of withstanding 24 lb uplift at joint 1 and 24 lb uplift at joint 4.
 - This truss is designed in accordance with the 2015 International Residential Code sections R502.11.1 and R802.10.2 and referenced standard ANSI/TPI 1.
 - Graphical purlin representation does not depict the size or the orientation of the purlin along the top and/or bottom chord.



This design is based upon parameters shown, and is for an individual building component to be installed and loaded vertically. Applicability of design parameters and proper incorporation of component is responsibility of the Building Designer. Building Designer shall verify all design information on this sheet for conformance with conditions and requirements of the specific building and governing codes and ordinances. Building Designer accepts responsibility for the correctness or accuracy of the design information as it may relate to a specific building. Certification is valid only when truss is fabricated by a UFPI plant. Bracing shown is for lateral support of truss members only and does not replace erection and permanent bracing. Refer to Building Component Safety Information (BCSI) for general guidance regarding storage, erection and bracing available from SBCA and Truss Plate Institute.



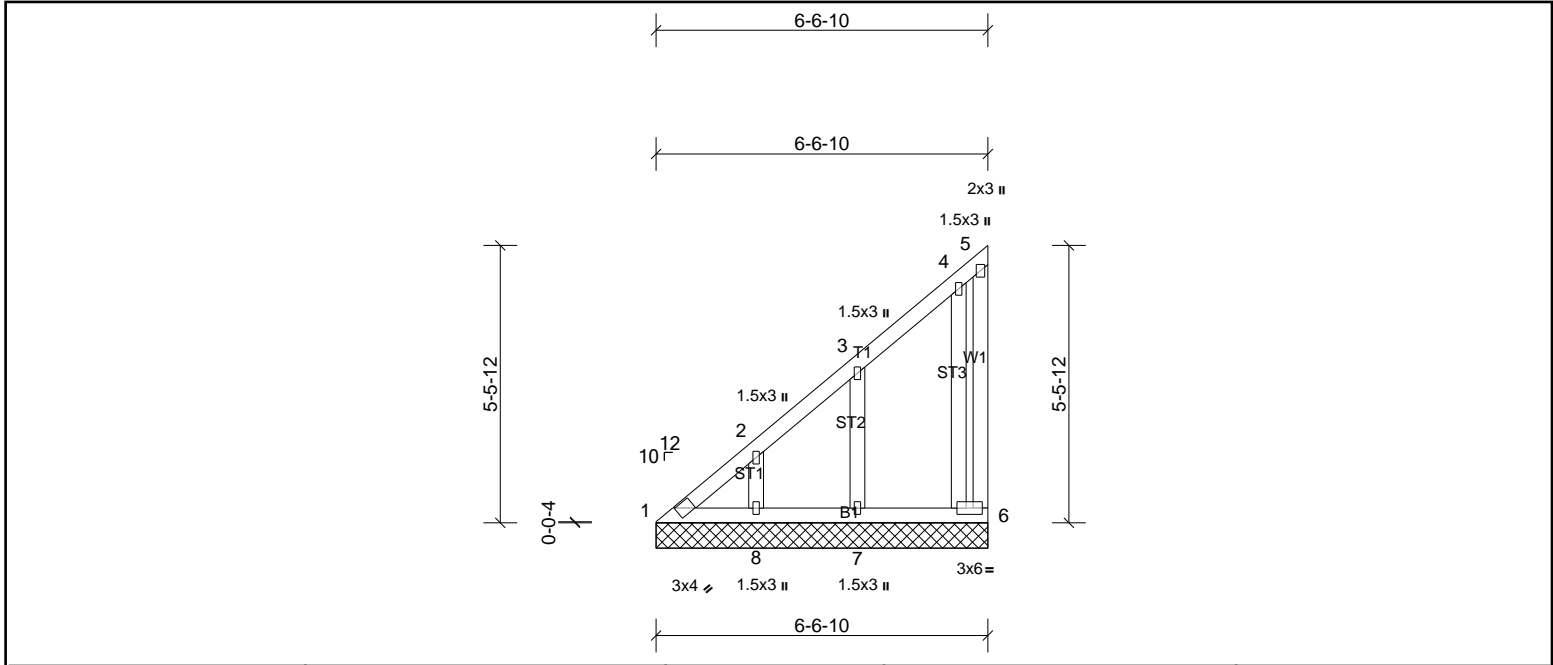
Job 72436651	Truss VG	Truss Type Truss	Qty 1	Ply 1	MUNGO HOMES-RUSSELL C ROOF Job Reference (optional)
-----------------	-------------	---------------------	----------	----------	--

UFPI Mid Atlantic LLC, 5631 S. NC 62, Burlington, NC, Joy Perry

Run: 8.81 S Sep 13 2024 Print: 8.810 S Sep 13 2024 MiTek Industries, Inc. Fri Nov 22 14:09:56

Page: 1

ID: ?gnMZgnDBYzn8CyyChzwVbyGgNt-XwITvbPPWnc4JLGeQw3A7O5JPBrS5t6THAKJgyGd5v



Loading	(psf)	Spacing	2-0-0	CSI	DEFL	in	(loc)	l/defl	L/d	PLATES	GRIP	
TCLL (roof)	20.0	Plate Grip DOL	1.15	TC	0.29	Vert(LL)	n/a	-	n/a	999	MT20	244/190
TCDL	10.0	Lumber DOL	1.15	BC	0.09	Vert(TL)	n/a	-	n/a	999		
BCLL	0.0*	Rep Stress Incr	YES	WB	0.04	Horiz(TL)	0.00	6	n/a	n/a		
BCDL	10.0	Code	IRC2015/TPI2014	Matrix-MSH							Weight: 41 lb	FT = 20%

LUMBER	BRACING
TOP CHORD 2x4 SP No.2	TOP CHORD Structural wood sheathing directly applied or 6-0-0 oc purlins, except end verticals.
BOT CHORD 2x4 SP No.2	BOT CHORD Rigid ceiling directly applied or 10-0-0 oc bracing.
WEBS 2x4 SP No.3	
OTHERS 2x4 SP No.3	

REACTIONS All bearings 6-6-10.
 (lb) - Max Horiz 1=201 (LC 7)
 Max Uplift All uplift 100 (lb) or less at joint(s) 1, 6, 8 except 7=103 (LC 10)
 Max Grav All reactions 250 (lb) or less at joint(s) 1, 6, 7, 8

FORCES (lb) - Max. Comp./Max. Ten. - All forces 250 (lb) or less except when shown.

- NOTES**
- Unbalanced roof live loads have been considered for this design.
 - Wind: ASCE 7-10; Vult=130mph (3-second gust) Vasd=103mph; TC DL=6.0psf; BC DL=6.0psf; h=35ft; Cat. II; Exp B; Enclosed; MWFRS (envelope) exterior zone and C-C Exterior (2) zone; cantilever left and right exposed; end vertical left and right exposed; C-C for members and forces & MWFRS for reactions shown; Lumber DOL=1.60 plate grip DOL=1.60
 - Truss designed for wind loads in the plane of the truss only.
 - Gable requires continuous bottom chord bearing.
 - Gable studs spaced at 2-0-0 oc.
 - This truss has been designed for a 10.0 psf bottom chord live load nonconcurrent with any other live loads.
 - * This truss has been designed for a live load of 20.0psf on the bottom chord in all areas where a rectangle 3-06-00 tall by 2-00-00 wide will fit between the bottom chord and any other members.
 - Provide mechanical connection (by others) of truss to bearing plate capable of withstanding 100 lb uplift at joint(s) 6, 1, 8 except (it=lb) 7=103.
 - This truss is designed in accordance with the 2015 International Residential Code sections R502.11.1 and R802.10.2 and referenced standard ANSI/TPI 1.



This design is based upon parameters shown, and is for an individual building component to be installed and loaded vertically. Applicability of design parameters and proper incorporation of component is responsibility of the Building Designer. Building Designer shall verify all design information on this sheet for conformance with conditions and requirements of the specific building and governing codes and ordinances. Building Designer accepts responsibility for the correctness or accuracy of the design information as it may relate to a specific building. Certification is valid only when truss is fabricated by a UFPI plant. Bracing shown is for lateral support of truss members only and does not replace erection and permanent bracing. Refer to Building Component Safety Information (BCSI) for general guidance regarding storage, erection and bracing available from SBCA and Truss Plate Institute.

