

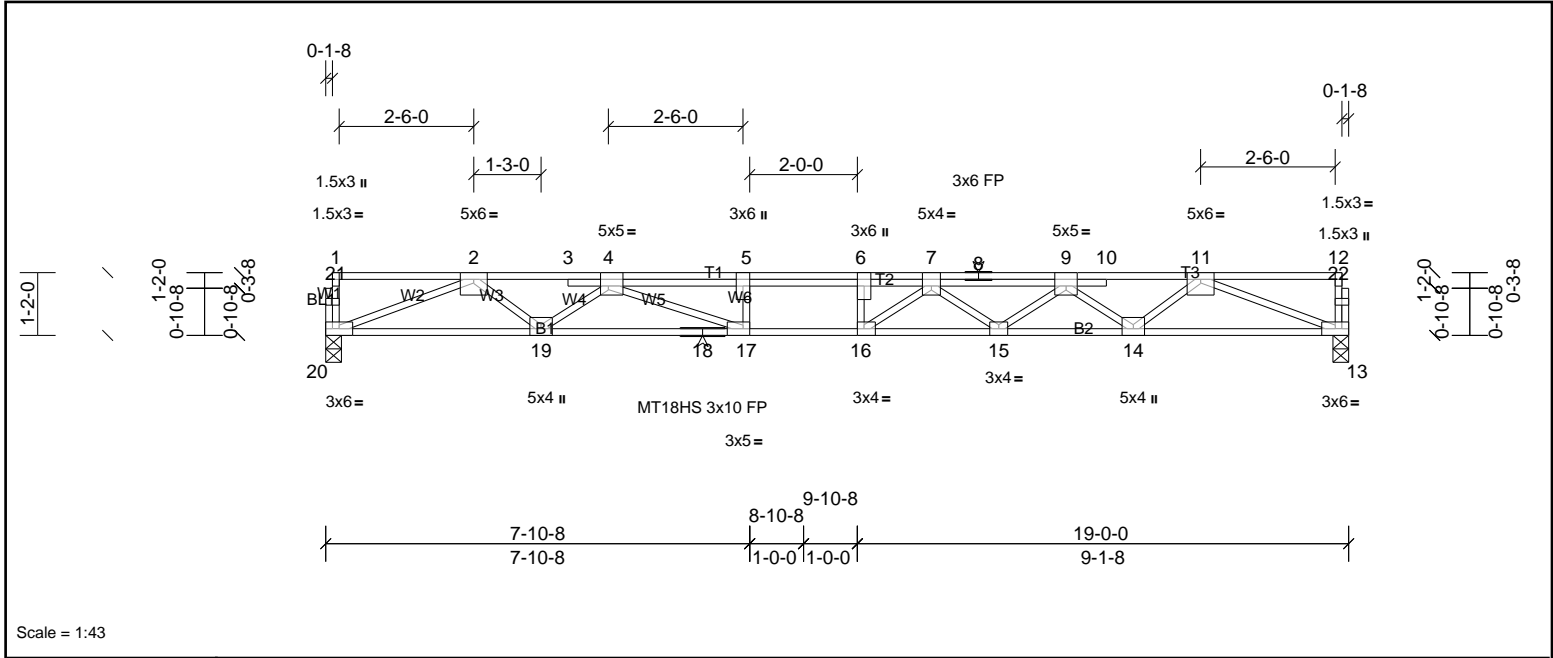
Job 72436653	Truss F200	Truss Type Truss	Qty 11	Ply 1	MUNGO HOMES-RUSSELL 2ND FLR Job Reference (optional)
-----------------	---------------	---------------------	-----------	----------	---

UFP Mid Atlantic LLC, 5631 S. NC 62, Burlington, NC, Joy Perry

Run: 8.81 S Sep 13 2024 Print: 8.810 S Sep 13 2024 MiTek Industries, Inc. Fri Nov 22 13:36:37

Page: 1

ID:Y?I0TELA5G72hK6FRQkx8OyE?ZL-ZLTmM3DVHamj_8xRpbhPcroi0NS1Dd6Ecf?2x2yGdb8



Scale = 1:43

Plate Offsets (X, Y):	[4:0-1-12,Edge], [6:0-3-0,Edge], [7:0-2-0,Edge], [9:0-2-8,Edge], [16:0-1-8,Edge], [17:0-1-8,Edge]										
Loading (psf)	Spacing	2-0-0	CSI	DEFL	in	(loc)	l/defl	L/d	PLATES	GRIP	
TCLL 40.0	Plate Grip DOL	1.00	TC	0.28	Vert(LL)	-0.31	16	>737	480	MT18HS	244/190
TCDL 10.0	Lumber DOL	1.00	BC	0.65	Vert(CT)	-0.44	16	>506	360	MT20	244/190
BCLL 0.0	Rep Stress Incr	NO	WB	0.69	Horz(CT)	0.09	13	n/a	n/a		
BCDL 5.0	Code	IRC2015/TPI2014	Matrix-SH							Weight: 106 lb	FT = 20%F, 11%E

LUMBER		BRACING	
TOP CHORD	2x4 SP SS(flat)	TOP CHORD	Structural wood sheathing directly applied or 6-0-0 oc purlins, except end verticals.
BOT CHORD	2x4 SP SS(flat)	BOT CHORD	Rigid ceiling directly applied or 10-0-0 oc bracing.
WEBS	2x4 SP No.3(flat)		
OTHERS	2x4 SP No.3(flat)		

REACTIONS	(lb/size)	13=1061/0-3-8, (min. 0-1-8), 20=1066/0-3-8, (min. 0-1-8)
FORCES	(lb) - Max. Comp./Max. Ten. - All forces 250 (lb) or less except when shown.	
TOP CHORD		2-3=-3200/0, 3-4=-3202/0, 4-5=-5165/0, 5-6=-5165/0, 6-7=-5165/0, 7-8=-4548/0, 8-9=-4548/0, 9-10=-3182/0, 10-11=-3180/0
BOT CHORD		19-20=0/2362, 18-19=0/4042, 17-18=0/4042, 16-17=0/5165, 15-16=0/5035, 14-15=0/4024, 13-14=0/2346
WEBS		5-17=-437/0, 6-16=-357/139, 2-20=-2533/0, 2-19=0/1092, 4-19=-1070/0, 4-17=0/1402, 11-13=-2517/0, 11-14=0/1086, 9-14=-1073/0, 9-15=0/665, 7-15=-619/0, 7-16=-267/675

- NOTES**
- 1) Unbalanced floor live loads have been considered for this design.
 - 2) All plates are MT20 plates unless otherwise indicated.
 - 3) This truss is designed in accordance with the 2015 International Residential Code sections R502.11.1 and R802.10.2 and referenced standard ANSI/TPI 1.
 - 4) Load case(s) 1 has/have been modified. Building designer must review loads to verify that they are correct for the intended use of this truss.
 - 5) Recommend 2x6 strongbacks, on edge, spaced at 10-00-00 oc and fastened to each truss with 3-10d (0.131" X 3") nails. Strongbacks to be attached to walls at their outer ends or restrained by other means.

LOAD CASE(S)	Standard
1) Dead + Floor Live (balanced): Lumber Increase=1.00, Plate Increase=1.00	
Uniform Loads (lb/ft)	
Vert: 13-20=-10, 1-5=-100, 5-6=-136, 6-12=-100	



This design is based upon parameters shown, and is for an individual building component to be installed and loaded vertically. Applicability of design parameters and proper incorporation of component is responsibility of the Building Designer. Building Designer shall verify all design information on this sheet for conformance with conditions and requirements of the specific building and governing codes and ordinances. Building Designer accepts responsibility for the correctness or accuracy of the design information as it may relate to a specific building. Certification is valid only when truss is fabricated by a UFPI plant. Bracing shown is for lateral support of truss members only and does not replace erection and permanent bracing. Refer to Building Component Safety Information (BCSI) for general guidance regarding storage, erection and bracing available from SBCA and Truss Plate Institute.



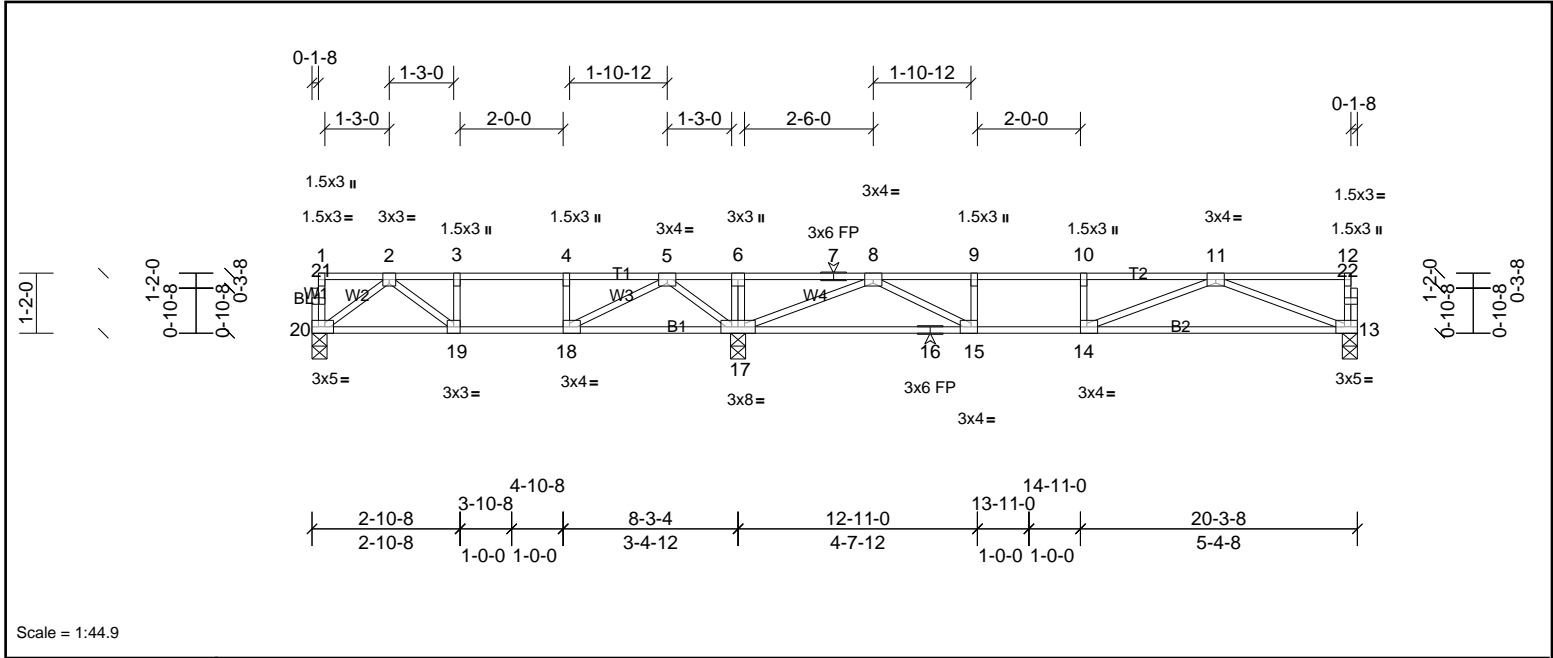
Job 72436653	Truss F201	Truss Type Truss	Qty 2	Ply 1	MUNGO HOMES-RUSSELL 2ND FLR Job Reference (optional)
-----------------	---------------	---------------------	----------	----------	---

UFPI Mid Atlantic LLC, 5631 S. NC 62, Burlington, NC, Joy Perry

Run: 8.81 S Sep 13 2024 Print: 8.810 S Sep 13 2024 MiTek Industries, Inc. Fri Nov 22 13:36:37

Page: 1

ID:FogodrQdAJ2S4tDz1dGQAyyE?Sn-ZLTmM3DVHamj_8xRpbhPcroZiNQHDheEcf?2x2yGdb8



Scale = 1:44.9

Plate Offsets (X, Y): [13:0-2-0,Edge], [14:0-1-8,Edge], [15:0-1-8,Edge], [18:0-1-8,Edge], [20:0-2-0,Edge]

Loading	(psf)	Spacing	2-0-0	CSI	DEFL	in	(loc)	l/defl	L/d	PLATES	GRIP	
TCLL	40.0	Plate Grip DOL	1.00	TC	0.88	Vert(LL)	-0.19	13-14	>749	480	MT20	244/190
TCDL	10.0	Lumber DOL	1.00	BC	0.82	Vert(CT)	-0.30	13-14	>476	360		
BCLL	0.0	Rep Stress Incr	NO	WB	0.40	Horz(CT)	0.03	13	n/a	n/a		
BCDL	5.0	Code	IRC2015/TPI2014	Matrix-SH							Weight: 98 lb	FT = 20%F, 11%E

LUMBER		BRACING	
TOP CHORD	2x4 SP No.2(flat)	TOP CHORD	Structural wood sheathing directly applied or 6-0-0 oc purlins, except end verticals.
BOT CHORD	2x4 SP No.2(flat)	BOT CHORD	Rigid ceiling directly applied or 10-0-0 oc bracing, Except: 6-0-0 oc bracing: 17-18.
WEBS	2x4 SP No.3(flat)		
OTHERS	2x4 SP No.3(flat)		
REACTIONS	(lb/size)	13=601/0-3-8, (min. 0-1-8), 17=1213/0-3-8, (min. 0-1-8), 20=378/0-3-8, (min. 0-1-8)	
	Max Grav	13=621 (LC 7), 17=1213 (LC 1), 20=417 (LC 10)	
FORCES	(lb) - Max. Comp./Max. Ten. - All forces 250 (lb) or less except when shown.		
TOP CHORD	2-3=-757/0, 3-4=-757/0, 4-5=-757/0, 5-6=0/607, 6-7=0/616, 7-8=0/616, 8-9=-1684/0, 9-10=-1684/0, 10-11=-1684/0		
BOT CHORD	19-20=0/465, 18-19=0/757, 17-18=-150/342, 16-17=0/1067, 15-16=0/1067, 14-15=0/1684, 13-14=0/1254		
WEBS	4-18=-268/0, 6-17=-250/0, 9-15=-301/0, 2-20=-579/0, 2-19=0/373, 5-17=-694/0, 5-18=0/663, 8-17=-1471/0, 8-15=0/789, 11-13=-1342/0, 11-14=0/464		

- NOTES**
- 1) Unbalanced floor live loads have been considered for this design.
 - 2) All plates are 1.5x3 MT20 unless otherwise indicated.
 - 3) This truss is designed in accordance with the 2015 International Residential Code sections R502.11.1 and R802.10.2 and referenced standard ANSI/TPI 1.
 - 4) Recommend 2x6 strongbacks, on edge, spaced at 10-00-00 oc and fastened to each truss with 3-10d (0.131" X 3") nails. Strongbacks to be attached to walls at their outer ends or restrained by other means.
 - 5) CAUTION, Do not erect truss backwards.



This design is based upon parameters shown, and is for an individual building component to be installed and loaded vertically. Applicability of design parameters and proper incorporation of component is responsibility of the Building Designer. Building Designer shall verify all design information on this sheet for conformance with conditions and requirements of the specific building and governing codes and ordinances. Building Designer accepts responsibility for the correctness or accuracy of the design information as it may relate to a specific building. Certification is valid only when truss is fabricated by a UFPI plant. Bracing shown is for lateral support of truss members only and does not replace erection and permanent bracing. Refer to Building Component Safety Information (BCSI) for general guidance regarding storage, erection and bracing available from SBCA and Truss Plate Institute.



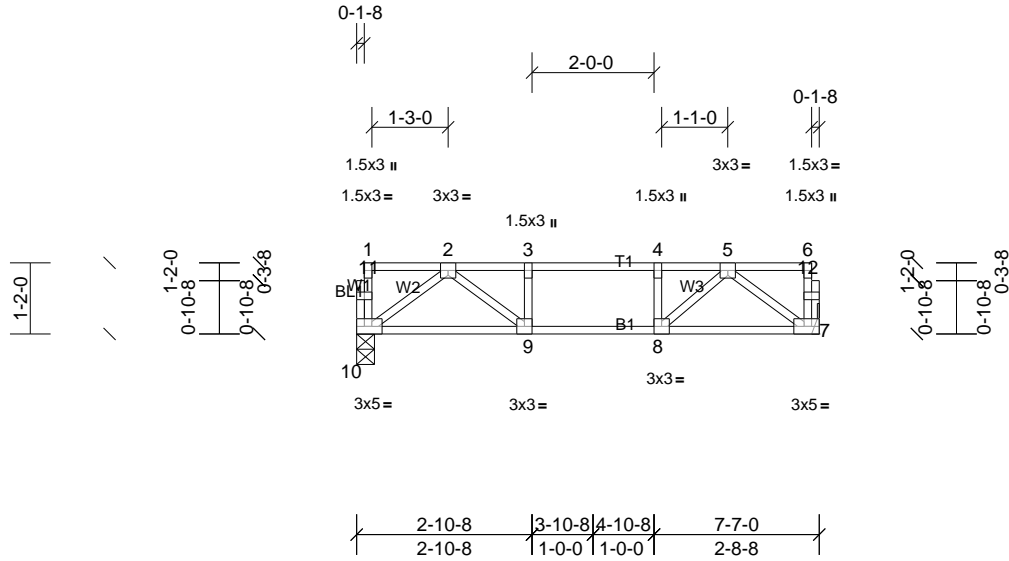
Job 72436653	Truss F202	Truss Type Truss	Qty 1	Ply 1	MUNGO HOMES-RUSSELL 2ND FLR Job Reference (optional)
-----------------	---------------	---------------------	----------	----------	---

UFP Mid Atlantic LLC, 5631 S. NC 62, Burlington, NC, Joy Perry

Run: 8.81 S Sep 13 2024 Print: 8.810 S Sep 13 2024 MiTek Industries, Inc. Fri Nov 22 13:36:37

Page: 1

ID:CUI2sXDme91MoWStEQcyaDyE_Tn-ZLTmM3DVHamj_8xRpbhPcrohKNYfDI8Ecf?2x2yGdb8



Scale = 1:37.9

Plate Offsets (X, Y): [7:0-2-0,Edge], [10:0-2-0,Edge]

Loading	(psf)	Spacing	2-0-0	CSI	DEFL	in	(loc)	l/defl	L/d	PLATES	GRIP	
TCLL	40.0	Plate Grip DOL	1.00	TC	0.33	Vert(LL)	-0.03	9-10	>999	480	MT20	244/190
TCDL	10.0	Lumber DOL	1.00	BC	0.29	Vert(CT)	-0.04	9-10	>999	360		
BCLL	0.0	Rep Stress Incr	YES	WB	0.18	Horz(CT)	0.01	7	n/a	n/a		
BCDL	5.0	Code	IRC2015/TPI2014	Matrix-SH							Weight: 39 lb	FT = 20%F, 11%E

LUMBER		BRACING	
TOP CHORD	2x4 SP No.2(flat)	TOP CHORD	Structural wood sheathing directly applied or 6-0-0 oc purlins, except end verticals.
BOT CHORD	2x4 SP No.2(flat)	BOT CHORD	Rigid ceiling directly applied or 10-0-0 oc bracing.
WEBS	2x4 SP No.3(flat)		
OTHERS	2x4 SP No.3(flat)		

REACTIONS (lb/size) 7=397/ Mechanical, (min. 0-1-8), 10=397/0-3-8, (min. 0-1-8)

FORCES (lb) - Max. Comp./Max. Ten. - All forces 250 (lb) or less except when shown.

TOP CHORD	2-3=-680/0, 3-4=-680/0, 4-5=-680/0
BOT CHORD	9-10=0/437, 8-9=0/680, 7-8=0/437
WEBS	2-10=-544/0, 2-9=0/355, 5-7=-544/0, 5-8=0/375

- NOTES**
- 1) Unbalanced floor live loads have been considered for this design.
 - 2) This truss is designed in accordance with the 2015 International Residential Code sections R502.11.1 and R802.10.2 and referenced standard ANSI/TPI 1.
 - 3) Recommend 2x6 strongbacks, on edge, spaced at 10-00-00 oc and fastened to each truss with 3-10d (0.131" X 3") nails. Strongbacks to be attached to walls at their outer ends or restrained by other means.



This design is based upon parameters shown, and is for an individual building component to be installed and loaded vertically. Applicability of design parameters and proper incorporation of component is responsibility of the Building Designer. Building Designer shall verify all design information on this sheet for conformance with conditions and requirements of the specific building and governing codes and ordinances. Building Designer accepts responsibility for the correctness or accuracy of the design information as it may relate to a specific building. Certification is valid only when truss is fabricated by a UFPI plant. Bracing shown is for lateral support of truss members only and does not replace erection and permanent bracing. Refer to Building Component Safety Information (BCSI) for general guidance regarding storage, erection and bracing available from SBCA and Truss Plate Institute.



Job 72436653	Truss F203	Truss Type Truss	Qty 4	Ply 1	MUNGO HOMES-RUSSELL 2ND FLR Job Reference (optional)
-----------------	---------------	---------------------	----------	----------	---

UFP Mid Atlantic LLC, 5631 S. NC 62, Burlington, NC, Joy Perry

Run: 8.81 S Sep 13 2024 Print: 8.810 S Sep 13 2024 MiTek Industries, Inc. Fri Nov 22 13:36:38

Page: 1

ID:FogodrQdAJ2S4tDz1dGQAyyE?Sn-2Y18ZPE72uuacIWenIDe93Lnxnm4y7xNrJkbTtUyGdb7

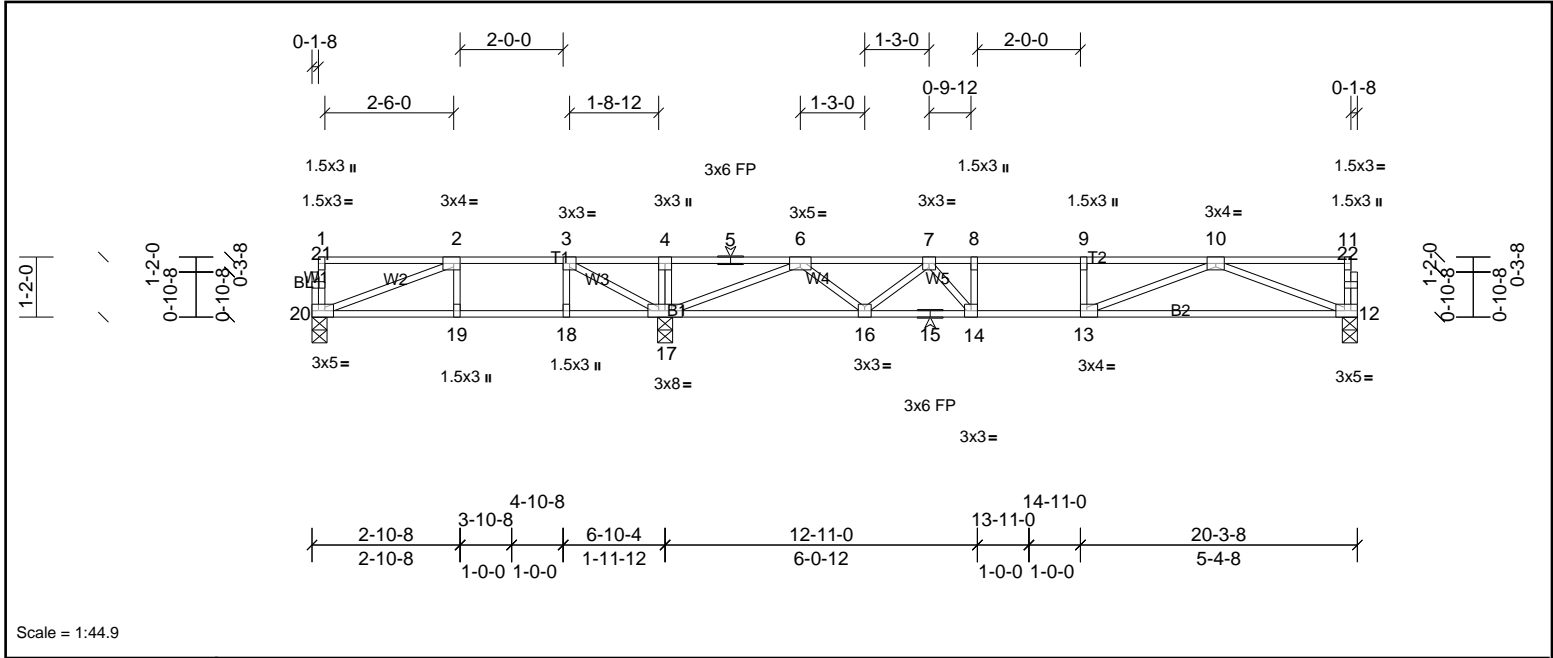


Plate Offsets (X, Y): [2:0-1-8,Edge], [12:0-2-0,Edge], [13:0-1-8,Edge], [20:0-2-0,Edge]

Loading	(psf)	Spacing	2-0-0	CSI	DEFL	in	(loc)	l/defl	L/d	PLATES	GRIP	
TCLL	40.0	Plate Grip DOL	1.00	TC	0.66	Vert(LL)	-0.14	12-13	>999	480	MT20	244/190
TCDL	10.0	Lumber DOL	1.00	BC	0.79	Vert(CT)	-0.23	12-13	>694	360		
BCLL	0.0	Rep Stress Incr	NO	WB	0.46	Horz(CT)	0.04	12	n/a	n/a		
BCDL	5.0	Code	IRC2015/TPI2014	Matrix-SH							Weight: 98 lb	FT = 20%F, 11%E

LUMBER	BRACING
TOP CHORD 2x4 SP No.2(flat)	TOP CHORD Structural wood sheathing directly applied or 6-0-0 oc purlins, except end verticals.
BOT CHORD 2x4 SP No.2(flat)	BOT CHORD Rigid ceiling directly applied or 6-0-0 oc bracing.
WEBS 2x4 SP No.3(flat)	
OTHERS 2x4 SP No.3(flat)	

REACTIONS (lb/size) 12=696/0-3-8, (min. 0-1-8), 17=1187/0-3-8, (min. 0-1-8), 20=309/0-3-8, (min. 0-1-8)
Max Grav 12=705 (LC 7), 17=1192 (LC 8), 20=366 (LC 3)

FORCES (lb) - Max. Comp./Max. Ten. - All forces 250 (lb) or less except when shown.
TOP CHORD 2-3=-588/90, 3-4=-31/517, 4-5=-28/522, 5-6=-28/522, 6-7=-1715/0, 7-8=-2176/0, 8-9=-2176/0, 9-10=-2176/0
BOT CHORD 19-20=-90/588, 18-19=-90/588, 17-18=-90/588, 16-17=0/1314, 15-16=0/2070, 14-15=0/2070, 13-14=0/2176, 12-13=0/1467
WEBS 8-14=-270/0, 2-20=-622/99, 3-17=-833/0, 10-12=-1572/0, 10-13=0/784, 6-17=-1697/0, 6-16=0/559, 7-16=-515/0, 7-14=-46/430

- NOTES**
- 1) Unbalanced floor live loads have been considered for this design.
 - 2) All plates are 1.5x3 MT20 unless otherwise indicated.
 - 3) This truss is designed in accordance with the 2015 International Residential Code sections R502.11.1 and R802.10.2 and referenced standard ANSI/TPI 1.
 - 4) Recommend 2x6 strongbacks, on edge, spaced at 10-00-00 oc and fastened to each truss with 3-10d (0.131" X 3") nails. Strongbacks to be attached to walls at their outer ends or restrained by other means.
 - 5) CAUTION, Do not erect truss backwards.



This design is based upon parameters shown, and is for an individual building component to be installed and loaded vertically. Applicability of design parameters and proper incorporation of component is responsibility of the Building Designer. Building Designer shall verify all design information on this sheet for conformance with conditions and requirements of the specific building and governing codes and ordinances. Building Designer accepts responsibility for the correctness or accuracy of the design information as it may relate to a specific building. Certification is valid only when truss is fabricated by a UFPI plant. Bracing shown is for lateral support of truss members only and does not replace erection and permanent bracing. Refer to Building Component Safety Information (BCSI) for general guidance regarding storage, erection and bracing available from SBCA and Truss Plate Institute.



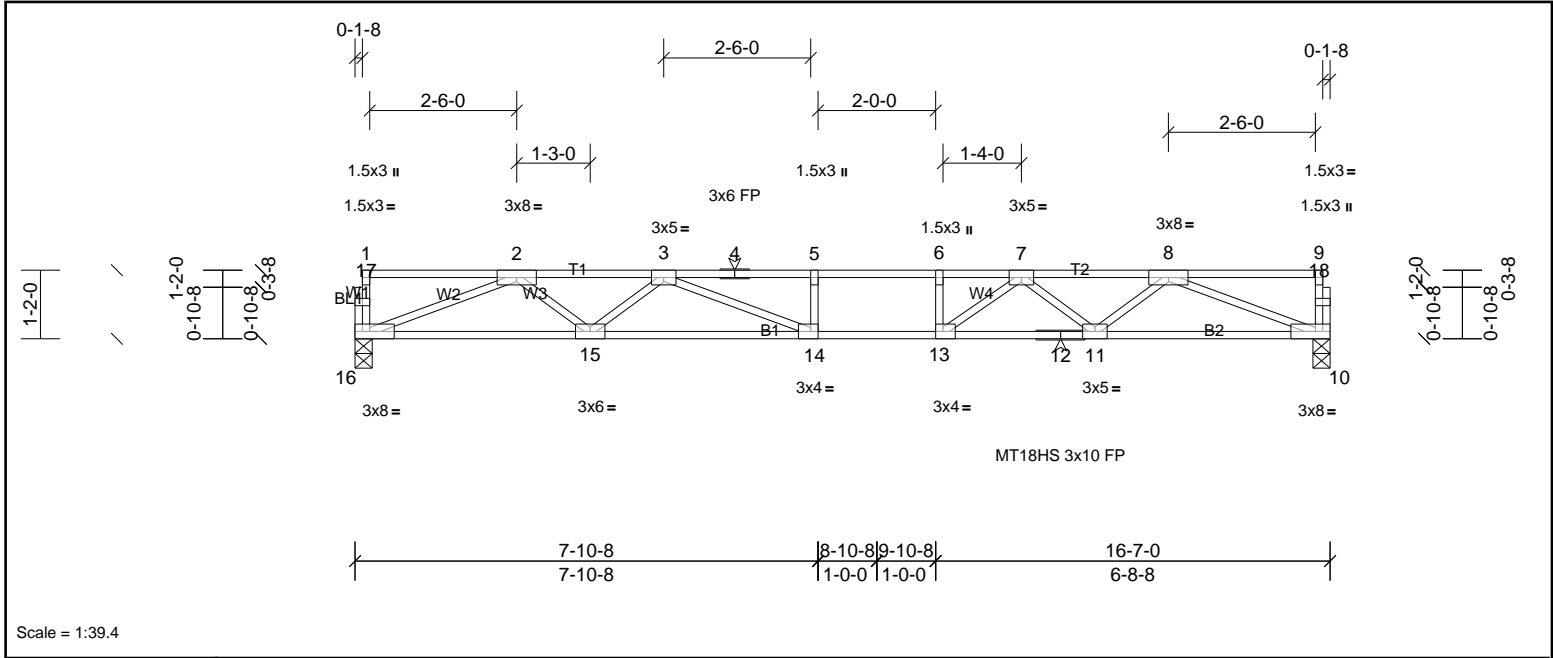
Job 72436653	Truss F204	Truss Type Truss	Qty 1	Ply 1	MUNGO HOMES-RUSSELL 2ND FLR Job Reference (optional)
-----------------	---------------	---------------------	----------	----------	---

UFP Mid Atlantic LLC, 5631 S. NC 62, Burlington, NC, Joy Perry

Run: 8.81 S Sep 13 2024 Print: 8.810 S Sep 13 2024 MiTek Industries, Inc. Fri Nov 22 13:36:38

Page: 1

ID:r1axiF0kt35eqFuBri7h64yE?S1-2Y18ZPE72uuacIWeNIDe93LLsnmNy20NrJkbTUyGdb7



Scale = 1:39.4

Plate Offsets (X, Y):	[13:0-1-8,Edge], [14:0-1-8,Edge]											
Loading	(psf)	Spacing	2-0-0	CSI		DEFL	in	(loc)	l/defl	L/d	PLATES	GRIP
TCLL	40.0	Plate Grip DOL	1.00	TC	0.79	Vert(LL)	-0.26	14-15	>763	480	MT18HS	244/190
TCDL	30.0	Lumber DOL	1.00	BC	0.77	Vert(CT)	-0.47	14-15	>414	360	MT20	244/190
BCLL	0.0	Rep Stress Incr	NO	WB	0.78	Horz(CT)	0.07	10	n/a	n/a		
BCDL	5.0	Code	IRC2015/TPI2014	Matrix-SH							Weight: 80 lb	FT = 20%F, 11%E

LUMBER		BRACING	
TOP CHORD	2x4 SP SS(flat)	TOP CHORD	Structural wood sheathing directly applied or 5-7-1 oc purlins, except end verticals.
BOT CHORD	2x4 SP SS(flat)	BOT CHORD	Rigid ceiling directly applied or 10-0-0 oc bracing.
WEBS	2x4 SP No.3(flat)		
OTHERS	2x4 SP No.3(flat)		

REACTIONS	(lb/size)	10=1216/0-3-8, (min. 0-1-8), 16=1216/0-3-8, (min. 0-1-8)
FORCES	(lb) - Max. Comp./Max. Ten. - All forces 250 (lb) or less except when shown.	
TOP CHORD		2-3=-3459/0, 3-4=-4734/0, 4-5=-4734/0, 5-6=-4734/0, 6-7=-4734/0, 7-8=-3415/0
BOT CHORD		15-16=0/2656, 14-15=0/4190, 13-14=0/4734, 12-13=0/4163, 11-12=0/4163, 10-11=0/2654
WEBS		5-14=-277/0, 6-13=-424/0, 2-16=-2848/0, 2-15=0/1045, 3-15=-952/0, 3-14=0/890, 8-10=-2846/0, 8-11=0/990, 7-11=-974/0, 7-13=0/964

- NOTES**
- 1) Unbalanced floor live loads have been considered for this design.
 - 2) All plates are MT20 plates unless otherwise indicated.
 - 3) This truss is designed in accordance with the 2015 International Residential Code sections R502.11.1 and R802.10.2 and referenced standard ANSI/TPI 1.
 - 4) Recommend 2x6 strongbacks, on edge, spaced at 10-00-00 oc and fastened to each truss with 3-10d (0.131" X 3") nails. Strongbacks to be attached to walls at their outer ends or restrained by other means.



This design is based upon parameters shown, and is for an individual building component to be installed and loaded vertically. Applicability of design parameters and proper incorporation of component is responsibility of the Building Designer. Building Designer shall verify all design information on this sheet for conformance with conditions and requirements of the specific building and governing codes and ordinances. Building Designer accepts responsibility for the correctness or accuracy of the design information as it may relate to a specific building. Certification is valid only when truss is fabricated by a UFPI plant. Bracing shown is for lateral support of truss members only and does not replace erection and permanent bracing. Refer to Building Component Safety Information (BCSI) for general guidance regarding storage, erection and bracing available from SBCA and Truss Plate Institute.



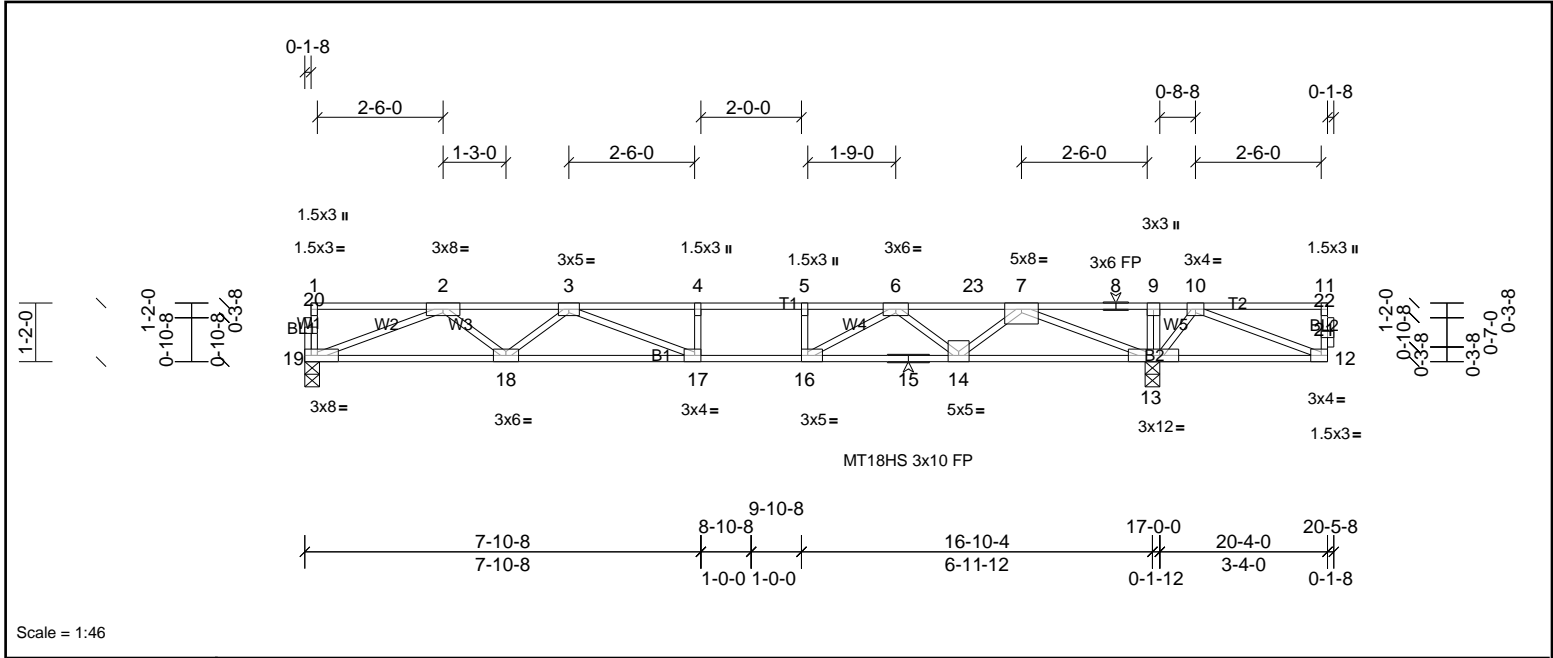
Job 72436653	Truss F205	Truss Type Truss	Qty 10	Ply 1	MUNGO HOMES-RUSSELL 2ND FLR Job Reference (optional)
-----------------	---------------	---------------------	-----------	----------	---

UFP Mid Atlantic LLC, 5631 S. NC 62, Burlington, NC, Joy Perry

Run: 8.81 S Sep 13 2024 Print: 8.810 S Sep 13 2024 MiTek Industries, Inc. Fri Nov 22 13:36:38

Page: 1

ID:z4viZKaDoV0_zU_D54TiW_yE?RI-2Y18ZPE72uuacIWeNIDe93Ll4nmjy1mNrJkbTUyGdb7



Scale = 1:46

Plate Offsets (X, Y):		[16:0-1-8,Edge], [17:0-1-8,Edge]										
Loading	(psf)	Spacing	2-0-0	CSI		DEFL	in	(loc)	l/defl	L/d	PLATES	GRIP
TCLL	40.0	Plate Grip DOL	1.00	TC	0.78	Vert(LL)	-0.27	17-18	>741	480	MT18HS	244/190
TCDL	30.0	Lumber DOL	1.00	BC	0.81	Vert(CT)	-0.49	17-18	>405	360	MT20	244/190
BCLL	0.0	Rep Stress Incr	NO	WB	0.86	Horz(CT)	0.07	13	n/a	n/a		
BCDL	5.0	Code	IRC2015/TPI2014	Matrix-SH							Weight: 100 lb	FT = 20%F, 11%E

LUMBER		BRACING	
TOP CHORD	2x4 SP SS(flat)	TOP CHORD	Structural wood sheathing directly applied or 5-6-15 oc purlins, except end verticals.
BOT CHORD	2x4 SP SS(flat)	BOT CHORD	Rigid ceiling directly applied or 10-0-0 oc bracing, Except: 6-0-0 oc bracing: 12-13.
WEBS	2x4 SP No.3(flat)		
OTHERS	2x4 SP No.3(flat)		

REACTIONS	(lb/size)	13=2074/0-3-8, (min. 0-1-8), 19=1191/0-3-8, (min. 0-1-8)
	Max Grav	13=2074 (LC 1), 19=1219 (LC 3)

FORCES	(lb) - Max. Comp./Max. Ten. - All forces 250 (lb) or less except when shown.
TOP CHORD	2-3=-3470/0, 3-4=-4759/0, 4-5=-4759/0, 5-6=-4759/0, 6-23=-3174/0, 7-23=-3174/0, 7-8=0/998, 8-9=0/998, 9-10=0/992
BOT CHORD	18-19=0/2664, 17-18=0/4205, 16-17=0/4759, 15-16=0/4003, 14-15=0/4003, 13-14=0/2339, 12-13=-477/0
WEBS	4-17=-278/0, 5-16=-435/0, 9-13=-324/0, 2-19=-2856/0, 2-18=0/1049, 3-18=-957/0, 3-17=0/895, 7-13=-3141/0, 7-14=0/1126, 6-14=-1129/0, 6-16=0/1224, 10-12=0/515, 10-13=-797/0

- NOTES**
- Unbalanced floor live loads have been considered for this design.
 - All plates are MT20 plates unless otherwise indicated.
 - This truss is designed in accordance with the 2015 International Residential Code sections R502.11.1 and R802.10.2 and referenced standard ANSI/TPI 1.
 - Load case(s) 1 has/have been modified. Building designer must review loads to verify that they are correct for the intended use of this truss.
 - Recommend 2x6 strongbacks, on edge, spaced at 10-00-00 oc and fastened to each truss with 3-10d (0.131" X 3") nails. Strongbacks to be attached to walls at their outer ends or restrained by other means.
 - CAUTION, Do not erect truss backwards.

LOAD CASE(S)	Standard
1)	Dead + Floor Live (balanced): Lumber Increase=1.00, Plate Increase=1.00
	Uniform Loads (lb/ft)
	Vert: 12-19=-10, 1-23=-140, 11-23=-176



This design is based upon parameters shown, and is for an individual building component to be installed and loaded vertically. Applicability of design parameters and proper incorporation of component is responsibility of the Building Designer. Building Designer shall verify all design information on this sheet for conformance with conditions and requirements of the specific building and governing codes and ordinances. Building Designer accepts responsibility for the correctness or accuracy of the design information as it may relate to a specific building. Certification is valid only when truss is fabricated by a UFPI plant. Bracing shown is for lateral support of truss members only and does not replace erection and permanent bracing. Refer to Building Component Safety Information (BCSI) for general guidance regarding storage, erection and bracing available from SBCA and Truss Plate Institute.



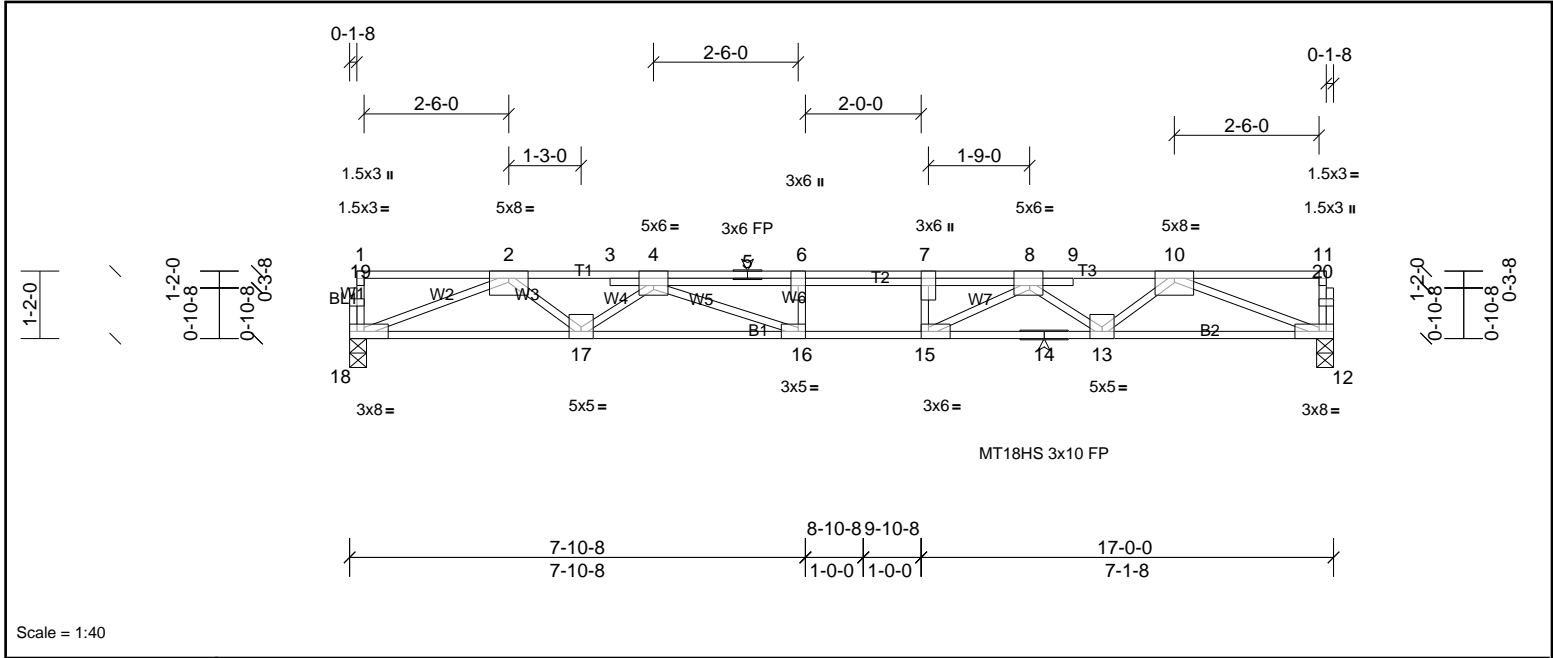
Job 72436653	Truss F206	Truss Type Truss	Qty 7	Ply 1	MUNGO HOMES-RUSSELL 2ND FLR Job Reference (optional)
-----------------	---------------	---------------------	----------	----------	---

UFP Mid Atlantic LLC, 5631 S. NC 62, Burlington, NC, Joy Perry

Run: 8.81 S Sep 13 2024 Print: 8.810 S Sep 13 2024 MiTek Industries, Inc. Fri Nov 22 13:36:38

Page: 1

ID:w?5J7e0kZYtI0k8Ce68zayE?Qk-2Y18ZPE72uuaciWeNIDe93LmznmNy1TNRJkbTUyGdb7



Scale = 1:40

Plate Offsets (X, Y): [4:0-3-0,Edge], [7:0-3-0,Edge], [8:0-2-12,Edge], [15:0-1-8,Edge], [16:0-1-8,Edge]

Loading	(psf)	Spacing	2-0-0	CSI	DEFL	in	(loc)	l/defl	L/d	PLATES	GRIP	
TCLL	40.0	Plate Grip DOL	1.00	TC	0.72	Vert(LL)	-0.22	16-17	>934	480	MT18HS	244/190
TCDL	30.0	Lumber DOL	1.00	BC	0.77	Vert(CT)	-0.46	16-17	>435	360	MT20	244/190
BCLL	0.0	Rep Stress Incr	NO	WB	0.88	Horz(CT)	0.09	12	n/a	n/a		
BCDL	5.0	Code	IRC2015/TPI2014	Matrix-SH							Weight: 93 lb	FT = 20%F, 11%E

LUMBER		BRACING	
TOP CHORD	2x4 SP No.1(flat)	TOP CHORD	Structural wood sheathing directly applied or 5-8-5 oc purlins, except end verticals.
BOT CHORD	2x4 SP SS(flat)	BOT CHORD	Rigid ceiling directly applied or 10-0-0 oc bracing.
WEBS	2x4 SP No.3(flat)		
OTHERS	2x4 SP No.3(flat)		

REACTIONS	(lb/size)	12=1330/0-3-8, (min. 0-1-8), 18=1360/0-3-8, (min. 0-1-8)
FORCES (lb) - Max. Comp./Max. Ten. - All forces 250 (lb) or less except when shown.		
TOP CHORD		2-3=-4028/0, 3-4=-4035/0, 4-5=-5943/0, 5-6=-5943/0, 6-7=-5943/0, 7-8=-5943/0, 8-9=-3887/0, 9-10=-3884/0
BOT CHORD		17-18=0/2993, 16-17=0/5068, 15-16=0/5943, 14-15=0/4871, 13-14=0/4871, 12-13=0/2923
WEBS		6-16=-395/0, 7-15=-621/0, 2-18=-3210/0, 2-17=0/1347, 4-17=-1321/0, 4-16=0/1206, 10-12=-3135/0, 10-13=0/1251, 8-13=-1254/0, 8-15=0/1464

- NOTES**
- 1) Unbalanced floor live loads have been considered for this design.
 - 2) All plates are MT20 plates unless otherwise indicated.
 - 3) This truss is designed in accordance with the 2015 International Residential Code sections R502.11.1 and R802.10.2 and referenced standard ANSI/TPI 1.
 - 4) Load case(s) 1 has/have been modified. Building designer must review loads to verify that they are correct for the intended use of this truss.
 - 5) Recommend 2x6 strongbacks, on edge, spaced at 10-00-00 oc and fastened to each truss with 3-10d (0.131" X 3") nails. Strongbacks to be attached to walls at their outer ends or restrained by other means.

LOAD CASE(S) Standard

1) Dead + Floor Live (balanced): Lumber Increase=1.00, Plate Increase=1.00
Uniform Loads (lb/ft)
Vert: 12-18=-10, 1-3=-140, 3-7=-176, 7-11=-140



This design is based upon parameters shown, and is for an individual building component to be installed and loaded vertically. Applicability of design parameters and proper incorporation of component is responsibility of the Building Designer. Building Designer shall verify all design information on this sheet for conformance with conditions and requirements of the specific building and governing codes and ordinances. Building Designer accepts responsibility for the correctness or accuracy of the design information as it may relate to a specific building. Certification is valid only when truss is fabricated by a UFPI plant. Bracing shown is for lateral support of truss members only and does not replace erection and permanent bracing. Refer to Building Component Safety Information (BCSI) for general guidance regarding storage, erection and bracing available from SBCA and Truss Plate Institute.



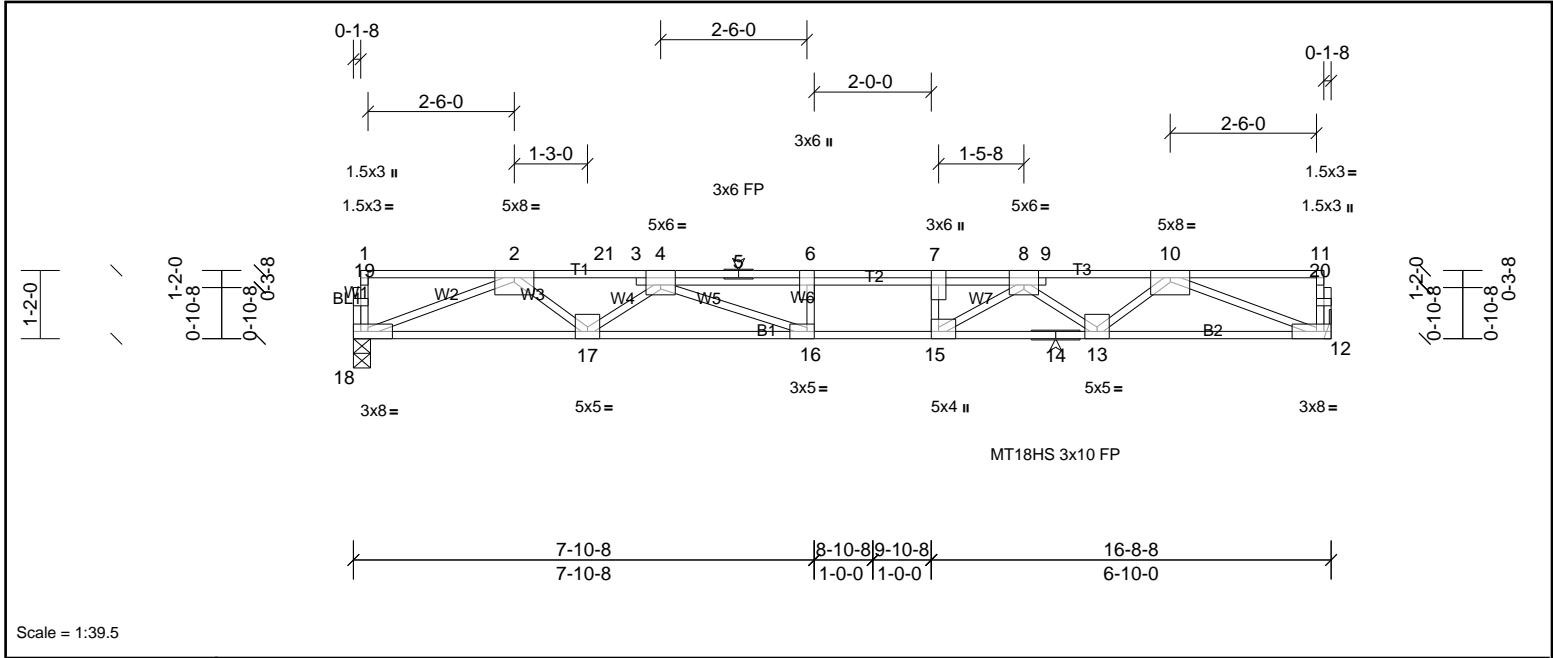
Job 72436653	Truss F207	Truss Type Truss	Qty 3	Ply 1	MUNGO HOMES-RUSSELL 2ND FLR Job Reference (optional)
-----------------	---------------	---------------------	----------	----------	---

UFP Mid Atlantic LLC, 5631 S. NC 62, Burlington, NC, Joy Perry

Run: 8.81 S Sep 13 2024 Print: 8.810 S Sep 13 2024 MiTek Industries, Inc. Fri Nov 22 13:36:38

Page: 1

ID:DdXO9rlsgxZTAiZlCgYnyeyE?QM-2Y18ZPE7ZuuacIWeNiDe93LkUnnWy1fNrJkbTUyGdb7



Scale = 1:39.5

Plate Offsets (X, Y):	[4:0-3-0,Edge], [7:0-3-0,Edge], [8:0-3-0,Edge], [15:0-1-8,Edge], [16:0-1-8,Edge]											
Loading	(psf)	Spacing	2-0-0	CSI		DEFL	in	(loc)	l/defl	L/d	PLATES	GRIP
TCLL	40.0	Plate Grip DOL	1.00	TC	0.88	Vert(LL)	-0.21	16-17	>946	480	MT18HS	244/190
TCDL	30.0	Lumber DOL	1.00	BC	0.76	Vert(CT)	-0.45	16-17	>437	360	MT20	244/190
BCLL	0.0	Rep Stress Incr	NO	WB	0.87	Horz(CT)	0.08	12	n/a	n/a		
BCDL	5.0	Code	IRC2015/TPI2014	Matrix-SH							Weight: 90 lb	FT = 20%F, 11%E

LUMBER		BRACING	
TOP CHORD	2x4 SP No.1(flat)	TOP CHORD	Structural wood sheathing directly applied or 4-11-2 oc purlins, except end verticals.
BOT CHORD	2x4 SP SS(flat)	BOT CHORD	Rigid ceiling directly applied or 10-0-0 oc bracing.
WEBS	2x4 SP No.3(flat)		
OTHERS	2x4 SP No.3(flat)		

REACTIONS	(lb/size)	12=1312/ Mechanical, (min. 0-1-8), 18=1342/0-3-8, (min. 0-1-8)
FORCES	(lb) - Max. Comp./Max. Ten. - All forces 250 (lb) or less except when shown.	
TOP CHORD		2-21=-3947/0, 3-21=-3947/0, 3-4=-3940/0, 4-5=-5760/0, 5-6=-5760/0, 6-7=-5760/0, 7-8=-5760/0, 8-9=-3778/0, 9-10=-3800/0
BOT CHORD		17-18=0/2953, 16-17=0/4941, 15-16=0/5760, 14-15=0/4748, 13-14=0/4748, 12-13=0/2882
WEBS		6-16=-374/0, 7-15=-697/0, 2-18=-3167/0, 2-17=0/1293, 4-17=-1263/0, 4-16=0/1134, 10-12=-3091/0, 10-13=0/1195, 8-13=-1204/0, 8-15=0/1432

- NOTES**
- Unbalanced floor live loads have been considered for this design.
 - All plates are MT20 plates unless otherwise indicated.
 - This truss is designed in accordance with the 2015 International Residential Code sections R502.11.1 and R802.10.2 and referenced standard ANSI/TPI 1.
 - Load case(s) 1 has/have been modified. Building designer must review loads to verify that they are correct for the intended use of this truss.
 - Recommend 2x6 strongbacks, on edge, spaced at 10-00-00 oc and fastened to each truss with 3-10d (0.131" X 3") nails. Strongbacks to be attached to walls at their outer ends or restrained by other means.

LOAD CASE(S)	Standard
1) Dead + Floor Live (balanced): Lumber Increase=1.00, Plate Increase=1.00	
Uniform Loads (lb/ft)	
Vert: 12-18=-10, 1-21=-140, 7-21=-176, 7-11=-140	



This design is based upon parameters shown, and is for an individual building component to be installed and loaded vertically. Applicability of design parameters and proper incorporation of component is responsibility of the Building Designer. Building Designer shall verify all design information on this sheet for conformance with conditions and requirements of the specific building and governing codes and ordinances. Building Designer accepts responsibility for the correctness or accuracy of the design information as it may relate to a specific building. Certification is valid only when truss is fabricated by a UFPI plant. Bracing shown is for lateral support of truss members only and does not replace erection and permanent bracing. Refer to Building Component Safety Information (BCSI) for general guidance regarding storage, erection and bracing available from SBCA and Truss Plate Institute.



Job 72436653	Truss FG1	Truss Type Truss	Qty 1	Ply 1	MUNGO HOMES-RUSSELL 2ND FLR Job Reference (optional)
-----------------	--------------	---------------------	----------	----------	---

UFP Mid Atlantic LLC, 5631 S. NC 62, Burlington, NC, Joy Perry

Run: 8.81 S Sep 13 2024 Print: 8.810 S Sep 13 2024 MiTek Industries, Inc. Fri Nov 22 13:36:39

Page: 1

ID: jHq03Cnxq0m89H4Hdh6wJfYe?FQ-WkbWnlFmpC0RER5qx0kthGtv9B6khVxX4zU80wyGdb6

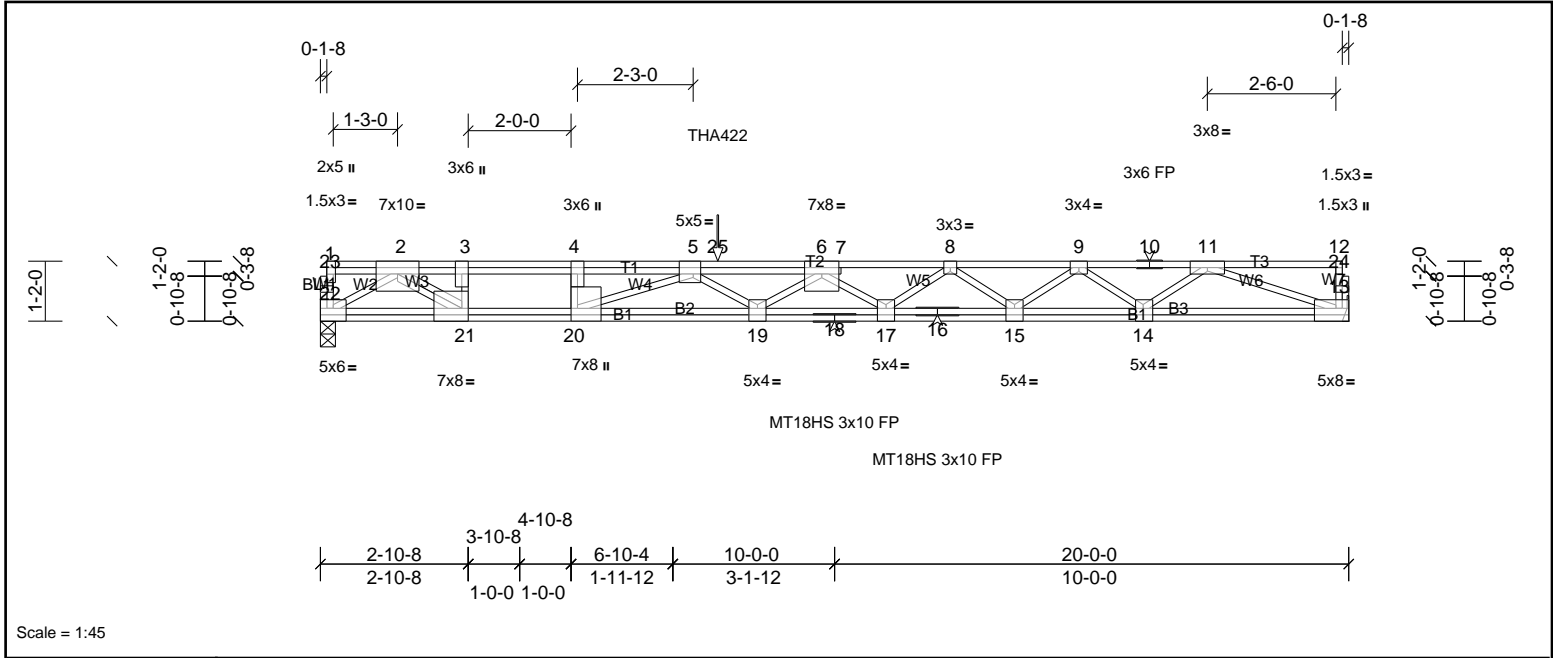


Plate Offsets (X, Y): [4:0-3-0,Edge], [5:0-1-12,Edge], [13:Edge,0-3-0], [14:0-1-12,Edge], [15:0-2-0,Edge], [17:0-2-0,Edge], [19:0-2-0,Edge], [20:0-3-0,Edge], [21:0-1-8,Edge], [22:0-3-0,Edge]

Loading	(psf)	Spacing	2-0-0	CSI	DEFL	in	(loc)	l/defl	L/d	PLATES	GRIP	
TCLL	40.0	Plate Grip DOL	1.00	TC	0.88	Vert(LL)	-0.44	19-20	>530	480	MT18HS	244/190
TCDL	10.0	Lumber DOL	1.00	BC	0.82	Vert(CT)	-0.61	19-20	>386	360	MT20	244/190
BCLL	0.0	Rep Stress Incr	NO	WB	0.81	Horz(CT)	0.04	13	n/a	n/a		
BCDL	5.0	Code	IRC2015/TPI2014	Matrix-SH								Weight: 141 lb FT = 20%F, 11%E

LUMBER	BRACING
TOP CHORD 2x4 SP SS(flat)	TOP CHORD Structural wood sheathing directly applied or 4-5-2 oc purlins, except end verticals.
BOT CHORD 2x4 SP SS(flat)	BOT CHORD Rigid ceiling directly applied or 10-0-0 oc bracing.
WEBS 2x4 SP No.3(flat)	
OTHERS 2x4 SP No.3(flat)	

REACTIONS	(lb/size)	13=1163/ Mechanical, (min. 0-1-8), 22=1213/0-3-8, (min. 0-1-8)
	Max Grav	13=1179 (LC 4), 22=1213 (LC 1)

FORCES	(lb) - Max. Comp./Max. Ten. - All forces 250 (lb) or less except when shown.
TOP CHORD	2-3=-4059/0, 3-4=-4059/0, 4-5=-4059/0, 5-25=-6740/0, 6-25=-6740/0, 6-7=-6111/0, 7-8=-6165/0, 8-9=-5275/0, 9-10=-3700/0, 10-11=-3700/0
BOT CHORD	21-22=0/1861, 20-21=0/4059, 19-20=0/6618, 18-19=0/6585, 17-18=0/6585, 16-17=0/5835, 15-16=0/5835, 14-15=0/4654, 13-14=0/2845
WEBS	3-21=-1260/0, 4-20=0/586, 2-22=-2150/0, 11-13=-2997/0, 11-14=0/1089, 9-14=-1213/0, 9-15=0/788, 8-15=-711/0, 8-17=0/420, 6-17=-520/0, 5-20=-2794/0, 2-21=0/2865

- NOTES**
- Unbalanced floor live loads have been considered for this design.
 - All plates are MT20 plates unless otherwise indicated.
 - This truss is designed in accordance with the 2015 International Residential Code sections R502.11.1 and R802.10.2 and referenced standard ANSI/TPI 1.
 - Recommend 2x6 strongbacks, on edge, spaced at 10-00-00 oc and fastened to each truss with 3-10d (0.131" X 3") nails. Strongbacks to be attached to walls at their outer ends or restrained by other means.
 - Use Simpson Strong-Tie THA422 (6-16d Girder, 6-10d Truss) or equivalent at 7-8-12 from the left end to connect truss(es) to front face of top chord.
 - Fill all nail holes where hanger is in contact with lumber.
 - In the LOAD CASE(S) section, loads applied to the face of the truss are noted as front (F) or back (B).

LOAD CASE(S)	Standard
1) Dead + Floor Live (balanced): Lumber Increase=1.00, Plate Increase=1.00	
Uniform Loads (lb/ft)	
	Vert: 13-22=-10, 1-12=-100
Concentrated Loads (lb)	
	Vert: 25=-216 (F)



This design is based upon parameters shown, and is for an individual building component to be installed and loaded vertically. Applicability of design parameters and proper incorporation of component is responsibility of the Building Designer. Building Designer shall verify all design information on this sheet for conformance with conditions and requirements of the specific building and governing codes and ordinances. Building Designer accepts responsibility for the correctness or accuracy of the design information as it may relate to a specific building. Certification is valid only when truss is fabricated by a UFPI plant. Bracing shown is for lateral support of truss members only and does not replace erection and permanent bracing. Refer to Building Component Safety Information (BCSI) for general guidance regarding storage, erection and bracing available from SBCA and Truss Plate Institute.



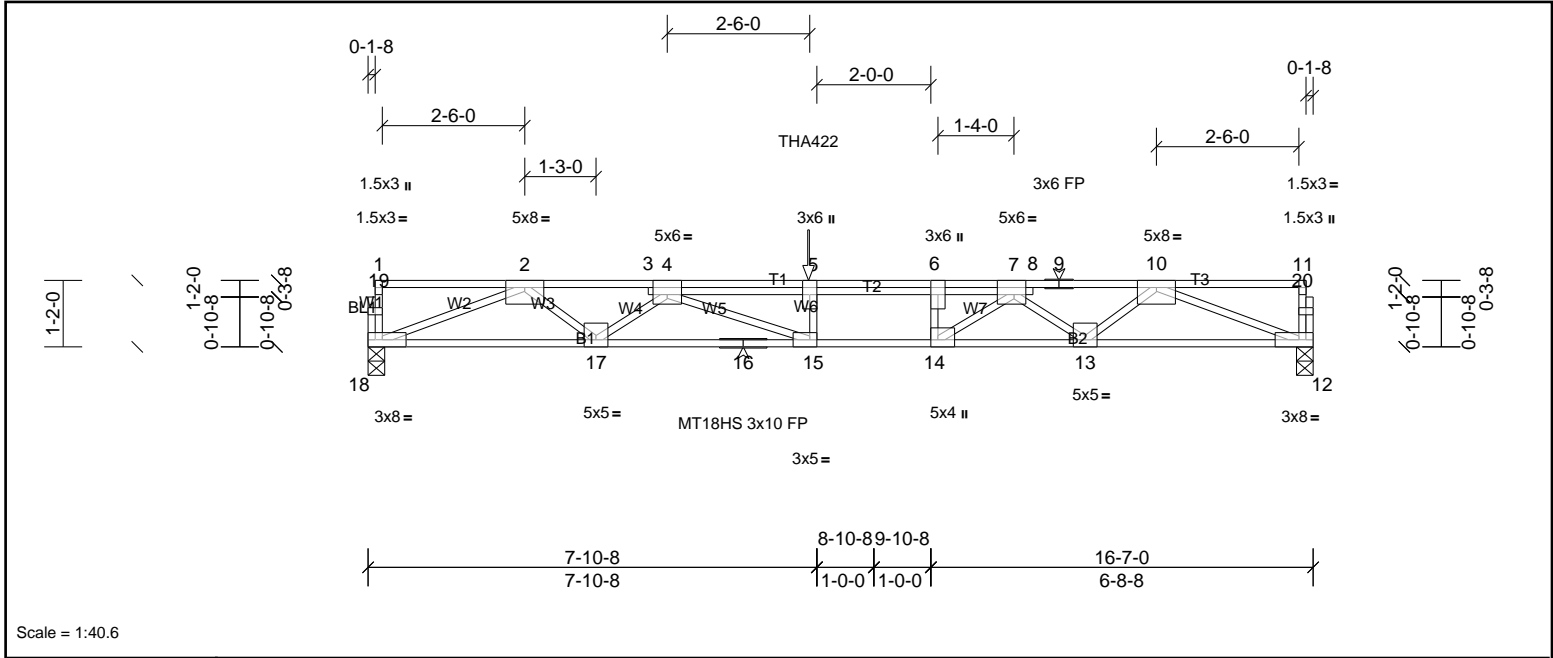
Job 72436653	Truss FG2	Truss Type Truss	Qty 1	Ply 1	MUNGO HOMES-RUSSELL 2ND FLR Job Reference (optional)
-----------------	--------------	---------------------	----------	----------	---

UFP Mid Atlantic LLC, 5631 S. NC 62, Burlington, NC, Joy Perry

Run: 8.81 S Sep 13 2024 Print: 8.810 S Sep 13 2024 MiTek Industries, Inc. Fri Nov 22 13:36:39

Page: 1

ID:9wPDsvsVaW4cYkLCLVRSonyE_LD-WkbWnlFmpC0RER5qx0kthGtupB7dhUGX4zU80wyGdb6



Scale = 1:40.6

Plate Offsets (X, Y):	[4:0-3-0,Edge], [6:0-3-0,Edge], [7:0-2-8,Edge], [14:0-1-8,Edge], [15:0-1-8,Edge]											
Loading	(psf)	Spacing	2-0-0	CSI		DEFL	in	(loc)	l/defl	L/d	PLATES	GRIP
TCLL	40.0	Plate Grip DOL	1.00	TC	0.91	Vert(LL)	-0.26	15-17	>764	480	MT18HS	244/190
TCDL	30.0	Lumber DOL	1.00	BC	0.77	Vert(CT)	-0.45	15-17	>435	360	MT20	244/190
BCLL	0.0	Rep Stress Incr	NO	WB	0.84	Horz(CT)	0.08	12	n/a	n/a		
BCDL	5.0	Code	IRC2015/TPI2014	Matrix-SH							Weight: 89 lb	FT = 20%F, 11%E

LUMBER		BRACING	
TOP CHORD	2x4 SP No.1(flat)	TOP CHORD	Structural wood sheathing directly applied or 4-10-5 oc purlins, except end verticals.
BOT CHORD	2x4 SP SS(flat)	BOT CHORD	Rigid ceiling directly applied or 10-0-0 oc bracing.
WEBS	2x4 SP No.3(flat)		
OTHERS	2x4 SP No.3(flat)		

REACTIONS	(lb/size)	12=1299/0-3-8, (min. 0-1-8), 18=1310/0-3-8, (min. 0-1-8)
FORCES	(lb) - Max. Comp./Max. Ten. - All forces 250 (lb) or less except when shown.	
TOP CHORD		2-3=-3825/0, 3-4=-3798/0, 4-5=-5674/0, 5-6=-5674/0, 6-7=-5674/0, 7-8=-3718/0, 8-9=-3749/0, 9-10=-3749/0
BOT CHORD		17-18=0/2873, 16-17=0/4772, 15-16=0/4772, 14-15=0/5674, 13-14=0/4681, 12-13=0/2851
WEBS		5-15=-353/0, 6-14=-803/0, 10-12=-3058/0, 10-13=0/1169, 7-13=-1184/0, 7-14=0/1564, 2-18=-3081/0, 2-17=0/1239, 4-17=-1203/0, 4-15=0/1071

- NOTES**
- Unbalanced floor live loads have been considered for this design.
 - All plates are MT20 plates unless otherwise indicated.
 - This truss is designed in accordance with the 2015 International Residential Code sections R502.11.1 and R802.10.2 and referenced standard ANSI/TPI 1.
 - Recommend 2x6 strongbacks, on edge, spaced at 10-00-00 oc and fastened to each truss with 3-10d (0.131" X 3") nails. Strongbacks to be attached to walls at their outer ends or restrained by other means.
 - Use Simpson Strong-Tie THA422 (6-16d Girder, 6-10d Truss) or equivalent at 7-8-12 from the left end to connect truss(es) to back face of top chord.
 - Fill all nail holes where hanger is in contact with lumber.
 - In the LOAD CASE(S) section, loads applied to the face of the truss are noted as front (F) or back (B).

LOAD CASE(S)	Standard
1) Dead + Floor Live (balanced): Lumber Increase=1.00, Plate Increase=1.00	
Uniform Loads (lb/ft)	
Vert: 12-18=-10, 1-11=-140	
Concentrated Loads (lb)	
Vert: 5=-176 (B)	



This design is based upon parameters shown, and is for an individual building component to be installed and loaded vertically. Applicability of design parameters and proper incorporation of component is responsibility of the Building Designer. Building Designer shall verify all design information on this sheet for conformance with conditions and requirements of the specific building and governing codes and ordinances. Building Designer accepts responsibility for the correctness or accuracy of the design information as it may relate to a specific building. Certification is valid only when truss is fabricated by a UFPI plant. Bracing shown is for lateral support of truss members only and does not replace erection and permanent bracing. Refer to Building Component Safety Information (BCSI) for general guidance regarding storage, erection and bracing available from SBCA and Truss Plate Institute.



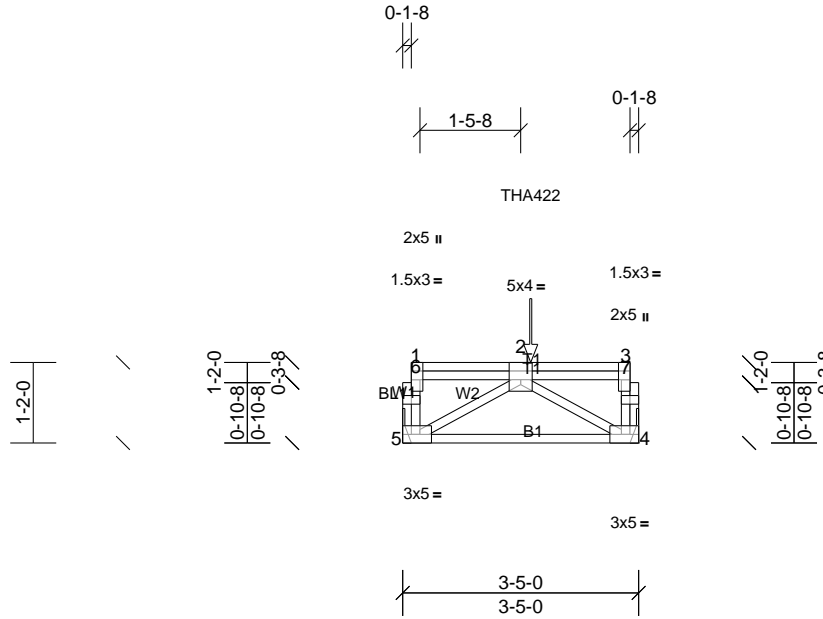
Job 72436653	Truss FG3	Truss Type Truss	Qty 1	Ply 1	MUNGO HOMES-RUSSELL 2ND FLR Job Reference (optional)
-----------------	--------------	---------------------	----------	----------	---

UFPI Mid Atlantic LLC, 5631 S. NC 62, Burlington, NC, Joy Perry

Run: 8.81 S Sep 13 2024 Print: 8.810 S Sep 13 2024 MiTek Industries, Inc. Fri Nov 22 13:36:39

Page: 1

ID:2YMeRnnRhJzYswzaSXeE7TyE?l?-WkbWnlFmpC0RER5qx0kthGt66BFRhgpX4zU80wyGdb6



Scale = 1:33.5

Plate Offsets (X, Y): [2:0-2-0,Edge], [3:0-3-0,Edge], [4:0-2-0,Edge], [5:0-2-0,Edge]

Loading	(psf)	Spacing	2-0-0	CSI	DEFL	in	(loc)	l/defl	L/d	PLATES	GRIP	
TCLL	40.0	Plate Grip DOL	1.00	TC	0.05	Vert(LL)	n/a	-	n/a	999	MT20	244/190
TCDL	10.0	Lumber DOL	1.00	BC	0.20	Vert(CT)	-0.02	4-5	>999	360		
BCLL	0.0	Rep Stress Incr	NO	WB	0.10	Horz(CT)	0.00	4	n/a	n/a		
BCDL	5.0	Code	IRC2015/TPI2014	Matrix-P							Weight: 24 lb	FT = 20%F, 11%E

LUMBER	BRACING
TOP CHORD 2x4 SP No.2(flat)	TOP CHORD Structural wood sheathing directly applied or 3-5-0 oc purlins, except end verticals.
BOT CHORD 2x4 SP No.2(flat)	BOT CHORD Rigid ceiling directly applied or 10-0-0 oc bracing.
WEBS 2x4 SP No.3(flat)	
OTHERS 2x4 SP No.3(flat)	

REACTIONS (lb/size) 4=316/ Mechanical, (min. 0-1-8), 5=316/ Mechanical, (min. 0-1-8)

FORCES (lb) - Max. Comp./Max. Ten. - All forces 250 (lb) or less except when shown.

BOT CHORD 4-5=0/376

WEBS 2-4=437/0, 2-5=437/0

- NOTES**
- This truss is designed in accordance with the 2015 International Residential Code sections R502.11.1 and R802.10.2 and referenced standard ANSI/TPI 1.
 - Recommend 2x6 strongbacks, on edge, spaced at 10-00-00 oc and fastened to each truss with 3-10d (0.131" X 3") nails. Strongbacks to be attached to walls at their outer ends or restrained by other means.
 - Use Simpson Strong-Tie THA422 (6-16d Girder, 6-10d Truss) or equivalent at 1-10-4 from the left end to connect truss(es) to back face of top chord.
 - Fill all nail holes where hanger is in contact with lumber.
 - In the LOAD CASE(S) section, loads applied to the face of the truss are noted as front (F) or back (B).

LOAD CASE(S) Standard

- Dead + Floor Live (balanced): Lumber Increase=1.00, Plate Increase=1.00
Uniform Loads (lb/ft)
Vert: 4-5=-10, 1-3=-100
Concentrated Loads (lb)
Vert: 2=-297 (B)



This design is based upon parameters shown, and is for an individual building component to be installed and loaded vertically. Applicability of design parameters and proper incorporation of component is responsibility of the Building Designer. Building Designer shall verify all design information on this sheet for conformance with conditions and requirements of the specific building and governing codes and ordinances. Building Designer accepts responsibility for the correctness or accuracy of the design information as it may relate to a specific building. Certification is valid only when truss is fabricated by a UFPI plant. Bracing shown is for lateral support of truss members only and does not replace erection and permanent bracing. Refer to Building Component Safety Information (BCSI) for general guidance regarding storage, erection and bracing available from SBCA and Truss Plate Institute.



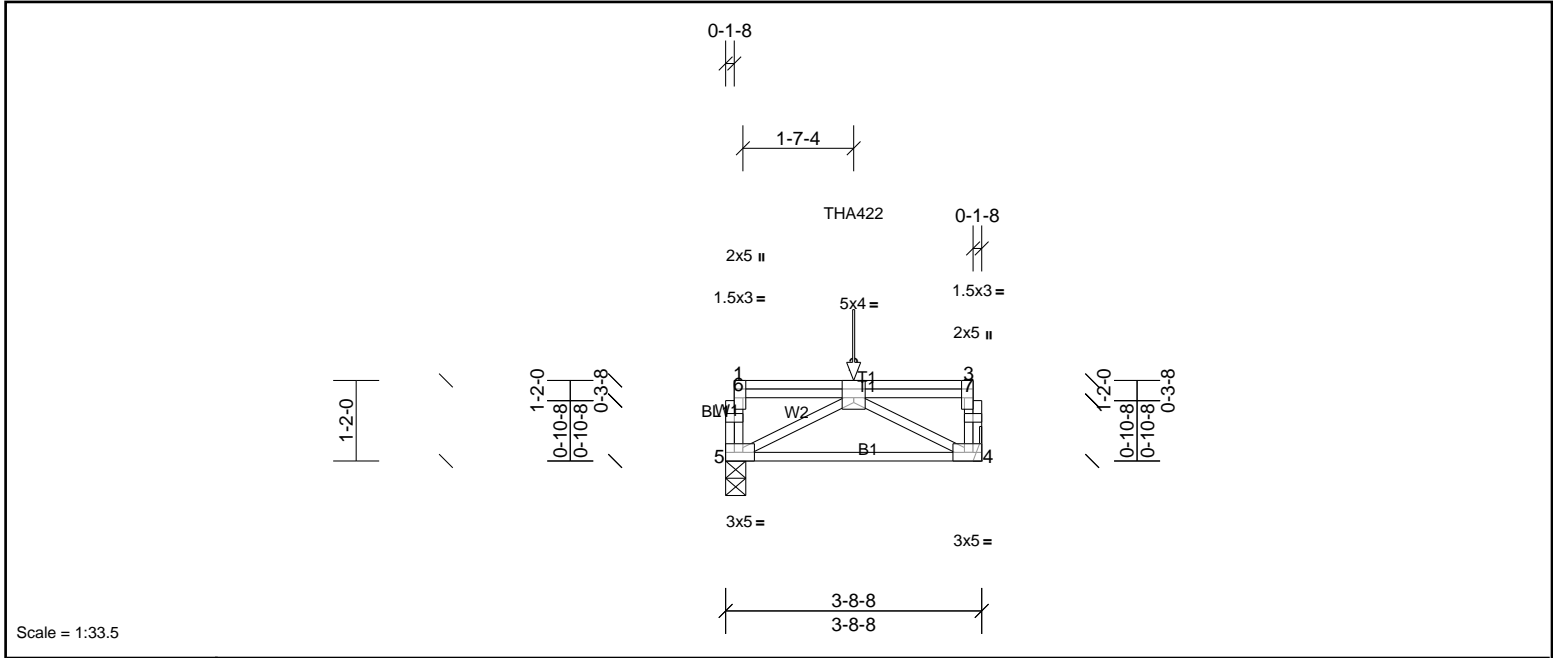
Job 72436653	Truss FG4	Truss Type Truss	Qty 1	Ply 1	MUNGO HOMES-RUSSELL 2ND FLR Job Reference (optional)
-----------------	--------------	---------------------	----------	----------	---

UFP Mid Atlantic LLC, 5631 S. NC 62, Burlington, NC, Joy Perry

Run: 8.81 S Sep 13 2024 Print: 8.810 S Sep 13 2024 MiTek Industries, Inc. Fri Nov 22 13:36:39

Page: 1

ID:gl3Um8drLWacy1RkjOML90yE?EK-WkbWnlFmpC0RER5qx0kthGt5DBBWhclX4zU80wyGdb6



Scale = 1:33.5

Plate Offsets (X, Y): [2:0-2-0,Edge], [3:0-3-0,Edge], [4:0-2-0,Edge], [5:0-2-0,Edge]

Loading	(psf)	Spacing	2-0-0	CSI	DEFL	in	(loc)	l/defl	L/d	PLATES	GRIP	
TCLL	40.0	Plate Grip DOL	1.00	TC	0.11	Vert(LL)	n/a	-	n/a	999	MT20	244/190
TCDL	10.0	Lumber DOL	1.00	BC	0.45	Vert(CT)	-0.02	4-5	>999	360		
BCLL	0.0	Rep Stress Incr	NO	WB	0.33	Horz(CT)	0.01	4	n/a	n/a		
BCDL	5.0	Code	IRC2015/TPI2014	Matrix-P							Weight: 26 lb	FT = 20%F, 11%E

LUMBER		BRACING	
TOP CHORD	2x4 SP No.2(flat)	TOP CHORD	Structural wood sheathing directly applied or 3-8-8 oc purlins, except end verticals.
BOT CHORD	2x4 SP No.2(flat)	BOT CHORD	Rigid ceiling directly applied or 10-0-0 oc bracing.
WEBS	2x4 SP No.3(flat)		
OTHERS	2x4 SP No.3(flat)		

REACTIONS (lb/size) 4=790/ Mechanical, (min. 0-1-8), 5=790/0-3-8, (min. 0-1-8)

FORCES (lb) - Max. Comp./Max. Ten. - All forces 250 (lb) or less except when shown.

BOT CHORD 4-5=0/1193

WEBS 2-4=-1364/0, 2-5=-1364/0

- NOTES**
- This truss is designed in accordance with the 2015 International Residential Code sections R502.11.1 and R802.10.2 and referenced standard ANSI/TPI 1.
 - Recommend 2x6 strongbacks, on edge, spaced at 10-00-00 oc and fastened to each truss with 3-10d (0.131" X 3") nails. Strongbacks to be attached to walls at their outer ends or restrained by other means.
 - Use Simpson Strong-Tie THA422 (6-16d Girder, 6-10d Truss) or equivalent at 1-10-4 from the left end to connect truss(es) to front face of top chord.
 - Fill all nail holes where hanger is in contact with lumber.
 - In the LOAD CASE(S) section, loads applied to the face of the truss are noted as front (F) or back (B).

LOAD CASE(S) Standard

- Dead + Floor Live (balanced): Lumber Increase=1.00, Plate Increase=1.00
- Uniform Loads (lb/ft)
 - Vert: 4-5=-10, 1-3=-100
- Concentrated Loads (lb)
 - Vert: 2=-1212 (F)



This design is based upon parameters shown, and is for an individual building component to be installed and loaded vertically. Applicability of design parameters and proper incorporation of component is responsibility of the Building Designer. Building Designer shall verify all design information on this sheet for conformance with conditions and requirements of the specific building and governing codes and ordinances. Building Designer accepts responsibility for the correctness or accuracy of the design information as it may relate to a specific building. Certification is valid only when truss is fabricated by a UFPI plant. Bracing shown is for lateral support of truss members only and does not replace erection and permanent bracing. Refer to Building Component Safety Information (BCSI) for general guidance regarding storage, erection and bracing available from SBCA and Truss Plate Institute.



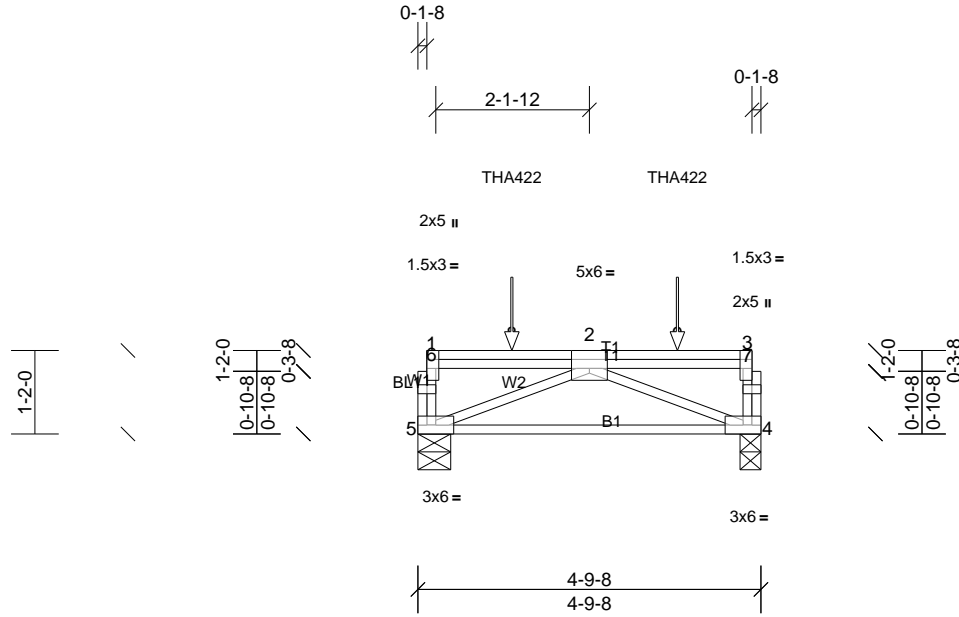
Job 72436653	Truss FG5	Truss Type Truss	Qty 1	Ply 1	MUNGO HOMES-RUSSELL 2ND FLR Job Reference (optional)
-----------------	--------------	---------------------	----------	----------	---

UFP Mid Atlantic LLC, 5631 S. NC 62, Burlington, NC, Joy Perry

Run: 8.81 S Sep 13 2024 Print: 8.810 S Sep 13 2024 MiTek Industries, Inc. Fri Nov 22 13:36:39

Page: 1

ID:5QsKfPUOdLX8ZxMONo8?X_yE?DD-WkbWnlFmpC0RER5qx0kthGtuxB6nhYBX4zU80wyGdb6



Scale = 1:32.3

Plate Offsets (X, Y): [2:0-3-0,Edge], [3:0-3-0,Edge]

Loading	(psf)	Spacing	2-0-0	CSI	DEFL	in	(loc)	l/defl	L/d	PLATES	GRIP	
TCLL	40.0	Plate Grip DOL	1.00	TC	0.90	Vert(LL)	n/a	-	n/a	999	MT20	244/190
TCDL	30.0	Lumber DOL	1.00	BC	0.82	Vert(CT)	-0.07	4-5	>785	360		
BCLL	0.0	Rep Stress Incr	NO	WB	0.59	Horz(CT)	0.02	4	n/a	n/a		
BCDL	5.0	Code	IRC2015/TPI2014	Matrix-P							Weight: 32 lb	FT = 20%F, 11%E

LUMBER		BRACING	
TOP CHORD	2x4 SP No.1(flat)	TOP CHORD	Structural wood sheathing directly applied or 4-9-8 oc purlins, except end verticals.
BOT CHORD	2x4 SP No.2(flat)	BOT CHORD	Rigid ceiling directly applied or 10-0-0 oc bracing.
WEBS	2x4 SP No.3(flat)		
OTHERS	2x4 SP No.3(flat)		

REACTIONS (lb/size) 4=1542/0-3-8, (min. 0-1-8), 5=1466/0-5-8, (min. 0-1-8)

FORCES (lb) - Max. Comp./Max. Ten. - All forces 250 (lb) or less except when shown.

TOP CHORD 5-6=-529/0, 1-6=-528/0, 4-7=-607/0, 3-7=-606/0

BOT CHORD 4-5=0/2157

WEBS 2-5=-2313/0, 2-4=-2307/0

- NOTES**
- This truss is designed in accordance with the 2015 International Residential Code sections R502.11.1 and R802.10.2 and referenced standard ANSI/TPI 1.
 - Recommend 2x6 strongbacks, on edge, spaced at 10-0-0 oc and fastened to each truss with 3-10d (0.131" X 3") nails. Strongbacks to be attached to walls at their outer ends or restrained by other means.
 - Use Simpson Strong-Tie THA422 (6-16d Girder, 6-10d Truss) or equivalent spaced at 2-3-12 oc max. starting at 1-3-12 from the left end to 3-7-8 to connect truss(es) to front face of top chord.
 - Fill all nail holes where hanger is in contact with lumber.
 - In the LOAD CASE(S) section, loads applied to the face of the truss are noted as front (F) or back (B).

LOAD CASE(S) Standard

- Dead + Floor Live (balanced): Lumber Increase=1.00, Plate Increase=1.00

Uniform Loads (lb/ft)
Vert: 4-5=-10, 1-3=-140

Concentrated Loads (lb)
Vert: 8=-1172 (F), 9=-1173 (F)



This design is based upon parameters shown, and is for an individual building component to be installed and loaded vertically. Applicability of design parameters and proper incorporation of component is responsibility of the Building Designer. Building Designer shall verify all design information on this sheet for conformance with conditions and requirements of the specific building and governing codes and ordinances. Building Designer accepts responsibility for the correctness or accuracy of the design information as it may relate to a specific building. Certification is valid only when truss is fabricated by a UFPI plant. Bracing shown is for lateral support of truss members only and does not replace erection and permanent bracing. Refer to Building Component Safety Information (BCSI) for general guidance regarding storage, erection and bracing available from SBCA and Truss Plate Institute.



Job 72436653	Truss FG6	Truss Type Truss	Qty 1	Ply 1	MUNGO HOMES-RUSSELL 2ND FLR Job Reference (optional)
-----------------	--------------	---------------------	----------	----------	---

UFP Mid Atlantic LLC, 5631 S. NC 62, Burlington, NC, Joy Perry

Run: 8.81 S Sep 13 2024 Print: 8.810 S Sep 13 2024 MiTek Industries, Inc. Fri Nov 22 13:36:39

Page: 1

ID:6kHpOvkk48bceYi?wZjoaTyE_lo-WkbWnlFmpC0RER5qx0kthG1aBGbhdPX4zU80wyGdb6

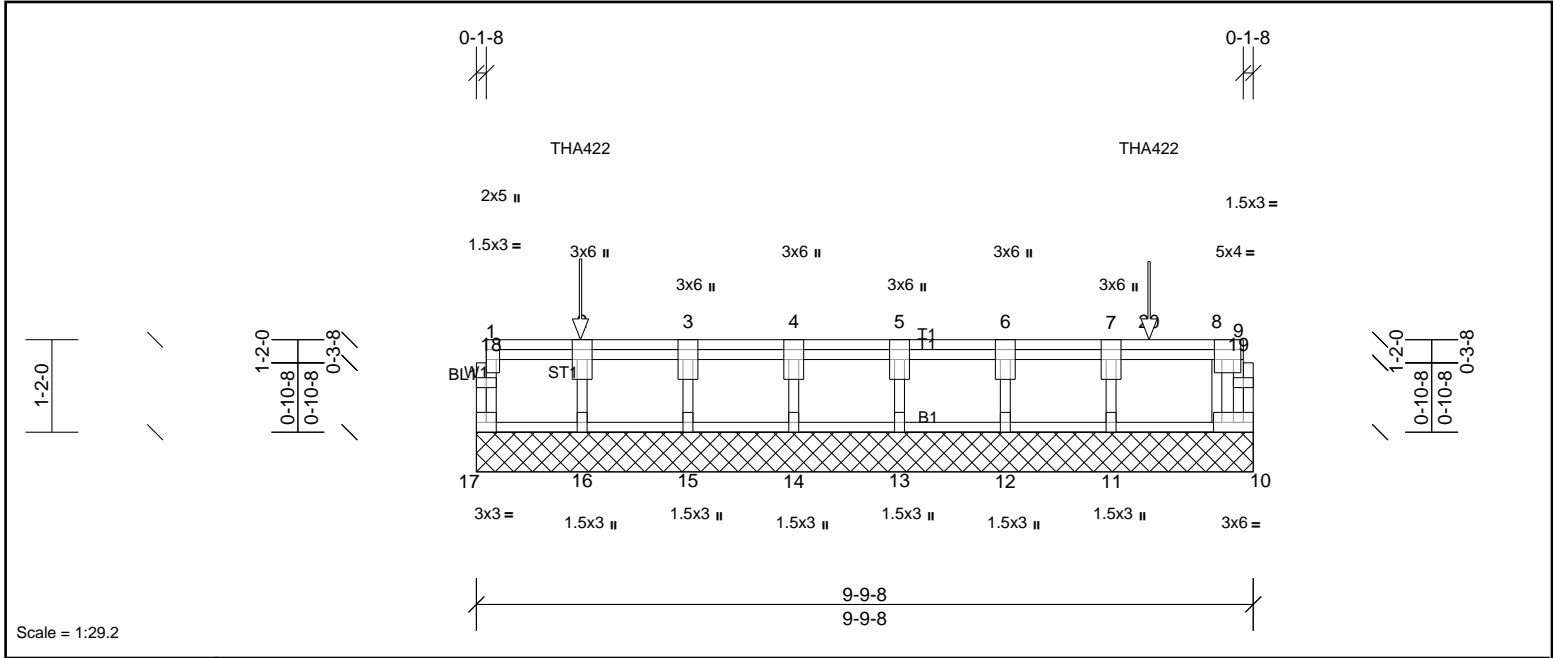


Plate Offsets (X, Y): [9:0-2-0,Edge]

Loading	(psf)	Spacing	2-0-0	CSI	DEFL	in	(loc)	l/defl	L/d	PLATES	GRIP	
TCLL	40.0	Plate Grip DOL	1.00	TC	0.34	Vert(LL)	n/a	-	n/a	999	MT20	244/190
TCDL	10.0	Lumber DOL	1.00	BC	0.13	Vert(TL)	n/a	-	n/a	999		
BCLL	0.0	Rep Stress Incr	NO	WB	0.26	Horiz(TL)	0.00	10	n/a	n/a		
BCDL	5.0	Code	IRC2015/TPI2014	Matrix-R							Weight: 56 lb	FT = 20%F, 11%E

LUMBER	BRACING
TOP CHORD 2x4 SP No.2(flat)	TOP CHORD Structural wood sheathing directly applied or 6-0-0 oc purlins, except end verticals.
BOT CHORD 2x4 SP No.2(flat)	BOT CHORD Rigid ceiling directly applied or 10-0-0 oc bracing.
WEBS 2x4 SP No.3(flat)	
OTHERS 2x4 SP No.3(flat)	

REACTIONS All bearings 9-9-8.
 (lb) - Max Grav All reactions 250 (lb) or less at joint(s) 12, 13, 14, 15, 17 except 10=274 (LC 1), 11=751 (LC 1), 16=1127 (LC 1)

FORCES (lb) - Max. Comp./Max. Ten. - All forces 250 (lb) or less except when shown.
 WEBS 2-16=-1134/0, 7-11=-723/0, 8-10=-313/0

- NOTES**
- All plates are 1.5x3 MT20 unless otherwise indicated.
 - Gable requires continuous bottom chord bearing.
 - Truss to be fully sheathed from one face or securely braced against lateral movement (i.e. diagonal web).
 - Gable studs spaced at 1-4-0 oc.
 - This truss is designed in accordance with the 2015 International Residential Code sections R502.11.1 and R802.10.2 and referenced standard ANSI/TPI 1.
 - Recommend 2x6 strongbacks, on edge, spaced at 10-00-00 oc and fastened to each truss with 3-10d (0.131" X 3") nails. Strongbacks to be attached to walls at their outer ends or restrained by other means.
 - Use Simpson Strong-Tie THA422 (6-16d Girder, 6-10d Truss) or equivalent spaced at 7-2-0 oc max. starting at 1-3-12 from the left end to 8-5-12 to connect truss(es) to front face of top chord.
 - Fill all nail holes where hanger is in contact with lumber.
 - In the LOAD CASE(S) section, loads applied to the face of the truss are noted as front (F) or back (B).

- LOAD CASE(S)** Standard
- Dead + Floor Live (balanced): Lumber Increase=1.00, Plate Increase=1.00
 Uniform Loads (lb/ft)
 Vert: 10-17=-10, 1-9=-100
 Concentrated Loads (lb)
 Vert: 2=-1079 (F), 20=-690 (F)



This design is based upon parameters shown, and is for an individual building component to be installed and loaded vertically. Applicability of design parameters and proper incorporation of component is responsibility of the Building Designer. Building Designer shall verify all design information on this sheet for conformance with conditions and requirements of the specific building and governing codes and ordinances. Building Designer accepts responsibility for the correctness or accuracy of the design information as it may relate to a specific building. Certification is valid only when truss is fabricated by a UFPI plant. Bracing shown is for lateral support of truss members only and does not replace erection and permanent bracing. Refer to Building Component Safety Information (BCSI) for general guidance regarding storage, erection and bracing available from SBCA and Truss Plate Institute.



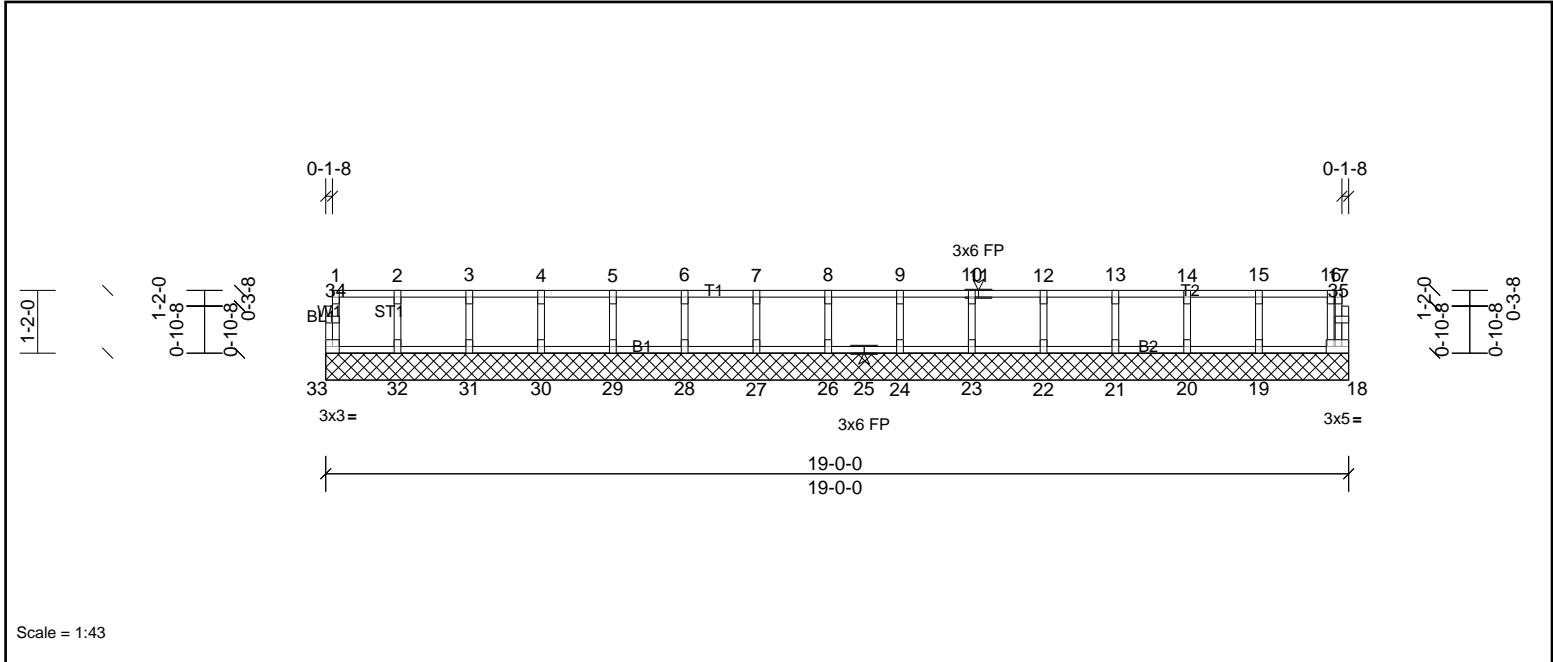
Job 72436653	Truss K200	Truss Type Truss	Qty 1	Ply 1	MUNGO HOMES-RUSSELL 2ND FLR Job Reference (optional)
-----------------	---------------	---------------------	----------	----------	---

UFP Mid Atlantic LLC, 5631 S. NC 62, Burlington, NC, Joy Perry

Run: 8.81 S Sep 13 2024 Print: 8.810 S Sep 13 2024 MiTek Industries, Inc. Fri Nov 22 13:36:40

Page: 1

ID:X211ojpGXXSOorxNFQTV0eyGx?j-_w9v_5GOaV8Hrbg0VjF6EUQGNbdVQ8AglDdiYMyGdb5



Scale = 1:43

Loading	(psf)	Spacing	2-0-0	CSI	DEFL	in	(loc)	l/defl	L/d	PLATES	GRIP	
TCLL	40.0	Plate Grip DOL	1.00	TC	0.09	Vert(LL)	n/a	-	n/a	999	MT20	244/190
TCDL	10.0	Lumber DOL	1.00	BC	0.02	Vert(TL)	n/a	-	n/a	999		
BCLL	0.0	Rep Stress Incr	YES	WB	0.03	Horiz(TL)	0.00	18	n/a	n/a		
BCDL	5.0	Code	IRC2015/TPI2014	Matrix-R							Weight: 80 lb	FT = 20%F, 11%E

LUMBER		BRACING	
TOP CHORD	2x4 SP No.2(flat)	TOP CHORD	Structural wood sheathing directly applied or 6-0-0 oc purlins, except end verticals.
BOT CHORD	2x4 SP No.2(flat)	BOT CHORD	Rigid ceiling directly applied or 10-0-0 oc bracing.
WEBS	2x4 SP No.3(flat)		
OTHERS	2x4 SP No.3(flat)		

REACTIONS All bearings 19-0-0.
(lb) - Max Grav All reactions 250 (lb) or less at joint(s) 18, 19, 20, 21, 22, 23, 24, 26, 27, 28, 29, 30, 31, 32, 33

FORCES (lb) - Max. Comp./Max. Ten. - All forces 250 (lb) or less except when shown.

- NOTES**
- All plates are 1.5x3 MT20 unless otherwise indicated.
 - Gable requires continuous bottom chord bearing.
 - Truss to be fully sheathed from one face or securely braced against lateral movement (i.e. diagonal web).
 - Gable studs spaced at 1-4-0 oc.
 - This truss is designed in accordance with the 2015 International Residential Code sections R502.11.1 and R802.10.2 and referenced standard ANSI/TPI 1.
 - Recommend 2x6 strongbacks, on edge, spaced at 10-00-00 oc and fastened to each truss with 3-10d (0.131" X 3") nails. Strongbacks to be attached to walls at their outer ends or restrained by other means.



This design is based upon parameters shown, and is for an individual building component to be installed and loaded vertically. Applicability of design parameters and proper incorporation of component is responsibility of the Building Designer. Building Designer shall verify all design information on this sheet for conformance with conditions and requirements of the specific building and governing codes and ordinances. Building Designer accepts responsibility for the correctness or accuracy of the design information as it may relate to a specific building. Certification is valid only when truss is fabricated by a UFPI plant. Bracing shown is for lateral support of truss members only and does not replace erection and permanent bracing. Refer to Building Component Safety Information (BCSI) for general guidance regarding storage, erection and bracing available from SBCA and Truss Plate Institute.



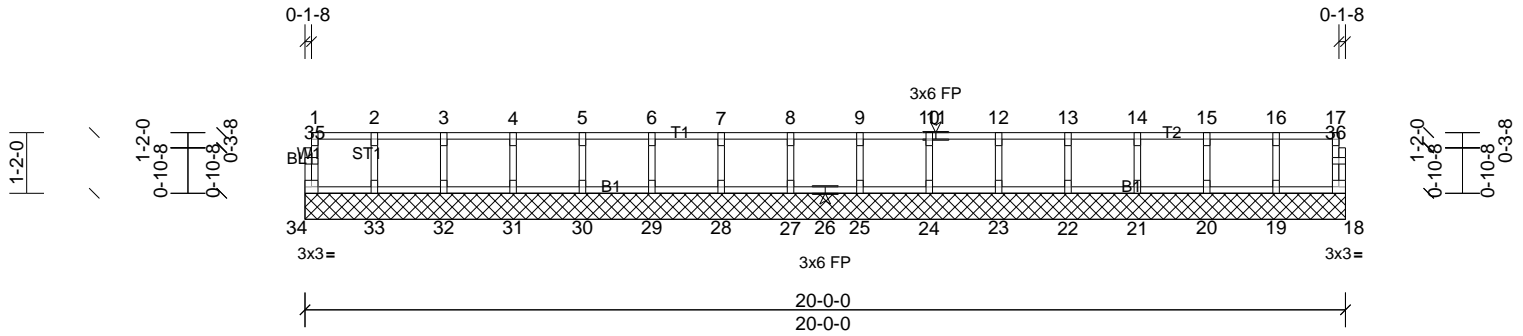
Job 72436653	Truss K201	Truss Type Truss	Qty 1	Ply 1	MUNGO HOMES-RUSSELL 2ND FLR Job Reference (optional)
-----------------	---------------	---------------------	----------	----------	---

UFP Mid Atlantic LLC, 5631 S. NC 62, Burlington, NC, Joy Perry

Run: 8.81 S Sep 13 2024 Print: 8.810 S Sep 13 2024 MiTek Industries, Inc. Fri Nov 22 13:36:40

Page: 1

ID:KdulQDGrBdiGp0wrtN5mDPyE?Y9-_w9v_5GOaV8Hrbg0VjF6EUQGxbdhQ8CgldDiYMyGdb5



Scale = 1:44.5

Loading	(psf)	Spacing	2-0-0	CSI	DEFL	in	(loc)	l/defl	L/d	PLATES	GRIP
TCLL	40.0	Plate Grip DOL	1.00	TC	Vert(LL)	n/a	-	n/a	999	MT20	244/190
TCDL	10.0	Lumber DOL	1.00	BC	Vert(TL)	n/a	-	n/a	999		
BCLL	0.0	Rep Stress Incr	YES	WB	Horiz(TL)	0.00	18	n/a	n/a		
BCDL	5.0	Code	IRC2015/TPI2014	Matrix-R						Weight: 83 lb	FT = 20%F, 11%E

LUMBER	BRACING
TOP CHORD 2x4 SP No.2(flat)	TOP CHORD Structural wood sheathing directly applied or 6-0-0 oc purlins, except end verticals.
BOT CHORD 2x4 SP No.2(flat)	BOT CHORD Rigid ceiling directly applied or 10-0-0 oc bracing.
WEBS 2x4 SP No.3(flat)	
OTHERS 2x4 SP No.3(flat)	

REACTIONS All bearings 20-0-0.
(lb) - Max Grav All reactions 250 (lb) or less at joint(s) 18, 19, 20, 21, 22, 23, 24, 25, 27, 28, 29, 30, 31, 32, 33, 34

FORCES (lb) - Max. Comp./Max. Ten. - All forces 250 (lb) or less except when shown.

- NOTES**
- 1) All plates are 1.5x3 MT20 unless otherwise indicated.
 - 2) Gable requires continuous bottom chord bearing.
 - 3) Truss to be fully sheathed from one face or securely braced against lateral movement (i.e. diagonal web).
 - 4) Gable studs spaced at 1'-4-0 oc.
 - 5) This truss is designed in accordance with the 2015 International Residential Code sections R502.11.1 and R802.10.2 and referenced standard ANSI/TPI 1.
 - 6) Recommend 2x6 strongbacks, on edge, spaced at 10-0-0 oc and fastened to each truss with 3-10d (0.131" X 3") nails. Strongbacks to be attached to walls at their outer ends or restrained by other means.



This design is based upon parameters shown, and is for an individual building component to be installed and loaded vertically. Applicability of design parameters and proper incorporation of component is responsibility of the Building Designer. Building Designer shall verify all design information on this sheet for conformance with conditions and requirements of the specific building and governing codes and ordinances. Building Designer accepts responsibility for the correctness or accuracy of the design information as it may relate to a specific building. Certification is valid only when truss is fabricated by a UFPI plant. Bracing shown is for lateral support of truss members only and does not replace erection and permanent bracing. Refer to Building Component Safety Information (BCSI) for general guidance regarding storage, erection and bracing available from SBCA and Truss Plate Institute.



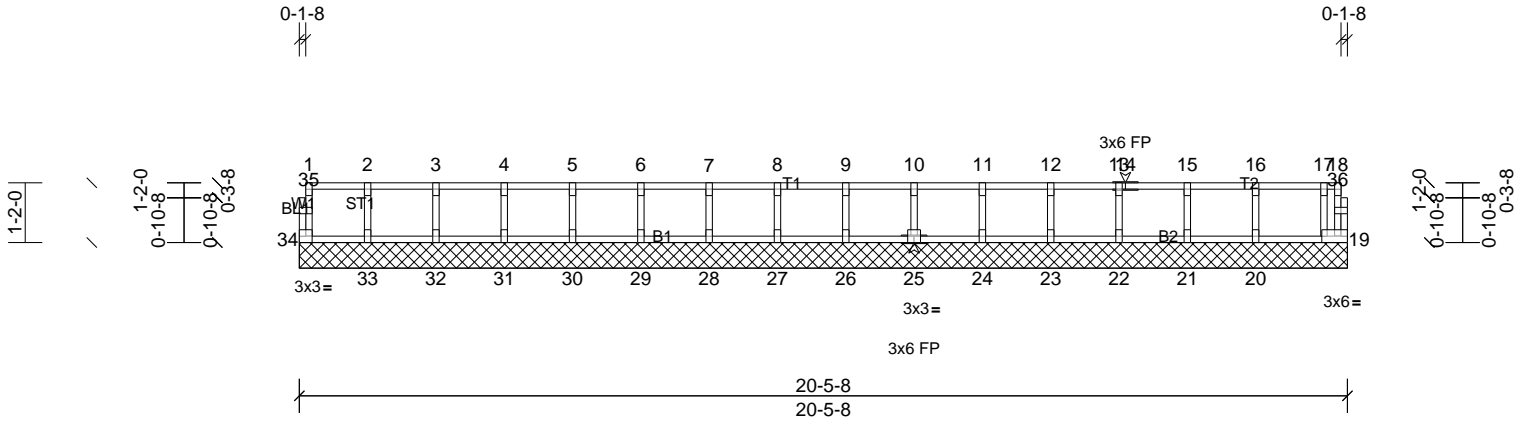
Job 72436653	Truss K202	Truss Type Truss	Qty 1	Ply 1	MUNGO HOMES-RUSSELL 2ND FLR Job Reference (optional)
-----------------	---------------	---------------------	----------	----------	---

UFP Mid Atlantic LLC, 5631 S. NC 62, Burlington, NC, Joy Perry

Run: 8.81 S Sep 13 2024 Print: 8.810 S Sep 13 2024 MiTek Industries, Inc. Fri Nov 22 13:36:40

Page: 1

ID: C8iW8c2MXM9nTeQ4z6ZvXyE?Xi-_w9v_5GOaV8Hrbg0VjF6EUQGKbdOQ8AglDdiYMyGdb5



Scale = 1:45.2

Loading	(psf)	Spacing	2-0-0	CSI	DEFL	in	(loc)	l/defl	L/d	PLATES	GRIP	
TCLL	40.0	Plate Grip DOL	1.00	TC	0.09	Vert(LL)	n/a	-	n/a	999	MT20	244/190
TCDL	10.0	Lumber DOL	1.00	BC	0.03	Vert(TL)	n/a	-	n/a	999		
BCLL	0.0	Rep Stress Incr	YES	WB	0.03	Horiz(TL)	0.00	19	n/a	n/a		
BCDL	5.0	Code	IRC2015/TPI2014	Matrix-R							Weight: 86 lb	FT = 20%F, 11%E

LUMBER	BRACING
TOP CHORD 2x4 SP No.2(flat)	TOP CHORD Structural wood sheathing directly applied or 6-0-0 oc purlins, except end verticals.
BOT CHORD 2x4 SP No.2(flat)	BOT CHORD Rigid ceiling directly applied or 10-0-0 oc bracing.
WEBS 2x4 SP No.3(flat)	
OTHERS 2x4 SP No.3(flat)	

REACTIONS All bearings 20-5-8.
(lb) - Max Grav All reactions 250 (lb) or less at joint(s) 19, 20, 21, 22, 23, 24, 25, 26, 27, 28, 29, 30, 31, 32, 33, 34

FORCES (lb) - Max. Comp./Max. Ten. - All forces 250 (lb) or less except when shown.

- NOTES**
- All plates are 1.5x3 MT20 unless otherwise indicated.
 - Gable requires continuous bottom chord bearing.
 - Truss to be fully sheathed from one face or securely braced against lateral movement (i.e. diagonal web).
 - Gable studs spaced at 1-4-0 oc.
 - This truss is designed in accordance with the 2015 International Residential Code sections R502.11.1 and R802.10.2 and referenced standard ANSI/TPI 1.
 - Recommend 2x6 strongbacks, on edge, spaced at 10-00-00 oc and fastened to each truss with 3-10d (0.131" X 3") nails. Strongbacks to be attached to walls at their outer ends or restrained by other means.



This design is based upon parameters shown, and is for an individual building component to be installed and loaded vertically. Applicability of design parameters and proper incorporation of component is responsibility of the Building Designer. Building Designer shall verify all design information on this sheet for conformance with conditions and requirements of the specific building and governing codes and ordinances. Building Designer accepts responsibility for the correctness or accuracy of the design information as it may relate to a specific building. Certification is valid only when truss is fabricated by a UFPI plant. Bracing shown is for lateral support of truss members only and does not replace erection and permanent bracing. Refer to Building Component Safety Information (BCSI) for general guidance regarding storage, erection and bracing available from SBCA and Truss Plate Institute.



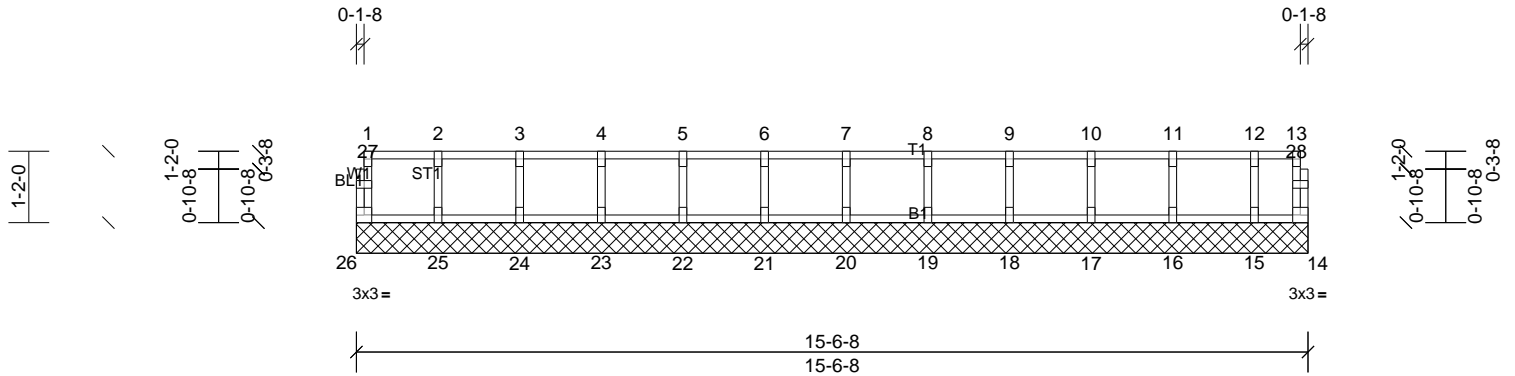
Job 72436653	Truss K203	Truss Type Truss	Qty 1	Ply 1	MUNGO HOMES-RUSSELL 2ND FLR Job Reference (optional)
-----------------	---------------	---------------------	----------	----------	---

UFP Mid Atlantic LLC, 5631 S. NC 62, Burlington, NC, Joy Perry

Run: 8.81 S Sep 13 2024 Print: 8.810 S Sep 13 2024 MiTek Industries, Inc. Fri Nov 22 13:36:40

Page: 1

ID:hOGwAMxz?qIKXdCc985uVDyE?XH-_w9v_5GOaV8Hrbg0VJf6EUQGSbdcQ8BglDdiYMyGdb5



Scale = 1:37.8

Loading	(psf)	Spacing	2-0-0	CSI	DEFL	in	(loc)	l/defl	L/d	PLATES	GRIP	
TCLL	40.0	Plate Grip DOL	1.00	TC	0.08	Vert(LL)	n/a	-	n/a	999	MT20	244/190
TCDL	10.0	Lumber DOL	1.00	BC	0.02	Vert(TL)	n/a	-	n/a	999		
BCLL	0.0	Rep Stress Incr	YES	WB	0.03	Horiz(TL)	0.00	14	n/a	n/a		
BCDL	5.0	Code	IRC2015/TPI2014	Matrix-R							Weight: 66 lb	FT = 20%F, 11%E

LUMBER	BRACING
TOP CHORD 2x4 SP No.2(flat)	TOP CHORD Structural wood sheathing directly applied or 6-0-0 oc purlins, except end verticals.
BOT CHORD 2x4 SP No.2(flat)	BOT CHORD Rigid ceiling directly applied or 10-0-0 oc bracing.
WEBS 2x4 SP No.3(flat)	
OTHERS 2x4 SP No.3(flat)	

REACTIONS All bearings 15-6-8.
(lb) - Max Grav All reactions 250 (lb) or less at joint(s) 14, 15, 16, 17, 18, 19, 20, 21, 22, 23, 24, 25, 26

FORCES (lb) - Max. Comp./Max. Ten. - All forces 250 (lb) or less except when shown.

- NOTES**
- 1) All plates are 1.5x3 MT20 unless otherwise indicated.
 - 2) Gable requires continuous bottom chord bearing.
 - 3) Truss to be fully sheathed from one face or securely braced against lateral movement (i.e. diagonal web).
 - 4) Gable studs spaced at 1-4-0 oc.
 - 5) This truss is designed in accordance with the 2015 International Residential Code sections R502.11.1 and R802.10.2 and referenced standard ANSI/TPI 1.
 - 6) Recommend 2x6 strongbacks, on edge, spaced at 10-00-00 oc and fastened to each truss with 3-10d (0.131" X 3") nails. Strongbacks to be attached to walls at their outer ends or restrained by other means.



This design is based upon parameters shown, and is for an individual building component to be installed and loaded vertically. Applicability of design parameters and proper incorporation of component is responsibility of the Building Designer. Building Designer shall verify all design information on this sheet for conformance with conditions and requirements of the specific building and governing codes and ordinances. Building Designer accepts responsibility for the correctness or accuracy of the design information as it may relate to a specific building. Certification is valid only when truss is fabricated by a UFPI plant. Bracing shown is for lateral support of truss members only and does not replace erection and permanent bracing. Refer to Building Component Safety Information (BCSI) for general guidance regarding storage, erection and bracing available from SBCA and Truss Plate Institute.

