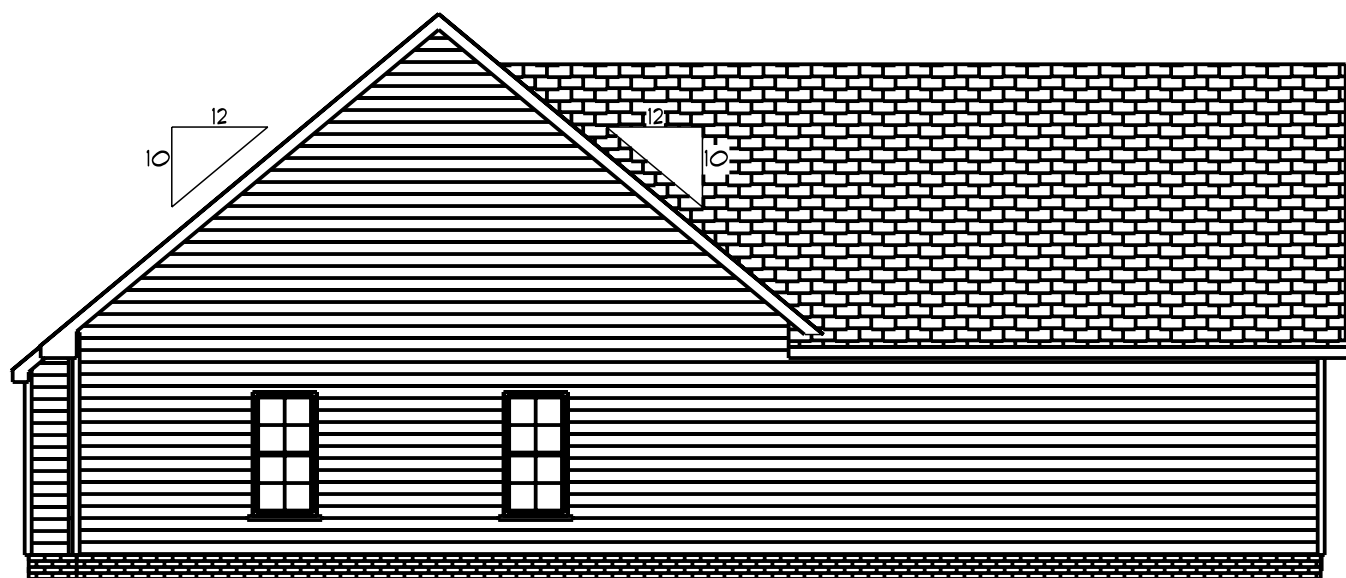




Front Elevation
Scale: 1/4" = 1'0"



Rear Elevation
Scale: 1/8" = 1'0"



Left Elevation
Scale: 1/8" = 1'0"

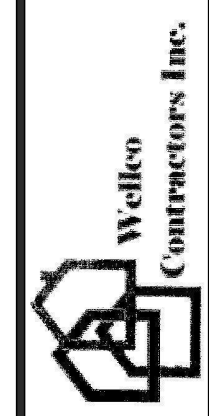


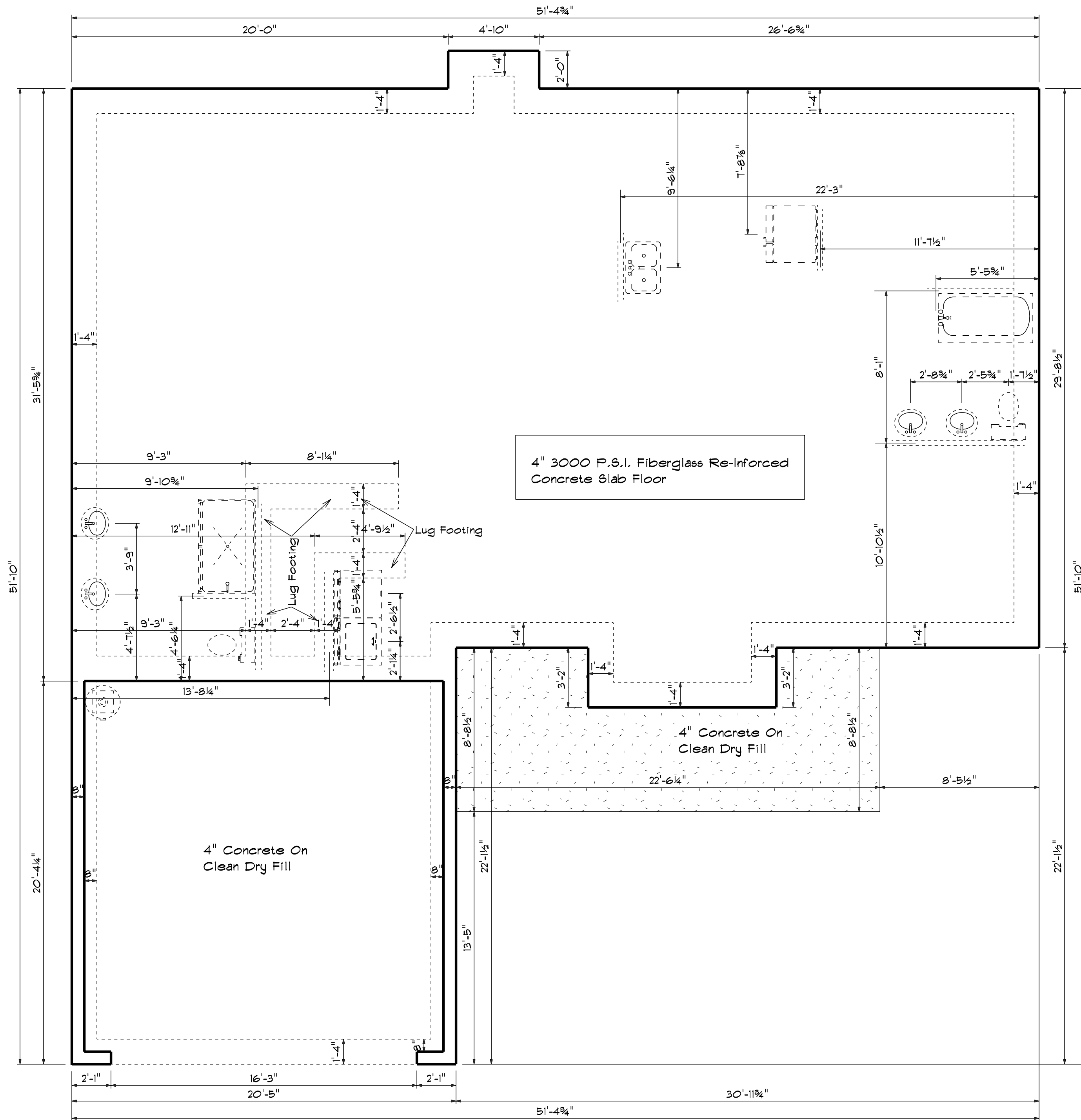
Right Elevation
Scale: 1/8" = 1'0"

DATE: 1/12/2024
REVISED
DRAWING#

SCALE: 1/4"
DRAWN BY
APPROVED

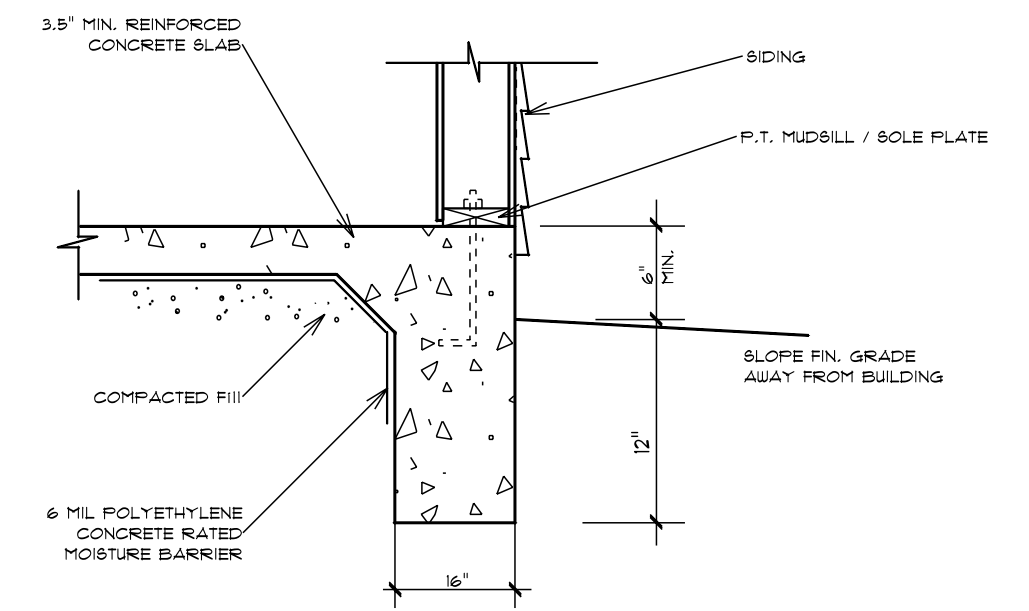
Plan# 8



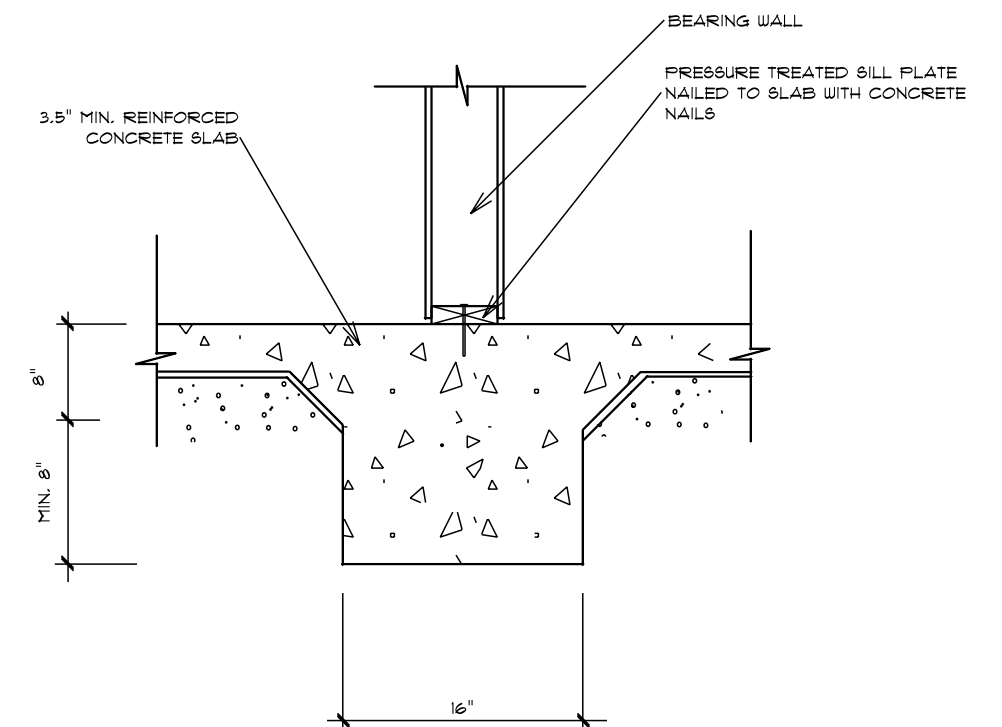


Foundation Plan

Scale: 1/4" = 1'-0"



TURN-DOWN FOOTING DETAIL



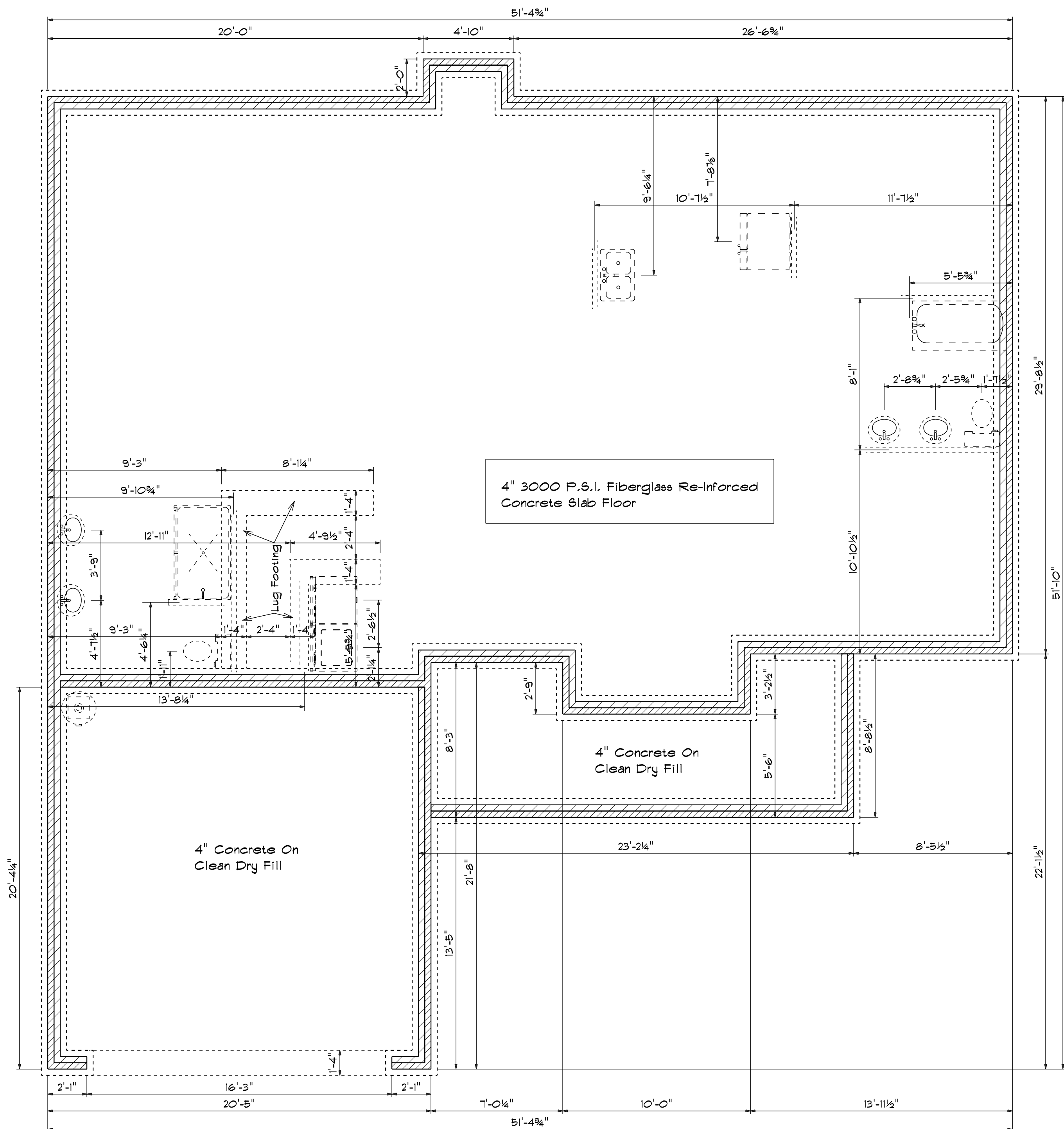
INTEGRAL SLAB FOOTING DETAIL AT BEARING WALL

DATE: 1/12/2024
REVISED
DRAWING#

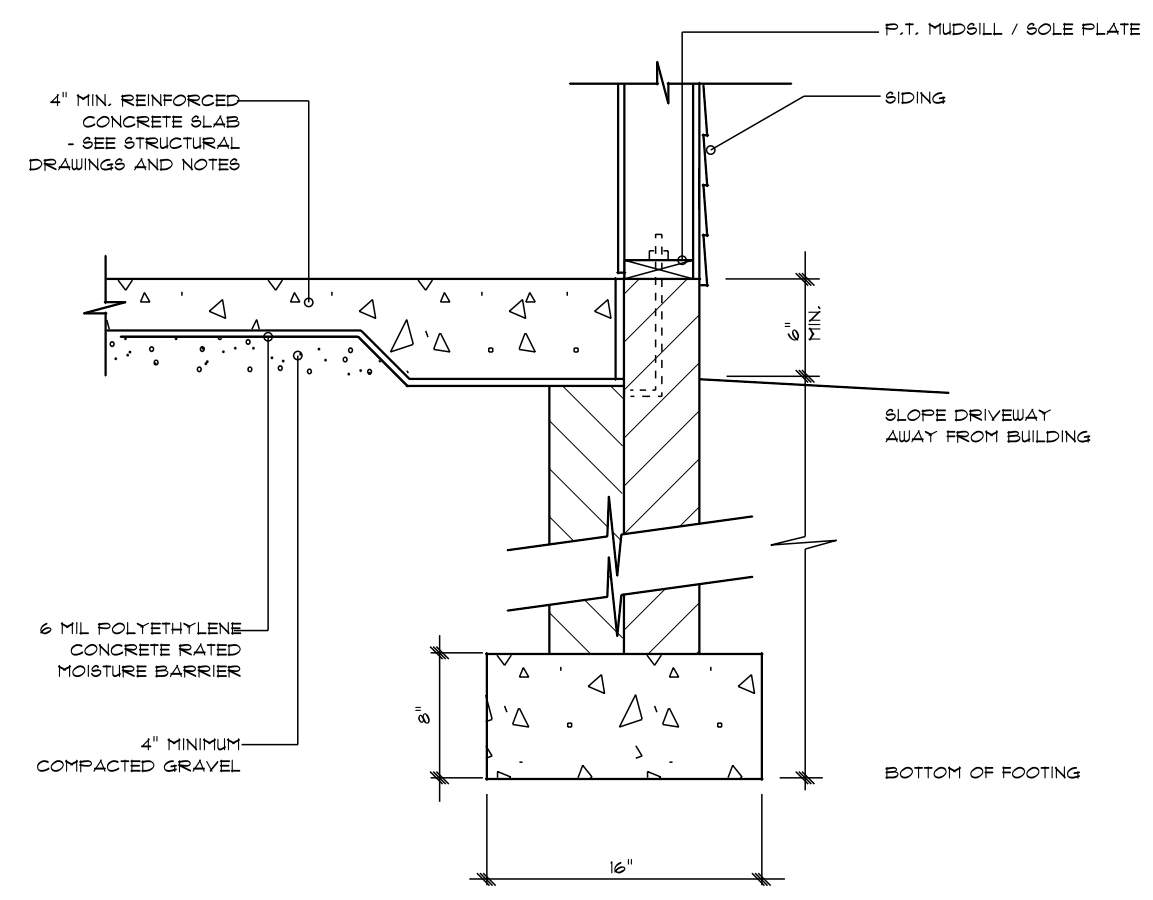
SCALE: 1/4"
DRAWN BY
APPROVED

Plan# 8

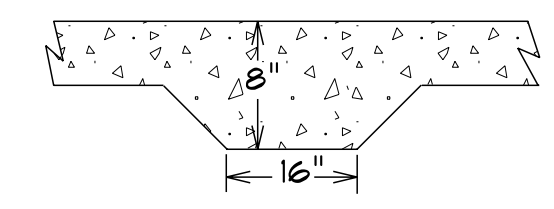




Foundation Plan
 Scale: 1/4" = 1'-0"



STEM WALL FOOTING DETAIL



LUG FOOTING DETAIL

	DATE: 1/12/2024
	REVISIONS
Plan# 8	DRAWN BY
	APPROVED