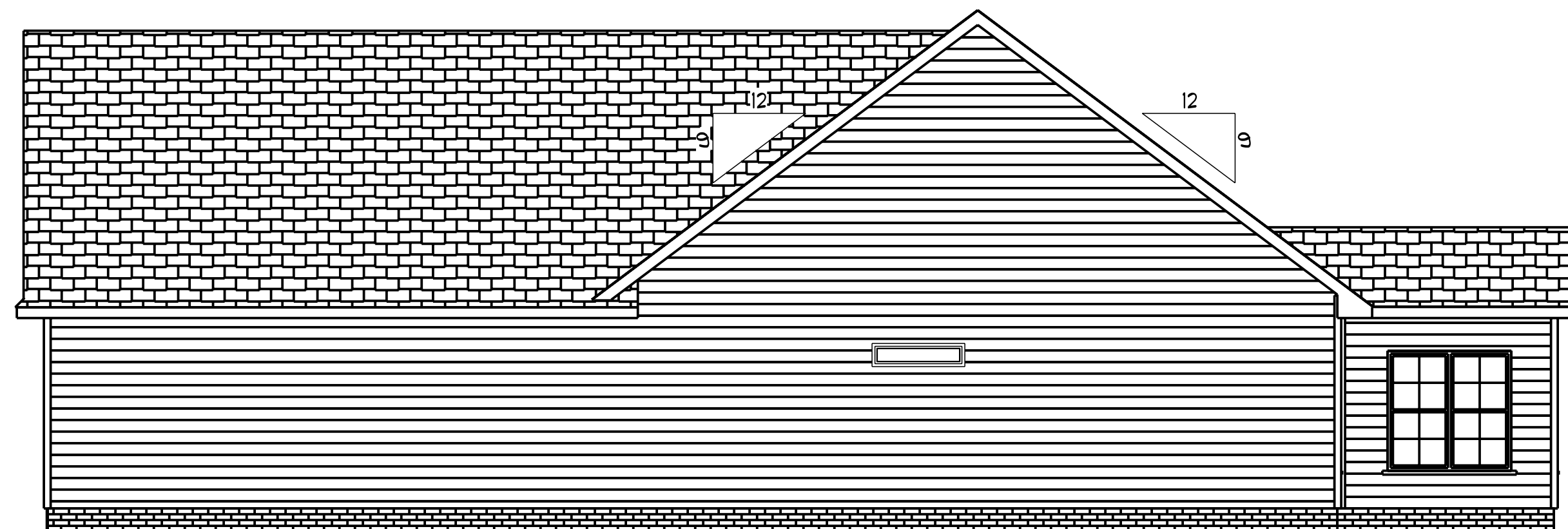




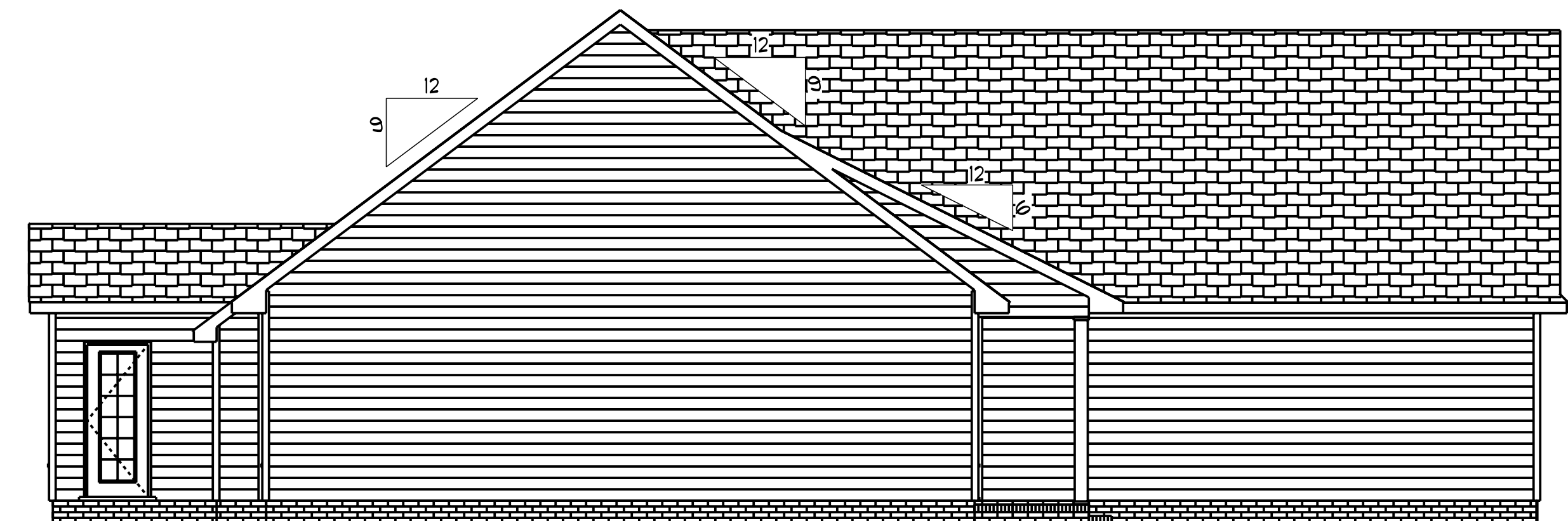
Front Elevation
Scale: 1/4" = 1'0"



Rear Elevation
Scale: 3/16" = 1'0"



Right Elevation
Scale: 3/16" = 1'0"



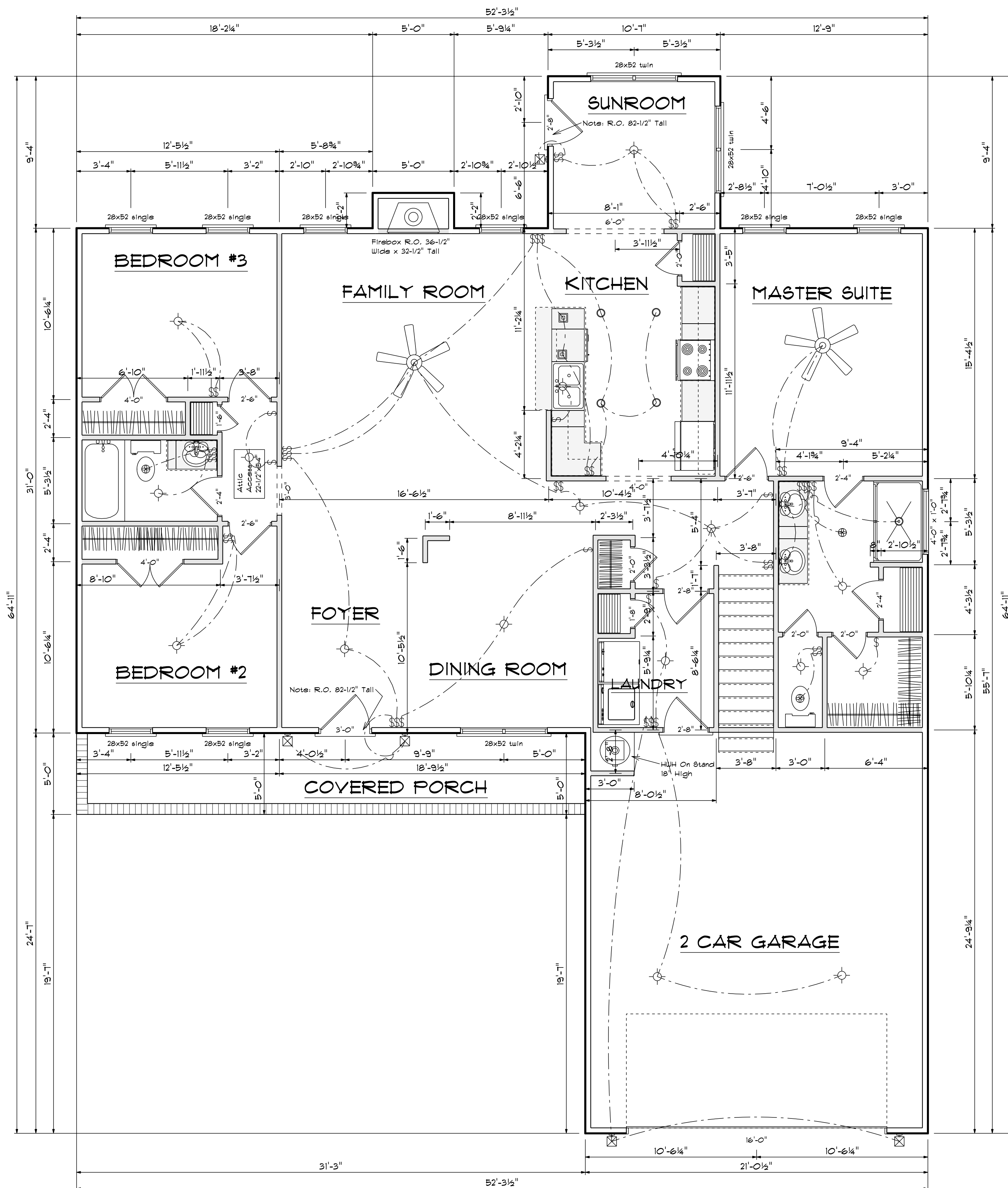
Left Elevation
Scale: 3/16" = 1'0"

DATE: 1/22/2024
REVISED
DRAWING*

SCALE: 1/4"
DRAWN BY
APPROVED

Plan #9



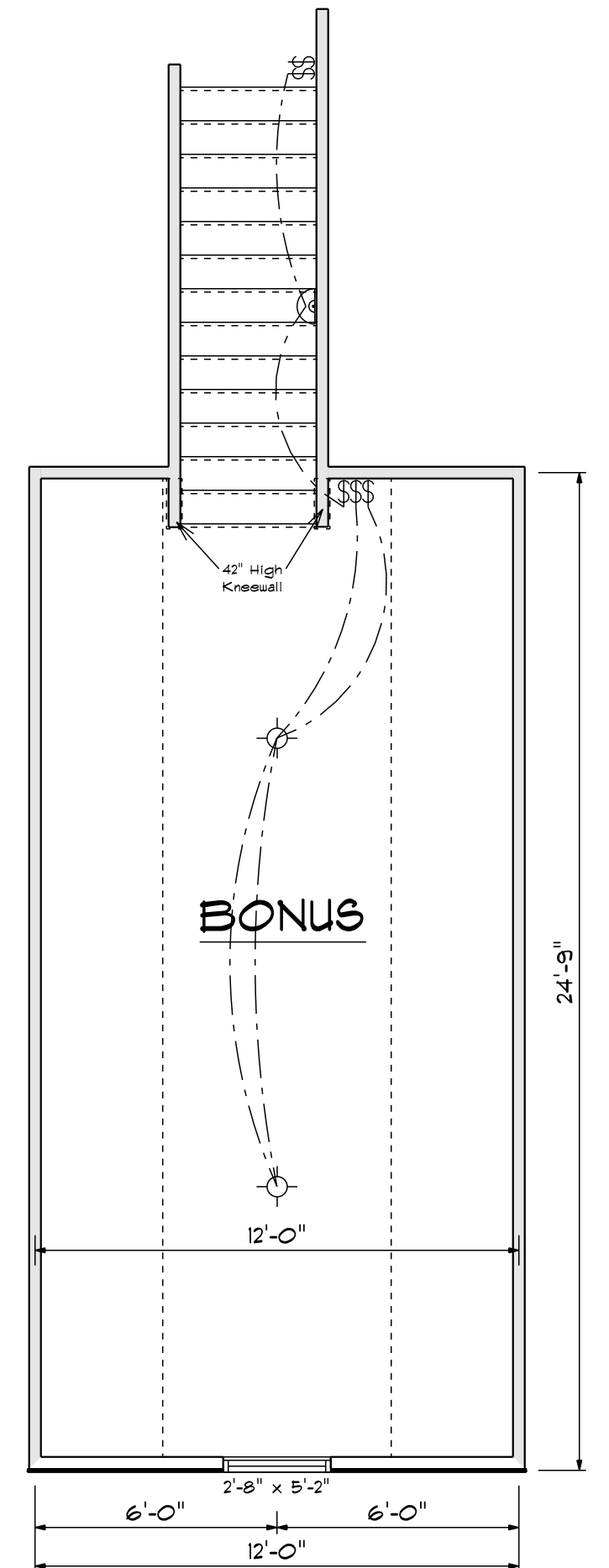


First Floor Plan
Scale: 1/4" = 1'-0"

OPENING SCHEDULE				
PRODUCT CODE	SIZE	HINGE	REVERSED	COUNT
60X80 LH ENTRY - 2 SL	5'-0"	L	NA	1
32X80 FRENCH A 1	2'-8"	L	NO	1
192X84 - GARAGE DOOR	16'-0"	U	NO	1
1-6 Door Unit	1'-6"	L	NO	1
1-8 Door Unit	1'-8"	R	NO	1
2-0 Door Unit	2'-0"	R	NO	3
2-0 Door Unit	2'-0"	L	NO	1
2-4 Door Unit	2'-4"	L	NO	2
2-6 Door Unit	2'-6"	R	NO	1
2-6 Door Unit	2'-6"	L	NO	2
2-8 Door Unit	2'-8"	L	NO	1
2-8 Door Unit	2'-8"	R	NO	1
4-0 Doublehung Door Unit	4'-0"	LR	NO	2
28x52 single	2'-8" x 5'-2"	N	NA	9
28x52 twin	5'-4" x 5'-2"	NN	NA	3
4X8 GLASS BLOCK	4'-0" x 4'-0"	N	NA	1

Areas

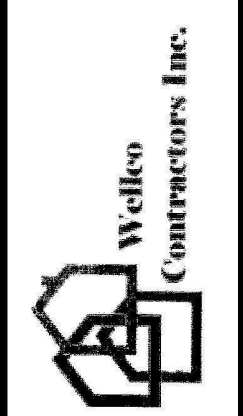
Main Floor	1728
Bonus Room	304
=====	
Total	2032
Garage	520
Front Porch	155

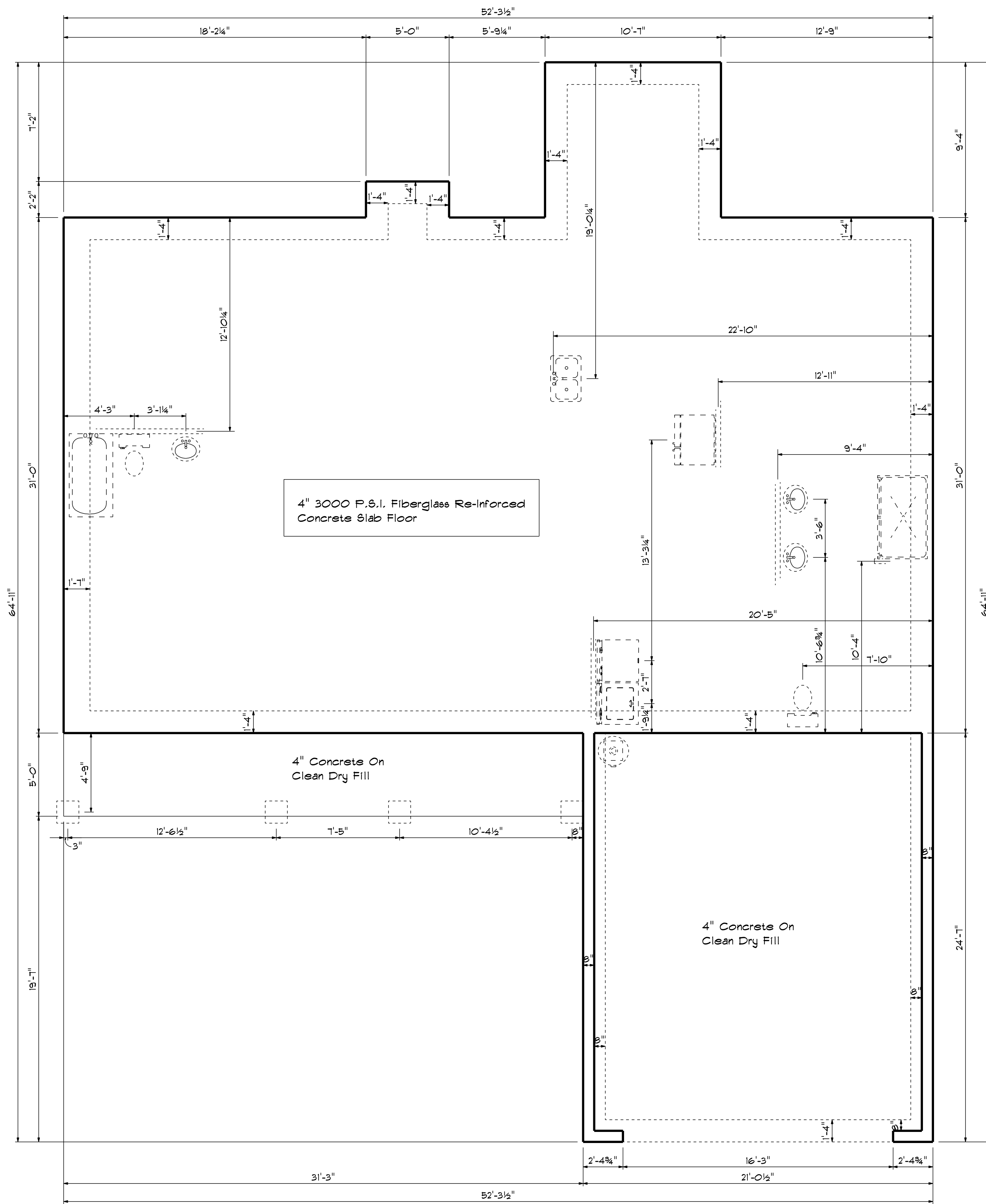


DATE: 1/22/2024
REVISED
DRAWING#

SCALE: 1/4"
DRAWN BY
APPROVED

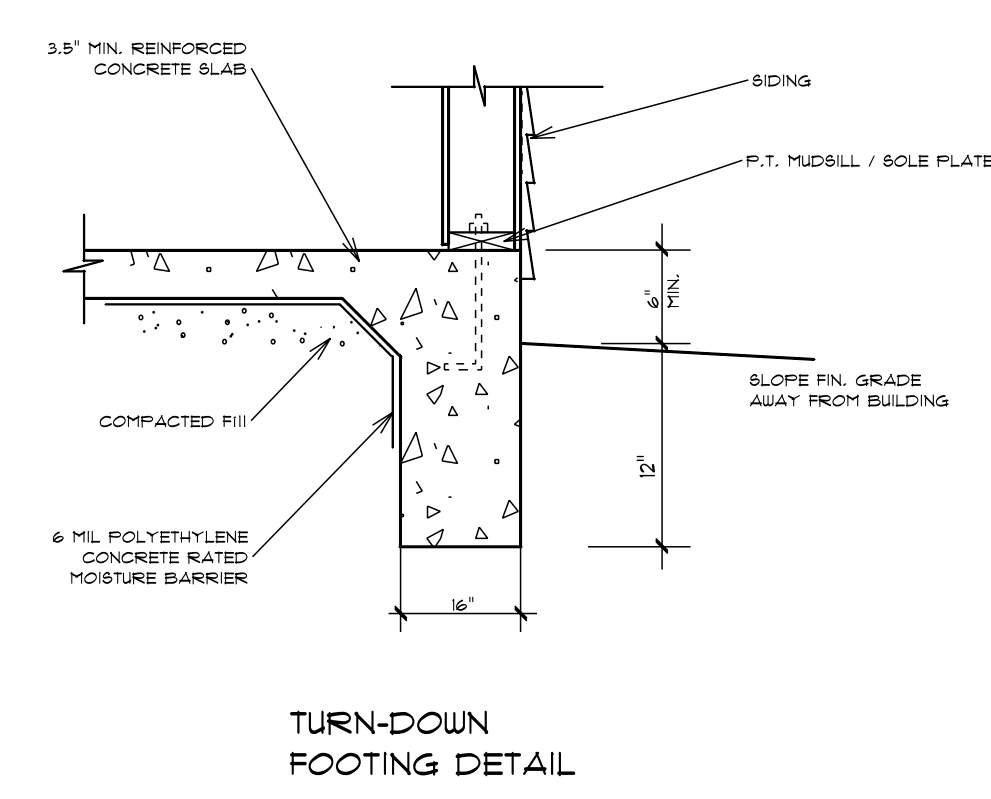
Plan #9



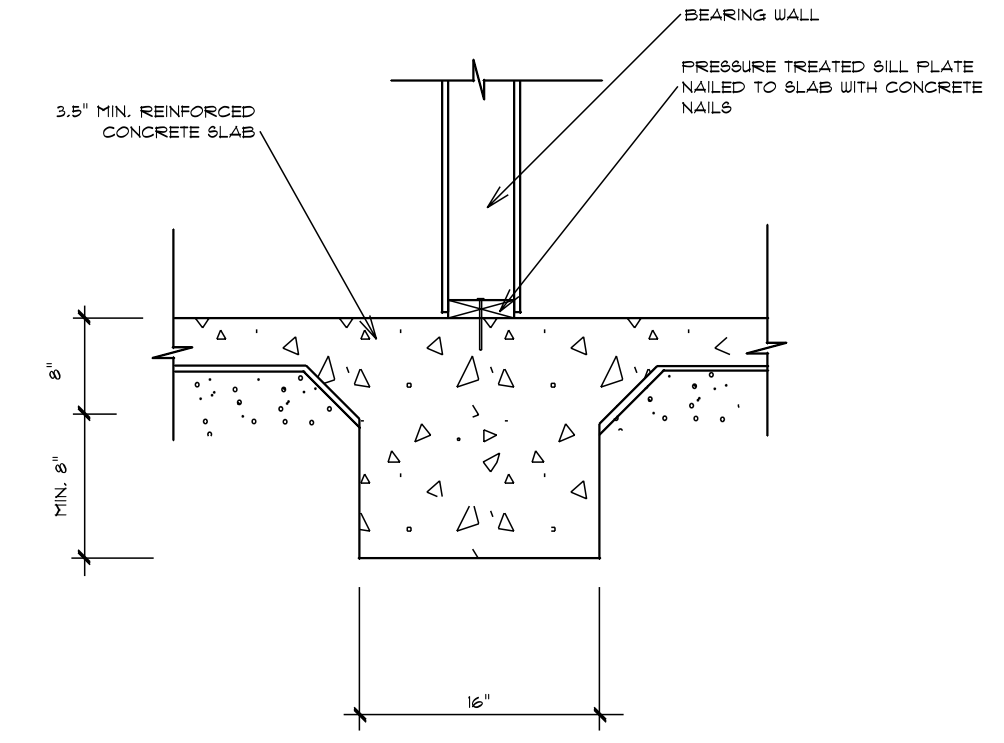


Foundation Plan

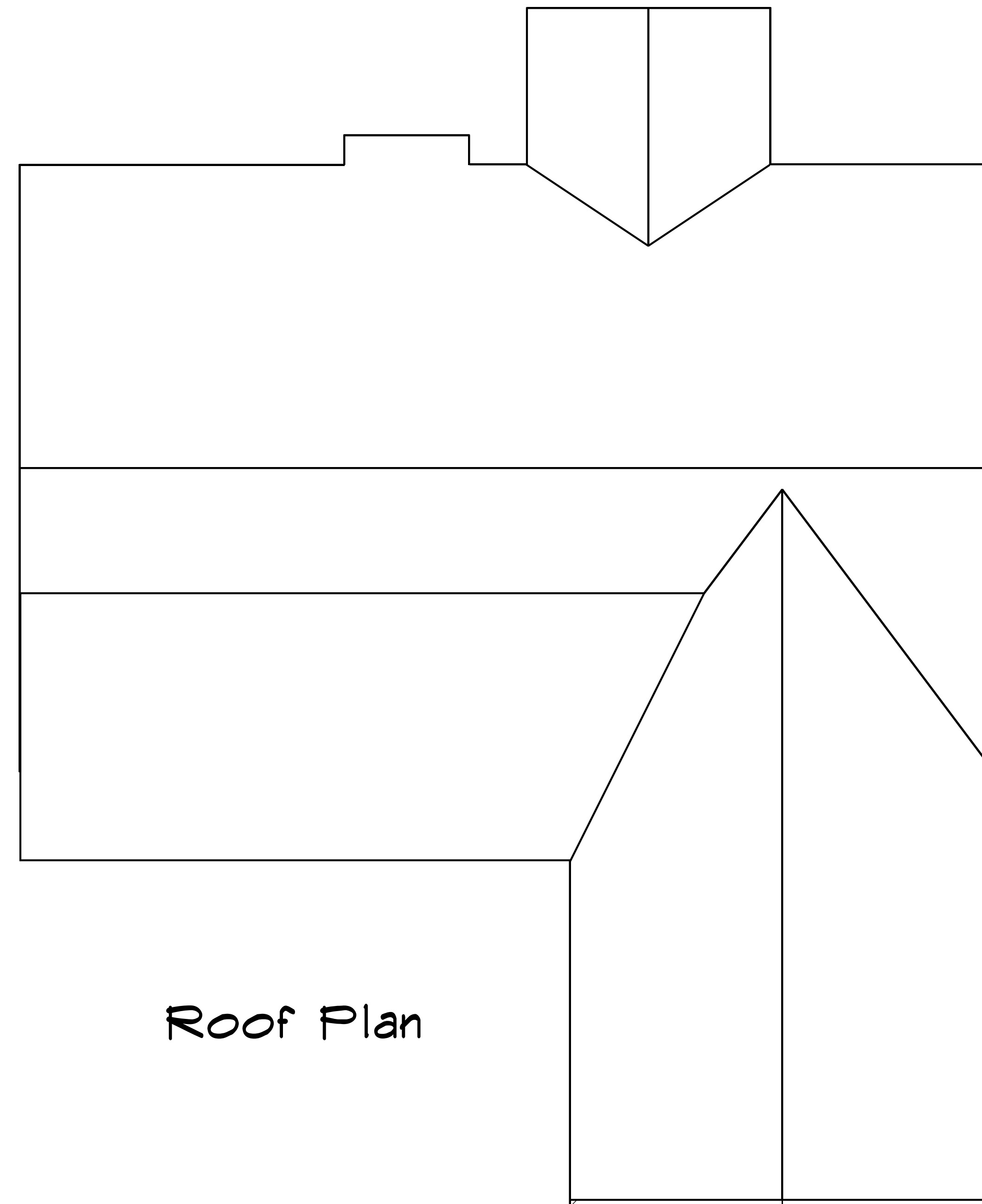
Scale: 1/4" = 1'-0"



TURN-DOWN FOOTING DETAIL



INTEGRAL SLAB FOOTING DETAIL AT BEARING WALL



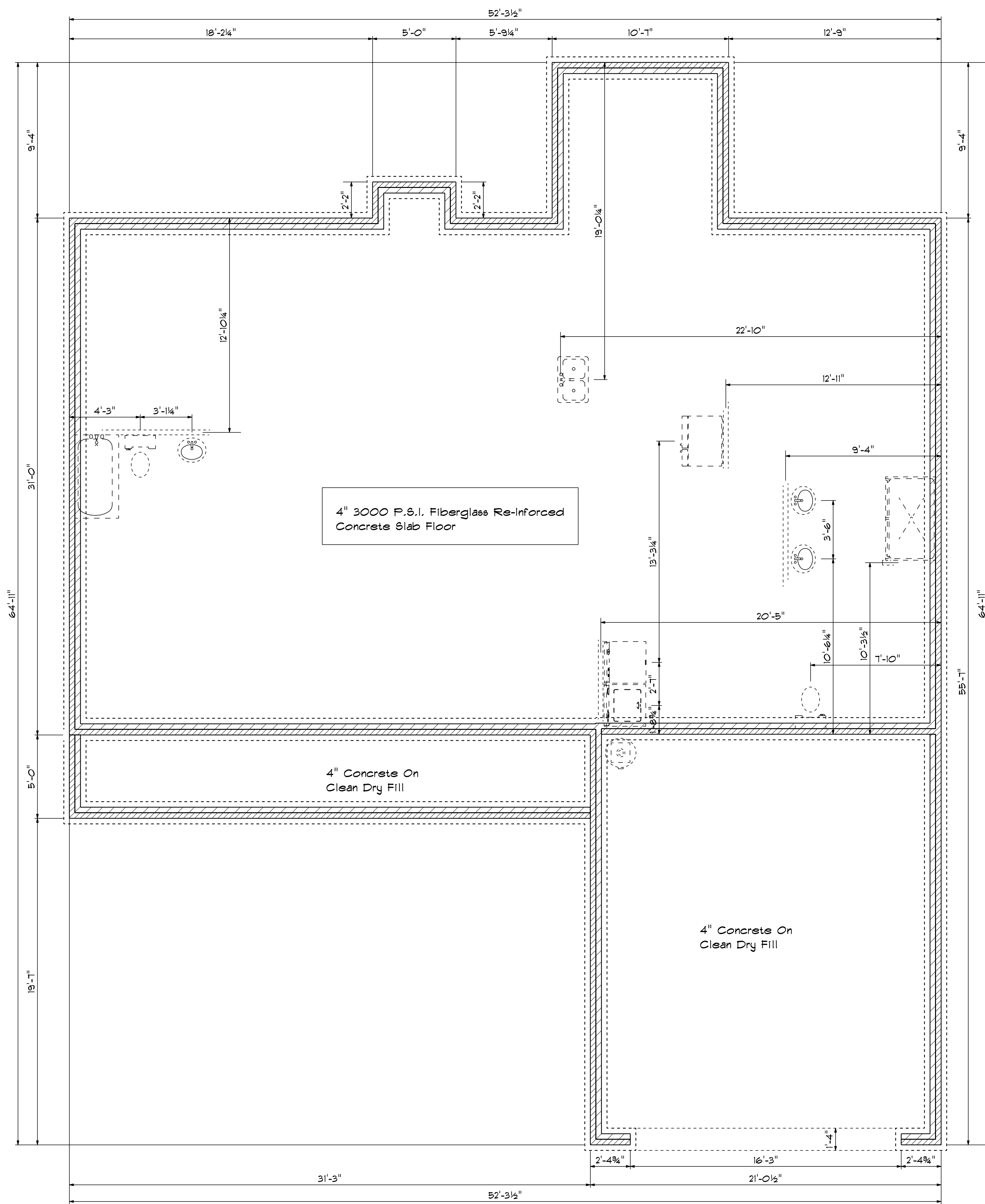
Roof Plan

DATE: 1/22/2024
REVISED
DRAWING*

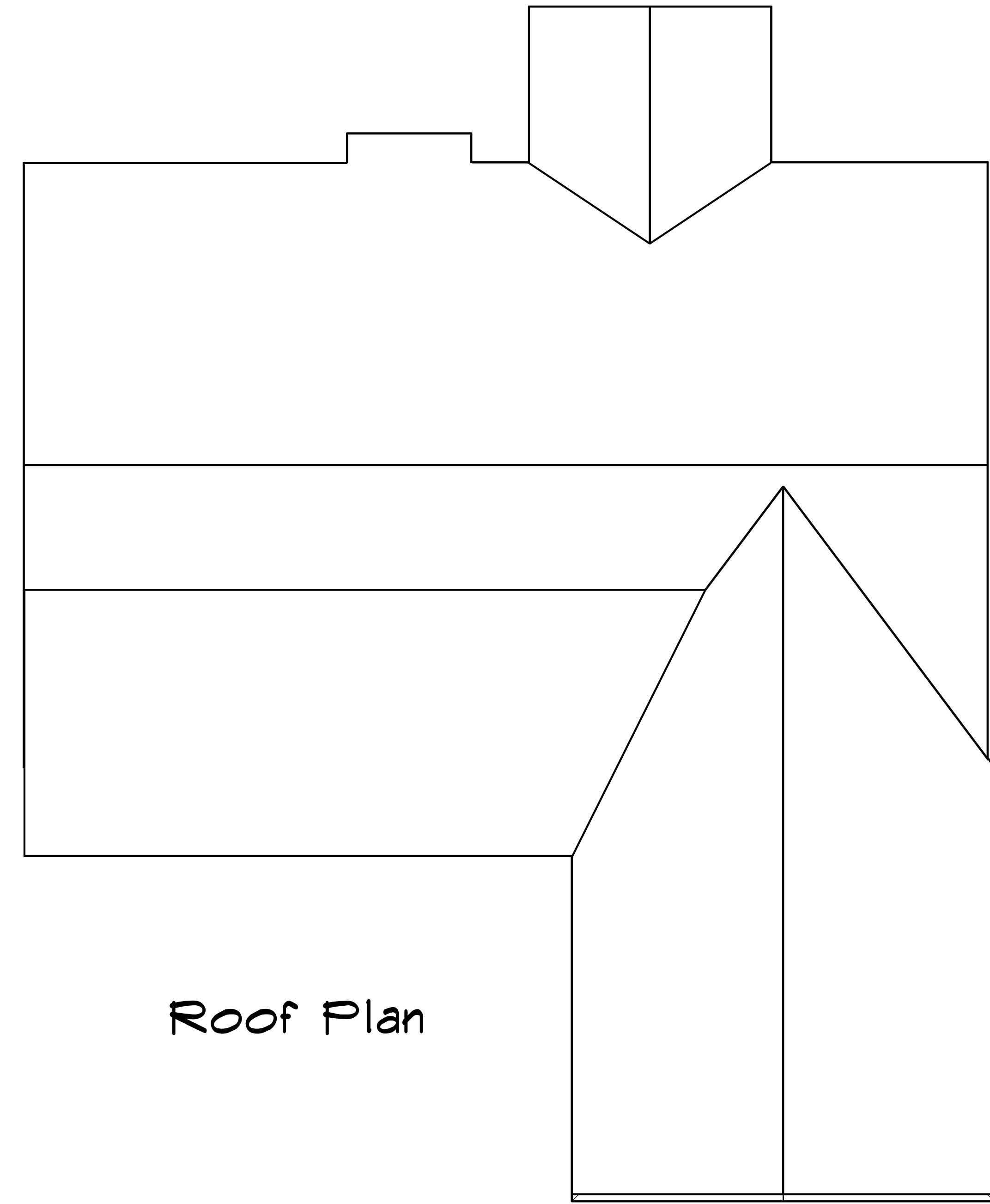
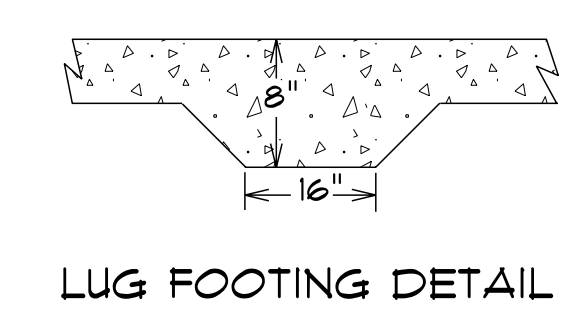
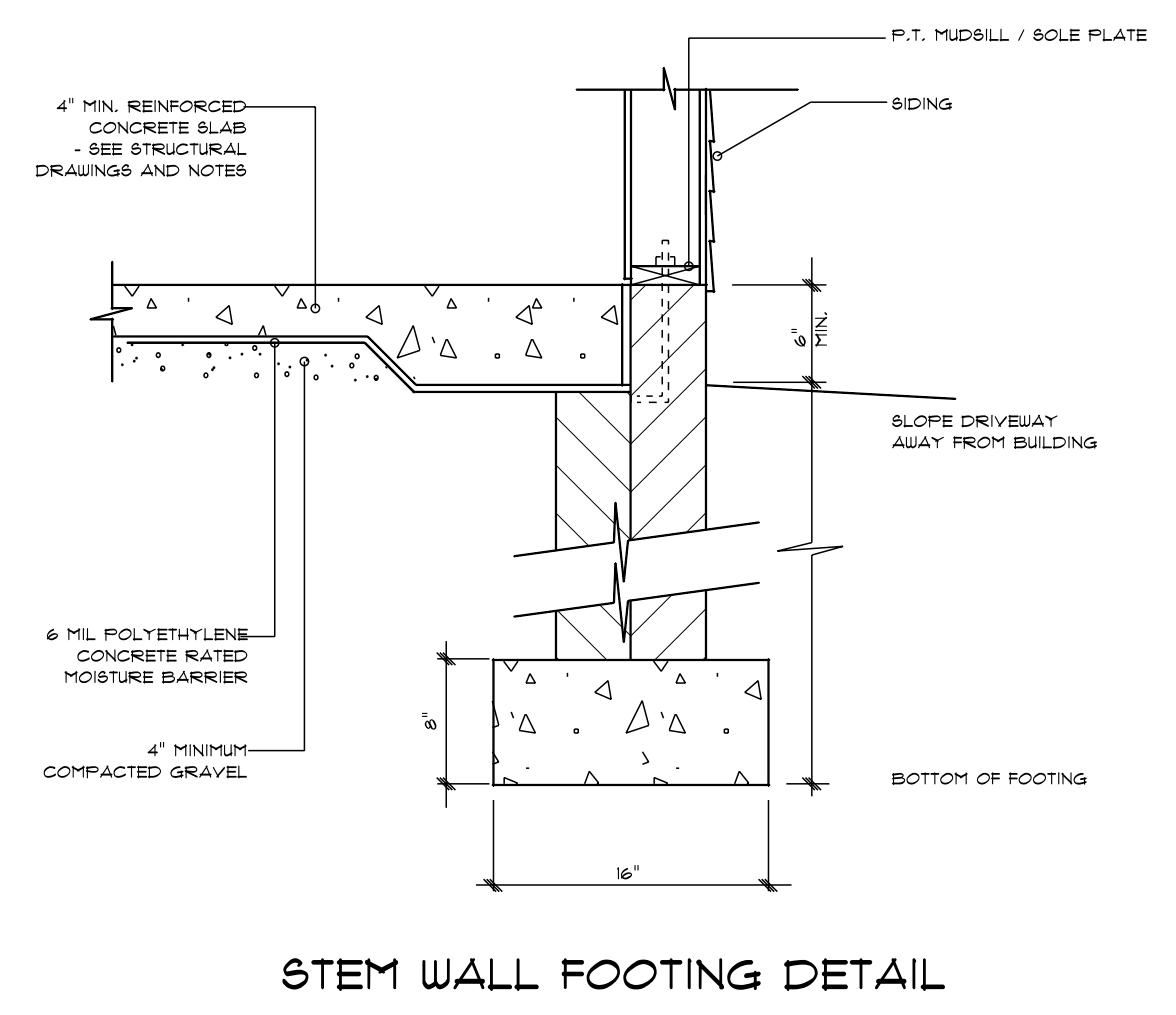
SCALE: 1/4"
DRAWN BY
APPROVED

Plan #9





Foundation Plan
Scale: 1/4" = 1'-0"



Roof Plan

DATE: 1/22/2024
REVISED
DRAWING*

SCALE: 1/4"
DRAWN BY
APPROVED

Plan #9

