



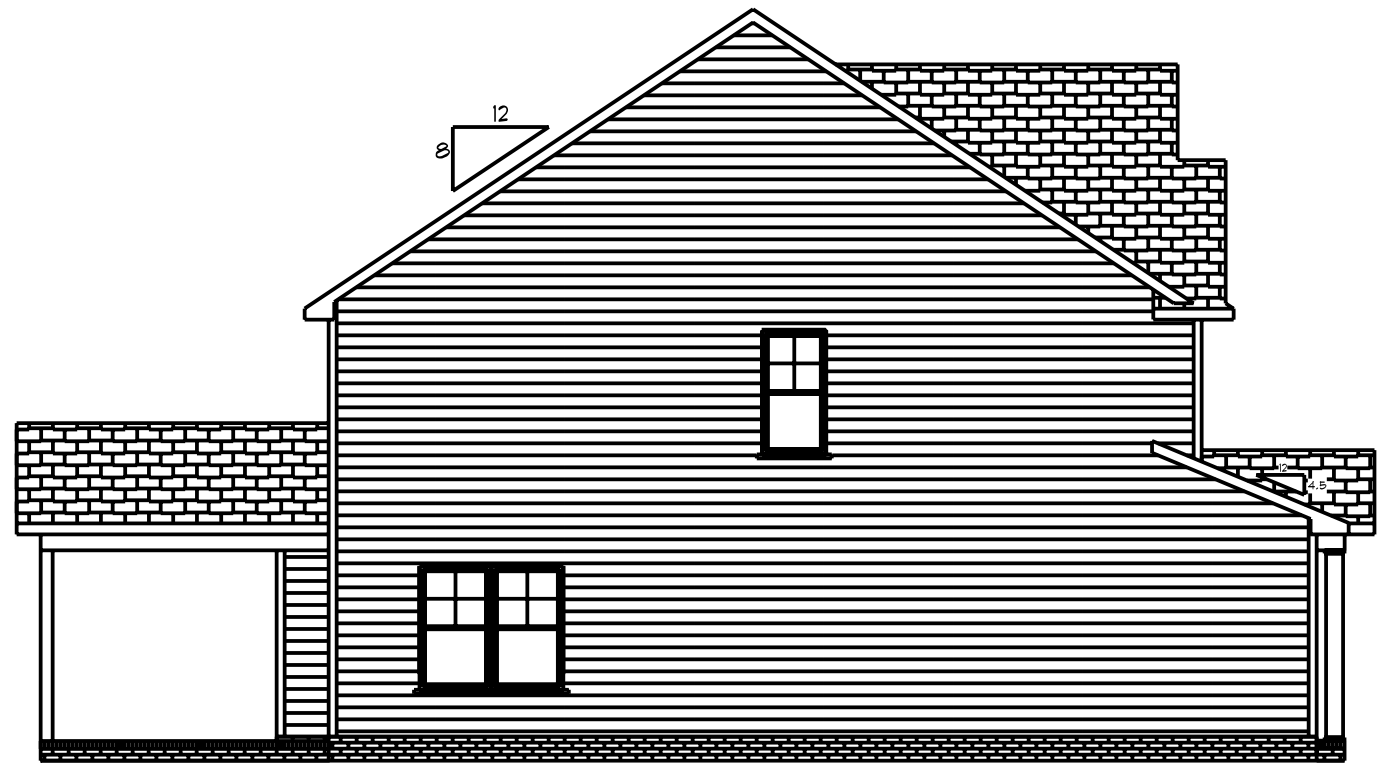
Front Elevation
Scale: 1/4" = 1'0"



Rear Elevation
Scale: 1/8" = 1'0"



Right Elevation
Scale: 1/8" = 1'0"

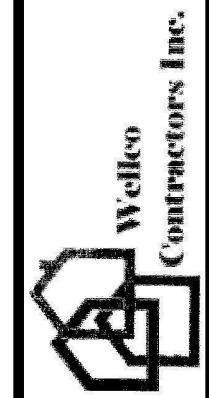


Left Elevation
Scale: 1/8" = 1'0"

DATE: Monday, July 22, 2024
REVISID
DRAWING*

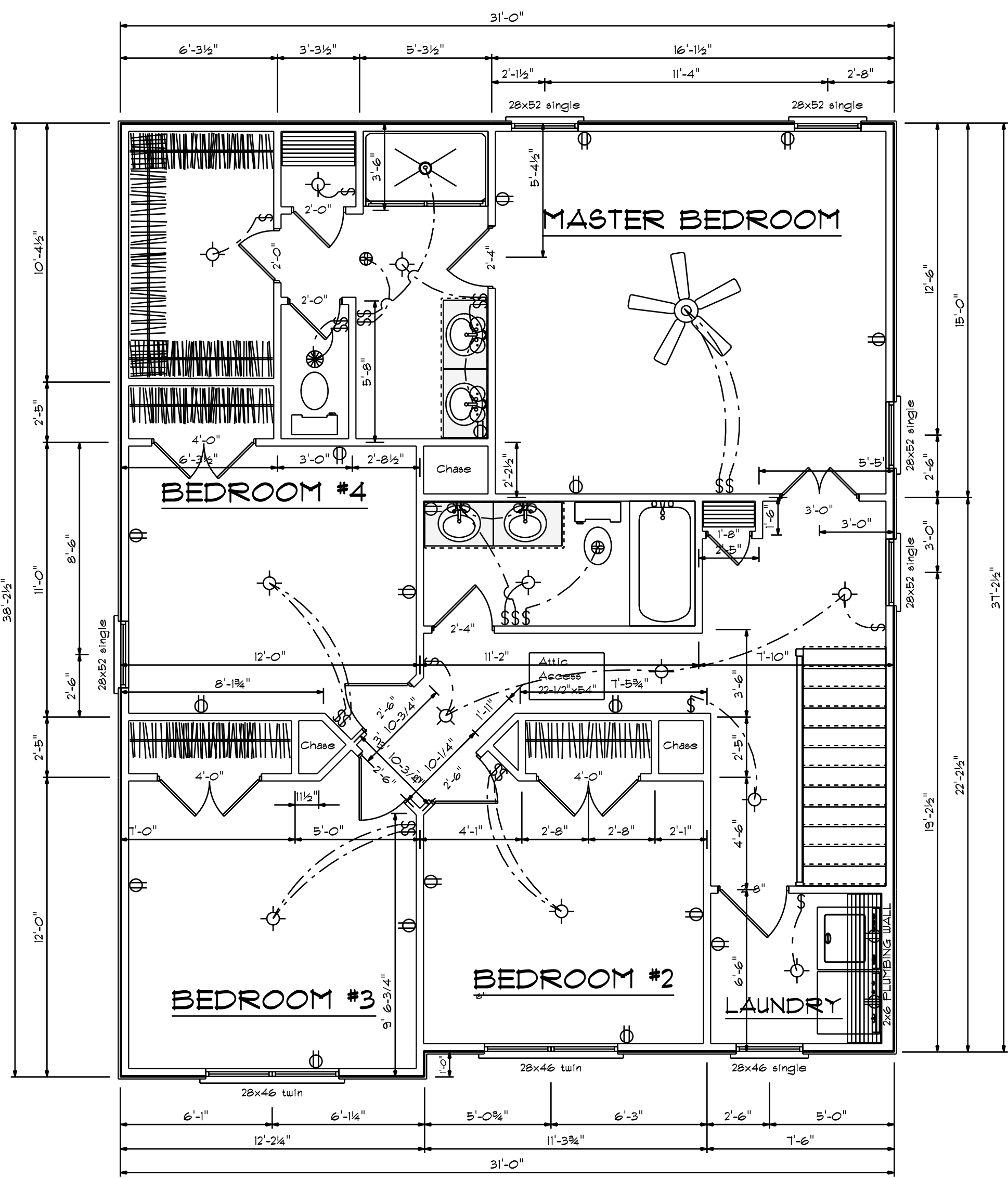
SCALE: 1/4"
DRAWN BY
APPROVED

Plan #10

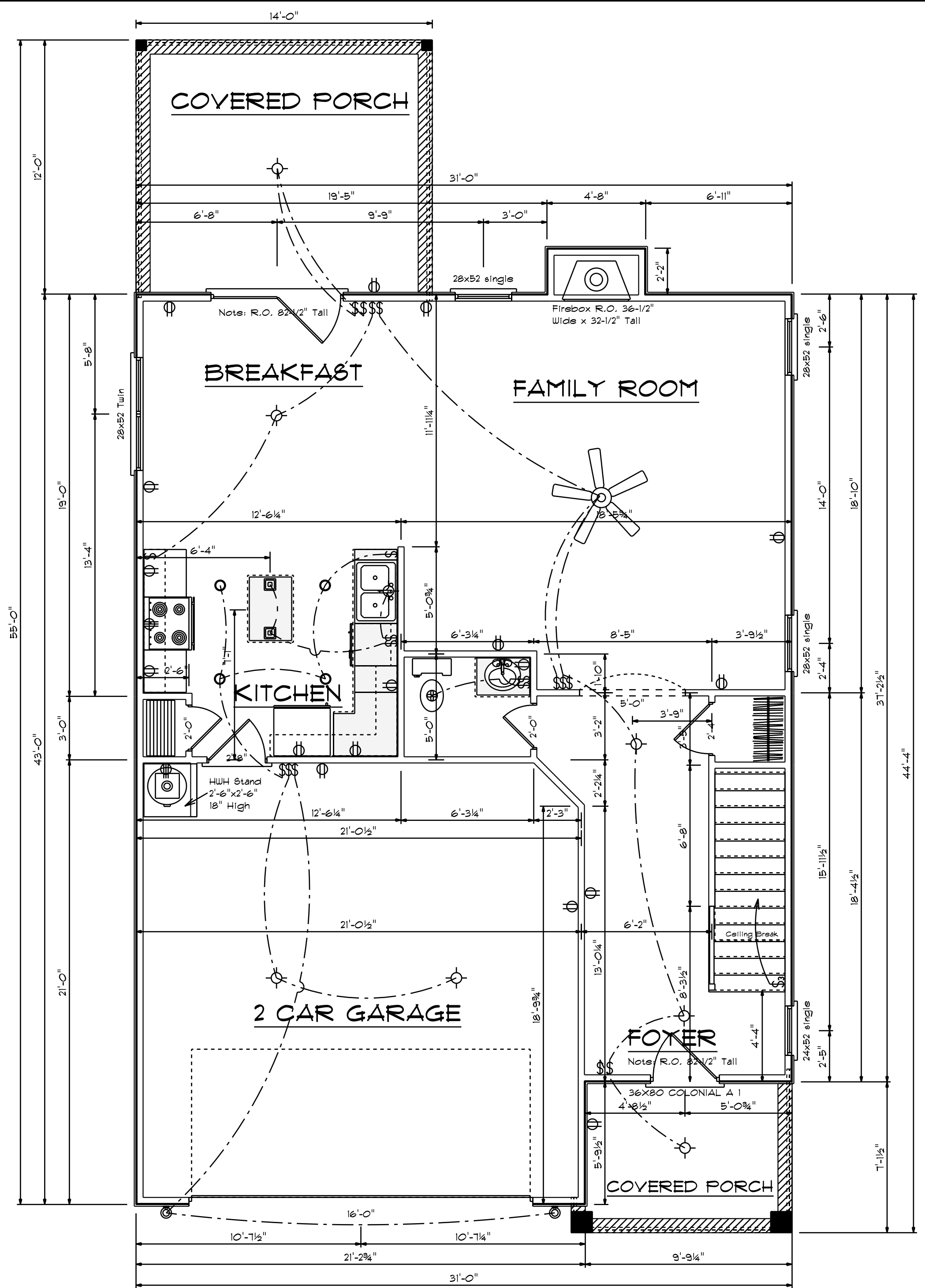


Areas

First Floor	842
Second Floor	1139
=====	
Total Heated	1981
Garage	437
Front Porch	76
Rear Porch	167



Second Floor Plan
Scale: 1/4" = 1'-0"

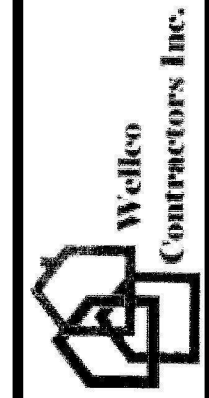


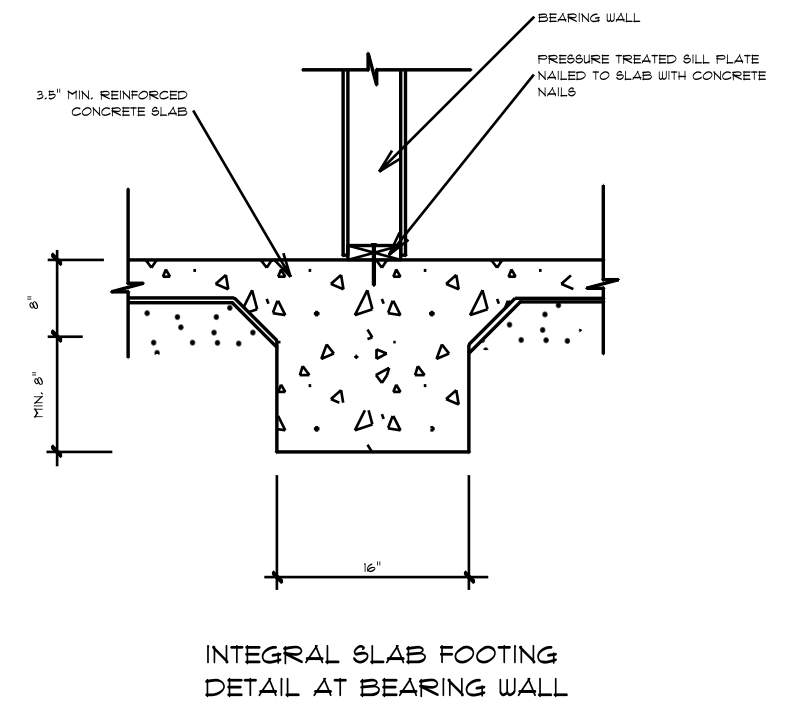
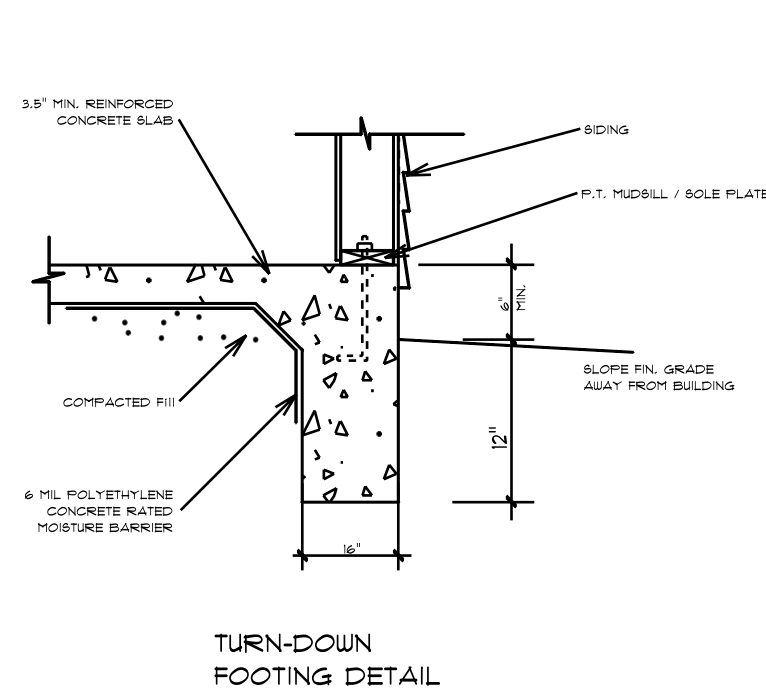
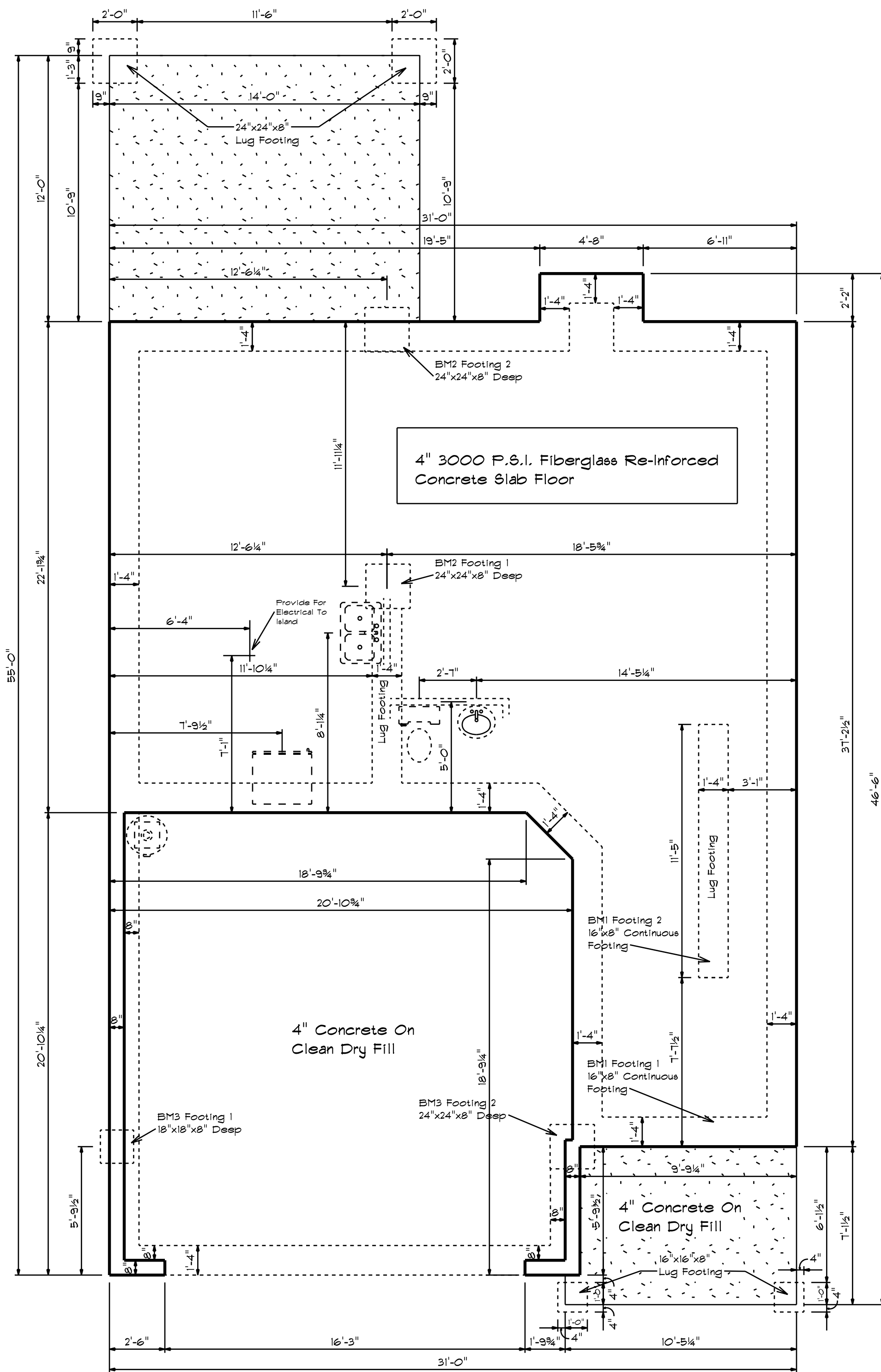
First Floor Plan
Scale: 1/4" = 1'-0"

DATE: Monday, July 22, 2024
REVISY
DRAWING#

SCALE: 1/4"
DRAWN BY
APPROVED

Plan #10





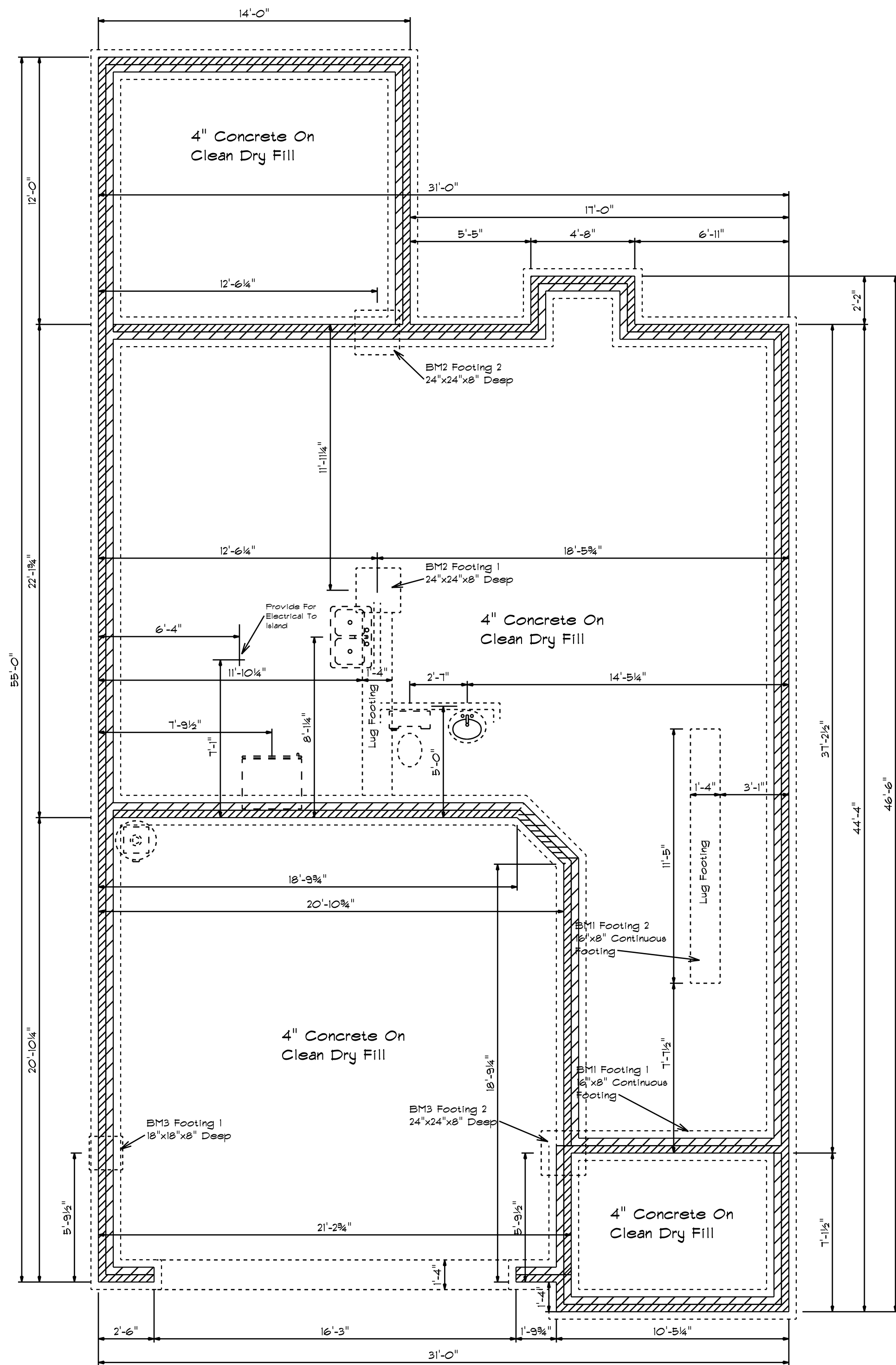
Foundation Plan
Scale: 1/4" = 1'-0"

DATE: Monday, July 22, 2024
REVISED
DRAWING*

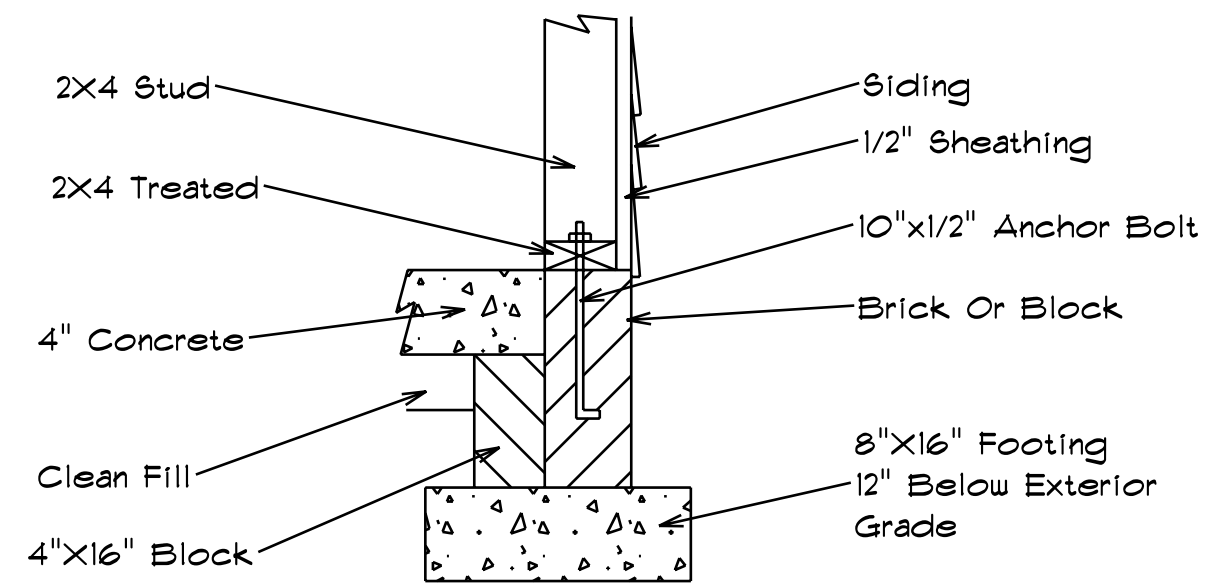
SCALE: 1/4"
DRAWN BY
APPROVED

Plan #10

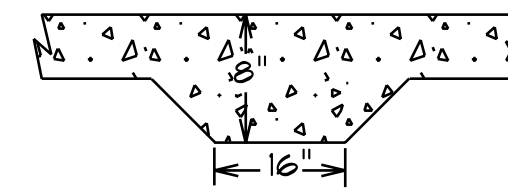




Foundation Detail Siding



Lug Footing Detail



Foundation Plan

Scale: 1/4" = 1'-0"

DATE: Monday, July 22, 2024
 REVISED
 DRAWING*

SCALE: 1/4"
 DRAWN BY
 APPROVED

Plan #10