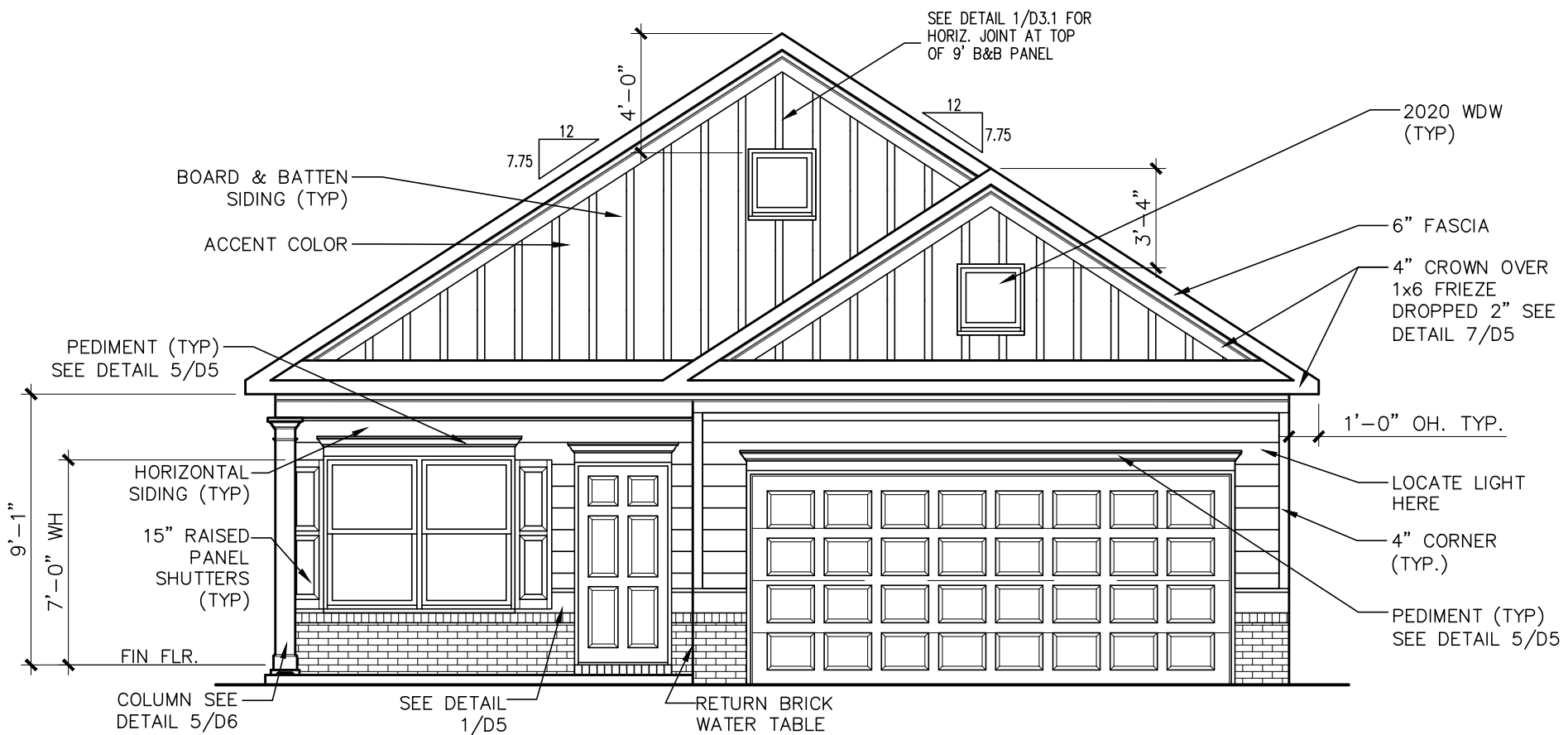


CEDAR POINTE LOT 0009

ALL NON-MASONRY RETURNS TO
BE HORIZONTAL SIDING

SEE SHEET D3 OF SDH TYPICAL
DETAILS FOR SOFFIT DETAILS PER
SOFFIT MATERIAL



FRONT ELEVATION "B"

SCALE: 3/16" = 1'-0"

BY:	REVISION	DATE
#	#	#
#	#	#
#	#	#
#	#	#
#	#	#



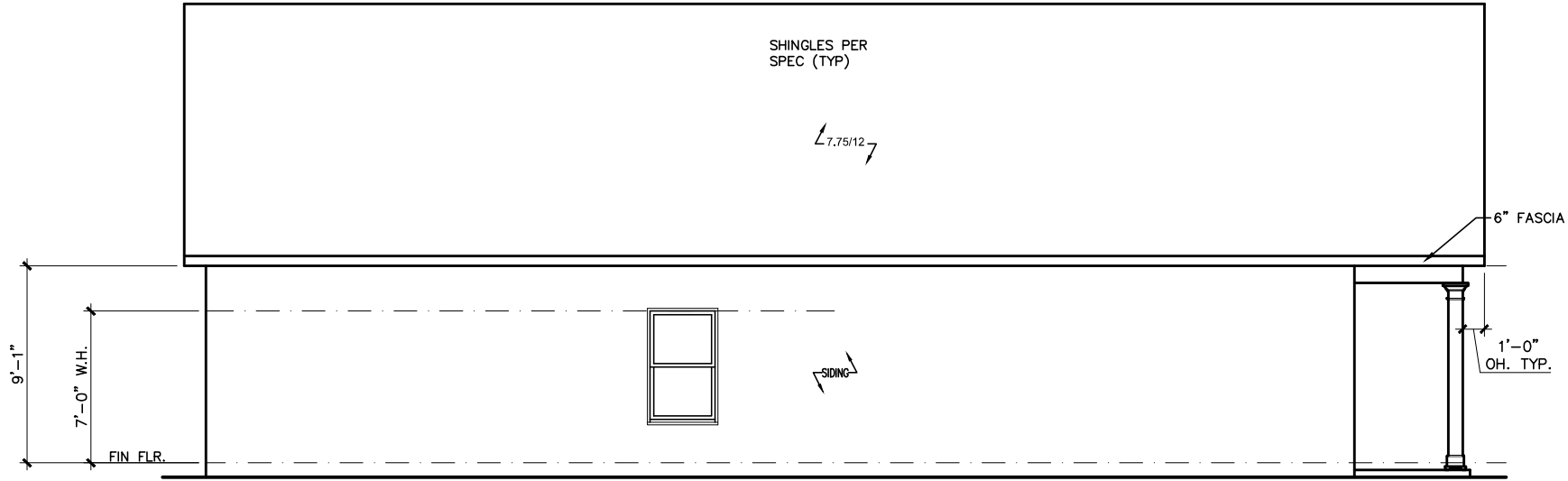
ELEVATIONS
FRONT ELEVATION
PIEDMONT

SMITH DOUGLAS HOMES
110 VILLAGE TRAIL
SUITE 115
WOODSTOCK, GA 30188
www.smithdouglas.com

SMITH DOUGLAS HOMES
expressly reserves its
property rights in these
plans and drawings.
These plans and related
drawings are not to be
reproduced without written
consent from SMITH
DOUGLAS HOMES.

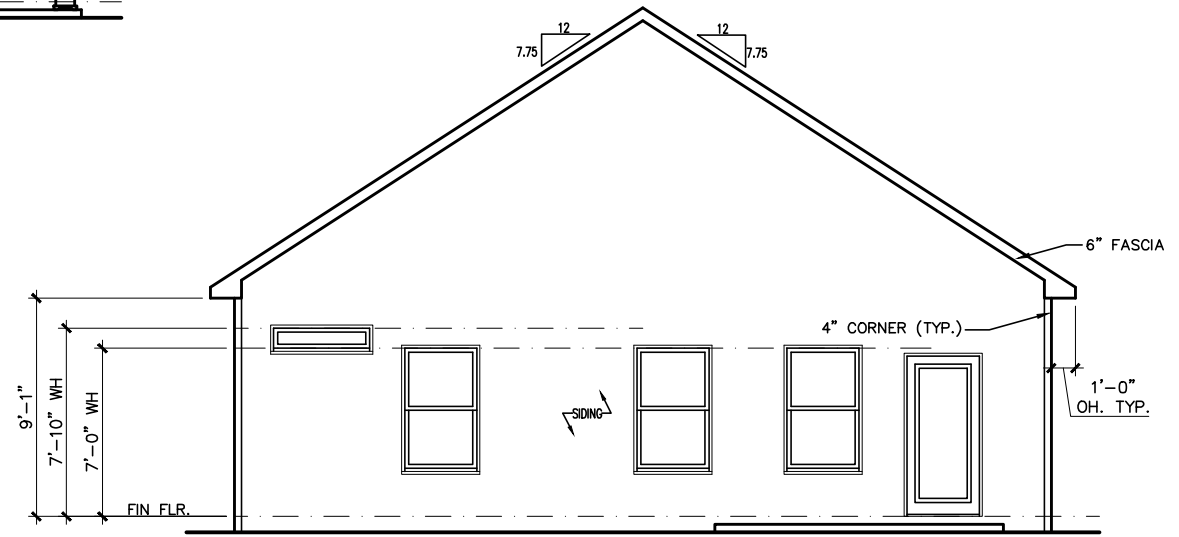
BY:	CH:
BI	AW
DATE: 12/19/24	
FACADE OPT: B	
PLAN ID:	
FND:	ELEV:
ALL	B
PAGE NO: A1.1	

CEDAR POINTE LOT 0009



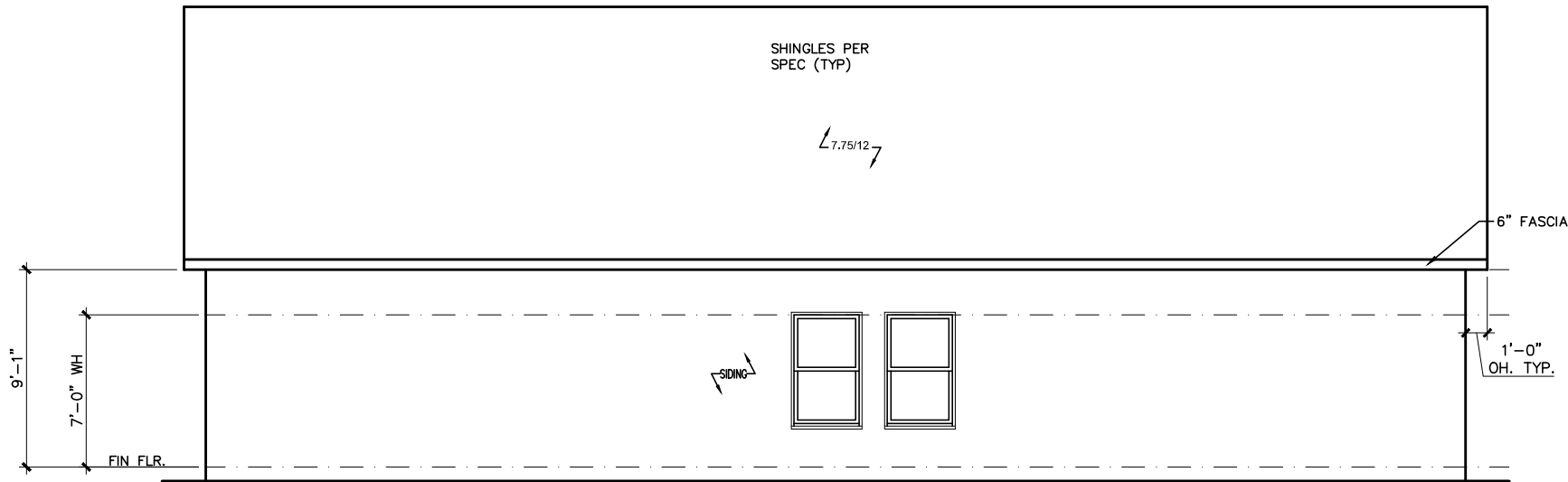
LEFT ELEVATION "B"

SCALE: 1/8" = 1'-0"



REAR ELEVATION "B"

SCALE: 1/8" = 1'-0"



RIGHT ELEVATION "B"

SCALE: 1/8" = 1'-0"

DATE	REVISION	BY



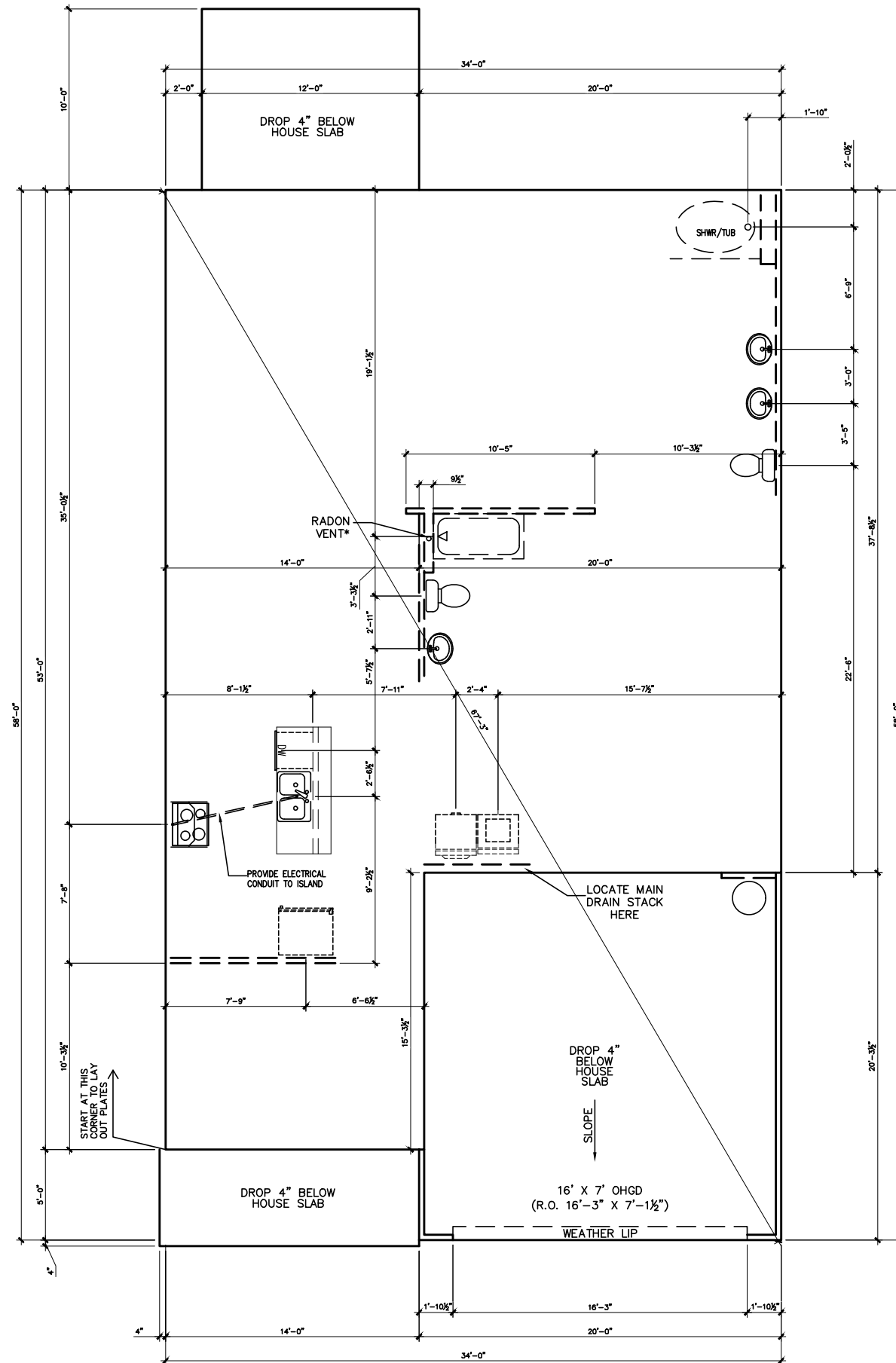
ELEVATIONS
SIDES AND REAR
PIEDMONT

SMITH DOUGLAS HOMES
110 VILLAGE TRAIL
SUITE 115
WOODSTOCK, GA 30188
www.smithdouglas.com

SMITH DOUGLAS HOMES expressly reserves its property rights in these plans and drawings. These plans and related drawings are not to be reproduced without written consent from SMITH DOUGLAS HOMES.

BY: BI	CH: AW
DATE: 12/19/24	
FACADE OPT: B	
PLAN ID:	
FND: ALL	ELEV: B
PAGE NO: A2.1	

CEDAR POINTE LOT 0009



*RADON VENT PROVIDED
PER LOCAL CODE

REFER TO DETAIL 3/D1
FOR BRICK LEDGE
DETAIL WHEN BRICK
VENEER IS CHOSEN

SLAB PLAN

SCALE: 1/8" = 1'-0"

DATE	BY	REVISION



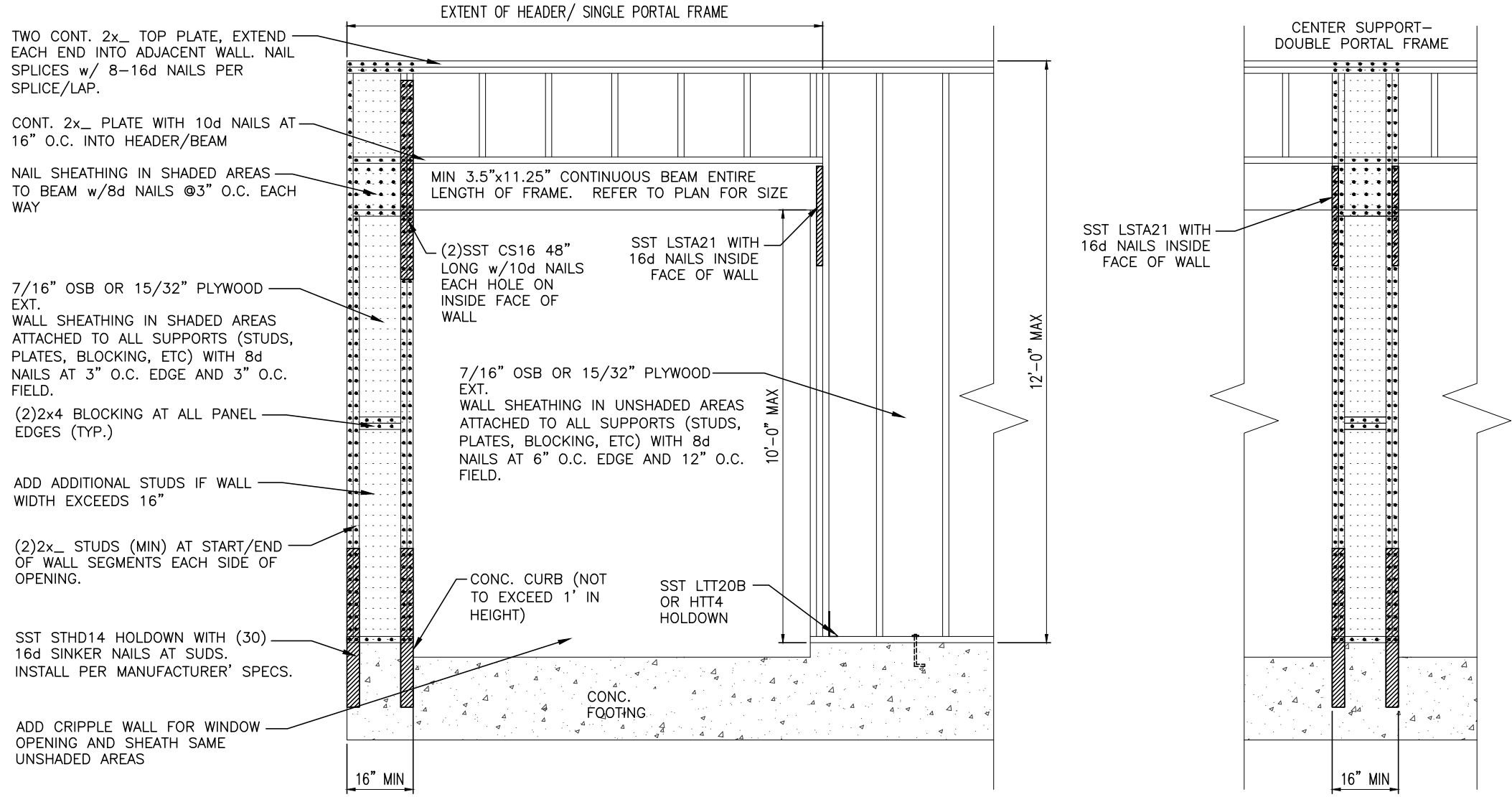
FOUNDATION PLAN
SLAB PLAN
PIEDMONT

SMITH DOUGLAS HOMES
110 VILLAGE TRAIL
SUITE 115
WOODSTOCK, GA 30188
www.smithdouglas.com

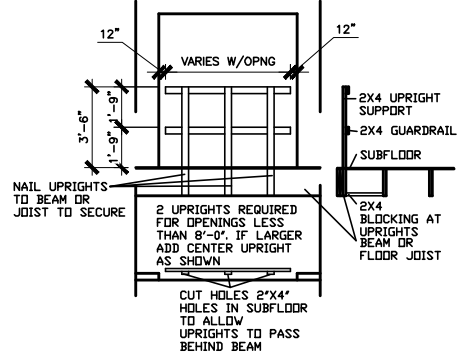
SMITH DOUGLAS HOMES
expressly reserves its
property rights in these
plans and drawings.
These plans and related
drawings are not to be
reproduced without written
consent from SMITH
DOUGLAS HOMES.

BY:	BI	CH:	AW
DATE:	12/19/24		
FACADE OPT:	B		
PLAN ID:			
FND:	ALL	ELEV:	B
PAGE NO:	A3.1		

CEDAR POINTE LOT 0009



1 METHOD PF: PORTAL FRAME DETAIL w/ HOLD-DOWNS
A5.4 3/4" = 1'-0"



2 GUARD RAIL DTL. AS REQ'D
A5.4 N.T.S.

BY:	#	#	#	#	#
REVISION					
DATE					



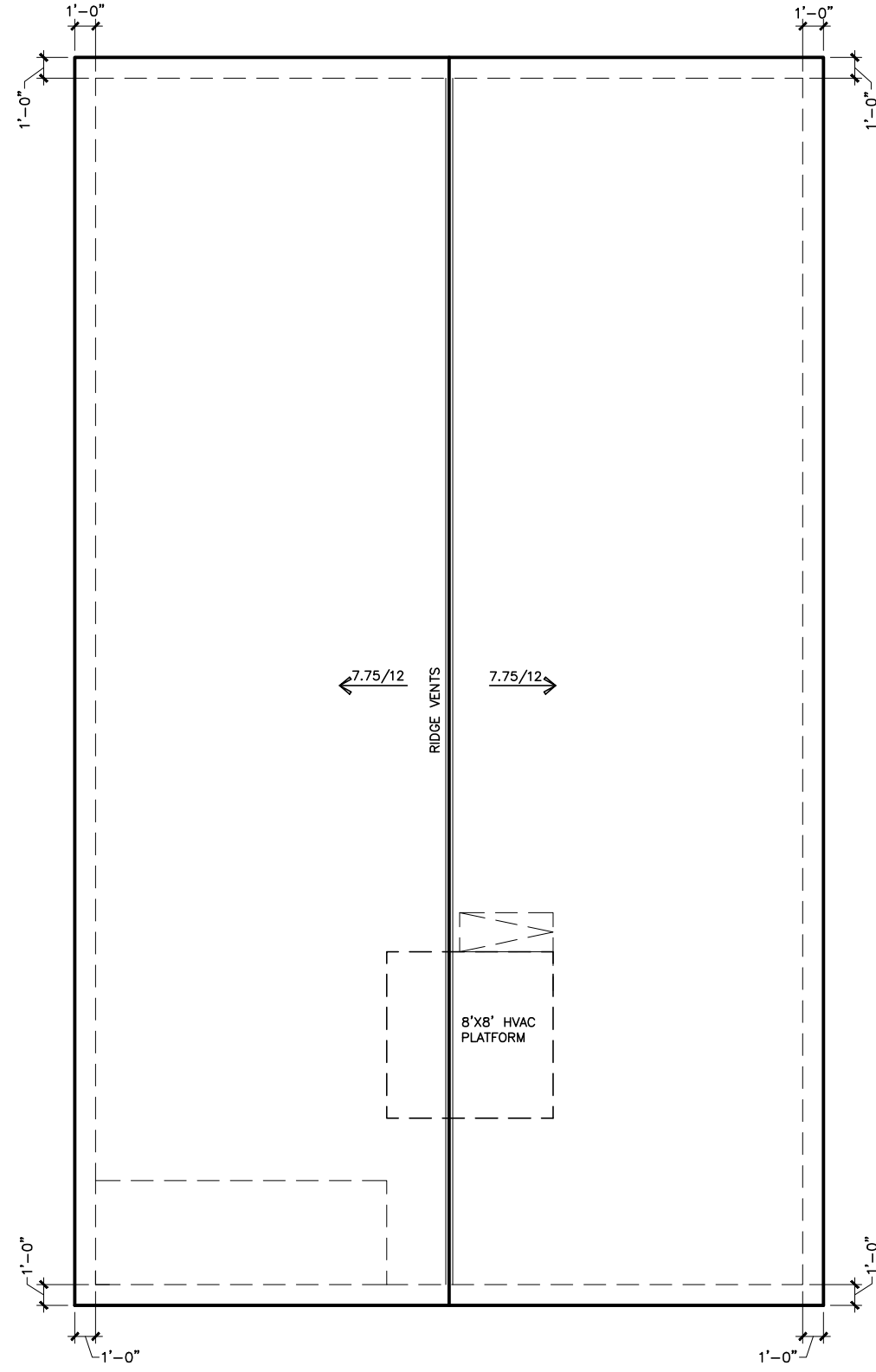
DETAILS
PORTAL DETAIL
PIEDMONT

SMITH DOUGLAS HOMES
110 VILLAGE TRAIL
SUITE 115
WOODSTOCK, GA 30188
www.smithdouglas.com

SMITH DOUGLAS HOMES expressly reserves its property rights in these plans and drawings. These plans and related drawings are not to be reproduced without written consent from SMITH DOUGLAS HOMES.

BY:	BI	CH:	AW
DATE:	12/19/24		
FACADE OPT:	B		
PLAN ID:			
PNL:	ALL	ELEV:	B
PAGE NO:	A5.4		

CEDAR POINTE LOT 0009



ROOF LAYOUT "B"

SCALE : 1/8" = 1'-0"

DATE	REVISION	BY
#	#	#
#	#	#
#	#	#
#	#	#
#	#	#



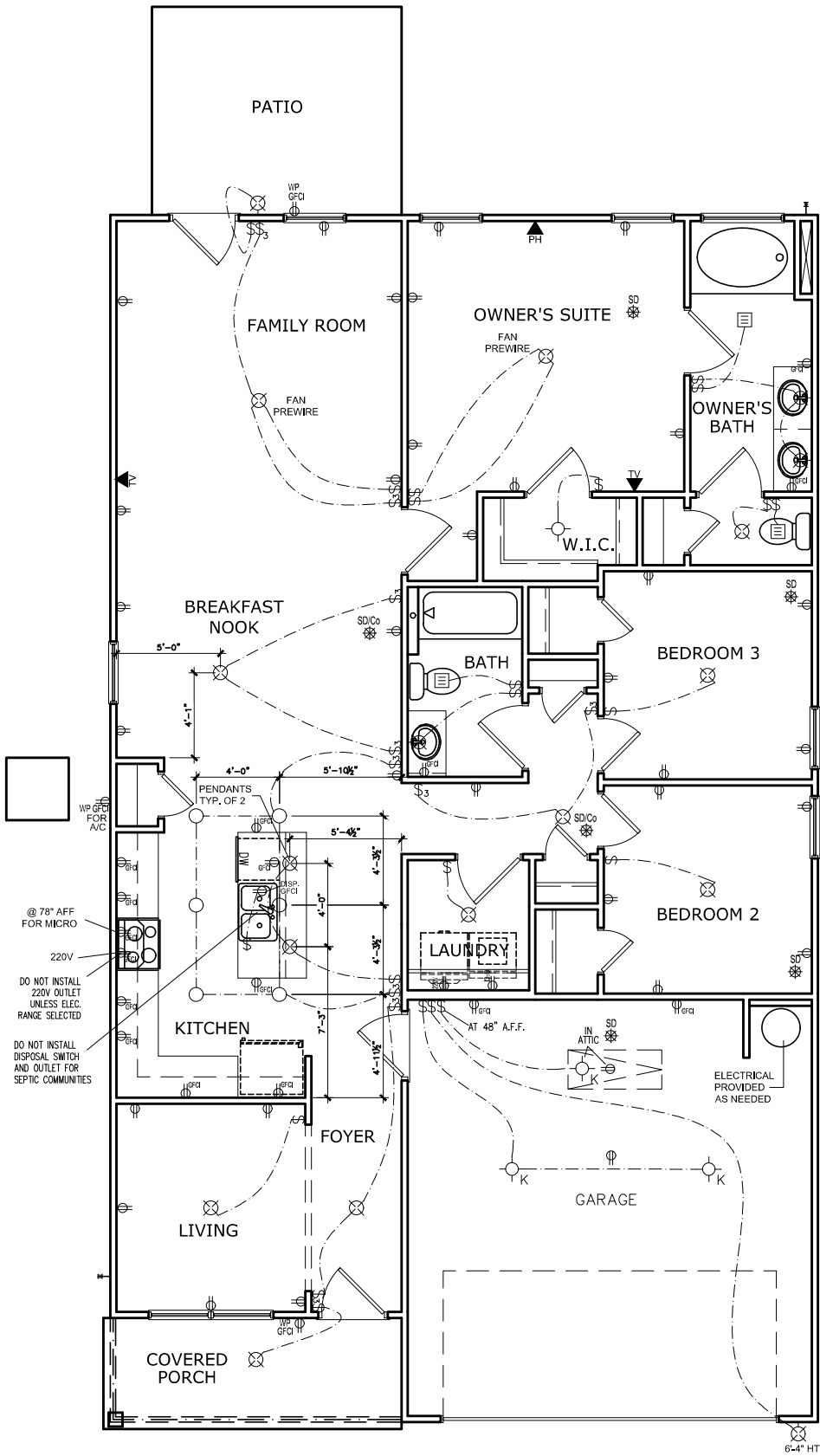
ROOF PLAN
ROOF PLAN
PIEDMONT

SMITH DOUGLAS HOMES
110 VILLAGE TRAIL
SUITE 115
WOODSTOCK, GA 30188
www.smithdouglas.com

SMITH DOUGLAS HOMES expressly reserves its property rights in these plans and drawings. These plans and related drawings are not to be reproduced without written consent from SMITH DOUGLAS HOMES.

BY: BI	CH: AW
DATE: 12/19/24	
FACADE OPT: B	
PLAN ID:	
FND: ALL	ELEV: B
PAGE NO: A6.1	

CEDAR POINTE LOT 0009



WP GFCI FOR A/C
@ 78" AFF FOR MICRO
220V
DO NOT INSTALL 220V OUTLET UNLESS ELEC. RANGE SELECTED
DO NOT INSTALL DISPOSAL SWITCH AND OUTLET FOR SEPTIC COMMUNITIES

ELECTRICAL LEGEND			
\$	SWITCH	TV	TV
\$3	3 WAY SWITCH	⊕	120V RECEPTACLE
\$4	4 WAY SWITCH	⊕	120V SWITCHED RECEPTACLE
⊗	CEILING FIXTURE	⊕	220V RECEPTACLE
⊕ _K	KEYLESS	⊕ _{GFCI}	GFCI OUTLET
⊕ _W	WALL MOUNT FIXTURE	⊕ _{AFCI}	ARCH FAULT CIRCUIT INTERRUPTER
○	CEILING FIXTURE	† _{GL}	GAS LINE
●	FLEX CONDUIT	† _{WL}	WATER LINE
CH	CHIMES	⊥	HOSE BIBB
PH	TELEPHONE	⊕	FLOOD LIGHT
SD/Co	SMOKE DETECTOR & CARBON MONOXIDE	⊕	1x4 LUMINOUS FIXTURE
SO	SECURITY OUTLET	⊕	CEILING FAN
□	GARAGE DOOR OPENER	—	ELECTRICAL WIRING
⊕	EXHAUST FAN	⊕	CEILING FIXTURE
⊕	FAN/LIGHT		

ELECTRICAL PLANS TO FOLLOW ALL LOCAL CODES

APPROX. FIXTURE HGTS (MEASURED FROM BOTTOM OF FIXTURE)

BREAKFAST/DINING ROOM	63" ABOVE FINISHED FLOOR
KITCHEN PENDANT LIGHTS	33" ABOVE COUNTER TOP
TWO STORY FOYER FIXTURE	96" ABOVE FINISHED FLOOR
CEILING FAN	96" ABOVE FINISHED FLOOR

NOTE: FINAL PLACEMENT OF PHONE/CABLE T.B.D. ON SITE BY THE BUILDER

FIRST FLOOR ELECTRICAL PLAN
SCALE: 1/8" = 1'-0"

BY	REVISION	#	#	#	#	#
DATE						



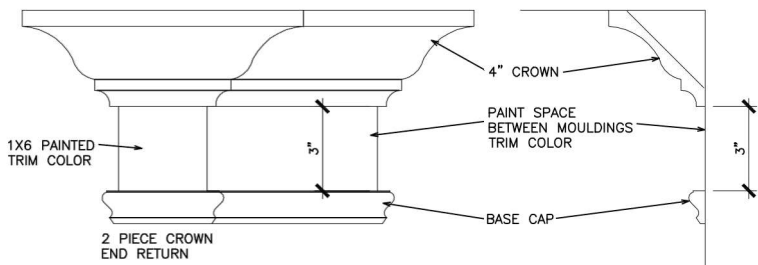
ELECTRICAL PLAN
FIRST FLOOR
PIEDMONT

SMITH DOUGLAS HOMES
110 VILLAGE TRAIL
SUITE 115
WOODSTOCK, GA 30188
www.smithdouglas.com

SMITH DOUGLAS HOMES expressly reserves its property rights in these plans and drawings. These plans and related drawings are not to be reproduced without written consent from SMITH DOUGLAS HOMES.

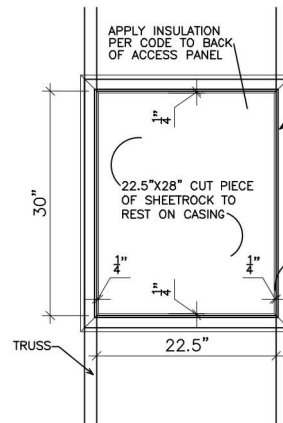
BY:	BI	CH:	AW
DATE:	12/19/24		
FACADE OPT:	B		
PLAN ID:			
FND:	ALL	ELEV:	B
PAGE NO:	A7.2		

REFER TO LOT SPECIFIC PLAN TO DETERMINE WHICH DETAILS APPLY



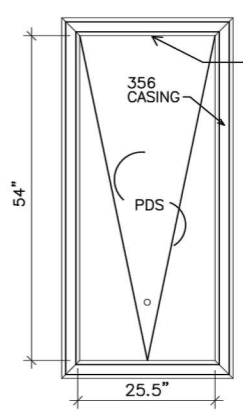
TYPICAL TWO PIECE CROWN

N.T.S.



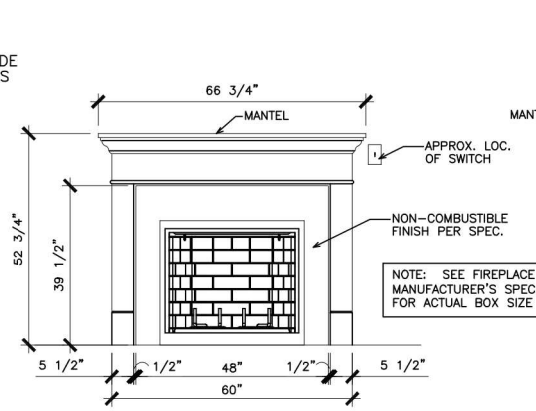
SCUTTLE HOLE DETAIL

N.T.S.



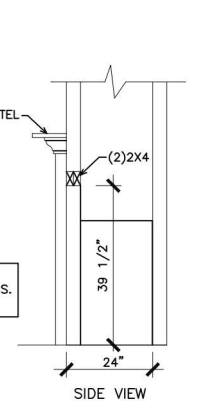
PDS TRIM DETAIL

N.T.S.



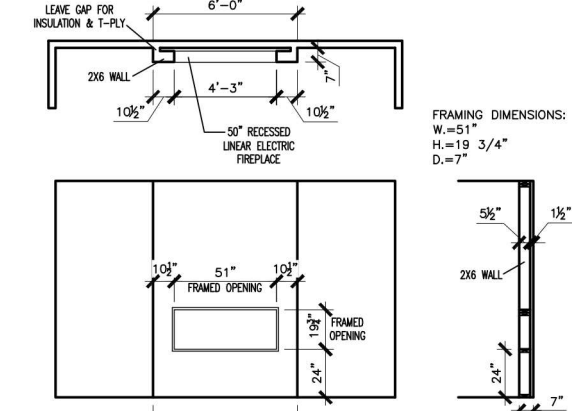
GAS/ELECTRIC FIREPLACE DETAIL WITH WESCOTT WOOD MANTEL

N.T.S.



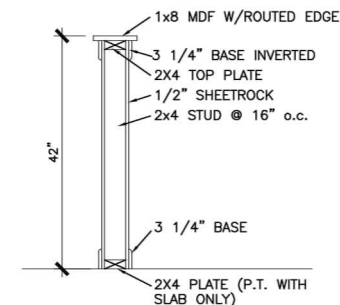
SIDE VIEW

N.T.S.



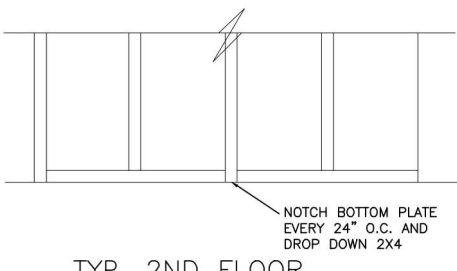
LINEAR ELECTRIC FIREPLACE DETAIL

N.T.S.



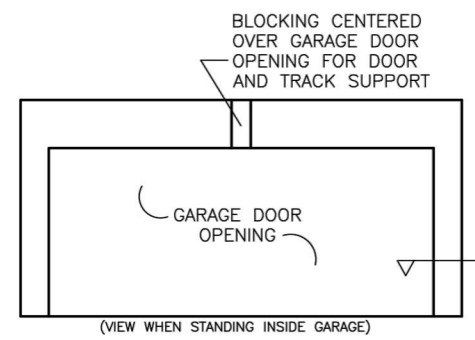
TYP. KNEEWALL SECTION

N.T.S.



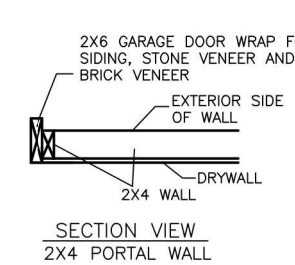
TYP. 2ND FLOOR KNEE WALL STABILITY

N.T.S.



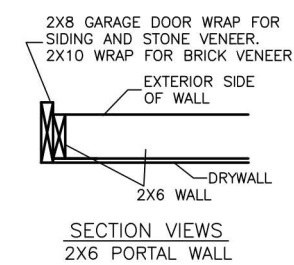
TYP. GARAGE WRAP & BLOCKING

N.T.S.



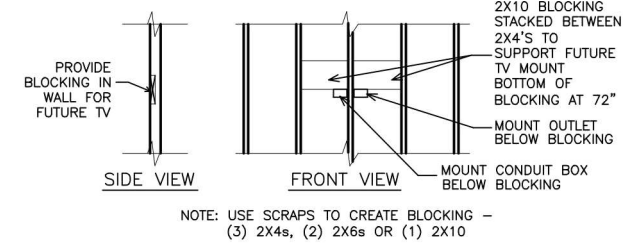
SECTION VIEW 2X4 PORTAL WALL

N.T.S.



SECTION VIEWS 2X6 PORTAL WALL

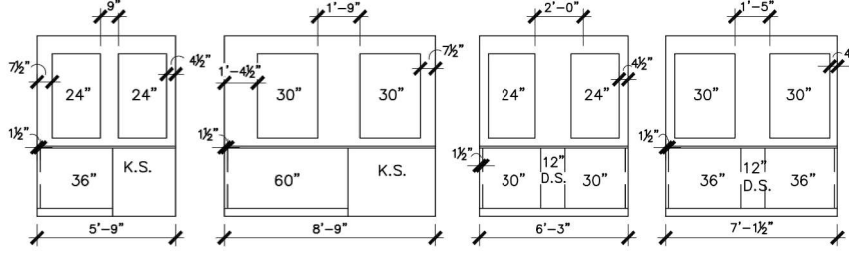
N.T.S.



TYP. TV WALL PREP

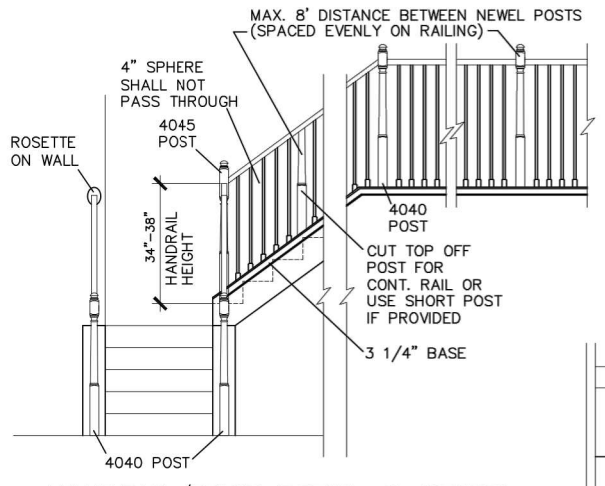
N.T.S.

- MIRRORS ARE TO BE CENTERED ON THE CABINET OR KNEESPACE BELOW.
- SPACE BETWEEN MIRROR AND WALL/CABINET END, MAY NOT MATCH ON EACH SIDE
- MIRRORS ARE LIMITED TO 2 SIZES: 24" & 30"
 - VANITIES 30" & SMALLER RECEIVE THE 24" WIDE MIRROR.
 - VANITIES 33" & LARGER RECEIVE THE 30" WIDE MIRROR.
 - HEIGHTS DO NOT CHANGE.
 - SEE P.O. FOR EXACT WIDTH.
- SEE THE BELOW EXAMPLE DRAWINGS. DIMENSIONS ARE APPROXIMATE.



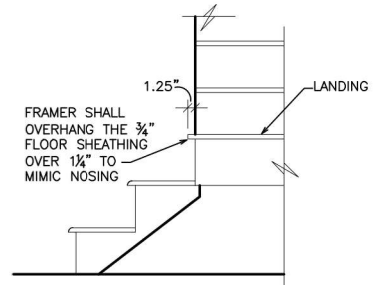
TYPICAL SPLIT MIRROR SCENARIOS

N.T.S.



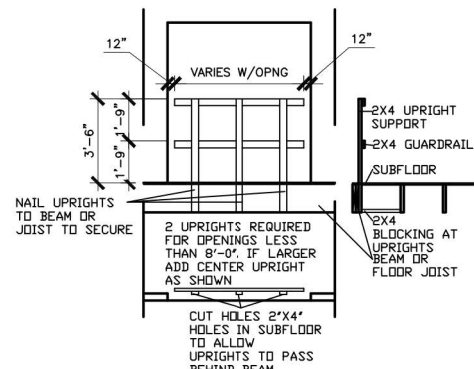
HANDRAIL/POST DETAIL @ STAIRS

N.T.S.



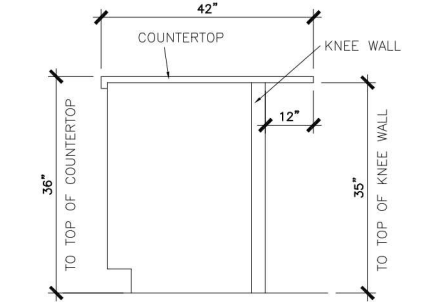
BOX STEP OVERHANG

N.T.S.



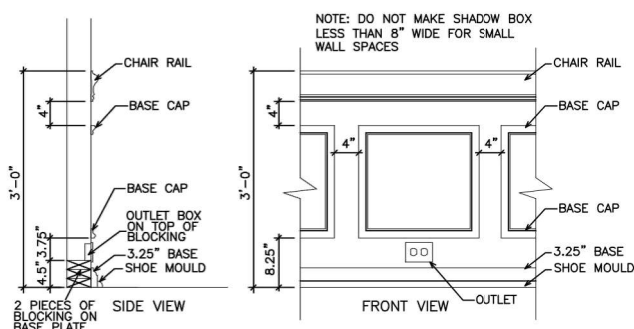
GUARD RAIL DTL. AS REQ'D

N.T.S.



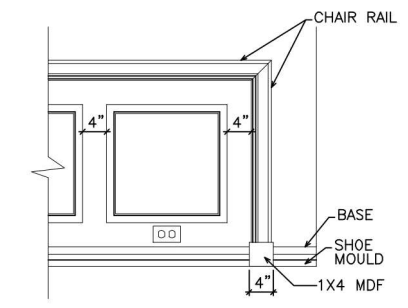
SECTION @ ISLAND KNEEWALL

N.T.S.



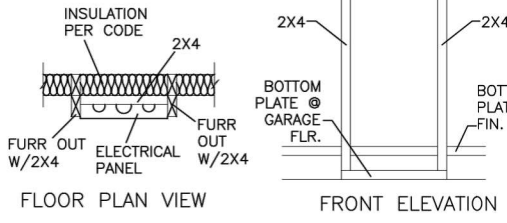
TYPICAL CHAIR RAIL & SHADOW BOX DETAIL

N.T.S.



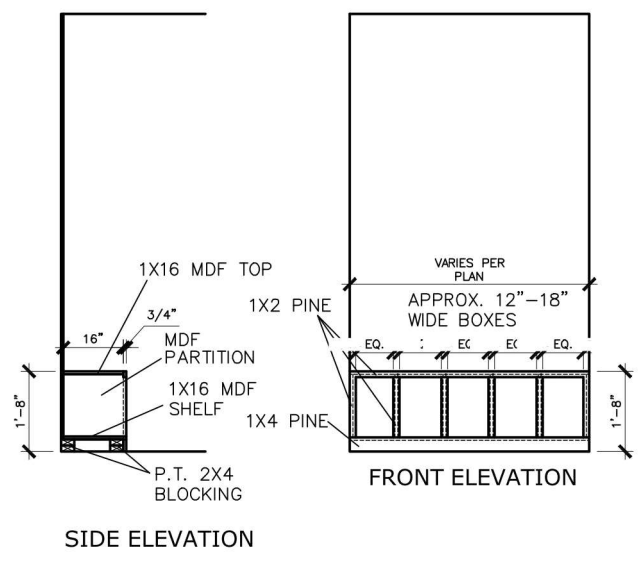
CHAIR RAIL END TRIM DETAIL

N.T.S.



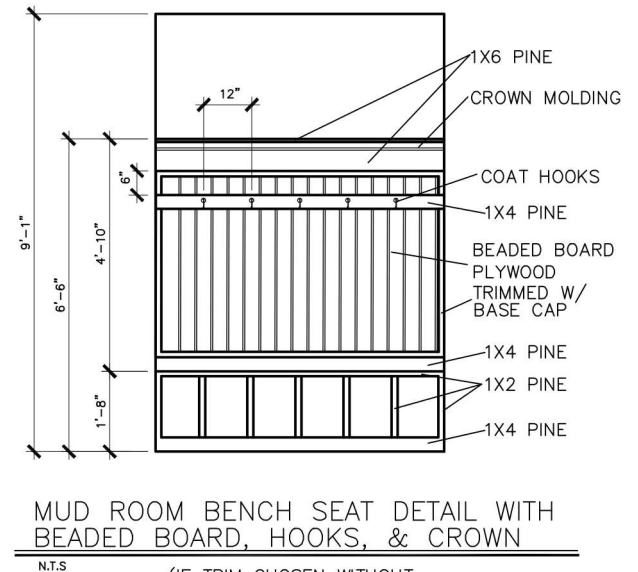
ELECTRICAL PANEL DETAIL

N.T.S.



MUD ROOM BENCH SEAT DETAIL

N.T.S.



MUD ROOM BENCH SEAT DETAIL WITH BEADED BOARD, HOOKS, & CROWN

N.T.S.

(IF TRIM CHOSEN WITHOUT BENCH CONTINUE TO FLOOR)

© SMITH DOUGLAS HOMES 2023

BY	REVISION
DATE	

SMITH DOUGLAS HOMES
QUALITY | INTEGRITY | VALUE

INTERIOR TRIM
DETAILS

SMITH DOUGLAS HOMES
110 VILLAGE TRAIL
SUITE 215
WOODSTOCK, GA 30188
www.smithdouglas.com

SMITH DOUGLAS HOMES expressly reserves its property rights in these plans and drawings. These plans and related drawings are not to be reproduced without written consent from SMITH DOUGLAS HOMES.

BY:	CH:
DATE:	6/13/23
FAÇADE OPT:	
PLAN ID:	
FND:	ELEV:
PAGE NO:	D1.1

DESIGN SPECIFICATIONS:

Construction Type: Commercial Residential

Applicable Building Codes:

- 2018 North Carolina Residential Building Code with All Local Amendments
- ASCE 7-10: Minimum Design Loads for Buildings and Other Structures

Design Loads:

- Roof Live Loads
 - Conventional 2x 20 PSF
 - Truss 20 PSF
 - Attic Truss 60 PSF
- Roof Dead Loads
 - Conventional 2x 10 PSF
 - Truss 20 PSF
- Snow 15 PSF
 - Importance Factor 1.0
- Floor Live Loads
 - Typ. Dwelling 40 PSF
 - Sleeping Areas 30 PSF
 - Decks 40 PSF
 - Passenger Garage 50 PSF
- Floor Dead Loads
 - Conventional 2x 10 PSF
 - 1-Joist 15 PSF
 - Floor Truss 15 PSF
- Ultimate Design Wind Speed (3 sec. gust) 130 MPH
 - Exposure B
 - Importance Factor 1.0
 - Wind Base Shear
 - V_x =
 - V_y =
- Component and Cladding (in PSF)

MEAN ROOF HT.	UP TO 30'	30'-35'	35'-40'	40'-45'
ZONE 1	16.7-18.0	17.5-18.9	18.2-19.6	18.7-20.2
ZONE 2	16.7-21.0	17.5-22.1	18.2-22.9	18.7-23.5
ZONE 3	16.7-21.0	17.5-22.1	18.2-22.9	18.7-23.5
ZONE 4	18.2-19.0	19.2-20.0	19.9-20.7	20.4-21.3
ZONE 5	18.2-24.0	19.2-25.2	19.9-26.1	20.4-26.9

8. Seismic

- Site Class D
- Design Category C
- Importance Factor 1.0
- Seismic Use Group I
- Spectral Response Acceleration
 - S_{ms} = %g
 - S_{m1} = %g
- Seismic Base Shear
 - V_x =
 - V_y =
- Basic Structural System (check one)
 - Bearing Wall
 - Building Frame
 - Moment Frame
 - Dual w/ Special Moment Frame
 - Dual w/ Intermediate R/C or Special Steel
 - Inverted Pendulum
- Arch/Mech Components Anchored No
- Lateral Design Control: Seismic Wind
- Assumed Soil Bearing Capacity 2000psf



UES PROFESSIONAL SOLUTIONS 29, INC
FORMERLY SUMMIT ENGINEERING, LABORATORY, & TESTING INC.

STRUCTURAL PLANS PREPARED FOR:

PIEDMONT - RH

PROJECT ADDRESS: TBD
 OWNER: Smith Douglas Homes - Raleigh
 2520 Reliance Ave.
 Apex, NC 27539

ARCHITECT/DESIGNER:
 Smith Douglas Homes
 110 Village Trail, Suite 215
 Woodstock, GA 30188

These drawings are to be coordinated with the architectural, mechanical, plumbing, electrical, and civil drawings. This coordination is not the responsibility of the structural engineering of record (SER). Should any discrepancies become apparent, the contractor shall notify UES Professional Solutions, Inc. before construction begins.

PLAN ABBREVIATIONS:

AB	ANCHOR BOLT	PT	PRESSURE TREATED
AFF	ABOVE FINISHED FLOOR	RS	ROOF SUPPORT
CJ	CEILING JOIST	SC	STUD COLUMN
CLR	CLEAR	SJ	SINGLE JOIST
DJ	DOUBLE JOIST	SPF	SPRUCE PINE FIR
DSP	DOUBLE STUD POCKET	SST	SIMPSON STRONG-TIE
EE	EACH END	SYF	SOUTHERN YELLOW PINE
EW	EACH WAY	TJ	TRIPLE JOIST
NTS	NOT TO SCALE	TSP	TRIPLE STUD POCKET
OC	ON CENTER	TYP	TYPICAL
PSF	POUNDS PER SQUARE FOOT	UNO	UNLESS NOTED OTHERWISE
PSI	POUNDS PER SQUARE INCH	WUF	WELDED WIRE FABRIC

Roof truss and floor joist layouts, and their corresponding loading details, were not provided to UES Professional Solutions, Inc. (UES) prior to the initial design. Therefore, truss and joist directions were assumed based on the information provided by SMITH DOUGLAS HOMES. Subsequent plan revisions based on roof truss and floor joist layouts shall be noted in the revision list, indicating the date the layouts were provided. Should any discrepancies become apparent, the contractor shall notify UES immediately.

SHEET LIST:

Sheet No.	Description
CS1	Cover Sheet, Specifications, Revisions
CS2	Specifications Continued
SI.0m	Monolithic Slab Foundation
SI.0s	Stem Wall Foundation
SI.0c	Crawl Space Foundation
SI.0.4b	4-Sides Brick Crawl Space Foundation
SI.0b	Basement Foundation
S2.0	Basement Framing Plan
S3.0	First Floor Framing Plan
S4.0	Second Floor Framing Plan
S5.0	Roof Framing Plan
S6.0	Basement Bracing Plan
S7.0	First Floor Bracing Plan
S8.0	Second Floor Bracing Plan

REVISION LIST:

Revision No.	Date	Description
1	10/23/20	Updated porch header callout
2	11/17/20	Updated beam sizing on the optional large covered patio & changed posts to 4x4
3	07/07/21	Added LIB Bracing Options
4	11/06/23	Moved rear deck per client email
5	05/02/24	Updated porch header callout

**Cedar Pointe
Lot 9**



STRUCTURAL MEMBERS ONLY



UES PROFESSIONAL SOLUTIONS 29, INC.
 FORMERLY SUMMIT ENGINEERING,
 LABORATORY, & TESTING, INC.

10121 Pineville Distribution St
 Pineville, NC 28134
 Office: 704.504.1717
 Fax: 704.504.1125
 www.teamues.com



PROJECT: Piedmont - RH
 Coversheet
 CLIENT: Smith Douglas Homes - Raleigh
 2520 Reliance Ave.
 Apex, NC 27539

DRAWING

DATE: 05/02/2024
 SCALE: 1/8"=1'-0"
 PROJECT #: A20111.000403.000
 DRAWN BY: EMB
 CHECKED BY: GMB

ORIGINAL INFORMATION

PROJECT # 3832379 DATE 10/19/20
 REFER TO COVER SHEET FOR A COMPLETE LIST OF REVISIONS

SHEET

CS1

GENERAL STRUCTURAL NOTES:

- The design professional whose seal appears on these drawings is the structural engineer of record (SER) for this project. The SER bears the responsibility of the primary structural elements and the performance of this structure. No other party may revise, alter, or delete any structural aspects of these construction documents without written permission of UES Professional Solutions, Inc. (UES) or the SER. For the purposes of these construction documents the SER and UES shall be considered the same entity.
- The structure is only stable in its completed form. The contractor shall provide all required temporary bracing during construction to stabilize the structure.
- The SER is not responsible for construction sequences, methods, or techniques in connection with the construction of this structure. The SER will not be held responsible for the contractor's failure to conform to the contract documents, should any non-conformities occur.
- Any structural elements or details not fully developed on the construction drawings shall be completed under the direction of a licensed professional engineer. These shop drawings shall be submitted to UES for review before any construction begins. The shop drawings will be reviewed for overall compliance as it relates to the structural design of this project. Verification of the shop drawings for dimensions, or for actual field conditions, is not the responsibility of the SER or UES.
- Verification of assumed field conditions is not the responsibility of the SER. The contractor shall verify the field conditions for accuracy and report any discrepancies to UES before construction begins.
- The SER is not responsible for any secondary structural elements or non-structural elements, except for the elements specifically noted on the structural drawings.
- This structure and all construction shall conform to all applicable sections of the international residential code.
- This structure and all construction shall conform to all applicable sections of local building codes.
- All structural assemblies are to meet or exceed to requirements of the current local building code.

FOUNDATIONS:

- The structural engineer has not performed a subsurface investigation. Verification of this assumed value is the responsibility of the owner or the contractor. Should any adverse soil condition be encountered the SER must be contacted before proceeding.
- The bottom of all footings shall extend below the frost line for the region in which the structure is to be constructed. However, the bottom of all footings shall be a minimum of 12" below grade.
- Any fill shall be placed under the direction or recommendation of a licensed professional engineer.
- The resulting soil shall be compacted to a minimum of 95% maximum dry density.
- Excavations of footings shall be lined temporarily with a 6 mil polyethylene membrane if placement of concrete does not occur within 24 hours of excavation.
- No concrete shall be placed against any subgrade containing water, ice, frost, or loose material.

STRUCTURAL STEEL:

- Structural steel shall be fabricated and erected in accordance with the American Institute of Steel Construction "Code of Standard Practice for Steel Buildings and Bridges" and the manual of Steel Construction "Load Resistance Factor Design" latest editions.
- Structural steel shall receive one coat of shop applied rust-inhibitive paint.
- All steel shall have a minimum yield stress (F_y) of 36 ksi unless otherwise noted.
- Welding shall conform to the latest edition of the American Welding Society's Structural Welding Code AWS D11. Electrodes for shop and field welding shall be class E70XX. All welding shall be performed by a certified welder per the above standards.

CONCRETE:

- Concrete shall have a normal weight aggregate and a minimum compressive strength (f'_c) at 28 days of 3000 psi, unless otherwise noted on the plan.
- Concrete shall be proportioned, mixed, and placed in accordance with the latest editions of ACI 318: "Building Code Requirements for Reinforced Concrete" and ACI 301: "Specifications for Structural Concrete for Buildings".
- Air entrained concrete must be used for all structural elements exposed to freeze/thaw cycles and deicing chemicals. Air entrainment amounts (in percent) shall be within -1% to +2% of target values as follows:
 - Footings: 5%
 - Exterior Slabs: 5%
- No admixtures shall be added to any structural concrete without written permission of the SER.
- Concrete slabs-on-grade shall be constructed in accordance with ACI 302.1R-96: "Guide for Concrete Slab and Slab Construction".
- The concrete slab-on-grade has been designed using a subgrade modulus of $k=250$ pci and a design loading of 200 psf. The SER is not responsible for differential settlement, slab cracking or other future defects resulting from unreported conditions not in accordance with the above assumptions.
- Control or saw cut joints shall be spaced in interior slabs-on-grade at a maximum of 15'-0" O.C. and in exterior slabs-on-grade at a maximum of 10'-0" unless otherwise noted.
- Control or saw cut joints shall be produced using conventional process within 4 to 12 hours after the slab has been finished.
- Reinforcing steel may not extend through a control joint. Reinforcing steel may extend through a saw cut joint.
- All welded wire fabric (WWF) for concrete slabs-on-grade shall be placed at mid-depth of slab. The WWF shall be securely supported during the concrete pour.

CONCRETE REINFORCEMENT:

- Fibrous concrete reinforcement, or fiber mesh, specified in concrete slabs-on-grade may be used for control of cracking due to shrinkage and thermal expansion/contraction, lowered water migration, an increase in impact capacity, increased abrasion resistance, and residual strength.
- Fiber mesh reinforcing to be 100% virgin polypropylene fibers containing no reprocessed olefin materials and specifically manufactured for use as concrete secondary reinforcement.
- Application of fiber mesh per cubic yard of concrete shall equal a minimum of 0.1% by volume (15 pounds per cubic yard)
- Fiber mesh shall comply with ASTM C1116, any local building code requirements, and shall meet or exceed the current industry standard.
- Steel reinforcing bars shall be new billet steel conforming to ASTM A615, grade 60.
- Detailing, fabrication, and placement of reinforcing steel shall be in accordance with the latest edition of ACI 315: "Manual of Standard Practice for Detailing Concrete Structures"
- Horizontal footing and wall reinforcement shall be continuous and shall have 90° bends, or corner bars with the same size/spacing as the horizontal reinforcement with a class B tension splice.
- Lap reinforcement as required, a minimum of 40 bar diameters for tension or compression unless otherwise noted. Splices in masonry shall be a minimum of 48 bar diameters.
- Where reinforcing dowels are required, they shall be equivalent in size and spacing to the vertical reinforcement. The dowel shall extend 48 bar diameters vertically and 20 bar diameters into the footing.
- Where reinforcing steel is required vertically, dowels shall be provided unless otherwise noted.

WOOD FRAMING:

- Solid sawn wood framing members shall conform to the specifications listed in the latest edition of the "National Design Specification for Wood Construction" (NDS). Unless otherwise noted, all wood framing members are designed to be Southern-Yellow-Pine (SYP) #2.
- LVL or PSL engineered wood shall have the following minimum design values:
 - $E = 1,900,000$ psi
 - $F_b = 2600$ psi
 - $F_v = 285$ psi
 - $F_c = 100$ psi
- Wood in contact with concrete, masonry, or earth shall be pressure treated in accordance with AWPA standard C-15. All other moisture exposed wood shall be treated in accordance with AWPA standard C-2
- Nails shall be common wire nails unless otherwise noted.
- Lag screws shall conform to ANSI/ASME standard B18.2.1-1981. Lead holes for lag screws shall be in accordance with NDS specifications.
- All beams shall have full bearing on supporting framing members unless otherwise noted.
- Exterior and load bearing stud walls are to be 2x4 SYP #2 @ 16" O.C. unless otherwise noted. Studs shall be continuous from the sole plate to the double top plate. Studs shall only be discontinuous at headers for window/door openings. A minimum of one king stud shall be placed at each end of the header. King studs shall be continuous.
- Individual studs forming a column shall be attached with one 10d nail @ 6" O.C. staggered. The stud column shall be continuous to the foundation or beam. The column shall be properly blocked at all floor levels to ensure proper load transfer.
- Multi-ply beams shall have each ply attached with (3) 10d nails @ 24" O.C.
- Four and five ply beams shall be bolted together with (2) rows of 1/2" diameter through bolts staggered @ 24" O.C. unless noted otherwise.

WOOD TRUSSES:

- The wood truss manufacturer/fabricator is responsible for the design of the wood trusses. Submit sealed shop drawings and supporting calculations to the SER for review prior to fabrication. The SER shall have a minimum of five (5) days for review. The review by the SER shall review for overall compliance with the design documents. The SER shall assume no responsibility for the correctness for the structural design for the wood trusses.
- The wood trusses shall be designed for all required loadings as specified in the local building code, the ASCE Standard "Minimum Design Loads for Buildings and Other Structures." (ASCE 7-10), and the loading requirements shown on these specifications. The truss drawings shall be coordinated with all other construction documents and provisions provided for loads shown on these drawings including but not limited to HVAC equipment, piping, and architectural fixtures attached to the trusses.
- The trusses shall be designed, fabricated, and erected in accordance with the latest edition of the "National Design Specification for Wood Construction." (NDS) and "Design Specification for Metal Plate Connected Wood Trusses."
- The truss manufacturer shall provide adequate bracing information in accordance with "Commentary and Recommendations for Handling, Installing, and Bracing Metal Plate Connected Wood Trusses" (HIB-91). This bracing, both temporary and permanent, shall be shown on the shop drawings. Also, the shop drawings shall show the required attachments for the trusses.
- Any chords or truss webs shown on these drawings have been shown as a reference only. The final design of the trusses shall be per the manufacturer.

EXTERIOR WOOD FRAMED DECKS:

- Decks are to be framed in accordance with local building codes and as referenced on the structural plans, either through code references or construction details.

WOOD STRUCTURAL PANELS:

- Fabrication and placement of structural wood sheathing shall be in accordance with the APA Design/Construction Guide "Residential and Commercial," and all other applicable APA standards.
- All structurally required wood sheathing shall bear the mark of the APA.
- Wood wall sheathing shall comply with the requirements of local building codes for the appropriate state as indicated on these drawings. Refer to wall bracing notes in plan set for more information. Sheathing shall be applied with the long direction perpendicular to framing, unless noted otherwise.
- Roof sheathing shall be APA rated sheathing exposure 1 or 2. Roof sheathing shall be continuous over two supports and attached to its supporting roof framing with (1)-8d CC nail at 6"o/c at panel edges and at 12"o/c in panel field unless otherwise noted on the plans. Sheathing shall be applied with the long direction perpendicular to framing. Sheathing shall have a span rating consistent with the framing spacing. Use suitable edge support by use of plywood clips or lumber blocking unless otherwise noted. Panel end joints shall occur over framing. Apply building paper over the sheathing as required by the state Building Code.
- Wood floor sheathing shall be APA rated sheathing exposure 1 or 2. Attach sheathing to its supporting framing with (1)-8d CC ringshank nail at 6"o/c at panel edges and at 12"o/c in panel field unless otherwise noted on the plans. Sheathing shall be applied perpendicular to framing. Sheathing shall have a span rating consistent with the framing spacing. Use suitable edge support by use of T&G plywood or lumber blocking unless otherwise noted. Panel end joints shall occur over framing. Apply building paper over the sheathing as required by the state Building Code.
- Sheathing shall have a 1/8" gap at panel ends and edges as recommended in accordance with the APA.

STRUCTURAL FIBERBOARD PANELS:

- Fabrication and placement of structural fiberboard sheathing shall be in accordance with the applicable AFA standards.
- All structurally required fiberboard sheathing shall bear the mark of the AFA.
- Fiberboard wall sheathing shall comply with the requirements of local building codes for the appropriate state as indicated on these drawings. Refer to wall bracing notes in plan set for more information.
- Sheathing shall have a 1/8" gap at panel ends and edges as recommended in accordance with the AFA.

Cedar Point
Lot 9



STRUCTURAL MEMBERS ONLY



UES PROFESSIONAL SOLUTIONS 29, INC.
FORMERLY SUMMIT ENGINEERING,
LABORATORY, & TESTING, INC.

10121 Pineville Distribution St
Pineville, NC 28134
Office: 704.504.1717
Fax: 704.504.1125
www.teamues.com



PROJECT: Piedmont - RH
Coversheet

CLIENT: Smith Douglas Homes - Raleigh
2520 Reliance Ave.
Apex, NC 27539

DRAWING
DATE: 05/02/2024
SCALE: 1/8"=1'-0"
PROJECT #: A2011.000403.000
DRAWN BY: EMB
CHECKED BY: GUS

ORIGINAL INFORMATION
PROJECT # 3832379 DATE 10/19/20

REFER TO COVER SHEET FOR A COMPLETE LIST OF REVISIONS

SHEET
CS2

FOUNDATION NOTES:

- FOUNDATIONS TO BE CONSTRUCTED IN ACCORDANCE w/ CHAPTER 4 OF THE 2018 NORTH CAROLINA RESIDENTIAL BUILDING CODE w/ ALL LOCAL AMENDMENTS.
- STRUCTURAL CONCRETE TO BE F_c = 3000 PSI, PREPARED AND PLACED IN ACCORDANCE WITH ACI STANDARD 318.
- FOOTINGS TO BE PLACED ON UNDISTURBED EARTH BEARING A MINIMUM OF 12" BELOW ADJACENT FINISHED GRADE, OR AS OTHERWISE DIRECTED BY THE CODE ENFORCEMENT OFFICIAL.
- FOOTING SIZES BASED ON A PRESUMPTIVE SOIL BEARING CAPACITY OF 2000 PSF. CONTRACTOR IS SOLELY RESPONSIBLE FOR VERIFYING THE SUITABILITY OF THE SITE SOIL CONDITIONS AT THE TIME OF CONSTRUCTION.
- FOOTINGS AND PIERS SHALL BE CENTERED UNDER THEIR RESPECTIVE ELEMENTS. PROVIDE 2" MINIMUM FOOTING PROJECTION FROM THE FACE OF MASONRY.
- MAXIMUM DEPTH OF UNBALANCED FILL AGAINST MASONRY WALLS TO BE AS SPECIFIED IN SECTION R404.1 OF THE 2018 NORTH CAROLINA RESIDENTIAL BUILDING CODE.
- FILASTERS TO BE BONDED TO PERIMETER FOUNDATION WALL.
- PROVIDE FOUNDATION WATERPROOFING, AND DRAIN WITH POSITIVE SLOPE TO OUTLET AS REQUIRED BY SITE CONDITIONS.
- PROVIDE PERIMETER INSULATION FOR ALL FOUNDATIONS PER 2018 NORTH CAROLINA RESIDENTIAL BUILDING CODE.
- CORBEL FOUNDATION WALL AS REQUIRED TO ACCOMMODATE BRICK VENEERS.
- CORREL SPACE TO BE GRADED LEVEL, AND CLEARED OF ALL DEBRIS.
- FOUNDATION ANCHORAGE SHALL BE CONSTRUCTED PER THE 2018 NORTH CAROLINA RESIDENTIAL CODE SECTION R403.6. MINIMUM 10" DIA. BOLTS SPACED AT 6'-0" ON CENTER WITH A 1" MINIMUM EMBEDMENT INTO MASONRY OR CONCRETE. MINIMUM (2) ANCHOR BOLTS PER PLATE SECTION AND (1) LOCATED NOT MORE THAN 12" FROM THE CORNER. ANCHOR BOLTS SHALL BE LOCATED IN THE CENTER THIRD OF THE PLATE.

DJ = DOUBLE JOIST	SJ = SINGLE JOIST
GT = GIRDER TRUSS	FT = FLOOR TRUSS
SC = STUD COLU'N	DR = DOUBLE RAFTER
EE = EACH END	TR = TRIPLE RAFTER
TJ = TRIPLE JOIST	OC = ON CENTER
CL = CENTER LINE	PL = POINT LOAD

- ALL PIERS TO BE 16"x16" MASONRY AND ALL FILASTERS TO BE 8"x16" MASONRY, TYPICAL (UNO).
- WALL FOOTINGS TO BE CONTINUOUS CONCRETE, SIZES PER STRUCTURAL PLAN.
- A FOUNDATION EXCAVATION OBSERVATION SHOULD BE CONDUCTED BY A PROFESSIONAL GEOTECHNICAL ENGINEER OR HIS QUALIFIED REPRESENTATIVE. IF ISOLATED AREAS OF YIELDING MATERIALS AND/OR POTENTIALLY EXPANSIVE SOILS ARE OBSERVED IN THE FOOTING EXCAVATIONS AT THE TIME OF CONSTRUCTION UES PROFESSIONAL SOLUTIONS, INC. MUST BE PROVIDED THE OPPORTUNITY TO REVIEW THE FOOTING DESIGN PRIOR TO CONCRETE PLACEMENT.
- ALL FOOTINGS & SLABS ARE TO BEAR ON UNDISTURBED SOIL OR 95% COMPACTED FILL, VERIFIED BY ENGINEER OR CODE OFFICIAL.

REFER TO BRACED WALL PLAN FOR PANEL LOCATIONS AND ANY REQUIRED HOLD-DOWNS. ADDITIONAL INFORMATION PER SECTION R602.02.8 AND FIGURE R602.02.1 OF THE 2018 IRC.

NOTE: ALL EXTERIOR FOUNDATION DIMENSIONS ARE TO FRAMING AND NOT BRICK VENEER, UNO.

NOTE: A 4" CRUSHED STONE BASE COURSE IS NOT REQUIRED WHEN SLAB IS INSTALLED ON WELL-DRAINED OR SAND-GRAVEL MIXTURE SOILS CLASSIFIED AS GROUP 1 PER TABLE R403.1.

NOTE: FOUNDATION ANCHORAGE HAS BEEN DESIGNED TO RESIST THE CONTINUOUS UNO UPLIFT LOAD PATH IN ACCORDANCE WITH METHOD 3 OF SECTION R602.3.5 OF THE 2018 NCR.

THESE PLANS ARE DESIGNED IN ACCORDANCE WITH ARCHITECTURAL PLANS PROVIDED BY SMITH DOUGLAS HOMES COMPLETED/REVISED ON 04/02/23. IT IS THE RESPONSIBILITY OF THE CLIENT TO NOTIFY UES PROFESSIONAL SOLUTIONS, INC. IF ANY CHANGES ARE MADE TO THE ARCHITECTURAL PLANS PRIOR TO CONSTRUCTION. UES CANNOT GUARANTEE THE ADEQUACY OF THESE STRUCTURAL PLANS WHEN USED WITH ARCHITECTURAL PLANS DATED DIFFERENTLY THAN THE DATE LISTED ABOVE.

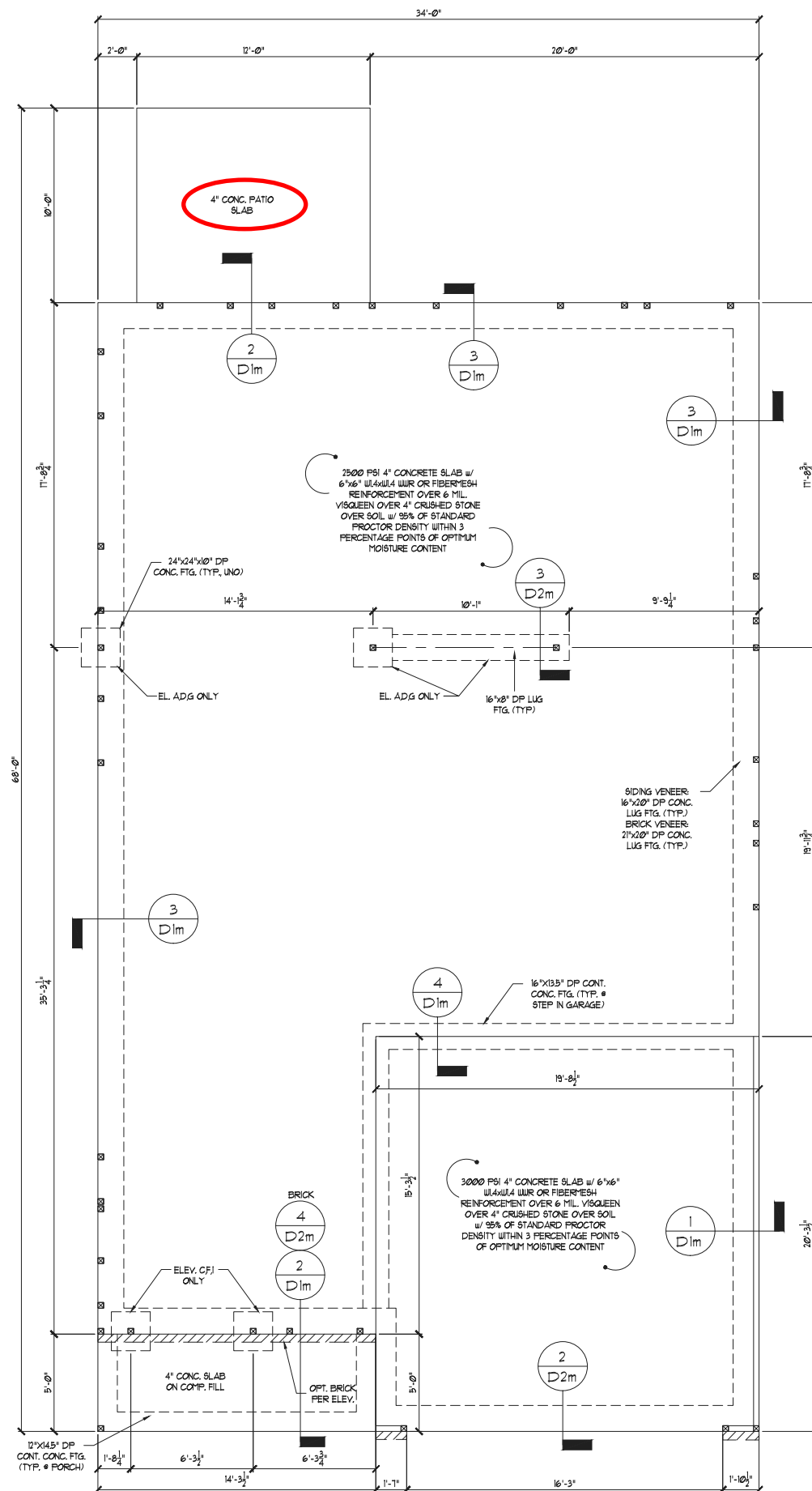
STRUCTURAL MEMBERS ONLY

ENGINEERING SEAL APPLIES ONLY TO STRUCTURAL COMPONENTS ON THIS DOCUMENT. SEAL DOES NOT INCLUDE CONSTRUCTION MEANS, METHODS, TECHNIQUES, SEQUENCES, PROCEDURES OR SAFETY PRECAUTIONS. ANY DEVIATIONS OR DISCREPANCIES ON PLANS ARE TO BE BROUGHT TO THE IMMEDIATE ATTENTION OF UES PROFESSIONAL SOLUTIONS, INC. FAILURE TO DO SO WILL VOID UES LIABILITY.

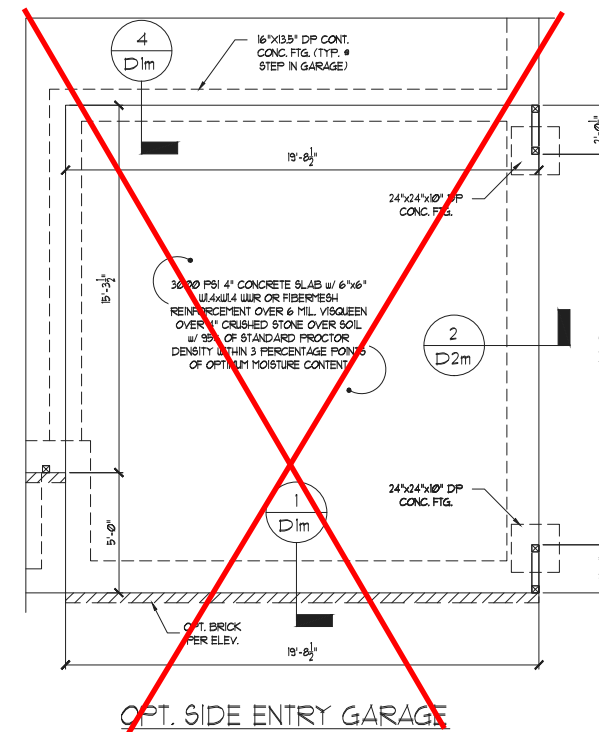
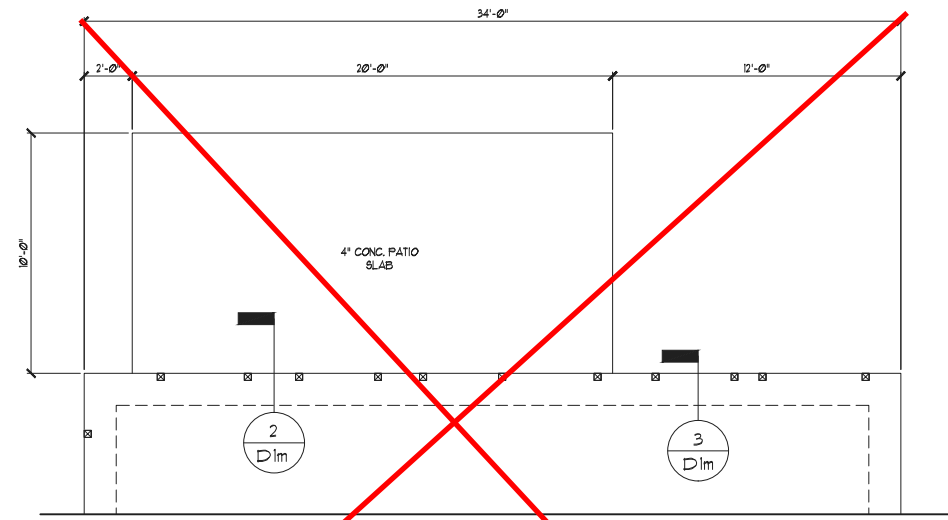
STRUCTURAL ANALYSIS BASED ON 2018 NCR.

MONOLITHIC SLAB FOUNDATION

SCALE: 1/8" = 1'



ALL ELEVATIONS



Cedar Pointe
Lot 9

05.02.2024

STRUCTURAL MEMBERS ONLY



UES PROFESSIONAL SOLUTIONS 29, INC.
FORMERLY SUMMIT ENGINEERING,
LABORATORY, & TESTING, INC.

10121 Pineville Distribution St
Pineville, NC 28134
Office: 704.504.1717
Fax: 704.504.1125
www.teamues.com



PROJECT: Piedmont - RH
Monolithic Slab Fnd.

CLIENT: Smith Douglas Homes - Raleigh
2520 Reliance Ave.
Apex, NC 27539

DRAWING
DATE: 05/02/2024
SCALE: 1/8" = 1'-0"
PROJECT #: A20111.000403.000
DRAWN BY: EMB
CHECKED BY: GWS

ORIGINAL INFORMATION
PROJECT # 3832379
DATE 10/19/20
REFER TO COVER SHEET FOR A COMPLETE LIST OF REVISIONS

SHEET
S1.0m

GENERAL STRUCTURAL NOTES:

- CONSTRUCTION SHALL CONFORM TO 2018 NORTH CAROLINA RESIDENTIAL BUILDING CODE WITH ALL LOCAL AMENDMENTS.
- CONTRACTOR SHALL VERIFY ALL DIMENSIONS. CONTRACTOR SHALL COMPLY WITH THE CONTENTS OF THIS DRAWING FOR THIS SPECIFIC PROJECT. ENGINEER IS NOT RESPONSIBLE FOR ANY DEVIATIONS FROM THIS PLAN.
- CONTRACTOR IS RESPONSIBLE FOR PROVIDING TEMPORARY BRACING REQUIRED TO RESIST ALL FORCES ENCOUNTERED DURING ERECTION.
- PROPERTIES USED IN THE DESIGN ARE AS FOLLOWS:
MICROLAM (LVL): $F_b = 2600$ PSI, $F_v = 285$ PSI, $E = 1.9 \times 10^6$ PSI
TIMBERSTRAND (LSL): $F_b = 2325$ PSI, $F_v = 310$ PSI, $E = 1.95 \times 10^6$ PSI
PARALLAM (PSL): $F_b = 2900$ PSI, $F_v = 290$ PSI, $E = 1.95 \times 10^6$ PSI
- ALL WOOD MEMBERS SHALL BE $\frac{1}{2}$ SYP UNLESS NOTED ON PLAN. ALL STUD COLUMNS AND JOISTS SHALL BE $\frac{1}{2}$ SYP (UNO).
- ALL BEAMS SHALL BE SUPPORTED WITH A (2) 2x4 $\frac{1}{2}$ SYP STUD COLUMN AT EACH END UNLESS NOTED OTHERWISE.
- ALL REINFORCING STEEL SHALL BE GRADE 60 BARS CONFORMING TO ASTM A615 AND SHALL HAVE A MINIMUM COVER OF 3".
- FOUNDATION ANCHORAGE SHALL BE CONSTRUCTED PER THE 2018 NORTH CAROLINA RESIDENTIAL CODE SECTION R402.6. MINIMUM 1" DIA BOLTS SPACED AT 6'-0" ON CENTER WITH A 1" MINIMUM EMBEDMENT INTO MASONRY OR CONCRETE. MINIMUM (2) ANCHOR BOLTS PER PLATE SECTION AND (1) LOCATED NOT MORE THAN 12" FROM THE CORNER. ANCHOR BOLTS SHALL BE LOCATED IN THE CENTER THIRD OF THE PLATE.
- CONTRACTOR TO PROVIDE LOOKOUTS WHEN CEILING JOISTS SPAN PERPENDICULAR TO RAFTERS.
- FLITCH BEAMS, 4-PLY LVL'S AND 3-PLY SIDE LOADED LVL'S SHALL BE SECURED TOGETHER WITH (2) ROWS OF 1/2" DIA LAG SCREWS SPACED AT 24" O.C. (MAX. STAGGERED) OR EQUIVALENT CONNECTIONS PER DETAIL 2/DT. MIN. EDGE DISTANCE SHALL BE 2" AND (2) SCREWS SHALL BE LOCATED MINIMUM 6" FROM EACH END OF THE BEAM.
- ALL NON-LOAD BEARING HEADERS SHALL BE (1) FLAT 2x4 SYP $\frac{1}{2}$, DROPPED. FOR NON-LOAD BEARING HEADERS EXCEEDING 8'-0" IN WIDTH AND/OR WITH MORE THAN 2'-0" OF CRIBBLE WALL ABOVE, SHALL BE (2) FLAT 2x4 SYP $\frac{1}{2}$, DROPPED. (UNLESS NOTED OTHERWISE)
- ABBREVIATIONS:

- DJ = DOUBLE JOIST
GT = GIRDER TRUSS
SC = STUD COLUMN
EE = EACH END
TJ = TRIPLE JOIST
CL = CENTER LINE
- SJ = SINGLE JOIST
FT = FLOOR TRUSS
DR = DOUBLE RAFTER
TR = TRIPLE RAFTER
OC = ON CENTER
PL = POINT LOAD

WALL STUD SCHEDULE (10 FT HEIGHT)				
STUD SIZE	STUD SPACING (O.C.)			
	ROOF ONLY	ROOF & 1 FLOOR	ROOF & 2 FLOORS	NON-LOAD BEARING
2x4	24"	16"	12"	24"
2x6	24"	24"	16"	24"

- NOTES:
1. BRACED WALLS STUDS SHALL BE A MAX. OF 16" O.C.
2. STUDS SUPPORTS OPTIONAL WALK-UP ATTIC SHALL BE SPACED A MAX. OF 16" O.C.
3. TWO STORY WALLS SHALL BE FRAMED W/ 2x4 STUDS @ 12" O.C. OR 2x6 STUDS @ 16" O.C. BALLOON FRAMED W/ HORIZONTAL BLOCKING @ 6'-0" O.C. VERTICALLY.

LINTEL SCHEDULE		
TAG	SIZE	OPENING SIZE
①	L3x3x1/4"	LESS THAN 6'-0"
②	L5x3x1/4"	6'-0" TO 10'-0"
③	L5x3-1/2x5/16"	GREATER THAN 10'-0"
④	L5x3-1/2x5/16" ROLLED OR EQUIV.	ALL ARCHED OPENINGS

- NOTES:
1. SECURE LINTEL TO HEADER W/ (2) 1/2" DIA LAG SCREWS STAGGERED AT 16" O.C. (TYP FOR OPENINGS GREATER THAN 10'-0").
2. ALL HEADERS WHERE BRICK IS PRESENT, TO BE ① (UNO).

SHADED WALLS INDICATED LOAD BEARING WALLS

NOTE: FLOOR JOISTS SHALL BE DESIGNED TO SUPPORT ADDITIONAL LOAD UNDER TILE FLOORS, GRANITE COUNTERTOPS AND/OR ISLANDS.

JOIST 4 BEAM SIZES SHOWN ARE MINIMUMS. BUILDER MAY INCREASE DEPTH FOR EASE OF CONSTRUCTION.

NOTE: --- DESIGNATES JOIST SUPPORTED LOAD BEARING WALL ABOVE. PROVIDE BLOCKING UNDER JOIST SUPPORTED LOAD BEARING WALL.

THESE PLANS ARE DESIGNED IN ACCORDANCE WITH ARCHITECTURAL PLANS PROVIDED BY SMITH DOUGLAS HOMES COMPLETED/REVISED ON 04/22/23. IT IS THE RESPONSIBILITY OF THE CLIENT TO NOTIFY UES PROFESSIONAL SOLUTIONS, INC. IF ANY CHANGES ARE MADE TO THE ARCHITECTURAL PLANS PRIOR TO CONSTRUCTION. UES CANNOT GUARANTEE THE ADEQUACY OF THESE STRUCTURAL PLANS WHEN USED WITH ARCHITECTURAL PLANS DATED DIFFERENTLY THAN THE DATE LISTED ABOVE.

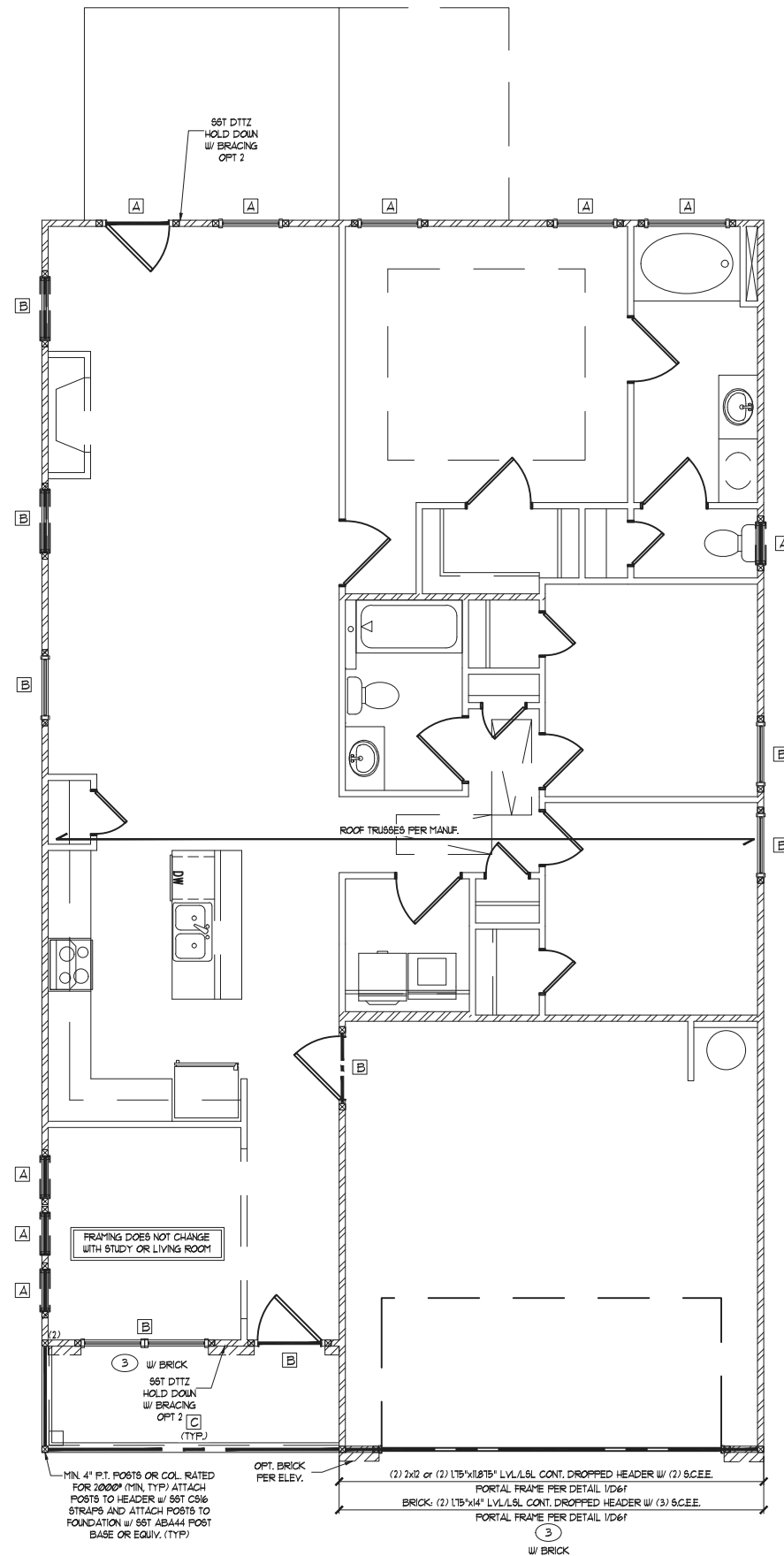
STRUCTURAL MEMBERS ONLY

ENGINEERING SEAL APPLIES ONLY TO STRUCTURAL COMPONENTS ON THIS DOCUMENT. SEAL DOES NOT INCLUDE CONSTRUCTION MEANS, METHODS, TECHNIQUES, SEQUENCES, PROCEDURES OR SAFETY PRECAUTIONS. ANY DEVIATIONS OR DISCREPANCIES ON PLANS ARE TO BE BROUGHT TO THE IMMEDIATE ATTENTION OF UES PROFESSIONAL SOLUTIONS, INC. FAILURE TO DO SO WILL VOID UES LIABILITY.

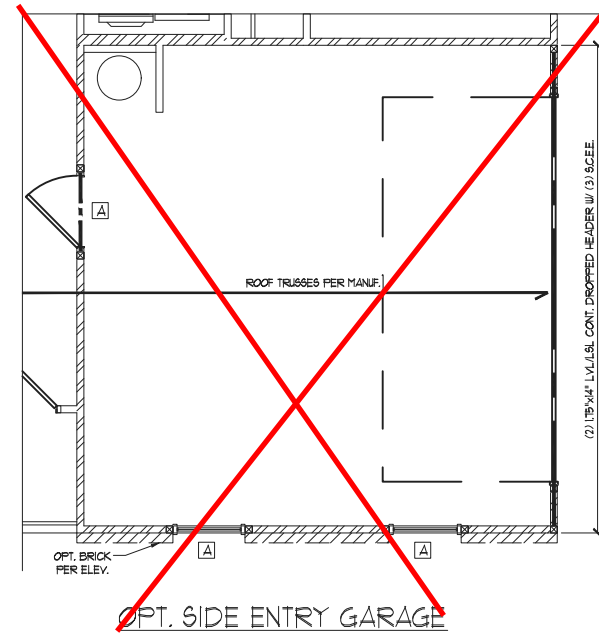
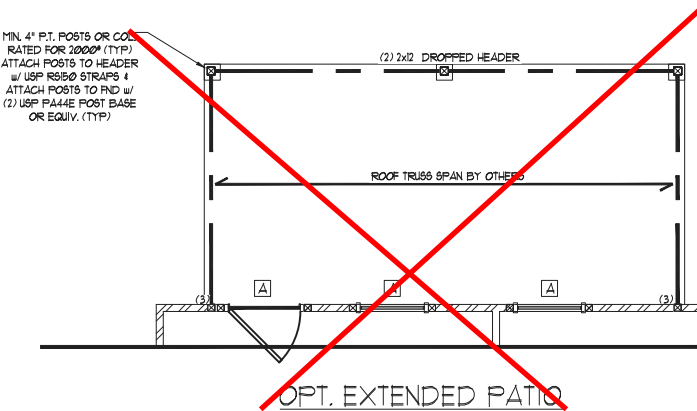
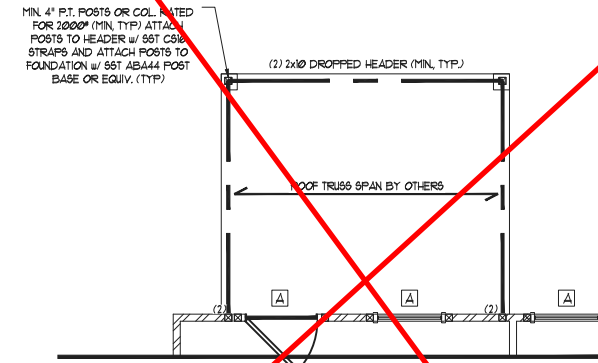
STRUCTURAL ANALYSIS BASED ON 2018 NCR. C.

FIRST FLOOR FRAMING PLAN

SCALE: 1/8"=1'



ELEVATIONS B-E-H



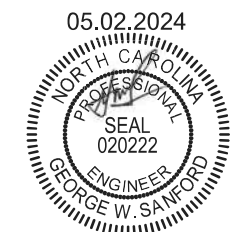
HEADER/BEAM SCHEDULE			
HEADER TAG	BEAM TAG	SIZE	JACKS (EACH END)
-	B1	(1) 14\" FLOOR JOIST	(2)
-	B2	(2) 14\" FLOOR JOISTS	(2)
A	B3	(2) 2x6	(1)
B	B4	(2) 2x8	(2)
C	B5	(2) 2x10	(2)
D	B6	(2) 2x12	(2)
E	B7	(2) 9-1/4\" LSL/LVL	(3)
F	B8	(2) 11-7/8\" LSL/LVL	(3)
G	B9	(2) 14\" LSL/LVL	(3)
H	B10	(2) 16\" LVL	(3)
I	B11	(2) 18\" LVL	(3)
J	B12	(2) 24\" LVL	(4)
K	B13	(3) 9-1/4\" LSL/LVL	(3)
L	B14	(3) 11-7/8\" LSL/LVL	(3)
M	B16	(3) 14\" LSL/LVL	(3)
N	B17	(3) 16\" LVL	(3)
O	B18	(3) 18\" LVL	(3)
P	B19	(3) 24\" LVL	(4)

- NOTES:
1. SIZES SHOWN ON PLANS ARE MINIMUMS. GREATER SIZES MAY BE USED FOR EASE OF CONSTRUCTION.
2. ALL HEADERS TO BE DROPPED (UNO).
3. STUD COLUMNS NOTED ON PLAN OVERRIDE STUD COLUMNS LISTED ABOVE (UNO).

KING STUD SCHEDULE	
MAXIMUM HEADER SPAN	MINIMUM KING STUDS E.E.
3'-0"	(1)
4'-0"	(2)
8'-0"	(3)
12'-0"	(5)
16'-0"	(6)

KING STUD REQUIREMENT LISTED ABOVE DO NOT APPLY TO OPENING WHERE PORTAL FRAME IS SPECIFIED

Cedar Pointe Lot 9



STRUCTURAL MEMBERS ONLY



UES PROFESSIONAL SOLUTIONS 29, INC.
FORMERLY SUMMIT ENGINEERING, LABORATORY, & TESTING, INC.

10121 Pineville Distribution St
Pineville, NC 28134
Office: 704.504.1717
Fax: 704.504.1125
www.teamus.com



PROJECT: Piedmont - RH
First Floor Framing

CLIENT: Smith Douglas Homes - Raleigh
2520 Reliance Ave.
Apex, NC 27539

DRAWING DATE: 05/02/2024
SCALE: 1/8"=1'-0"
PROJECT #: A20111.000403.000
DRAWN BY: EMB
CHECKED BY: GMB

ORIGINAL INFORMATION
PROJECT # 3832379 DATE 10/19/20

REFER TO COVER SHEET FOR A COMPLETE LIST OF REVISIONS

SHEET

S3.1

TRUSS UPLIFT CONNECTOR SCHEDULE			
MAX UPLIFT	ROOF TO WALL	FLOOR TO FLOOR	FLOOR TO END
6000 LBS	H2.5A	PER WALL SHEATHING 4 FASTENERS	
1200 LBS	(2) H2.5A	C516 (END + 1")	DTT2Z
1450 LBS	HT520	C516 (END + 1")	DTT2Z
2000 LBS	(2) HT520	(2) C516 (END + 1")	DTT2Z
2300 LBS	(2) HT520	(2) C516 (END + 1")	HTT4
3685 LBS	LG73-8D625	M5TC52	HTT4

1. ALL PRODUCTS LISTED ARE SIMPSON STRONG-TIE, EQUIVALENT PRODUCTS MAY BE USED PER MANUFACTURER'S SPECIFICATIONS.
2. UPLIFT VALUES LISTED ARE FOR SYP 2 GRADE MEMBERS AND INCLUDE ADDITIONAL WITHDRAWAL STRENGTH FROM REQUIRED TRUSS TO TOP PLATE TOE WALLS PER CHAPTER 6 OF THE NCR. C.
3. REFER TO TRUSS LAYOUT PER MANUFACTURER FOR UPLIFT VALUES AND TRUSS TO TRUSS CONNECTIONS, CONNECTORS SPECIFIED BY TRUSS MANUFACTURER OVERRIDE THOSE LISTED ABOVE.
4. TRUSS MANUFACTURER IS RESPONSIBLE FOR VERIFYING CONNECTORS SATISFIES ALL TRUSS BEARING REQUIREMENTS.
5. CONTACT UES FOR REQUIRED CONNECTORS WHEN LOADS EXCEED THOSE LISTED ABOVE.

NOTE: 1ST PLY OF ALL SHOWN GIRDER TRUSSES TO ALIGN WITH INSIDE FACE OF WALL (TYP, INO)

NOTE: ROOF TRUSSES SHALL BE SPACED TO SUPPORT FALSE FRAMED DORMER WALLS (TYP, INO)

NOTE: TRUSS UPLIFT LOADS SHALL BE DETERMINED PER TRUSS MANUFACTURER IN ACCORDANCE WITH SECTION R602.11.1 WALL SHEATHING AND FASTENERS HAVE BEEN DESIGNED TO RESIST THE WIND UPLIFT LOAD PATH IN ACCORDANCE WITH METHOD 3 OF SECTION R602.3.5 OF THE 2018 NCR. REFER TO BRACED WALL PLANS FOR SHEATHING AND FASTENER REQUIREMENTS.

THESE PLANS ARE DESIGNED IN ACCORDANCE WITH ARCHITECTURAL PLANS PROVIDED BY SMITH DOUGLAS HOMES COMPLETED/REVISED ON 04/22/23. IT IS THE RESPONSIBILITY OF THE CLIENT TO NOTIFY UES PROFESSIONAL SOLUTIONS, INC. IF ANY CHANGES ARE MADE TO THE ARCHITECTURAL PLANS PRIOR TO CONSTRUCTION. UES CANNOT GUARANTEE THE ADEQUACY OF THESE STRUCTURAL PLANS WHEN USED WITH ARCHITECTURAL PLANS DATED DIFFERENTLY THAN THE DATE LISTED ABOVE.

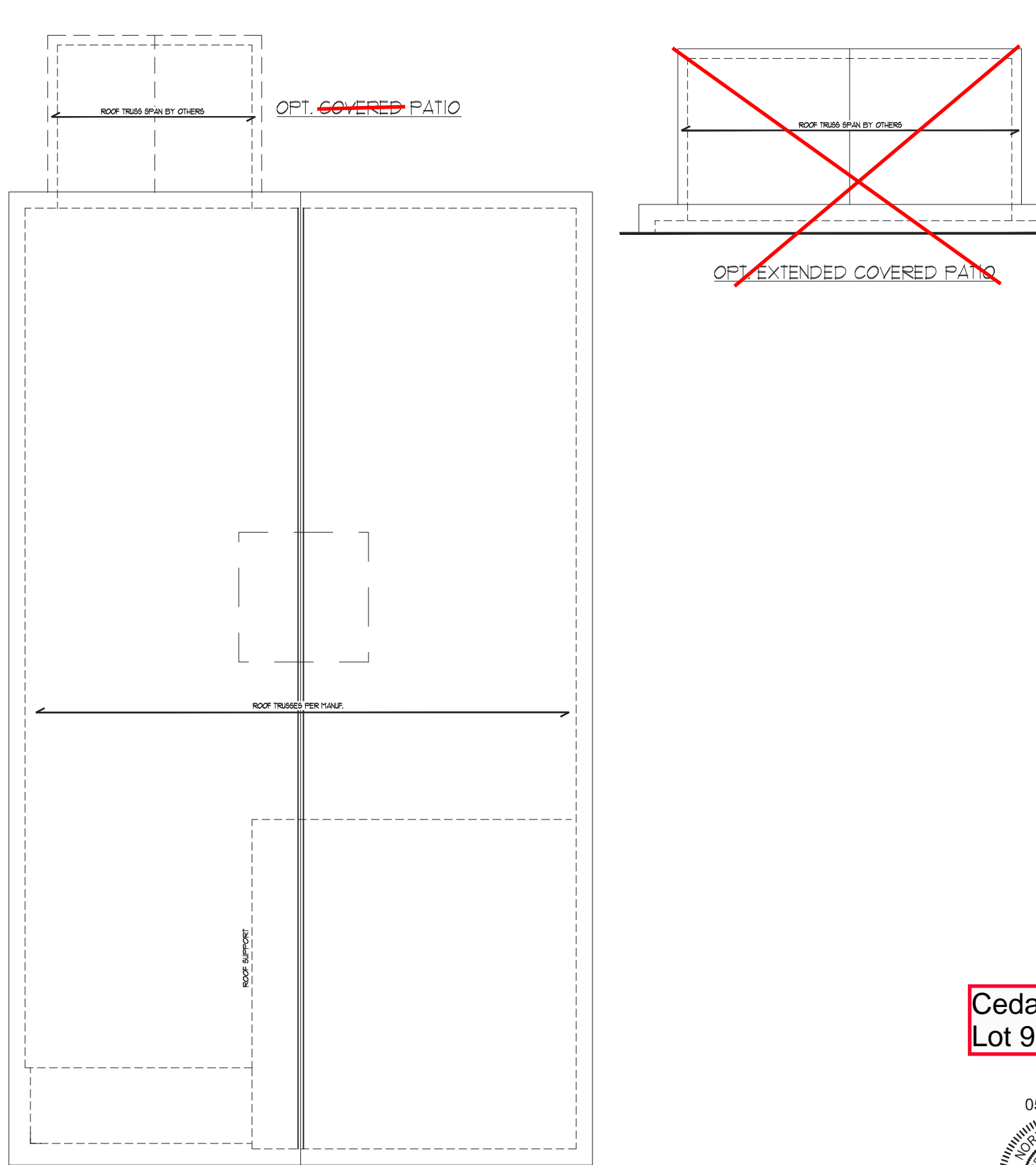
STRUCTURAL MEMBERS ONLY

ENGINEERING SEAL APPLIES ONLY TO STRUCTURAL COMPONENTS ON THIS DOCUMENT. SEAL DOES NOT INCLUDE CONSTRUCTION MEANS, METHODS, TECHNIQUES, SEQUENCES, PROCEDURES OR SAFETY PRECAUTIONS. ANY DEVIATIONS OR DISCREPANCIES ON PLANS ARE TO BE BROUGHT TO THE IMMEDIATE ATTENTION OF UES PROFESSIONAL SOLUTIONS, INC. FAILURE TO DO SO WILL VOID UES LIABILITY.

STRUCTURAL ANALYSIS BASED ON 2018 NCR.

ROOF FRAMING PLAN

SCALE: 1/8"=1'



ELEVATIONS B,E,H

Cedar Pointe Lot 9



STRUCTURAL MEMBERS ONLY



UES PROFESSIONAL SOLUTIONS 29, INC.
FORMERLY SUMMIT ENGINEERING, LABORATORY, & TESTING, INC.

10121 Pineville Distribution St
Pineville, NC 28134
Office: 704.504.1717
Fax: 704.504.1125
www.teamues.com



PROJECT: Piedmont - RH
Roof Framing Plan

CLIENT: Smith Douglas Homes - Raleigh
2520 Reliance Ave.
Apex, NC 27539

DRAWING
DATE: 05/02/2024
SCALE: 1/8"=1'-0"
PROJECT #: A20111.000403.000
DRAWN BY: EMB
CHECKED BY: GMB

ORIGINAL INFORMATION
PROJECT # 3832379 DATE 10/19/20
REFER TO COVER SHEET FOR A COMPLETE LIST OF REVISIONS

SHEET
S5.1

REQUIRED BRACED WALL PANEL CONNECTIONS				
METHOD	MATERIAL	MIN THICKNESS	REQUIRED CONNECTION	
			# PANEL EDGES	# INTERMEDIATE SUPPORTS
CS-USP	WOOD STRUCTURAL PANEL	3/8"	6d COMMON NAILS @ 6" O.C.	6d COMMON NAILS @ 12" O.C.
GB	GYPSUM BOARD	1/2"	5d COOLER NAILS @ 1" O.C.	5d COOLER NAILS @ 1" O.C.
USP	WOOD STRUCTURAL PANEL	3/8"	6d COMMON NAILS @ 6" O.C.	6d COMMON NAILS @ 12" O.C.
FF	WOOD STRUCTURAL PANEL	1/6"	PER FIGURE R602.10.6.4	PER FIGURE R602.10.6.4

*OR EQUIVALENT PER TABLE R702.3.5

BRACED WALL NOTES:

- WALLS SHALL BE DESIGNED IN ACCORDANCE w/ SECTION R602.10 FROM THE 2015 INTERNATIONAL RESIDENTIAL CODE w/ ALL LOCAL AND STATE AMENDMENTS.
- WALLS ARE DESIGNED FOR SEISMIC ZONES A-C AND ULTIMATE DESIGN WIND SPEEDS UP TO 130 MPH.
- REFER TO ARCHITECTURAL PLAN FOR DOOR/WINDOW OPENING SIZES.
- BRACING MATERIALS, METHODS AND FASTENERS SHALL BE IN ACCORDANCE WITH TABLE R602.10.4
- ALL BRACED WALL PANELS SHALL BE FULL WALL HEIGHT AND SHALL NOT EXCEED 10 FEET FOR ISOLATED PANEL METHOD AND 12 FEET FOR CONTINUOUS SHEATHING METHOD WITHOUT ADDITIONAL ENGINEERING CALCULATIONS.
- MINIMUM PANEL LENGTH SHALL BE PER TABLE R602.10.5.
- THE INTERIOR SIDE OF EXTERIOR WALLS AND BOTH SIDES OF INTERIOR WALLS SHALL BE SHEATHED CONTINUOUSLY WITH MINIMUM 1/2" GYPSUM BOARD (UNO).
- FOR CONTINUOUS SHEATHING METHOD, EXTERIOR WALLS SHALL BE SHEATHED ON ALL SHEATHABLE SURFACES INCLUDING INFILL AREAS BETWEEN BRACED WALL PANELS ABOVE AND BELOW WALL OPENINGS AND ON GABLE END WALLS.
- FLOORS SHALL NOT BE CANTILEVERED MORE THAN 24" BEYOND THE FOUNDATION OR BEARING WALL BELOW WITHOUT ADDITIONAL ENGINEERING CALCULATIONS.
- A BRACED WALL PANEL SHALL BE LOCATED WITHIN 10 FEET OF EACH END OF A BRACED WALL LINE.
- THE MAXIMUM EDGE DISTANCE BETWEEN BRACED WALL PANELS SHALL NOT EXCEED 20 FEET.
- MASONRY OR CONCRETE STEM WALLS WITH A LENGTH OF 40' OR LESS SUPPORTING A BRACED WALL PANEL SHALL BE DESIGNED IN ACCORDANCE WITH FIGURE R602.10.3 OF THE 2015 IRC.
- BRACED WALL PANEL CONNECTIONS TO FLOOR/CEILING SHALL BE CONSTRUCTED IN ACCORDANCE WITH SECTION R602.10.8
- BRACED WALL PANEL CONNECTIONS TO ROOF SHALL BE CONSTRUCTED IN ACCORDANCE WITH SECTION R602.10.2
- CRIPPLE WALLS AND WALK OUT BASEMENT WALLS SHALL BE DESIGNED IN ACCORDANCE WITH SECTION R602.10.1
- PORTAL WALLS SHALL BE DESIGNED IN ACCORDANCE WITH FIGURE R602.10.6.4 (UNO)
- ON SCHEMATIC, SHADED WALLS INDICATE BRACED WALL PANELS.
- ABBREVIATIONS:

GB = GYPSUM BOARD USP = WOOD STRUCTURAL PANEL
 CS-XXX = CONT. SHEATHED ENG = ENGINEERED SOLUTION
 FF = PORTAL FRAME FF-ENG = ENG. PORTAL FRAME

INSTALL HOLD-DOWNS FOR BRACED WALL END CONDITIONS PER SECTION R602.10.8 AND FIGURE R602.10.1 OF THE 2015 IRC.

NOTE: WALL SHEATHING AND FASTENERS HAVE BEEN DESIGNED TO RESIST THE CONTINUOUS WIND UPLIFT LOAD PATH IN ACCORDANCE WITH METHOD 3 OF SECTION R602.3.5 OF THE 2018 NRC.

FIRST FLOOR BRACING (FT)		
	CONTINUOUS SHEATHING METHOD	
	REQUIRED	PROVIDED
BULL 1-1	9.6	14.1
BULL 1-2	9.6	14.2
BULL 1-3	4.7	7.8
BULL 1-A	5.1	39.0
BULL 1-B	5.1	48.1

THESE PLANS ARE DESIGNED IN ACCORDANCE WITH ARCHITECTURAL PLANS PROVIDED BY SMITH DOUGLAS HOMES COMPLETED/REVISED ON 04/02/23. IT IS THE RESPONSIBILITY OF THE CLIENT TO NOTIFY UES PROFESSIONAL SOLUTIONS, INC. IF ANY CHANGES ARE MADE TO THE ARCHITECTURAL PLANS PRIOR TO CONSTRUCTION. UES CANNOT GUARANTEE THE ADEQUACY OF THESE STRUCTURAL PLANS WHEN USED WITH ARCHITECTURAL PLANS DATED DIFFERENTLY THAN THE DATE LISTED ABOVE.

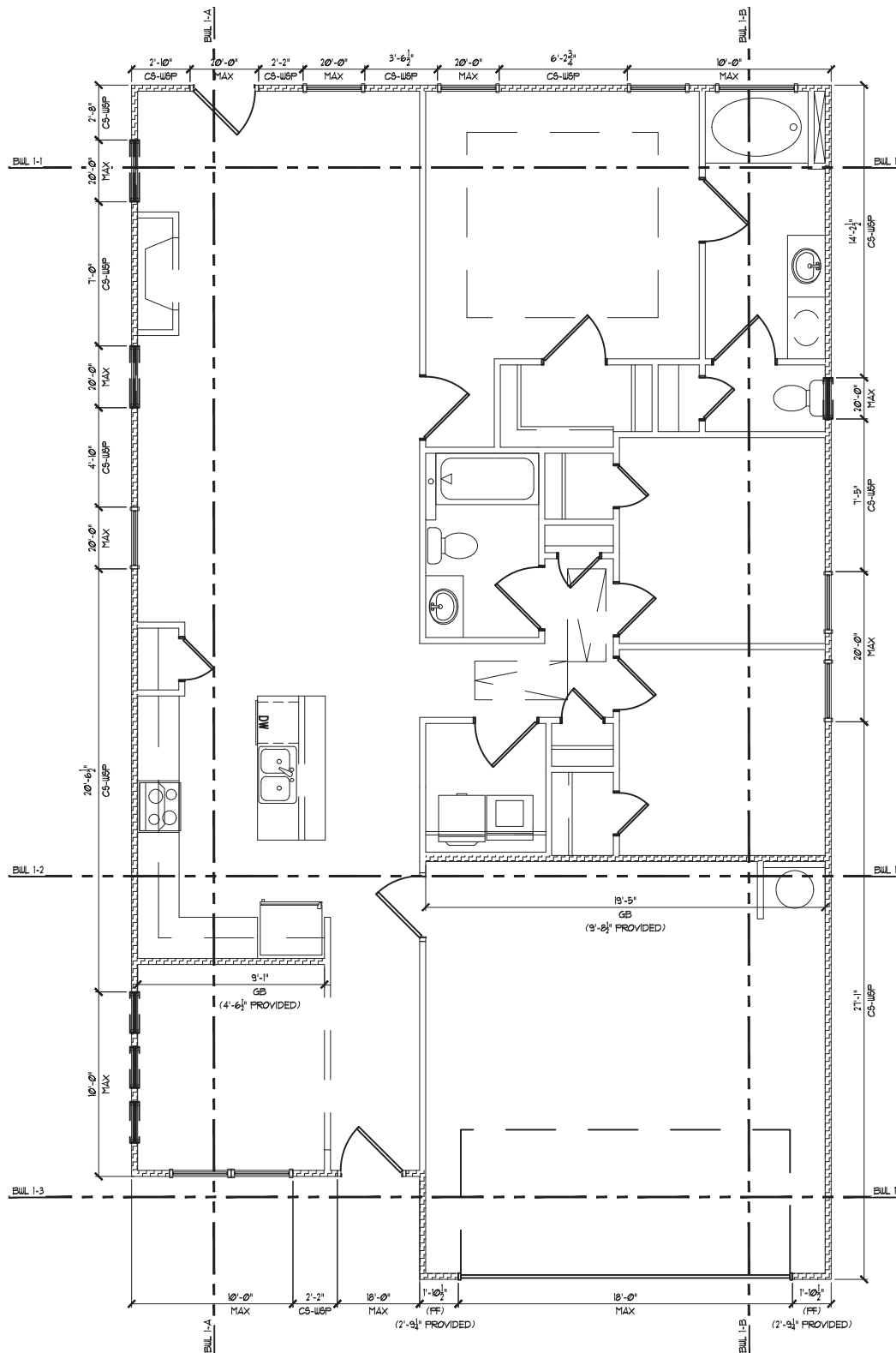
STRUCTURAL MEMBERS ONLY

ENGINEERING SEAL APPLIES ONLY TO STRUCTURAL COMPONENTS ON THIS DOCUMENT. SEAL DOES NOT INCLUDE CONSTRUCTION MEANS, METHODS, TECHNIQUES, SEQUENCES, PROCEDURES OR SAFETY PRECAUTIONS. ANY DEVIATIONS OR DISCREPANCIES ON PLANS ARE TO BE BROUGHT TO THE IMMEDIATE ATTENTION OF UES PROFESSIONAL SOLUTIONS, INC. FAILURE TO DO SO WILL VOID UES LIABILITY.

STRUCTURAL ANALYSIS BASED ON 2015 IRC.

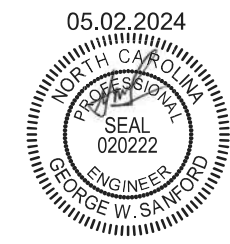
FIRST FLOOR BRACING PLAN

SCALE: 1/8"=1'



ALL ELEVATIONS

Cedar Pointe
Lot 9



STRUCTURAL MEMBERS ONLY

UES
 UES PROFESSIONAL SOLUTIONS 29, INC.
 FORMERLY SUMMIT ENGINEERING,
 LABORATORY, & TESTING, INC.
 10121 Pineville Distribution St
 Pineville, NC 28134
 Office: 704.504.1717
 Fax: 704.504.1125
 www.teamues.com



PROJECT: Piedmont - RH
First Floor Bracing
 CLIENT: Smith Douglas Homes - Raleigh
 2520 Reliance Ave.
 Apex, NC 27539

DRAWING
 DATE: 05/02/2024
 SCALE: 1/8"=1'-0"
 PROJECT #: A20117.000403.000
 DRAWN BY: EMB
 CHECKED BY: GWS

ORIGINAL INFORMATION
 PROJECT # 3832379 DATE 10/19/20

REFER TO COVER SHEET FOR A COMPLETE LIST OF REVISIONS

SHEET
S7.0

REQUIRED BRACED WALL PANEL CONNECTIONS				
METHOD	MATERIAL	MIN THICKNESS	REQUIRED CONNECTION	
			# PANEL EDGES	# INTERMEDIATE SUPPORTS
CS-USP	WOOD STRUCTURAL PANEL	3/8"	6d COMMON NAILS @ 6" O.C.	6d COMMON NAILS @ 12" O.C.
GB	GYPSUM BOARD	1/2"	5d COOLER NAILS @ 11" O.C.	5d COOLER NAILS @ 11" O.C.
USP	WOOD STRUCTURAL PANEL	3/8"	6d COMMON NAILS @ 6" O.C.	6d COMMON NAILS @ 12" O.C.
FF	WOOD STRUCTURAL PANEL	1/6"	PER FIGURE R602.10.6.4	PER FIGURE R602.10.6.4

*OR EQUIVALENT PER TABLE R101.3.5

- BRACED WALL NOTES:**
- WALLS SHALL BE DESIGNED IN ACCORDANCE WITH SECTION R602.10 FROM THE 2015 INTERNATIONAL RESIDENTIAL CODE WITH ALL LOCAL AND STATE AMENDMENTS.
 - WALLS ARE DESIGNED FOR SEISMIC ZONES A-C AND ULTIMATE DESIGN WIND SPEEDS UP TO 130 MPH.
 - REFER TO ARCHITECTURAL PLAN FOR DOOR/WINDOW OPENING SIZES.
 - BRACING MATERIALS, METHODS AND FASTENERS SHALL BE IN ACCORDANCE WITH TABLE R602.10.4.
 - ALL BRACED WALL PANELS SHALL BE FULL WALL HEIGHT AND SHALL NOT EXCEED 10 FEET FOR ISOLATED PANEL METHOD AND 12 FEET FOR CONTINUOUS SHEATHING METHOD WITHOUT ADDITIONAL ENGINEERING CALCULATIONS.
 - MINIMUM PANEL LENGTH SHALL BE PER TABLE R602.10.5.
 - THE INTERIOR SIDE OF EXTERIOR WALLS AND BOTH SIDES OF INTERIOR WALLS SHALL BE SHEATHED CONTINUOUSLY WITH MINIMUM 1/2" GYPSUM BOARD (UNO).
 - FOR CONTINUOUS SHEATHING METHOD, EXTERIOR WALLS SHALL BE SHEATHED ON ALL SHEATHABLE SURFACES INCLUDING INFILL AREAS BETWEEN BRACED WALL PANELS ABOVE AND BELOW WALL OPENINGS AND ON GABLE END WALLS.
 - FLOORS SHALL NOT BE CANTILEVERED MORE THAN 24" BEYOND THE FOUNDATION OR BEARING WALL BELOW WITHOUT ADDITIONAL ENGINEERING CALCULATIONS.
 - A BRACED WALL PANEL SHALL BE LOCATED WITHIN 10 FEET OF EACH END OF A BRACED WALL LINE.
 - THE MAXIMUM EDGE DISTANCE BETWEEN BRACED WALL PANELS SHALL NOT EXCEED 20 FEET.
 - MASONRY OR CONCRETE STEM WALLS WITH A LENGTH OF 40' OR LESS SUPPORTING A BRACED WALL PANEL SHALL BE DESIGNED IN ACCORDANCE WITH FIGURE R602.10.3 OF THE 2015 IRC.
 - BRACED WALL PANEL CONNECTIONS TO FLOOR/CEILING SHALL BE CONSTRUCTED IN ACCORDANCE WITH SECTION R602.10.8.
 - BRACED WALL PANEL CONNECTIONS TO ROOF SHALL BE CONSTRUCTED IN ACCORDANCE WITH SECTION R602.10.2.
 - CRIPPLE WALLS AND WALK OUT BASEMENT WALLS SHALL BE DESIGNED IN ACCORDANCE WITH SECTION R602.10.1.
 - PORTAL WALLS SHALL BE DESIGNED IN ACCORDANCE WITH FIGURE R602.10.6.4 (UNO).
 - ON SCHEMATIC, SHADED WALLS INDICATE BRACED WALL PANELS.
 - ABBREVIATIONS:

GB = GYPSUM BOARD	USP = WOOD STRUCTURAL PANEL
CS-XXX = CONT. SHEATHED	ENG = ENGINEERED SOLUTION
FF = PORTAL FRAME	FF-ENG = ENG. PORTAL FRAME

INSTALL HOLD-DOWNS FOR BRACED WALL END CONDITIONS PER SECTION R602.10.8 AND FIGURE R602.10.1 OF THE 2015 IRC.

NOTE: WALL SHEATHING AND FASTENERS HAVE BEEN DESIGNED TO RESIST THE CONTINUOUS WIND UPLIFT LOAD PATH IN ACCORDANCE WITH METHOD 3 OF SECTION R602.3.5 OF THE 2015 NRC.

FIRST FLOOR BRACING (FT)		
	CONTINUOUS SHEATHING METHOD	
	REQUIRED	PROVIDED
BUIL 1-1	9.6	11.9
BUIL 1-2	9.6	14.2
BUIL 1-3	4.7	7.8
BUIL 1-A	5.1	22.1
BUIL 1-B	5.1	20.6

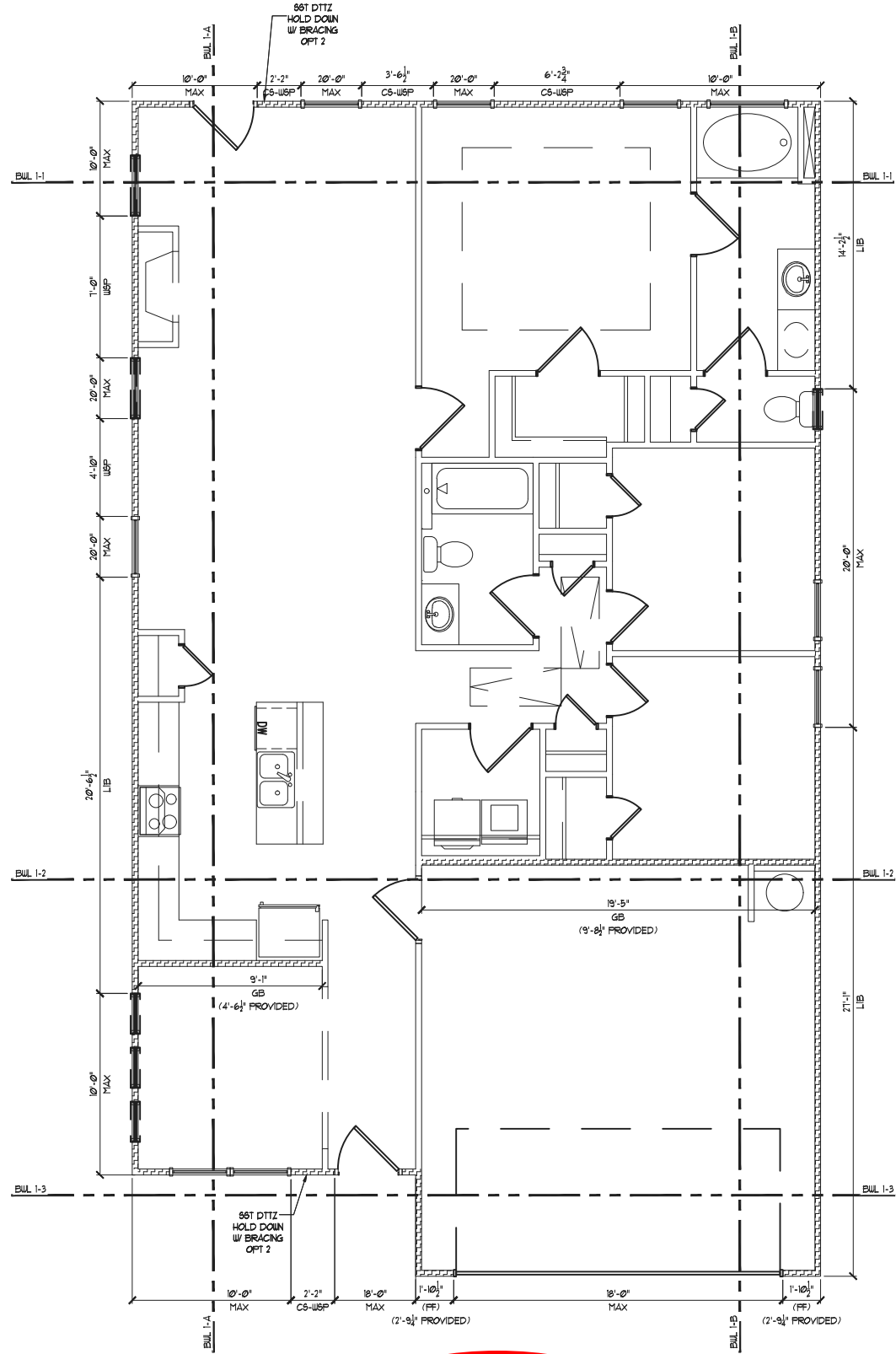
THESE PLANS ARE DESIGNED IN ACCORDANCE WITH ARCHITECTURAL PLANS PROVIDED BY SMITH DOUGLAS HOMES COMPLETED/REVISED ON 04/02/23. IT IS THE RESPONSIBILITY OF THE CLIENT TO NOTIFY UES PROFESSIONAL SOLUTIONS, INC. IF ANY CHANGES ARE MADE TO THE ARCHITECTURAL PLANS PRIOR TO CONSTRUCTION. UES CANNOT GUARANTEE THE ADEQUACY OF THESE STRUCTURAL PLANS WHEN USED WITH ARCHITECTURAL PLANS DATED DIFFERENTLY THAN THE DATE LISTED ABOVE.

STRUCTURAL MEMBERS ONLY
 ENGINEERING SEAL APPLIES ONLY TO STRUCTURAL COMPONENTS ON THIS DOCUMENT. SEAL DOES NOT INCLUDE CONSTRUCTION MEANS, METHODS, TECHNIQUES, SEQUENCES, PROCEDURES OR SAFETY PRECAUTIONS. ANY DEVIATIONS OR DISCREPANCIES ON PLANS ARE TO BE BROUGHT TO THE IMMEDIATE ATTENTION OF UES PROFESSIONAL SOLUTIONS, INC. FAILURE TO DO SO WILL VOID UES LIABILITY.

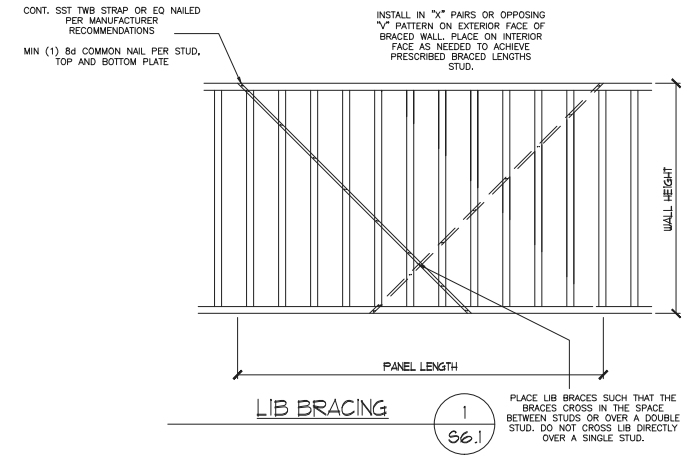
STRUCTURAL ANALYSIS BASED ON 2015 IRC.

FIRST FLOOR BRACING PLAN

SCALE: 1/8"=1'



ALL ELEVATIONS BRACING OPTION 2



Cedar Point Lot 9



STRUCTURAL MEMBERS ONLY

UES
 UES PROFESSIONAL SOLUTIONS 29, INC.
 FORMERLY SUMMIT ENGINEERING, LABORATORY, & TESTING, INC.
 10121 Pineville Distribution St
 Pineville, NC 28134
 Office: 704.504.1717
 Fax: 704.504.1125
 www.teamues.com



PROJECT: Piedmont - RH
First Floor Bracing

CLIENT: Smith Douglas Homes - Raleigh
 2520 Reliance Ave.
 Apex, NC 27539

DRAWING
 DATE: 05/02/2024
 SCALE: 1/8"=1'-0"
 PROJECT #: A20111.000403.000
 DRAWN BY: EMB
 CHECKED BY: GWS

ORIGINAL INFORMATION
 PROJECT # 3832379
 DATE 10/19/20

REFER TO COVER SHEET FOR A COMPLETE LIST OF REVISIONS

SHEET
S7.2

GENERAL STRUCTURAL NOTES:

- The design professional whose seal appears on these drawings is the structural engineer of record (SER) for this project. The SER bears the responsibility of the primary structural elements and the performance of this structure. No other party may revise, alter, or delete any structural aspects of these construction documents without written permission of SUMMIT Engineering, Laboratory & Testing, Inc. (SUMMIT) or the SER. For the purposes of these construction documents the SER and SUMMIT shall be considered the same entity.
- The structure is only stable in its completed form. The contractor shall provide all required temporary bracing during construction to stabilize the structure.
- The SER is not responsible for construction sequences, methods, or techniques in connection with the construction of this structure. The SER will not be held responsible for the contractor's failure to conform to the contract documents, should any non-conformities occur.
- Any structural elements or details not fully developed on the construction drawings shall be completed under the direction of a licensed professional engineer. These shop drawings shall be submitted to SUMMIT for review before any construction begins. The shop drawings will be reviewed for overall compliance as it relates to the structural design of this project. Verification of the shop drawings for dimensions, or for actual field conditions, is not the responsibility of the SER or SUMMIT.
- Verification of assumed field conditions is not the responsibility of the SER. The contractor shall verify the field conditions for accuracy and report any discrepancies to SUMMIT before construction begins.
- The SER is not responsible for any secondary structural elements or non-structural elements, except for the elements specifically noted on the structural drawings.
- This structure and all construction shall conform to all applicable sections of the international residential code.
- This structure and all construction shall conform to all applicable sections of the 2018 North Carolina Residential Code (NCRC) and any local codes or restrictions

FOUNDATIONS:

- Foundations shall be constructed in accordance with chapter 4 of the 2018 NC Residential Building Code (Special consideration shall be given to Chapter 45 in wind zones above 130mph)
- Footing sizes based on a presumptive soil bearing capacity of 2000 PSF. Contractor is solely responsible for verifying the suitability of the site soil conditions at the time of construction
- Maximum depth of unbalanced fill against masonry walls to be as specified in section R404.1 of the 2018 NCRC
- The structural engineer has not performed a subsurface investigation. Verification of this assumed value is the responsibility of the owner or the contractor. Should any adverse soil condition be encountered the SER must be contacted before proceeding.
- The bottom of all footings shall extend below the frost line for the region in which the structure is to be constructed. However, the bottom of all footings shall be a minimum of 12" below grade.
- Any fill shall be placed under the direction or recommendation of a licensed professional engineer. The resulting soil shall be compacted to a minimum of 95% maximum dry density.
- Excavations of footings shall be lined temporarily with a 6 mil polyethylene membrane if placement of concrete does not occur within 24 hours of excavation.
- No concrete shall be placed against any subgrade containing water, ice, frost, or loose material.
- Each crawl space pier shall bear in the middle third of its respective footing and each girder shall bearing in the middle third of the piers. Pilasters to be bonded to perimeter foundation wall
- Crawl spaced to be graded level and clear of all debris
- Provide foundation waterproofing and drain with positive slope to outlet as required by site conditions
- Energy efficiency compliance and insulation of the structure to be in accordance with chapter 11 of the 2018 NCRC

CONCRETE:

- Concrete shall have a normal weight aggregate and a minimum compressive strength (f'c) at 28 days of 3000 psi, unless otherwise noted on the plan.
- Concrete shall be proportioned, mixed, and placed in accordance with the latest editions of ACI 318: "Building Code Requirements for Reinforced Concrete" and ACI 301: "Specifications for Structural Concrete for Buildings".
- Air entrained concrete must be used for all structural elements exposed to freeze/thaw cycles and deicing chemicals. Air entrainment amounts (in percent) shall be within -1% to +2% of target values as follows:
 - Footings: 5%
 - Exterior Slabs: 5%
- No admixtures shall be added to any structural concrete without written permission of the SER
- Concrete slabs-on-grade shall be constructed in accordance with ACI 302.1R-96: "Guide for Concrete Slab and Slab Construction".
- The concrete slab-on-grade has been designed using a subgrade modulus of k=250 pci and a design loading of 200 psf. The SER is not responsible for differential settlement, slab cracking or other future defects resulting from unreported conditions not in accordance with the above assumptions.
- Control or saw cut joints shall be spaced in interior slabs-on-grade at a maximum of 15'-0" O.C. and in exterior slabs-on-grade at a maximum of 10'-0" unless otherwise noted.
- Control or saw cut joints shall be produced using conventional process within 4 to 12 hours after the slab has been finished
- Reinforcing steel may not extend through a control joint. Reinforcing steel may extend through a saw cut joint.
- All welded wire fabric (W.W.F.) for concrete slabs-on-grade shall be placed at mid-depth of slab. The W.W.F. shall be securely supported during the concrete pour. Fibermesh may be used in lieu of W.W.F.

CONCRETE REINFORCEMENT:

- Fibrous concrete reinforcement, or fibermesh, specified in concrete slabs-on-grade may be used for control of cracking due to shrinkage and thermal expansion/contraction, lowered water migration, an increase in impact capacity, increased abrasion resistance, and residual strength.
- Fibermesh reinforcing to be 100% virgin polypropylene fibers containing no reprocessed olefin materials and specifically manufactured for use as concrete secondary reinforcement.
- Application of fibermesh per cubic yard of concrete shall equal a minimum of 0.1% by volume (1.5 pounds per cubic yard)
- Fibermesh shall comply with ASTM C1116, any local building code requirements, and shall meet or exceed the current industry standard.
- Steel Reinforcing bars shall be new billet steel conforming to ASTM A615, grade 60.
- Detailing, fabrication, and placement of reinforcing steel shall be in accordance with the latest edition of ACI 315: "Manual of Standard Practice for Detailing Concrete Structures"
- Horizontal footing and wall reinforcement shall be continuous and shall have 90° bends, or corner bars with the same size/spacing as the horizontal reinforcement with a class B tension splice.
- Lap reinforcement as required, a minimum of 40 bar diameters for tension or compression unless otherwise noted. Splices in masonry shall be a minimum of 48 bar diameters.
- Where reinforcing dowels are required, they shall be equivalent in size and spacing to the vertical reinforcement. The dowel shall extend 48 bar diameters vertically and 20 bar diameters into the footing.
- Where reinforcing steel is required vertically, dowels shall be provided unless otherwise noted.

WOOD FRAMING:

- Solid sawn wood framing members shall conform to the specifications listed in the latest edition of the "National Design Specification for Wood Construction" (NDS). Unless otherwise noted, all wood framing members are designed to be Spruce-Pine-Fir (SPF) #2.
- LVL or PSL engineered wood shall have the following minimum design values:
 - E = 2,000,000 psi
 - Fb = 2600 psi
 - Fv = 285 psi
 - Fc = 700 psi
- Wood in contact with concrete, masonry, or earth shall be pressure treated in accordance with AWPA standard C-15. All other moisture exposed wood shall be treated in accordance with AWPA standard C-2
- Nails shall be common wire nails unless otherwise noted.
- Lag screws shall conform to ANSI/ASME standard B18.2.1-1981. Lead holes for lag screws shall be in accordance with NDS specifications.
- All beams shall have full bearing on supporting framing members unless otherwise noted.
- Exterior and load bearing stud walls are to be 2x4 SPF#2 @16" O.C. unless otherwise noted. Studs shall be continuous from the sole plate to the double top plate. Studs shall only be discontinuous at headers for window/door openings. A minimum of one king stud shall be placed at each end of the header. King studs shall be continuous.
- Individual studs forming a column shall be attached with one 10d nail @6" O.C. staggered. The stud column shall be continuous to the foundation or beam. The column shall be fully blocked at all floor levels to ensure proper load transfer.
- Multi-ply beams shall have each ply attached with (3)10d nails @ 24" O.C.
- Fitch beams and four and five ply beams shall be bolted together with (2) rows of 1/2" dia. through bolts staggered @24" O.C. w/ 2" edge distance and (2) bolts located at 6" from each end, unless noted otherwise.

WOOD TRUSSES:

- The wood truss manufacturer/fabricator is responsible for the design of the wood trusses. Submit sealed shop drawings and supporting calculations to the SER for review prior to fabrication. The SER shall have a minimum of five (5) days for review. The review by the SER shall review for overall compliance with the design documents. The SER shall assume no responsibility for the correctness for the structural design for the wood trusses.
- The wood trusses shall be designed for all required loadings as specified in the local building code, the ASCE Standard "Minimum Design Loads for Buildings and Other Structures." (ASCE 7-10), and the loading requirements shown on these specifications. The truss drawings shall be coordinated with all other construction documents and provisions provided for loads shown on these drawings including but not limited to HVAC equipment, piping, and architectural fixtures attached to the trusses.
- The trusses shall be designed, fabricated, and erected in accordance with the latest edition of the "National Design Specification for Wood Construction." (NDS) and "Design Specification for Metal Plate Connected Wood Trusses."
- The truss manufacturer shall provide adequate bracing information in accordance with "Commentary and Recommendations for Handling, Installing, and Bracing Metal Plate Connected Wood Trusses" (HIB-91). This bracing, both temporary and permanent, shall be shown on the shop drawings. Also, the shop drawings shall show the required attachments for the trusses.
- Any chords or truss webs shown on these drawings have been shown as a reference only. The final design of the trusses shall be per the manufacturer.

WOOD STRUCTURAL PANELS:

- Fabrication and placement of structural wood sheathing shall be in accordance with the APA Design/Construction Guide "Residential and Commercial," and all other applicable APA standards.
- All structurally required wood sheathing shall bear the mark of the APA.
- Wood wall sheathing shall comply with the requirements of local building codes for the appropriate state as indicated on these drawings. Refer to wall bracing notes in plan set for more information. Sheathing shall be applied with the long direction perpendicular to framing, unless noted otherwise.
- Roof sheathing shall be APA rated sheathing exposure 1 or 2. Roof sheathing shall be continuous over two supports and attached to its supporting roof framing with (1)-8d CC nail at 6"o/c at panel edges and at 12"o/c in panel field unless otherwise noted on the plans. Sheathing shall be applied with the long direction perpendicular to framing. Sheathing shall have a span rating consistent with the framing spacing. Use suitable edge support by use of plywood clips or lumber blocking unless otherwise noted. Panel end joints shall occur over framing. Apply building paper over the sheathing as required by the state Building Code.
- Wood floor sheathing shall be APA rated sheathing exposure 1 or 2. Attach sheathing to its supporting framing with (1)-8d CC ringshank nail at 6"o/c at panel edges and at 12"o/c in panel field unless otherwise noted on the plans. Sheathing shall be applied perpendicular to framing. Sheathing shall have a span rating consistent with the framing spacing. Use suitable edge support by use of T&G plywood or lumber blocking unless otherwise noted. Panel end joints shall occur over framing. Apply building paper over the sheathing as required by the state Building Code.
- Sheathing shall have a 1/8" gap at panel ends and edges as recommended in accordance with the APA.

STRUCTURAL FIBERBOARD PANELS:

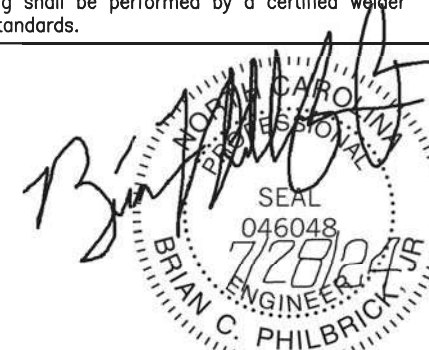
- Fabrication and placement of structural fiberboard sheathing shall be in accordance with the applicable AFA standards.
- Fiberboard wall sheathing shall comply with the requirements of local building codes for the appropriate state as indicated on these drawings. Refer to wall bracing notes in plan set for more information.
- Sheathing shall have a 1/8" gap at panel ends and edges are recommended in accordance with the AFA.

EXTERIOR WOOD FRAMED DECKS:

- Decks are to be framed in accordance with local building codes and as referenced on the structural plans, either through code references or construction details.

STRUCTURAL STEEL:

- Structural steel shall be fabricated and erected in accordance with the American Institute of Steel Construction "Code of Standard Practice for Steel Buildings and Bridges" and of the manual of Steel Construction "Load Resistance Factor Design" latest editions.
- All steel shall have a minimum yield stress (Fy) of 36 ksi unless otherwise noted.
- Welding shall conform to the latest edition of the American Welding Society's Structural Welding Code AWS D1.1. Electrodes for shop and field welding shall be class E70XX. All welding shall be performed by a certified welder per the above standards.



STRUCTURAL MEMBERS ONLY



10121 Pineville Distribution St
 Pineville, NC 28134
 Office: 704.504.1717
 Fax: 704.504.1125
 www.teamues.com



PROJECT
Standard Details
Notes and Specifications
 CLIENT
Smith Douglas Homes
110 Village Trail, Suite 215
Woodstock, GA 30188

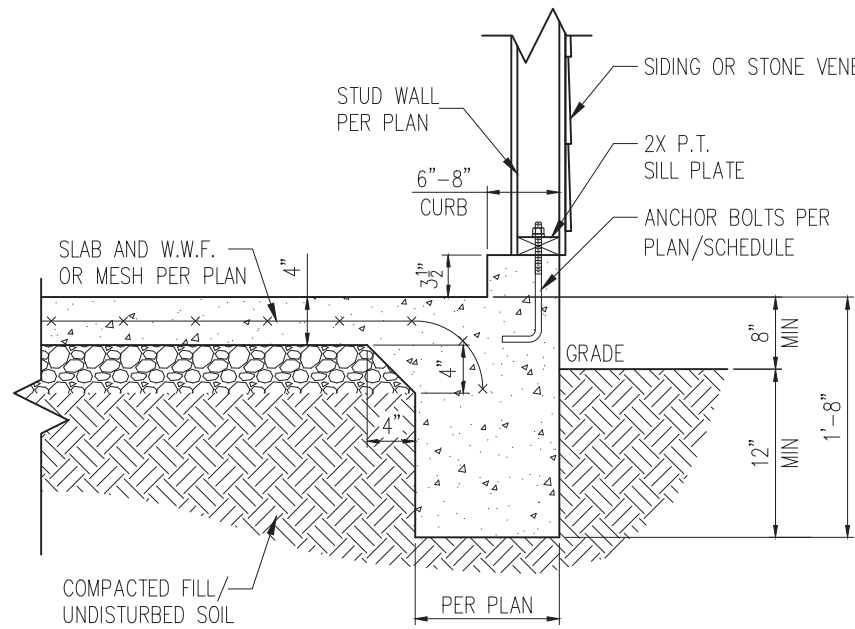
CURRENT DRAWING
 DATE: 07/23/2024
 SCALE: NTS
 PROJECT #: A24117.01650.000
 DRAWN BY: MGC
 CHECKED BY: GWS

ORIGINAL DRAWING
 DATE PROJECT #
 7/23/2024 A24117.01650.000

REFER TO COVER SHEET FOR A COMPLETE LIST OF REVISIONS

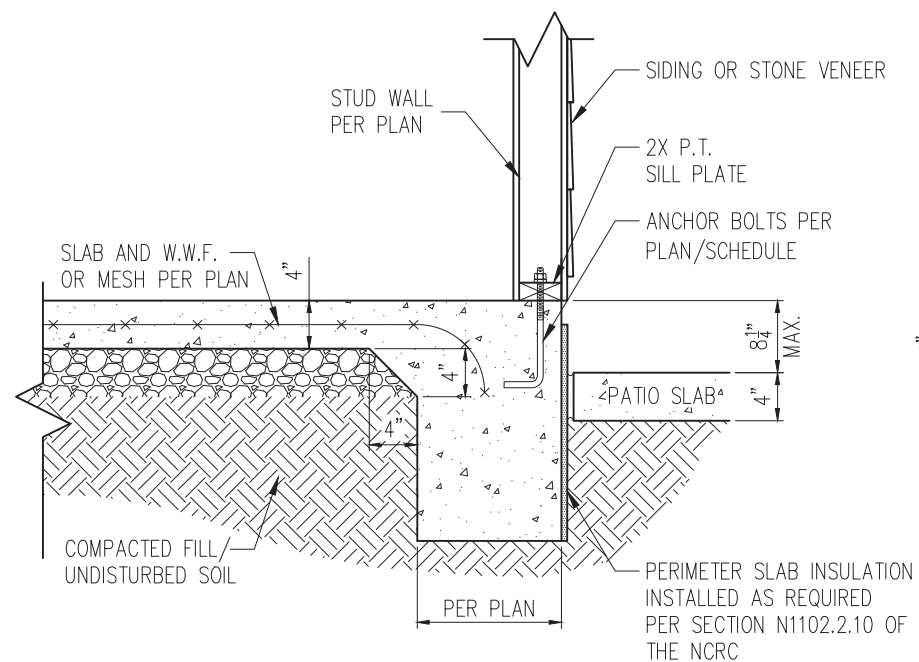
SHEET

CS1



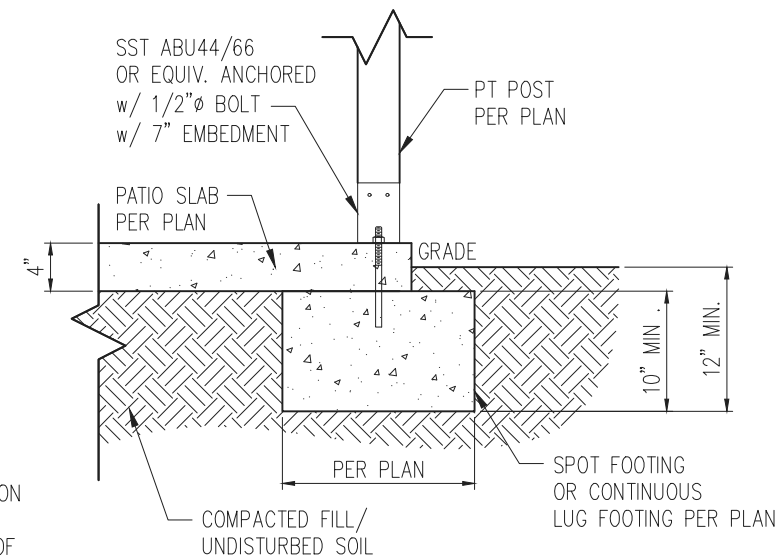
STANDARD - SIDING/STONE

1 TYP. GARAGE CURB DETAIL
D1m 3/4" = 1'-0"

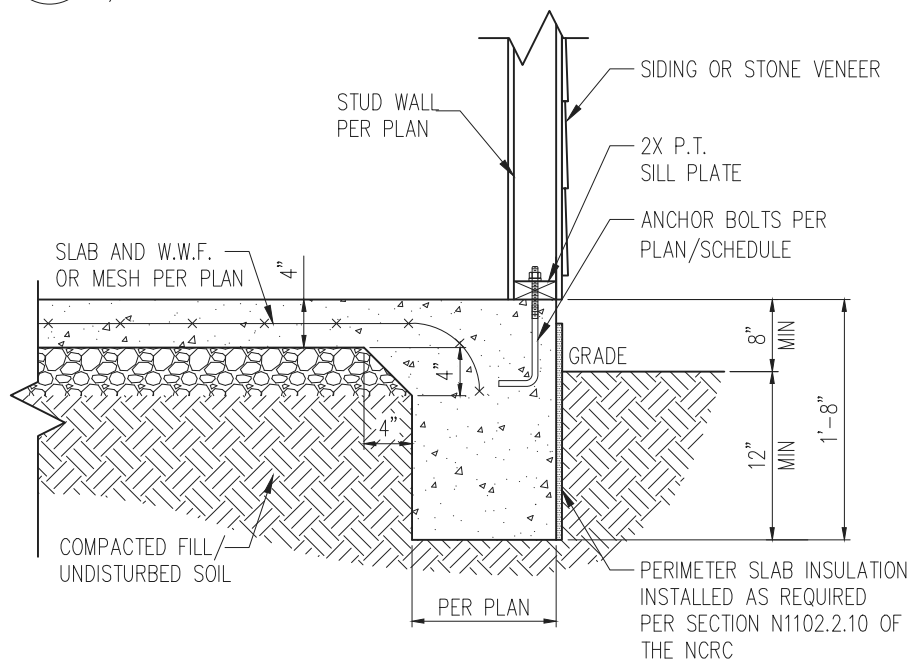


STANDARD - SIDING/STONE

2 PATIO SLAB DETAIL
D1m 3/4" = 1'-0"

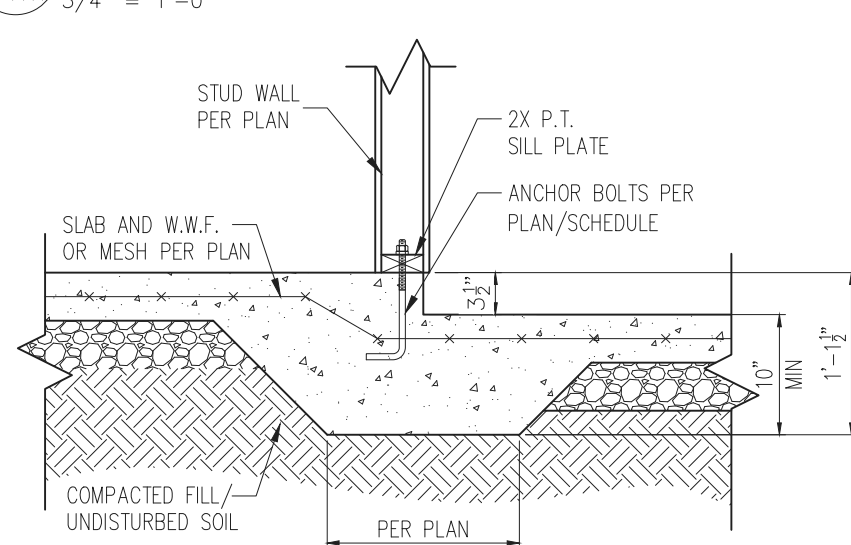


2A COVERED PATIO DETAIL
D1m 3/4" = 1'-0"



STANDARD - SIDING/STONE

3 TYP. SLAB DETAIL
D1m 3/4" = 1'-0"



4 STEP IN GARAGE
D1m 3/4" = 1'-0"

MONOLITHIC FOOTING WIDTH

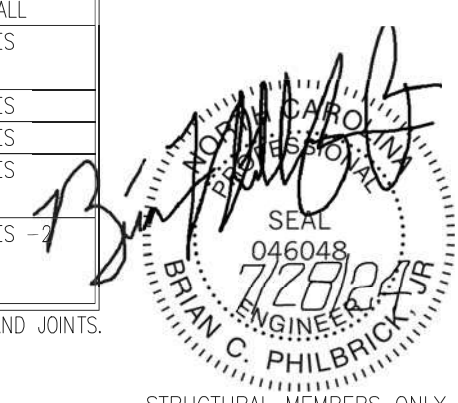
# OF STORIES	WIDTH BASED ON SOIL BEARING CAPACITY		
	1500 PSF	2000 PSF	2500 PSF
1 STORY - STD.	16"	16"	16"
1 STORY - BRICK VENEER	21"	21"	21"
2 STORY - STD.	20"	16"	16"
2 STORY - BRICK VENEER	25"	21"	21"

*5" BRICK LEDGE HAS BEEN ADDED TO THE MONOLITHIC FOOTING WIDTH FOR BRICK SUPPORT

WALL ANCHOR SCHEDULE

TYPE OF ANCHOR	MIN. CONC. EMBEDMENT	SPACING	INTERIOR WALL	EXTERIOR WALL
1/2" A307 BOLTS w/ STD. 90° BEND	7"	6'-0"	YES	YES
SST - MAS	4"	5'-0"	NO	YES
SIMPSON TITEN HD 1/2" - 8"	6-1/2"	6'-0"	YES	YES
1/2" HILTI THREADED ROD w/ HIT HY150 ADHESIVE	7"	6'-0"	YES	YES
1/2" HILTI KWIK BOLT, SST WEDGE-ALL, OR EQUIVALENT WEDGE ANCHORE	7"	6'-0"	YES	YES - 2

NOTE: 1. INSTALL ALL ANCHORS 12" MAX. FROM ALL BOTTOM PLATE ENDS AND JOINTS.
2. EXPANSION ANCHORS MAY BE INSTALLED ONLY AS ALLOWED PER MANUFACTURER SPECIFICATIONS.

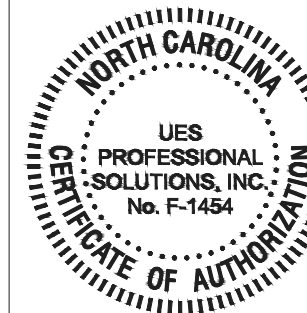


STRUCTURAL MEMBERS ONLY



FORMERLY SUMMIT ENGINEERING, LABORATORY, & TESTING, INC.

10121 Pineville Distribution St
Pineville, NC 28134
Office: 704.504.1717
Fax: 704.504.1125
www.teamues.com



PROJECT
Standard Details
Monolithic Slab Details
CLIENT
Smith Douglas Homes
110 Village Trail, Suite 215
Woodstock, GA 30188

CURRENT DRAWING
DATE: 07/23/2024
SCALE: NTS
PROJECT #: A24117.01650.000
DRAWN BY: MGC
CHECKED BY: GWS

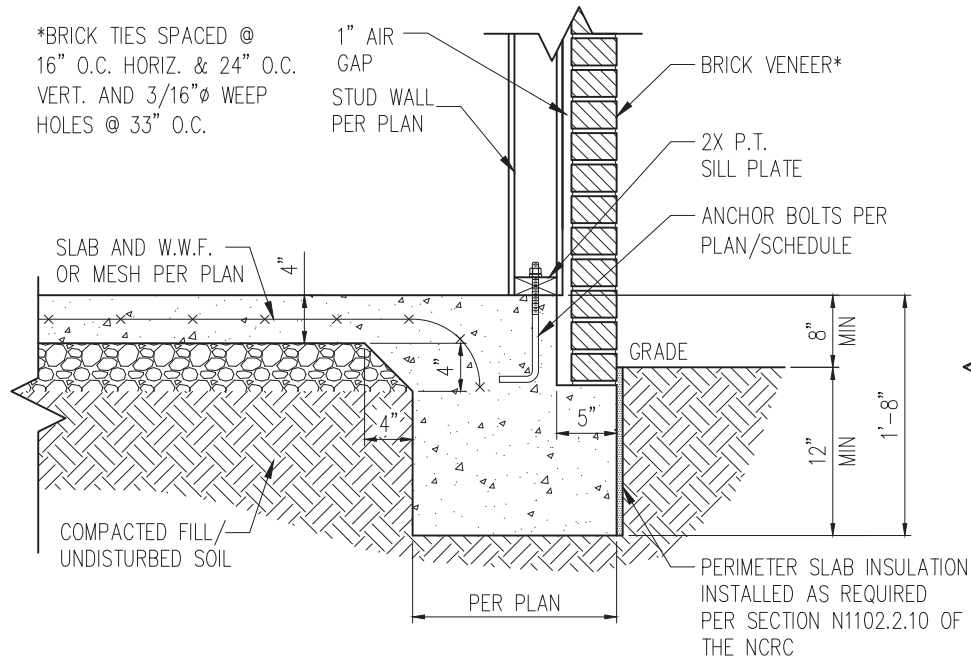
ORIGINAL DRAWING
DATE PROJECT #
7/23/2024 A24117.01650.000

REFER TO COVER SHEET FOR A COMPLETE LIST OF REVISIONS

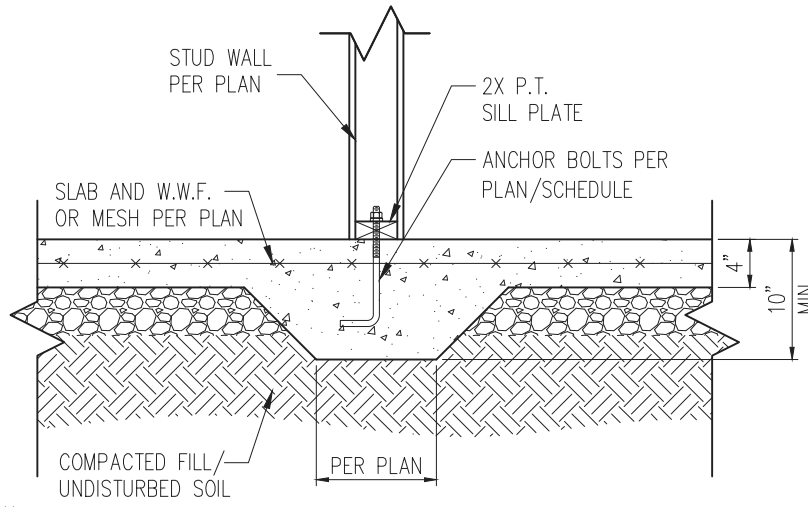
SHEET

D1m

*BRICK TIES SPACED @ 16" O.C. HORIZ. & 24" O.C. VERT. AND 3/16"Ø WEEP HOLES @ 33" O.C.

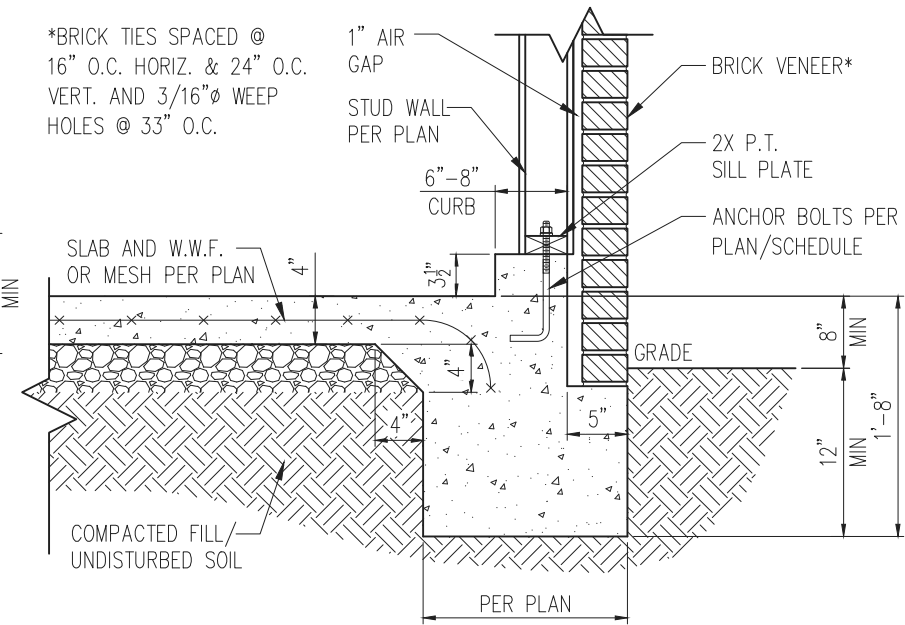


STANDARD - BRICK



3 TYP. THICKENED SLAB DETAIL
D2m 3/4" = 1'-0"

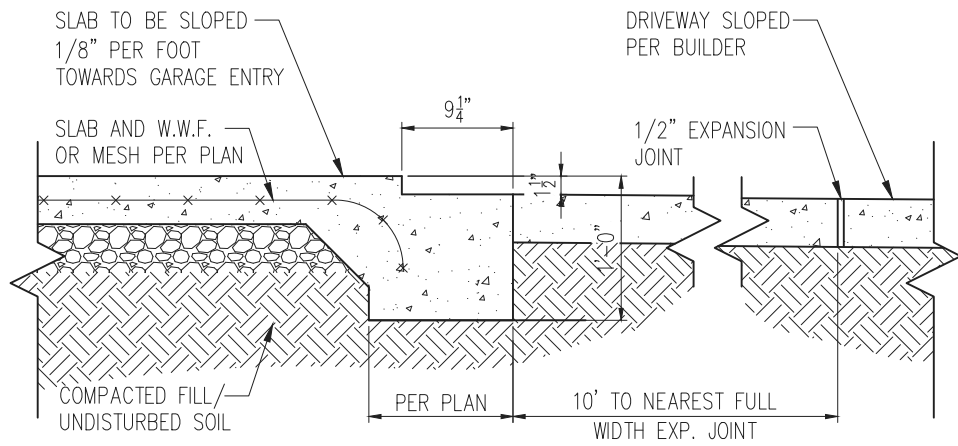
*BRICK TIES SPACED @ 16" O.C. HORIZ. & 24" O.C. VERT. AND 3/16"Ø WEEP HOLES @ 33" O.C.



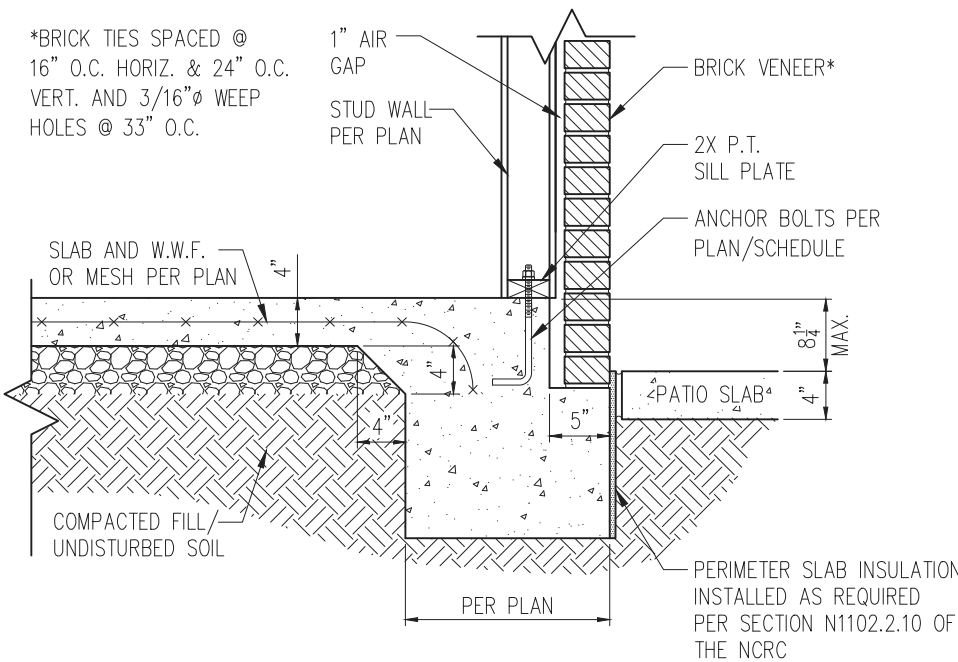
STANDARD - BRICK

5 TYP. GARAGE CURB DETAIL W/ BRICK VENEER
D2m 3/4" = 1'-0"

1 TYP. SLAB DETAIL W/ BRICK VENEER
D2m 3/4" = 1'-0"



2 SLAB AT GARAGE DOOR
D2m 3/4" = 1'-0"



STANDARD - BRICK

4 PATIO SLAB DETAIL W/ BRICK VENEER
D2m 3/4" = 1'-0"

NOTES:

- REFER TO GENERAL NOTES & SPECIFICATIONS ON SHEET CS2 FOR ADDITIONAL INFORMATION.
- PROVIDE 6 MIL VAPOR BARRIER UNDER ALL SLABS-ON-GRADE.
- SEE ARCH. DWGS. FOR ALL TOP OF THE SLAB ELEVATIONS, SLOPES AND DEPRESSIONS.



STRUCTURAL MEMBERS ONLY



10121 Pineville Distribution St
Pineville, NC 28134
Office: 704.504.1717
Fax: 704.504.1125
www.leadmes.com



PROJECT
Standard Details
Monolithic Slab Details
CLIENT
Smith Douglas Homes
110 Village Trail, Suite 215
Woodstock, GA 30188

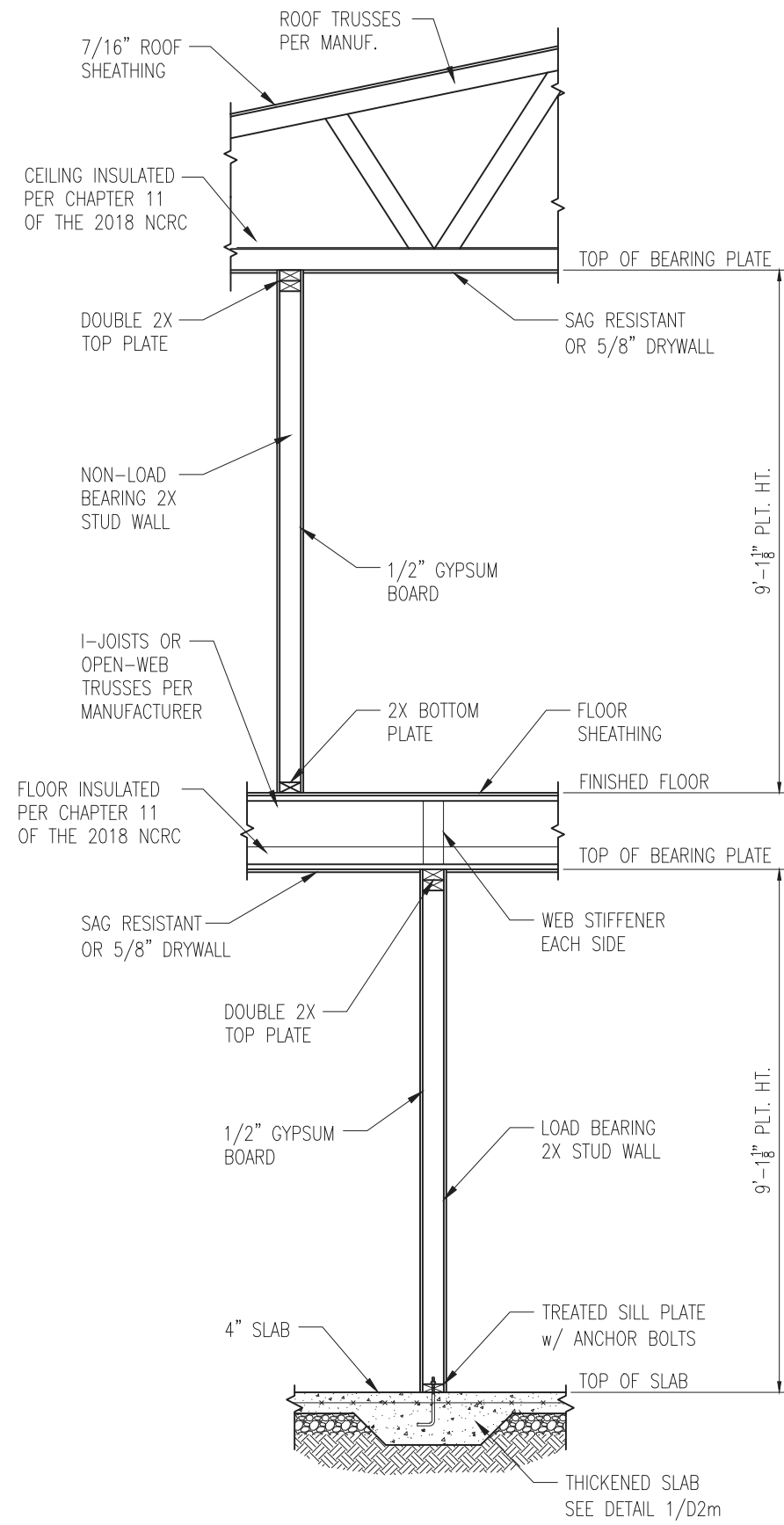
CURRENT DRAWING
DATE: 07/23/2024
SCALE: NTS
PROJECT #: A24117.01650.000
DRAWN BY: MGC
CHECKED BY: GWS

ORIGINAL DRAWING
DATE PROJECT #
7/23/2024 A24117.01650.000

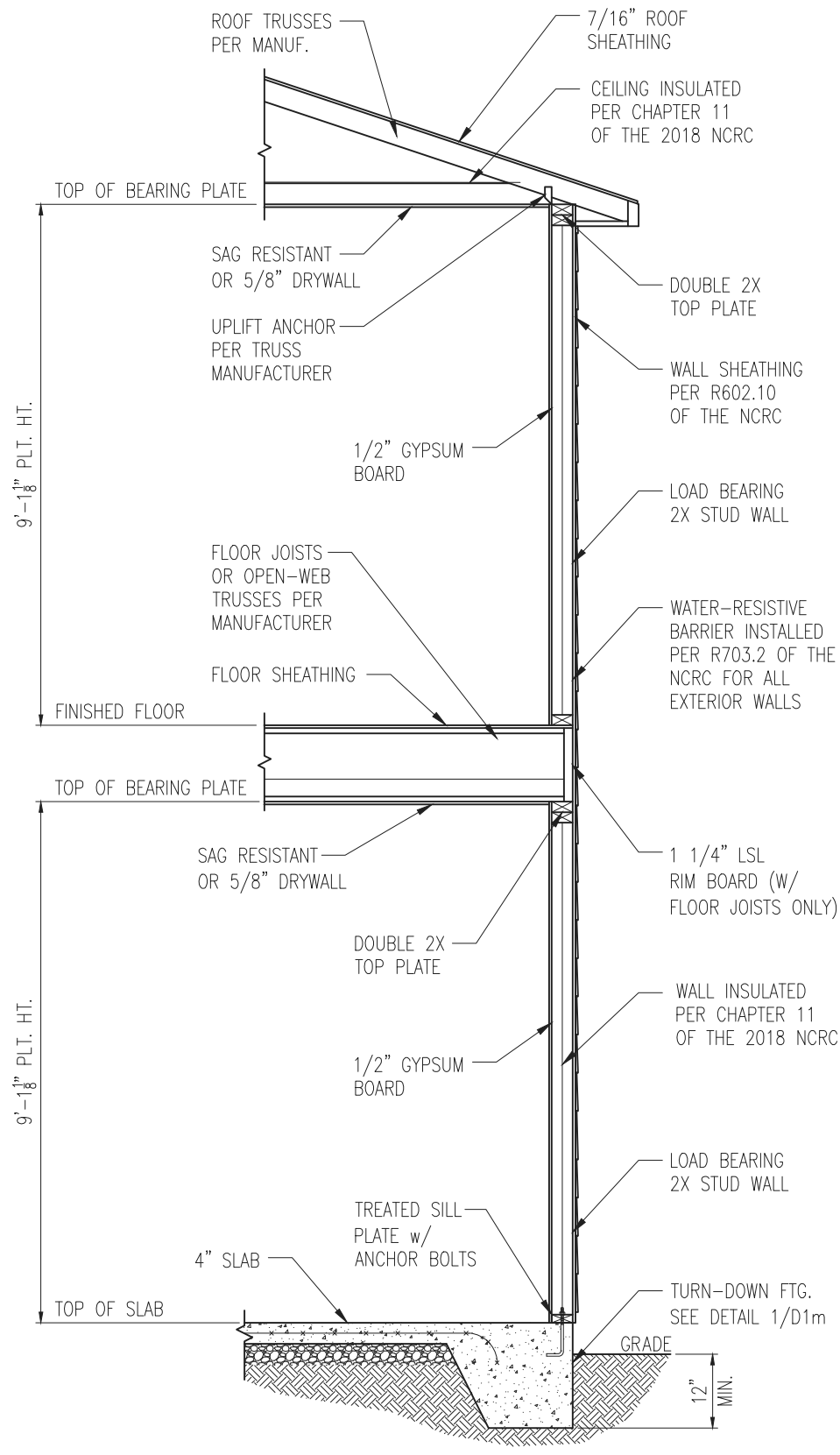
REFER TO COVER SHEET FOR A COMPLETE LIST OF REVISIONS

SHEET

D2m

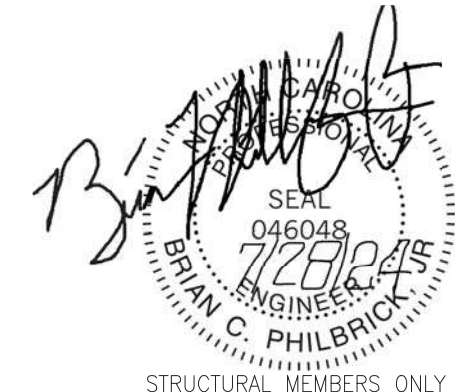


1 TYP. INTERIOR LOAD BEARING WALL SECTION
 D3m 3/4" = 1'-0"



2 TYP. EXTERIOR LOAD BEARING WALL SECTION
 D3m 3/4" = 1'-0"
 -SIMILAR w/ BRICK AND STONE
 -BRICK TIES SPACED @ 16" O.C. HORIZ. & 24" O.C. VERT.
 -MIN. 3/16" Ø WEEP HOLES @ 33" O.C.

- NOTES:
1. REFER TO GENERAL NOTES & SPECIFICATIONS ON SHEET CS2 FOR ADDITIONAL INFORMATION.
 2. PROVIDE 6 MIL VAPOR BARRIER UNDER ALL SLABS-ON-GRADE.
 3. SEE ARCH. DWGS. FOR ALL TOP OF THE SLAB ELEVATIONS, SLOPES AND DEPRESSIONS.



STRUCTURAL MEMBERS ONLY



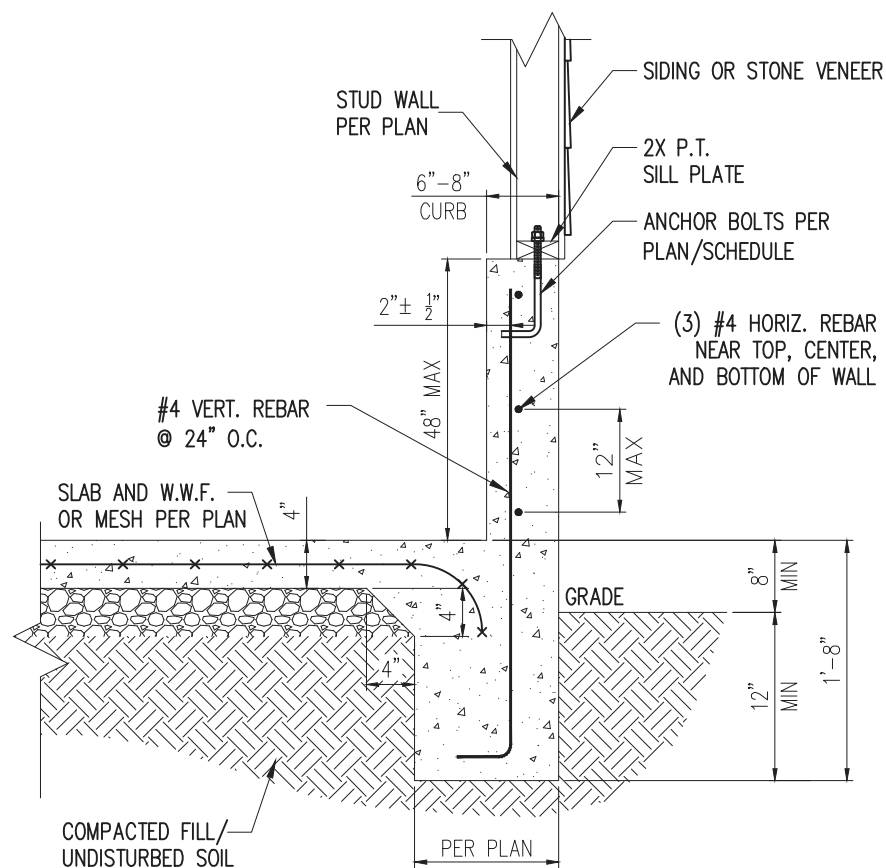
PROJECT
Standard Details
Monolithic Slab Details
 CLIENT
Smith Douglas Homes
 110 Village Trail, Suite 215
 Woodstock, GA 30188

CURRENT DRAWING
 DATE: 07/23/2024
 SCALE: NTS
 PROJECT #: A24117.01650.000
 DRAWN BY: MGC
 CHECKED BY: GWS

ORIGINAL DRAWING
 DATE PROJECT #
 7/23/2024 A24117.01650.000

REFER TO COVER SHEET FOR A COMPLETE LIST OF REVISIONS

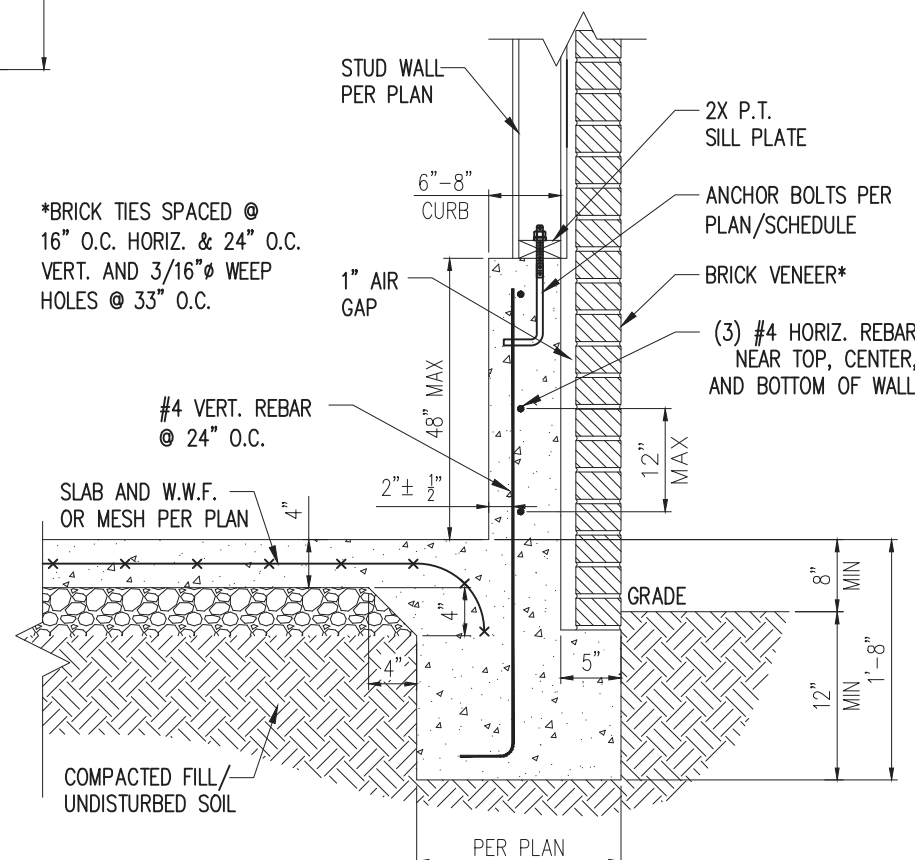
SHEET
D3m



STANDARD - SIDING/STONE

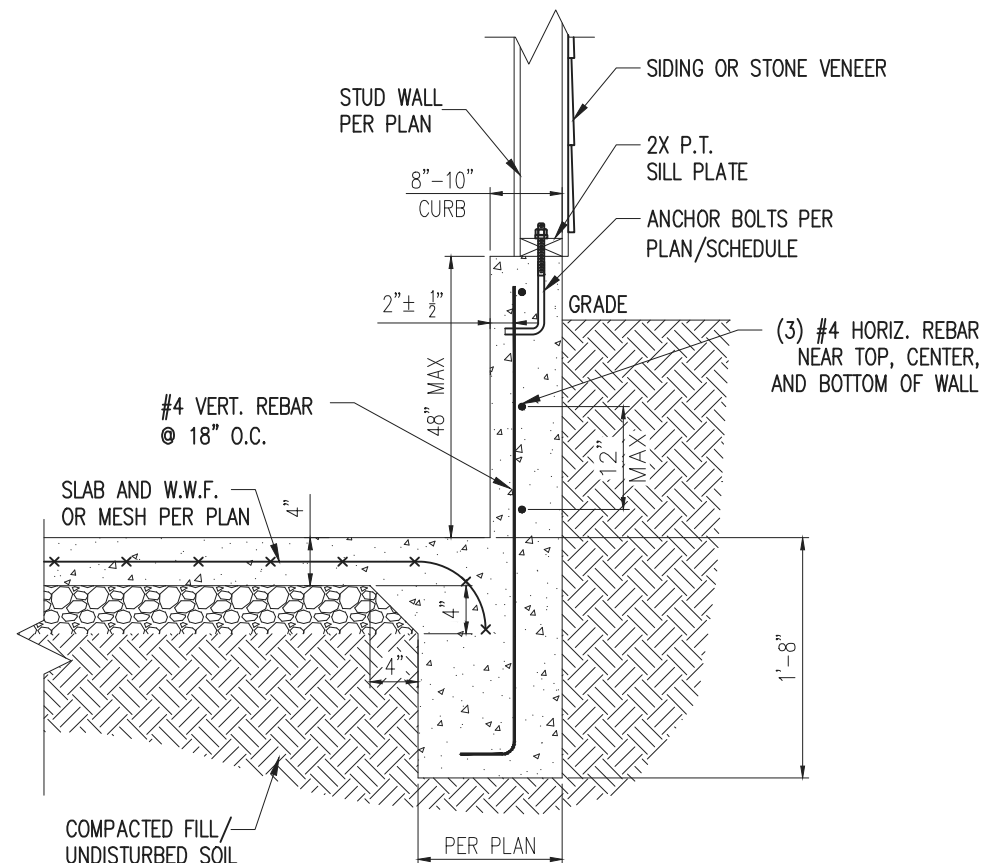
1 EXTENDED GARAGE CURB DETAIL
D4m NTS

*BRICK TIES SPACED @
16" O.C. HORIZ. & 24" O.C.
VERT. AND 3/16" Ø WEEP
HOLES @ 33" O.C.



STANDARD - BRICK

3 EXTENDED GARAGE CURB DETAIL
D4m NTS
W/ BRICK VENEER



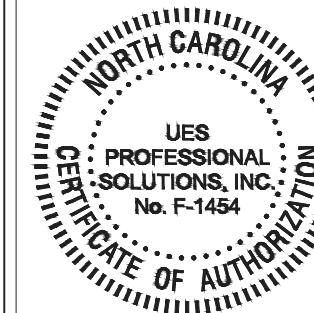
STANDARD - SIDING/STONE

2 EXTENDED GARAGE CURB DETAIL
D4m NTS
W/ UNBALANCED FILL



UES PROFESSIONAL SOLUTIONS 29, INC.
FORMERLY SUMMIT ENGINEERING,
LABORATORY, & TESTING, INC.

10121 Pineville Distribution St
Pineville, NC 28134
Office: 704.504.1717
Fax: 704.504.1125
www.teamues.com



PROJECT
Standard Details
Monolithic Slab Details
CLIENT
Smith Douglas Homes
110 Village Trail, Suite 215
Woodstock, GA 30188

CURRENT DRAWING
DATE: 07/23/2024
SCALE: NTS
PROJECT #: A24117.01650.000
DRAWN BY: MGC
CHECKED BY: GWS

ORIGINAL DRAWING
DATE PROJECT #
7/23/2024 A24117.01650.000

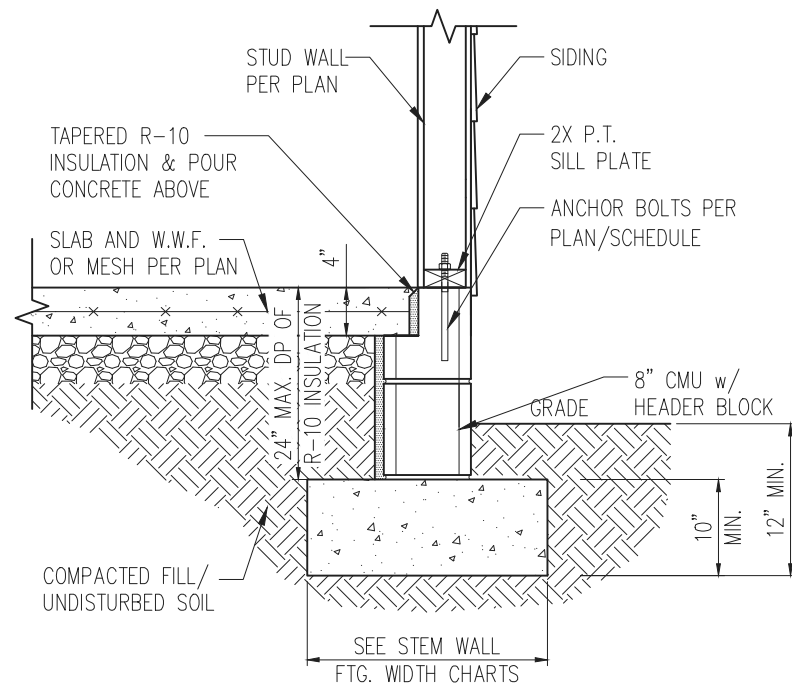
REFER TO COVER SHEET FOR A
COMPLETE LIST OF REVISIONS

SHEET

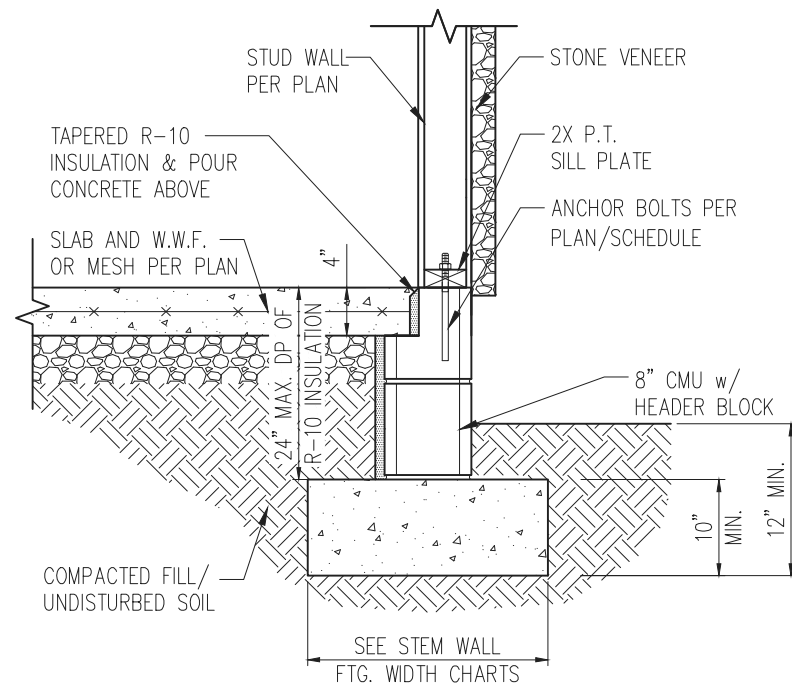
D4m



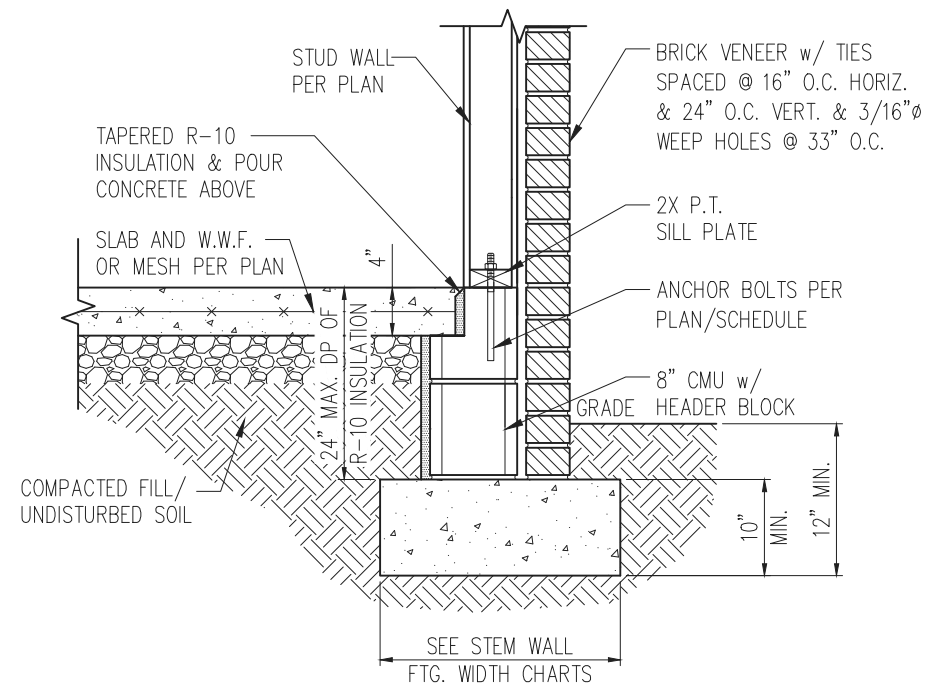
STRUCTURAL MEMBERS ONLY



STANDARD - SIDING

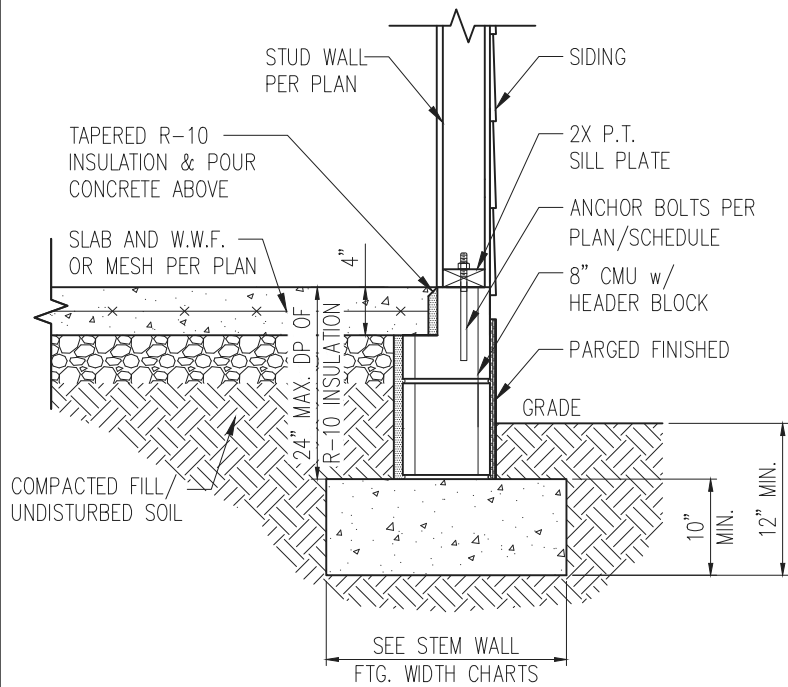


STANDARD - STONE

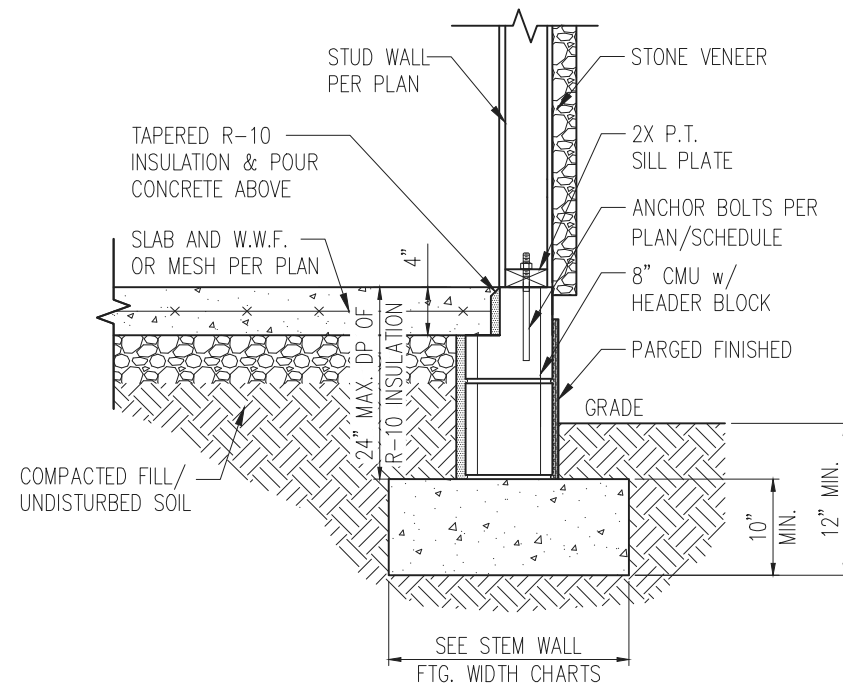


STANDARD - BRICK

1 TYP. STEM WALL DETAIL
D1s 3/4" = 1'-0"



STANDARD - SIDING



STANDARD - STONE

1a STEM WALL DETAIL w/ PARGED FINISH
D1s 3/4" = 1'-0"

STEM WALL FOOTING WIDTH

# OF STORIES	WIDTH BASED ON SOIL BEARING CAPACITY		
	1500 PSF	2000 PSF	2500 PSF
1 STORY - STD.	16"	16"	16"
1 STORY - BRICK VENEER	21"*	21"*	21"*
2 STORY - STD.	20"	16"	16"
2 STORY - BRICK VENEER	25"*	21"*	21"*

*5" BRICK LEDGE HAS BEEN ADDED TO THE STEM WALL FOOTING WIDTH FOR BRICK SUPPORT

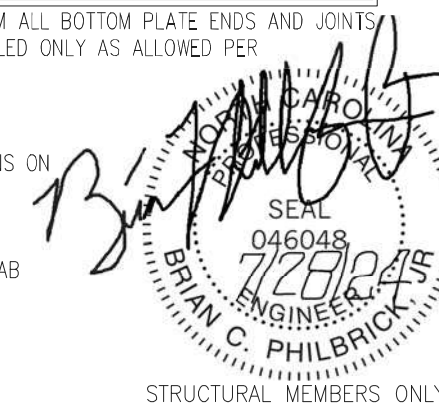
WALL ANCHOR SCHEDULE

TYPE OF ANCHOR	MIN. CONC. EMBEDMENT	SPACING	INTERIOR WALL	EXTERIOR WALL
			YES	YES
1/2" A307 BOLTS w/ STD. 90° BEND	7"	6'-0"	YES	YES
SST - MAS	4"	5'-0"	NO	YES
SIMPSON TITEN HD 1/2" - 8"	6-1/2"	6'-0"	YES	YES
1/2" HILTI THREADED ROD w/ HIT HY150 ADHESIVE	7"	6'-0"	YES	YES
1/2" HILTI KWIK BOLT, SST WEDGE-ALL, OR EQUIVALENT WEDGE ANCHORE	7"	6'-0"	YES	YES -2

NOTE: 1. INSTALL ALL ANCHORS 12" MAX. FROM ALL BOTTOM PLATE ENDS AND JOINTS
2. EXPANSION ANCHORS MAY BE INSTALLED ONLY AS ALLOWED PER MANUFACTURER SPECIFICATIONS.

NOTES:

- REFER TO GENERAL NOTES & SPECIFICATIONS ON SHEET CS2 FOR ADDITIONAL INFORMATION.
- PROVIDE 6 MIL VAPOR BARRIER UNDER ALL SLABS-ON-GRADE.
- SEE ARCH. DWGS. FOR ALL TOP OF THE SLAB ELEVATIONS, SLOPS AND DEPRESSIONS.



STRUCTURAL MEMBERS ONLY



10121 Pineville Distribution St
Pineville, NC 28134
Office: 704.504.1717
Fax: 704.504.1125
www.teamues.com



PROJECT
Standard Details
Stemwall Details

CLIENT
Smith Douglas Homes
110 Village Trail, Suite 215
Woodstock, GA 30188

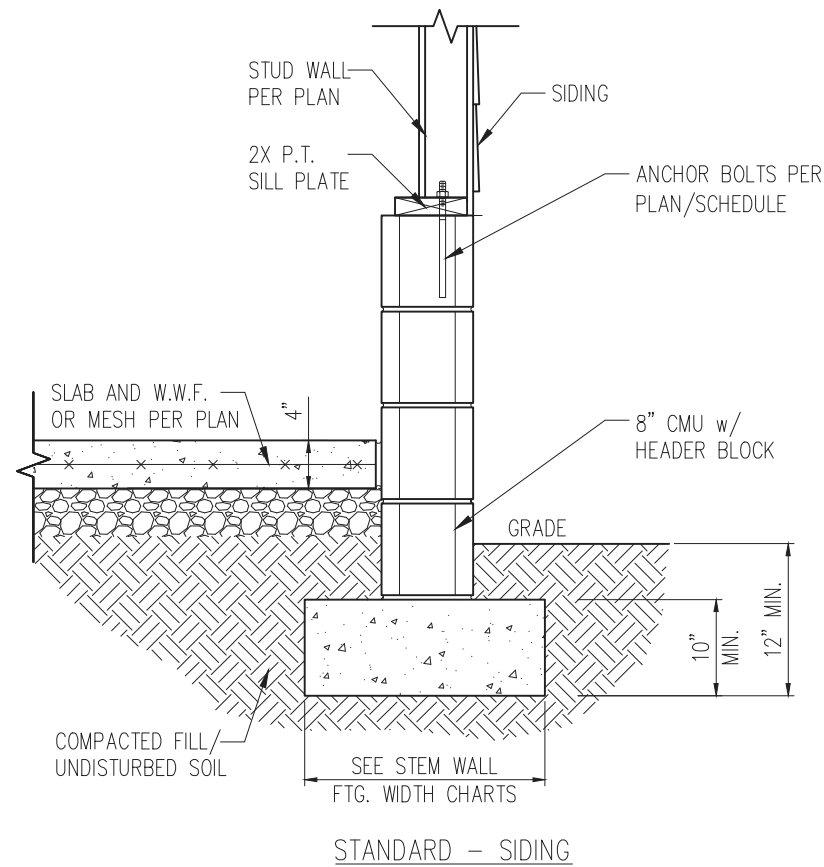
CURRENT DRAWING
DATE: 07/23/2024
SCALE: NTS
PROJECT #: A24117.01650.000
DRAWN BY: MGC
CHECKED BY: GWS

ORIGINAL DRAWING
DATE PROJECT #
7/23/2024 A24117.01650.000

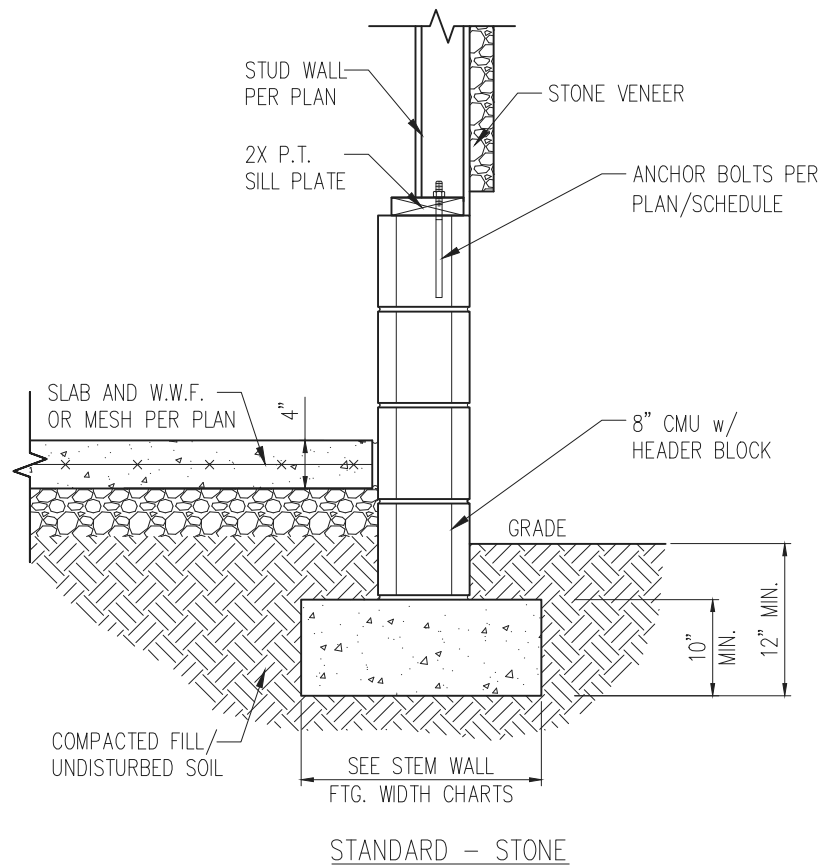
REFER TO COVER SHEET FOR A COMPLETE LIST OF REVISIONS

SHEET

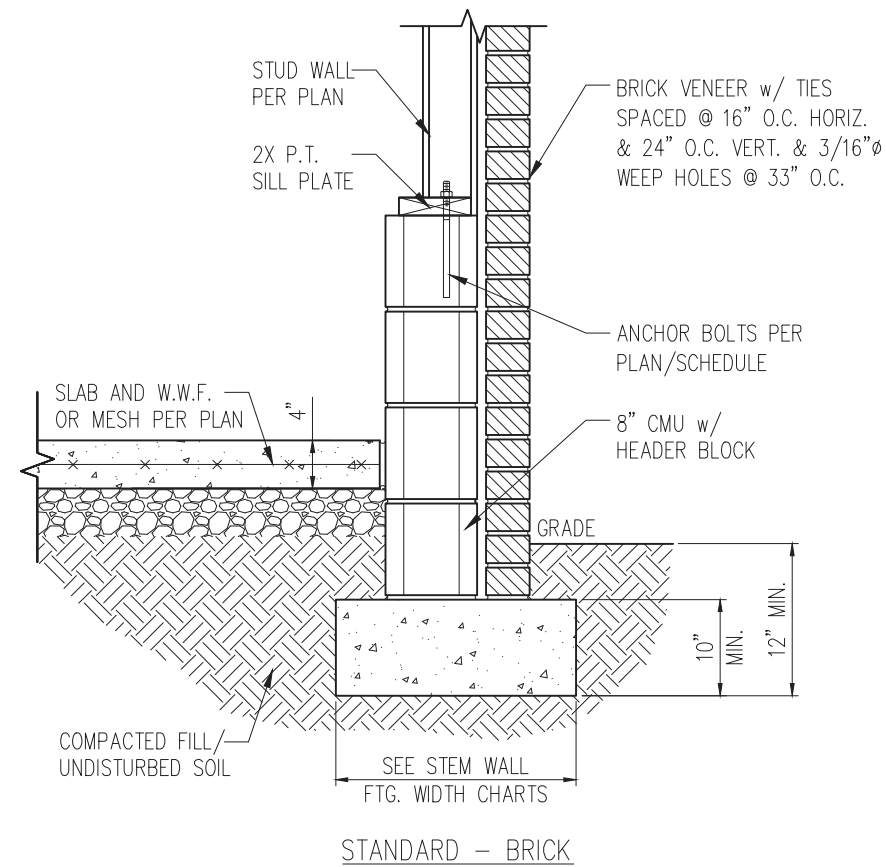
D1s



STANDARD - SIDING

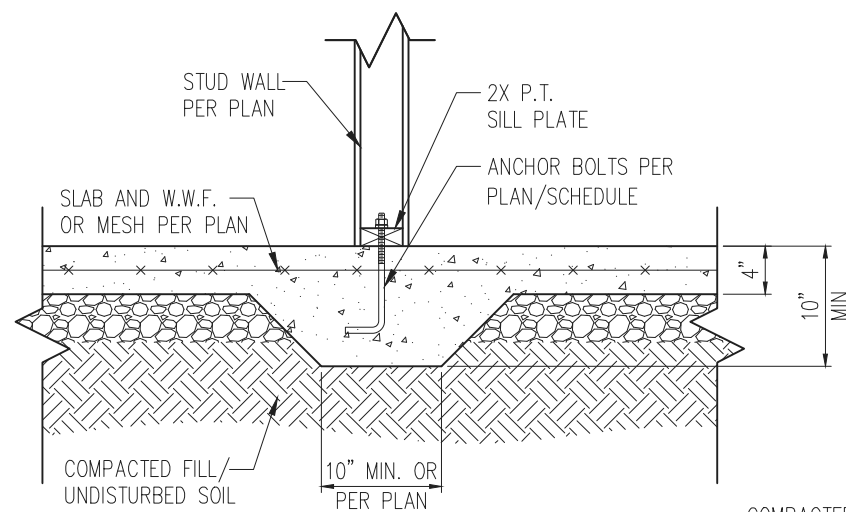


STANDARD - STONE

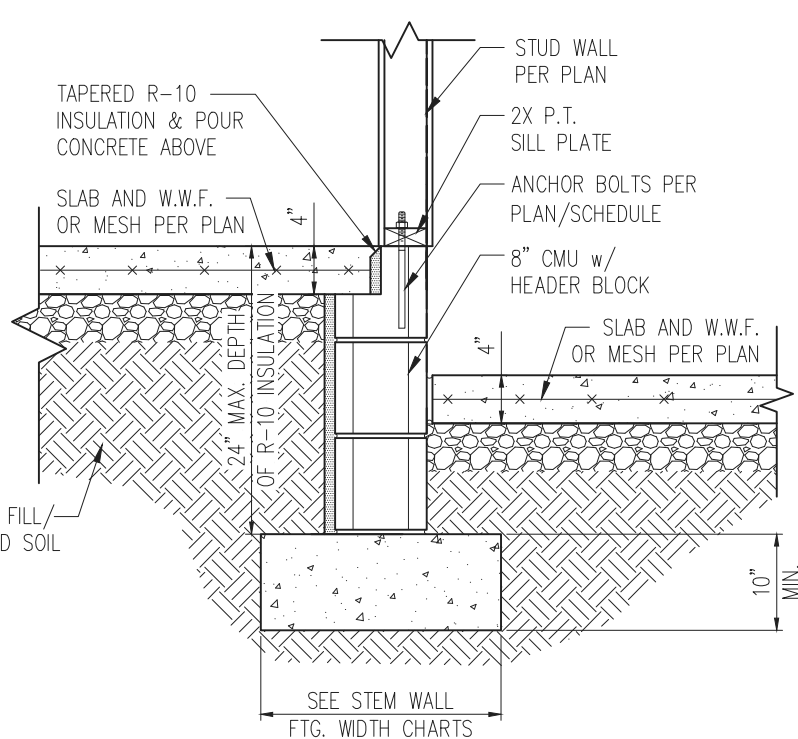


STANDARD - BRICK

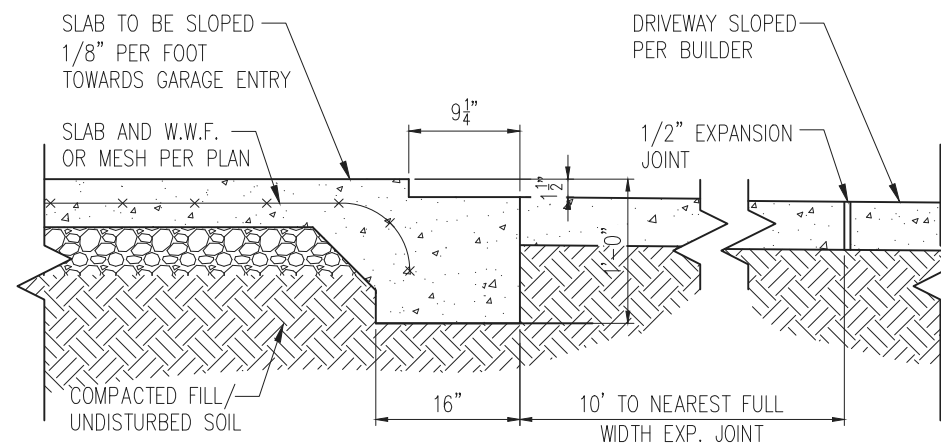
1 TYP. GARAGE CURB DETAIL
D2s 3/4" = 1'-0"



2 TYP. THICKENED SLAB DETAIL
D2s 3/4" = 1'-0"



3 HOUSE/GARAGE WALL DETAIL
D2s 3/4" = 1'-0"



4 SLAB AT GARAGE DOOR
D2s 3/4" = 1'-0"

- NOTES:
- REFER TO GENERAL NOTES & SPECIFICATIONS ON SHEET CS2 FOR ADDITIONAL INFORMATION.
 - PROVIDE 6 MIL VAPOR BARRIER UNDER ALL SLABS-ON-GRADE.
 - SEE ARCH. DWGS. FOR ALL TOP OF THE SLAB ELEVATIONS, SLOPES AND DEPRESSIONS.

SEAL
046048
7/28/24
ENGINEER
BRIAN C. PHILBRICK JR.
STRUCTURAL MEMBERS ONLY

UES
UES PROFESSIONAL SOLUTIONS 29, INC.
FORMERLY SUMMIT ENGINEERING,
LABORATORY, & TESTING, INC.
10121 Pineville Distribution St
Pineville, NC 28134
Office: 704.504.1717
Fax: 704.504.1125
www.leafumes.com



PROJECT
Standard Details
Stemwall Details
CLIENT
Smith Douglas Homes
110 Village Trail, Suite 215
Woodstock, GA 30188

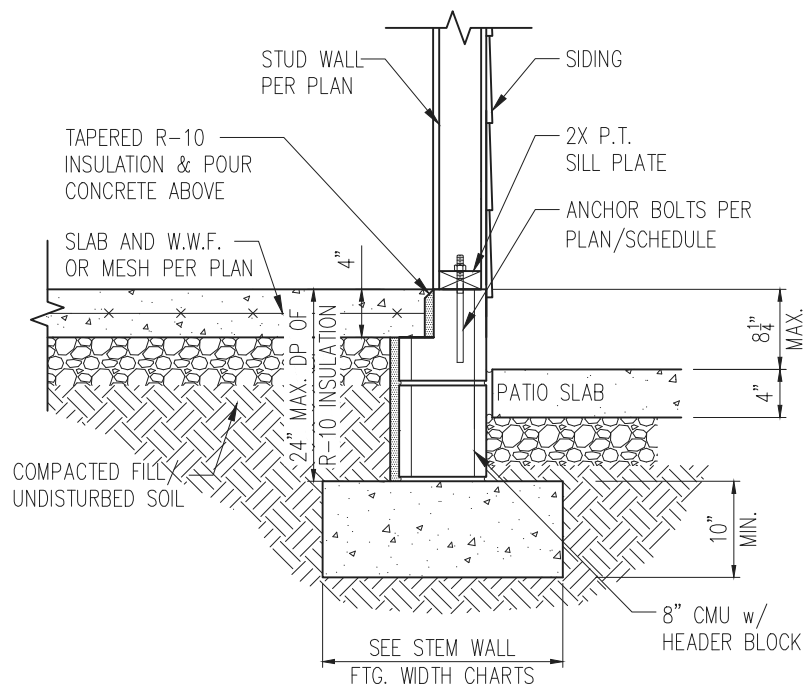
CURRENT DRAWING
DATE: 07/23/2024
SCALE: NTS
PROJECT #: A24117.01650.000
DRAWN BY: MGC
CHECKED BY: GWS

ORIGINAL DRAWING
DATE PROJECT #
7/23/2024 A24117.01650.000

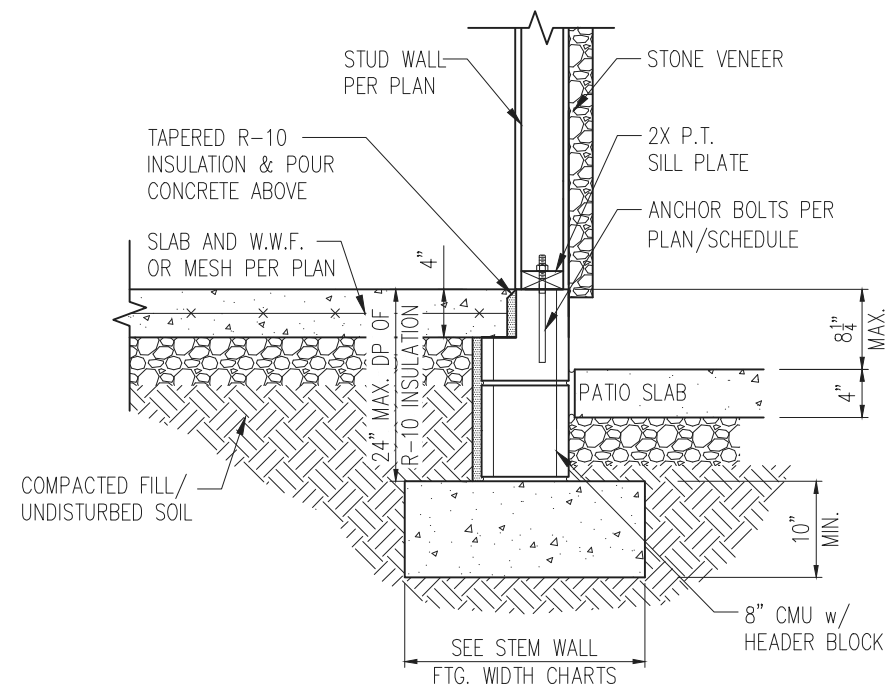
REFER TO COVER SHEET FOR A COMPLETE LIST OF REVISIONS

SHEET

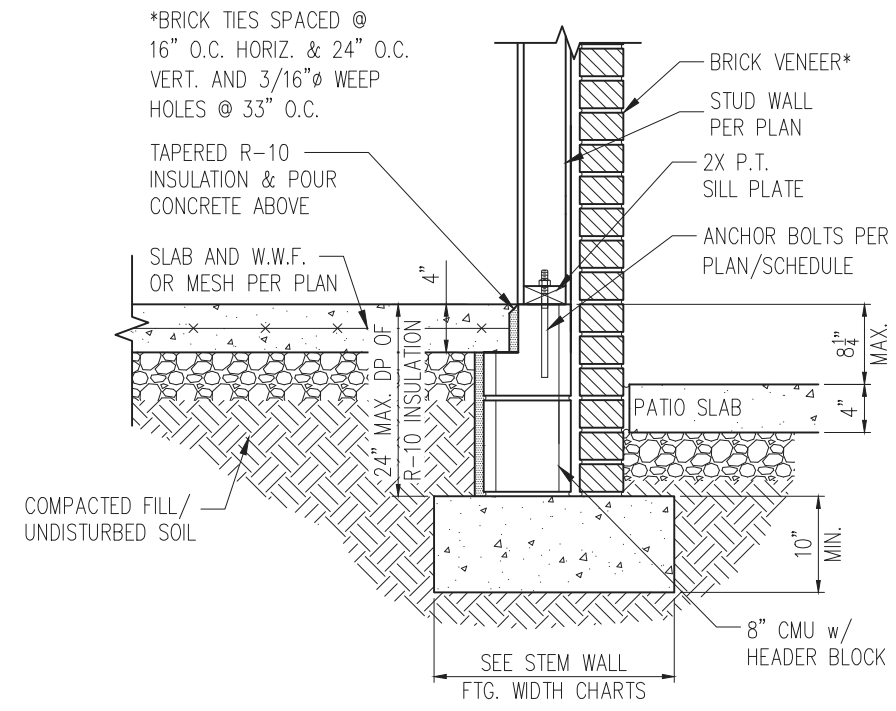
D2s



STANDARD - SIDING

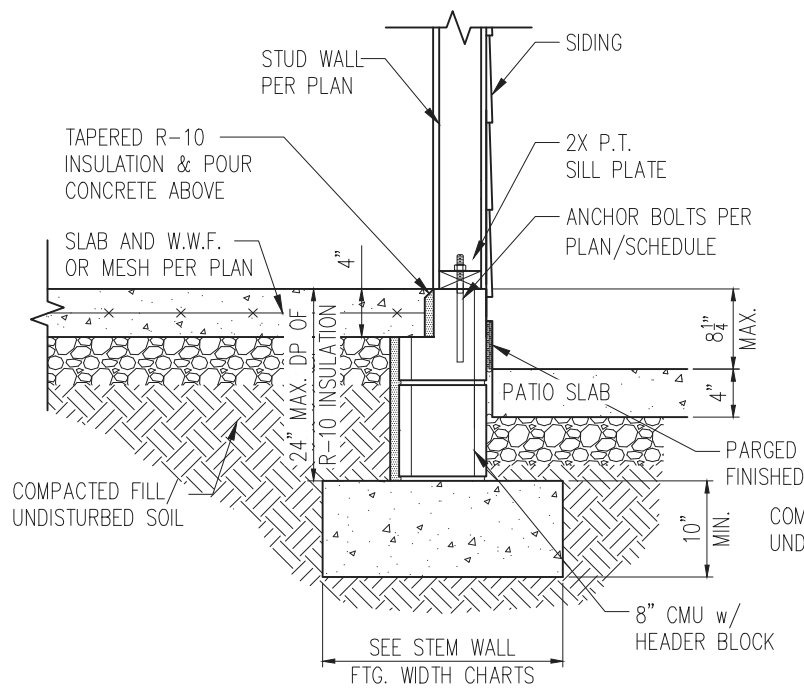


STANDARD - STONE

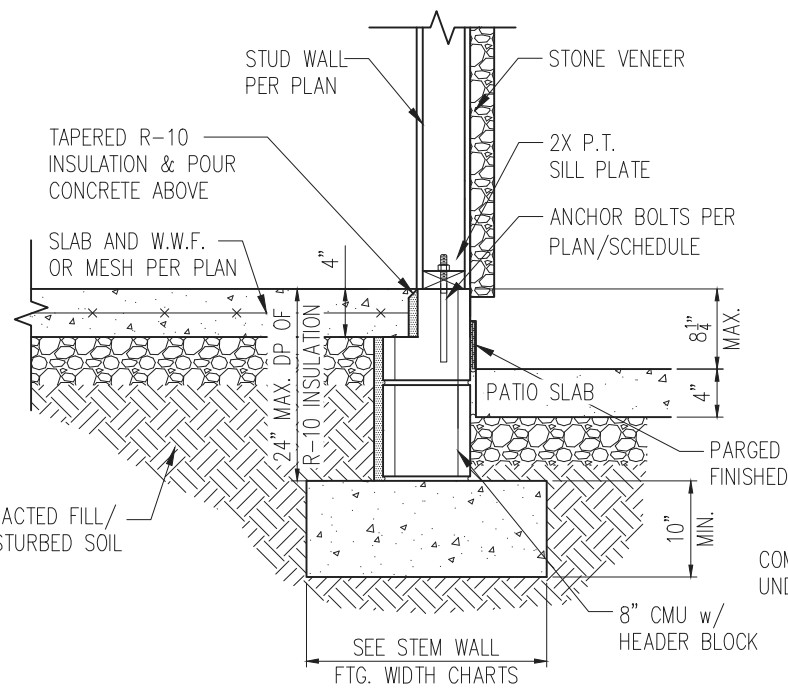


STANDARD - BRICK

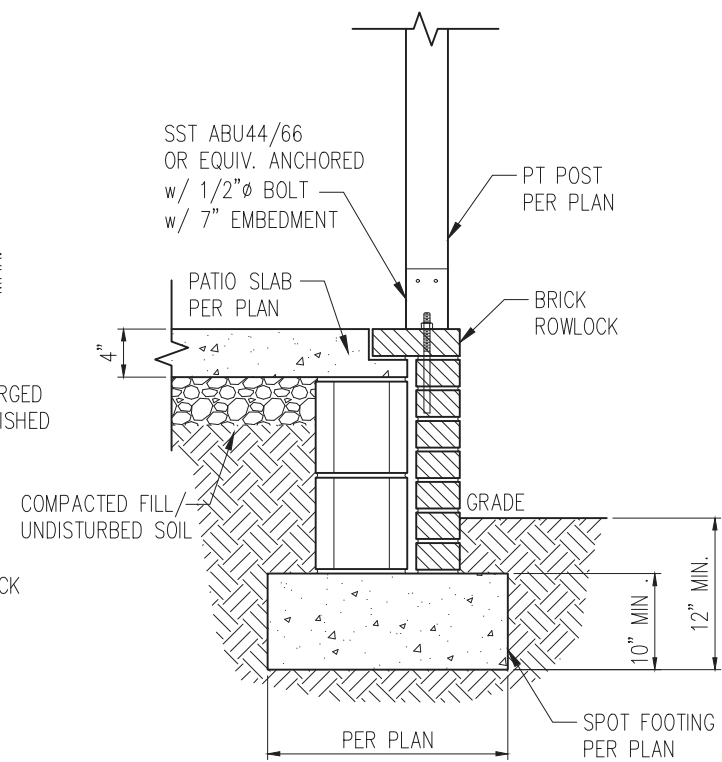
1 PORCH SLAB DETAIL
D3s 3/4" = 1'-0"



STANDARD - SIDING



STANDARD - STONE



2 COVERED PORCH DETAIL
D3s 3/4" = 1'-0"

- NOTES:
1. REFER TO GENERAL NOTES & SPECIFICATIONS ON SHEET CS2 FOR ADDITIONAL INFORMATION.
 2. PROVIDE 6 MIL VAPOR BARRIER UNDER ALL SLABS-ON-GRADE.
 3. SEE ARCH. DWGS. FOR ALL TOP OF THE SLAB ELEVATIONS, SLOPES AND DEPRESSIONS.



STRUCTURAL MEMBERS ONLY



10121 Pineville Distribution St
Pineville, NC 28134
Office: 704.504.1717
Fax: 704.504.1125
www.teamues.com



PROJECT
Standard Details
Stemwall Details
CLIENT
Smith Douglas Homes
110 Village Trail, Suite 215
Woodstock, GA 30188

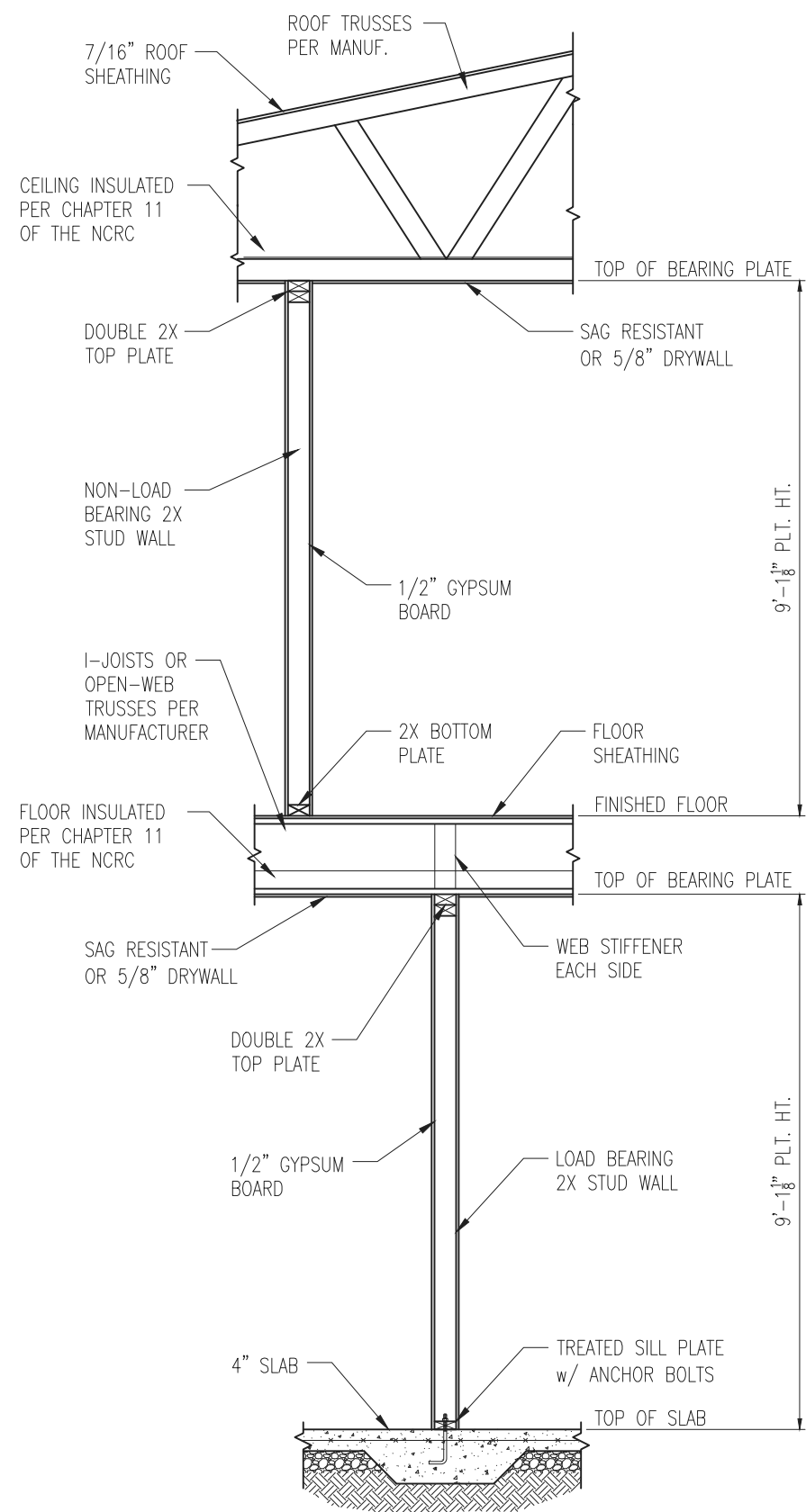
CURRENT DRAWING
DATE: 07/23/2024
SCALE: NTS
PROJECT #: A24117.01650.000
DRAWN BY: MGC
CHECKED BY: GWS

ORIGINAL DRAWING
DATE PROJECT #
7/23/2024 A24117.01650.000

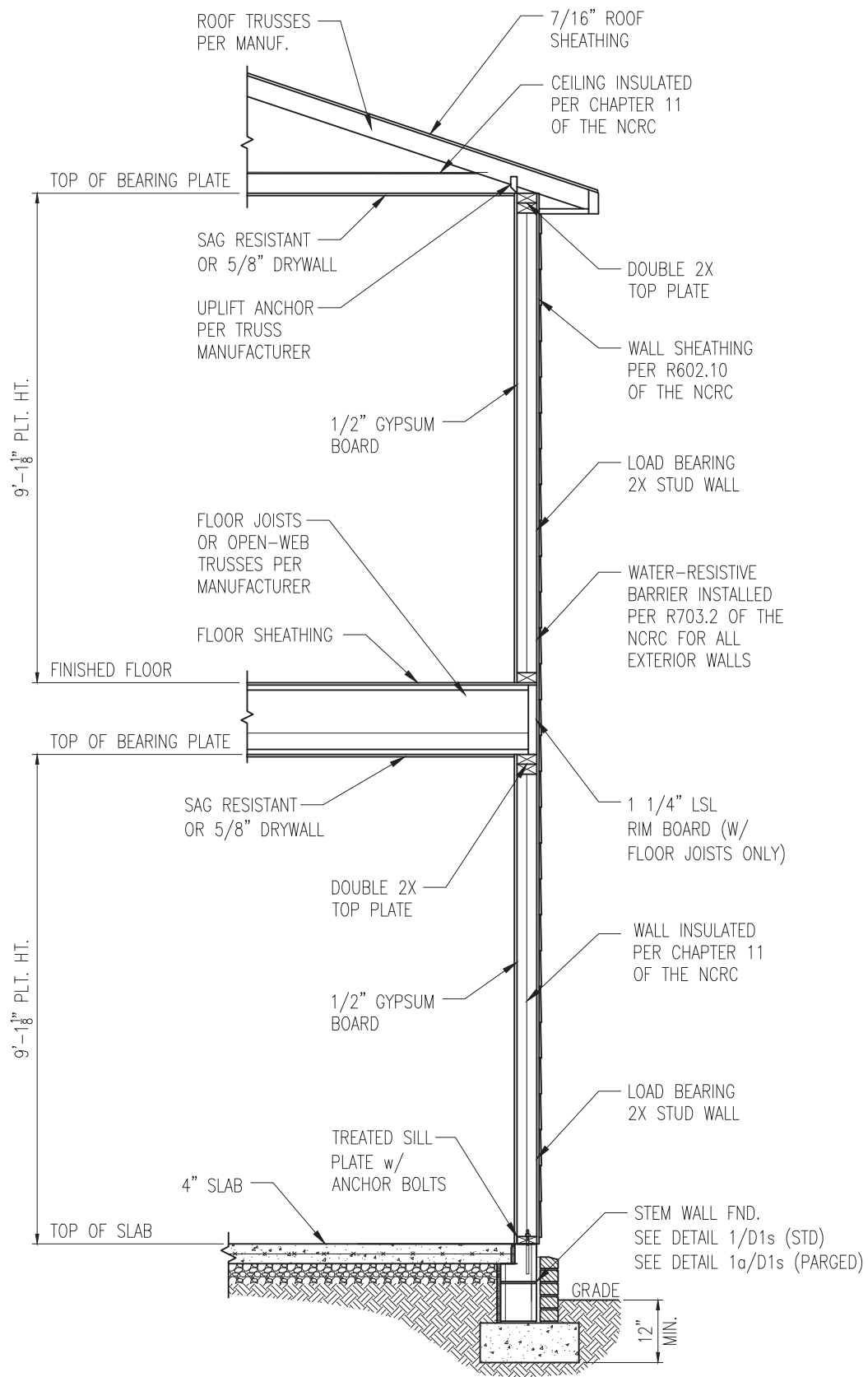
REFER TO COVER SHEET FOR A COMPLETE LIST OF REVISIONS

SHEET

D3s



1 TYP. INTERIOR LOAD BEARING WALL SECTION
 D4s 3/4" = 1'-0"

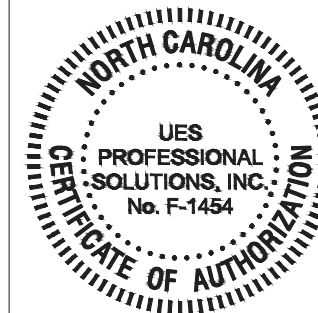


2 TYP. EXTERIOR LOAD BEARING WALL SECTION
 D4s 3/4" = 1'-0" -SIMILAR w/ BRICK AND STONE
 -BRICK TIES SPACED @ 16" O.C. HORIZ. & 24" O.C. VERT.
 -MIN. 3/16"Ø WEEP HOLES @ 33" O.C.

- NOTES:
1. REFER TO GENERAL NOTES & SPECIFICATIONS ON SHEET CS2 FOR ADDITIONAL INFORMATION.
 2. PROVIDE 6 MIL VAPOR BARRIER UNDER ALL SLABS-ON-GRADE.
 3. SEE ARCH. DWGS. FOR ALL TOP OF THE SLAB ELEVATIONS, SLOPES AND DEPRESSIONS.

SEAL
 046048
 7/28/24
 B. PHILBRICK JR.
 ENGINEER
 STRUCTURAL MEMBERS ONLY

UES
 UES PROFESSIONAL SOLUTIONS 29, INC.
 FORMERLY SUMMIT ENGINEERING,
 LABORATORY, & TESTING, INC.
 10121 Pineville Distribution St
 Pineville, NC 28134
 Office: 704.504.1717
 Fax: 704.504.1125
 www.leafumes.com



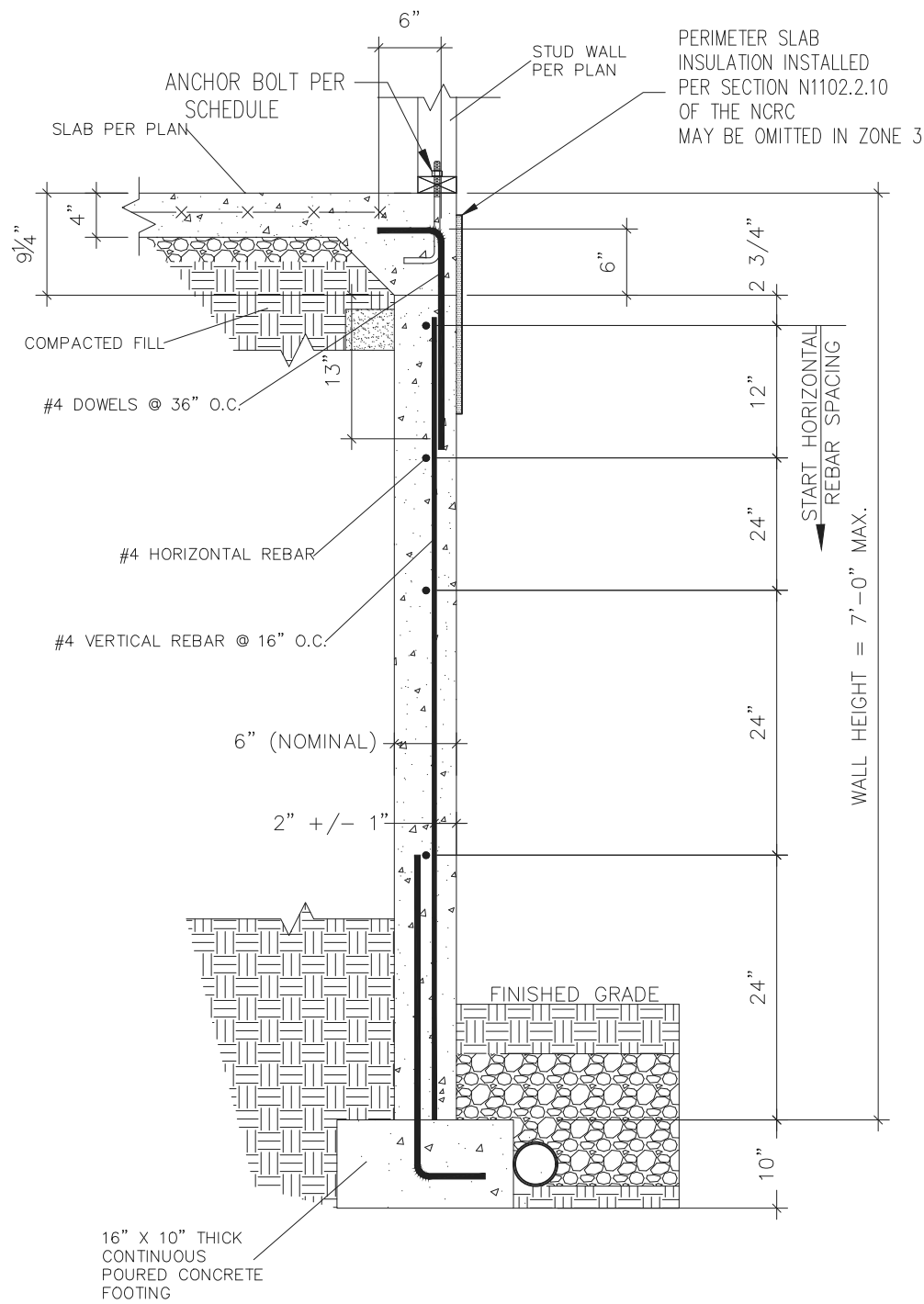
PROJECT
Standard Details
Stemwall Details
 CLIENT
Smith Douglas Homes
 110 Village Trail, Suite 215
 Woodstock, GA 30188

CURRENT DRAWING
 DATE: 07/23/2024
 SCALE: NTS
 PROJECT #: A24117.01650.000
 DRAWN BY: MGC
 CHECKED BY: GWS

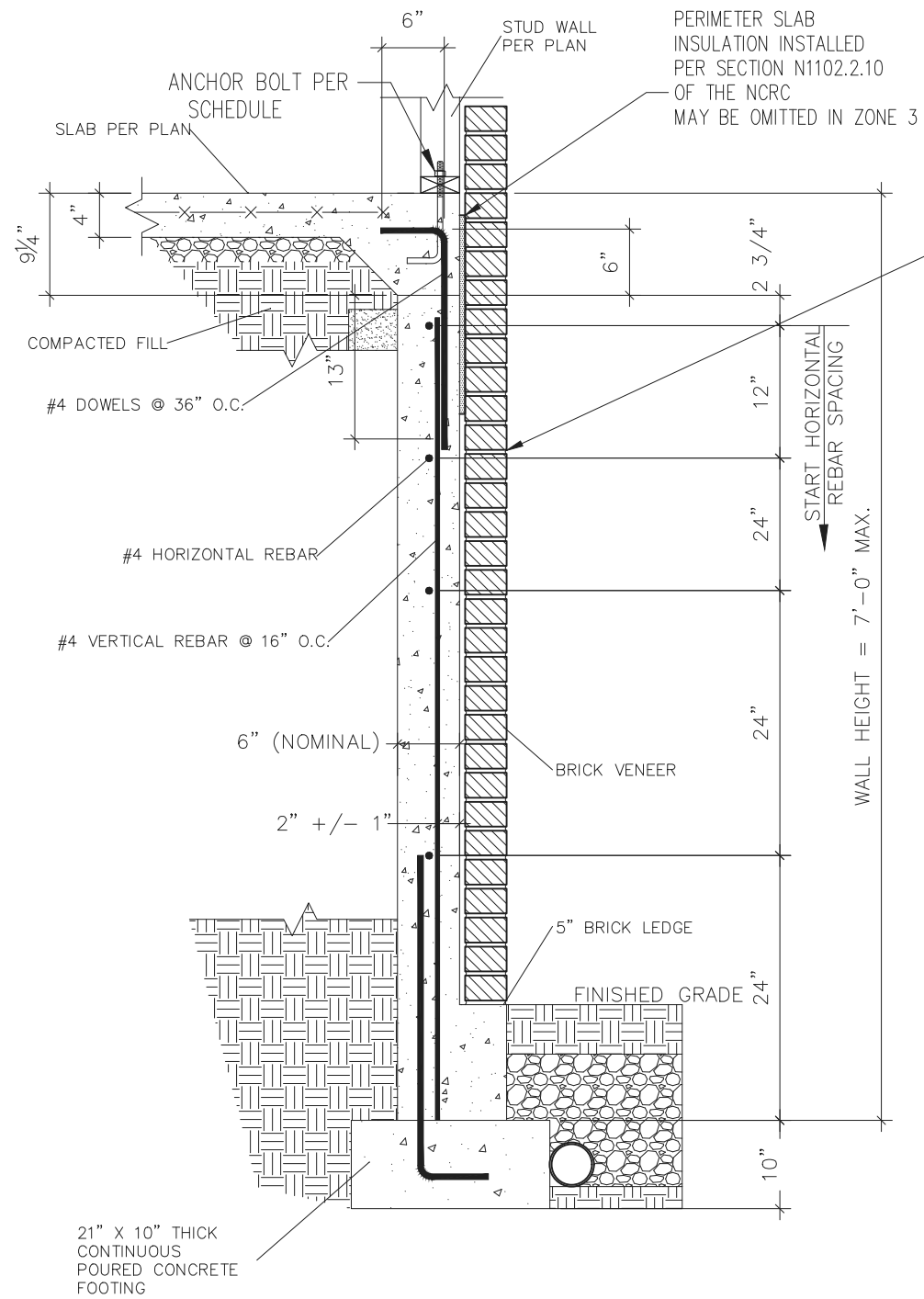
ORIGINAL DRAWING
 DATE PROJECT #
 7/23/2024 A24117.01650.000

REFER TO COVER SHEET FOR A COMPLETE LIST OF REVISIONS

SHEET
D4s



1 SUBWALL FOUNDATION
 D5s 3/4" = 1'-0"



2 SUBWALL FOUNDATION W/ BRICK VENEER
 D5s 3/4" = 1'-0"

PROVIDE LADDER WIRE OR METAL TIES, INSTALLED PER R608.1.2 OF THE NCRC, AND FULLY GROUT BETWEEN BRICK AND CONCRETE.

SEAL
 046048
 7/28/24
 ENGINEER
 BRIAN C. PHILBRICK, JR.
 STRUCTURAL MEMBERS ONLY



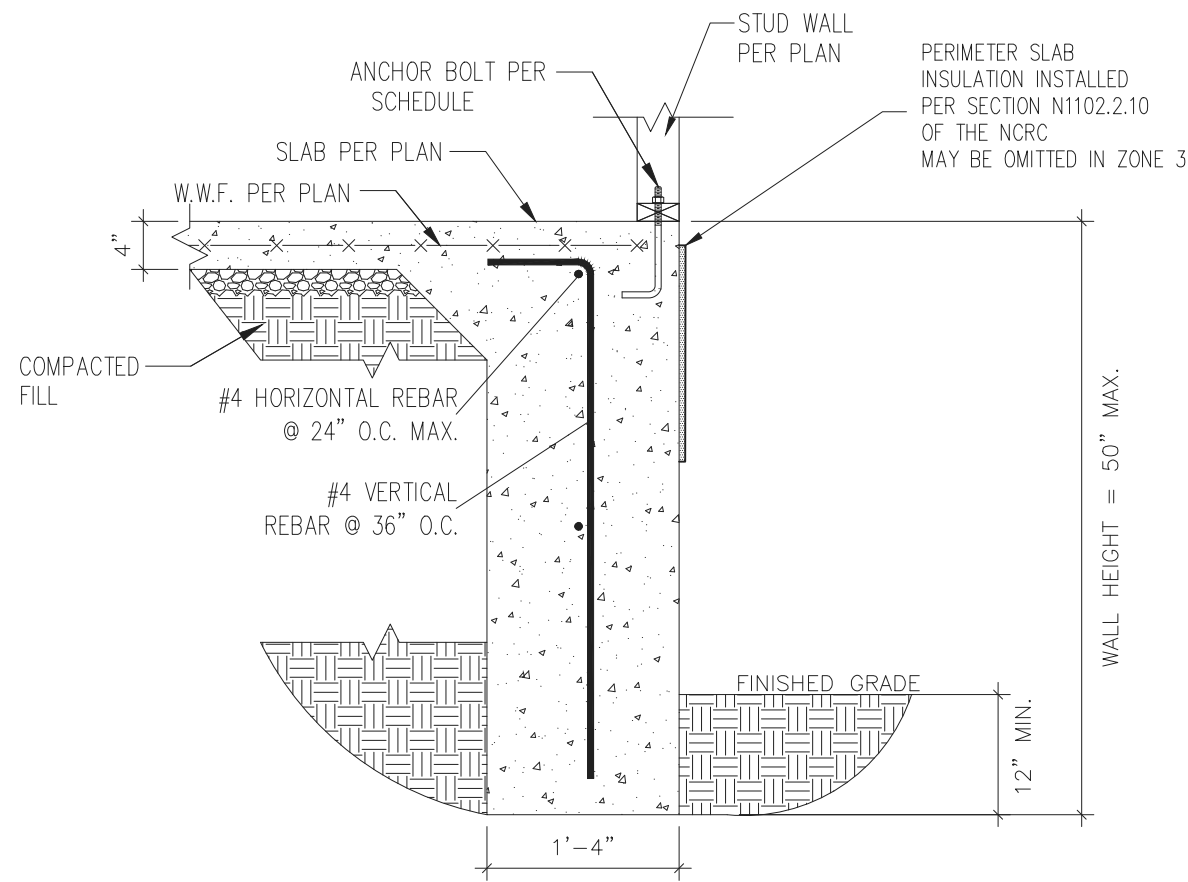
PROJECT
Standard Details
Stemwall Details
 CLIENT
 Smith Douglas Homes
 110 Village Trail, Suite 215
 Woodstock, GA 30188

CURRENT DRAWING
 DATE: 07/23/2024
 SCALE: NTS
 PROJECT #: A24117.01650.000
 DRAWN BY: MGC
 CHECKED BY: GWS

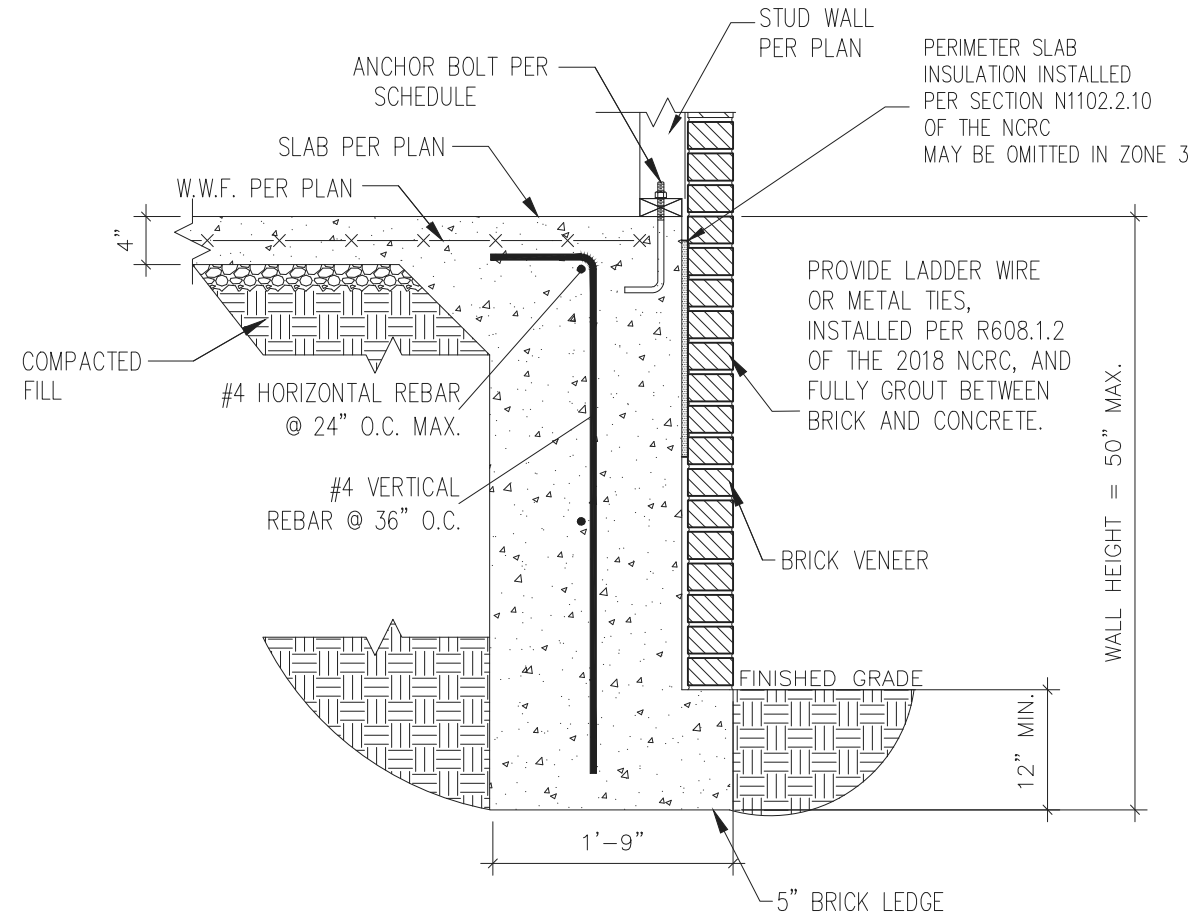
ORIGINAL DRAWING
 DATE PROJECT #
 7/23/2024 A24117.01650.000

REFER TO COVER SHEET FOR A COMPLETE LIST OF REVISIONS

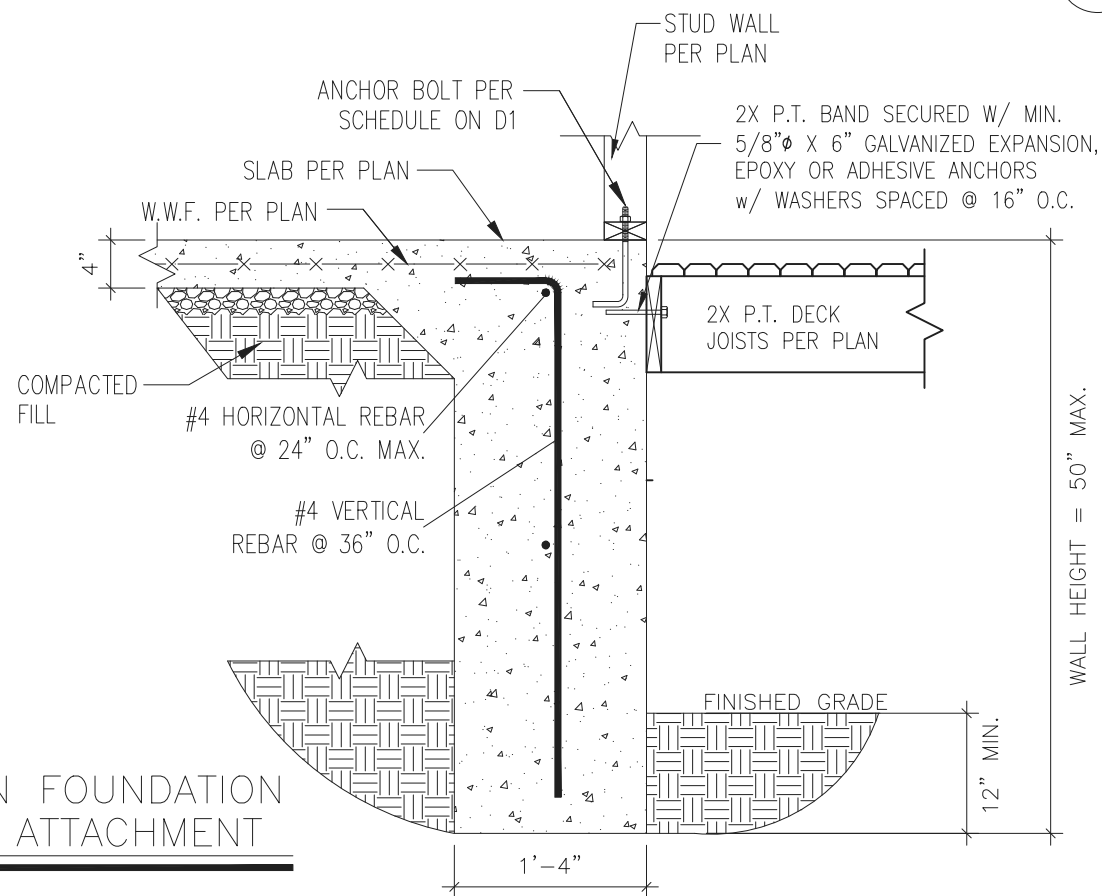
SHEET
D5s



1 TURNDOWN FOUNDATION
 D6s 3/4" = 1'-0"



2 TURNDOWN FOUNDATION W/ BRICK VENEER
 D6s 3/4" = 1'-0"



3 TURNDOWN FOUNDATION W/ DECK ATTACHMENT
 D6s 3/4" = 1'-0"

SEAL
 046048
 7/28/24
 ENGINEER
 B. C. PHILBRICK JR.
 STRUCTURAL MEMBERS ONLY



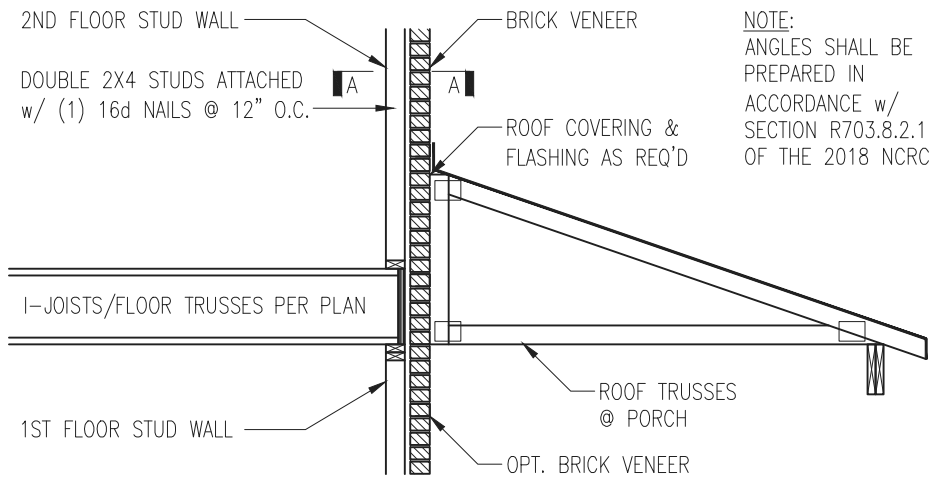
PROJECT
 Standard Details
 Stemwall Details
 CLIENT
 Smith Douglas Homes
 110 Village Trail, Suite 215
 Woodstock, GA 30188

CURRENT DRAWING
 DATE: 07/23/2024
 SCALE: NTS
 PROJECT #: A24117.01650.000
 DRAWN BY: MGC
 CHECKED BY: GWS

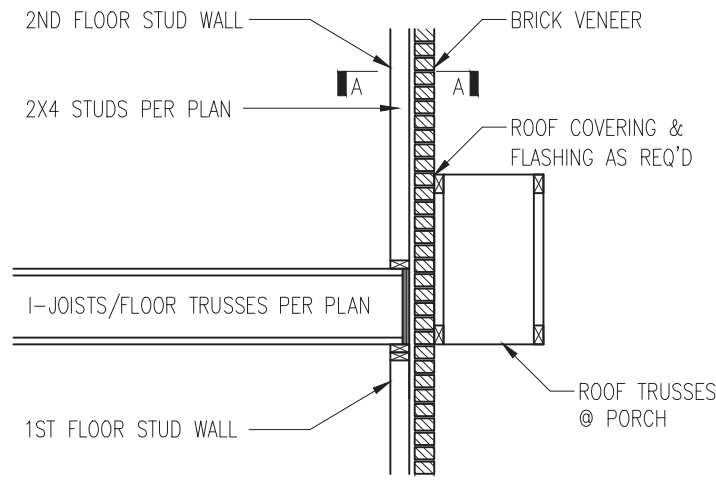
ORIGINAL DRAWING
 DATE PROJECT #
 7/23/2024 A24117.01650.000

REFER TO COVER SHEET FOR A COMPLETE LIST OF REVISIONS

SHEET
D6s



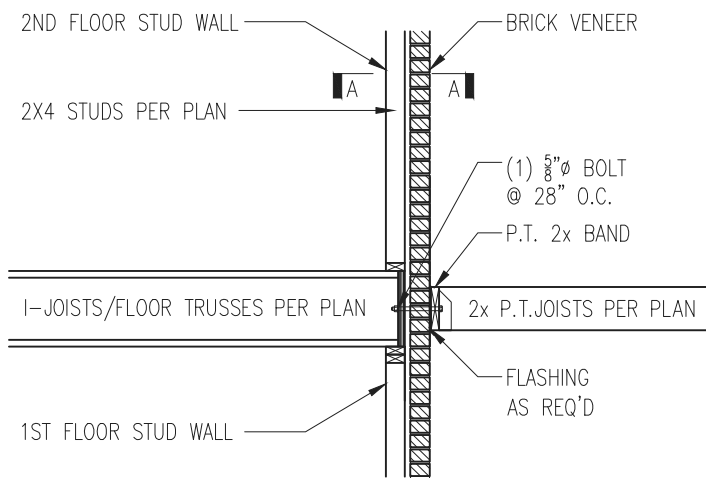
NOTE:
ANGLES SHALL BE PREPARED IN ACCORDANCE w/ SECTION R703.8.2.1 OF THE 2018 NCR



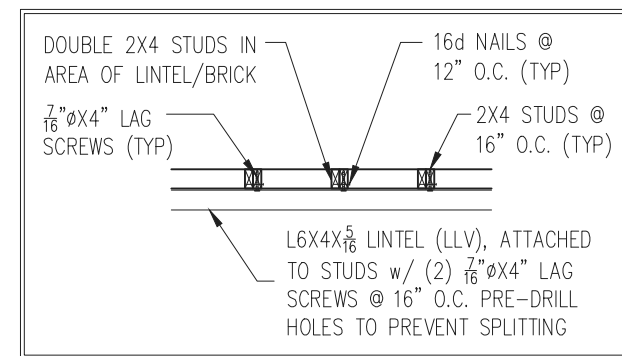
TRUSSES PERPENDICULAR TO STUD WALL

TRUSSES PARALLEL TO STUD WALL w/ CONTINUOUS BRICK VENEER

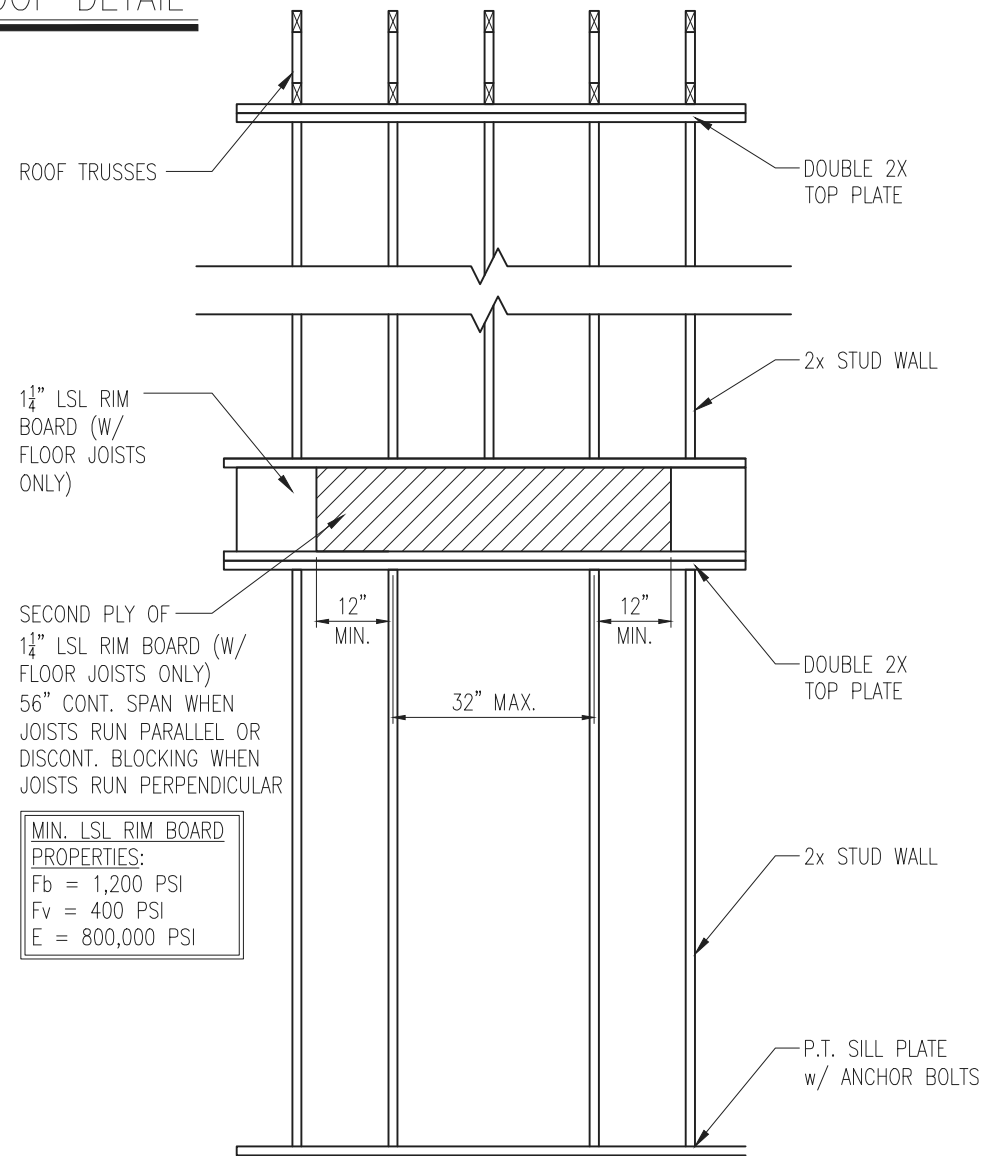
1 BRICK SUPPORT ABOVE STORAGE/PORCH ROOF DETAIL
D5f NTS



3 BALCONY JOIST ATTACHMENT
D5f NTS



SECTION A-A
NTS



SECOND PLY OF 1 1/4\"/>

MIN. LSL RIM BOARD PROPERTIES:	
F _b	= 1,200 PSI
F _v	= 400 PSI
E	= 800,000 PSI

4 TYP. RANGE VENT FRAMING
D5f VENTED TO EXTERIOR WALL



10121 Pineville Distribution St
Pineville, NC 28134
Office: 704.504.1717
Fax: 704.504.1125
www.leafumes.com



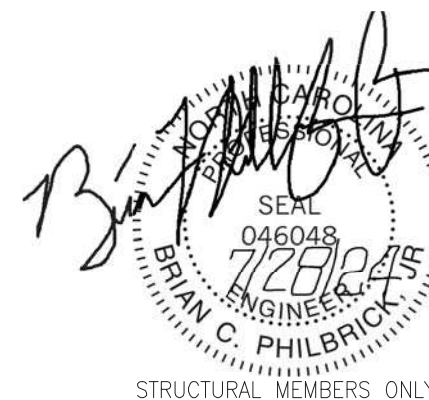
PROJECT Standard Details
Framing Details
CLIENT Smith Douglas Homes
110 Village Trail, Suite 215
Woodstock, GA 30188

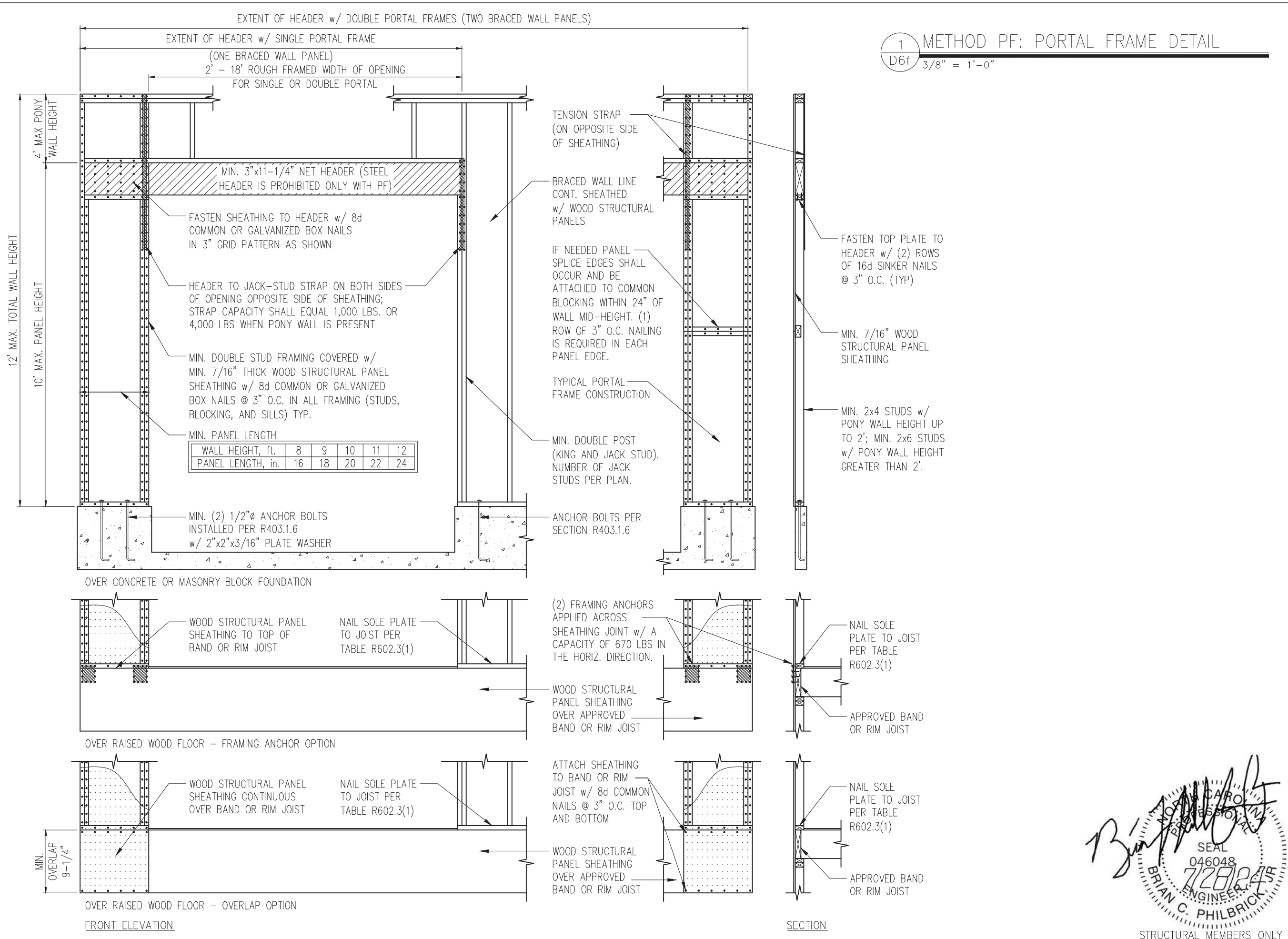
CURRENT DRAWING
DATE: 07/23/2024
SCALE: NTS
PROJECT #: A24117.01650.000
DRAWN BY: MGC
CHECKED BY: GWS

ORIGINAL DRAWING
DATE PROJECT #
7/23/2024 A24117.01650.000

REFER TO COVER SHEET FOR A COMPLETE LIST OF REVISIONS

SHEET
D5f





UES
UES PROFESSIONAL SOLUTIONS 29, INC.
FORMERLY SUMMIT ENGINEERING, LABORATORY, & TESTING, INC.
10121 Pineville Distribution St
Pineville, NC 28134
Office: 704.504.1717
Fax: 704.504.1125
www.learmes.com



PROJECT
Standard Details
Framing Details - Bracing
CLIENT
Smith Douglas Homes
110 Village Trail, Suite 215
Woodstock, GA 30188

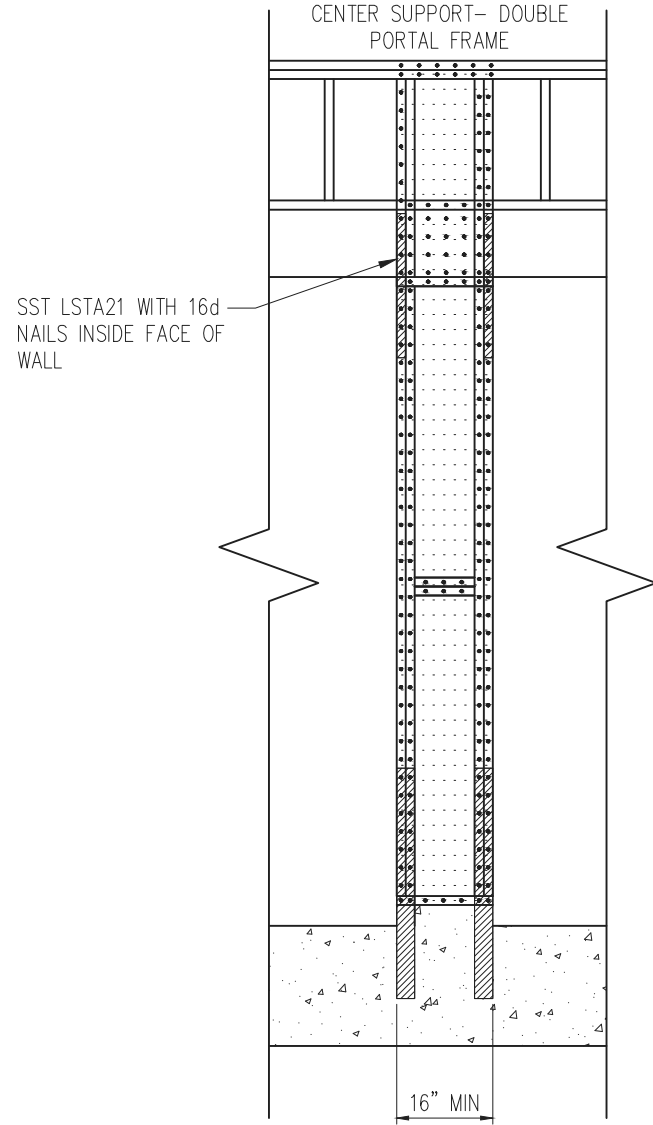
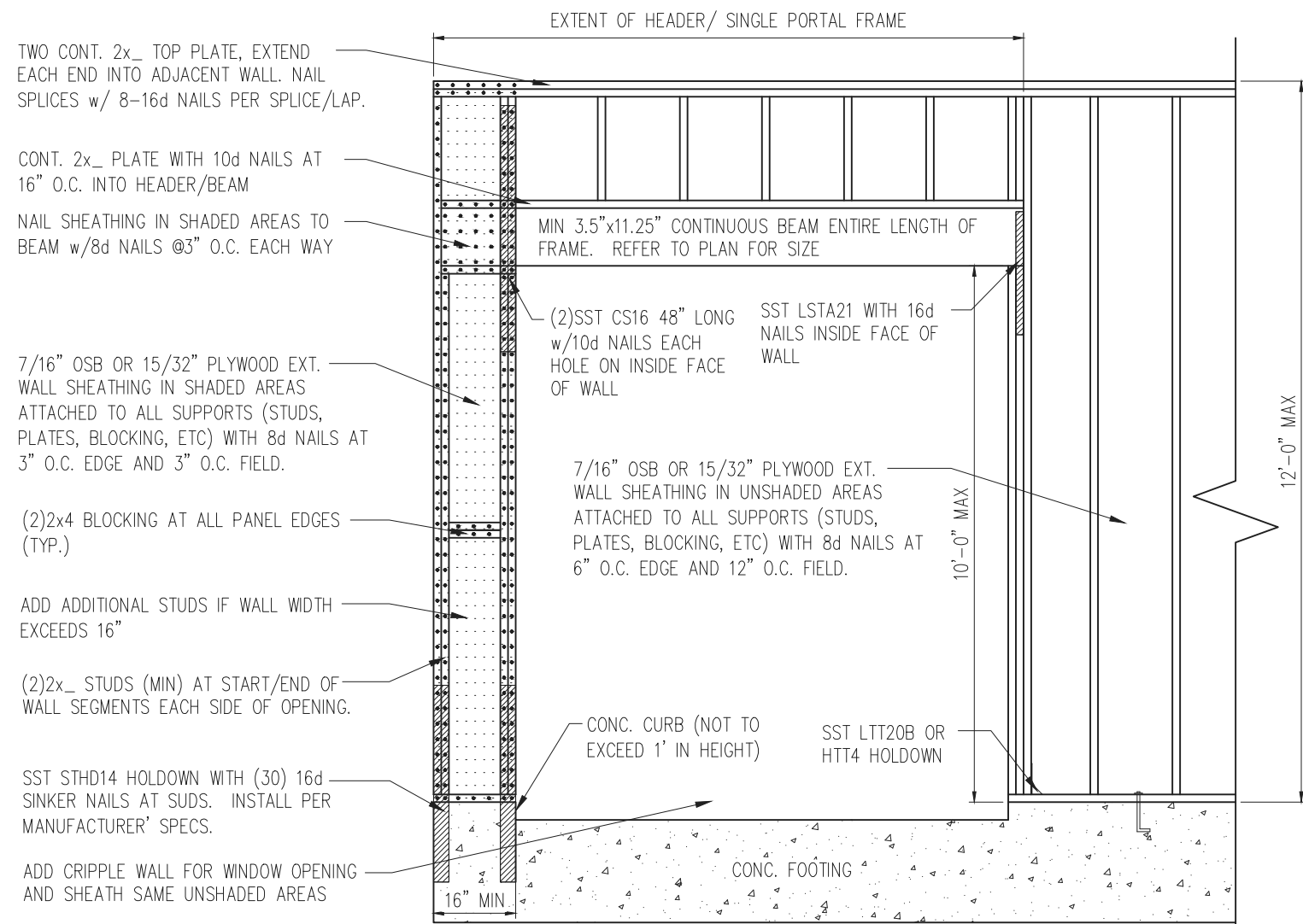
CURRENT DRAWING
DATE: 07/23/2024
SCALE: NTS
PROJECT #: A24117.01650.000
DRAWN BY: MGC
CHECKED BY: GWS

ORIGINAL DRAWING
DATE PROJECT #
7/23/2024 A24117.01650.000

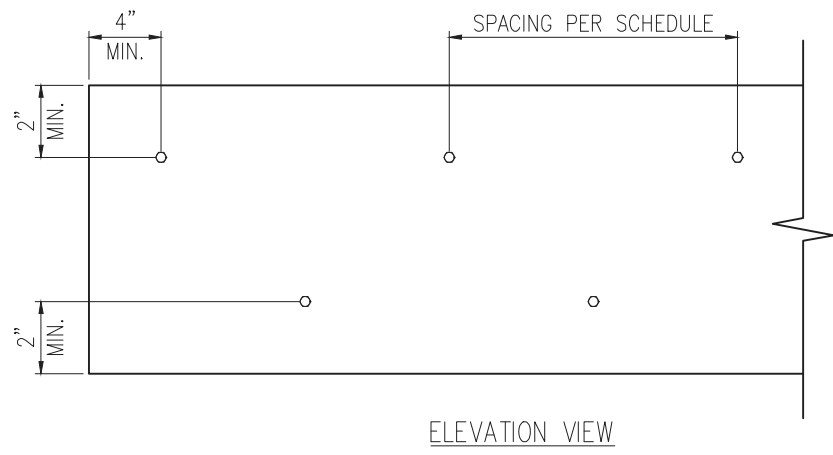
REFER TO COVER SHEET FOR A COMPLETE LIST OF REVISIONS

SEAL
046048
7/28/24
BRIAN C. PHILBRICK
ENGINEER
STRUCTURAL MEMBERS ONLY

SHEET
D6f



1 METHOD PF: PORTAL FRAME DETAIL w/ HOLD-DOWNS
 D7f 3/4" = 1'-0"



2 MULTI-PLY BEAM CONNECTION DETAIL
 D7f N.T.S



STRUCTURAL MEMBERS ONLY



10121 Pineville Distribution St
 Pineville, NC 28134
 Office: 704.504.1717
 Fax: 704.504.1125
 www.teamues.com



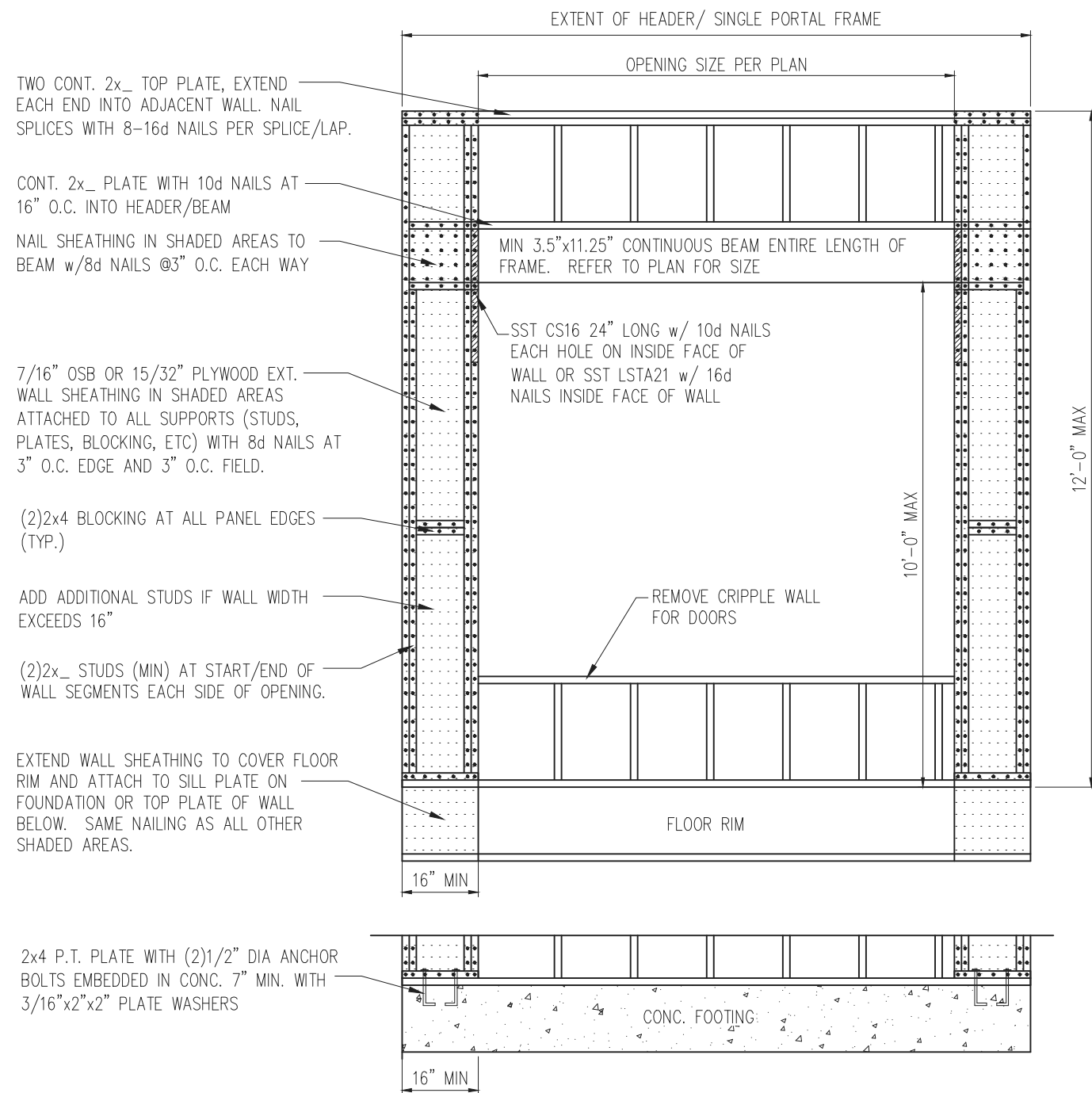
PROJECT
 Standard Details
 Framing Details - Bracing
 CLIENT
 Smith Douglas Homes
 110 Village Trail, Suite 215
 Woodstock, GA 30188

CURRENT DRAWING
 DATE: 07/23/2024
 SCALE: NTS
 PROJECT #: A24117.01650.000
 DRAWN BY: MGC
 CHECKED BY: GWS

ORIGINAL DRAWING
 DATE PROJECT #
 7/23/2024 A24117.01650.000

REFER TO COVER SHEET FOR A COMPLETE LIST OF REVISIONS

SHEET
 D7f



TWO CONT. 2x_ TOP PLATE, EXTEND EACH END INTO ADJACENT WALL. NAIL SPLICES WITH 8-16d NAILS PER SPLICE/LAP.

CONT. 2x_ PLATE WITH 10d NAILS AT 16" O.C. INTO HEADER/BREAM

NAIL SHEATHING IN SHADED AREAS TO BEAM w/8d NAILS @3" O.C. EACH WAY

7/16" OSB OR 15/32" PLYWOOD EXT. WALL SHEATHING IN SHADED AREAS ATTACHED TO ALL SUPPORTS (STUDS, PLATES, BLOCKING, ETC) WITH 8d NAILS AT 3" O.C. EDGE AND 3" O.C. FIELD.

(2)2x4 BLOCKING AT ALL PANEL EDGES (TYP.)

ADD ADDITIONAL STUDS IF WALL WIDTH EXCEEDS 16"

(2)2x_ STUDS (MIN) AT START/END OF WALL SEGMENTS EACH SIDE OF OPENING.

EXTEND WALL SHEATHING TO COVER FLOOR RIM AND ATTACH TO SILL PLATE ON FOUNDATION OR TOP PLATE OF WALL BELOW. SAME NAILING AS ALL OTHER SHADED AREAS.

2x4 P.T. PLATE WITH (2)1/2" DIA ANCHOR BOLTS EMBEDDED IN CONC. 7" MIN. WITH 3/16"x2"x2" PLATE WASHERS

2x_ BLOCKING BETWEEN ROOF TRUSSES ALONG LENGTH OF BRACED WALL PANELS. LAP SHEATHING 2" MIN.

NAIL SHEATHING TO BLOCKING AND TRUSS WEB WITH 8d NAILS @6" O.C. (TYP.)

2x4 BLOCKING BETWEEN ROOF TRUSSES ATTACHED TO TOP PLATES WITH 8d NAILS @6" O.C. ALONG LENGTH OF BRACED WALL PANELS

*BLOCKING IS NOT REQUIRED WITH HEEL HEIGHTS LESS THAN 9.25"

HEEL HEIGHT GREATER THAN 15.25"

HEEL HEIGHT LESS THAN 15.25" *

2 TYP. WALL PANEL TO ROOF TRUSS CONNECTION
D8f 1" = 1'-0"

1 METHOD PF: PORTAL FRAME DETAIL
D8f 3/4" = 1'-0" OPENINGS UNDER 8'-0"



PROJECT
Standard Details
Framing Details - Bracing
CLIENT
Smith Douglas Homes
110 Village Trail, Suite 215
Woodstock, GA 30188

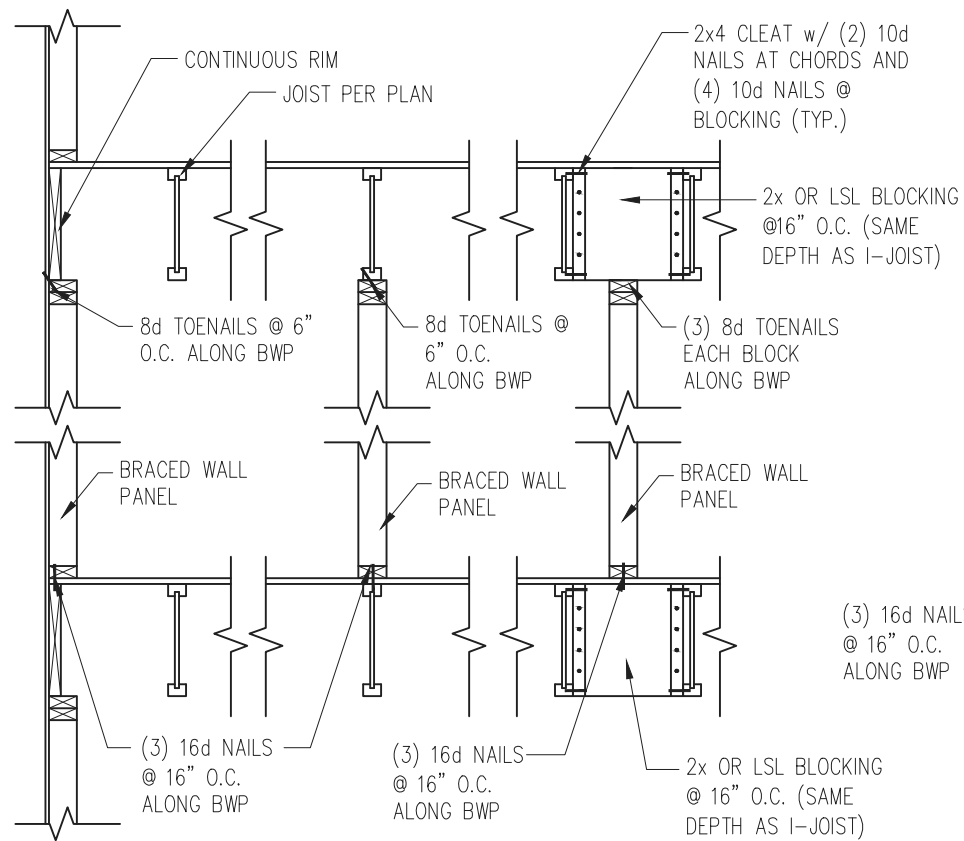
CURRENT DRAWING
DATE: 07/23/2024
SCALE: NTS
PROJECT #: A24117.01650.000
DRAWN BY: MGC
CHECKED BY: GWS

ORIGINAL DRAWING
DATE PROJECT #
7/23/2024 A24117.01650.000

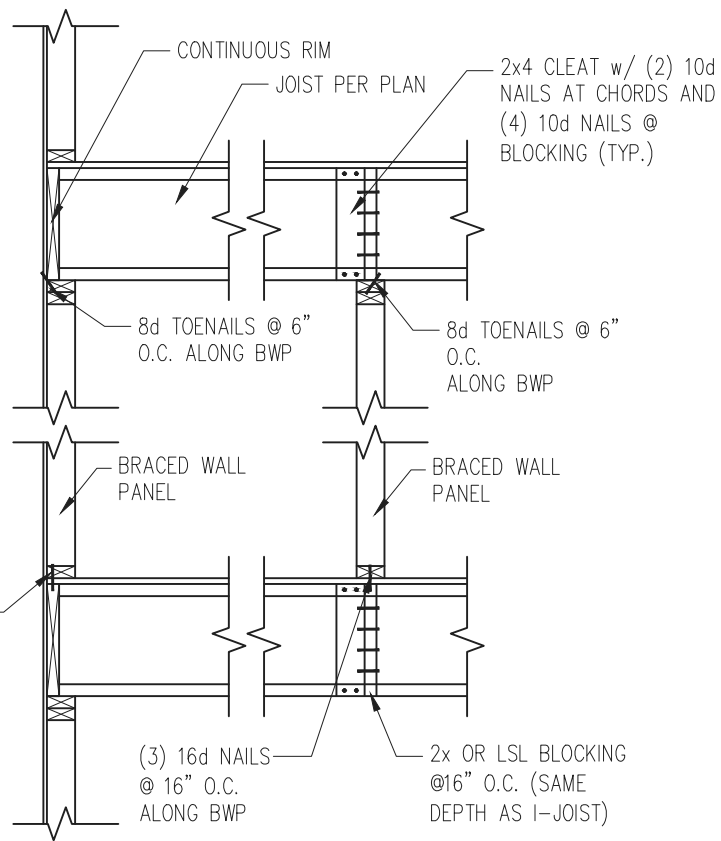
REFER TO COVER SHEET FOR A COMPLETE LIST OF REVISIONS



STRUCTURAL MEMBERS ONLY

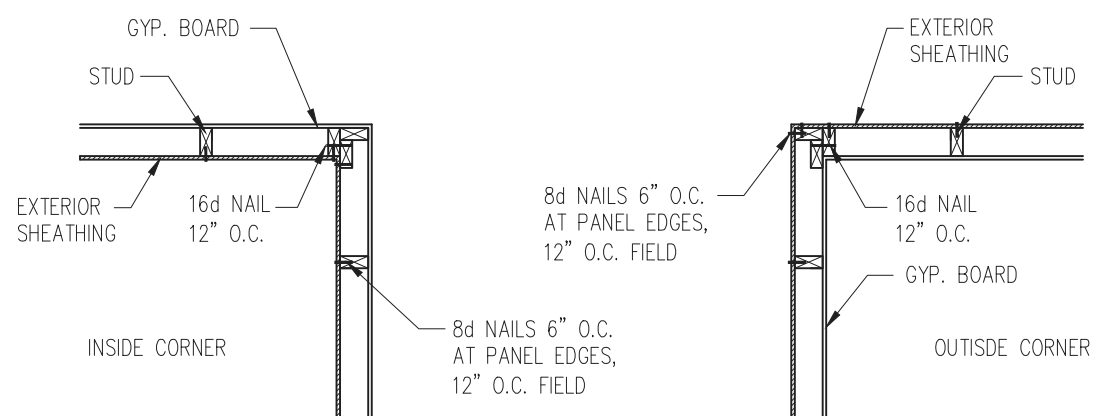


JOISTS PARALLEL TO BRACED WALLS

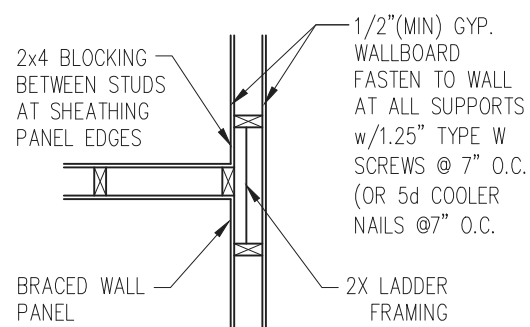


JOISTS PERPENDICULAR TO BRACED WALLS

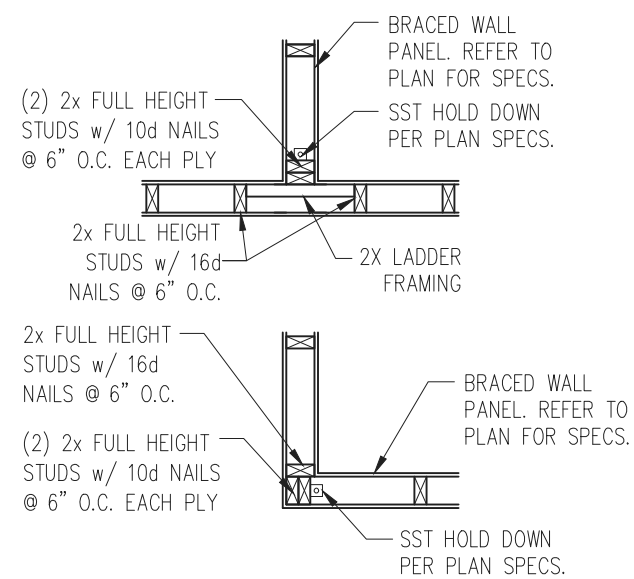
1 TYP. WALL PANEL TO FLOOR/CEILING CONNECTION
D9f 1" = 1'-0"



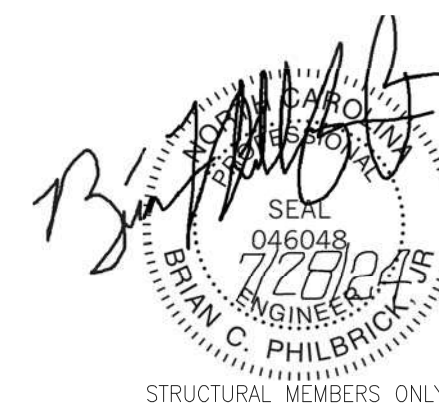
2 TYP. EXTERIOR CORNER FRAMING
D9f 1" = 1'-0"



3 INTERIOR 3-STUD WALL INTERSECTION
D9f 1" = 1'-0"



4 TYP. HOLD DOWN DETAIL
D9f 1" = 1'-0"



STRUCTURAL MEMBERS ONLY



10121 Pineville Distribution St
Pineville, NC 28134
Office: 704.504.1717
Fax: 704.504.1125
www.teamues.com



PROJECT
Standard Details
Framing Details - Bracing
CLIENT
Smith Douglas Homes
110 Village Trail, Suite 215
Woodstock, GA 30188

CURRENT DRAWING
DATE: 07/23/2024
SCALE: NTS
PROJECT #: A24117.01650.000
DRAWN BY: MGC
CHECKED BY: GWS

ORIGINAL DRAWING
DATE PROJECT #
7/23/2024 A24117.01650.000

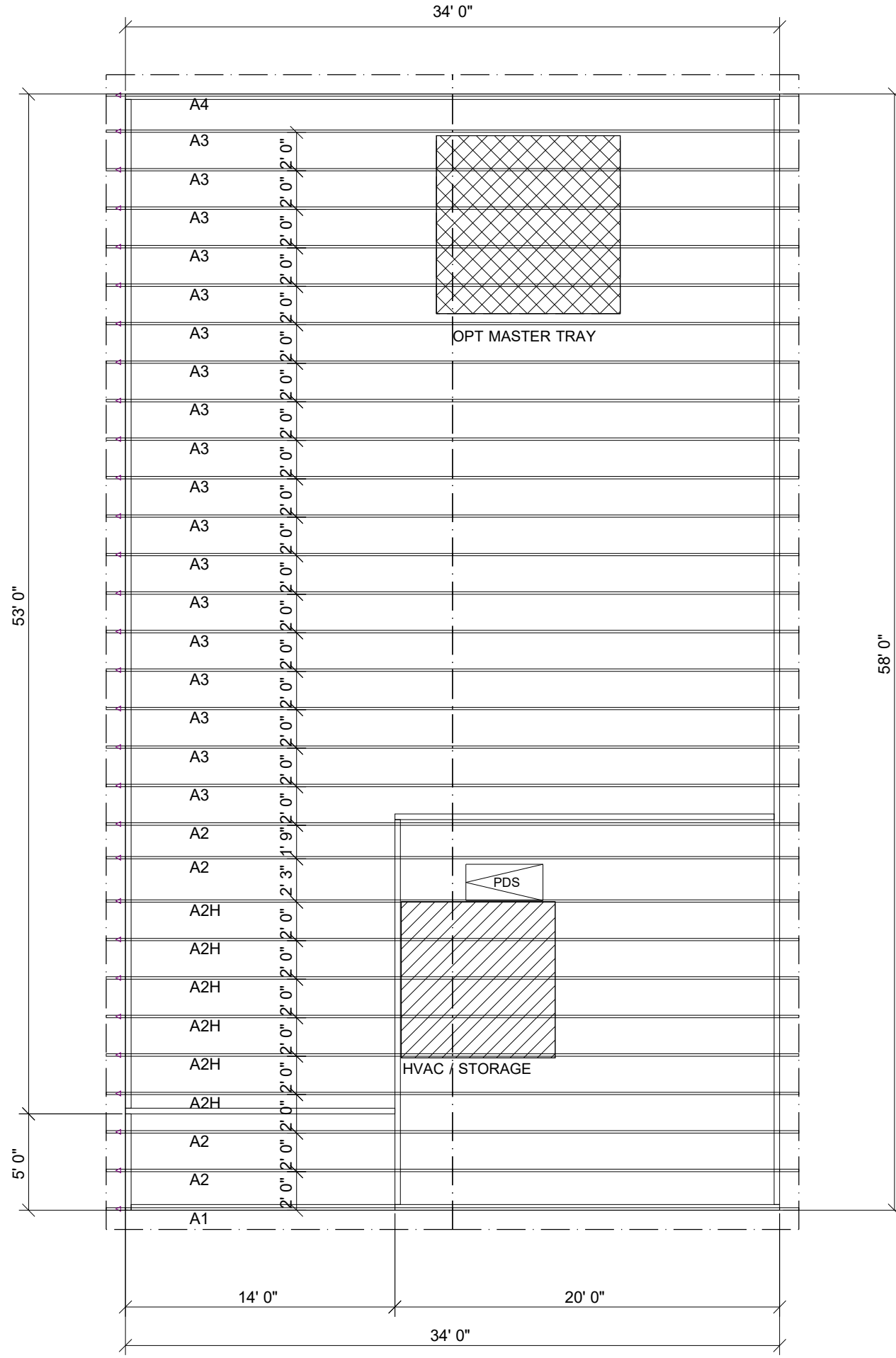
REFER TO COVER SHEET FOR A COMPLETE LIST OF REVISIONS

SHEET

D9f

TRUSS TO WALL CONNECTIONS, IF SHOWN, ARE FOR UPLIFT ONLY AND DO NOT CONSIDER LATERAL LOADS. ALL CONNECTORS ON THIS PROJECT ARE TO BE INSTALLED PER THE CONNECTOR MANUFACTURER'S SPECIFICATIONS. ALL CONNECTORS SHOWN THAT ARE NOT "TRUSS TO TRUSS" ARE SUGGESTIONS ONLY AND ARE TO BE VERIFIED BY THE BUILDING DESIGNER OR ENGINEER OF RECORD FOR SUITABILITY TO THIS PARTICULAR PROJECT. UFP MID-ATLANTIC, LLC, ACCEPTS NO RESPONSIBILITY FOR THE SPECIFIC APPLICATION OR SUITABILITY OF ANY CONNECTOR THAT IS NOT "TRUSS TO TRUSS" AS THEY APPLY TO THIS SPECIFIC STRUCTURE.

72438800 9 CEDAR POINTE



Hatch Legend	
	OPT MASTER TRAY
	HVAC / STORAGE

PIEDMONT BEH

ROOF AREA: 2571.31 ft² RIDGE LINE: 60 ft VALLEY LINES: 0 HIP LINES: 0 Indicates Left End of Truss

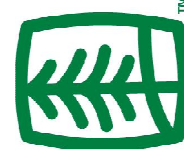
Customer
SMITH DOUGLAS

Job Name
PIEDMONT BEH

Date: 12-7-20
Scale: NTS
Revision Date 1:
Revision Date 2:

Quality Products for Quality Builders

Drawn By: AS
Checked By: ***
Drawing Number
MASTER



UFP MID-ATLANTIC, LLC
A UFP INDUSTRIES COMPANY

BURLINGTON, NC	PHONE (800) 476-9356
CHESAPEAKE, VA	PHONE (800) 476-3190
CLINTON, NC	PHONE (910) 590-3220
CONWAY, SC	PHONE (800) 397-9572
JEFFERSON, GA	PHONE (800) 648-4038
LOCUST, NC	PHONE (704) 888-0920
LIBERTY, NC	PHONE (800) 648-4038
DOONOHUE, TN	PHONE (644) 497-0056
PEARISBURG, VA	PHONE (800) 397-9571

NOTES: THIS DRAWING IS THE PROPERTY OF UFP MID-ATLANTIC, LLC AND IS NOT TO BE USED FOR ANY PURPOSE DETRIMENTAL TO THE INTEREST OF UFP MID-ATLANTIC, LLC. THIS DRAWING MUST BE USED IN CONJUNCTION WITH ALL OTHER TECHNICAL DRAWINGS SUPPLIED BY UFP MID-ATLANTIC, LLC AND "BRACING WOOD TRUSS COMMENTARY AND RECOMMENDATIONS" AS PUBLISHED BY THE TRUSS PLATE INSTITUTE FOR INDUSTRY STANDARDS IN ERECTING TRUSSES. (TFI) IS LOCATED AT 583 D'ONOFRIO DR. SUITE 200 MADISON, WI 53719 (608) 833-5900

1. TEMPORARY BRACING TO BE INSTALLED w/T.P.I. STANDARD BCS-B1.
2. SEE ENGINEERED DRAWING FOR PERMANENT BRACING MINIMUM REQUIREMENTS.
3. FRAMER TO VERIFY ALL DIMENSIONS, DROP, & RISE LOCATIONS PRIOR TO TRUSS PLACEMENT.
4. BLDRFRAMER RESPONSIBLE FOR ADJUSTMENT OF TRUSS SPACING TO MISS PLUMBING DROPS, UNLESS NOTED OTHERWISE.
5. THIS LAYOUT IS NOT AN ENGINEERED DRAWING. THIS DRAWING WAS CREATED TO ESTABLISH TRUSS PLACEMENT ONLY. IT IS THE RESPONSIBILITY OF THE BUILDER TO PROVIDE ADEQUATE SUPPORT FOR ALL THE ELEMENTS SHOWN IN THIS DRAWING.