

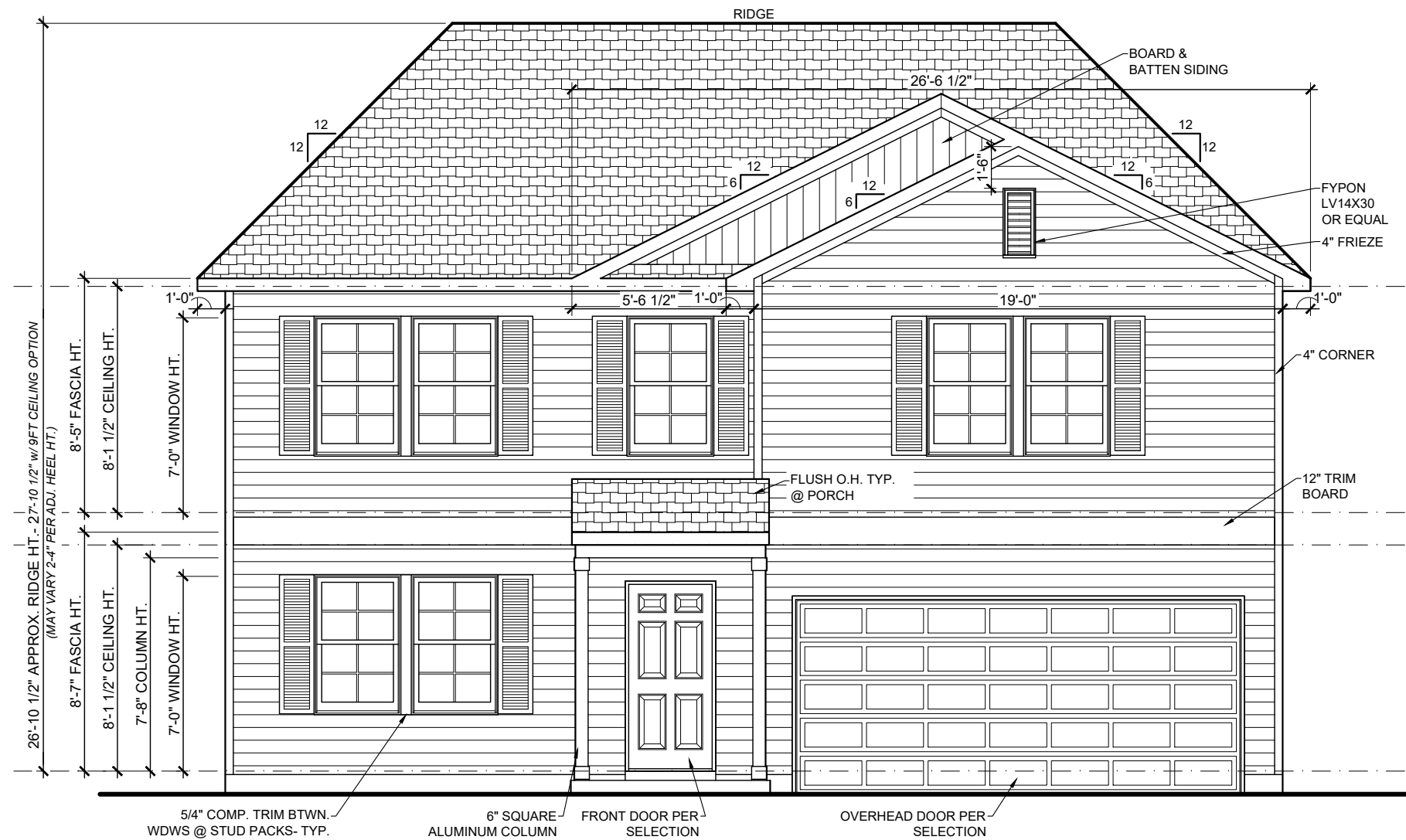
A Square Footages:

1st Floor	1222
2nd Floor	1549
Garage	374
Front Porch	28
Covered Porch Option	160
3rd Car Garage Option	220

2771

14 LDP

Telfair A
Genesis Series
V.04.02.00.00



FRONT ELEVATION
3/16" = 1'-0"

~~SEE SHEET AA-1 FOR STONE & BRICK WATER TABLE OPTIONS~~

- 9FT CEILING OPTION NOTES:**
1. Fascia heights from 1st Flr of main house increase 12in. Fascia heights from 2nd Flr of main house remain the same.
 2. Fascia/beam/column heights at Front and Rear Porches remain the same.
 3. Roof pitch at porch may change. Follow notes at elevations.
 4. Window heights and sizes remain the same.

LISTS OF DRAWINGS			
A1 Base Front Elevation	A2 Base Side & Rear Elevations	B1 First Floor Plan	E1 First Floor Electrical
A1b Front w/ 3rd Car Garage Opt.	A2b Elevations w/ 3rd Car Garage Opt.	B2 Second Floor Plan	E2 Second Floor Electrical
AA-1 Front w/ Brick/Stone Opt.	A3 Elevations w/ Covered Porch Opt.	B3 Plan Options/Details	E3 Plan Options Electrical
	A-R1 Roof Plan	B4 Foundation Information Sheet	
		B5 3rd Car Garage Option	

Features:
Rev By: cja,atw
jsc,EB
Drawn By: pla
Date: 9/6/2024

A1

9FT CEILING OPTION NOTES:

1. Fascia heights from 1st Flr of main house increase 12in.
Fascia heights from 2nd Flr of main house remain the same.
2. Fascia/beam/column heights at Front and Rear Porches remain the same.
3. Roof pitch at porch may change. Follow notes at elevations.
4. Window heights and sizes remain the same.



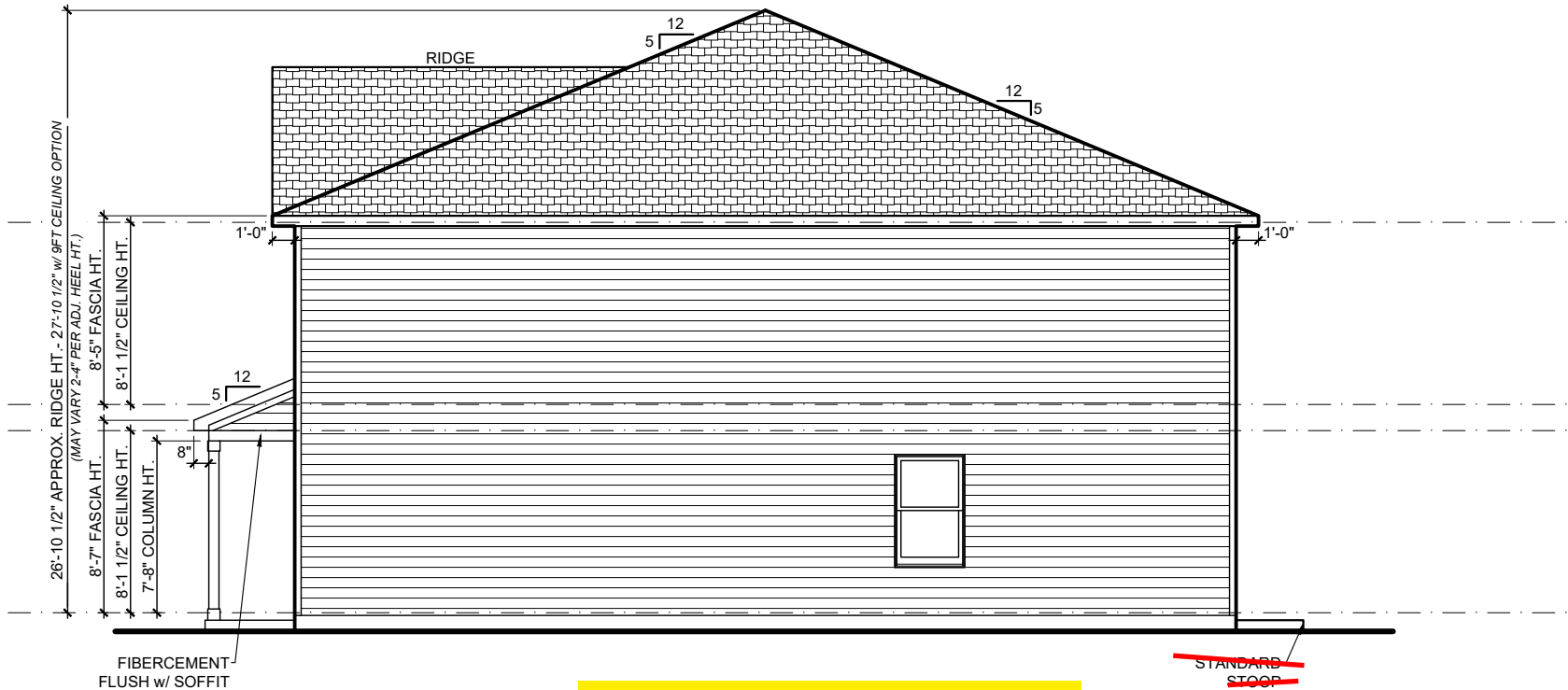
A Square Footages:

1st Floor.....	1222
2nd Floor.....	1549
Garage.....	374
Front Porch.....	28
Covered Porch Optional.....	120
3rd Car Garage Option.....	220

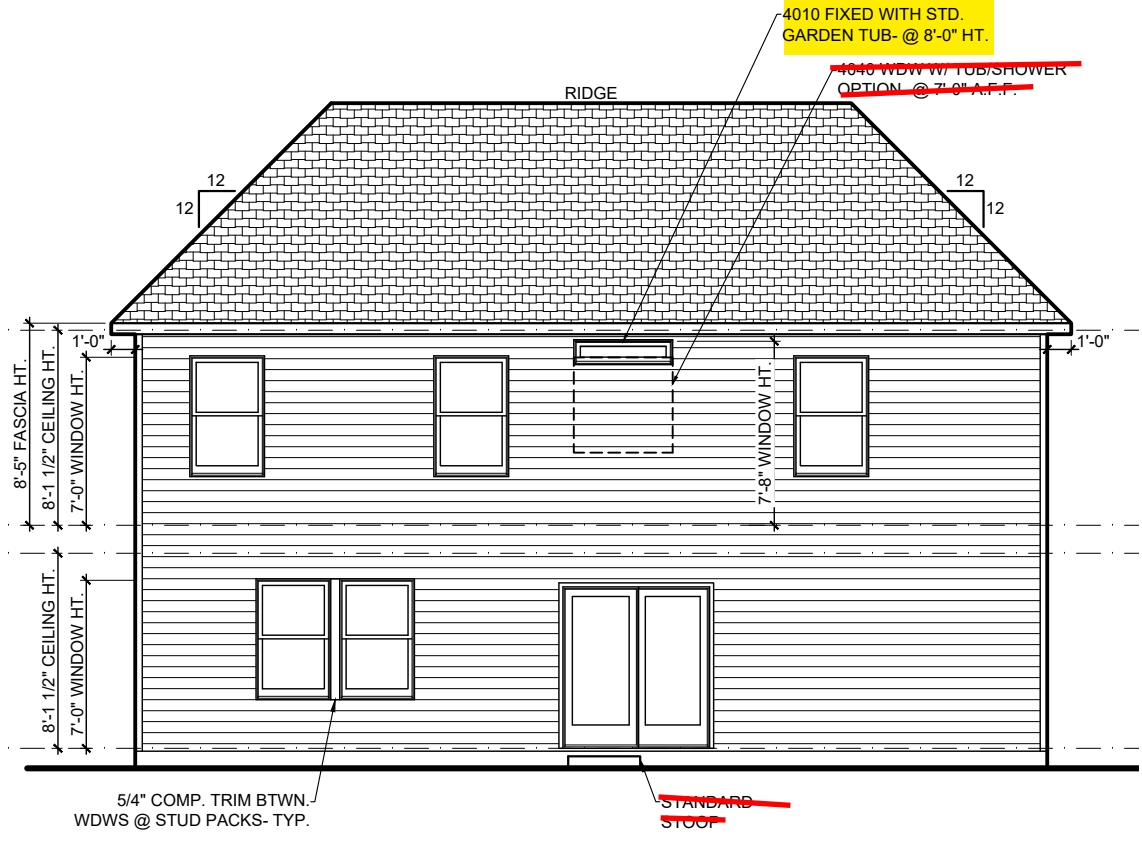
Telfair A
Genesis Series
v.04.02.00.00

Features:
Drawn By: pla
Date: 9/6/2024
Rev By: cja,atw
jsc,EB

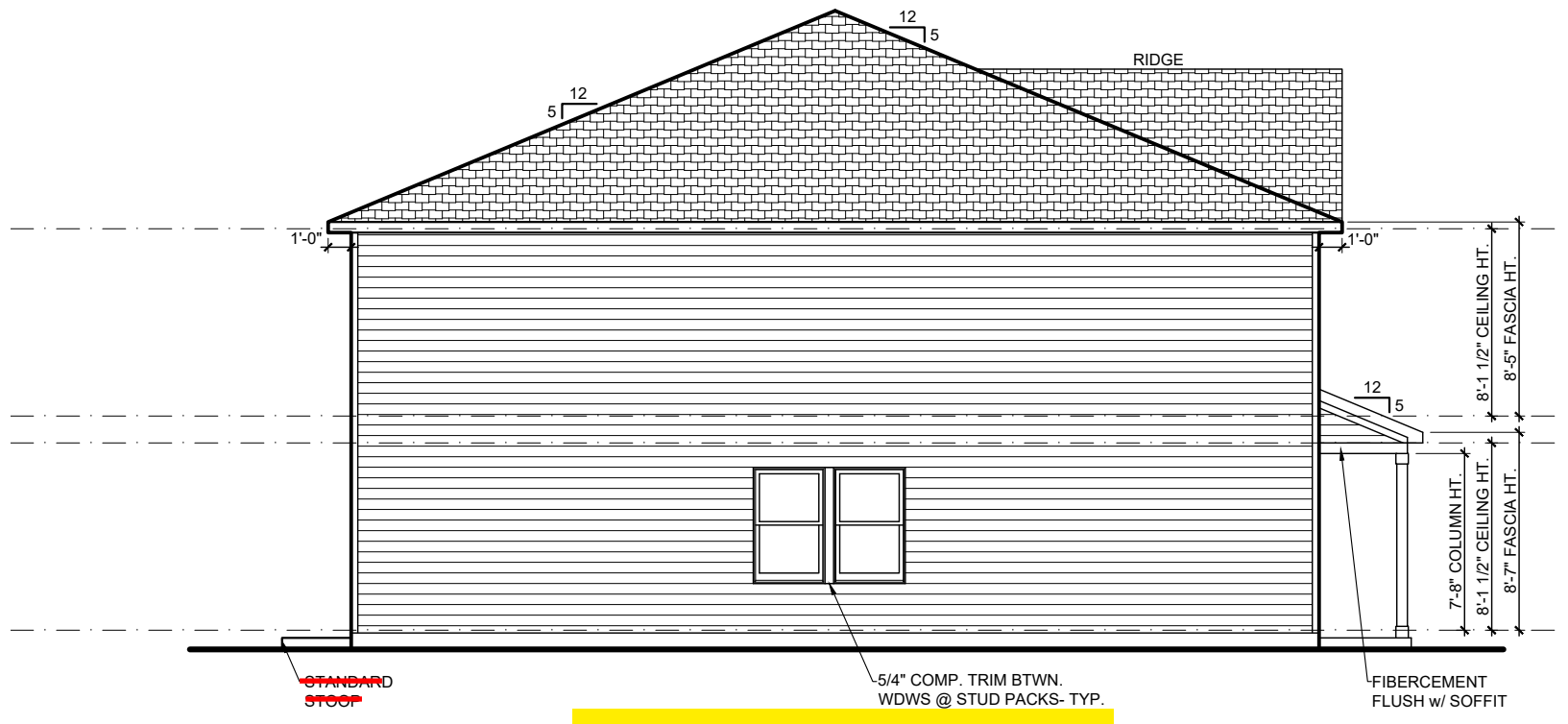
A2



RIGHT ELEVATION
1/8" = 1'-0"



REAR ELEVATION
1/8" = 1'-0"



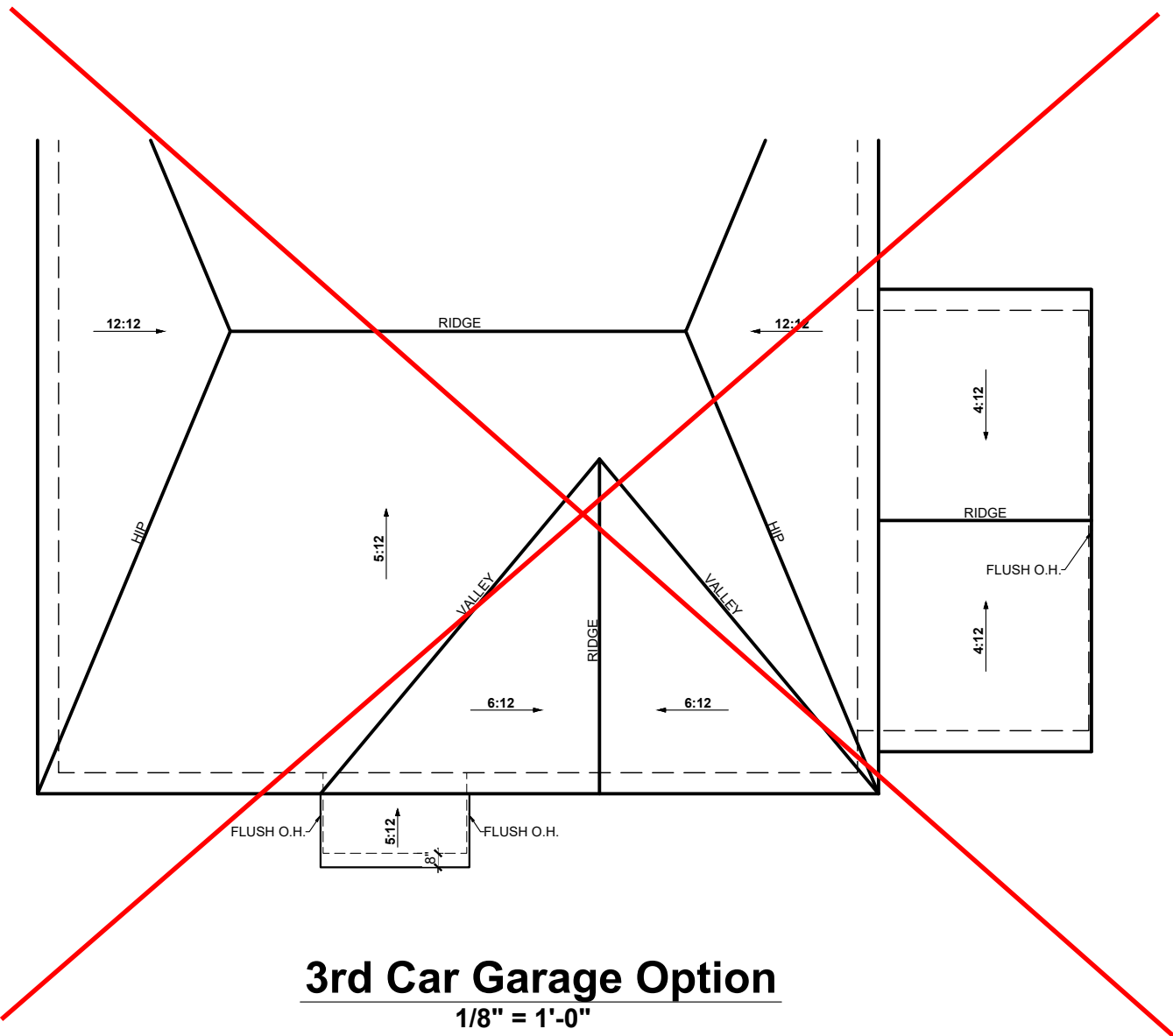
LEFT ELEVATION
1/8" = 1'-0"



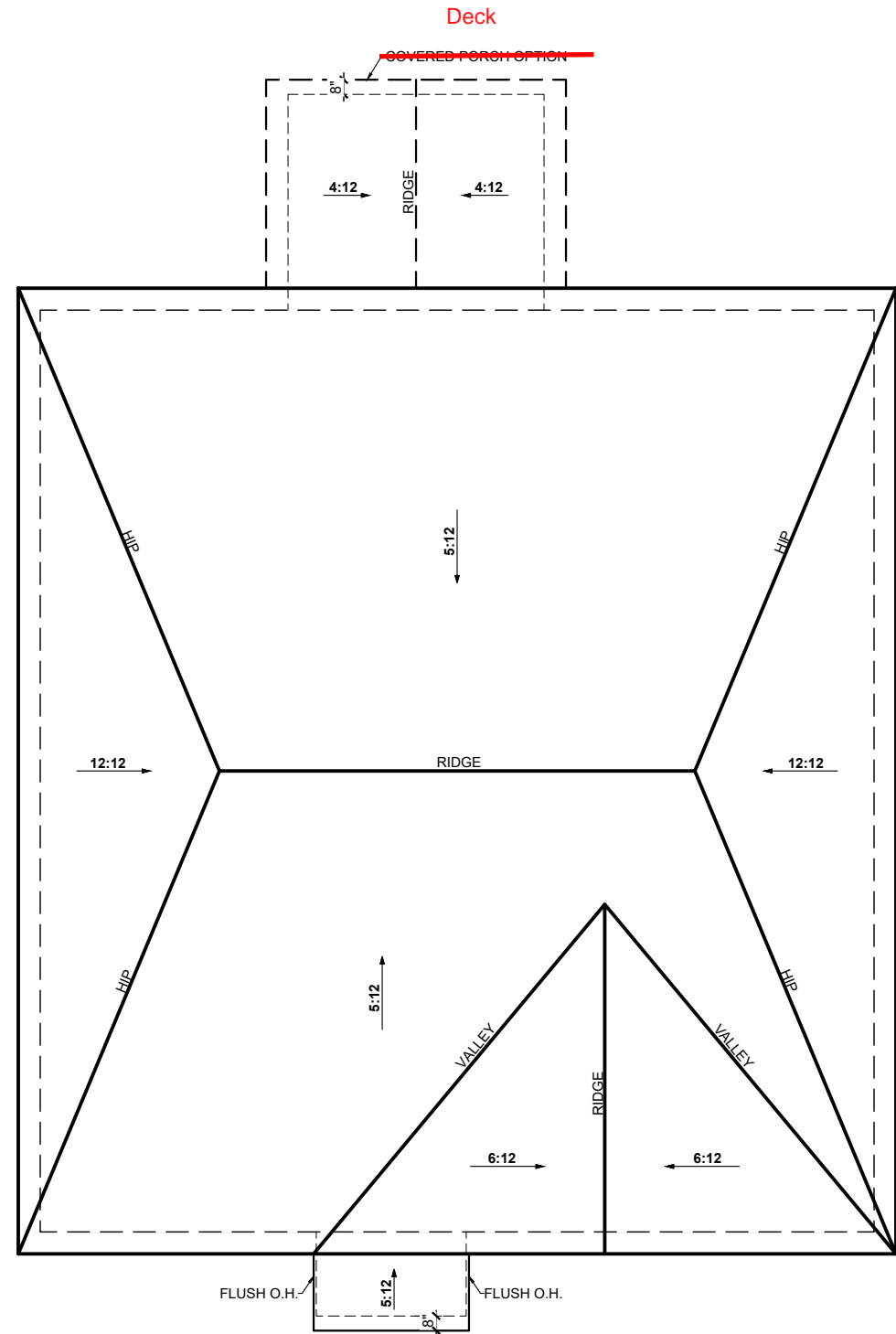
- NOTES:**
1. ALL OVERHANGS ARE 1'-0" U.N.O.
 2. ROOF PLANS *DO NOT* INCLUDE FULL BRICK OPTIONS.
 3. ROOF PLANS ARE NOT INTENDED FOR CONSTRUCTION USE. (INFORMATIONAL USE ONLY)
 4. BE SURE TO CHECK OVERHANG INFORMATION AT PLAN WHEN CALCULATING SOFFIT INTAKE

A Square Footages:

1st Floor.....	1222
2nd Floor.....	1549
Garage.....	374
Front Porch.....	28
Covered Porch Optional.....	120
3rd Car Garage Option.....	220



3rd Car Garage Option
1/8" = 1'-0"



ROOF PLAN
1/8" = 1'-0"

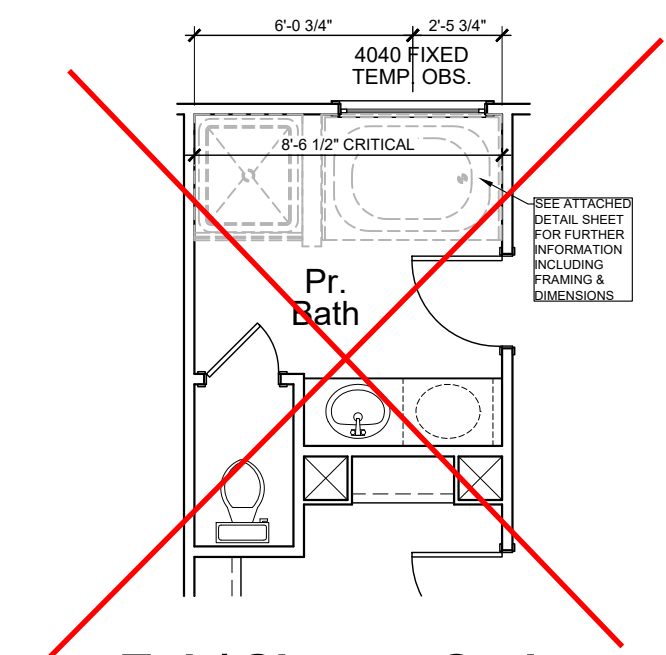
ROOF INFORMATION SUMMARY

MAIN ROOF-	
Base House:	
Attic Square Footage.....	1596 sf
Flat Soffit.....	134 lf
Ridge.....	34 lf
AREA(S) NOT AFFECTING MAIN ROOF-	
Front Porch:	
Attic Square Footage.....	26 sf
Flat Soffit.....	6 lf
Roof to Wall Ridge.....	6 lf
Rear Covered Porch Option:	
Attic Square Footage.....	115 sf
Flat Soffit.....	20 lf
Ridge.....	9 lf
3rd Car Garage Option :	
Attic Square Footage.....	220 sf
Flat Soffit.....	22 lf
Ridge.....	10 lf

Telfair A
Genesis Series
v.04.02.00.00

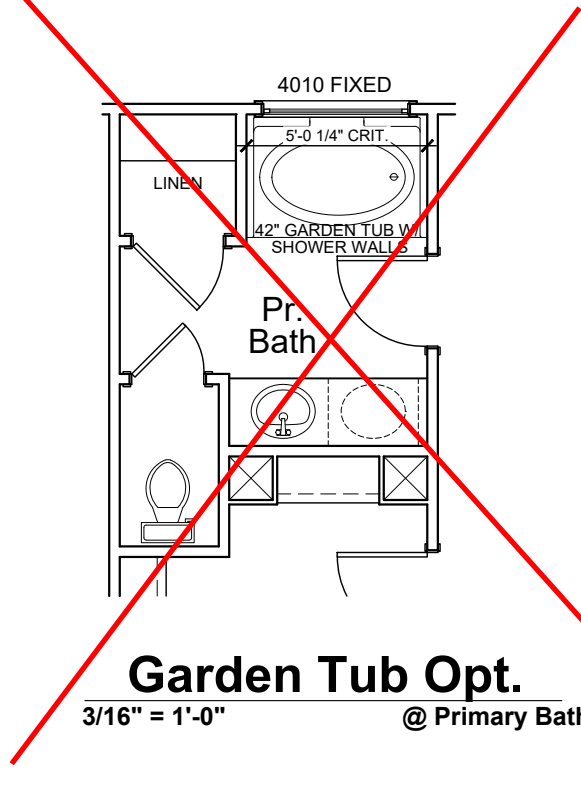
Features:
Drawn By: pla
Date: 9/6/2024

A-R 1



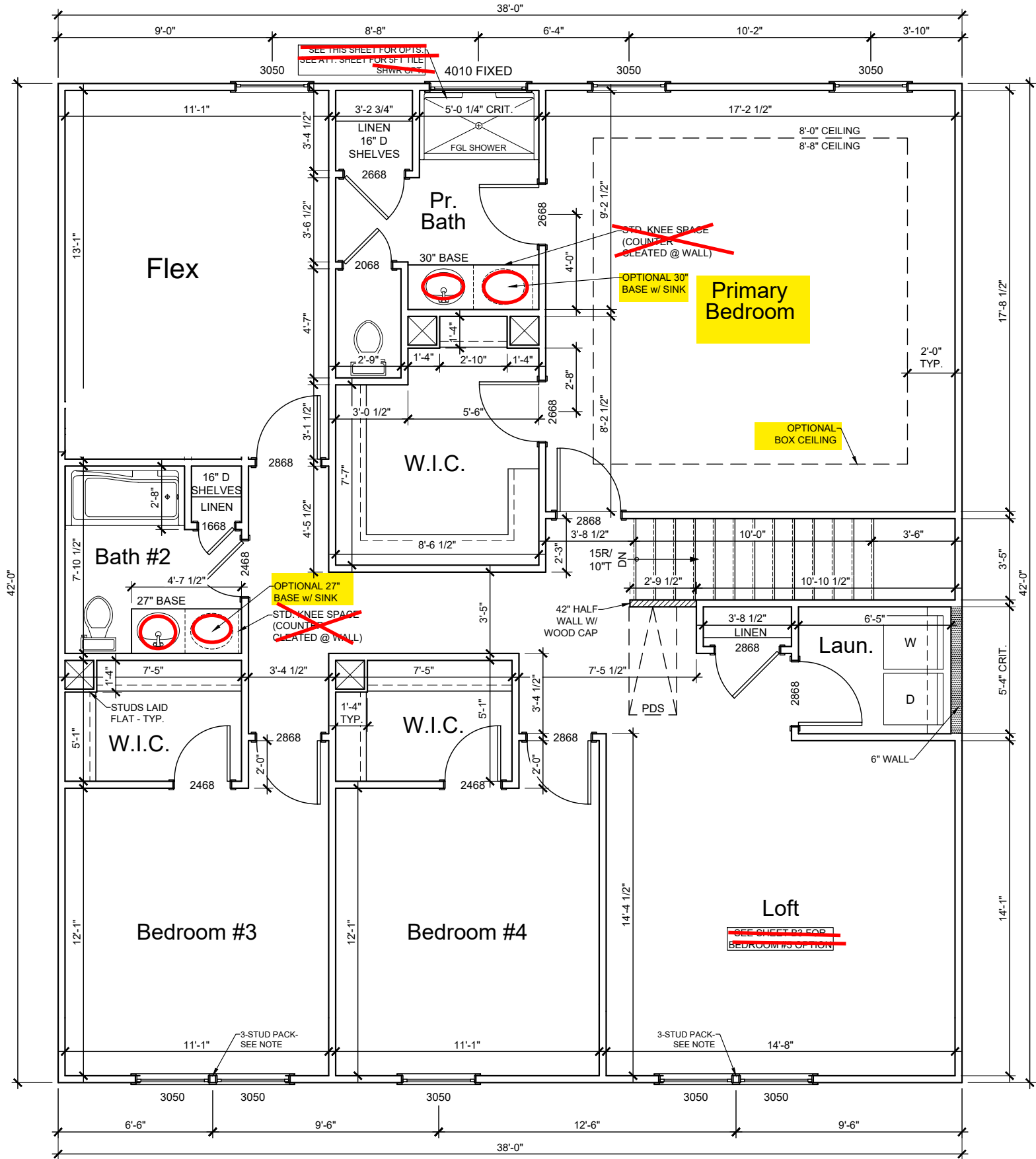
Tub/ Shower Option

FOR ORIENTATION PURPOSES ONLY
@ PRIMARY BATH @ 2ND FLOOR



Garden Tub Opt.

3/16" = 1'-0" @ Primary Bath



SECOND FLOOR
3/16" = 1'-0"

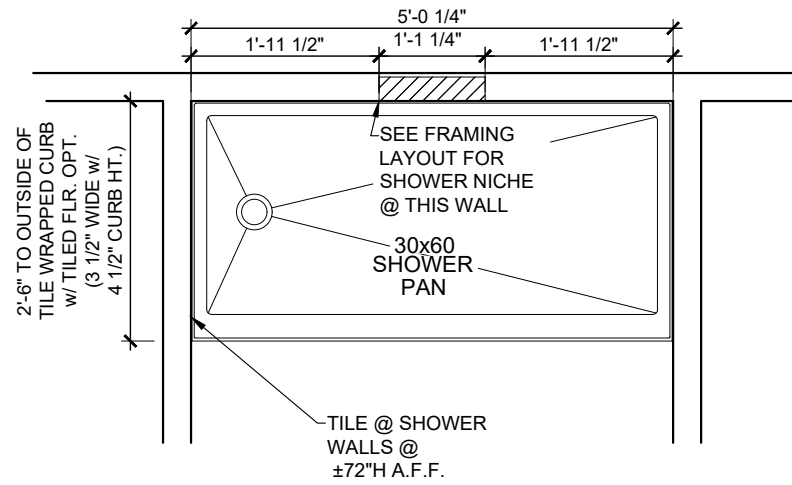
3- STUD PACK NOTE:
ALL FRAMING BETWEEN WINDOWS TO BE WRAPPED IN ICE & WATER SHIELD OR OTHER WEATHER RESISTANT BARRIER BEFORE WINDOWS ARE INSTALLED. MAINTAIN DRAINAGE PLAN FROM TOP TO BOTTOM WITH HOUSEWRAP- TYPICAL.

B2	Features:
	Drawn By: pla Rev By: cja, atw jsc, EB
	Date: 9/6/2024

Telfair A
Genesis Series
v.04.02.00.00

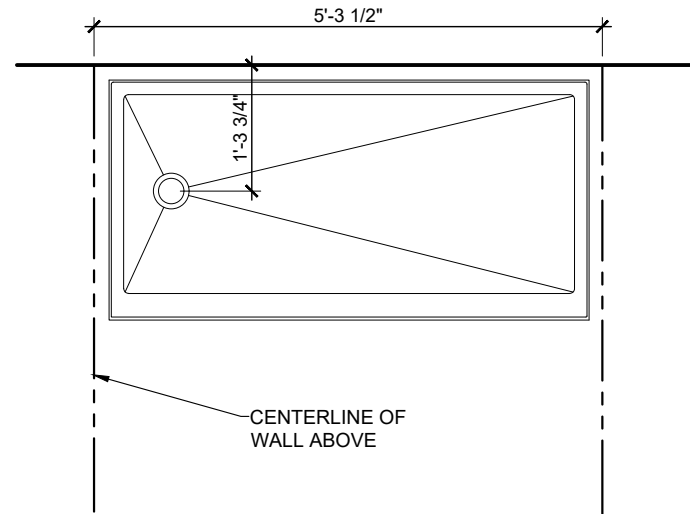
1st Floor.....	1222
2nd Floor.....	1549
Garage.....	374
Front Porch.....	28
Covered Porch Optional.....	120
3rd Car Garage Option.....	220

A Square Footages:



FLOOR PLAN

SCALE: 1/2" = 1'-0"

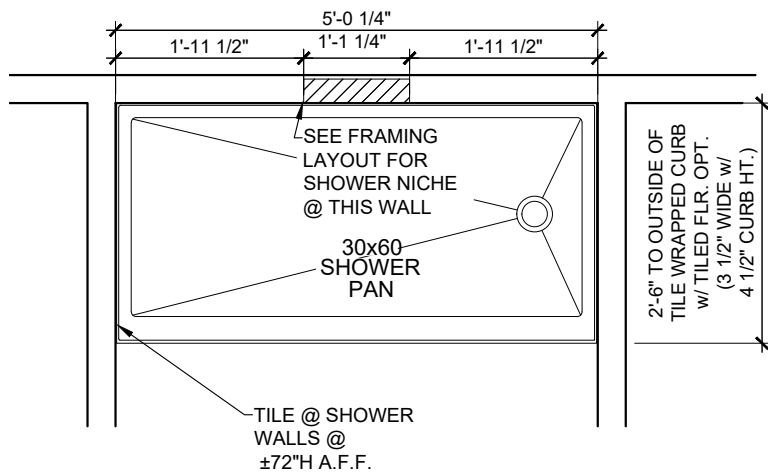


FOUNDATION INFORMATION

SCALE: 1/2" = 1'-0"

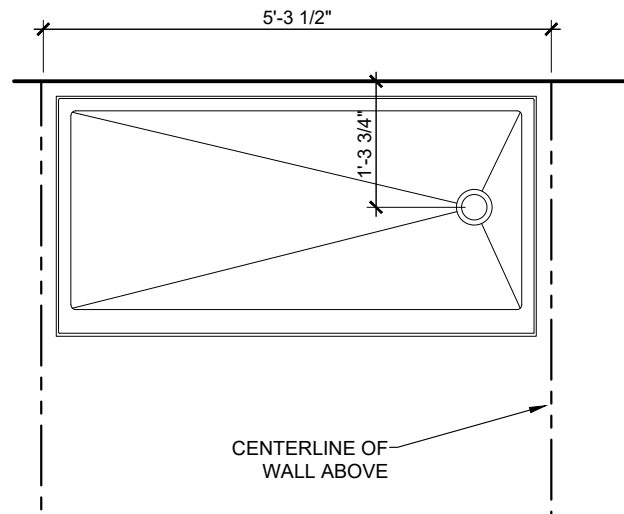
NOTE: THIS DETAIL IS NOT PLAN SPECIFIC, BUT SHOULD MATCH THE SHOWER ORIENTATION ON EACH PLAN SET.

(SHOWER DRAIN LEFT)



FLOOR PLAN

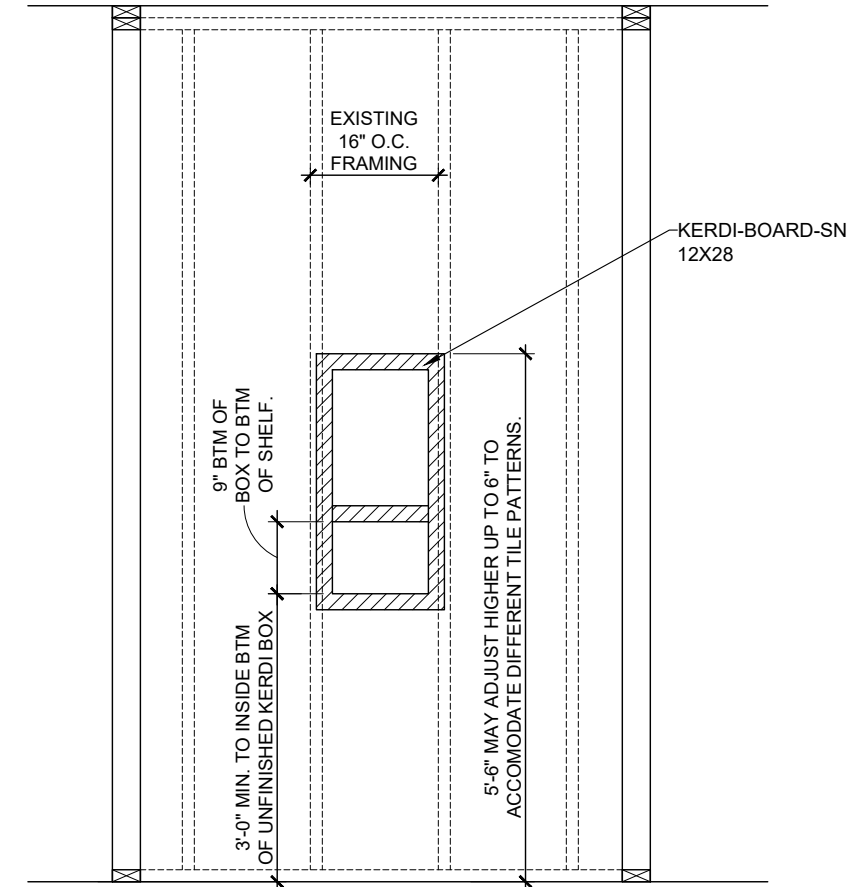
SCALE: 1/2" = 1'-0"



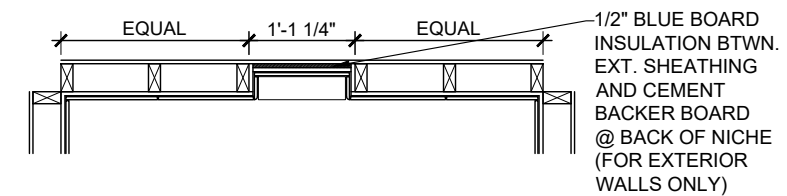
FOUNDATION INFORMATION

SCALE: 1/2" = 1'-0"

(SHOWER DRAIN RIGHT)



ELEVATION VIEW



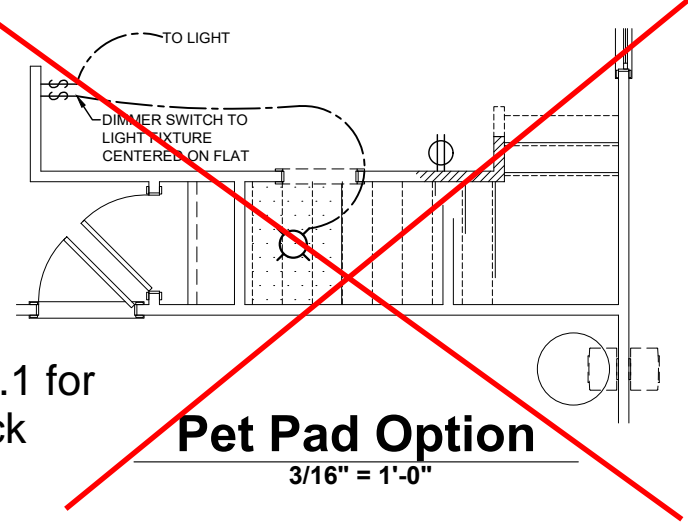
PLAN VIEW

KERDI SHOWER NICHE DETAIL

SCALE: 1/2" = 1'-0"

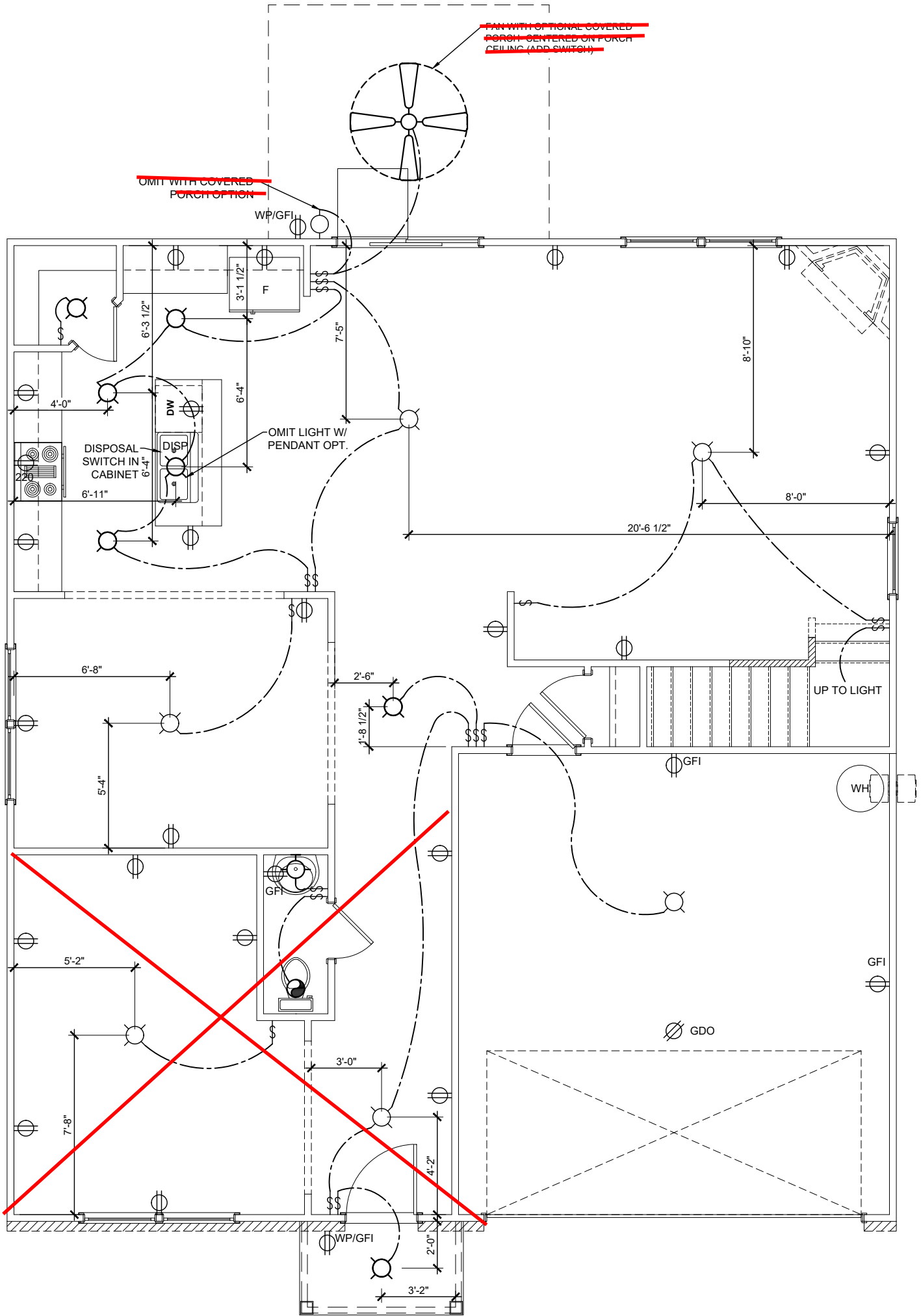
HALL OR GUEST BATH
5' TILE SHOWER ONLY OPTION
(30x60)
SCALE: 1/2" = 1'-0"

Drawn By: KBM
Date: 8/27/2024
Rev By: AM



See Page SO1.1 for
Opt. Wood Deck

Pet Pad Option
3/16" = 1'-0"



FIRST FLOOR - ELECTRICAL
3/16" = 1'-0"

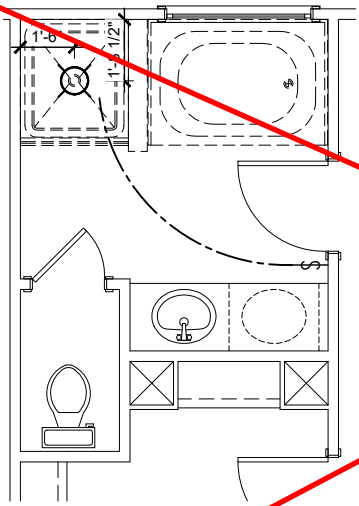
E1	Features:
	Drawn By: pla Date: 9/6/2024
	Rev By: cja, atw jsc, EB

Telfair A
Genesis Series
v.04.02.00.00

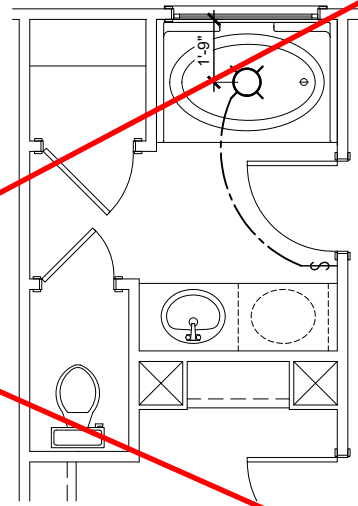
1st Floor.....	1222
2nd Floor.....	1549
Garage.....	374
Front Porch.....	28
Covered Porch Optional.....	120
3rd Car Garage Option.....	220

A Square Footages:

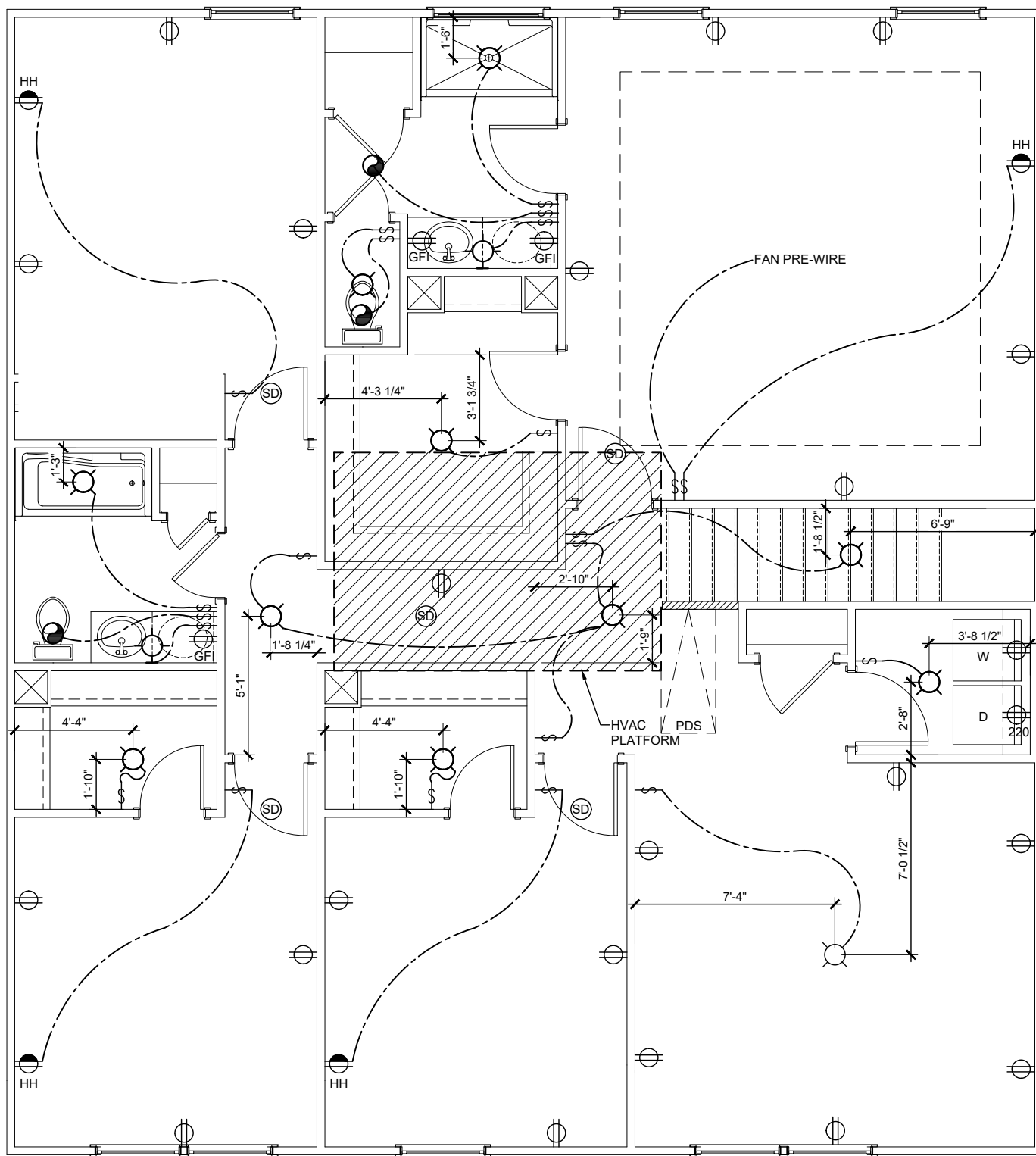




Tub/ Shower Option
 FOR ORIENTATION PURPOSES ONLY
 @ PRIMARY BATH @ 2ND FLOOR



Garden Tub Opt.
 3/16" = 1'-0" @ PRIMARY BATH



SECOND FLOOR - ELECTRICAL
 3/16" = 1'-0"

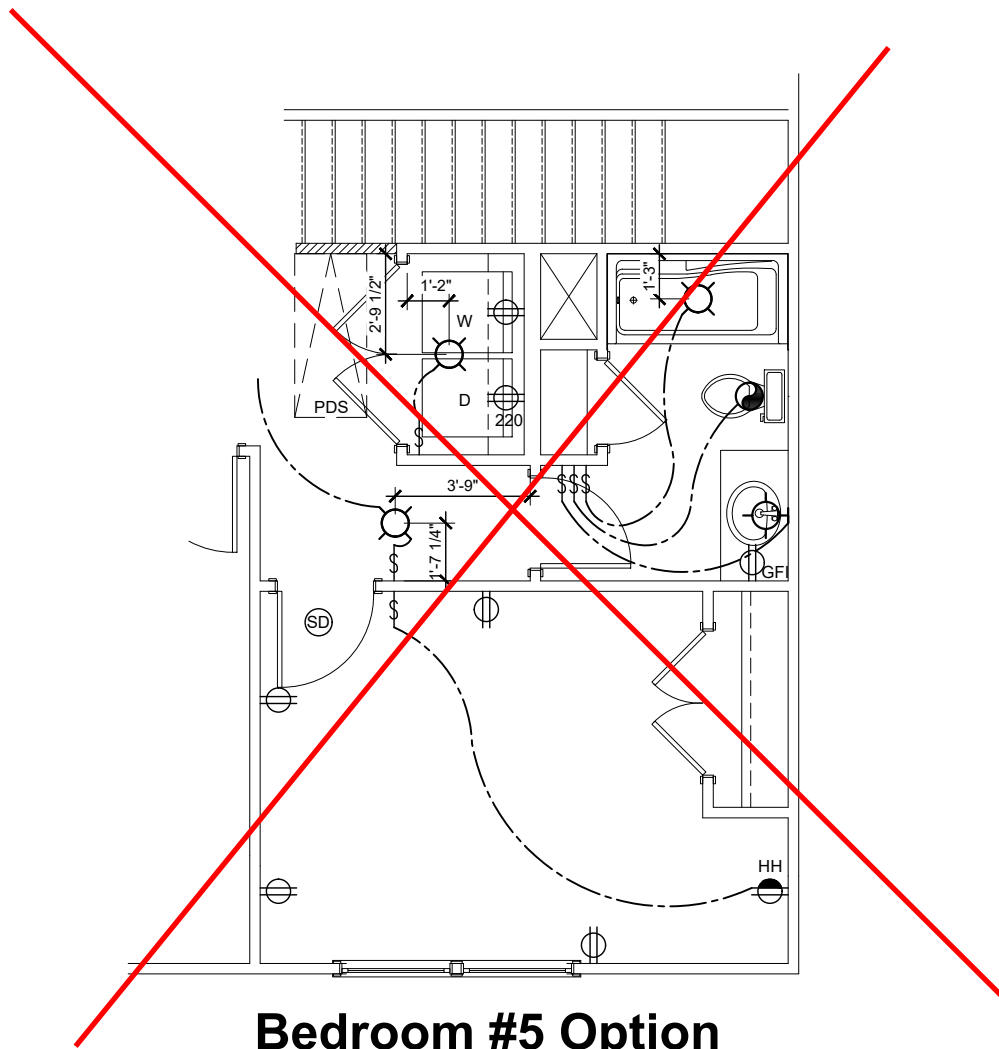
E2	Features:
	Drawn By: pla Date: 9/6/2024
	Rev By: cja, atw jsc, EB

Telfair A
 Genesis Series
 v.04.02.00.00

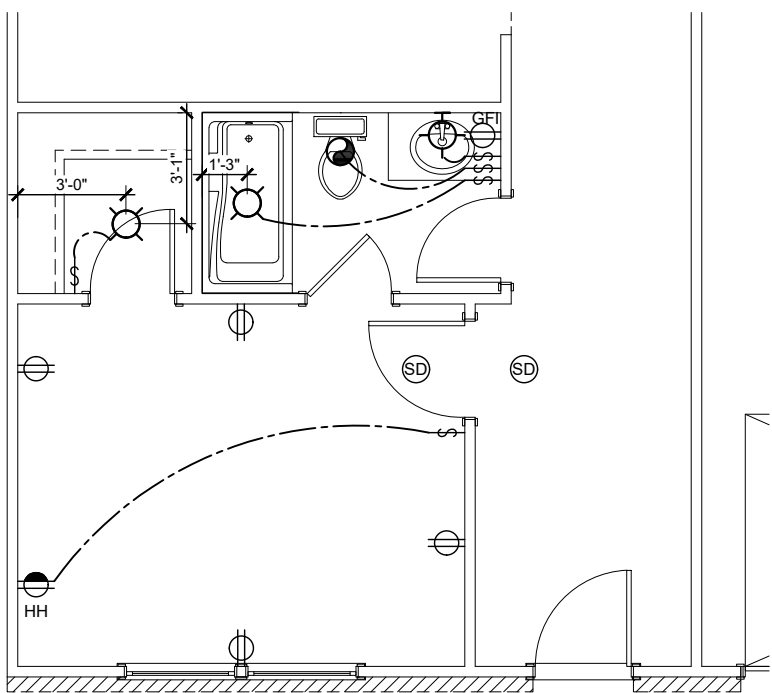
1st Floor.....	1222
2nd Floor.....	1549
Garage.....	374
Front Porch.....	28
Covered Porch Optional.....	120
3rd Car Garage Option.....	220

A Square Footages:

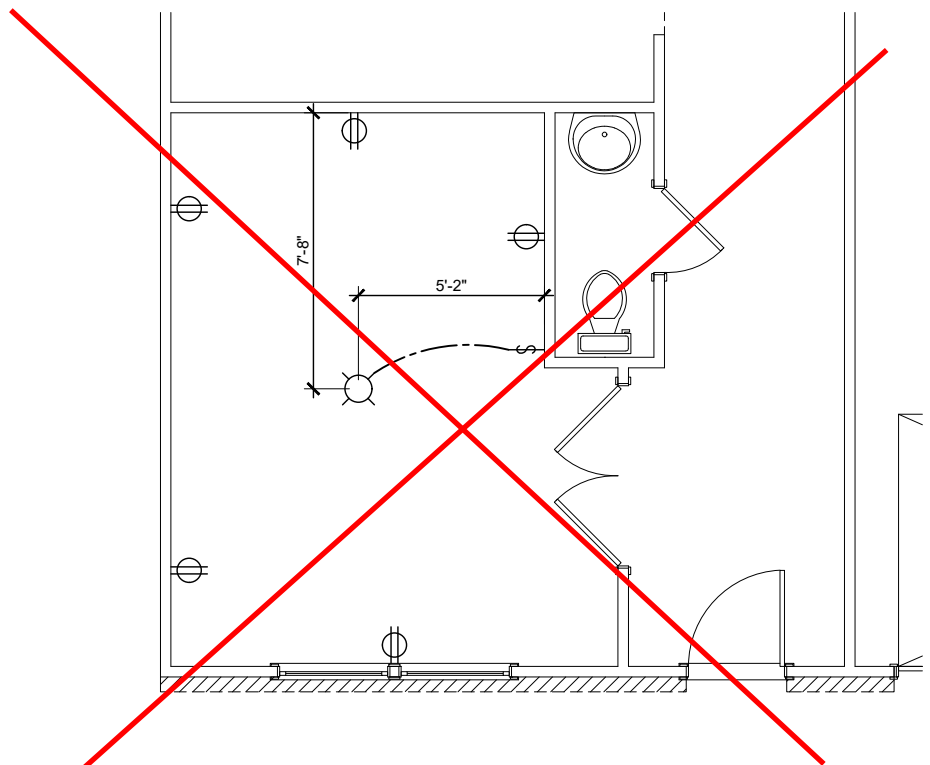




Bedroom #5 Option
 3/16" = 1'-0" I.L.O. LOFT



Guest Suite Option
 3/16" = 1'-0" I.L.O. FLEX



French Door Option
 3/16" = 1'-0" @ FLEX

E3

Features:
 Drawn By: pla Rev By: cja, atw
 Date: 9/6/2024 jsc, EB

Telfair A
 Genesis Series
 v.04.02.00.00

1st Floor.....	1222
2nd Floor.....	1549
Garage.....	374
Front Porch.....	28
Covered Porch Optional.....	120
3rd Car Garage Option.....	220

A Square Footages:



CONNECTION SPECIFICATIONS (TYP. U.N.O.)

Table with 3 columns: DESCRIPTION OF BLDG. ELEMENT, 3"x0.131" NAILS, 3"x0.120" NAILS. Rows include JOIST TO SOLE PLATE, STUD TO PLATE, RIM TO TOP JOISTS, etc.

VENEER LINTEL SCHEDULE

Table with 3 columns: SPAN (MAX), HEIGHT OF VENEER ABOVE LINTEL, STEEL ANGLE SIZE. Rows include 3'-0", 6'-0", 8'-0", 9'-6", 16'-0".

ALL LINTELS: - SHALL SUPPORT 2 3/8" - 3 1/2" VENEER w/ 40 psf MAXIMUM WEIGHT. < 16" SHALL HAVE 4" MIN. BEARING. > 16" SHALL HAVE 8" MIN. BEARING.

NON-BEARING HEADER SCHEDULE

Table with 3 columns: SPAN, 2x4 NON-BEARING PARTITION WALL, 2x6 NON-BEARING PARTITION WALL. Rows include UP TO 3'-0", UP TO 6'-0", UP TO 8'-0", UP TO 12'-0".

LEGEND section with symbols for interior bearing wall, bearing wall above, extent of overframing, extent of tile over floor, extent of bracing panels, hold-down or strap, metal hanger, and post above.

MEANS & METHODS NOTES

THE STRUCTURE IS DESIGNED TO BE SELF SUPPORTING AND STABLE AFTER THE BUILDING IS FINISHED AND ALL PLAN, DETAIL, AND NOTE SPECIFICATIONS HAVE BEEN COMPLETED.

GENERAL STRUCTURAL NOTES

FOUNDATION

- DESIGN IS BASED ON 2018 NORTH CAROLINA STATE RESIDENTIAL CODE.
FOOTING DESIGN - 2,000 PSF ALLOWABLE SOIL BEARING PRESSURE IS ASSUMED.
FASTEN 2x4/6 SILL PLATES TO CONC. FND WITH A MINIMUM OF 2 ANCHORS PER PLATE.

EXTERIOR & SHEAR WALL SHEATHING SPECIFICATIONS

FOUNDATION

THIS MODEL HAS BEEN DESIGNED TO RESIST LATERAL FORCES RESULTING FROM: 115 MPH WIND IN 2018 NC5BC:RC (115 MPH WIND SPEED IN ASCE 7-10 WIND MAP, PER NC5BC R301.2.1.1) EXP. B & SEISMIC CAT. A/B.

EXT. WALL SHEATHING SPECIFICATION

- 7/16" OSB OR 15/32" PLYWOOD: FASTEN SHEATHING w/ 2 3/8"x0.131 NAILS @ 6" O.C. AT EDGES @ 12" O.C. IN THE PANEL FIELD.
ALL SHEATHING PANELS SHALL BE ORIENTED VERTICALLY (LONG DIRECTION PARALLEL TO STUDS).

NOTES

- SEE CONNECTION SPECIFICATIONS CHART FOR STANDARD SHEAR TRANSFER DETAILING.
DESIGN ASSUMES ALL INTERIOR SHEAR WALLS AND EXTERIOR WALLS ARE CONTINUOUS SHEATHED ABOVE AND BELOW OPENINGS.

LIST OF ABBREVIATIONS

Table with 2 columns: Abbreviation, Full Name. Rows include B.F. BALLOON-FRAMED BEAM, BOT. BOTTOM BEARING, BRG. BEARING, etc.

GENERAL STRUCTURAL NOTES

FLOOR FRAMING

- TRUSSES SHALL BE DESIGNED BY MANUF. TO MEET OR EXCEED L/480 LIVE LOAD DEFLECTION CRITERIA.
PER THE GUIDELINES OF THE TILE COUNCIL OF NORTH AMERICA (TCNA HANDBOOK), IT SHALL BE THE FLOOR FINISH INSTALLER'S RESPONSIBILITY TO VERIFY THAT THE FINISHES TO BE INSTALLED MATCH THE DESIGN CRITERIA NOTED ABOVE.

ROOF FRAMING

- ROOF SHEATHING SHALL BE 7/16" A.P.A. RATED SHEATHING 24/16 EXPOSURE 1 (OR APPROVED EQUAL).
WITHIN 48" OF ALL ROOF EDGES, RIDGES, & HIP'S FASTEN ROOF SHEATHING FIELDS PER EDGE NAILING SPEC.

ADDITIONAL NOTES FOR TRUSS & I-JOIST MANUFACTURER

ROOF TRUSS, FLOOR TRUSS AND ENGINEERED JOISTS SHALL BE DESIGNED TO MEET THE DIFFERENTIAL DEFLECTION CRITERIA BELOW, UNLESS NOTED OTHERWISE ON PLAN.

GENERAL STRUCTURAL NOTES

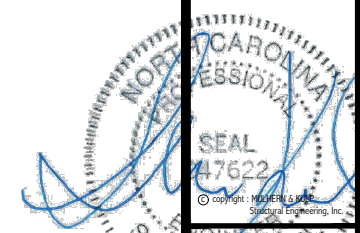
- DESIGN IS BASED ON 2018 NORTH CAROLINA STATE RESIDENTIAL CODE.
WOOD FRAME ENGINEERING IS BASED ON NDS, "NATIONAL DESIGN SPECIFICATION FOR WOOD CONSTRUCTION" - LATEST EDITION.

GENERAL FRAMING

- ALL TYP. NAIL FASTENER REQUIREMENTS ARE NOTED IN STANDARD CONNECTIONS TABLE (IRC TABLE R602.3(1)) OR ON PLANS.
ALL INTERIOR BEARING WALLS ARE ASSUMED TO BE SHEATHED w/ GYP WALL BOARD (ONE SIDE MIN) OR PROVIDE MID HT. BLOCKING.

- ENGINEERED LUMBER BEAMS TO MEET OR EXCEED THE FOLLOWING:
ENGINEERED LUMBER POSTS TO MEET OR EXCEED THE FOLLOWING:
FOR 2 & 3 PLY BEAMS OF EQUAL 1 3/4" MAX. WIDTH, FASTEN FLIES TOGETHER WITH 3 ROWS OF 3"x0.120" NAILS @ 8" O/C OR 2 ROWS 1/4"x3/8" SIMPSON SDS SCREENS (OR 3/8" TRUSSLOK SCREENS) @ 16" O/C.

- FASTEN ALL METAL CONNECTORS (I.E. HANGERS, CLIPS, ETC) PER MANUFACTURER'S SPECIFICATIONS FOR MAXIMUM TABLE LOAD VALUE U.N.O.
PROVIDE SOLID BLOCKING IN FLOOR SYSTEM UNDER ALL POSTS CONTINUOUS TO FND/BEARING. BLOCKING TO MATCH POST ABOVE.



MULHERN+KULP RESIDENTIAL STRUCTURAL ENGINEERING
300 Beaverton Ave., Building 4 - Asheville, NC 28802
721-246-0011 - mulhern@mk.com
NC License # C-3825



M&K project number: 192-17017
project mgr: SMK
drawn by: MDS
issue date: 09-04-20

REVISIONS:
date: initial:

ARCH: v.01.01.00.00



GENERAL STRUCTURAL NOTES
TELFAIR
WIND SPEED < 115 MPH NORTH CAROLINA
MUNGO - MAY 2017

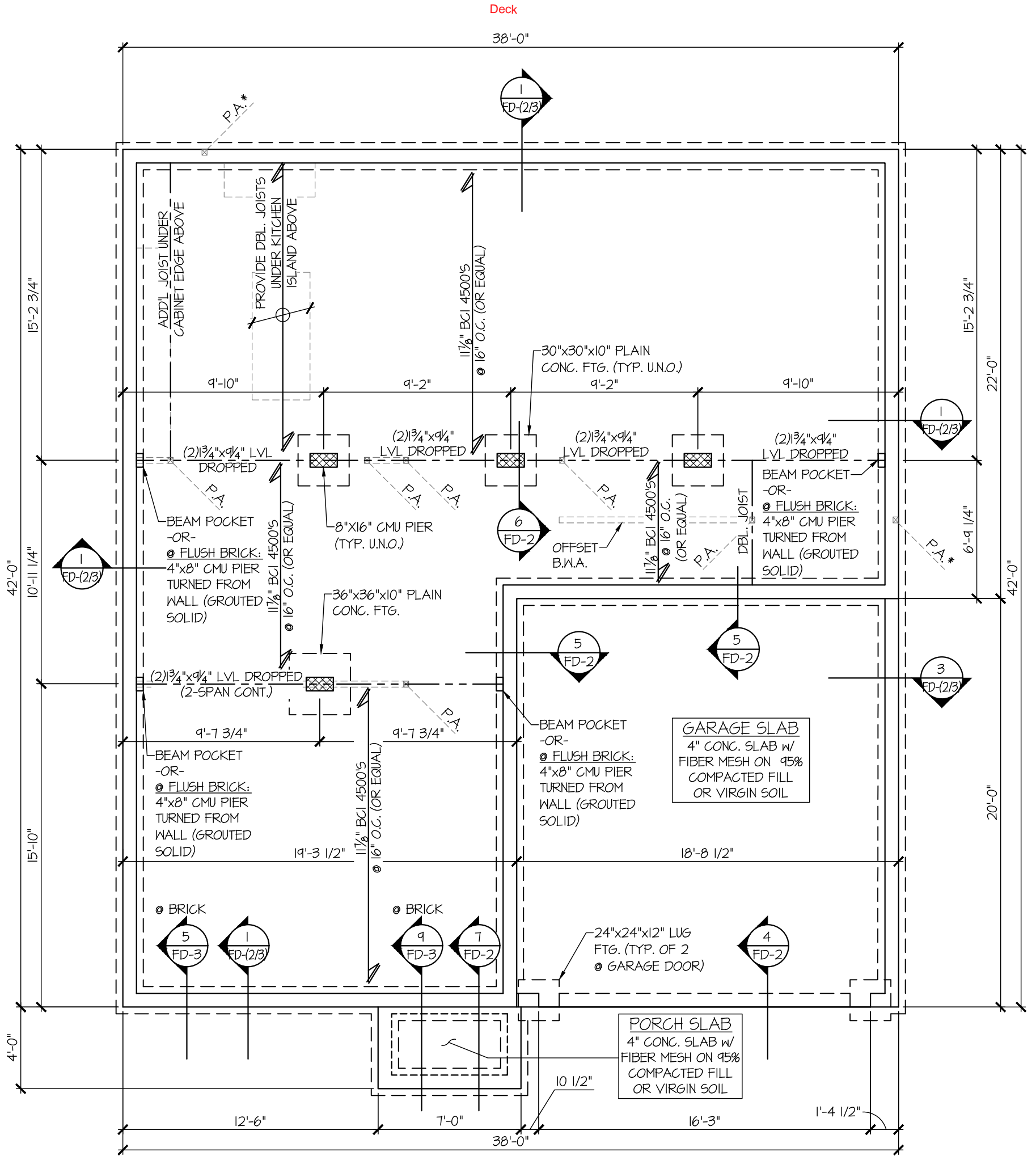
SO.0

DIMENSIONS REFLECT FACE OF WALL STUDS ABOVE OR CENTERLINES OF CRAWLSPACE PIERS (REFER TO DETAILS FOR FOUNDATION WALL PLACEMENT RELATIVE TO WALL FRAMING ABOVE)

FOUNDATION HARDWARE SCHEDULE
ELEVATION A

QTY	PRODUCT
15	SIMPSON STRONG BOLT 2 ANCHORS

HARDWARE NOTES:
 - ALL NAIL HOLES FILLED
 - ALL COUNTS ESTIMATED
 - 15 ADDITIONAL STRONG BOLT 2 ANCHORS INCLUDED FOR MISSED ANCHOR BOLTS



1 CRAWLSPACE FOUNDATION PLAN
SCALE: 3/16"=1'-0" ELEV. A

REFER TO S-0.0 FOR
TYPICAL STRUCTURAL NOTES
& SCHEDULES

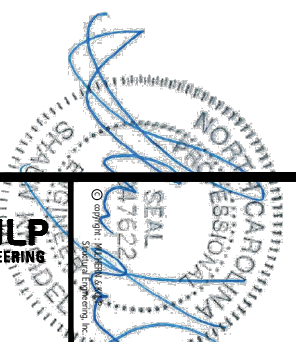
SC1.0
FOUNDATION PLAN
TELFAIR
ELEVATION A
WIND SPEED < 115 MPH NORTH CAROLINA



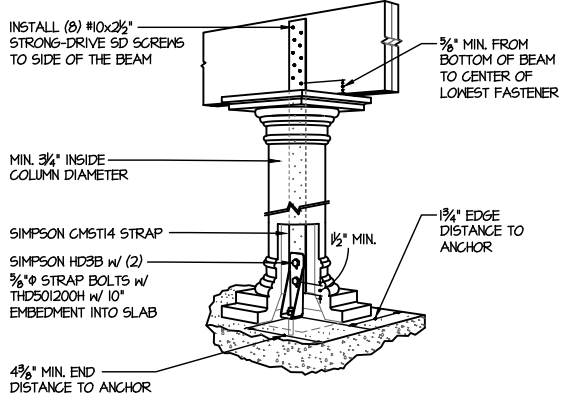
ARCH: 01.01.0000
date: 09-04-20
REVISED:
initial:
project mgr: SMK
drawn by: MDS
issue date: 09-04-20
M&K project number: 192-17017



MULHERN+KULP
RESIDENTIAL STRUCTURAL ENGINEERING
300 Brookside Ave, Building 4 • Amber, PA 15002
p: 215-646-8801 • mulhern+kulp.com
NC License # C-3825



2/19/24



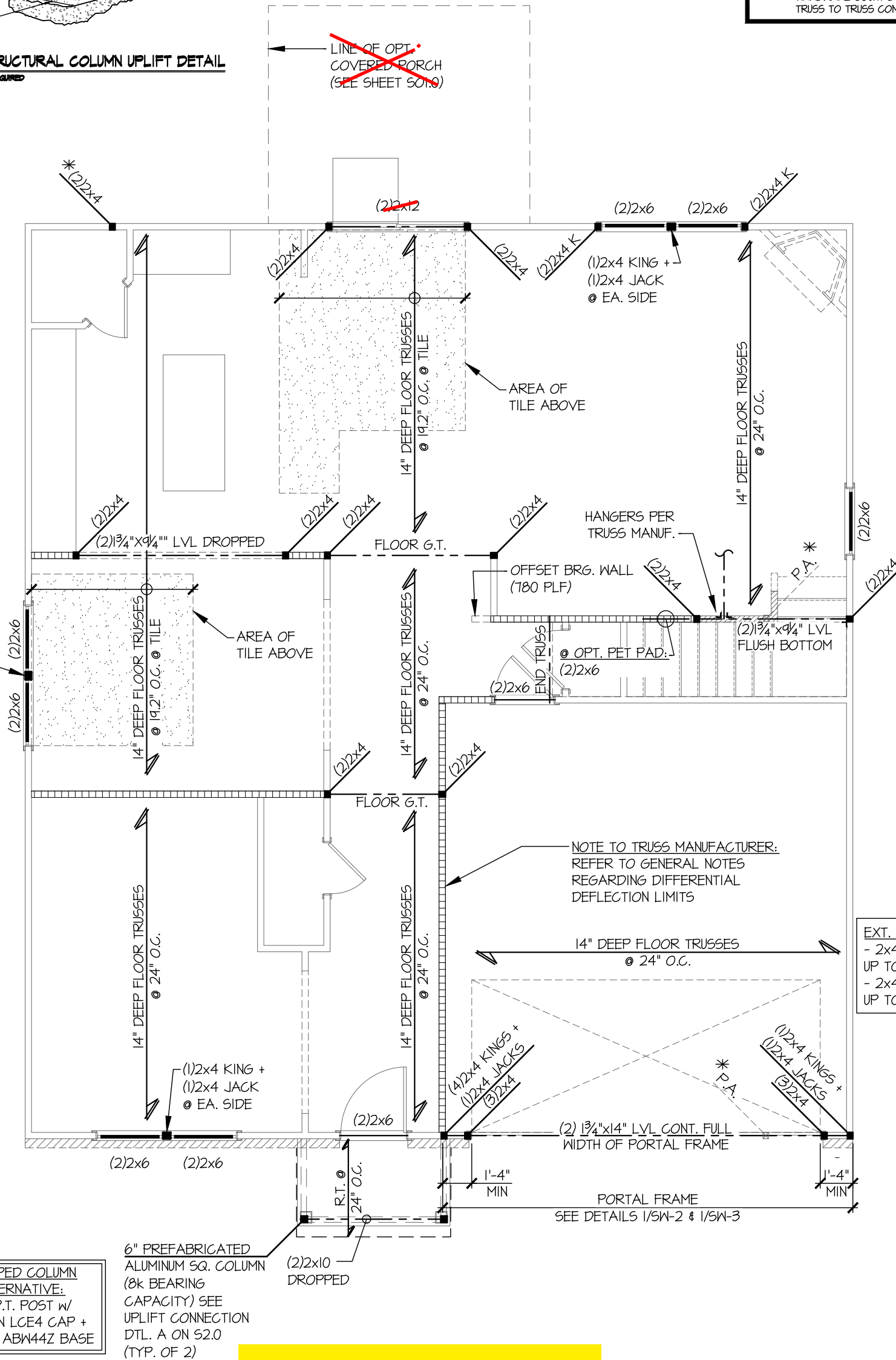
A HOLLOW STRUCTURAL COLUMN UPLIFT DETAIL
NOT TO SCALE - AS REQUIRED

See Page SO1.1 for Opt. Wood Deck

2ND FLOOR HARDWARE SCHEDULE
ELEVATION A

QTY	PRODUCT
4	SIMPSON C516 STRAP (26\"/>

HARDWARE NOTES:
- ALL NAIL HOLES FILLED
- ALL COUNTS ESTIMATED
- HARDWARE COUNT DOES NOT INCLUDE TRUSS TO TRUSS CONNECTIONS



EXT. GARAGE WALLS:
- 2x4 SP 'STUD' @ 16" O.C. UP TO 10'-0" TALL.
- 2x4 SP 'STUD' @ 12" O.C. UP TO 12'-0" TALL

WRAPPED COLUMN ALTERNATIVE:
4x4 P.T. POST W/ SIMPSON LCE4 CAP + SIMPSON ABW44Z BASE

6" PREFABRICATED ALUMINUM SQ. COLUMN (8k BEARING CAPACITY) SEE UPLIFT CONNECTION DTL. A ON S2.0 (TYP. OF 2)

2ND FLOOR FRAMING PLAN
SCALE: 3/16"=1'-0"
ELEV. A
(1ST FLOOR WALLS SHOWN)

PLAN DESIGNED FOR 8' -OR- 9' PLATE HEIGHT

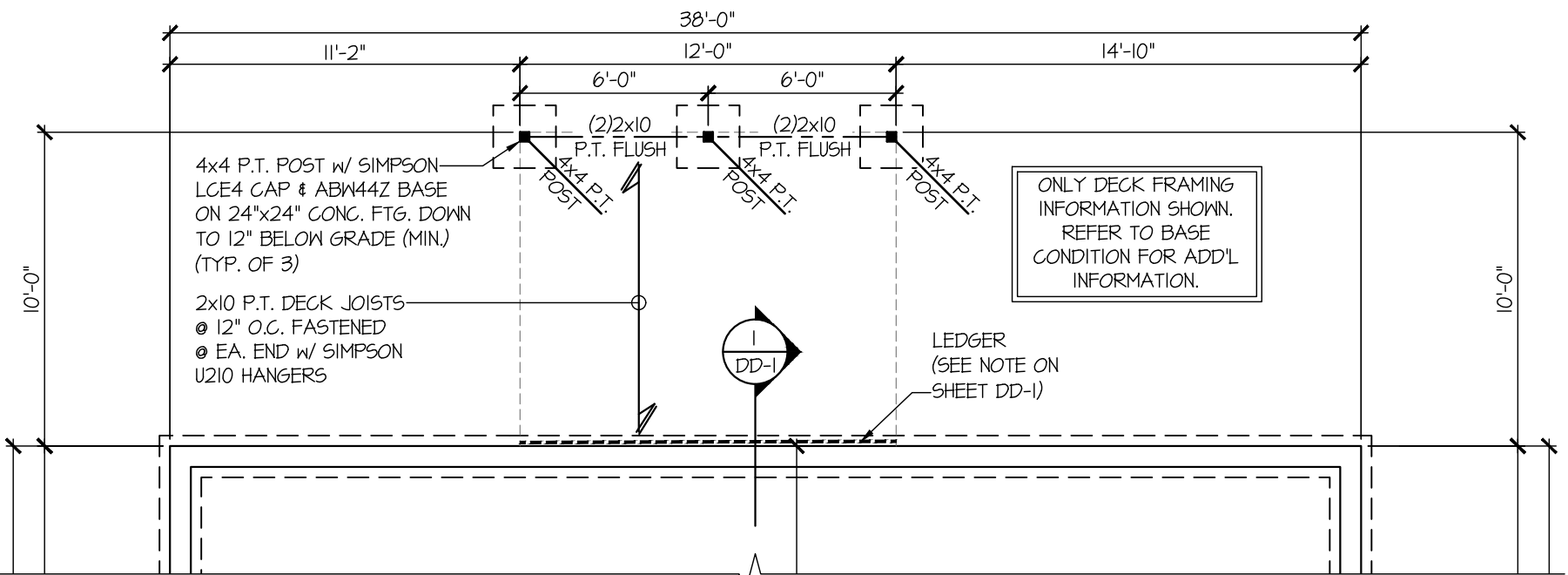
REFER TO S-0.0 FOR TYPICAL STRUCTURAL NOTES & SCHEDULES



2/19/24

ADD'L HARDWARE SCHEDULE FOR
OPT. WOOD DECK

QTY	PRODUCT
24	SIMPSON U210 HANGER
3	SIMPSON LCE4 POST CAP
3	SIMPSON ABW44Z POST BASE
4	SIMPSON H3 CLIP
2	SIMPSON BC52-2/4 POST BASE



**PARTIAL CRAWLSPACE FOUNDATION PLAN
OPT. WOOD DECK**
SCALE: 3/16"=1'-0" ALL ELEVS. SIM.

REFER TO S-0.0 FOR
TYPICAL STRUCTURAL NOTES
& SCHEDULES

SO1.1

OPTION FRAMING PLANS

TELFAIR
COVERED PORCH
WIND SPEED < 115 MPH NORTH CAROLINA



DATE: 09-04-20

PROJECT NO: 192-17017

DESIGNER: MDS

PROJECT MGR: SMK

ISSUE DATE: 09-04-20

PROJECT NO: 192-17017

MULHERN+KULP
RESIDENTIAL STRUCTURAL ENGINEERING

300 Brookside Ave, Building 4 - Ambler, PA 19002
p 215-646-8001 • mulhern+kulp.com
NC License # C-3825

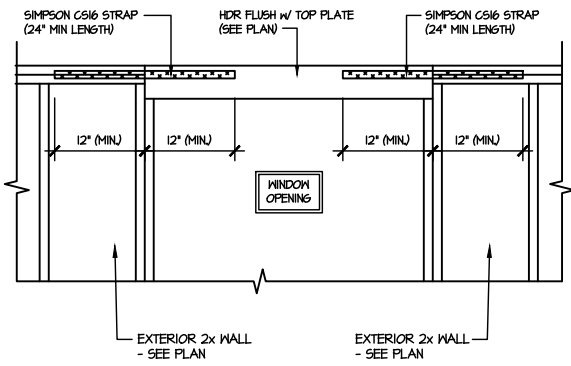
SEAL
47622

2/19/24

ROOF HARDWARE SCHEDULE
ELEVATION A

QTY	PRODUCT
92	SIMPSON H2.5A CLIP
2	SIMPSON C616 STRAP (24"/STRAP)

HARDWARE NOTES:
 - ALL NAIL HOLES FILLED
 - ALL COUNTS ESTIMATED
 - HARDWARE COUNT DOES NOT INCLUDE TRUSS TO TRUSS CONNECTIONS

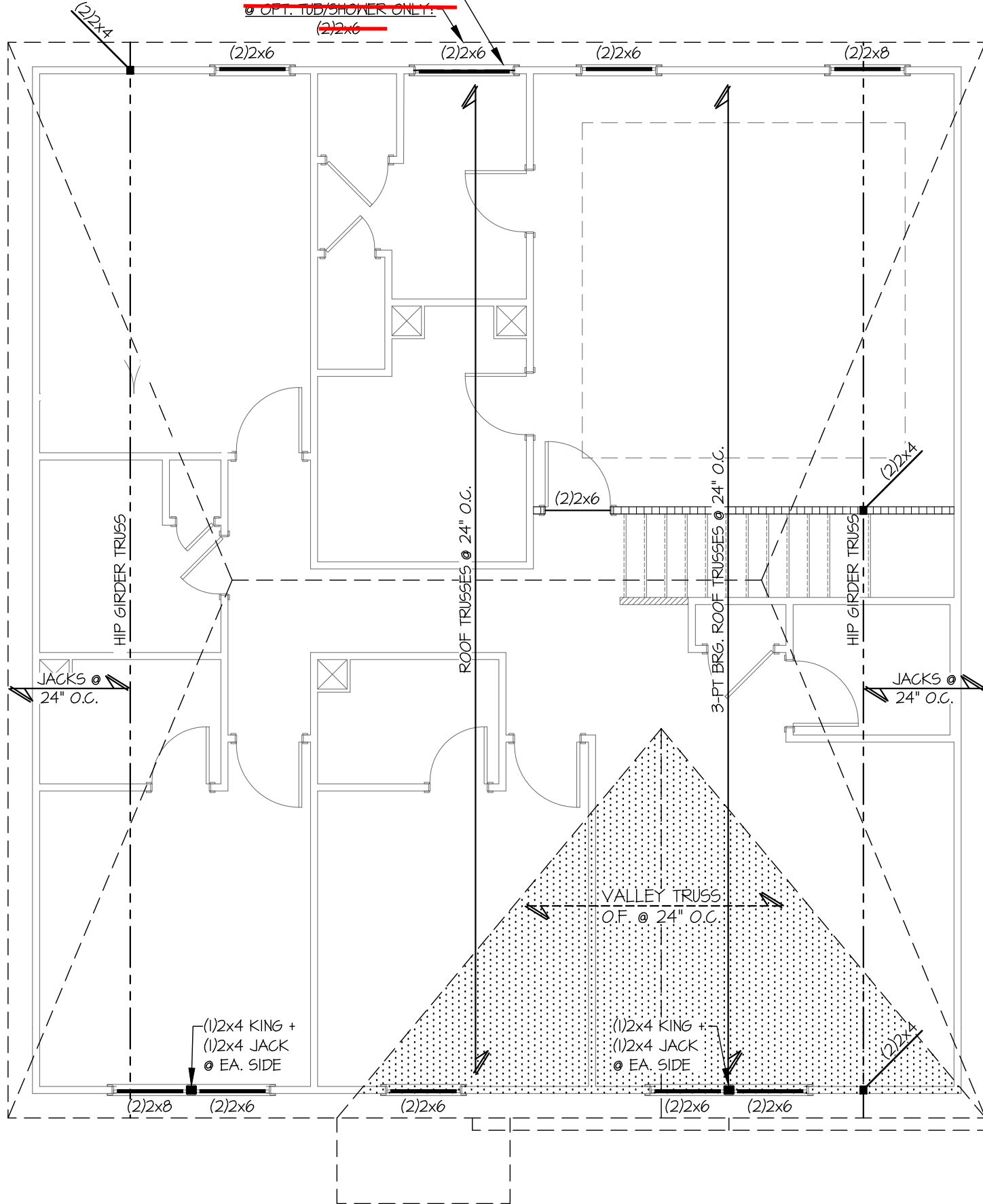


**SHEAR TRANSFER DETAIL
AT UPSET WINDOW**

A
SCALE: 3/8"=1'-0"

HDR FLUSH w/ TOP PLATE; PROVIDE C616 STRAP FROM HDR TO DBL TOP PLATE (12" MIN. END LENGTH) (SEE DTL. A/S3.0)

~~@ OF 1. TUD/SLOPER ONLY.~~



PLAN DESIGNED FOR
8' PLATE HEIGHT

REFER TO S-00 FOR
TYPICAL STRUCTURAL NOTES
& SCHEDULES



ROOF FRAMING PLAN

SCALE: 3/16"=1'-0"
(2ND FLOOR WALLS SHOWN)

ELEV. A

S3.0

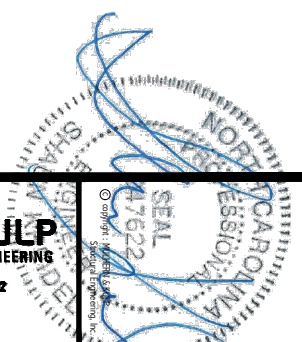
ROOF FRAMING PLAN
TELFAIR
ELEVATION A
WIND SPEED < 115 MPH NORTH CAROLINA



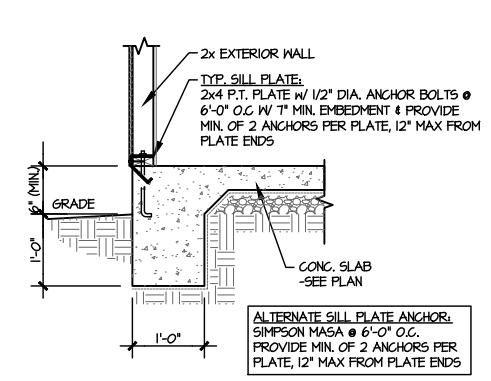
ARCH: 01.01.0000
 date: _____
 initials: _____
 REVISIONS:
 project mgr: SMK
 drawn by: MDS
 issue date: 09-04-20
 M&K project number:
 192-17017



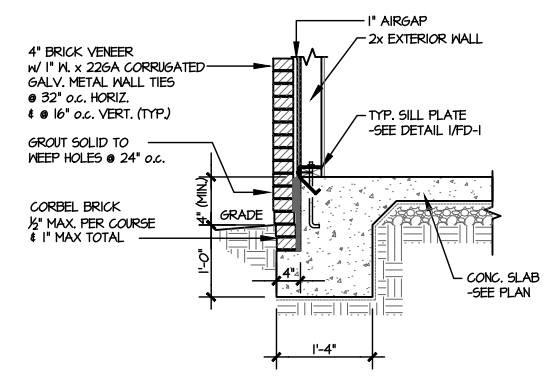
MULHERN+KULP
RESIDENTIAL STRUCTURAL ENGINEERING
 300 Brookside Ave, Building 4 - Amber, PA 19002
 p: 215-646-8001 • mulhern+kulp.com
 NC License # C-3825



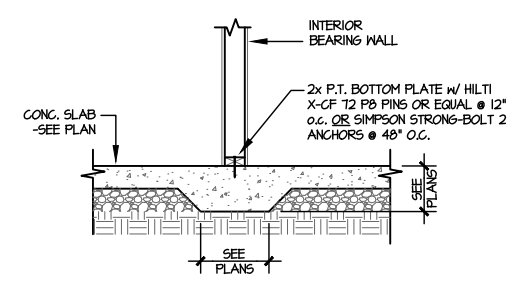
2/19/24



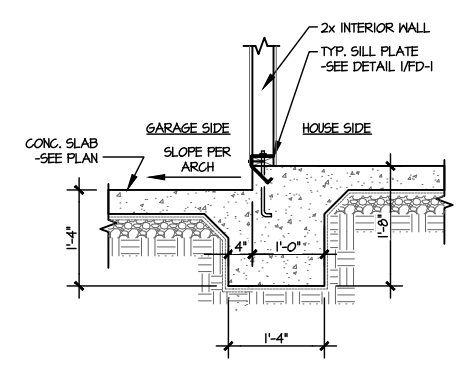
1 TYPICAL TURNDOWN @ EXT. WALL
SCALE: 3/8\"/>



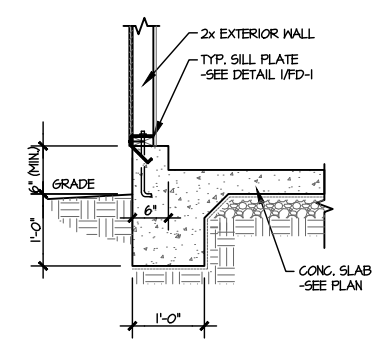
2 TYPICAL TURNDOWN @ EXT. WALL (BRICK)
SCALE: 3/8\"/>



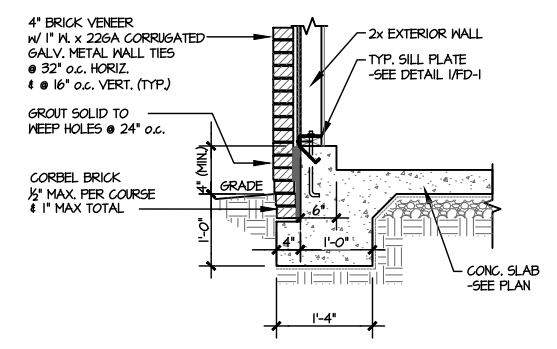
3 TYPICAL THICKENED SLAB @ INTERIOR BEARING WALL
SCALE: 3/8\"/>



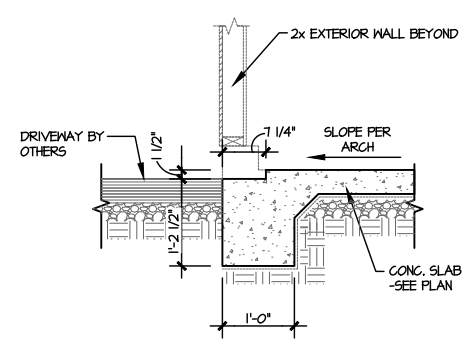
4 TYPICAL INT. FOOTING BETWEEN HOUSE & GARAGE
SCALE: 3/8\"/>



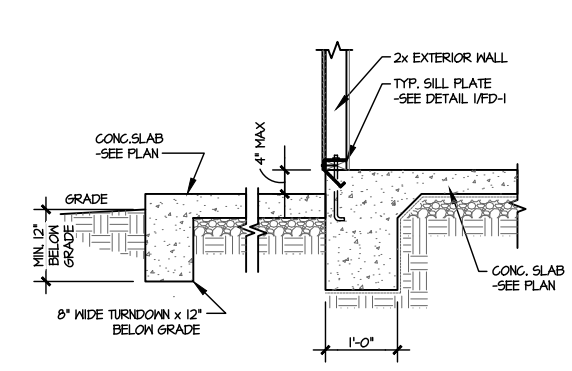
5 TYPICAL TURNDOWN @ EXT. GARAGE WALL
SCALE: 3/8\"/>



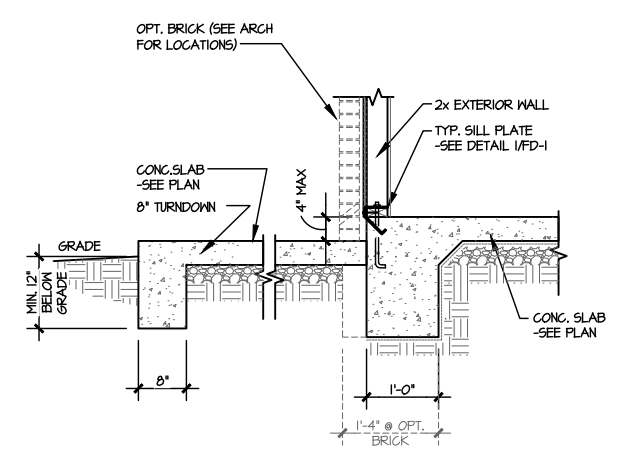
6 TYPICAL TURNDOWN @ EXT. GARAGE WALL (BRICK)
SCALE: 3/8\"/>



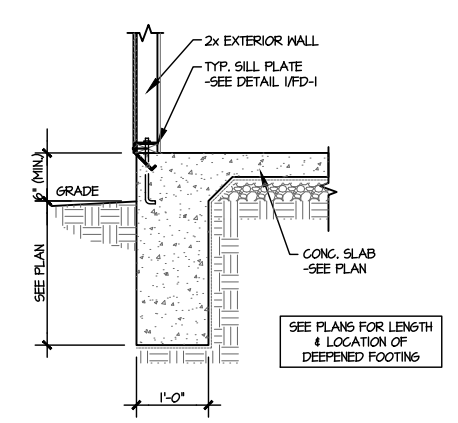
7 GARAGE OPENING
SCALE: 3/8\"/>



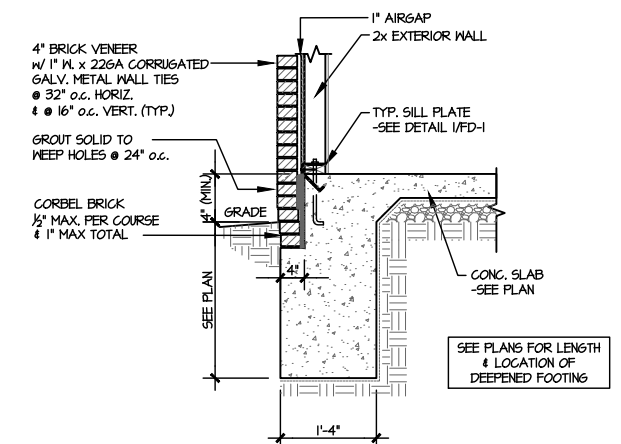
8 TYPICAL TURNDOWN @ PATIO/PORCH
SCALE: 3/8\"/>



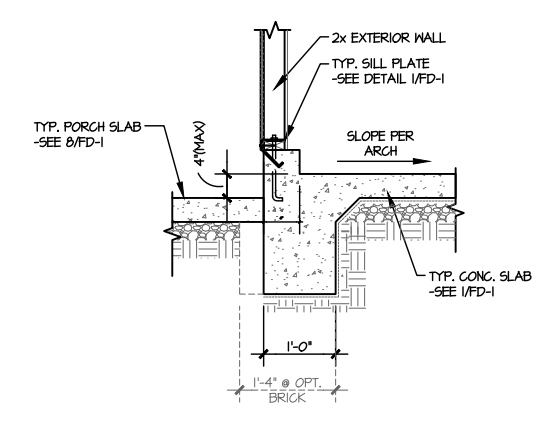
9 TYPICAL TURNDOWN @ PATIO/PORCH (BRICK)
SCALE: 3/8\"/>



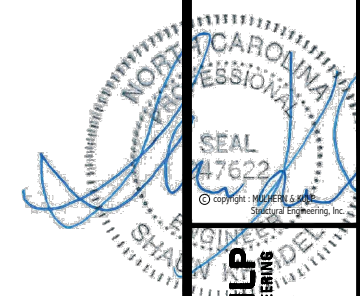
10 TYPICAL TURNDOWN W/ DEEPENED FTGS. @ EXT. WALL
SCALE: 3/8\"/>



11 TYPICAL TURNDOWN @ EXT. WALL (BRICK)
SCALE: 3/8\"/>



12 TYPICAL TURNDOWN @ COVERED PORCH/ATTACHED GARAGE
SCALE: 3/8\"/>



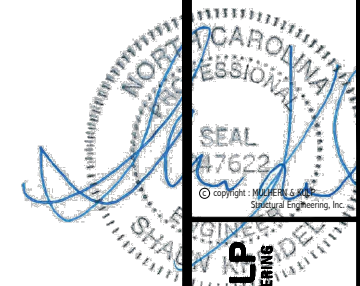
MULHERN+KULP
RESIDENTIAL STRUCTURAL ENGINEERING
300 Bluebirds Ave, Building 4 - Panther, PA 19088
P: 717-546-8811 - mulhern@mk.com
NC License # C-3825

M&K project number:
192-17017
project mgr: SMK
drawn by: MDS
issue date: 09-04-20

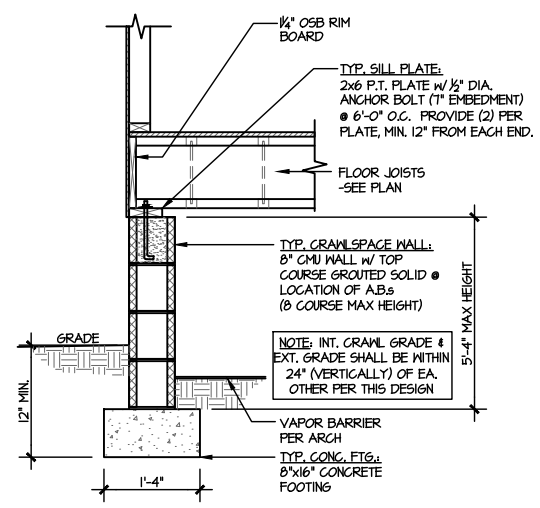
REVISIONS:
date: initial:



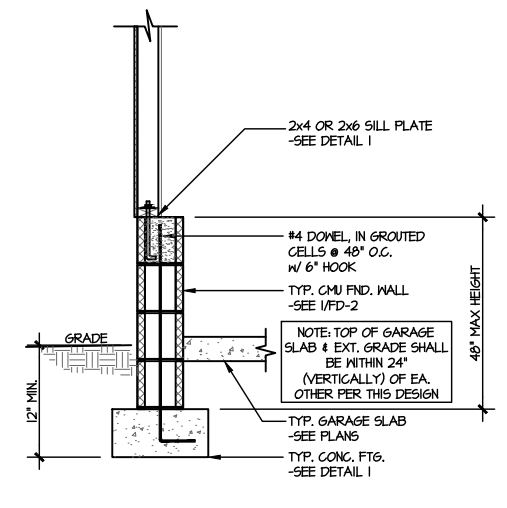
FOUNDATION DETAILS
TELFAIR
WIND SPEED < 115 MPH NORTH CAROLINA



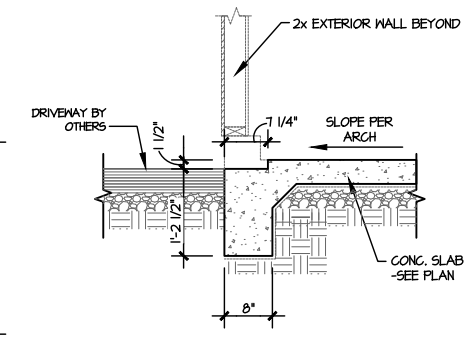
MULHERN+KULP
RESIDENTIAL STRUCTURAL ENGINEERING
300 Bechtel Ave, Building 4 - Asheville, PA, 18002
P: 212-695-0811 - mulhern@mkulpe.com
NC License # C-3825



1 TYPICAL CRAWLSPACE FOUNDATION
SCALE: 3/8"=1'-0"

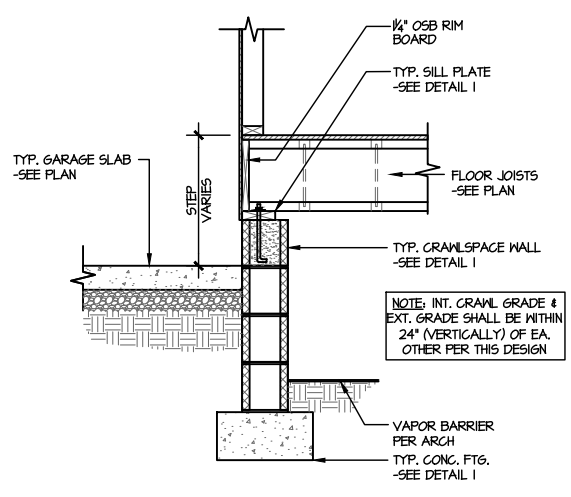


3 TYPICAL PERIMETER FOOTING @ EXTERIOR GARAGE WALL
SCALE: 3/8"=1'-0"

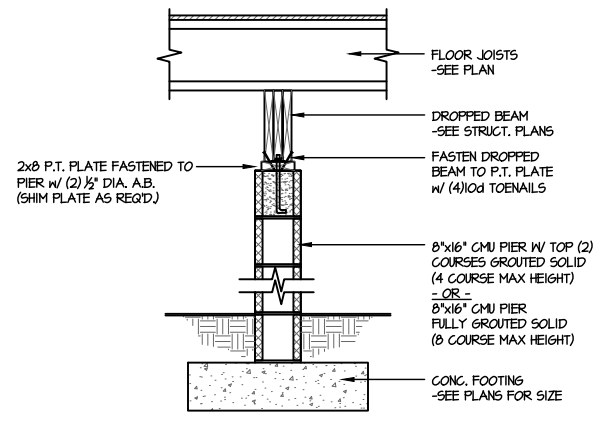


4 TYPICAL TURNDOWN FOOTING AT EXTERIOR GARAGE APRON
SCALE: 3/8"=1'-0"

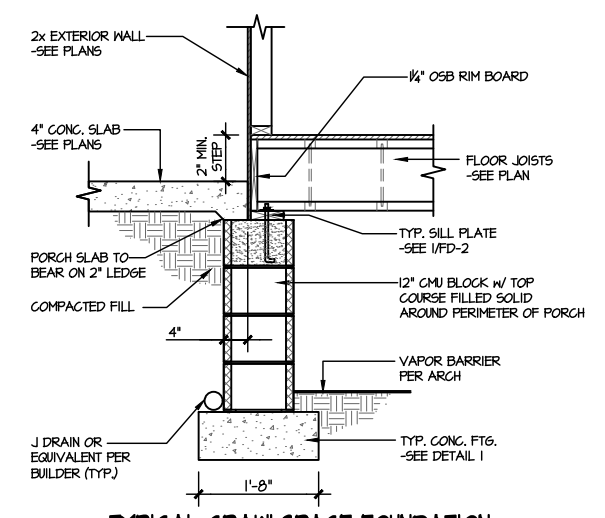
2 NOT USED
SCALE: 3/8"=1'-0"



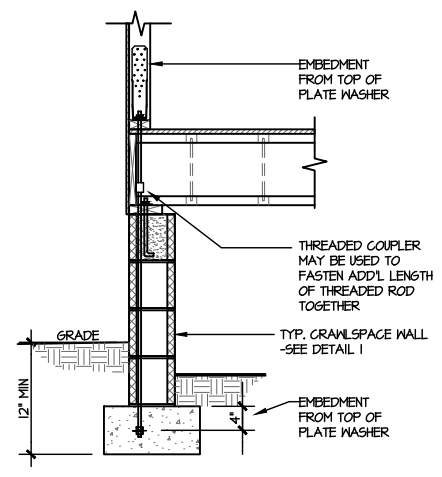
5 TYPICAL CRAWLSPACE FOUNDATION @ INTERIOR GARAGE WALL
SCALE: 3/8"=1'-0"



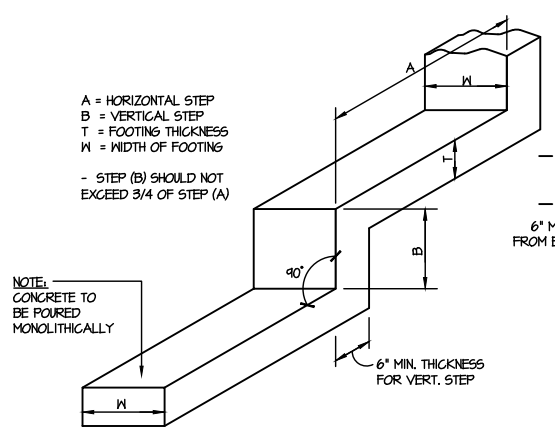
6 TYPICAL CRAWLSPACE FOUNDATION @ INTERIOR PIER
SCALE: 3/8"=1'-0"



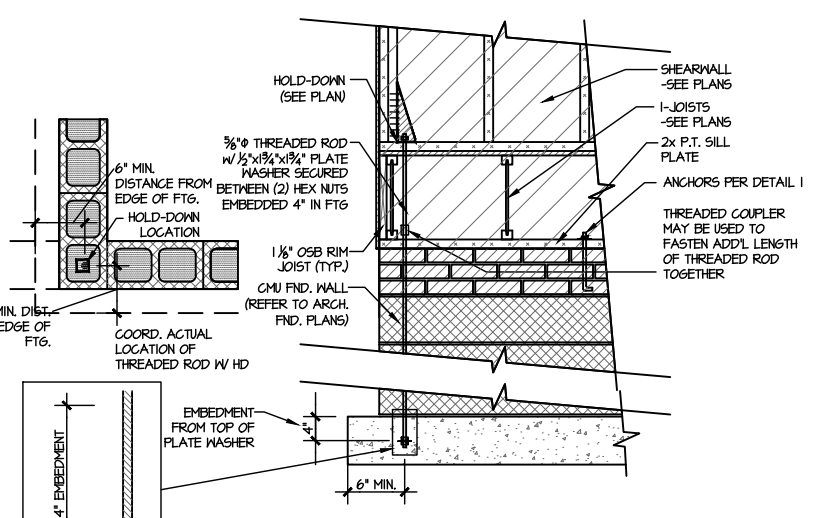
7 TYPICAL CRAWLSPACE FOUNDATION @ PORCH SLAB
SCALE: 3/8"=1'-0"



A TYPICAL CRAWLSPACE FOUNDATION HOLD-DOWN INSTALLATION
SCALE: 3/8"=1'-0" w/ STONE VENEER OR SIDING



B TYPICAL STEPPED FOOTING DETAIL
SCALE: NTS

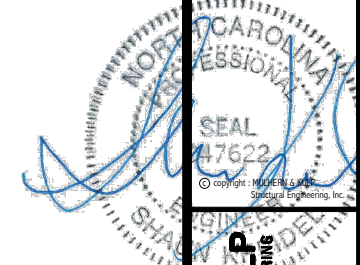


C TYPICAL CMU FOUNDATION HOLD-DOWN INSTALLATION
SCALE: 3/8"=1'-0" (CORNER SHOWN - APPLICABLE TO ALL CONDITIONS)

MS&K project number: 192-17017
project mgr: SMK
drawn by: MDS
issue date: 09-04-20
REVISIONS:
date: initial:
ARCH: v.01.01.00.00



FOUNDATION DETAILS
TELFAIR
WIND SPEED < 115 MPH NORTH CAROLINA



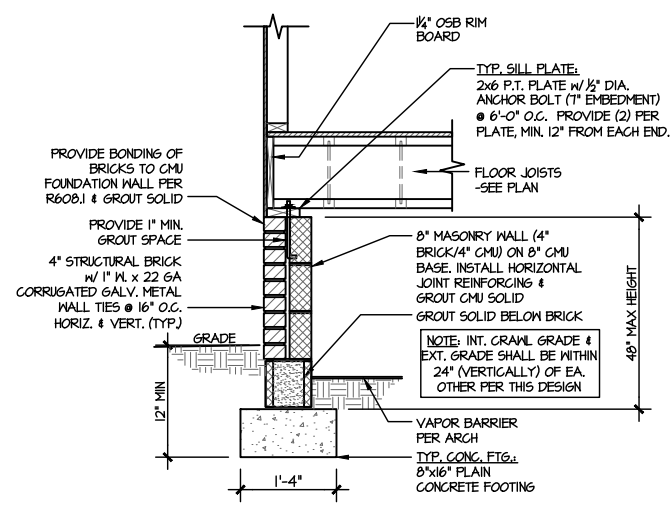
MULHERN+KULP
RESIDENTIAL STRUCTURAL ENGINEERING
300 Bluebirds Ave., Building 4 - Asheville, PA 18002
P: 212-605-0011 - mulhern@mulhernkulp.com
NC License # C-3825



MSK project number:
192-17017
project mgr: SMK
drawn by: MDS
issue date: 09-04-20
REVISIONS:
date: initial:
ARCH: v.01.01.00.00

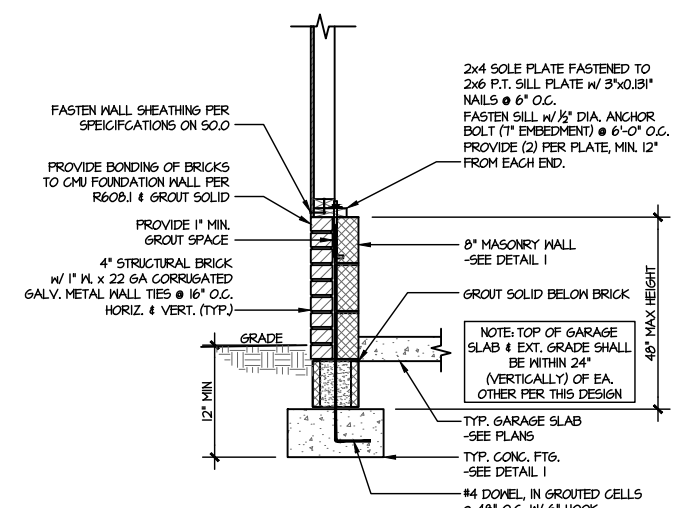


FOUNDATION DETAILS
TELFAIR
WIND SPEED < 115 MPH NORTH CAROLINA



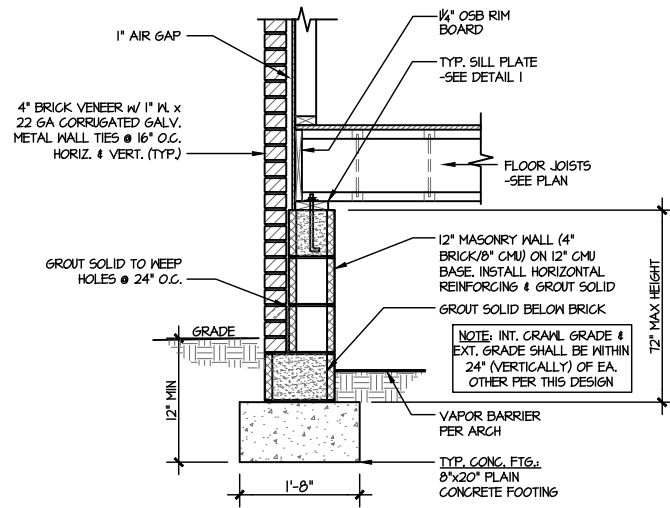
1 TYPICAL CRAWLSPACE FOUNDATION
SCALE: 3/8"=1'-0"
w/ BRICK WATERTABLE

2 NOT USED
SCALE: 3/8"=1'-0"



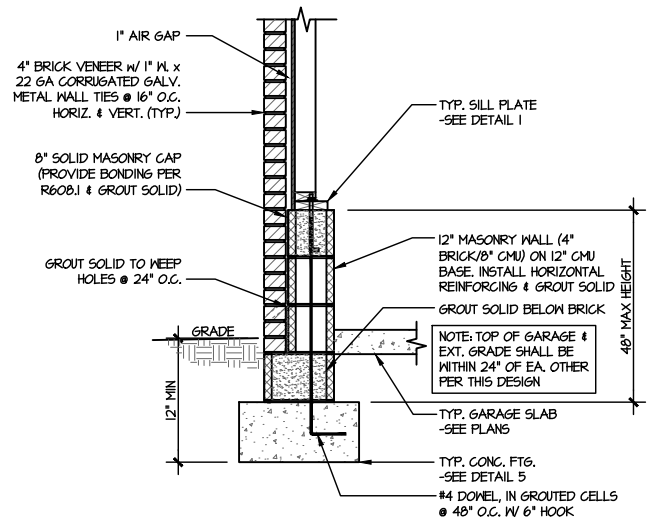
3 TYPICAL CRAWLSPACE FOUNDATION
@ EXTERIOR GARAGE WALL
SCALE: 3/8"=1'-0"
w/ BRICK WATERTABLE

4 NOT USED
SCALE: 3/8"=1'-0"



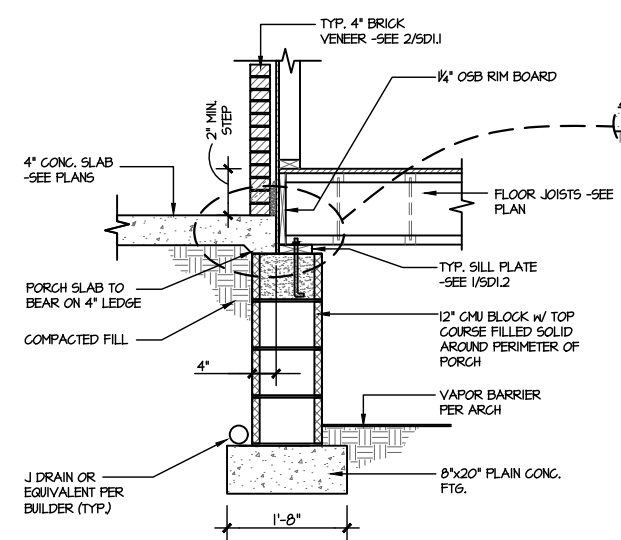
5 TYPICAL CRAWLSPACE FOUNDATION
SCALE: 3/8"=1'-0"
w/ FULL BRICK VENEER

6 NOT USED
SCALE: 3/8"=1'-0"

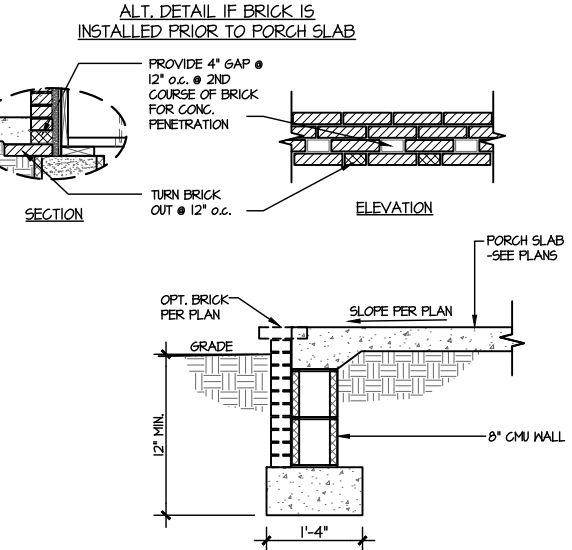


7 TYPICAL CRAWLSPACE FOUNDATION
@ EXTERIOR GARAGE WALL
SCALE: 3/8"=1'-0"
w/ FULL BRICK VENEER

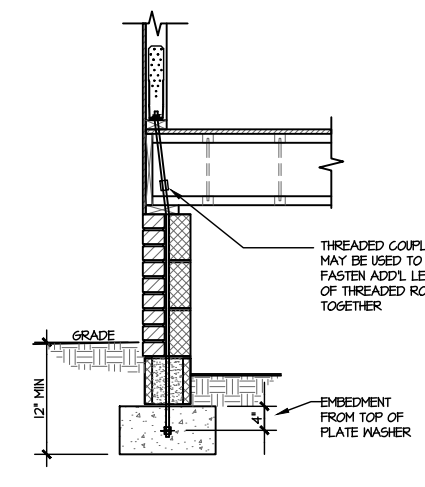
8 NOT USED
SCALE: 3/8"=1'-0"



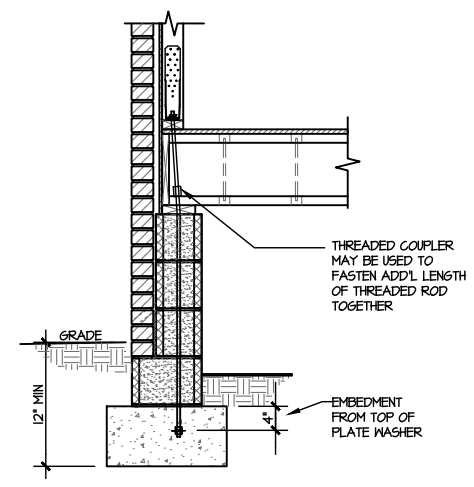
9 TYPICAL CRAWLSPACE FOUNDATION
@ PORCH/PATIO SLAB
SCALE: 3/8"=1'-0"
w/ BRICK VENEER



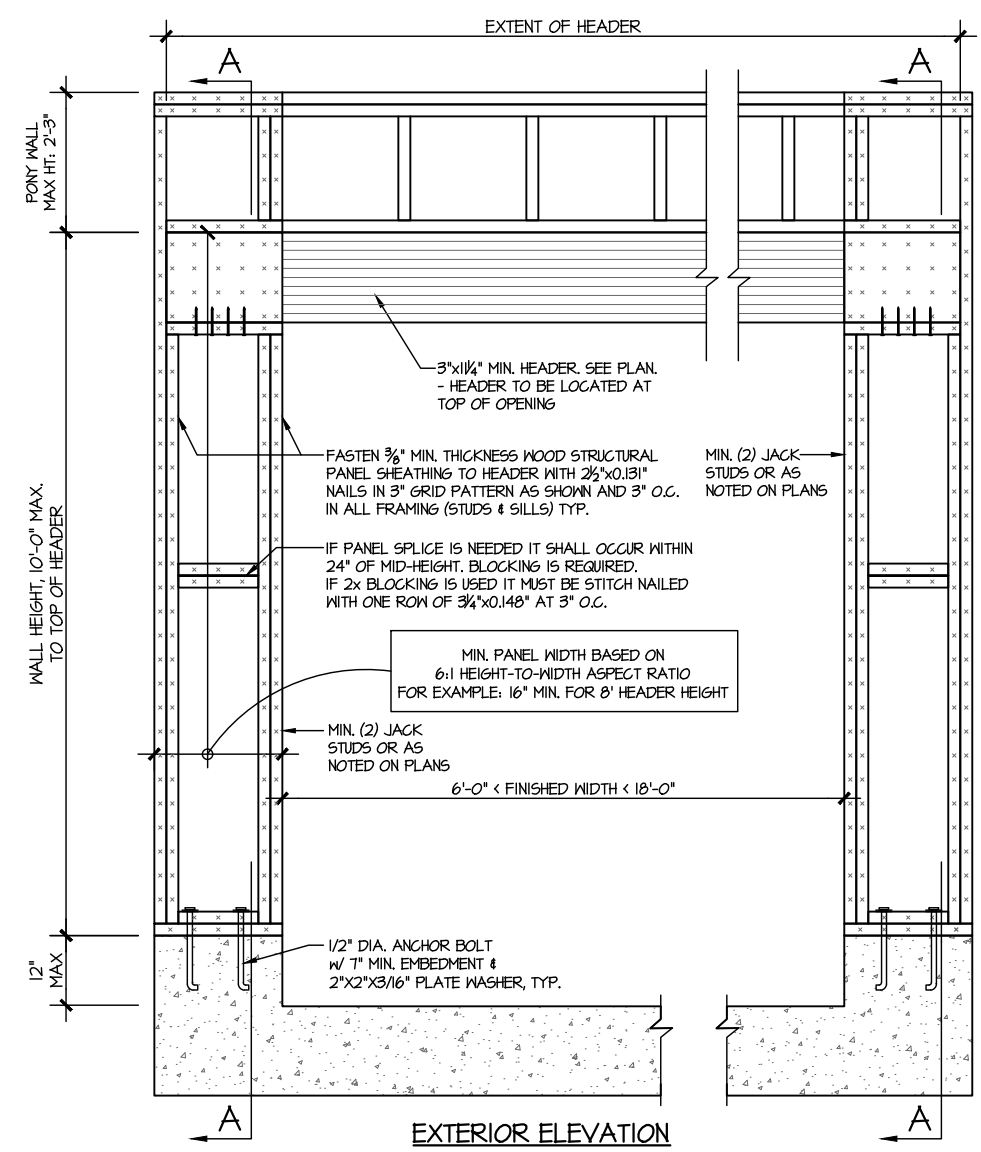
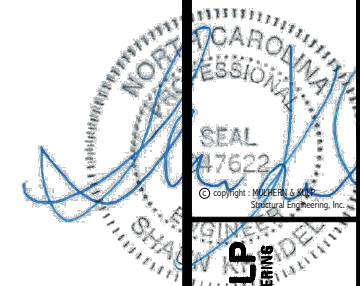
10 TYPICAL FOOTING @ PORCH SLAB
SCALE: 3/8"=1'-0"



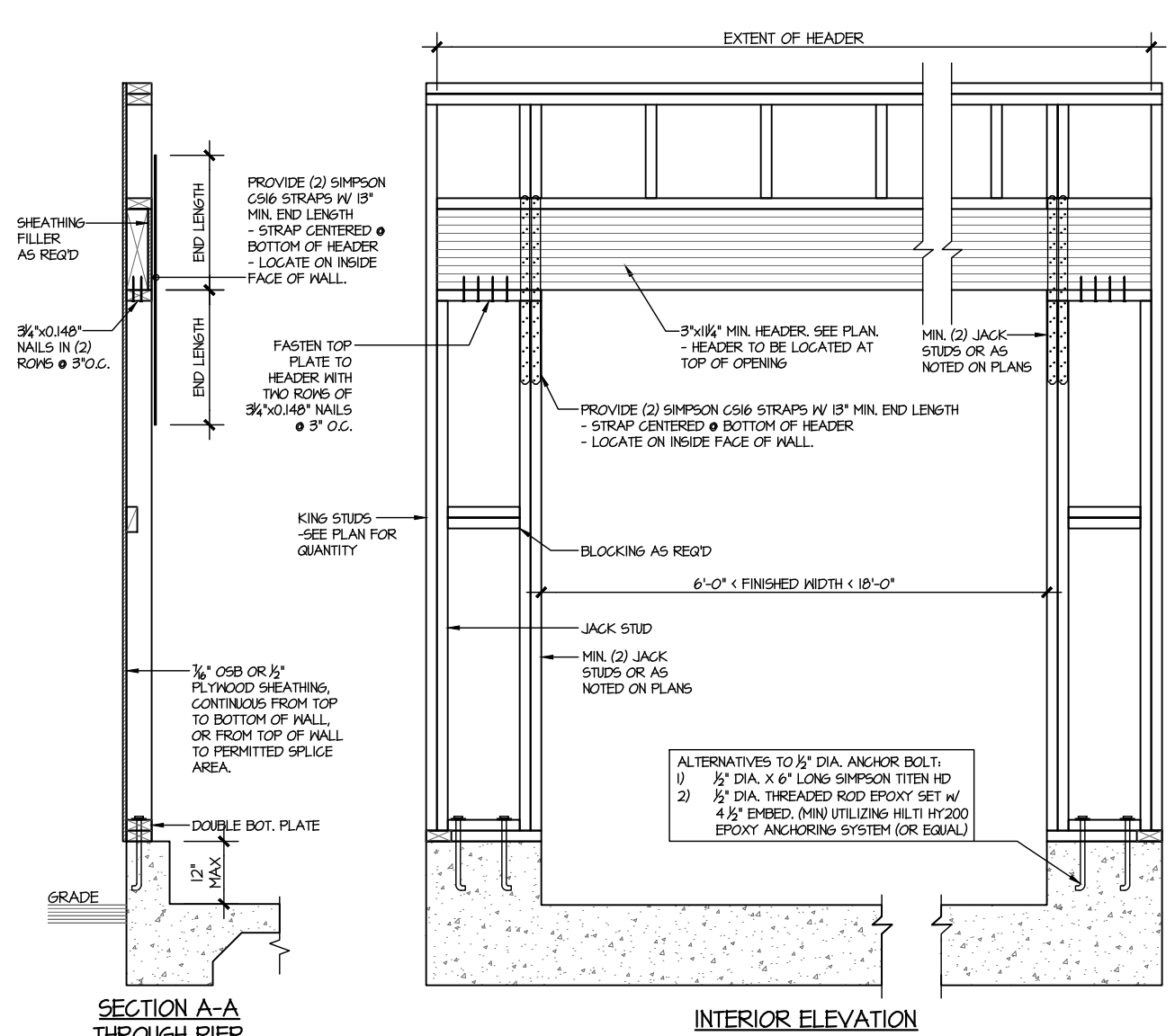
D TYPICAL CRAWLSPACE FOUNDATION
HOLD-DOWN INSTALLATION
SCALE: 3/8"=1'-0"
w/ BRICK WATERTABLE



E TYPICAL CRAWLSPACE FOUNDATION
HOLD-DOWN INSTALLATION
SCALE: 3/8"=1'-0"
w/ FULL BRICK VENEER

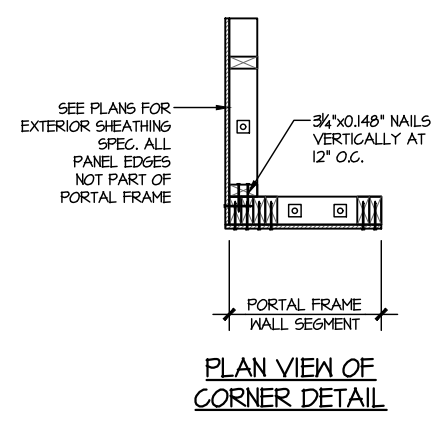


EXTERIOR ELEVATION

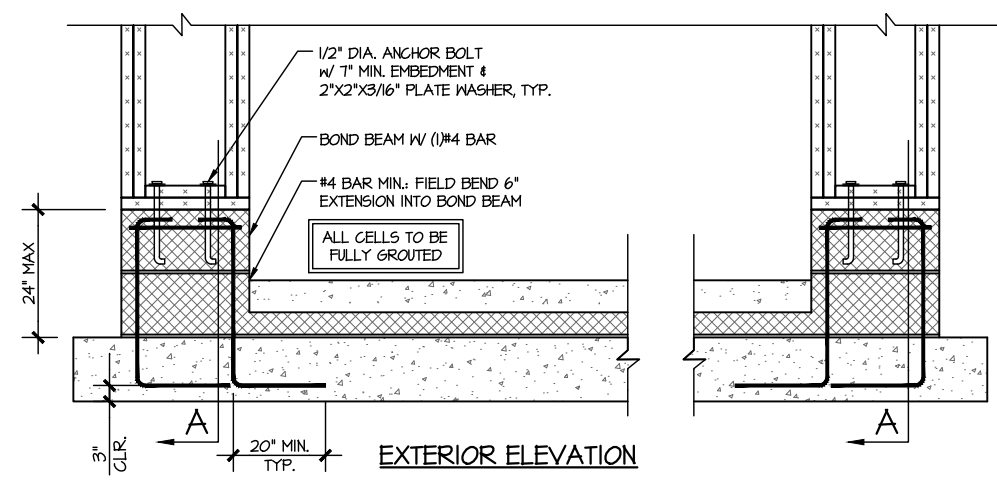


SECTION A-A THROUGH PIER
MONOSLAB FOUNDATION

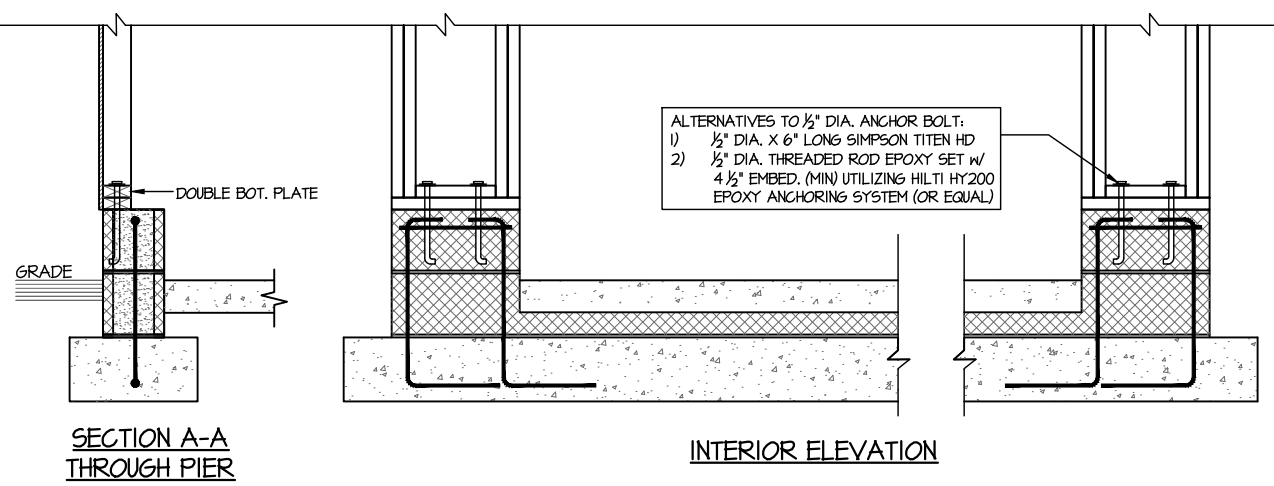
WALL FRAMING SPECIFICATION:
 • 2x4 WALL: USE SP/SPF #2 GRADE STUDS (OR BETTER)
 • 2x6 WALL: USE SP/SPF #2 GRADE STUDS (OR BETTER)



PLAN VIEW OF CORNER DETAIL

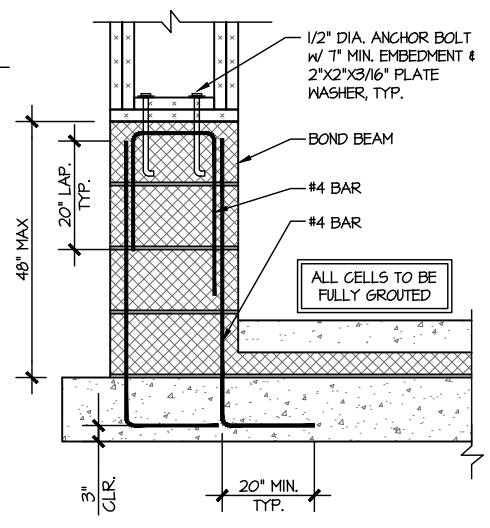


EXTERIOR ELEVATION



SECTION A-A THROUGH PIER

INTERIOR ELEVATION



STEM ≤ 48" TALL

1 PORTAL FRAME DETAIL
SCALE: N.T.S.

BOTH SIDES OF GARAGE DOOR
1 KING STUD & RETURN WALLS

MSK project number: 192-17017
 project mgr: SMK
 drawn by: MDS
 issue date: 09-04-20

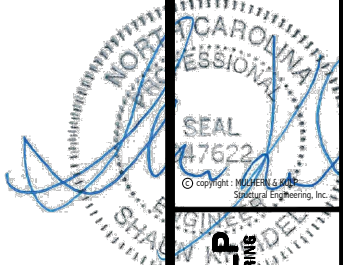
REVISIONS:
 date: initial:

ARCH: v.01.01.00.00



STRUCTURAL DETAILS
 TELFAIR
 WIND SPEED < 115 MPH NORTH CAROLINA

sheet: SW-2

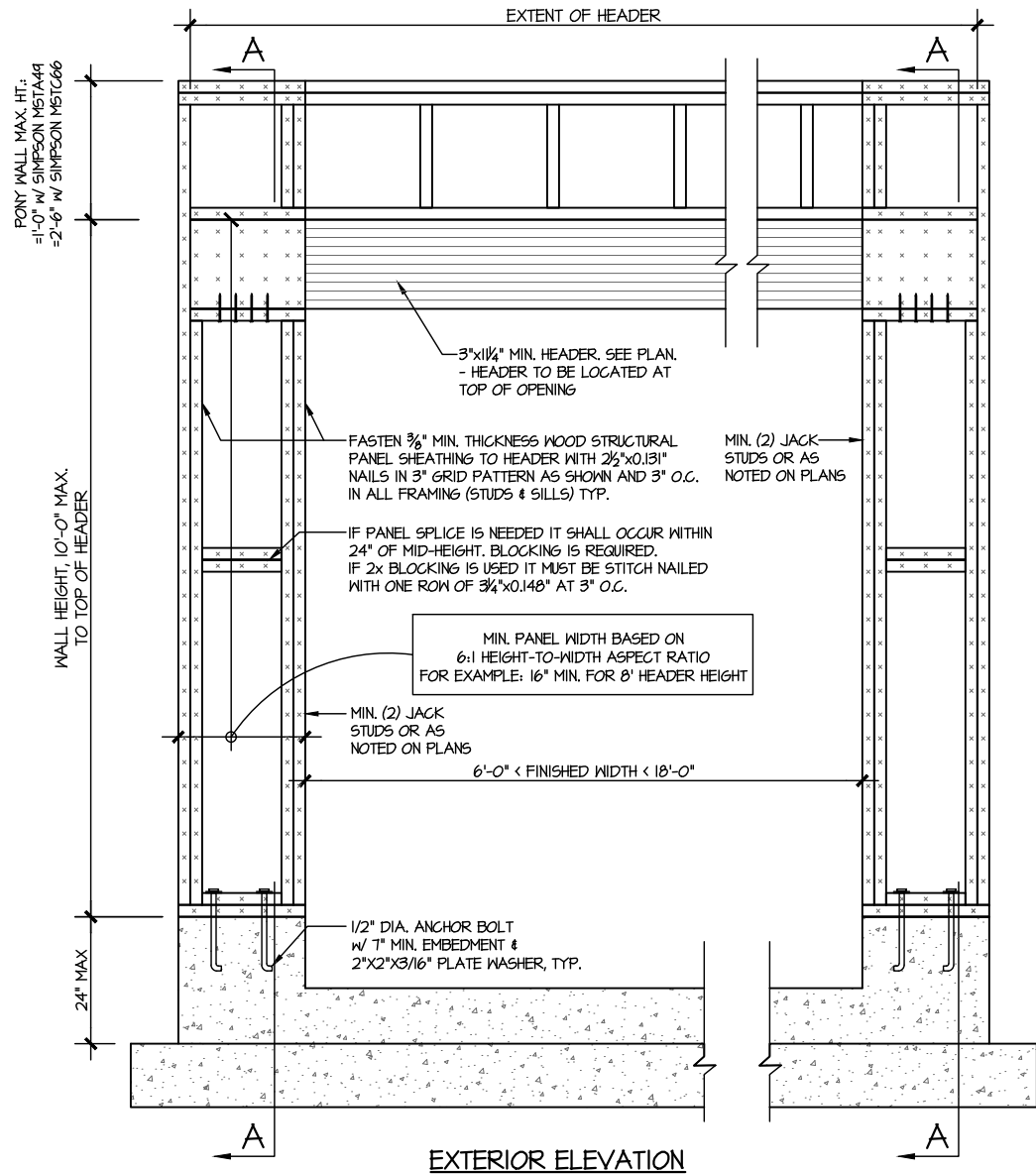


MULHERN+KULP
RESIDENTIAL STRUCTURAL ENGINEERING
300 Reynolds Ave., Building 4 - Asheville, PA, 18002
P: 212-605-8001 - mulhern@mulhernkulp.com
NC License # C-3825

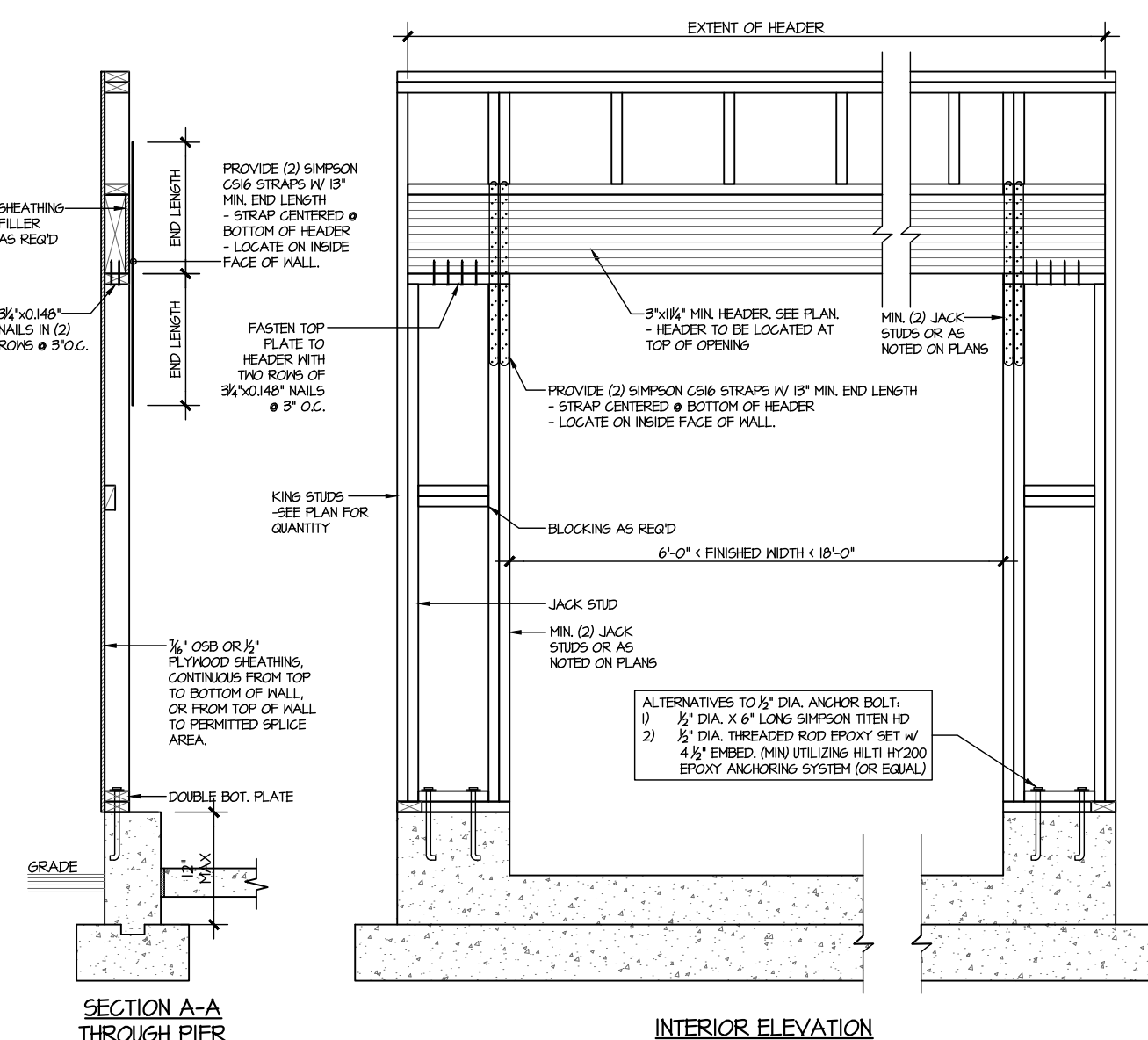
M&K project number:
192-17017
project mgr: **SMK**
drawn by: **MDS**
issue date: **09-04-20**
REVISIONS:
date: initial:
ARCH: v.01.01.00.00



STRUCTURAL DETAILS
TELFAIR
WIND SPEED < 115 MPH NORTH CAROLINA

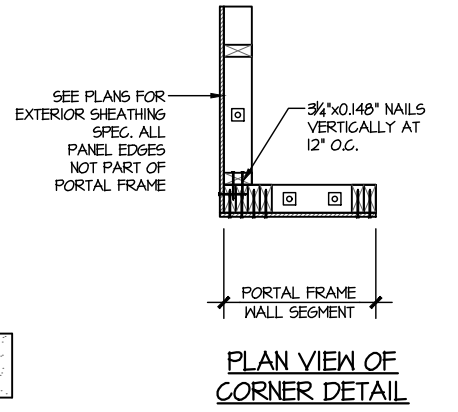


EXTERIOR ELEVATION

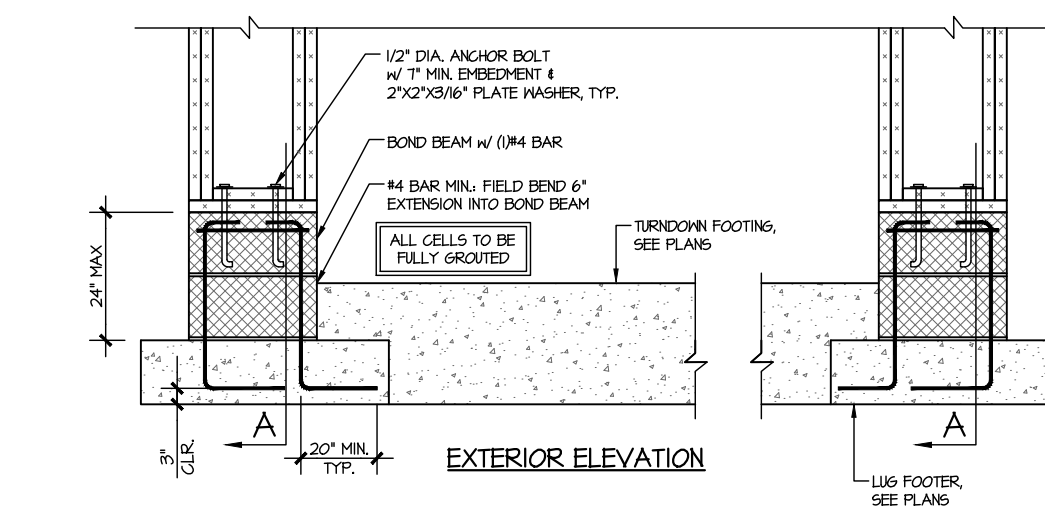


SECTION A-A THROUGH PIER
BASEMENT FOUNDATION

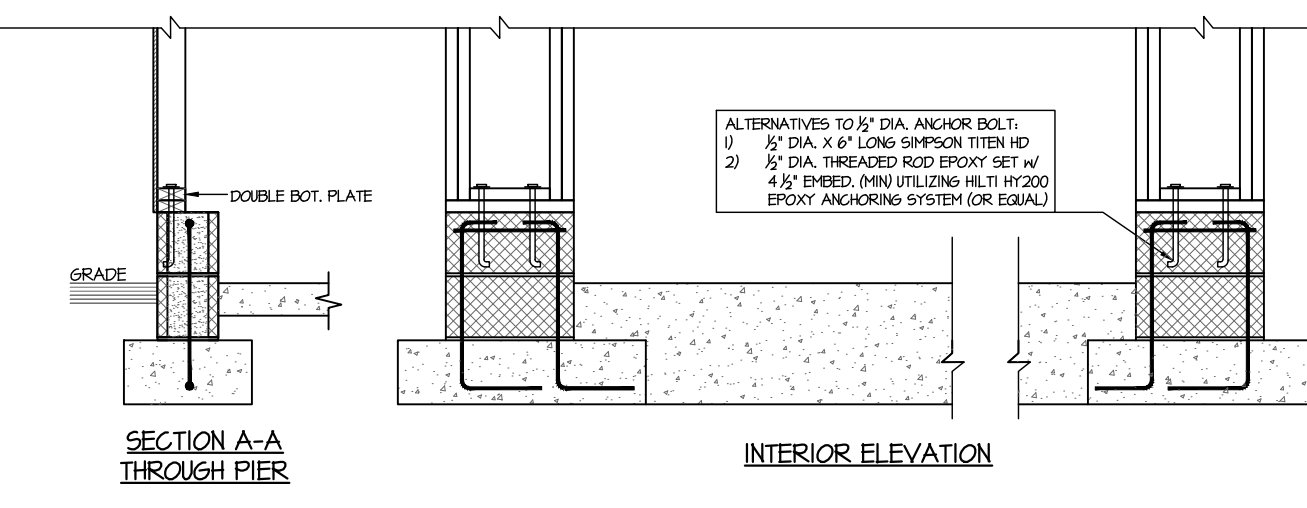
WALL FRAMING SPECIFICATION:
• 2x4 WALL: USE SP/SPF #2 GRADE STUDS (OR BETTER)
• 2x6 WALL: USE SP/SPF #2 GRADE STUDS (OR BETTER)



PLAN VIEW OF CORNER DETAIL

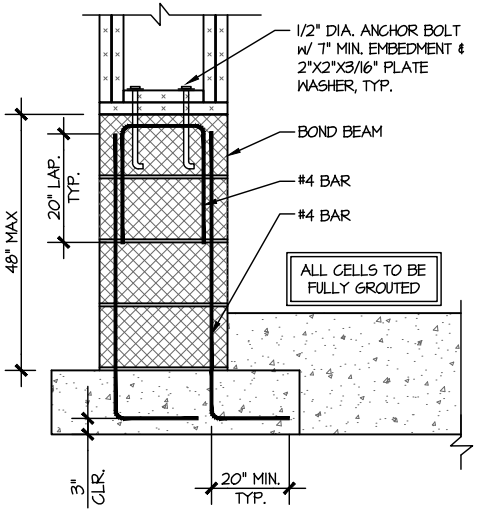


EXTERIOR ELEVATION



SECTION A-A THROUGH PIER
CRAWLSPACE FOUNDATION

ALTERNATIVES TO 1/2" DIA. ANCHOR BOLT:
1) 1/2" DIA. X 6" LONG SIMPSON TITEN HD
2) 1/2" DIA. THREADED ROD EPOXY SET W/ 4 1/2" EMBED. (MIN UTILIZING HILTI HY200 EPOXY ANCHORING SYSTEM (OR EQUAL))



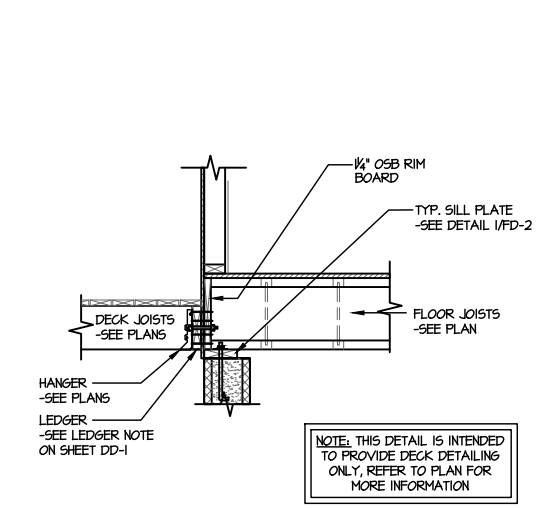
STEM HEIGHT > 24" & ≤ 48" TALL

1 PORTAL FRAME DETAIL
SCALE: N.T.S.

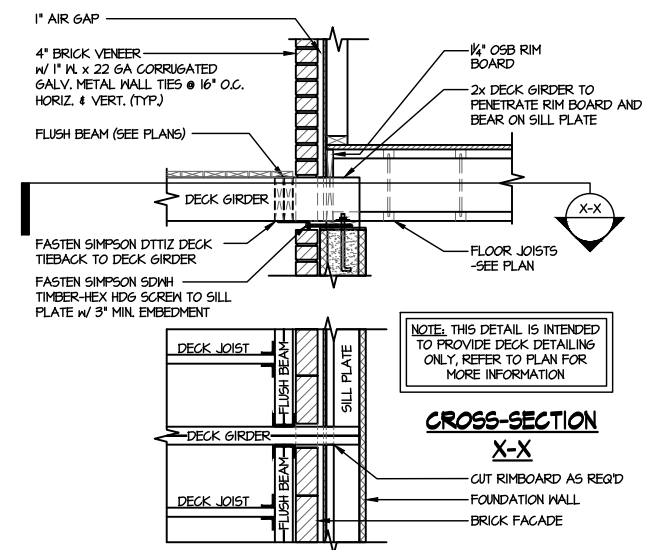
BOTH SIDES OF GARAGE DOOR
1 KING STUD & RETURN WALLS

LEDGER NOTE

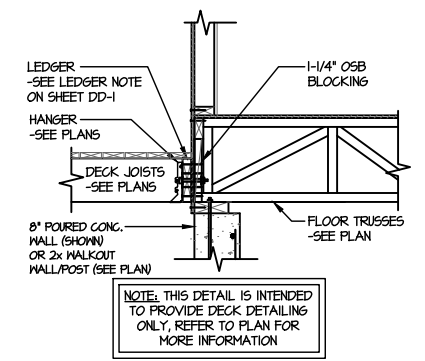
- LEDGER TO END TRUSSES:
-FASTEN 2x LEDGER (MATCH D.J.) TO END TRUSSES VERTICALS w/ (1) 1/2" DIA. THRU BOLT + (4) 2 1/2"x0.135" NAILS @ 16" O.C. PACK OUT END TRUSSES AS REQ'D FOR LEDGER FASTENING.
- LEDGER TO RIMBOARD/BLOCKING:
-FASTEN 2x LEDGER (MATCH D.J.) TO RIMBOARD/BLOCKING w/ (1) 1/2" DIA. THRU BOLT + (4) 2 1/2"x0.135" NAILS @ 16" O.C.
- PROVIDE (2) BOLTS IN END (2) JOIST BAYS @ EACH END OF DECK
- INSTALL (1) SIMPSON H3 CLIP ON LAST (2) DECK JOISTS @ EACH END OF DECK, CONNECTING SIDE OF JOIST TO TOP OF LEDGER (IRC R502.2.2)
- ALT. LEDGER SPEC:
FASTEN 2x10 LEDGER TO RIMBOARD w/ (2) 1/2" DIA. X 3 1/2" LONG SIMPSON SDS SCREWS @ 16" O.C.
- NOT APPLICABLE AT BRICK CONDITIONS



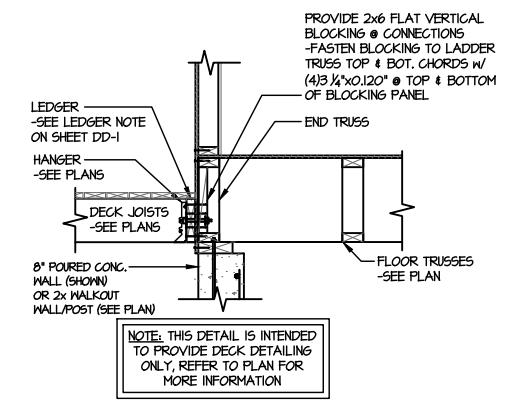
1 TYPICAL DECK CONNECTION @ CRAWLSPACE
SCALE: 3/8"=1'-0"



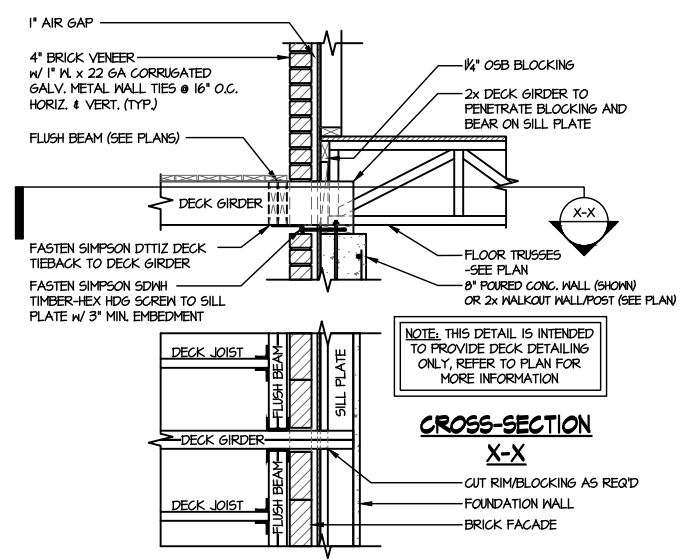
2 TYPICAL DECK CONNECTION @ CRAWLSPACE w/ BRICK
SCALE: 3/8"=1'-0"



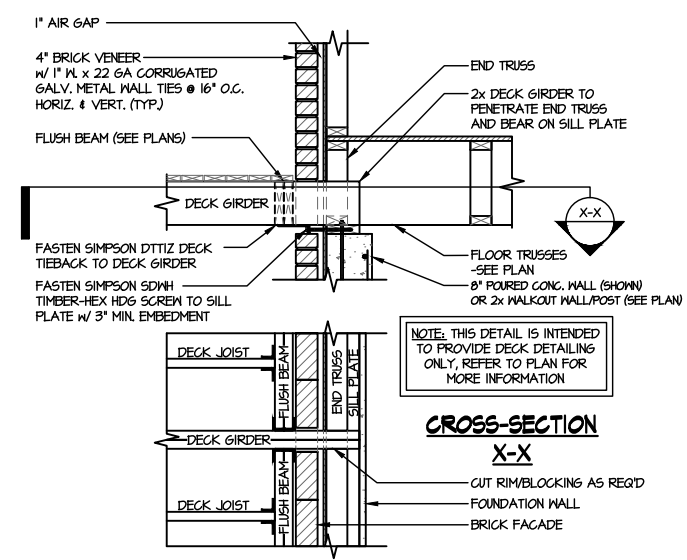
3 TYPICAL DECK CONNECTION @ BASEMENT
SCALE: 3/8"=1'-0" PERPENDICULAR FRAMING



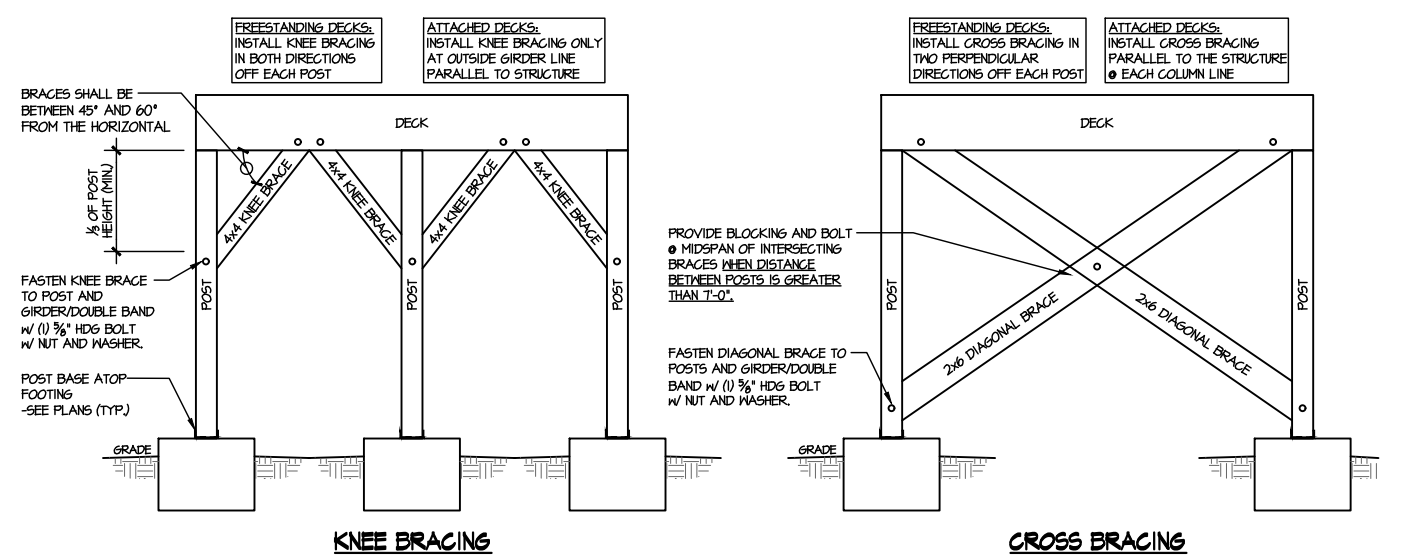
4 TYPICAL DECK CONNECTION @ BASEMENT
SCALE: 3/8"=1'-0" PARALLEL FRAMING



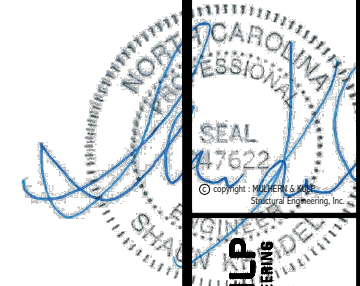
5 TYPICAL DECK CONNECTION @ BASEMENT w/ BRICK
SCALE: 3/8"=1'-0" PERPENDICULAR FRAMING



6 TYPICAL DECK CONNECTION @ BASEMENT w/ BRICK
SCALE: 3/8"=1'-0" PARALLEL FRAMING



A TYPICAL LATERAL BRACING DETAILS FOR DECKS GREATER THAN 4' HIGH
SCALE: 1/8"



MULHERN+KULP
RESIDENTIAL STRUCTURAL ENGINEERING
300 Bechtelville Ave., Building 4 - Asheville, NC 28802
P: 715-256-0811 - mulhern@mk.com
NC License # C-3825

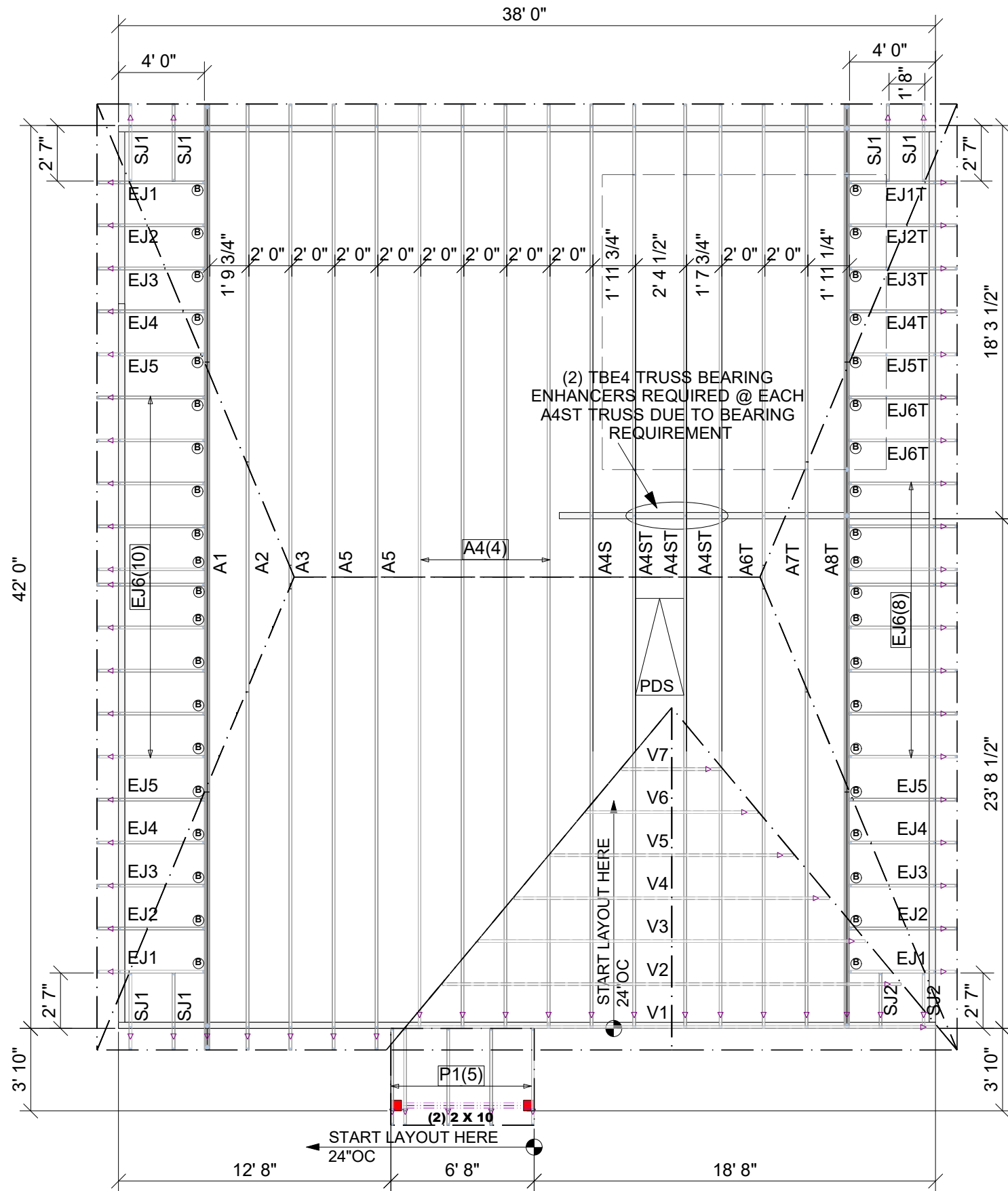
M&K project number: 192-17017
project mgr: SMK
drawn by: MDS
issue date: 09-04-20
REVISIONS:
date: initial:
ARCH: v.01.01.00.00



FOUNDATION DETAILS
TELFAIR
WIND SPEED < 115 MPH NORTH CAROLINA

THIS IS A TRUSS PLACEMENT DIAGRAM (TPD) ONLY; NOT AN ENGINEERED DOCUMENT. Trusses are designed as individual building components to be incorporated into the building design at the specification of the building designer. See individual truss design drawings (TDD's) for each truss design identified on the TPD. The Contractor is responsible for the temporary bracing of the roof and floor system, and requirements for the permanent restraint/bracing of truss systems may be met by following the methods outlined in ANSI-TPI 1-2014 - 2.3.3. The design of the support structure including but not limited to headers, beams, walls, and columns is also the responsibility of the building designer. For general guidance regarding installation and bracing, consult "Building Component Safety Information" (BCSI) available from the SBC Association (www.sbcassociation.com). It is the responsibility of the General Contractor to verify that the provided component layout matches the final intended construction plans, loading conditions, and use. If they do not, it is the responsibility of the General Contractor to notify UFP and provide plans containing the latest specifications and designs. UFP will not be responsible for plan changes by others after final approval of shop drawings, or for errors or modifications made on-site during construction. DO NOT CUT, NOTCH, DRILL, OR OTHERWISE "REPAIR" MANUFACTURED TRUSSES IN ANY WAY WITHOUT PRIOR WRITTEN AUTHORIZATION BY A LICENSED PROFESSIONAL DESIGNATED BY UFP. The Framing is responsible to verify all dimensions, including adjusting member spacing within tolerances to allow for the drop and rise of plumbing/HVAC, unless noted otherwise. Truss-to-wall connections, if shown, are for uplift only and do not consider lateral loads. All connectors on this project are to be installed per the connector manufacturer's specifications. All connectors shown that are not truss-to-truss are suggestions only and are to be verified by the Building Designer or Engineer of Record for suitability to this particular project. UFP accepts no responsibility for the specific application or suitability of any connector that is not truss-to-truss as they apply to this specific structure.

ROOF PLACEMENT PLAN



****NOTE****
 (4) LUS26 HANGERS TO BE USED @ PDS HEADERS (NOT SHOWN)
 ADD 2X4 BLOCKING IN FIELD FOR ROOF SHEATHING AND DRYWALL @ PULL DOWN STAIR AREA AS NEEDED

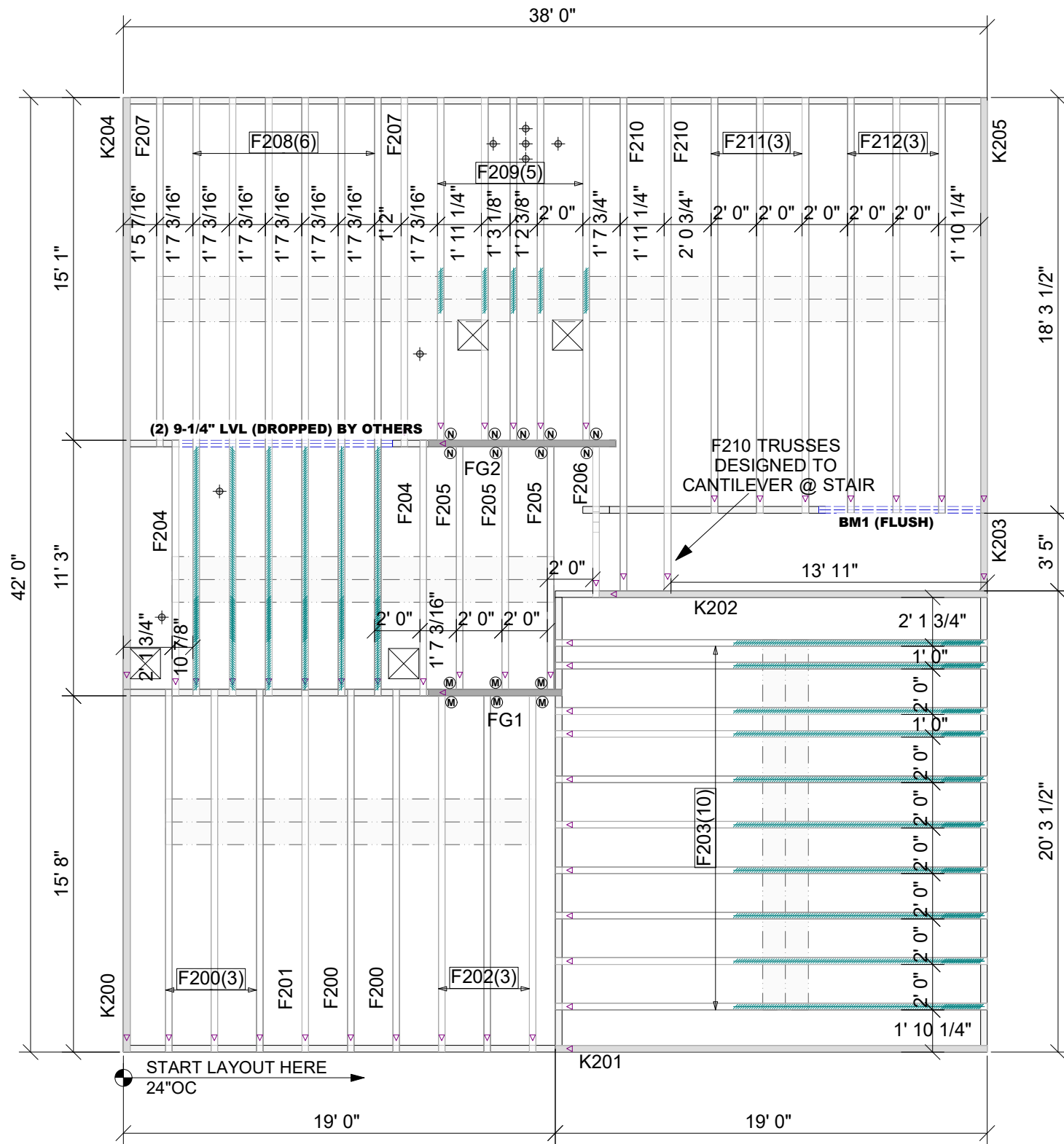
Roof Hanger List		
MARK	TYPE	QTY
(B)	LUS26	40

△ INDICATES LEFT END OF TRUSS SCALE: N.T.S

ROOF AREA: 2079.96 ft ² sqft	RIDGE LINE: 37.59 ft	VALLEY LINES: 43.53 ft	HIP LINES: 102.14 ft	THESE VALUES ARE APPROXIMATE ONLY																								
TELFAIR A ROOF		MUNGO HOMES																										
<table border="1"> <thead> <tr> <th>REVISIONS</th> <th>DATE</th> <th>DESCRIPTION</th> <th>DSN</th> </tr> </thead> <tbody> <tr><td> </td><td> </td><td> </td><td> </td></tr> <tr><td> </td><td> </td><td> </td><td> </td></tr> <tr><td> </td><td> </td><td> </td><td> </td></tr> <tr><td> </td><td> </td><td> </td><td> </td></tr> <tr><td> </td><td> </td><td> </td><td> </td></tr> </tbody> </table>					REVISIONS	DATE	DESCRIPTION	DSN																				
REVISIONS	DATE	DESCRIPTION	DSN																									
DESIGNER LJP LAYOUT DATE 11/06/2024 ARCH DATE - STRUC DATE -		UFP SITE BUILT A UFP INDUSTRIES COMPANY Burlington, NC Locust, NC Chesapeake, VA Liberty, NC Clinton, NC Ooltewah, TN Conway, SC Pearisburg, VA Jefferson, GA Stanfield, NC Customer Service (800) 476-9356																										

THIS IS A TRUSS PLACEMENT DIAGRAM (TPD) ONLY; NOT AN ENGINEERED DOCUMENT. Trusses are designed as individual building components to be incorporated into the building design at the specification of the building designer. See individual truss design drawings (TDD's) for each truss design identified on the TPD. The Contractor is responsible for the temporary bracing of the roof and floor system, and requirements for the permanent restraint/bracing of truss systems may be met by following the methods outlined in ANS-TP1 1-2014 - 2.3.3. The design of the support structure including but not limited to headers, beams, walls, and columns is also the responsibility of the building designer. For general guidance regarding installation and bracing, consult "Building Component Safety Information" (BCSI) available from the SBC Association (www.sbcassociation.com). It is the responsibility of the General Contractor to verify that the provided component layout matches the final intended construction plans, loading conditions, and use. If they do not, it is the responsibility of the General Contractor to notify UFP and provide plans containing the latest specifications and designs. UFP will not be responsible for plan changes by others after final approval of shop drawings, or for errors or modifications made on-site during construction. DO NOT CUT, NOTCH, DRILL, OR OTHERWISE "REPAIR" MANUFACTURED TRUSSES IN ANY WAY WITHOUT PRIOR WRITTEN AUTHORIZATION BY A LICENSED PROFESSIONAL DESIGNATED BY UFP. The Framing is responsible to verify all dimensions, including adjusting member spacing within tolerances to allow for the drop and rise of plumbing/HVAC, unless noted otherwise. Truss-to-wall connections, if shown, are for uplift only and do not consider lateral loads. All connectors on this project are to be installed per the connector manufacturer's specifications. All connectors shown that are not truss-to-truss are suggestions only and are to be verified by the Building Designer or Engineer of Record for suitability to this particular project. UFP accepts no responsibility for the specific application or suitability of any connector that is not truss-to-truss as they apply to this specific structure.

2ND FLOOR PLACEMENT PLAN



Products					
PlotID	Length	Product	Plies	Net Qty	Fab Type
BM1 (FLUSH)	8' 0"	1 3/4" x 9 1/4" 2.0E Microllam® LVL	2	2	MFD

Floor Hanger List		
MARK	TYPE	QTY
(M)	THA422	6
(N)	THAC422	9

△ INDICATES LEFT END OF TRUSS SCALE: N.T.S

ROOF AREA: 0 ft² sqft **RIDGE LINE: 0 ft** **VALLEY LINES: 0 ft** **HIP LINES: 0 ft** **THESE VALUES ARE APPROXIMATE ONLY**

REVISIONS	DATE	DESCRIPTION	DSN

DESIGNER LJP
LAYOUT DATE 11/06/2024
ARCH DATE -
STRUC DATE -

TELFAIR A & B 2ND FLR

MUNGO HOMES

UFP SITE BUILT
A UFP INDUSTRIES COMPANY

Burlington, NC Locust, NC
Chesapeake, VA Liberty, NC
Clinton, NC Ooltewah, TN
Conway, SC Pearisburg, VA
Jefferson, GA Stanfield, NC

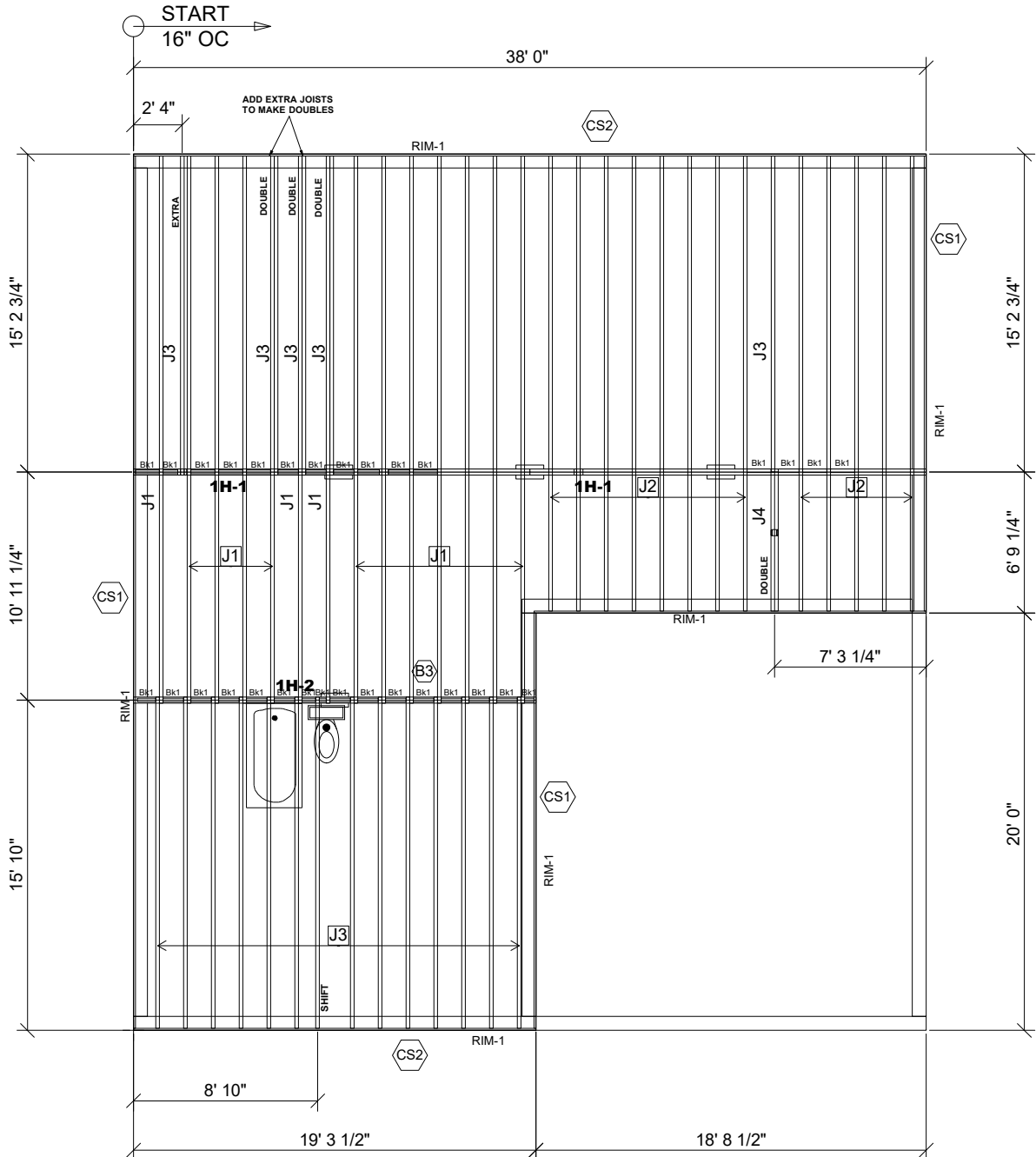
Customer Service (800) 476-9356

TRUSS TRAX
UPCONSTRUCTION

TrussTrax.com

This drawing is property of UFP Site Built, LLC. Any unauthorized use of this document without written permission is prohibited. UFP relinquishes ownership of delivered product upon delivery. Owner of product must obtain UFP's authorization prior to any alteration or modification of product. UFP will not be held responsible for any unauthorized modifications done or costs incurred without prior written authorization from UFP.

THIS IS AN ENGINEERED WOOD PRODUCT (EWP) MEMBER PLACEMENT DIAGRAM ONLY; NOT AN ENGINEERED DOCUMENT. EWP members are designed as individual building components to be incorporated into the building design at the specification of the building designer. The Contractor is responsible for the temporary bracing of the floor system, and the building designer is responsible for the permanent bracing and blocking of the floor system and the overall structure. The design of the support structure including but not limited to headers, beams, walls, and columns is also the responsibility of the building designer. It is the responsibility of the General Contractor to verify that the provided layout matches the final intended construction plans, loading conditions, and use. If they do not, it is the responsibility of the General Contractor to notify UFP and provide plans containing the latest specifications and designs. UFP will not be responsible for plan changes by others after final approval of shop drawings, or for errors or modifications made on-site during construction. DO NOT CUT, NOTCH, DRILL, OR OTHERWISE "REPAIR" EWP MEMBERS IN ANY WAY WITHOUT PRIOR WRITTEN AUTHORIZATION BY A LICENSED PROFESSIONAL DESIGNATED BY UFP. The Framer is responsible to verify all dimensions, including adjusting member spacing within tolerances to allow for the drop and rise of plumbing/HVAC, unless noted otherwise. All connectors on this project are to be installed per the connector manufacturer's specifications. All connectors shown that are not joist to joist are suggestions only and are to be verified by the Building Designer or Engineer of Record for suitability to this particular project. UFP accepts no responsibility for the specific application or suitability of any connector that is not joist to joist as they apply to this specific structure.



Products						
PlotID	Length	Product	Plies	Net Qty	Fab Type	
J1	27' 0"	11 7/8" TJ@ 210	1	14	MFD	
J2	22' 0"	11 7/8" TJ@ 210	1	13	MFD	
J3	16' 0"	11 7/8" TJ@ 210	1	19	MFD	
J4	7' 0"	11 7/8" TJ@ 210	2	2	MFD	
1H-1	38' 0"	1 3/4" x 9 1/4" 2.0E Microllam@ LVL	2	4	MFD	
1H-2	20' 0"	1 3/4" x 9 1/4" 2.0E Microllam@ LVL	2	2	MFD	
RIM-1	16' 0"	1 1/8" x 11 7/8" TJ@ Rim Board	1	11	MFD	
Bk1	2' 0"	11 7/8" TJ@ 210	1	31	FF	

Connector Summary		
PlotID	Qty	Manuf Product
H1	8	Simpson IUS2.06/11.88

• Avoid Plumbing Drops

FIELD LOCATE PLUMBING DROPS/CAN LIGHTS, ETC... PRIOR TO JOIST SECUREMENT TO AVOID INTERFERENCE.

LAYOUT FOR 19.2" O/C

1= 19-3/16"	9= 172-13/16"
2= 38-3/8"	10= 192"
3= 57-5/8"	11= 211-3/16"
4= 76-13/16"	12= 230-3/8"
5= 96"	13= 249-13/16"
6= 115-3/16"	14= 268-13/16"
7= 134-3/8"	15= 288"
8= 153-5/8"	

GENERAL NOTES:

- 1.) TOP CHORD OF JOISTS ARE PAINTED RED AT NUMBERED END. PLACE PAINTED END AS NOTED ON PLAN.
- 2.) FOLLOW SPECIAL SPACING AND LOCATION DIMENSIONS FOR EXTRAS OR SHIFTED JOISTS AS SHOWN ON PLAN.
- 3.) ALL INTERIOR WALL PLATES MUST BE LEVEL WITH OUTSIDE WALL TOP PLATES.
- 4.) DO NOT STACK CONSTRUCTION LOADS ON UN-BRACED JOISTS.
- 5.) PROVIDE SOLID SUPPORT BELOW ALL BEAM AND HEADER BEARING POINTS IN WALL AND JOIST SPACES CONTINUOUS DOWN TO THE FOUNDATION.
- 6.) LOCATE CRIPPLE STUDS IN JOIST SPACE DIRECTLY BELOW HEADER JACKS AT ALL FIRST FLOOR EXTERIOR DOOR LOCATIONS.
- 7.) INSTALL NAILS IN ALL HOLES PROVIDED IN JOIST HANGERS EXCEPT AT BOTTOM CHORD SEAT. PLACE A DAB OF GLUE IN THE HANGER SEAT BEFORE SETTING JOISTS.
- 8.) IMPORTANT NOTE! NO STRUCTURAL ANALYSIS OF CONVENTIONAL HEADERS HAS BEEN CONDUCTED IF NOT NOTED. THEY ARE CONSIDERED TO BE ADEQUATE TO SUPPORT THE APPLIED LOADS.

PLAN LEGEND

- 1B-, 2B-** *INDICATES BEAM ABOVE TOP PLATE (FLUSH WITH FLOOR SYSTEM)
 - H-, 1H-, GDH-** *INDICATES BEAM BELOW TOP PLATE (GROUPED BELOW FLOOR SYSTEM)
- *BEAMS MAY PROTRUDE ABOVE OR BELOW DECKING OR TOP PLATE RESPECTIVELY. REFER TO DETAIL IF BEAM IS A DIFFERENT DEPTH THAN FLOOR SYSTEM
- SINGLE PLY BEAM** - INDICATE LINE FOR EACH ADDITIONAL PLY
 - SHIFT** - SHIFT JOIST TO MISS PLUMBING, ALIGN WITH WALL OR SUPPORT FURNITURE
 - EXTRA** - A JOIST ADDED TO THE LAYOUT IN ADDITION TO THE ON CENTER JOISTS
 - DOUBLE** - TWO JOISTS SIDE BY SIDE (ONLY ASSEMBLED IF NOTED)
- ALL DIMENSIONS TO CENTERLINE UNLESS OTHERWISE NOTED**

FRAMER NOTE

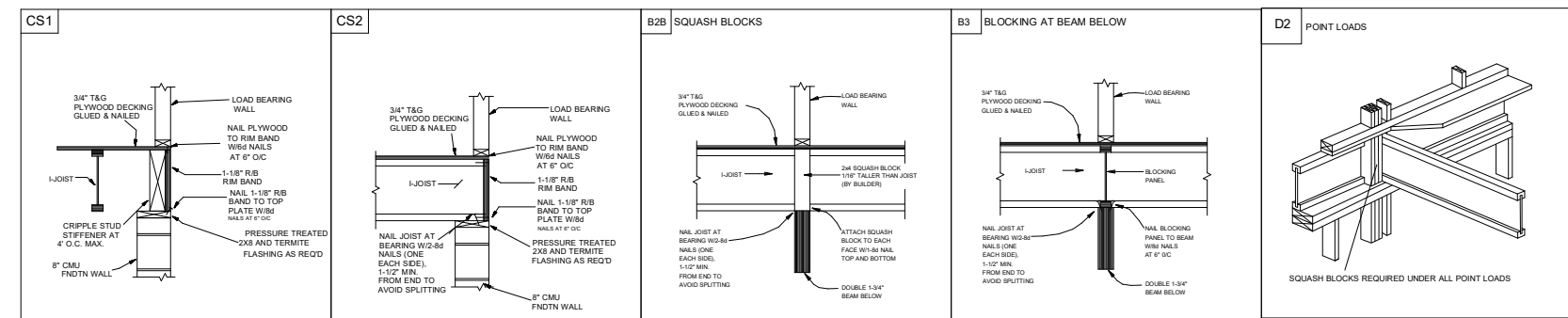
1. GLUE AND NAIL PLYWOOD SUBFLOOR TO BEAMS AND GIRDERS AT 6" O/C WHERE NO WALL IS ABOVE.
2. FILL HANGER SEAT WITH GLUE BEFORE SETTING JOIST IN HANGER. FILL ROUND HOLES WITH NAILS.

CRITICAL !!

INSTALL 2X4 SQUASH BLOCKS IN FLOOR TRUSS SPACE BELOW ALL EXTERIOR DOOR HEADER JACKS. CUT 1/16" TALLER THAN TRUSS.

FIELD VERIFY DIMENSIONS TO JOISTS LOCATED UNDER WALLS!!

1ST FLOOR LAYOUT



1ST FLOOR PLACEMENT PLAN

SCALE: 1/8"=1'

UFP SITE BUILT
A UFP INDUSTRIES COMPANY

Burlington, NC
Chesapeake, VA
Clinton, NC
Conway, SC
Jefferson, GA

Locust, NC
Liberty, NC
Ooltewah, TN
Pearisburg, VA
Stanfield, NC

Customer Service (800) 476-9356



This drawing is property of UFP Site Built, LLC. Any unauthorized use of this document without written permission is prohibited. UFP relinquishes ownership of delivered product upon delivery. Owner of product must obtain UFP's authorization prior to any alteration or modification of product. UFP will not be held responsible for any unauthorized modifications done or costs incurred without prior written authorization from UFP.

MUNGO HOMES OF NC

LANGDON PRESERVE

TELFAIR

ANGIER, NC

REVISIONS	DATE	DESCRIPTION	DSN

DESIGNER GB1
 LAYOUT DATE 11/13/2024
 ARCH DATE 9/6/24
 STRUCT DATE 9/6/24
 JOB #: 24102302F1