



ROOF & FLOOR TRUSSES & BEAMS

Reilly Road Industrial Park
Fayetteville, N.C. 28309
Phone: (910) 864-8787
Fax: (910) 864-4444

Bearing reactions less than or equal to 3000# are deemed to comply with the prescriptive Code requirements. The contractor shall refer to the attached Tables (derived from the prescriptive Code requirements) to determine the minimum foundation size and number of wood studs required to support reactions greater than 3000# but not greater than 15000#. A registered design professional shall be retained to design the support system for any reaction that exceeds those specified in the attached Tables. A registered design professional shall be retained to design the support system for all reactions that exceed 15000#.

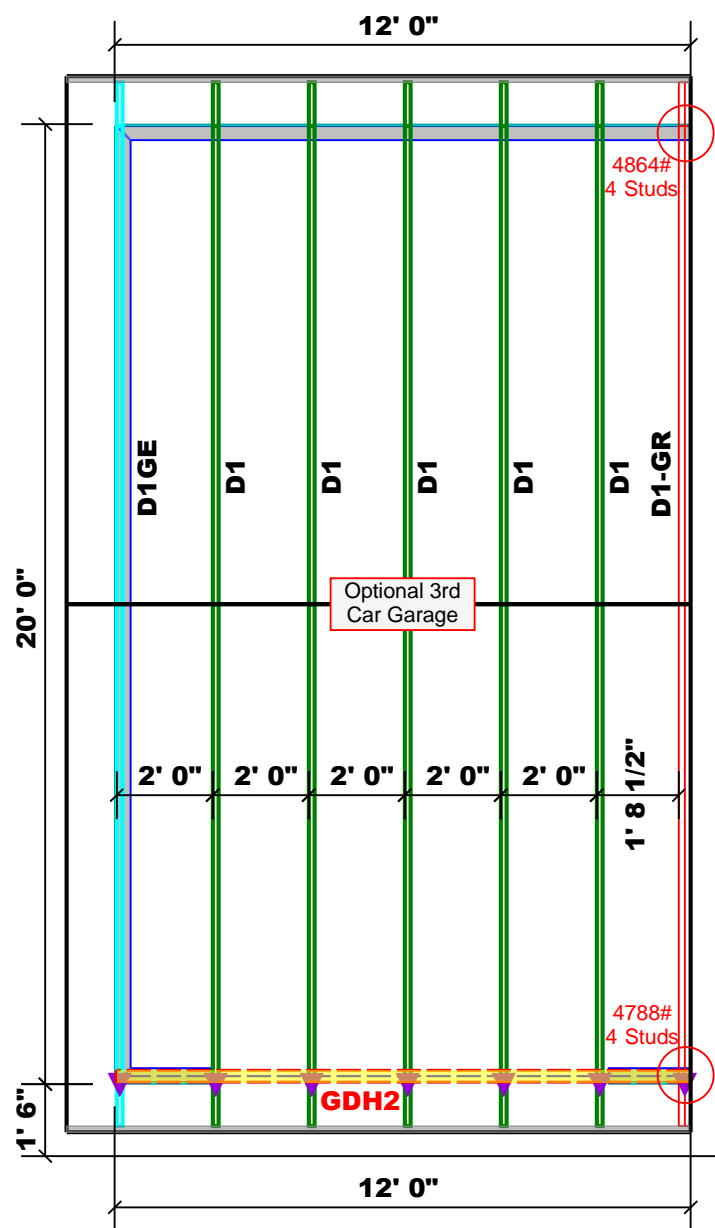
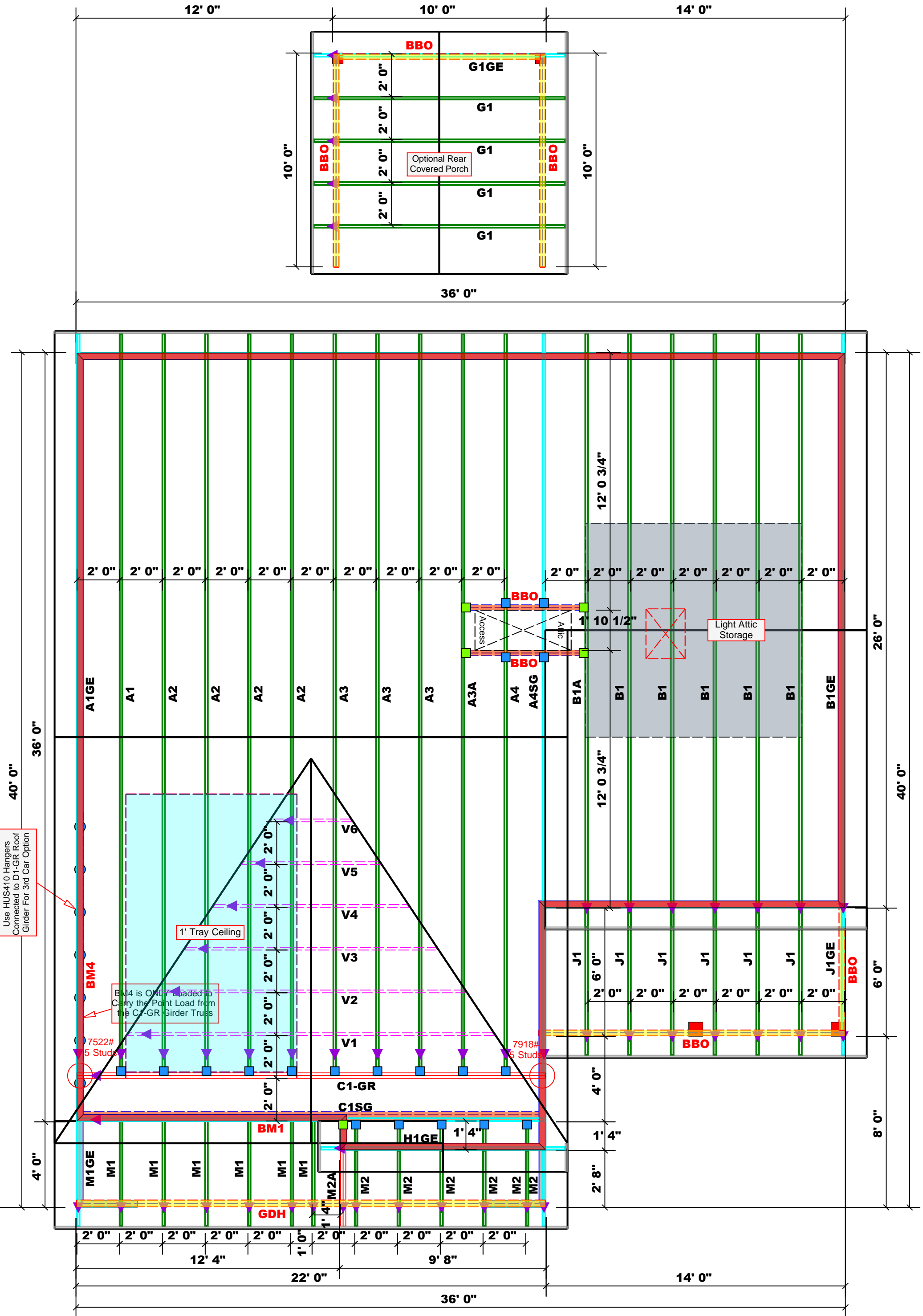
Signature David Landry
David Landry

LOAD CHART FOR JACK STUDS

(BASED ON TABLES R502.5(1) & (b))

NUMBER OF JACK STUDS REQUIRED @ EA END OF HEADER/GIRDER

END REACTION (UP TO)	REQ. STUDS FOR (1) FT. HEADER	END REACTION (UP TO)	REQ. STUDS FOR (1) FT. HEADER	END REACTION (UP TO)	REQ. STUDS FOR (1) FT. HEADER
1700	1	2550	1	3400	1
3400	2	5100	2	6800	2
5100	3	7650	3	10200	3
6800	4	10200	4	13600	4
8500	5	12750	5	17000	5
10200	6	15300	6		
11900	7				
13600	8				
15300	9				



Use HUS410 Hangers Connected to D1-GR Roof Girder For 3rd Car Option

BM4 is Only Loaded to Carry the Point Load from the C1-GR Girder Truss

Dimension Notes

- All exterior wall to wall dimensions are to face of sheathing unless noted otherwise
- All interior wall dimensions are to face of frame wall unless noted otherwise
- All exterior wall to truss dimensions are to face of frame wall unless noted otherwise

All Walls Shown Are Considered Load Bearing

Roof Area = 2211.85 sq.ft.
Ridge Line = 83.75 ft.
Hip Line = 0 ft.
Horiz. OH = 189.58 ft.
Raked OH = 233.07 ft.
Decking = 76 sheets

Hatch Legend

- Padded HVAC
- Tray Ceiling
- 2nd Floor Walls
- Drop Beam

Connector Information					Nail Information	
Sym	Product	Manuf	Qty	Supported Member	Header	Truss
	HUS26	USP	19	NA	16d/3-1/2"	16d/3-1/2"
	THD26-2	USP	5	NA	16d/3-1/2"	10d/3"

Products					
PlotID	Length	Product	Ply	Net Qty	
BM1	22' 0"	1-3/4" x 16" LVL Kerto-S	3	3	
BM2	15' 0"	1-3/4" x 16" LVL Kerto-S	3	3	
BM3	7' 0"	1-3/4" x 9-1/4" LVL Kerto-S	2	2	
BM4	14' 0"	1-3/4" x 9-1/4" LVL Kerto-S	2	2	
GDH	22' 0"	1-3/4" x 11-7/8" LVL Kerto-S	2	2	

1 Truss Placement Plan
Scale: 1/4"=1'

BUILDER	JOB NAME	PLAN	SEAL DATE	QUOTE #	JOB #
Weaver Homes, Inc.	Lot 16 West Preserve	Brinkley "C" / 3GRF, CP	N/A		J1224-6809
CITY / CO.	Sanford / Harnett	ADDRESS	290 Boyce Court	MODEL	Roof
DATE REV.	12/18/24	DRAWN BY	David Landry	SALES REP.	Lenny Norris

= Indicates Left End of Truss
(Reference Engineered Truss Drawing)
Do NOT Erect Truss Backwards

THIS IS A TRUSS PLACEMENT DIAGRAM ONLY. These trusses are designed as individual building components to be incorporated into the building design at the specification of the building designer. See individual design sheets for each truss design identified on the placement drawing. The building designer is responsible for temporary and permanent bracing of the roof and floor system and for the overall structure. The design of the truss support structure including headers, beams, walls, and columns is the responsibility of the building designer. For general guidance regarding bracing, consult BCSI-B1 and BCSI-B3 provided with the truss delivery package or online @ sbcindustry.com

RE: J1224-6809
 Lot 16 West Preserve

Trenco
 818 Soundside Rd
 Edenton, NC 27932

Site Information:

Customer: Project Name: J1224-6809
 Lot/Block: Model:
 Address: Subdivision:
 City: State:

General Truss Engineering Criteria & Design Loads (Individual Truss Design Drawings Show Special Loading Conditions):

Design Code: IRC2015/TPI2014 Design Program: MiTek 20/20 8.6
 Wind Code: ASCE 7-10 Wind Speed: 150 mph
 Roof Load: 40.0 psf Floor Load: N/A psf

This package includes 30 individual, dated Truss Design Drawings and 0 Additional Drawings.

No.	Seal#	Truss Name	Date	No.	Seal#	Truss Name	Date
1	I69436092	A1	11/7/2024	21	I69436112	M1	11/7/2024
2	I69436093	A1GE	11/7/2024	22	I69436113	M1GE	11/7/2024
3	I69436094	A2	11/7/2024	23	I69436114	M2	11/7/2024
4	I69436095	A3	11/7/2024	24	I69436115	M2A	11/7/2024
5	I69436096	A3A	11/7/2024	25	I69436116	V1	11/7/2024
6	I69436097	A4	11/7/2024	26	I69436117	V2	11/7/2024
7	I69436098	A4SG	11/7/2024	27	I69436118	V3	11/7/2024
8	I69436099	B1	11/7/2024	28	I69436119	V4	11/7/2024
9	I69436100	B1A	11/7/2024	29	I69436120	V5	11/7/2024
10	I69436101	B1GE	11/7/2024	30	I69436121	V6	11/7/2024
11	I69436102	C1-GR	11/7/2024				
12	I69436103	C1SG	11/7/2024				
13	I69436104	D1	11/7/2024				
14	I69436105	D1-GR	11/7/2024				
15	I69436106	D1GE	11/7/2024				
16	I69436107	G1	11/7/2024				
17	I69436108	G1GE	11/7/2024				
18	I69436109	H1GE	11/7/2024				
19	I69436110	J1	11/7/2024				
20	I69436111	J1GE	11/7/2024				

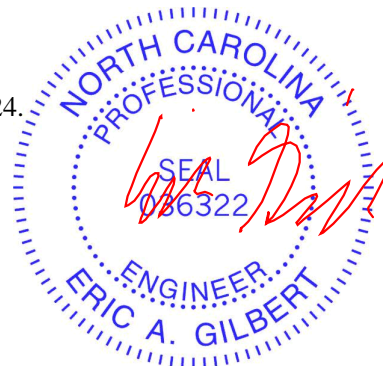
The truss drawing(s) referenced above have been prepared by Truss Engineering Co. under my direct supervision based on the parameters provided by Comtech, Inc - Fayetteville.

Truss Design Engineer's Name: Gilbert, Eric

My license renewal date for the state of North Carolina is December 31, 2024.

North Carolina COA: C-0844

IMPORTANT NOTE: The seal on these truss component designs is a certification that the engineer named is licensed in the jurisdiction(s) identified and that the designs comply with ANSI/TPI 1. These designs are based upon parameters shown (e.g., loads, supports, dimensions, shapes and design codes), which were given to TRENCO. Any project specific information included is for TRENCO customers file reference purpose only, and was not taken into account in the preparation of these designs. TRENCO has not independently verified the applicability of the design parameters or the designs for any particular building. Before use, the building designer should verify applicability of design parameters and properly incorporate these designs into the overall building design per ANSI/TPI 1, Chapter 2.



November 07, 2024

Job J1224-6809	Truss A1	Truss Type COMMON	Qty 1	Ply 1	Lot 16 West Preserve Job Reference (optional)	169436092
-------------------	-------------	----------------------	----------	----------	--	-----------

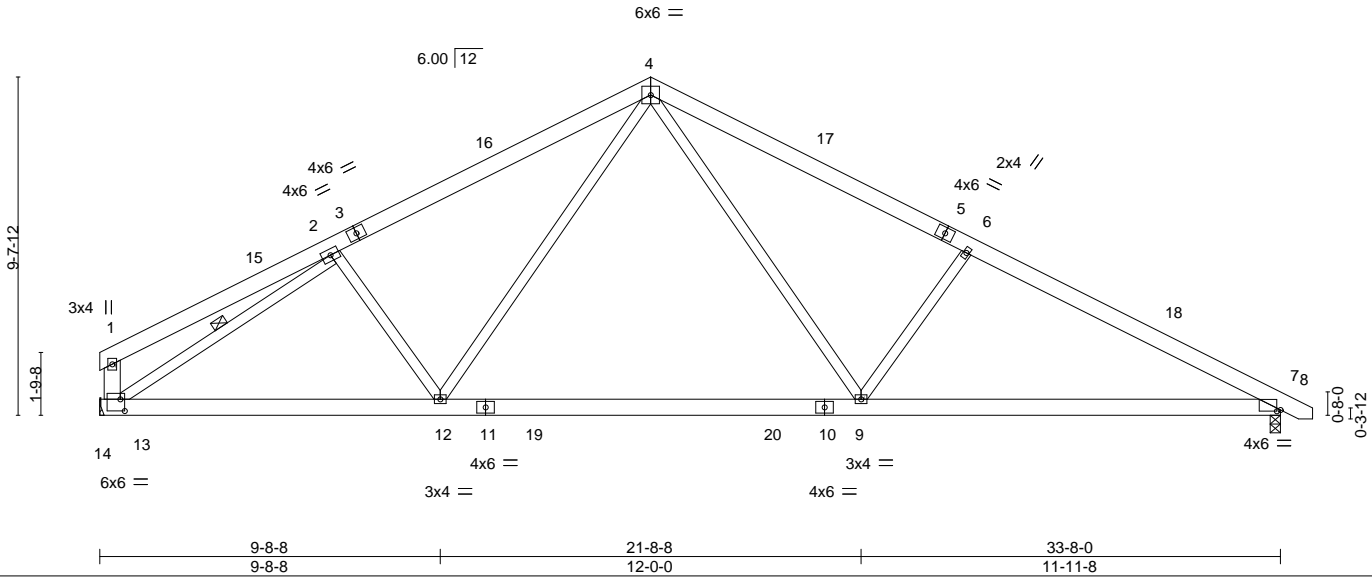
Comtech, Inc. Fayetteville, NC - 28314,

8.630 s Sep 26 2024 MiTek Industries, Inc. Wed Nov 6 14:43:18 2024 Page 1

ID:14HRAT3elT9qoRldAoEs_5z0Axy-RfC?PsB70Hq3NSgPqnL8w3uITXbGKWrCDoi7J4zJC?f

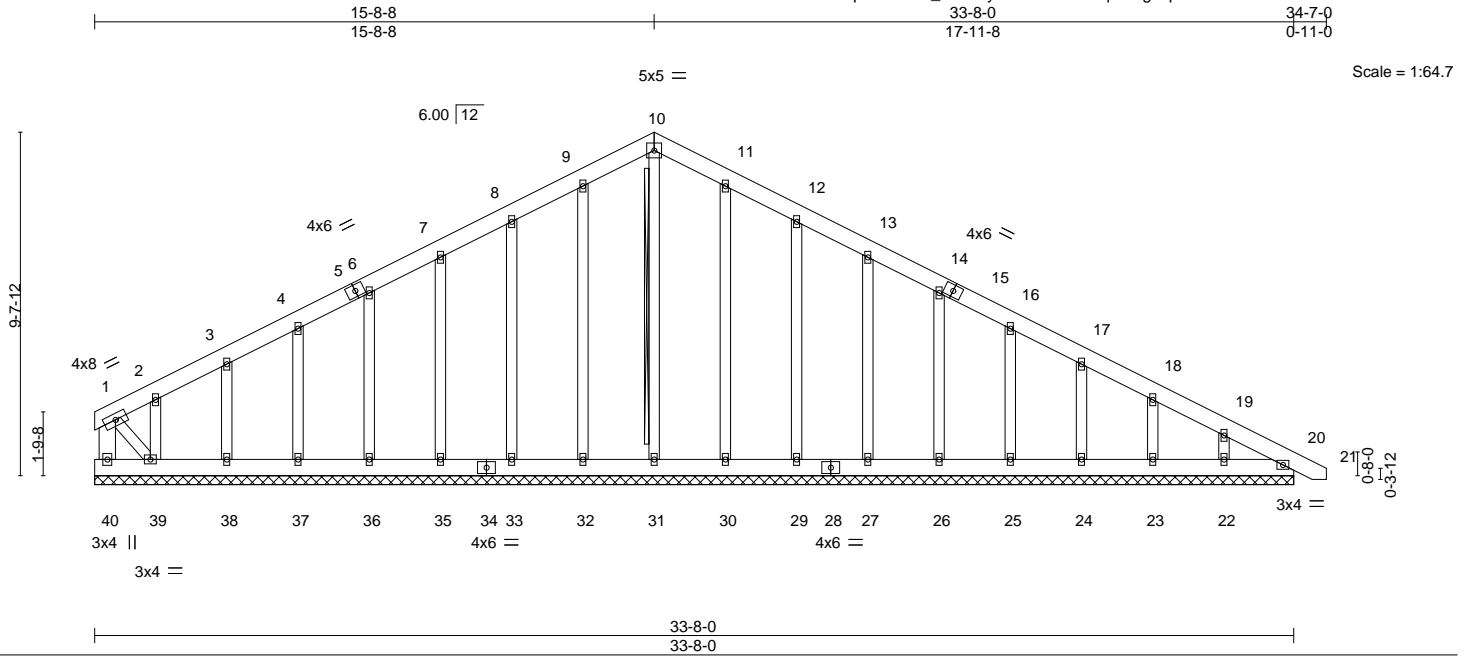


Scale = 1:65.7



Job	Truss	Truss Type	Qty	Ply	Lot 16 West Preserve	I69436093
J1224-6809	A1GE	COMMON SUPPORTED GAB	1	1		
Comtech, Inc. Fayetteville, NC - 28314,						Job Reference (optional)

8.630 s Sep 26 2024 MiTek Industries, Inc. Wed Nov 6 14:43:18 2024 Page 1
 ID:I4HRAT3elT9qoRldAoEs_5z0Axy-RfC?PsB70Hq3NSgPqnL8w3uITXbGKWrCDoi7J4zJC?f



LOADING (psf)	SPACING-	2-0-0	CSI.	DEFL.	in (loc)	l/defl	L/d	PLATES	GRIP
TCLL 20.0	Plate Grip DOL	1.15	TC 0.06	Vert(LL)	0.00	20	n/r	MT20	244/190
BCDL 10.0	Lumber DOL	1.15	BC 0.03	Vert(CT)	0.00	20	n/r		
BCLL 0.0 *	Rep Stress Incr	YES	WB 0.14	Horz(CT)	0.01	20	n/a		
BCDL 10.0	Code IRC2015/TPI2014		Matrix-S					Weight: 288 lb	FT = 20%

LUMBER-	BRACING-
TOP CHORD 2x6 SP No.1	TOP CHORD Structural wood sheathing directly applied or 6-0-0 oc purlins, except end verticals.
BOT CHORD 2x6 SP No.1	BOT CHORD Rigid ceiling directly applied or 10-0-0 oc bracing.
WEBS 2x6 SP No.1 *Except* 1-39: 2x4 SP No.2	WEBS T-Brace: 2x4 SPF No.2 - 10-31 Fasten (2X) T and I braces to narrow edge of web with 10d (0.131"x3") nails, 6in o.c., with 3in minimum end distance. Brace must cover 90% of web length.
OTHERS 2x4 SP No.2	

REACTIONS. All bearings 33-8-0.
 (lb) - Max Horz 40=309(LC 13)
 Max Uplift All uplift 100 lb or less at joint(s) 32, 30, 20 except 40=119(LC 17), 33=119(LC 12), 35=108(LC 12), 36=107(LC 12), 37=108(LC 12), 38=110(LC 12), 39=341(LC 12), 29=122(LC 13), 27=108(LC 13), 26=107(LC 13), 25=108(LC 13), 24=108(LC 13), 23=107(LC 13), 22=134(LC 13)
 Max Grav All reactions 250 lb or less at joint(s) 31, 32, 33, 35, 36, 37, 38, 39, 30, 29, 27, 26, 25, 24, 23, 22, 20 except 40=328(LC 12)

FORCES. (lb) - Max. Comp./Max. Ten. - All forces 250 (lb) or less except when shown.
 TOP CHORD 1-40=306/120, 7-8=-109/273, 8-9=-138/357, 9-10=-158/412, 10-11=-158/412, 11-12=-138/357, 12-13=-109/273, 19-20=-254/80
 BOT CHORD 39-40=-159/298, 38-39=-73/258, 37-38=-73/258, 36-37=-73/258, 35-36=-73/258, 33-35=-73/258, 32-33=-73/258, 31-32=-73/258, 30-31=-73/258, 29-30=-73/258, 27-29=-73/258, 26-27=-73/258, 25-26=-73/258, 24-25=-73/258, 23-24=-73/258, 22-23=-73/258, 20-22=-73/258
 WEBS 1-39=-102/304

- NOTES-**
- Unbalanced roof live loads have been considered for this design.
 - Wind: ASCE 7-10; Vult=150mph Vasd=119mph; TC DL=6.0psf; BCDL=6.0psf; h=15ft; Cat. II; Exp C; Enclosed; MWFRS (envelope) gable end zone and C-C Exterior(2) zone; C-C for members and forces & MWFRS for reactions shown; Lumber DOL=1.60 plate grip DOL=1.60
 - Truss designed for wind loads in the plane of the truss only. For studs exposed to wind (normal to the face), see Standard Industry Gable End Details as applicable, or consult qualified building designer as per ANSI/TPI 1.
 - All plates are 2x4 MT20 unless otherwise indicated.
 - Gable requires continuous bottom chord bearing.
 - Gable studs spaced at 2-0-0 oc.
 - This truss has been designed for a 10.0 psf bottom chord live load nonconcurrent with any other live loads.
 - * This truss has been designed for a live load of 30.0psf on the bottom chord in all areas where a rectangle 3-6-0 tall by 2-0-0 wide will fit between the bottom chord and any other members.
 - Provide mechanical connection (by others) of truss to bearing plate capable of withstanding 100 lb uplift at joint(s) 32, 30, 20 except (jt=lb) 40=119, 33=119, 35=108, 36=107, 37=108, 38=110, 39=341, 29=122, 27=108, 26=107, 25=108, 24=108, 23=107, 22=134.
 - Warning: Additional permanent and stability bracing for truss system (not part of this component design) is always required.



Job J1224-6809	Truss A2	Truss Type Roof Special	Qty 4	Ply 1	Lot 16 West Preserve Job Reference (optional)	169436094
-------------------	-------------	----------------------------	----------	----------	--	-----------

Comtech, Inc. Fayetteville, NC - 28314,

8.630 s Sep 26 2024 MiTek Industries, Inc. Wed Nov 6 14:43:19 2024 Page 1
ID:I4HRAT3elT9qoRldAoEs_5z0Axy-RfC?PsB70Hq3NSgPqnL8w3uITXbGKWrCDoi7J4zJC?f



Scale = 1:66.4

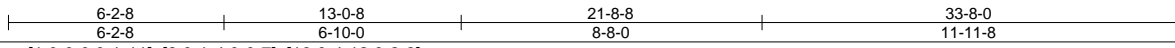
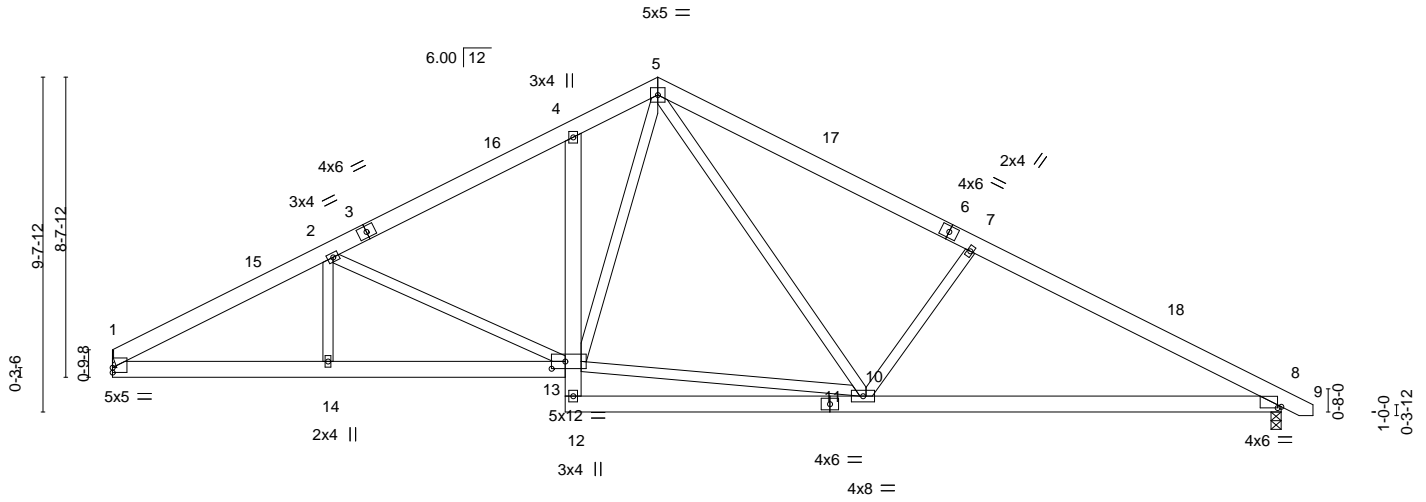


Plate Offsets (X, Y)--	[1:0-0-0,0-1-11], [8:0-1-4,0-0-7], [13:0-4-12,0-2-8]
------------------------	--

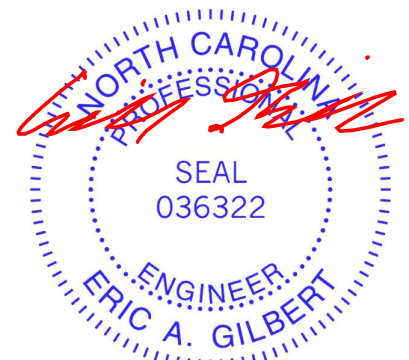
LOADING (psf)	SPACING-	2-0-0	CSI.	DEFL.	in (loc)	l/defl	L/d	PLATES	GRIP	
TCLL 20.0	Plate Grip DOL	1.15	TC 0.36	Vert(LL)	-0.14	8-10	>999	360	MT20	244/190
TCDL 10.0	Lumber DOL	1.15	BC 0.50	Vert(CT)	-0.31	8-10	>999	240		
BCLL 0.0 *	Rep Stress Incr	YES	WB 0.58	Horz(CT)	0.06	8	n/a	n/a		
BCDL 10.0	Code IRC2015/TPI2014		Matrix-S	Wind(LL)	0.07	8-10	>999	240	Weight: 250 lb	FT = 20%

LUMBER-	BRACING-
TOP CHORD 2x6 SP No.1	TOP CHORD Structural wood sheathing directly applied or 4-9-10 oc purlins.
BOT CHORD 2x6 SP No.1	BOT CHORD Rigid ceiling directly applied or 9-7-15 oc bracing.
WEBS 2x4 SP No.2	

REACTIONS. (size) 1=Mechanical, 8=0-3-8
 Max Horz 1=-180(LC 13)
 Max Uplift 1=-232(LC 12), 8=-271(LC 13)
 Max Grav 1=1338(LC 1), 8=1391(LC 1)

FORCES. (lb) - Max. Comp./Max. Ten. - All forces 250 (lb) or less except when shown.
 TOP CHORD 1-2=-2401/917, 2-4=-1846/799, 4-5=-1715/885, 5-7=-1992/885, 7-8=-2282/897
 BOT CHORD 1-14=-633/2050, 13-14=-633/2050, 4-13=-270/273, 10-12=-64/251, 8-10=-652/1953
 WEBS 2-14=0/303, 2-13=-561/329, 10-13=-188/1073, 5-13=-355/764, 5-10=-253/676, 7-10=-522/457

- NOTES-**
- 1) Unbalanced roof live loads have been considered for this design.
 - 2) Wind: ASCE 7-10; Vult=150mph Vasd=119mph; TCDL=6.0psf; BCDL=6.0psf; h=15ft; Cat. II; Exp C; Enclosed; MWFRS (envelope) and C-C Exterior(2) 0-0-12 to 4-5-9, Interior(1) 4-5-9 to 15-8-8, Exterior(2) 15-8-8 to 20-1-5, Interior(1) 20-1-5 to 34-4-10 zone; C-C for members and forces & MWFRS for reactions shown; Lumber DOL=1.60 plate grip DOL=1.60
 - 3) This truss has been designed for a 10.0 psf bottom chord live load nonconcurrent with any other live loads.
 - 4) * This truss has been designed for a live load of 30.0psf on the bottom chord in all areas where a rectangle 3-6-0 tall by 2-0-0 wide will fit between the bottom chord and any other members.
 - 5) Refer to girder(s) for truss to truss connections.
 - 6) Provide mechanical connection (by others) of truss to bearing plate capable of withstanding 100 lb uplift at joint(s) except (jt=lb) 1=232, 8=271.
 - 7) Gap between inside of top chord bearing and first diagonal or vertical web shall not exceed 0.500in.



November 7, 2024

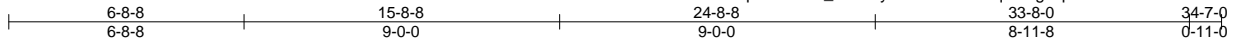
<p>WARNING - Verify design parameters and READ NOTES ON THIS AND INCLUDED MITEK REFERENCE PAGE MII-7473 rev. 1/2/2023 BEFORE USE.</p> <p>Design valid for use only with MiTek® connectors. This design is based only upon parameters shown, and is for an individual building component, not a truss system. Before use, the building designer must verify the applicability of design parameters and properly incorporate this design into the overall building design. Bracing indicated is to prevent buckling of individual truss web and/or chord members only. Additional temporary and permanent bracing is always required for stability and to prevent collapse with possible personal injury and property damage. For general guidance regarding the fabrication, storage, delivery, erection and bracing of trusses and truss systems, see ANSI/TP1 Quality Criteria and DSB-22 available from Truss Plate Institute (www.tpinst.org) and BCSI Building Component Safety Information available from the Structural Building Component Association (www.sbcacomponents.com)</p>	<p>ENGINEERING BY</p> <p>TRENCO</p> <p>A MITEK Affiliate</p> <p>818 Soundside Road Edenton, NC 27932</p>
--	---

Job J1224-6809	Truss A3	Truss Type COMMON	Qty 3	Ply 1	Lot 16 West Preserve 169436095
-------------------	-------------	----------------------	----------	----------	-----------------------------------

Comtech, Inc. Fayetteville, NC - 28314,

8.630 s Sep 26 2024 MiTek Industries, Inc. Wed Nov 6 14:43:20 2024 Page 1

ID:14HRAT3elT9qRldAoEs_5z0Axy-RfC?PsB70Hq3NSgPqnL8w3uITXbGKWrCDoi7J4zJC?f



Scale = 1:65.7

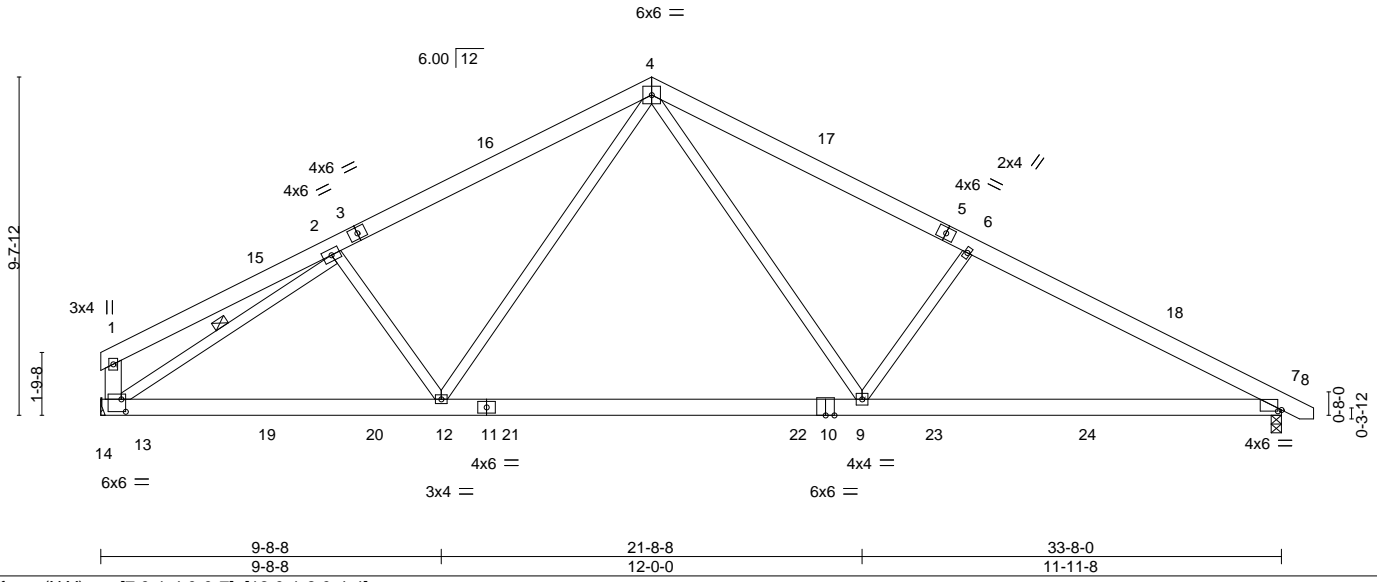


Plate Offsets (X, Y)--	[7:0-1-4,0-0-7], [13:0-1-8,0-4-4]
------------------------	-----------------------------------

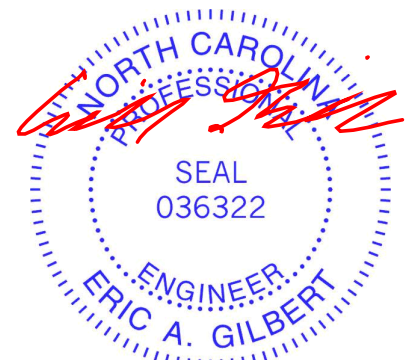
LOADING (psf)	SPACING-	CSI.	DEFL.	PLATES	GRIP
TCLL 20.0	2-0-0	TC 0.36	in (loc) l/defl L/d	MT20	244/190
TCDL 10.0	Plate Grip DOL 1.15	BC 0.78	Vert(LL) -0.30 9-12 >999 360		
BCLL 0.0 *	Lumber DOL 1.15	WB 0.57	Vert(CT) -0.42 9-12 >946 240		
BCDL 10.0	Rep Stress Incr YES	Matrix-S	Horz(CT) 0.06 7 n/a n/a		
	Code IRC2015/TP12014		Wind(LL) 0.07 7-9 >999 240	Weight: 230 lb	FT = 20%

LUMBER-	BRACING-
TOP CHORD 2x6 SP No.1	TOP CHORD Structural wood sheathing directly applied or 4-5-3 oc purlins, except end verticals.
BOT CHORD 2x6 SP No.1	BOT CHORD Rigid ceiling directly applied or 9-9-4 oc bracing.
WEBS 2x4 SP No.2 *Except* 1-13: 2x6 SP No.1	WEBS 1 Row at midpt 2-13

REACTIONS. (size) 13=Mechanical, 7=0-3-8
 Max Horz 13=193(LC 13)
 Max Uplift 13=222(LC 12), 7=263(LC 13)
 Max Grav 13=1525(LC 2), 7=1551(LC 2)

FORCES. (lb) - Max. Comp./Max. Ten. - All forces 250 (lb) or less except when shown.
 TOP CHORD 1-2=-323/179, 2-4=-2090/805, 4-6=-2413/871, 6-7=-2646/875, 1-13=-255/214
 BOT CHORD 12-13=-482/1866, 9-12=-230/1449, 7-9=-635/2287
 WEBS 2-12=-242/311, 4-12=-140/683, 4-9=-273/1190, 6-9=-522/454, 2-13=-1940/660

- NOTES-**
- 1) Unbalanced roof live loads have been considered for this design.
 - 2) Wind: ASCE 7-10; Vult=150mph Vasd=119mph; TCDL=6.0psf; BCDL=6.0psf; h=15ft; Cat. II; Exp C; Enclosed; MWFRS (envelope) and C-C Exterior(2) 0-4-4 to 4-9-1, Interior(1) 4-9-1 to 15-8-8, Exterior(2) 15-8-8 to 20-1-5, Interior(1) 20-1-5 to 34-4-10 zone; C-C for members and forces & MWFRS for reactions shown; Lumber DOL=1.60 plate grip DOL=1.60
 - 3) This truss has been designed for a 10.0 psf bottom chord live load nonconcurrent with any other live loads.
 - 4) * This truss has been designed for a live load of 30.0psf on the bottom chord in all areas where a rectangle 2-6-0 tall by 2-0-0 wide will fit between the bottom chord and any other members, with BCDL = 10.0psf.
 - 5) Refer to girder(s) for truss to truss connections.
 - 6) Provide mechanical connection (by others) of truss to bearing plate capable of withstanding 100 lb uplift at joint(s) except (jt=lb) 13=222, 7=263.



November 7, 2024

<p>WARNING - Verify design parameters and READ NOTES ON THIS AND INCLUDED MITEK REFERENCE PAGE MII-7473 rev. 1/2/2023 BEFORE USE.</p> <p>Design valid for use only with MiTek® connectors. This design is based only upon parameters shown, and is for an individual building component, not a truss system. Before use, the building designer must verify the applicability of design parameters and properly incorporate this design into the overall building design. Bracing indicated is to prevent buckling of individual truss web and/or chord members only. Additional temporary and permanent bracing is always required for stability and to prevent collapse with possible personal injury and property damage. For general guidance regarding the fabrication, storage, delivery, erection and bracing of trusses and truss systems, see ANSI/TPH Quality Criteria and DSB-22 available from Truss Plate Institute (www.tpinst.org) and BCSI Building Component Safety Information available from the Structural Building Component Association (www.sbcacomponents.com)</p>	<p>ENGINEERING BY</p> <p>TRENCO</p> <p>A MiTek Affiliate</p> <p>818 Soundside Road Edenton, NC 27932</p>
--	---

Job J1224-6809	Truss A3A	Truss Type COMMON	Qty 1	Ply 1	Lot 16 West Preserve Job Reference (optional)	I69436096
-------------------	--------------	----------------------	----------	----------	--	-----------

Comtech, Inc. Fayetteville, NC - 28314,

8.630 s Sep 26 2024 MiTek Industries, Inc. Wed Nov 6 14:43:20 2024 Page 1
ID:I4HRAT3elT9qoRldAoEs_5z0Axy-RfC?PsB70Hq3NSgPqnL8w3uITXbGKWrCDoi7J4zJC?f



Scale = 1:65.7

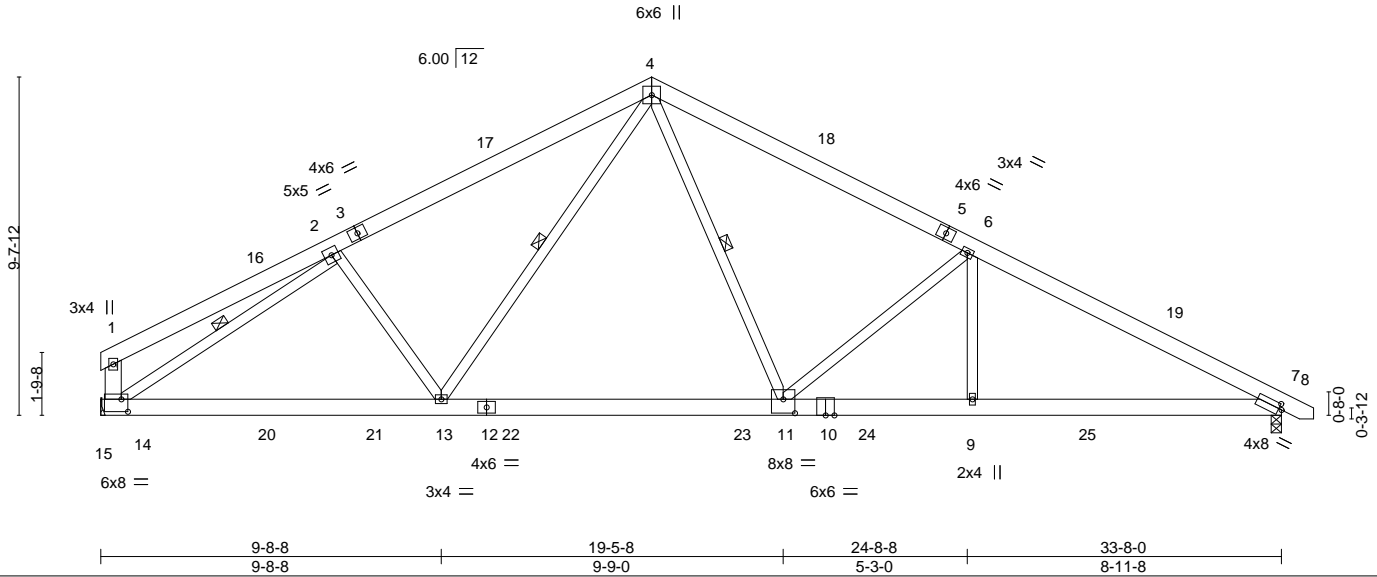


Plate Offsets (X,Y)--	[7:0-1-0,0-1-13], [11:0-4-0,0-4-12], [14:0-2-4,0-4-4]
-----------------------	---

LOADING (psf)	SPACING-	2-0-0	CSI.	DEFL.	in (loc)	l/defl	L/d	PLATES	GRIP
TCLL 20.0	Plate Grip DOL	1.15	TC 0.56	Vert(LL)	-0.19 11-13	>999	360	MT20	244/190
TCDL 10.0	Lumber DOL	1.15	BC 0.97	Vert(CT)	-0.32 11-13	>999	240		
BCLL 0.0 *	Rep Stress Incr	NO	WB 0.77	Horz(CT)	0.09 7	n/a	n/a		
BCDL 10.0	Code IRC2015/TP12014		Matrix-S	Wind(LL)	0.21 9-11	>999	240	Weight: 237 lb	FT = 20%

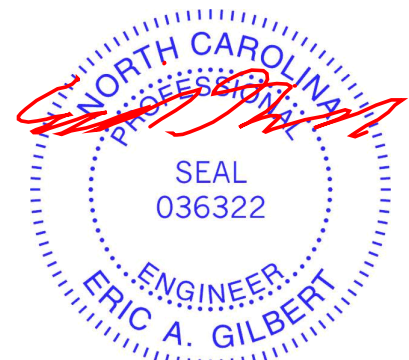
LUMBER-	BRACING-
TOP CHORD 2x6 SP No.1	TOP CHORD Structural wood sheathing directly applied or 3-4-9 oc purlins, except end verticals.
BOT CHORD 2x6 SP No.1	BOT CHORD Rigid ceiling directly applied or 5-9-3 oc bracing.
WEBS 2x4 SP No.2 *Except* 1-14: 2x6 SP No.1	WEBS 1 Row at midpt 4-13, 4-11, 2-14

REACTIONS. (size) 14=Mechanical, 7=0-3-8
 Max Horz 14=193(LC 13)
 Max Uplift 14=373(LC 12), 7=491(LC 13)
 Max Grav 14=2046(LC 19), 7=2357(LC 20)

FORCES. (lb) - Max. Comp./Max. Ten. - All forces 250 (lb) or less except when shown.
 TOP CHORD 1-2=-435/227, 2-4=-2926/1389, 4-6=-3695/1822, 6-7=-4439/2001, 1-14=-315/241
 BOT CHORD 13-14=-948/2587, 11-13=-817/2396, 9-11=-1625/3860, 7-9=-1625/3860
 WEBS 2-13=-67/282, 4-13=-80/441, 4-11=-1088/2378, 6-11=-890/520, 2-14=-2661/1191,
 6-9=-78/489

- NOTES-**
- Unbalanced roof live loads have been considered for this design.
 - Wind: ASCE 7-10; Vult=150mph Vasd=119mph; TC DL=6.0psf; BCDL=6.0psf; h=15ft; Cat. II; Exp C; Enclosed; MWFRS (envelope) and C-C Exterior(2) 0-4-4 to 4-9-1, Interior(1) 4-9-1 to 15-8-8, Exterior(2) 15-8-8 to 20-1-5, Interior(1) 20-1-5 to 34-4-10 zone; C-C for members and forces & MWFRS for reactions shown; Lumber DOL=1.60 plate grip DOL=1.60
 - This truss has been designed for a 10.0 psf bottom chord live load nonconcurrent with any other live loads.
 - * This truss has been designed for a live load of 30.0psf on the bottom chord in all areas where a rectangle 2-6-0 tall by 2-0-0 wide will fit between the bottom chord and any other members, with BCDL = 10.0psf.
 - Refer to girder(s) for truss to truss connections.
 - Provide mechanical connection (by others) of truss to bearing plate capable of withstanding 100 lb uplift at joint(s) except (jt=lb) 14=373, 7=491.
 - Hanger(s) or other connection device(s) shall be provided sufficient to support concentrated load(s) 985 lb down and 552 lb up at 19-7-12, and 575 lb down and 322 lb up at 21-9-4 on bottom chord. The design/selection of such connection device(s) is the responsibility of others.
 - In the LOAD CASE(S) section, loads applied to the face of the truss are noted as front (F) or back (B).

LOAD CASE(S) Standard
 1) Dead + Roof Live (balanced): Lumber Increase=1.15, Plate Increase=1.15
 Uniform Loads (plf)
 Vert: 1-4=-60, 4-8=-60, 7-15=-20
 Concentrated Loads (lb)
 Vert: 11=-985(F) 24=-575(F)



November 7, 2024

WARNING - Verify design parameters and READ NOTES ON THIS AND INCLUDED MITEK REFERENCE PAGE MII-7473 rev. 1/2/2023 BEFORE USE.
 Design valid for use only with MiTek® connectors. This design is based only upon parameters shown, and is for an individual building component, not a truss system. Before use, the building designer must verify the applicability of design parameters and properly incorporate this design into the overall building design. Bracing indicated is to prevent buckling of individual truss web and/or chord members only. Additional temporary and permanent bracing is always required for stability and to prevent collapse with possible personal injury and property damage. For general guidance regarding the fabrication, storage, delivery, erection and bracing of trusses and truss systems, see **ANSI/TP1 Quality Criteria and DSB-22** available from Truss Plate Institute (www.tpinst.org) and **BCSI Building Component Safety Information** available from the Structural Building Component Association (www.sbcacomponents.com)

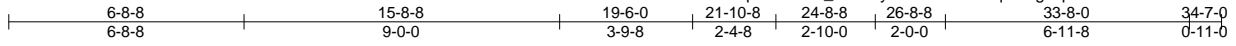
ENGINEERING BY
TRENCO
 A MiTek Affiliate
 818 Soundside Road
 Edenton, NC 27932

Job	Truss	Truss Type	Qty	Ply	Lot 16 West Preserve	169436097
J1224-6809	A4	GABLE	1	1		

Comtech, Inc. Fayetteville, NC - 28314,

8.630 s Sep 26 2024 MiTek Industries, Inc. Wed Nov 6 14:43:21 2024 Page 1

ID:4HRAT3eIT9qoRldAoEs_5z0Axy-RfC?PsB70Hq3NSgPqnL8w3uITXbGKWrCDoi7J4zJC?f



Scale = 1:65.7

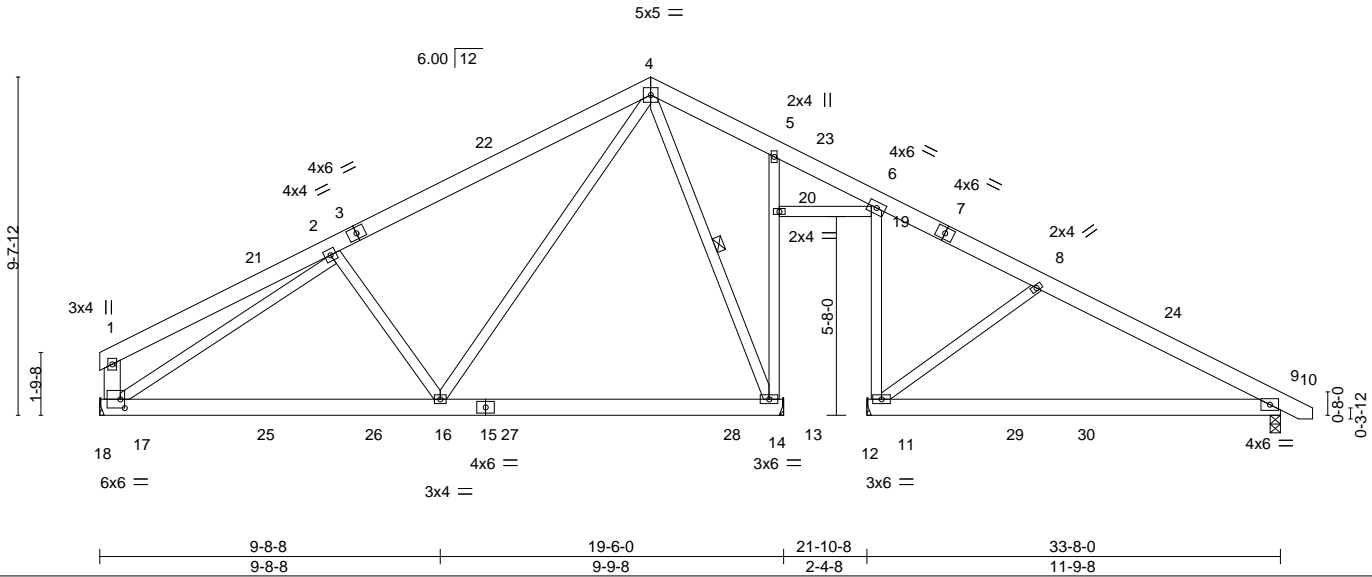


Plate Offsets (X, Y)--	[17:0-1-8,0-3-0]
------------------------	------------------

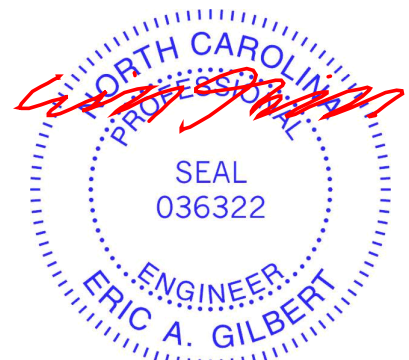
LOADING (psf)	SPACING-	2-0-0	CSI.	DEFL.	in (loc)	l/defl	L/d	PLATES	GRIP
TCLL 20.0	Plate Grip DOL	1.15	TC 0.31	Vert(LL)	-0.17 14-16	>999	360	MT20	244/190
TCDL 10.0	Lumber DOL	1.15	BC 0.49	Vert(CT)	-0.34 9-11	>397	240		
BCLL 0.0 *	Rep Stress Incr	YES	WB 0.86	Horz(CT)	0.02 11	n/a	n/a		
BCDL 10.0	Code IRC2015/TPI2014		Matrix-S	Wind(LL)	0.02 9-11	>999	240	Weight: 246 lb	FT = 20%

LUMBER-	BRACING-
TOP CHORD 2x6 SP No.1	TOP CHORD Structural wood sheathing directly applied or 6-0-0 oc purlins, except end verticals.
BOT CHORD 2x6 SP No.1	BOT CHORD Rigid ceiling directly applied or 10-0-0 oc bracing.
WEBS 2x4 SP No.2 *Except* 1-17: 2x6 SP No.1	WEBS 1 Row at midpt 4-14

REACTIONS. All bearings Mechanical except (jt=length) 9=0-3-8.
 (lb) - Max Horz 17=193(LC 13)
 Max Uplift All uplift 100 lb or less at joint(s) 14 except 17=182(LC 12), 9=196(LC 13), 11=245(LC 13)
 Max Grav All reactions 250 lb or less at joint(s) except 17=828(LC 2), 9=504(LC 24), 11=551(LC 1), 14=1061(LC 19)

FORCES. (lb) - Max. Comp./Max. Ten. - All forces 250 (lb) or less except when shown.
 TOP CHORD 2-4=908/575, 4-5=224/500, 5-6=193/438, 6-8=168/348, 8-9=435/462
 BOT CHORD 16-17=303/936, 14-16=24/294, 9-11=256/337
 WEBS 2-16=354/361, 4-16=191/874, 2-17=850/476, 4-14=819/68, 8-11=421/319

- NOTES-**
- 1) Unbalanced roof live loads have been considered for this design.
 - 2) Wind: ASCE 7-10; Vult=150mph Vasd=119mph; TC DL=6.0psf; BCDL=6.0psf; h=15ft; Cat. II; Exp C; Enclosed; MWFRS (envelope) and C-C Exterior(2) 0-4-4 to 4-9-1, Interior(1) 4-9-1 to 15-8-8, Exterior(2) 15-8-8 to 20-1-5, Interior(1) 20-1-5 to 34-4-10 zone; C-C for members and forces & MWFRS for reactions shown; Lumber DOL=1.60 plate grip DOL=1.60
 - 3) This truss has been designed for a 10.0 psf bottom chord live load nonconcurrent with any other live loads.
 - 4) * This truss has been designed for a live load of 30.0psf on the bottom chord in all areas where a rectangle 2-6-0 tall by 2-0-0 wide will fit between the bottom chord and any other members, with BCDL = 10.0psf.
 - 5) Refer to girder(s) for truss to truss connections.
 - 6) Provide mechanical connection (by others) of truss to bearing plate capable of withstanding 100 lb uplift at joint(s) 14 except (jt=lb) 17=182, 9=196, 11=245.



November 7, 2024

WARNING - Verify design parameters and READ NOTES ON THIS AND INCLUDED MITEK REFERENCE PAGE MII-7473 rev. 1/2/2023 BEFORE USE.
 Design valid for use only with MiTek® connectors. This design is based only upon parameters shown, and is for an individual building component, not a truss system. Before use, the building designer must verify the applicability of design parameters and properly incorporate this design into the overall building design. Bracing indicated is to prevent buckling of individual truss web and/or chord members only. Additional temporary and permanent bracing is always required for stability and to prevent collapse with possible personal injury and property damage. For general guidance regarding the fabrication, storage, delivery, erection and bracing of trusses and truss systems, see **ANSI/TP1 Quality Criteria and DSB-22** available from Truss Plate Institute (www.tpinst.org) and **BCSI Building Component Safety Information** available from the Structural Building Component Association (www.sbcacomponents.com)

ENGINEERING BY
TRENCO
 A MITEK AFFILIATE
 818 Soundside Road
 Edenton, NC 27932

Job	Truss	Truss Type	Qty	Ply	Lot 16 West Preserve	169436098
J1224-6809	A4SG	GABLE	1	1		

Comtech, Inc. Fayetteville, NC - 28314,

8.630 s Sep 26 2024 MiTek Industries, Inc. Wed Nov 6 14:43:22 2024 Page 1

ID:4HRAT3eIT9qoRldAoEs_5z0Axy-RfC?PsB70Hq3NSgPqnL8w3uITXbGKWrCDoi7J4zJC?f

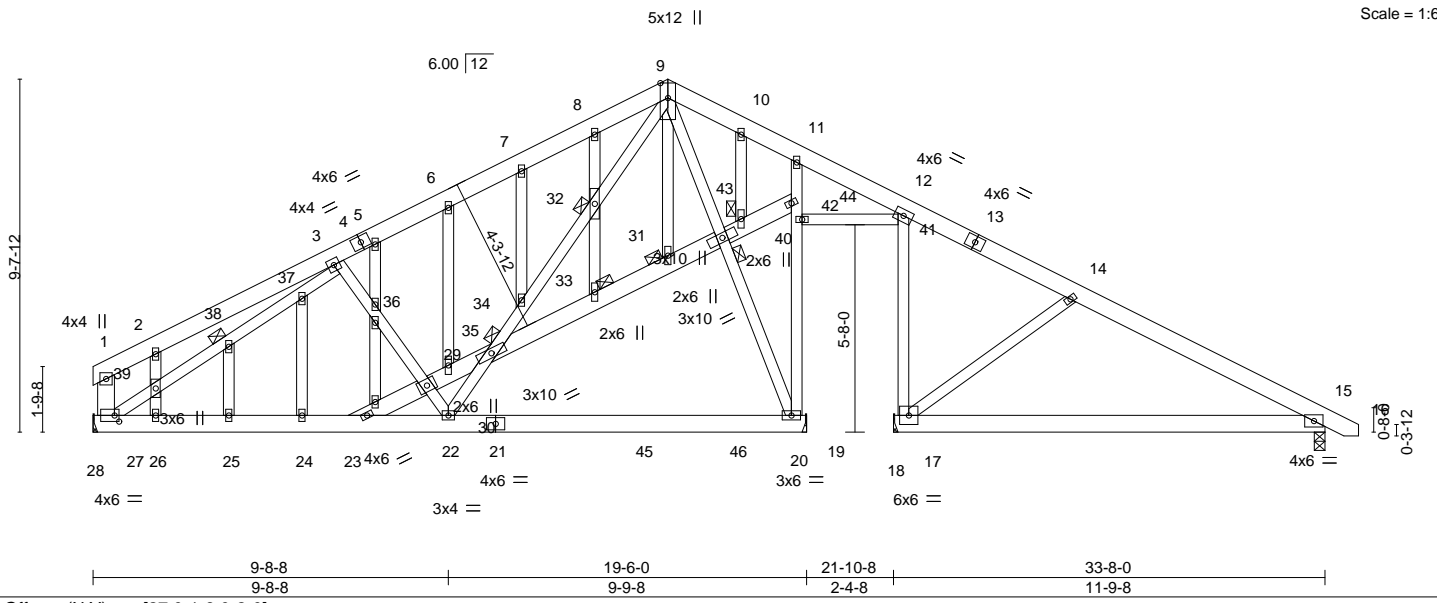
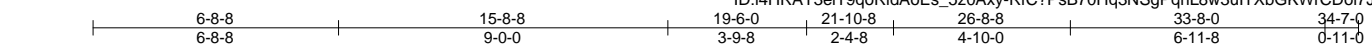


Plate Offsets (X,Y)--	[27:0-1-8,0-2-0]
-----------------------	------------------

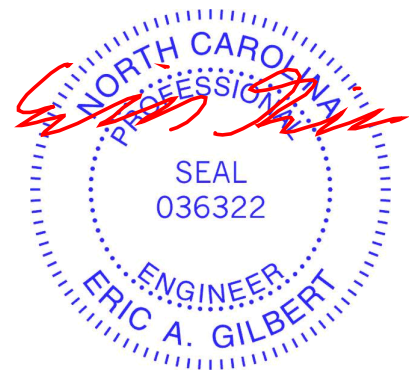
LOADING (psf)	SPACING-	2-0-0	CSI.	DEFL.	in (loc)	l/defl	L/d	PLATES	GRIP
TCLL 20.0	Plate Grip DOL	1.15	TC 0.21	Vert(LL)	-0.17 15-17	>813	360	MT20	244/190
TCDL 10.0	Lumber DOL	1.15	BC 0.47	Vert(CT)	-0.34 15-17	>397	240		
BCLL 0.0 *	Rep Stress Incr	YES	WB 0.24	Horz(CT)	0.02 17	n/a	n/a		
BCDL 10.0	Code IRC2015/TP12014		Matrix-S	Wind(LL)	0.03 15-17	>999	240	Weight: 322 lb	FT = 20%

LUMBER-	BRACING-
TOP CHORD 2x6 SP No.1	TOP CHORD Structural wood sheathing directly applied or 6-0-0 oc purlins, except end verticals.
BOT CHORD 2x6 SP No.1	BOT CHORD Rigid ceiling directly applied or 10-0-0 oc bracing.
WEBS 2x4 SP No.2 *Except*	WEBS 1 Row at midpt 9-20
1-27,23-29,29-30,30-43,43-44: 2x6 SP No.1	JOINTS 1 Brace at Jt(s): 30, 31, 32, 33, 38, 40
OTHERS 2x4 SP No.2	

REACTIONS. All bearings Mechanical except (jt=length) 15=0-3-8.
 (lb) - Max Horz 27=307(LC 13)
 Max Uplift All uplift 100 lb or less at joint(s) except 27=345(LC 12), 15=348(LC 13), 17=387(LC 13), 20=181(LC 12)
 Max Grav All reactions 250 lb or less at joint(s) except 27=767(LC 1), 15=507(LC 1), 17=585(LC 1), 20=827(LC 19)

FORCES. (lb) - Max. Comp./Max. Ten. - All forces 250 (lb) or less except when shown.
 TOP CHORD 1-2=-386/256, 2-3=-376/362, 3-5=-810/737, 5-6=-771/742, 6-7=-791/836, 7-8=-777/895, 8-9=-805/959, 9-10=-292/607, 10-11=-307/588, 11-12=-240/505, 12-14=-172/412, 14-15=-442/581, 1-27=-295/181
 BOT CHORD 26-27=-425/712, 25-26=-425/712, 24-25=-425/712, 23-24=-425/712, 22-23=-242/463, 15-17=-360/343
 WEBS 22-29=-154/289, 22-30=-127/467, 30-34=-414/598, 32-34=-501/656, 9-32=-534/709, 27-39=-521/364, 38-39=-519/353, 37-38=-524/364, 3-37=-604/418, 23-29=-205/333, 29-35=-184/323, 30-35=-263/392, 20-42=-278/170, 42-44=-278/170, 9-43=-528/190, 20-43=-510/147, 14-17=-421/452

- NOTES-**
- Unbalanced roof live loads have been considered for this design.
 - Wind: ASCE 7-10; Vult=150mph Vasd=119mph; TC DL=6.0psf; BCDL=6.0psf; h=15ft; Cat. II; Exp C; Enclosed; MWFRS (envelope) gable end zone and C-C Exterior(2) zone; C-C for members and forces & MWFRS for reactions shown; Lumber DOL=1.60 plate grip DOL=1.60
 - Truss designed for wind loads in the plane of the truss only. For studs exposed to wind (normal to the face), see Standard Industry Gable End Details as applicable, or consult qualified building designer as per ANSI/TPI 1.
 - All plates are 2x4 MT20 unless otherwise indicated.
 - Gable studs spaced at 2-0-0 oc.
 - This truss has been designed for a 10.0 psf bottom chord live load nonconcurrent with any other live loads.
 - * This truss has been designed for a live load of 30.0psf on the bottom chord in all areas where a rectangle 3-6-0 tall by 2-0-0 wide will fit between the bottom chord and any other members, with BCDL = 10.0psf.
 - Refer to girder(s) for truss to truss connections.
 - Provide mechanical connection (by others) of truss to bearing plate capable of withstanding 345 lb uplift at joint 27, 348 lb uplift at joint 15, 387 lb uplift at joint 17 and 181 lb uplift at joint 20.



WARNING - Verify design parameters and READ NOTES ON THIS AND INCLUDED MITEK REFERENCE PAGE MII-7473 rev. 1/2/2023 BEFORE USE.

Design valid for use only with MiTek® connectors. This design is based only upon parameters shown, and is for an individual building component, not a truss system. Before use, the building designer must verify the applicability of design parameters and properly incorporate this design into the overall building design. Bracing indicated is to prevent buckling of individual truss web and/or chord members only. Additional temporary and permanent bracing is always required for stability and to prevent collapse with possible personal injury and property damage. For general guidance regarding the fabrication, storage, delivery, erection and bracing of trusses and truss systems, see **ANSI/TP1 Quality Criteria and DSB-22** available from Truss Plate Institute (www.tpinst.org) and **BCSI Building Component Safety Information** available from the Structural Building Component Association (www.sbcacomponents.com)

ENGINEERING BY
TRENCO
 A MiTek Affiliate

818 Soundside Road
 Edenton, NC 27932

Job J1224-6809	Truss B1A	Truss Type COMMON	Qty 1	Ply 1	Lot 16 West Preserve Job Reference (optional)	169436100
-------------------	--------------	----------------------	----------	----------	--	-----------

Comtech, Inc. Fayetteville, NC - 28314,

8.630 s Sep 26 2024 MiTek Industries, Inc. Wed Nov 6 14:43:23 2024 Page 1

ID:4HRAT3elT9qoRldAoEs_5z0Axy-RfC?PsB70Hq3NSgPqnL8w3uITXbGKWrCDoi7J4zJC?f

0-11-0	6-11-8	11-5-8	12-11-8	14-5-8	18-11-8	25-11-0	26-10-0
0-11-0	6-11-8	4-6-0	1-6-0	1-6-0	4-6-0	6-11-8	0-11-0

Scale = 1:51.9

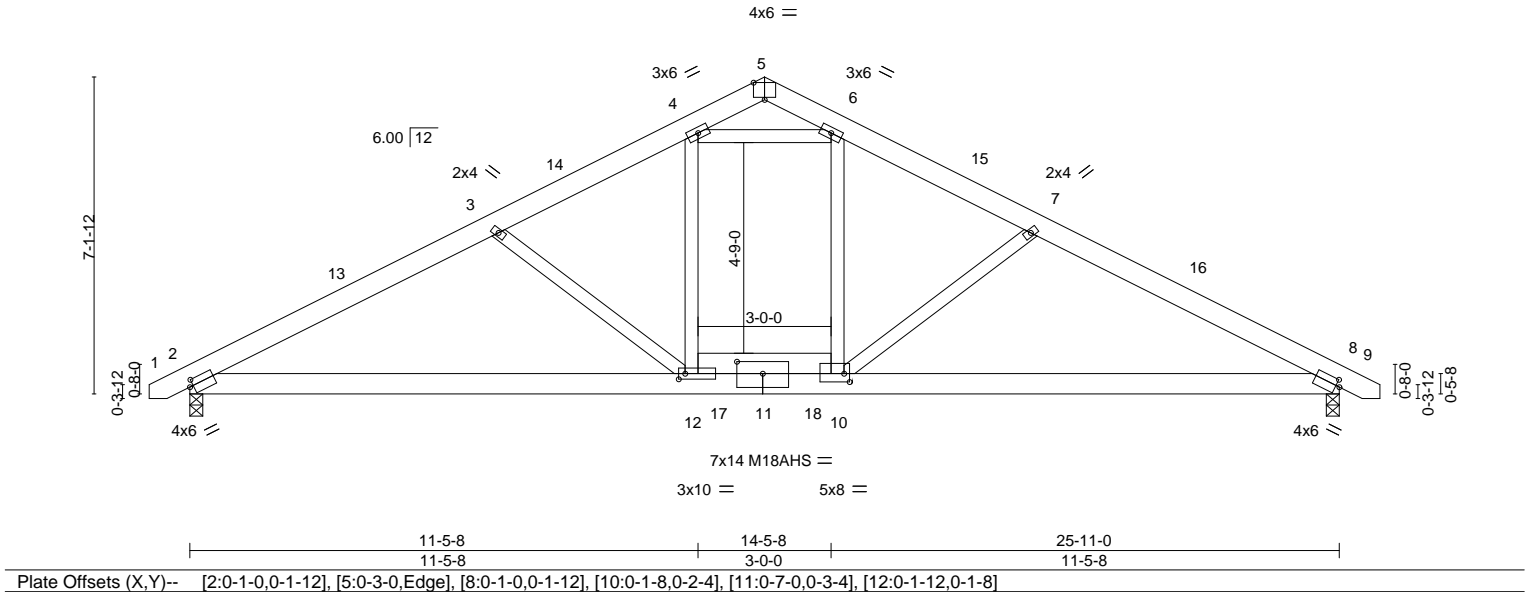


Plate Offsets (X, Y)--	[2:0-1-0,0-1-12], [5:0-3-0,Edge], [8:0-1-0,0-1-12], [10:0-1-8,0-2-4], [11:0-7-0,0-3-4], [12:0-1-12,0-1-8]				
LOADING (psf)	SPACING- 2-0-0	CSI.	DEFL. in (loc) l/defl L/d	PLATES	GRIP
TCLL 20.0	Plate Grip DOL 1.15	TC 0.32	Vert(LL) -0.11 2-12 >999 360	MT20	244/190
TCDL 10.0	Lumber DOL 1.15	BC 0.64	Vert(CT) -0.25 2-12 >999 240	M18AHS	186/179
BCLL 0.0 *	Rep Stress Incr NO	WB 0.48	Horz(CT) 0.06 8 n/a n/a		
BCDL 10.0	Code IRC2015/TPI2014	Matrix-S	Wind(LL) 0.13 2-12 >999 240		
				Weight: 177 lb	FT = 20%

LUMBER-	BRACING-
TOP CHORD 2x6 SP No.1	TOP CHORD Structural wood sheathing directly applied or 4-0-0 oc purlins.
BOT CHORD 2x6 SP No.1	BOT CHORD Rigid ceiling directly applied or 6-9-10 oc bracing.
WEBS 2x4 SP No.2	

REACTIONS. (size) 2=0-3-8, 8=0-3-8
 Max Horz 2=119(LC 11)
 Max Uplift 2=396(LC 12), 8=388(LC 13)
 Max Grav 2=1874(LC 1), 8=1840(LC 1)

FORCES. (lb) - Max. Comp./Max. Ten. - All forces 250 (lb) or less except when shown.
 TOP CHORD 2-3=-3348/1644, 3-4=-3043/1545, 4-5=-292/154, 5-6=-354/189, 6-7=-3015/1532, 7-8=-3289/1611
 BOT CHORD 2-12=-1309/2894, 10-12=-1071/2627, 8-10=-1284/2836
 WEBS 4-12=-594/1233, 6-10=-482/1041, 4-6=-2325/1271, 3-12=-377/306, 7-10=-304/265

- NOTES-**
- 1) Unbalanced roof live loads have been considered for this design.
 - 2) Wind: ASCE 7-10; Vult=150mph Vasd=119mph; TC DL=6.0psf; BCDL=6.0psf; h=15ft; Cat. II; Exp C; Enclosed; MWFRS (envelope) and C-C Exterior(2) -0-8-10 to 3-8-3, Interior(1) 3-8-3 to 12-11-8, Exterior(2) 12-11-8 to 17-4-5, Interior(1) 17-4-5 to 26-7-10 zone; C-C for members and forces & MWFRS for reactions shown; Lumber DOL=1.60 plate grip DOL=1.60
 - 3) All plates are MT20 plates unless otherwise indicated.
 - 4) This truss has been designed for a 10.0 psf bottom chord live load nonconcurrent with any other live loads.
 - 5) * This truss has been designed for a live load of 30.0psf on the bottom chord in all areas where a rectangle 3-6-0 tall by 2-0-0 wide will fit between the bottom chord and any other members, with BCDL = 10.0psf.
 - 6) Provide mechanical connection (by others) of truss to bearing plate capable of withstanding 396 lb uplift at joint 2 and 388 lb uplift at joint 8.
 - 7) See Standard Industry Piggyback Truss Connection Detail for Connection to base truss as applicable, or consult qualified building designer.
 - 8) Hanger(s) or other connection device(s) shall be provided sufficient to support concentrated load(s) 985 lb down and 552 lb up at 11-10-12, and 575 lb down and 322 lb up at 14-0-4 on bottom chord. The design/selection of such connection device(s) is the responsibility of others.
 - 9) In the LOAD CASE(S) section, loads applied to the face of the truss are noted as front (F) or back (B).

LOAD CASE(S) Standard

1) Dead + Roof Live (balanced): Lumber Increase=1.15, Plate Increase=1.15
Uniform Loads (plf)
Vert: 1-5=-60, 5-9=-60, 2-8=-20
Concentrated Loads (lb)
Vert: 17=-985(B) 18=-575(B)



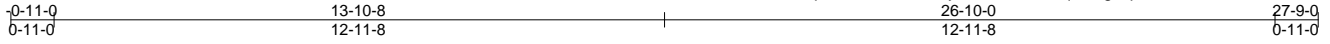
November 7, 2024

Job J1224-6809	Truss B1GE	Truss Type COMMON SUPPORTED GAB	Qty 1	Ply 1	Lot 16 West Preserve Job Reference (optional)	I69436101
-------------------	---------------	------------------------------------	----------	----------	--	-----------

Comtech, Inc. Fayetteville, NC - 28314,

8.630 s Sep 26 2024 MiTek Industries, Inc. Wed Nov 6 14:43:23 2024 Page 1

ID:I4HRAT3elT9qoRIdAoEs_5z0Axy-RfC?PsB70Hq3NSgPqnL8w3uITXbGKWrCDoi7J4zJC?f



Scale = 1:48.9

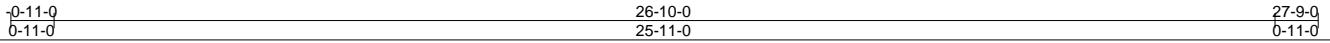
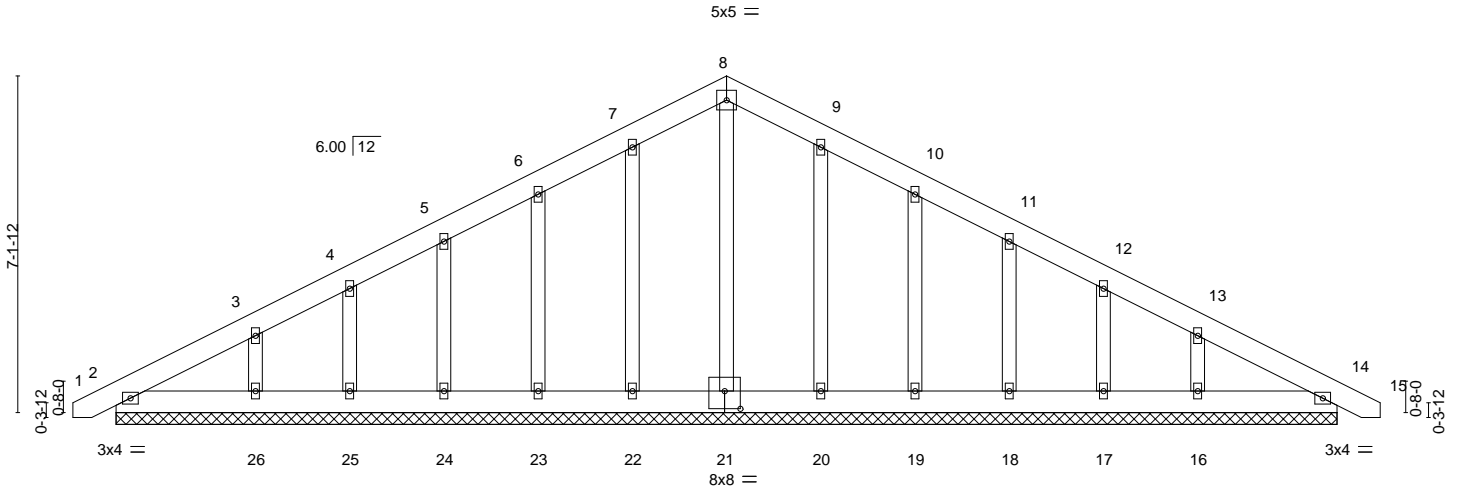


Plate Offsets (X,Y)--	[21:0-4-0,0-4-8]						
LOADING (psf)	SPACING-	2-0-0	CSI.	DEFL.	in (loc)	l/defl	L/d
TCLL 20.0	Plate Grip DOL	1.15	TC 0.04	Vert(LL)	0.00	14	n/r 120
TCDL 10.0	Lumber DOL	1.15	BC 0.03	Vert(CT)	0.00	14	n/r 120
BCLL 0.0 *	Rep Stress Incr	YES	WB 0.10	Horz(CT)	0.00	14	n/a n/a
BCDL 10.0	Code IRC2015/TPI2014		Matrix-S				
							PLATES MT20
							GRIP 244/190
							Weight: 191 lb FT = 20%

LUMBER-	BRACING-
TOP CHORD 2x6 SP No.1	TOP CHORD Structural wood sheathing directly applied or 6-0-0 oc purlins.
BOT CHORD 2x6 SP No.1	BOT CHORD Rigid ceiling directly applied or 10-0-0 oc bracing.
OTHERS 2x4 SP No.2	

REACTIONS. All bearings 25-11-0.
 (lb) - Max Horz 2=184(LC 16)
 Max Uplift All uplift 100 lb or less at joint(s) 2, 22, 25, 20, 17, 14 except 23=115(LC 12), 24=110(LC 12), 26=171(LC 12), 19=118(LC 13), 18=109(LC 13), 16=167(LC 13)
 Max Grav All reactions 250 lb or less at joint(s) 2, 21, 22, 23, 24, 25, 26, 20, 19, 18, 17, 16, 14

FORCES. (lb) - Max. Comp./Max. Ten. - All forces 250 (lb) or less except when shown.
 TOP CHORD 7-8=-120/304, 8-9=-120/303

- NOTES-**
- 1) Unbalanced roof live loads have been considered for this design.
 - 2) Wind: ASCE 7-10; Vult=150mph Vasd=119mph; TCCL=6.0psf; BCDL=6.0psf; h=15ft; Cat. II; Exp C; Enclosed; MWFRS (envelope) gable end zone and C-C Exterior(2) zone; C-C for members and forces & MWFRS for reactions shown; Lumber DOL=1.60 plate grip DOL=1.60
 - 3) Truss designed for wind loads in the plane of the truss only. For studs exposed to wind (normal to the face), see Standard Industry Gable End Details as applicable, or consult qualified building designer as per ANSI/TPI 1.
 - 4) All plates are 2x4 MT20 unless otherwise indicated.
 - 5) Gable requires continuous bottom chord bearing.
 - 6) Gable studs spaced at 2-0-0 oc.
 - 7) This truss has been designed for a 10.0 psf bottom chord live load nonconcurrent with any other live loads.
 - 8) * This truss has been designed for a live load of 30.0psf on the bottom chord in all areas where a rectangle 3-6-0 tall by 2-0-0 wide will fit between the bottom chord and any other members.
 - 9) Provide mechanical connection (by others) of truss to bearing plate capable of withstanding 100 lb uplift at joint(s) 2, 22, 25, 20, 17, 14 except (jt=lb) 23=115, 24=110, 26=171, 19=118, 18=109, 16=167.
 - 10) See Standard Industry Piggyback Truss Connection Detail for Connection to base truss as applicable, or consult qualified building designer.



November 7, 2024

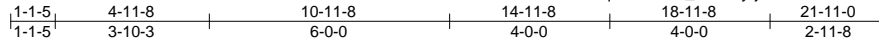
WARNING - Verify design parameters and READ NOTES ON THIS AND INCLUDED MITEK REFERENCE PAGE MII-7473 rev. 1/2/2023 BEFORE USE.
 Design valid for use only with MiTek® connectors. This design is based only upon parameters shown, and is for an individual building component, not a truss system. Before use, the building designer must verify the applicability of design parameters and properly incorporate this design into the overall building design. Bracing indicated is to prevent buckling of individual truss web and/or chord members only. Additional temporary and permanent bracing is always required for stability and to prevent collapse with possible personal injury and property damage. For general guidance regarding the fabrication, storage, delivery, erection and bracing of trusses and truss systems, see **ANSI/TPI Quality Criteria and DSB-22** available from Truss Plate Institute (www.tpinst.org) and **BCSI Building Component Safety Information** available from the Structural Building Component Association (www.sbcacomponents.com)

ENGINEERING BY
TRENCO
 A MiTek Affiliate
 818 Soundside Road
 Edenton, NC 27932

Job J1224-6809	Truss C1-GR	Truss Type Roof Special Girder	Qty 1	Ply 2	Lot 16 West Preserve Job Reference (optional)	169436102
-------------------	----------------	-----------------------------------	----------	----------	--	-----------

Comtech, Inc., Fayetteville, NC 28309

8.630 s Jul 12 2024 MiTek Industries, Inc. Wed Nov 6 21:38:09 2024 Page 1
ID:I4HRAT3eIT9qoRIdAoEs_5z0Axy-jhHsroAUVMGs3VG0BJqCN2htGm5VRublc1qVlyLn9S



Scale = 1:57.5

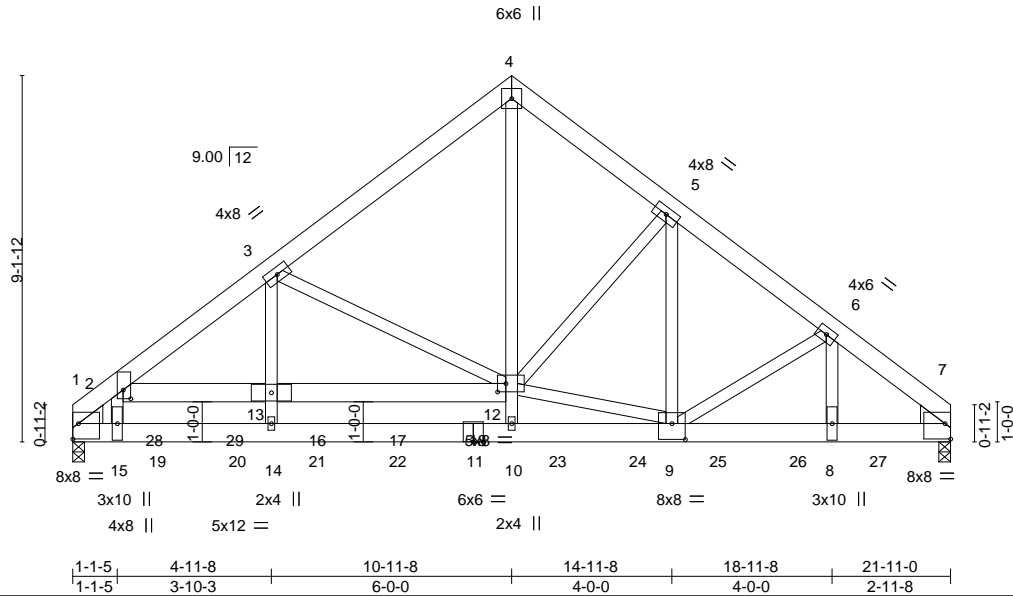


Plate Offsets (X,Y)--	[1:Edge,0-4-10], [2:0-2-10,0-2-4], [7:Edge,0-4-10], [9:0-4-0,0-4-12], [12:0-2-8,0-2-8]
-----------------------	--

LOADING (psf)	SPACING-	CSi.	DEFL.	PLATES	GRIP
TCLL 20.0	2-0-0	TC 0.86	in (loc) l/defl L/d	MT20	244/190
TCDL 10.0	Plate Grip DOL 1.15	BC 0.73	Vert(LL) -0.15 12-13 >999 360		
BCLL 0.0 *	Lumber DOL 1.15	WB 0.91	Vert(CT) -0.31 12-13 >843 240		
BCDL 10.0	Rep Stress Incr NO	Matrix-S	Horz(CT) 0.05 7 n/a n/a		
	Code IRC2015/TPI2014		Wind(LL) 0.15 12-13 >999 240		
				Weight: 402 lb	FT = 20%

LUMBER-

TOP CHORD 2x6 SP No.1
 BOT CHORD 2x6 SP 2400F 2.0E
 WEBS 2x4 SP No.2

WEDGE
 Left: 2x6 SP No.1 , Right: 2x6 SP No.1

BRACING-

TOP CHORD Structural wood sheathing directly applied or 4-11-9 oc purlins.
 BOT CHORD Rigid ceiling directly applied or 10-0-0 oc bracing.

REACTIONS. (lb/size) 1=7583/0-3-8, 7=7538/0-3-8
 Max Horz 1=275(LC 26)
 Max Uplift 1=-1263(LC 8), 7=-1390(LC 9)
 Max Grav 1=7583(LC 1), 7=7705(LC 2)

FORCES. (lb) - Max. Comp./Max. Ten. - All forces 250 (lb) or less except when shown.
 TOP CHORD 1-2=-10129/1691, 2-3=-9954/1689, 3-4=-6372/1197, 4-5=-6163/1169, 5-6=-8950/1599, 6-7=-10911/1947
 BOT CHORD 13-16=-199/1348, 16-17=-199/1348, 17-18=-199/1348, 12-18=-199/1348, 1-15=-1112/6124, 15-19=-1112/6124, 19-20=-1112/6124, 14-20=-1112/6124, 14-21=-1192/6650, 21-22=-1192/6650, 11-22=-1192/6650, 10-11=-1192/6650, 10-23=-1203/6789, 23-24=-1203/6789, 9-24=-1203/6789, 9-25=-1363/7919, 25-26=-1363/7919, 8-26=-1363/7919, 8-27=-1363/7919, 7-27=-1363/7919, 2-28=-263/1793, 28-29=-265/1789, 13-29=-266/1789
 WEBS 13-14=-158/1269, 3-13=-496/3482, 3-12=-3357/714, 5-9=-681/4032, 10-12=-123/1345, 4-12=-1276/7071, 9-12=-232/708, 5-12=-3363/728, 2-15=-386/1995, 6-9=-955/322, 6-8=-446/2474

NOTES-

- 2-ply truss to be connected together with 10d (0.131"x3") nails as follows:
 Top chords connected as follows: 2x6 - 2 rows staggered at 0-9-0 oc.
 Bottom chords connected as follows: 2x6 - 2 rows staggered at 0-5-0 oc.
 Webs connected as follows: 2x4 - 1 row at 0-9-0 oc.
- All loads are considered equally applied to all plies, except if noted as front (F) or back (B) face in the LOAD CASE(S) section. Ply to ply connections have been provided to distribute only loads noted as (F) or (B), unless otherwise indicated.
- Unbalanced roof live loads have been considered for this design.
- Wind: ASCE 7-10; Vult=150mph Vasd=119mph; TCDL=6.0psf; BCDL=6.0psf; h=15ft; Cat. II; Exp C; Enclosed; MWFRS (envelope); Lumber DOL=1.60 plate grip DOL=1.60
- This truss has been designed for a 10.0 psf bottom chord live load nonconcurrent with any other live loads.
- * This truss has been designed for a live load of 30.0psf on the bottom chord in all areas where a rectangle 3-6-0 tall by 2-0-0 wide will fit between the bottom chord and any other members.
- Provide mechanical connection (by others) of truss to bearing plate capable of withstanding 1263 lb uplift at joint 1 and 1390 lb uplift at joint 7.
- This truss is designed in accordance with the 2015 International Residential Code sections R502.11.1 and R802.10.2 and referenced standard ANSI/TPI 1.



November 7, 2024

Continued on page 2

WARNING - Verify design parameters and READ NOTES ON THIS AND INCLUDED MITEK REFERENCE PAGE MII-7473 rev. 1/2/2023 BEFORE USE.
 Design valid for use only with MiTek® connectors. This design is based only upon parameters shown, and is for an individual building component, not a truss system. Before use, the building designer must verify the applicability of design parameters and properly incorporate this design into the overall building design. Bracing indicated is to prevent buckling of individual truss web and/or chord members only. Additional temporary and permanent bracing is always required for stability and to prevent collapse with possible personal injury and property damage. For general guidance regarding the fabrication, storage, delivery, erection and bracing of trusses and truss systems, see **ANSI/TP1 Quality Criteria and DSB-22** available from Truss Plate Institute (www.tpinst.org) and **BCSI Building Component Safety Information** available from the Structural Building Component Association (www.sbcacomponents.com)

ENGINEERING BY
TRENCO
 A MiTek Affiliate
 818 Soundside Road
 Edenton, NC 27932

Job J1224-6809	Truss C1-GR	Truss Type Roof Special Girder	Qty 1	Ply 2	Lot 16 West Preserve Job Reference (optional)	I69436102
-------------------	----------------	-----------------------------------	----------	----------	--	-----------

Comtech, Inc., Fayetteville, NC 28309

8.630 s Jul 12 2024 MiTek Industries, Inc. Wed Nov 6 21:38:10 2024 Page 2
ID:I4HRAT3eIT9qoRIdAoEs_5z0Axy-BtrF28B6GfOJherDI0LRvFE2dg6KEu8k_GmO1CylN9R

NOTES-

9) Hanger(s) or other connection device(s) shall be provided sufficient to support concentrated load(s) 1313 lb down and 242 lb up at 2-0-12, 1318 lb down and 252 lb up at 4-0-12, 1318 lb down and 252 lb up at 6-0-12, 1318 lb down and 252 lb up at 8-0-12, 1318 lb down and 252 lb up at 10-0-12, 1505 lb down and 242 lb up at 12-0-12, 1505 lb down and 242 lb up at 14-0-12, 1505 lb down and 242 lb up at 16-0-12, and 2002 lb down and 393 lb up at 18-0-12, and 808 lb down and 202 lb up at 20-0-12 on bottom chord. The design/selection of such connection device(s) is the responsibility of others.

LOAD CASE(S) Standard

1) Dead + Roof Live (balanced): Lumber Increase=1.15, Plate Increase=1.15

Uniform Loads (plf)

Vert: 1-4=-60, 4-7=-60, 12-29=-20, 1-7=-20, 2-29=-20

Concentrated Loads (lb)

Vert: 16=-1318(B) 17=-1318(B) 18=-1318(B) 19=-1313(B) 20=-1318(B) 23=-1313(B) 24=-1313(B) 25=-1313(B) 26=-1934(B) 27=-739(B)

WARNING - Verify design parameters and READ NOTES ON THIS AND INCLUDED MITEK REFERENCE PAGE MII-7473 rev. 1/2/2023 BEFORE USE.

Design valid for use only with MiTek® connectors. This design is based only upon parameters shown, and is for an individual building component, not a truss system. Before use, the building designer must verify the applicability of design parameters and properly incorporate this design into the overall building design. Bracing indicated is to prevent buckling of individual truss web and/or chord members only. Additional temporary and permanent bracing is always required for stability and to prevent collapse with possible personal injury and property damage. For general guidance regarding the fabrication, storage, delivery, erection and bracing of trusses and truss systems, see **ANSI/TP1 Quality Criteria and DSB-22** available from Truss Plate Institute (www.tpinst.org) and **BCSI Building Component Safety Information** available from the Structural Building Component Association (www.sbcacomponents.com)

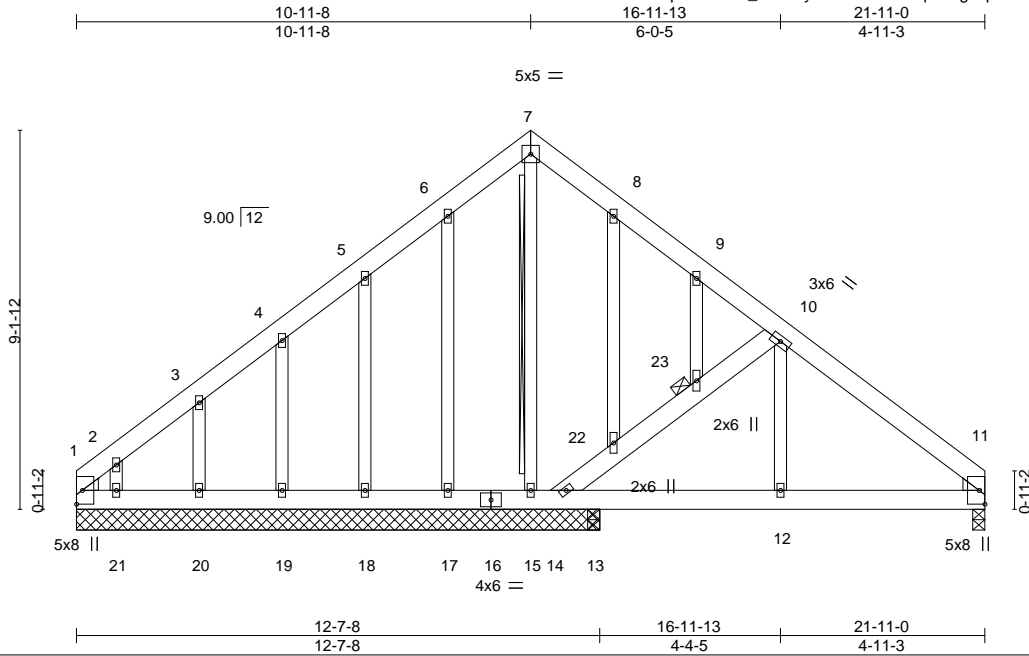


818 Soundside Road
Edenton, NC 27932

Job	Truss	Truss Type	Qty	Ply	Lot 16 West Preserve	169436103
J1224-6809	C1SG	GABLE	1	1		
Comtech, Inc. Fayetteville, NC - 28314,						Job Reference (optional)

Comtech, Inc. Fayetteville, NC - 28314,

8.630 s Sep 26 2024 MiTek Industries, Inc. Wed Nov 6 14:43:25 2024 Page 1
 ID:I4HRAT3eIT9qoRldAoEs_5z0Axy-RfC?PsB70Hq3NSgPqnL8w3uITXbGKWrCDoi7J4zJC?f



Scale = 1:55.6

LOADING (psf)	SPACING-	2-0-0	CSI.	DEFL.	in (loc)	l/defl	L/d	PLATES	GRIP
TCLL 20.0	Plate Grip DOL	1.15	TC 0.14	Vert(LL)	-0.00 11-12	>999	360	MT20	244/190
TCDL 10.0	Lumber DOL	1.15	BC 0.12	Vert(CT)	-0.01 11-12	>999	240		
BCLL 0.0 *	Rep Stress Incr	YES	WB 0.12	Horz(CT)	0.00 11	n/a	n/a		
BCDL 10.0	Code IRC2015/TPI2014		Matrix-S	Wind(LL)	0.01 11-12	>999	240		
								Weight: 191 lb	FT = 20%

LUMBER-	BRACING-
TOP CHORD 2x6 SP No.1	TOP CHORD Structural wood sheathing directly applied or 6-0-0 oc purlins.
BOT CHORD 2x6 SP No.1	BOT CHORD Rigid ceiling directly applied or 6-0-0 oc bracing, Except:
WEBS 2x6 SP No.1 *Except*	10-0-0 oc bracing: 13-14,12-13,11-12.
10-12: 2x4 SP No.2	WEBS T-Brace: 2x4 SPF No.2 - 7-15
OTHERS 2x4 SP No.2	Fasten (2X) T and I braces to narrow edge of web with 10d
WEDGE	(0.131"x3") nails, 6in o.c., with 3in minimum end distance.
Left: 2x4 SP No.2, Right: 2x4 SP No.2	Brace must cover 90% of web length.
	JOINTS 1 Brace at Jt(s): 23
REACTIONS. All bearings 12-7-8 except (jt=length) 11=0-3-8, 13=0-3-8.	
(lb) - Max Horz 1=-344(LC 8)	
Max Uplift All uplift 100 lb or less at joint(s) except 1=-222(LC 10), 11=-139(LC 13),	
14=-335(LC 13), 17=-108(LC 12), 18=-159(LC 12), 19=-144(LC 12), 20=-157(LC	
12), 21=-257(LC 12)	
Max Grav All reactions 250 lb or less at joint(s) 17, 18, 19, 20, 21, 13 except	
1=369(LC 12), 11=390(LC 1), 14=281(LC 20), 15=257(LC 1)	
FORCES. (lb) - Max. Comp./Max. Ten. - All forces 250 (lb) or less except when shown.	
TOP CHORD 1-2=-492/348, 2-3=-311/231, 10-11=-423/170	
BOT CHORD 1-21=-247/331, 20-21=-247/331, 19-20=-247/331, 18-19=-247/331, 17-18=-247/331,	
15-17=-247/331, 14-15=-247/331, 13-14=-12/279, 12-13=-12/279, 11-12=-12/279	
WEBS 14-22=-618/439, 22-23=-539/373, 10-23=-542/374, 2-21=-236/254	

- NOTES-**
- Unbalanced roof live loads have been considered for this design.
 - Wind: ASCE 7-10; Vult=150mph Vasd=119mph; TC DL=6.0psf; BCDL=6.0psf; h=15ft; Cat. II; Exp C; Enclosed; MWFRS (envelope) gable end zone and C-C Exterior(2) zone; C-C for members and forces & MWFRS for reactions shown; Lumber DOL=1.60 plate grip DOL=1.60
 - Truss designed for wind loads in the plane of the truss only. For studs exposed to wind (normal to the face), see Standard Industry Gable End Details as applicable, or consult qualified building designer as per ANSI/TPI 1.
 - All plates are 2x4 MT20 unless otherwise indicated.
 - Gable studs spaced at 2-0-0 oc.
 - This truss has been designed for a 10.0 psf bottom chord live load nonconcurrent with any other live loads.
 - * This truss has been designed for a live load of 30.0psf on the bottom chord in all areas where a rectangle 3-6-0 tall by 2-0-0 wide will fit between the bottom chord and any other members.
 - Provide mechanical connection (by others) of truss to bearing plate capable of withstanding 222 lb uplift at joint 1, 139 lb uplift at joint 11, 335 lb uplift at joint 14, 108 lb uplift at joint 17, 159 lb uplift at joint 18, 144 lb uplift at joint 19, 157 lb uplift at joint 20 and 257 lb uplift at joint 21.
 - Warning: Additional permanent and stability bracing for truss system (not part of this component design) is always required.



November 7, 2024

WARNING - Verify design parameters and READ NOTES ON THIS AND INCLUDED MITEK REFERENCE PAGE MII-7473 rev. 1/2/2023 BEFORE USE.

Design valid for use only with MiTek® connectors. This design is based only upon parameters shown, and is for an individual building component, not a truss system. Before use, the building designer must verify the applicability of design parameters and properly incorporate this design into the overall building design. Bracing indicated is to prevent buckling of individual truss web and/or chord members only. Additional temporary and permanent bracing is always required for stability and to prevent collapse with possible personal injury and property damage. For general guidance regarding the fabrication, storage, delivery, erection and bracing of trusses and truss systems, see **ANSI/TPI Quality Criteria and DSB-22** available from Truss Plate Institute (www.tpinst.org) and **BCSI Building Component Safety Information** available from the Structural Building Component Association (www.sbcacomponents.com)

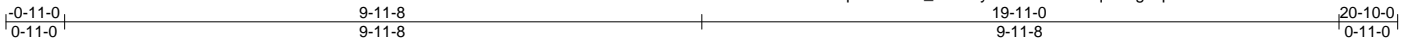
ENGINEERING BY
TRENCO
 A MiTek Affiliate

818 Soundside Road
 Edenton, NC 27932

Job J1224-6809	Truss D1	Truss Type COMMON	Qty 5	Ply 1	Lot 16 West Preserve 169436104
-------------------	-------------	----------------------	----------	----------	-----------------------------------

Comtech, Inc. Fayetteville, NC - 28314,

8.630 s Sep 26 2024 MiTek Industries, Inc. Wed Nov 6 14:43:25 2024 Page 1
ID:I4HRAT3elT9qoRldAoEs_5z0Axy-RfC?PsB70Hq3NSgPqnL8w3uITXbGKWrCDoi7J4zJC?f



Scale = 1:36.0

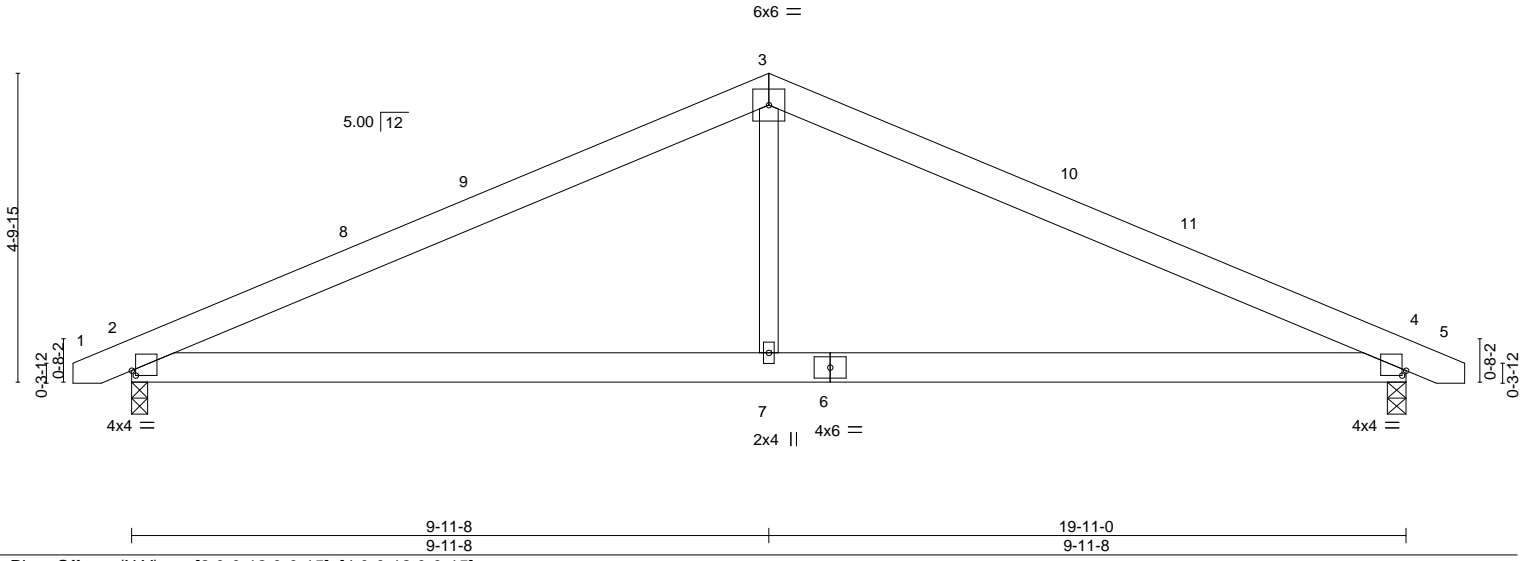


Plate Offsets (X,Y)--	[2:0-0-12,0-0-15], [4:0-0-12,0-0-15]
-----------------------	--------------------------------------

LOADING (psf)	SPACING-	2-0-0	CSI.	DEFL.	in (loc)	l/defl	L/d	PLATES	GRIP
TCLL 20.0	Plate Grip DOL	1.15	TC 0.50	Vert(LL)	-0.05	2-7	>999	MT20	244/190
TCDL 10.0	Lumber DOL	1.15	BC 0.37	Vert(CT)	-0.13	2-7	>999		
BCLL 0.0 *	Rep Stress Incr	YES	WB 0.11	Horz(CT)	0.02	4	n/a		
BCDL 10.0	Code IRC2015/TPI2014		Matrix-S	Wind(LL)	0.05	2-7	>999		
								Weight: 108 lb	FT = 20%

LUMBER-	BRACING-
TOP CHORD 2x6 SP No.1	TOP CHORD Structural wood sheathing directly applied or 5-10-8 oc purlins.
BOT CHORD 2x6 SP No.1	BOT CHORD Rigid ceiling directly applied or 10-0-0 oc bracing.
WEBS 2x4 SP No.2	

REACTIONS. (size) 4=0-3-8, 2=0-3-0
 Max Horz 2=-71(LC 17)
 Max Uplift 4=-163(LC 13), 2=-162(LC 12)
 Max Grav 4=836(LC 1), 2=835(LC 1)

FORCES. (lb) - Max. Comp./Max. Ten. - All forces 250 (lb) or less except when shown.
 TOP CHORD 2-3=-1239/498, 3-4=-1240/498
 BOT CHORD 2-7=-293/1030, 4-7=-293/1030
 WEBS 3-7=0/477

- NOTES-**
- Unbalanced roof live loads have been considered for this design.
 - Wind: ASCE 7-10; Vult=150mph Vasd=119mph; TC DL=6.0psf; BCDL=6.0psf; h=15ft; Cat. II; Exp C; Enclosed; MWFRS (envelope) and C-C Exterior(2) -0-8-6 to 3-8-7, Interior(1) 3-8-7 to 9-11-8, Exterior(2) 9-11-8 to 14-4-5, Interior(1) 14-4-5 to 20-7-6 zone; C-C for members and forces & MWFRS for reactions shown; Lumber DOL=1.60 plate grip DOL=1.60
 - This truss has been designed for a 10.0 psf bottom chord live load nonconcurrent with any other live loads.
 - * This truss has been designed for a live load of 30.0psf on the bottom chord in all areas where a rectangle 3-6-0 tall by 2-0-0 wide will fit between the bottom chord and any other members.
 - Provide mechanical connection (by others) of truss to bearing plate capable of withstanding 163 lb uplift at joint 4 and 162 lb uplift at joint 2.



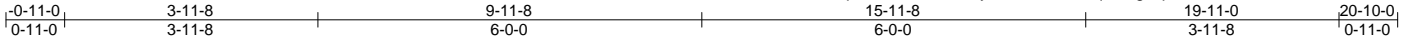
November 7, 2024

Job J1224-6809	Truss D1-GR	Truss Type Common Girder	Qty 1	Ply 2	Lot 16 West Preserve Job Reference (optional)	169436105
-------------------	----------------	-----------------------------	----------	----------	--	-----------

Comtech, Inc. Fayetteville, NC - 28314,

8.630 s Sep 26 2024 MiTek Industries, Inc. Wed Nov 6 14:43:26 2024 Page 1

ID:I4HRAT3elT9qoRldAoEs_5z0Axy-RfC?PsB70Hq3NSgPqnL8w3ulTXbGKWrCDoi7J4zJC?f



Scale = 1:36.0

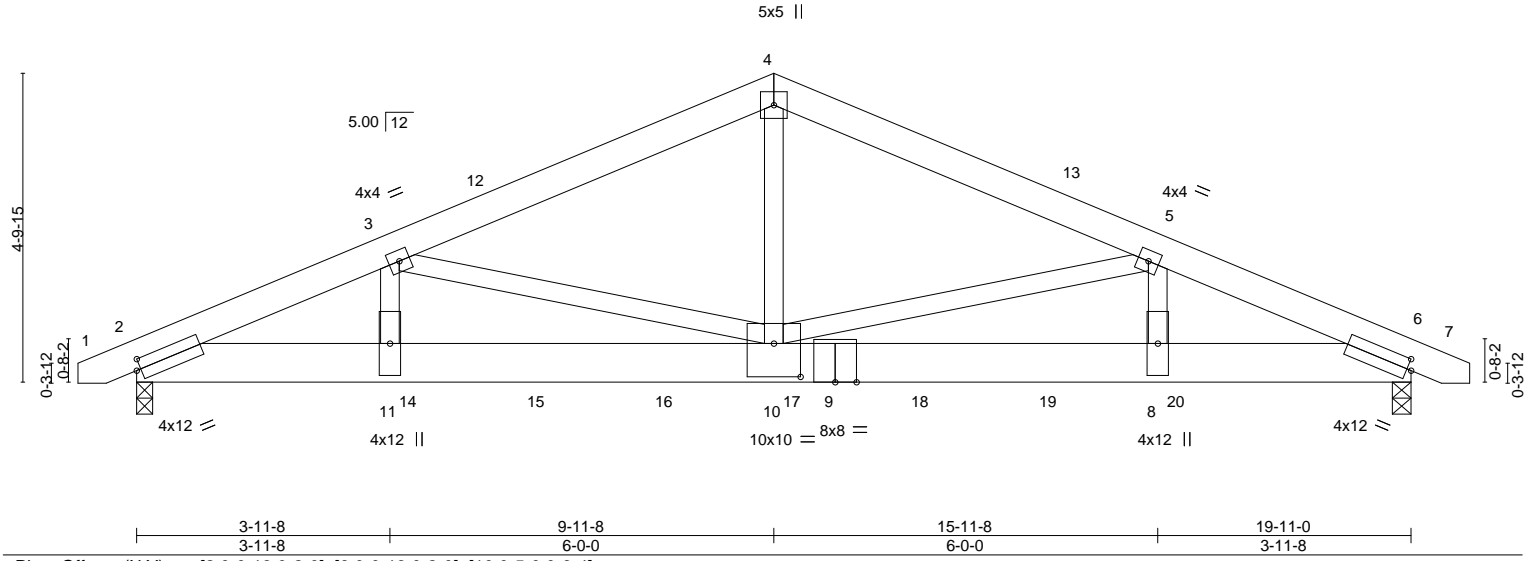


Plate Offsets (X,Y)--	[2:0-0-13,0-2-0], [6:0-0-13,0-2-0], [10:0-5-0,0-6-4]
-----------------------	--

LOADING (psf)	SPACING-	CSI.	DEFL.	PLATES	GRIP
TCLL 20.0	2-0-0	TC 0.30	Vert(LL) -0.11 10-11 >999 360	MT20	244/190
TCDL 10.0	Plate Grip DOL 1.15	BC 0.52	Vert(CT) -0.21 10-11 >999 240		
BCLL 0.0 *	Lumber DOL 1.15	WB 0.71	Horz(CT) 0.05 6 n/a n/a		
BCDL 10.0	Rep Stress Incr NO	Matrix-S	Wind(LL) 0.17 10-11 >999 240	Weight: 287 lb	FT = 20%
	Code IRC2015/TPI2014				

LUMBER-	BRACING-
TOP CHORD 2x6 SP No.1	TOP CHORD Structural wood sheathing directly applied or 4-11-11 oc purlins.
BOT CHORD 2x8 SP 2400F 2.0E	BOT CHORD Rigid ceiling directly applied or 10-0-0 oc bracing.
WEBS 2x4 SP No.2	

REACTIONS. (size) 2=0-3-0, 6=0-3-8
 Max Horz 2=71(LC 16)
 Max Uplift 2=1117(LC 12), 6=-1143(LC 13)
 Max Grav 2=4774(LC 1), 6=4878(LC 1)

FORCES. (lb) - Max. Comp./Max. Ten. - All forces 250 (lb) or less except when shown.
 TOP CHORD 2-3=-10630/5726, 3-4=-8175/4476, 4-5=-8176/4476, 5-6=-10617/5719
 BOT CHORD 2-11=-5109/9566, 10-11=-5109/9566, 8-10=-5111/9550, 6-8=-5111/9550
 WEBS 4-10=-3078/5748, 5-10=-2162/1217, 5-8=-890/1816, 3-10=-2178/1226, 3-11=-890/1816

- NOTES-**
- 2-ply truss to be connected together with 10d (0.131"x3") nails as follows:
 Top chords connected as follows: 2x6 - 2 rows staggered at 0-9-0 oc.
 Bottom chords connected as follows: 2x8 - 2 rows staggered at 0-9-0 oc.
 Webs connected as follows: 2x4 - 1 row at 0-9-0 oc.
 - All loads are considered equally applied to all plies, except if noted as front (F) or back (B) face in the LOAD CASE(S) section. Ply to ply connections have been provided to distribute only loads noted as (F) or (B), unless otherwise indicated.
 - Unbalanced roof live loads have been considered for this design.
 - Wind: ASCE 7-10; Vult=150mph Vasd=119mph; TC DL=6.0psf; BCDL=6.0psf; h=15ft; Cat. II; Exp C; Enclosed; MWFRS (envelope) and C-C Exterior(2) -0-8-6 to 3-11-8, Interior(1) 3-11-8 to 9-11-8, Exterior(2) 9-11-8 to 14-4-5, Interior(1) 14-4-5 to 20-7-6 zone; C-C for members and forces & MWFRS for reactions shown; Lumber DOL=1.60 plate grip DOL=1.60
 - This truss has been designed for a 10.0 psf bottom chord live load nonconcurrent with any other live loads.
 - * This truss has been designed for a live load of 30.0psf on the bottom chord in all areas where a rectangle 3-6-0 tall by 2-0-0 wide will fit between the bottom chord and any other members.
 - Provide mechanical connection (by others) of truss to bearing plate capable of withstanding 100 lb uplift at joint(s) except (jt=lb) 2=1117, 6=1143.
 - Hanger(s) or other connection device(s) shall be provided sufficient to support concentrated load(s) 1185 lb down and 664 lb up at 4-3-4, 1185 lb down and 664 lb up at 6-3-4, 1185 lb down and 664 lb up at 8-3-4, 1185 lb down and 664 lb up at 10-3-4, 1185 lb down and 664 lb up at 12-3-4, and 1028 lb down and 576 lb up at 14-3-4, and 1028 lb down and 576 lb up at 16-3-4 on bottom chord. The design/selection of such connection device(s) is the responsibility of others.

LOAD CASE(S) Standard
 1) Dead + Roof Live (balanced): Lumber Increase=1.15, Plate Increase=1.15
 Uniform Loads (plf)
 Vert: 1-4=-60, 4-7=-60, 2-6=-20



November 7, 2024

Continued on page 2

<p>WARNING - Verify design parameters and READ NOTES ON THIS AND INCLUDED MITEK REFERENCE PAGE MII-7473 rev. 1/2/2023 BEFORE USE.</p> <p>Design valid for use only with MiTek® connectors. This design is based only upon parameters shown, and is for an individual building component, not a truss system. Before use, the building designer must verify the applicability of design parameters and properly incorporate this design into the overall building design. Bracing indicated is to prevent buckling of individual truss web and/or chord members only. Additional temporary and permanent bracing is always required for stability and to prevent collapse with possible personal injury and property damage. For general guidance regarding the fabrication, storage, delivery, erection and bracing of trusses and truss systems, see ANSI/TPH Quality Criteria and DSB-22 available from Truss Plate Institute (www.tpinst.org) and BCSI Building Component Safety Information available from the Structural Building Component Association (www.sbccomponents.com)</p>	<p>818 Soundside Road Edenton, NC 27932</p>
---	---

Job J1224-6809	Truss D1-GR	Truss Type Common Girder	Qty 1	Ply 2	Lot 16 West Preserve Job Reference (optional)	I69436105
-------------------	----------------	-----------------------------	----------	-----------------	--	-----------

Comtech, Inc. Fayetteville, NC - 28314,

8.630 s Sep 26 2024 MiTek Industries, Inc. Wed Nov 6 14:43:26 2024 Page 2
ID:I4HRAT3elT9qoRldAoEs_5z0Axy-RfC?PsB70Hq3NSgPqnL8w3uITXbGKWrCDoi7J4zJC?f

LOAD CASE(S) Standard

Concentrated Loads (lb)

Vert: 14=-1185(F) 15=-1185(F) 16=-1185(F) 17=-1185(F) 18=-1185(F) 19=-1028(F) 20=-1028(F)

WARNING - Verify design parameters and READ NOTES ON THIS AND INCLUDED MITEK REFERENCE PAGE MII-7473 rev. 1/2/2023 BEFORE USE.

Design valid for use only with MiTek® connectors. This design is based only upon parameters shown, and is for an individual building component, not a truss system. Before use, the building designer must verify the applicability of design parameters and properly incorporate this design into the overall building design. Bracing indicated is to prevent buckling of individual truss web and/or chord members only. Additional temporary and permanent bracing is always required for stability and to prevent collapse with possible personal injury and property damage. For general guidance regarding the fabrication, storage, delivery, erection and bracing of trusses and truss systems, see **ANSI/TP1 Quality Criteria and DSB-22** available from Truss Plate Institute (www.tpinst.org) and **BCSI Building Component Safety Information** available from the Structural Building Component Association (www.sbcacomponents.com)

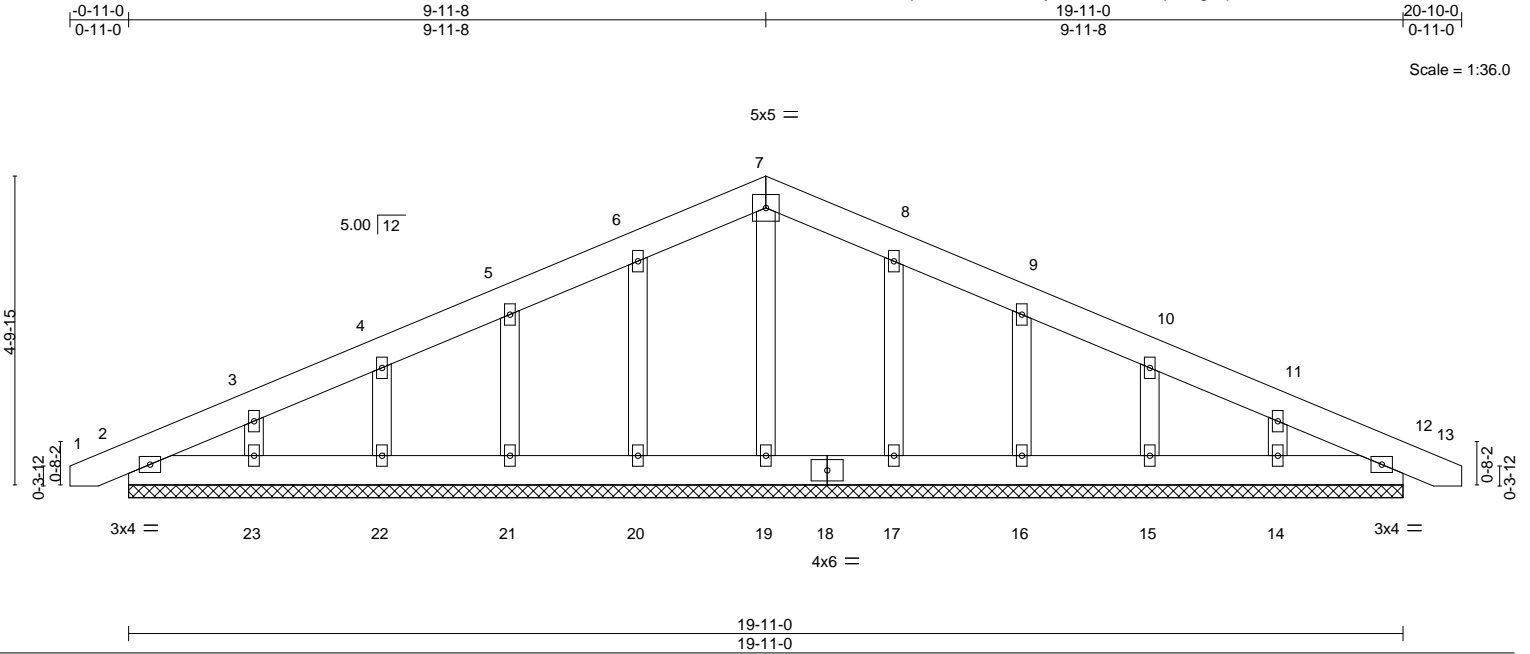
ENGINEERING BY
TRENCO
A MITEK Affiliate

818 Soundside Road
Edenton, NC 27932

Job J1224-6809	Truss D1GE	Truss Type GABLE	Qty 1	Ply 1	Lot 16 West Preserve Job Reference (optional)	169436106
-------------------	---------------	---------------------	----------	----------	--	-----------

Comtech, Inc. Fayetteville, NC - 28314,

8.630 s Sep 26 2024 MiTek Industries, Inc. Wed Nov 6 14:43:26 2024 Page 1
ID:I4HRAT3elT9qoRldAoEs_5z0Axy-RfC?PsB70Hq3NSgPqnL8w3uITXbGKWrCDoi7J4zJC?f



LOADING (psf)	SPACING-	2-0-0	CSI.	DEFL.	in (loc)	l/defl	L/d	PLATES	GRIP
TCLL 20.0	Plate Grip DOL	1.15	TC 0.03	Vert(LL)	0.00 12	n/r	120	MT20	244/190
TCDL 10.0	Lumber DOL	1.15	BC 0.01	Vert(CT)	0.00 12	n/r	120		
BCLL 0.0 *	Rep Stress Incr	YES	WB 0.03	Horz(CT)	0.00 12	n/a	n/a		
BCDL 10.0	Code IRC2015/TPI2014		Matrix-S					Weight: 130 lb	FT = 20%

LUMBER-
 TOP CHORD 2x6 SP No.1
 BOT CHORD 2x6 SP No.1
 OTHERS 2x4 SP No.2

BRACING-
 TOP CHORD Structural wood sheathing directly applied or 6-0-0 oc purlins.
 BOT CHORD Rigid ceiling directly applied or 10-0-0 oc bracing.

REACTIONS. All bearings 19-11-0.
 (lb) - Max Horz 2=-120(LC 13)
 Max Uplift All uplift 100 lb or less at joint(s) 12, 2, 20, 22, 17, 15 except 21=-102(LC 12), 23=-116(LC 12), 16=-103(LC 13), 14=-112(LC 13)
 Max Grav All reactions 250 lb or less at joint(s) 12, 2, 19, 20, 21, 22, 23, 17, 16, 15, 14

FORCES. (lb) - Max. Comp./Max. Ten. - All forces 250 (lb) or less except when shown.

NOTES-

- Unbalanced roof live loads have been considered for this design.
- Wind: ASCE 7-10; Vult=150mph Vasd=119mph; TCDL=6.0psf; BCDL=6.0psf; h=15ft; Cat. II; Exp C; Enclosed; MWFRS (envelope) gable end zone and C-C Exterior(2) zone; C-C for members and forces & MWFRS for reactions shown; Lumber DOL=1.60 plate grip DOL=1.60
- Truss designed for wind loads in the plane of the truss only. For studs exposed to wind (normal to the face), see Standard Industry Gable End Details as applicable, or consult qualified building designer as per ANSI/TPI 1.
- All plates are 2x4 MT20 unless otherwise indicated.
- Gable requires continuous bottom chord bearing.
- Gable studs spaced at 2-0-0 oc.
- This truss has been designed for a 10.0 psf bottom chord live load nonconcurrent with any other live loads.
- * This truss has been designed for a live load of 30.0psf on the bottom chord in all areas where a rectangle 3-6-0 tall by 2-0-0 wide will fit between the bottom chord and any other members.
- Provide mechanical connection (by others) of truss to bearing plate capable of withstanding 100 lb uplift at joint(s) 12, 2, 20, 22, 17, 15 except (jt=lb) 21=102, 23=116, 16=103, 14=112.



November 7, 2024

WARNING - Verify design parameters and READ NOTES ON THIS AND INCLUDED MITEK REFERENCE PAGE MII-7473 rev. 1/2/2023 BEFORE USE.
 Design valid for use only with MiTek® connectors. This design is based only upon parameters shown, and is for an individual building component, not a truss system. Before use, the building designer must verify the applicability of design parameters and properly incorporate this design into the overall building design. Bracing indicated is to prevent buckling of individual truss web and/or chord members only. Additional temporary and permanent bracing is always required for stability and to prevent collapse with possible personal injury and property damage. For general guidance regarding the fabrication, storage, delivery, erection and bracing of trusses and truss systems, see **ANSI/TPI1 Quality Criteria and DSB-22** available from Truss Plate Institute (www.tpinst.org) and **BCSI Building Component Safety Information** available from the Structural Building Component Association (www.sbcacomponents.com)

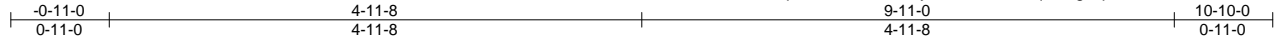
ENGINEERING BY
TRENCO
 A MiTek Affiliate
 818 Soundside Road
 Edenton, NC 27932

Job	Truss	Truss Type	Qty	Ply	Lot 16 West Preserve	I69436107
J1224-6809	G1	COMMON	4	1		

Comtech, Inc. Fayetteville, NC - 28314,

8.630 s Sep 26 2024 MiTek Industries, Inc. Wed Nov 6 14:43:27 2024 Page 1

ID:I4HRAT3elT9qoRldAoEs_5z0Axy-RfC?PsB70Hq3NSgPqnL8w3uITXbGKWrCDoi7J4zJC?f



Scale = 1:21.5

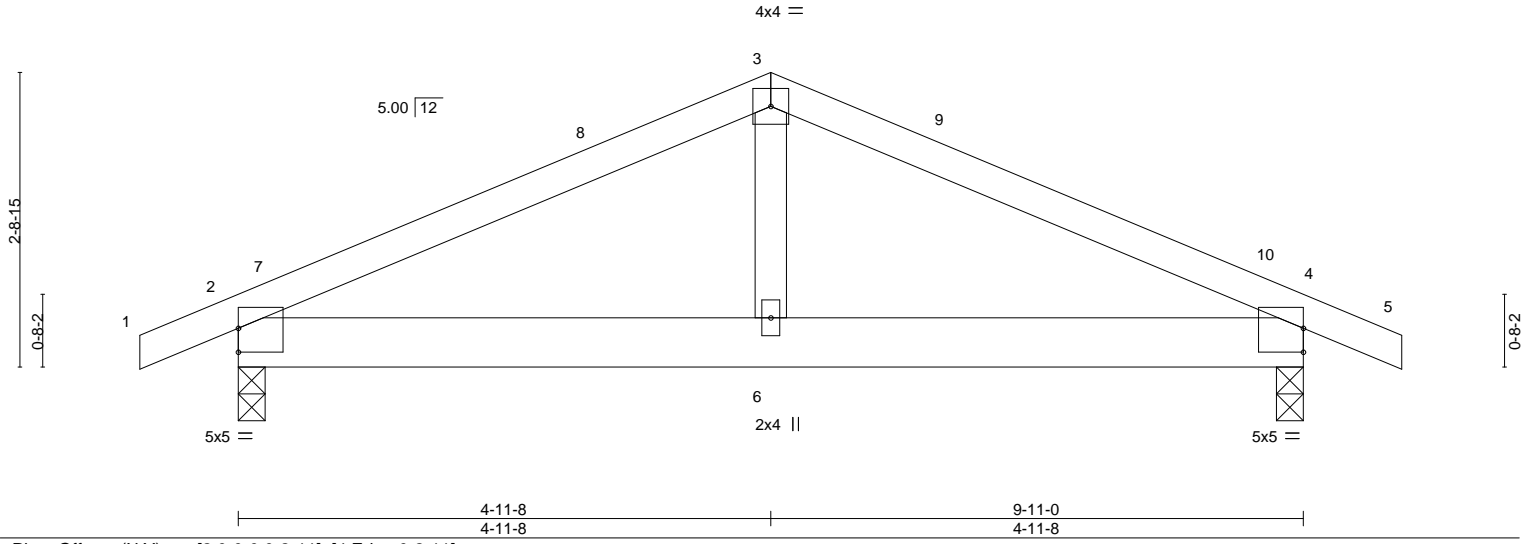


Plate Offsets (X,Y)--	[2:0-0-0,0-2-11], [4:Edge,0-2-11]
-----------------------	-----------------------------------

LOADING (psf)	SPACING-	2-0-0	CSI.	DEFL.	in	(loc)	l/defl	L/d	PLATES	GRIP
TCLL 20.0	Plate Grip DOL	1.15	TC 0.29	Vert(LL)	0.03	2-6	>999	240	MT20	244/190
TCDL 10.0	Lumber DOL	1.15	BC 0.57	Vert(CT)	-0.01	4-6	>999	240		
BCLL 0.0 *	Rep Stress Incr	YES	WB 0.05	Horz(CT)	-0.00	4	n/a	n/a		
BCDL 10.0	Code IRC2015/TPI2014		Matrix-S							
									Weight: 45 lb	FT = 20%

LUMBER-	BRACING-
TOP CHORD 2x4 SP No.1	TOP CHORD Structural wood sheathing directly applied or 6-0-0 oc purlins.
BOT CHORD 2x6 SP No.1	BOT CHORD Rigid ceiling directly applied or 9-2-9 oc bracing.
WEBS 2x4 SP No.2	

REACTIONS. (size) 2=0-3-0, 4=0-3-0
 Max Horz 2=-39(LC 17)
 Max Uplift 2=-225(LC 8), 4=-225(LC 9)
 Max Grav 2=449(LC 1), 4=449(LC 1)

FORCES. (lb) - Max. Comp./Max. Ten. - All forces 250 (lb) or less except when shown.
 TOP CHORD 2-3=-554/872, 3-4=-554/872
 BOT CHORD 2-6=-667/437, 4-6=-667/437
 WEBS 3-6=-461/239

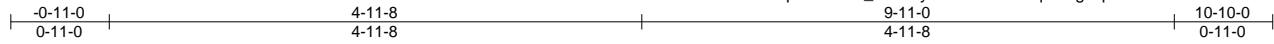
- NOTES-**
- Unbalanced roof live loads have been considered for this design.
 - Wind: ASCE 7-10; Vult=150mph Vasd=119mph; TC DL=6.0psf; BCDL=6.0psf; h=15ft; Cat. II; Exp C; Enclosed; MWFRS (envelope) and C-C Exterior(2) -0-11-0 to 3-5-13, Interior(1) 3-5-13 to 4-11-8, Exterior(2) 4-11-8 to 9-4-5, Interior(1) 9-4-5 to 10-10-0 zone; porch left and right exposed; C-C for members and forces & MWFRS for reactions shown; Lumber DOL=1.60 plate grip DOL=1.60
 - This truss has been designed for a 10.0 psf bottom chord live load nonconcurrent with any other live loads.
 - * This truss has been designed for a live load of 30.0psf on the bottom chord in all areas where a rectangle 3-6-0 tall by 2-0-0 wide will fit between the bottom chord and any other members.
 - Provide mechanical connection (by others) of truss to bearing plate capable of withstanding 100 lb uplift at joint(s) except (jt=lb) 2=225, 4=225.



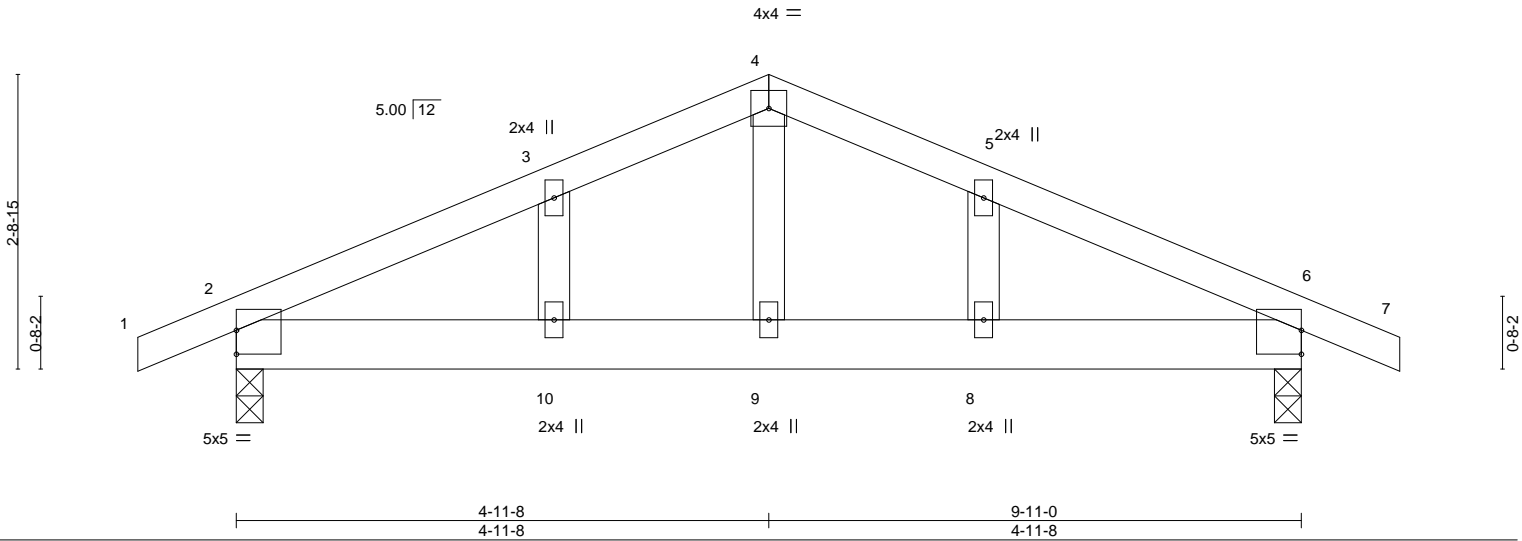
<p>WARNING - Verify design parameters and READ NOTES ON THIS AND INCLUDED MITEK REFERENCE PAGE MII-7473 rev. 1/2/2023 BEFORE USE.</p> <p>Design valid for use only with MiTek® connectors. This design is based only upon parameters shown, and is for an individual building component, not a truss system. Before use, the building designer must verify the applicability of design parameters and properly incorporate this design into the overall building design. Bracing indicated is to prevent buckling of individual truss web and/or chord members only. Additional temporary and permanent bracing is always required for stability and to prevent collapse with possible personal injury and property damage. For general guidance regarding the fabrication, storage, delivery, erection and bracing of trusses and truss systems, see ANSI/TPH Quality Criteria and DSB-22 available from Truss Plate Institute (www.tpinst.org) and BCSI Building Component Safety Information available from the Structural Building Component Association (www.sbcacomponents.com)</p>	<p>ENGINEERING BY</p> <p>TRENCO</p> <p>A MITEK Affiliate</p> <p>818 Soundside Road Edenton, NC 27932</p>
--	---

Job	Truss	Truss Type	Qty	Ply	Lot 16 West Preserve	169436108
J1224-6809	G1GE	GABLE	1	1		
Comtech, Inc. Fayetteville, NC - 28314,						Job Reference (optional)

8.630 s Sep 26 2024 MiTek Industries, Inc. Wed Nov 6 14:43:27 2024 Page 1
 ID:I4HRAT3elT9qoRldAoEs_5z0Axy-RfC?PsB70Hq3NSgPqnL8w3uITXbGKWrCDoi7J4zJC?f



Scale = 1:21.5



LOADING (psf)	SPACING-	CSI.	DEFL.	PLATES	GRIP
TCLL 20.0	2-0-0	TC 0.23	in (loc) l/defl L/d	MT20	244/190
TCDL 10.0	Plate Grip DOL 1.15	BC 0.42	Vert(LL) -0.01 8 >999 360		
BCLL 0.0 *	Lumber DOL 1.15	WB 0.06	Vert(CT) -0.02 8 >999 240		
BCDL 10.0	Rep Stress Incr YES	Matrix-S	Horz(CT) -0.01 6 n/a n/a		
	Code IRC2015/TPI2014		Wind(LL) 0.02 8 >999 240	Weight: 49 lb	FT = 20%

LUMBER-
 TOP CHORD 2x4 SP No.1
 BOT CHORD 2x6 SP No.1
 WEBS 2x4 SP No.2
 OTHERS 2x4 SP No.2

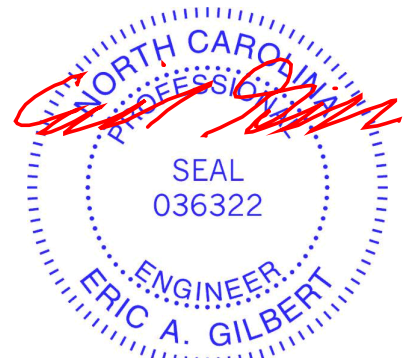
BRACING-
 TOP CHORD Structural wood sheathing directly applied or 6-0-0 oc purlins.
 BOT CHORD Rigid ceiling directly applied or 9-1-14 oc bracing.

REACTIONS. (size) 2=0-3-0, 6=0-3-0
 Max Horz 2=-66(LC 13)
 Max Uplift 2=-297(LC 8), 6=-297(LC 9)
 Max Grav 2=449(LC 1), 6=449(LC 1)

FORCES. (lb) - Max. Comp./Max. Ten. - All forces 250 (lb) or less except when shown.
 TOP CHORD 2-3=-541/873, 3-4=-494/920, 4-5=-494/920, 5-6=-541/873
 BOT CHORD 2-10=-688/437, 9-10=-688/437, 8-9=-688/437, 6-8=-688/437
 WEBS 4-9=-534/232

NOTES-

- 1) Unbalanced roof live loads have been considered for this design.
- 2) Wind: ASCE 7-10; Vult=150mph Vasd=119mph; TCDL=6.0psf; BCDL=6.0psf; h=15ft; Cat. II; Exp C; Enclosed; MWFRS (envelope) gable end zone and C-C Exterior(2) zone; porch left and right exposed;C-C for members and forces & MWFRS for reactions shown; Lumber DOL=1.60 plate grip DOL=1.60
- 3) Truss designed for wind loads in the plane of the truss only. For studs exposed to wind (normal to the face), see Standard Industry Gable End Details as applicable, or consult qualified building designer as per ANSI/TPI 1.
- 4) Gable studs spaced at 2-0-0 oc.
- 5) This truss has been designed for a 10.0 psf bottom chord live load nonconcurrent with any other live loads.
- 6) * This truss has been designed for a live load of 30.0psf on the bottom chord in all areas where a rectangle 3-6-0 tall by 2-0-0 wide will fit between the bottom chord and any other members.
- 7) Provide mechanical connection (by others) of truss to bearing plate capable of withstanding 100 lb uplift at joint(s) except (jt=lb) 2=297, 6=297.



November 7, 2024

WARNING - Verify design parameters and READ NOTES ON THIS AND INCLUDED MITEK REFERENCE PAGE MII-7473 rev. 1/2/2023 BEFORE USE.

Design valid for use only with MiTek® connectors. This design is based only upon parameters shown, and is for an individual building component, not a truss system. Before use, the building designer must verify the applicability of design parameters and properly incorporate this design into the overall building design. Bracing indicated is to prevent buckling of individual truss web and/or chord members only. Additional temporary and permanent bracing is always required for stability and to prevent collapse with possible personal injury and property damage. For general guidance regarding the fabrication, storage, delivery, erection and bracing of trusses and truss systems, see **ANSI/TPI1 Quality Criteria and DSB-22** available from Truss Plate Institute (www.tpinst.org) and **BCSI Building Component Safety Information** available from the Structural Building Component Association (www.sbcacomponents.com)



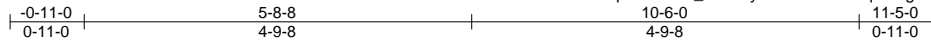
818 Soundside Road
 Edenton, NC 27932

Job J1224-6809	Truss H1GE	Truss Type COMMON SUPPORTED GAB	Qty 1	Ply 1	Lot 16 West Preserve Job Reference (optional)	I69436109
-------------------	---------------	------------------------------------	----------	----------	--	-----------

Comtech, Inc. Fayetteville, NC - 28314,

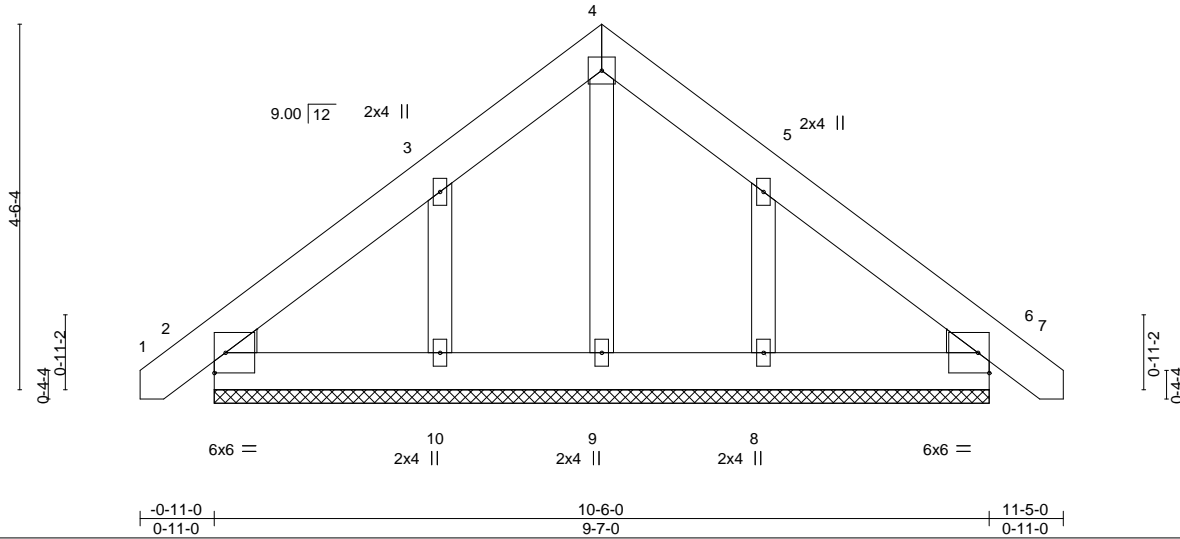
8.630 s Sep 26 2024 MiTek Industries, Inc. Wed Nov 6 14:43:28 2024 Page 1

ID:I4HRAT3elT9qoRldAoEs_5z0Axy-RfC?PsB70Hq3NSgPqnL8w3uITXbGKWrCDoi7J4zJC?f



4x4 =

Scale = 1:28.5



LOADING (psf)	SPACING-	2-0-0	CSI.	DEFL.	in (loc)	l/defl	L/d	PLATES	GRIP
TCLL 20.0	Plate Grip DOL	1.15	TC 0.04	Vert(LL)	0.00	6	n/r	MT20	244/190
TCDL 10.0	Lumber DOL	1.15	BC 0.03	Vert(CT)	0.00	6	n/r		
BCLL 0.0 *	Rep Stress Incr	YES	WB 0.04	Horz(CT)	0.00	6	n/a		
BCDL 10.0	Code IRC2015/TPI2014		Matrix-S					Weight: 69 lb	FT = 20%

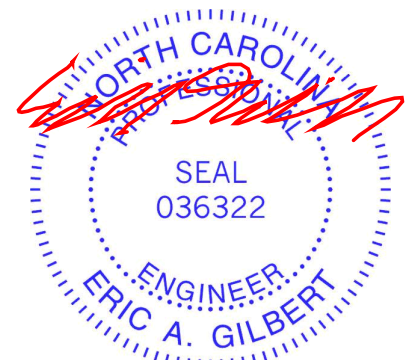
LUMBER-
 TOP CHORD 2x6 SP No.1
 BOT CHORD 2x6 SP No.1
 OTHERS 2x4 SP No.2
 WEDGE
 Left: 2x4 SP No.2 , Right: 2x4 SP No.2

BRACING-
 TOP CHORD Structural wood sheathing directly applied or 6-0-0 oc purlins.
 BOT CHORD Rigid ceiling directly applied or 10-0-0 oc bracing.

REACTIONS. All bearings 9-7-0.
 (lb) - Max Horz 2=166(LC 11)
 Max Uplift All uplift 100 lb or less at joint(s) 2, 6 except 10=229(LC 12), 8=223(LC 13)
 Max Grav All reactions 250 lb or less at joint(s) 2, 6, 9 except 10=283(LC 19), 8=277(LC 20)

FORCES. (lb) - Max. Comp./Max. Ten. - All forces 250 (lb) or less except when shown.
 WEBS 3-10=-279/241, 5-8=-280/237

- NOTES-**
- Unbalanced roof live loads have been considered for this design.
 - Wind: ASCE 7-10; Vult=150mph Vasd=119mph; TC DL=6.0psf; BCDL=6.0psf; h=15ft; Cat. II; Exp C; Enclosed; MWFRS (envelope) gable end zone and C-C Exterior(2) zone; C-C for members and forces & MWFRS for reactions shown; Lumber DOL=1.60 plate grip DOL=1.60
 - Truss designed for wind loads in the plane of the truss only. For studs exposed to wind (normal to the face), see Standard Industry Gable End Details as applicable, or consult qualified building designer as per ANSI/TPI 1.
 - Gable requires continuous bottom chord bearing.
 - Gable studs spaced at 2-0-0 oc.
 - This truss has been designed for a 10.0 psf bottom chord live load nonconcurrent with any other live loads.
 - * This truss has been designed for a live load of 30.0psf on the bottom chord in all areas where a rectangle 3-6-0 tall by 2-0-0 wide will fit between the bottom chord and any other members.
 - Provide mechanical connection (by others) of truss to bearing plate capable of withstanding 100 lb uplift at joint(s) 2, 6 except (jt=lb) 10=229, 8=223.
 - See Standard Industry Piggyback Truss Connection Detail for Connection to base truss as applicable, or consult qualified building designer.



November 7, 2024

WARNING - Verify design parameters and READ NOTES ON THIS AND INCLUDED MITEK REFERENCE PAGE MII-7473 rev. 1/2/2023 BEFORE USE.
 Design valid for use only with MiTek® connectors. This design is based only upon parameters shown, and is for an individual building component, not a truss system. Before use, the building designer must verify the applicability of design parameters and properly incorporate this design into the overall building design. Bracing indicated is to prevent buckling of individual truss web and/or chord members only. Additional temporary and permanent bracing is always required for stability and to prevent collapse with possible personal injury and property damage. For general guidance regarding the fabrication, storage, delivery, erection and bracing of trusses and truss systems, see **ANSI/TPH Quality Criteria and DSB-22** available from Truss Plate Institute (www.tpinst.org) and **BCSI Building Component Safety Information** available from the Structural Building Component Association (www.sbcacomponents.com)

ENGINEERING BY
TRENCO
 A MiTek Affiliate
 818 Soundside Road
 Edenton, NC 27932

Job J1224-6809	Truss J1	Truss Type MONOPICH	Qty 6	Ply 1	Lot 16 West Preserve Job Reference (optional)	169436110
-------------------	-------------	------------------------	----------	----------	--	-----------

Comtech, Inc. Fayetteville, NC - 28314,

8.630 s Sep 26 2024 MiTek Industries, Inc. Wed Nov 6 14:43:28 2024 Page 1
ID:4HRAT3elT9qoRldAoEs_5z0Axy-RfC?PsB70Hq3NSgPqnL8w3uITXbGKWrCDoi7J4zJC?f



Scale = 1:13.4

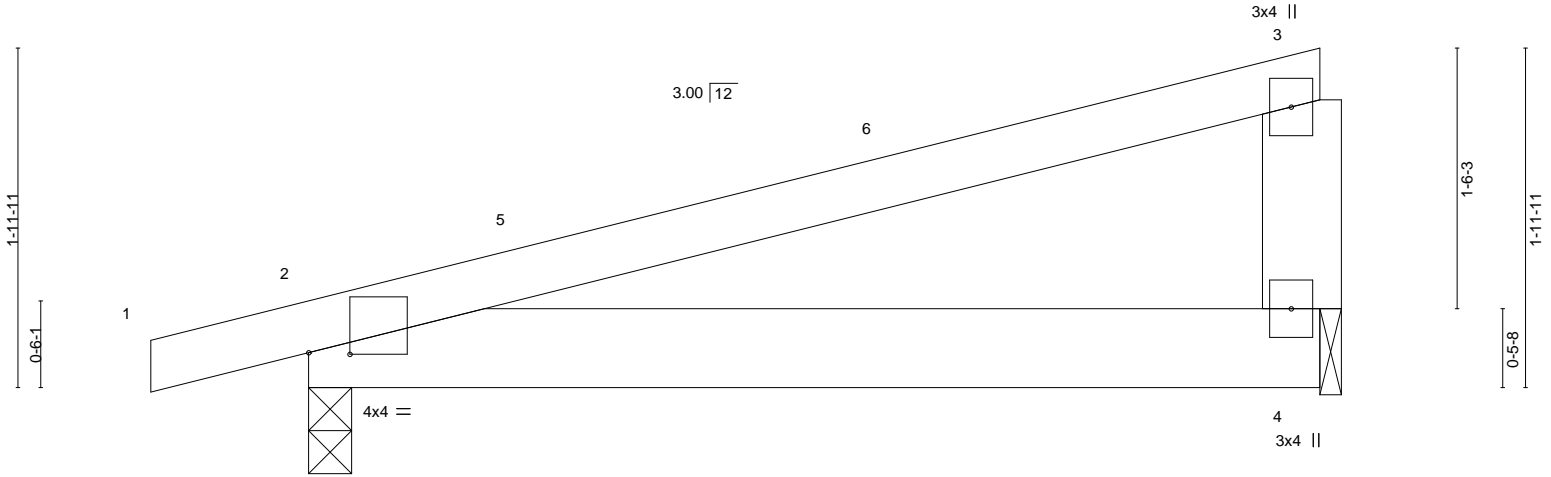


Plate Offsets (X,Y)-- [2:0-2-14,0-0-2]

LOADING (psf)	SPACING-	2-0-0	CSI.	DEFL.	in	(loc)	l/defl	L/d	PLATES	GRIP
TCLL 20.0	Plate Grip DOL	1.15	TC 0.45	Vert(LL)	0.04	2-4	>999	240	MT20	244/190
TCDL 10.0	Lumber DOL	1.15	BC 0.18	Vert(CT)	-0.03	2-4	>999	240		
BCLL 0.0 *	Rep Stress Incr	YES	WB 0.00	Horz(CT)	0.00		n/a	n/a		
BCDL 10.0	Code IRC2015/TPI2014		Matrix-P						Weight: 27 lb	FT = 20%

LUMBER-
TOP CHORD 2x4 SP No.1
BOT CHORD 2x6 SP No.1
WEBS 2x6 SP No.1

BRACING-
TOP CHORD Structural wood sheathing directly applied or 6-0-0 oc purlins, except end verticals.
BOT CHORD Rigid ceiling directly applied or 10-0-0 oc bracing.

REACTIONS. (size) 2=0-3-0, 4=0-1-8
Max Horz 2=75(LC 8)
Max Uplift 2=-188(LC 8), 4=-143(LC 8)
Max Grav 2=294(LC 1), 4=220(LC 1)

FORCES. (lb) - Max. Comp./Max. Ten. - All forces 250 (lb) or less except when shown.

NOTES-

- 1) Wind: ASCE 7-10; Vult=150mph Vasd=119mph; TCDL=6.0psf; BCDL=6.0psf; h=15ft; Cat. II; Exp C; Enclosed; MWFRS (envelope) and C-C Exterior(2) -0-11-0 to 3-5-13, Interior(1) 3-5-13 to 5-9-4 zone; porch left exposed; C-C for members and forces & MWFRS for reactions shown; Lumber DOL=1.60 plate grip DOL=1.60
- 2) This truss has been designed for a 10.0 psf bottom chord live load nonconcurrent with any other live loads.
- 3) * This truss has been designed for a live load of 30.0psf on the bottom chord in all areas where a rectangle 3-6-0 tall by 2-0-0 wide will fit between the bottom chord and any other members.
- 4) Bearing at joint(s) 4 considers parallel to grain value using ANSI/TPI 1 angle to grain formula. Building designer should verify capacity of bearing surface.
- 5) Provide mechanical connection (by others) of truss to bearing plate at joint(s) 4.
- 6) Provide mechanical connection (by others) of truss to bearing plate capable of withstanding 100 lb uplift at joint(s) except (jt=lb) 2=188, 4=143.



November 7, 2024

WARNING - Verify design parameters and READ NOTES ON THIS AND INCLUDED MITEK REFERENCE PAGE MII-7473 rev. 1/2/2023 BEFORE USE.

Design valid for use only with MiTek® connectors. This design is based only upon parameters shown, and is for an individual building component, not a truss system. Before use, the building designer must verify the applicability of design parameters and properly incorporate this design into the overall building design. Bracing indicated is to prevent buckling of individual truss web and/or chord members only. Additional temporary and permanent bracing is always required for stability and to prevent collapse with possible personal injury and property damage. For general guidance regarding the fabrication, storage, delivery, erection and bracing of trusses and truss systems, see **ANSI/TPI Quality Criteria and DSB-22** available from Truss Plate Institute (www.tpinst.org) and **BCSI Building Component Safety Information** available from the Structural Building Component Association (www.sbcacomponents.com)



818 Soundside Road
Edenton, NC 27932

Job J1224-6809	Truss J1GE	Truss Type GABLE	Qty 1	Ply 1	Lot 16 West Preserve Job Reference (optional)	169436111
-------------------	---------------	---------------------	----------	----------	--	-----------

Comtech, Inc. Fayetteville, NC - 28314,

8.630 s Sep 26 2024 MiTek Industries, Inc. Wed Nov 6 14:43:29 2024 Page 1

ID:4HRAT3elT9qoRldAoEs_5z0Axy-RfC?PsB70Hq3NSgPqnL8w3uITXbGKWRCDoi7J4zJC?f

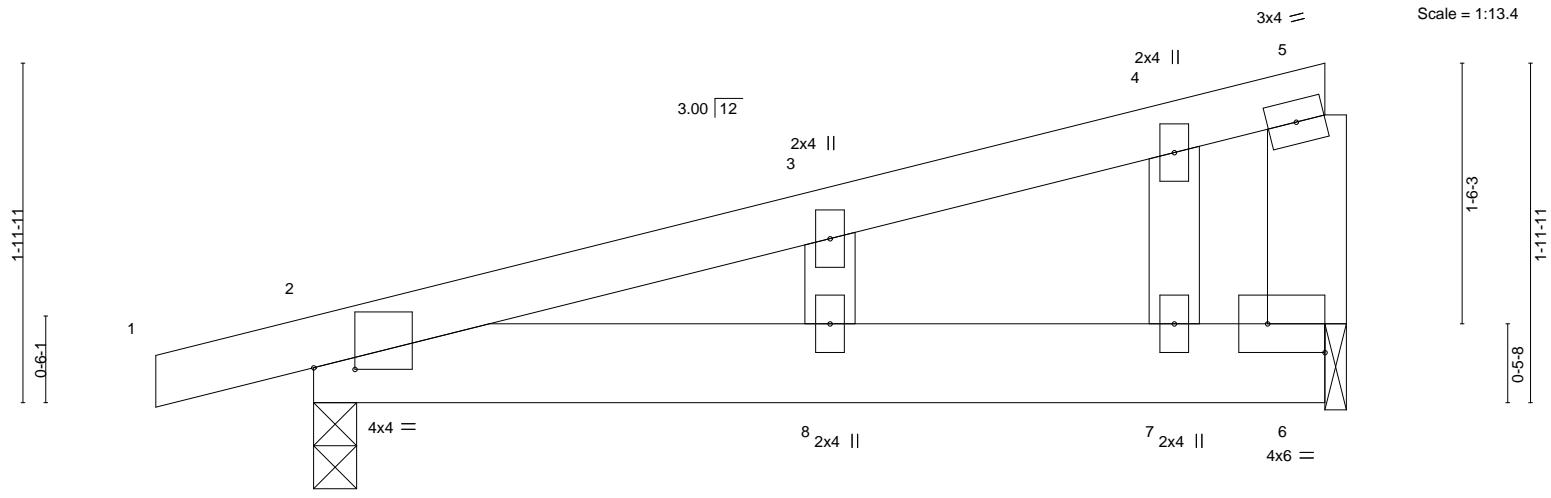


Plate Offsets (X, Y)--	[2:0-2-14,0-0-2], [6:Edge,0-2-0]
------------------------	----------------------------------

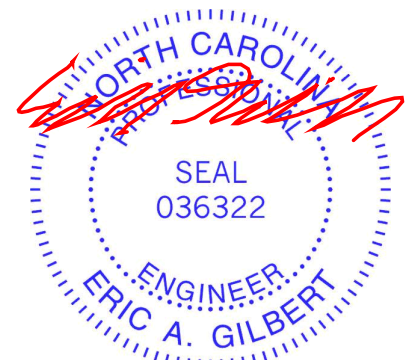
LOADING (psf)	SPACING-	2-0-0	CSI.	DEFL.	in (loc)	l/defl	L/d	PLATES	GRIP
TCLL 20.0	Plate Grip DOL	1.15	TC 0.19	Vert(LL)	0.04	8	>999	MT20	244/190
TCDL 10.0	Lumber DOL	1.15	BC 0.18	Vert(CT)	-0.02	8	>999		
BCLL 0.0 *	Rep Stress Incr	YES	WB 0.02	Horz(CT)	-0.00	6	n/a		
BCDL 10.0	Code IRC2015/TPI2014		Matrix-S					Weight: 29 lb	FT = 20%

LUMBER-	BRACING-
TOP CHORD 2x4 SP No.1	TOP CHORD Structural wood sheathing directly applied or 6-0-0 oc purlins, except end verticals.
BOT CHORD 2x6 SP No.1	BOT CHORD Rigid ceiling directly applied or 10-0-0 oc bracing.
WEBS 2x6 SP No.1	
OTHERS 2x4 SP No.2	

REACTIONS. (size) 2=0-3-0, 6=0-1-8
 Max Horz 2=106(LC 8)
 Max Uplift 2=-259(LC 8), 6=-199(LC 8)
 Max Grav 2=294(LC 1), 6=220(LC 1)

FORCES. (lb) - Max. Comp./Max. Ten. - All forces 250 (lb) or less except when shown.
 BOT CHORD 2-8=-275/133, 7-8=-275/133, 6-7=-275/133

- NOTES-**
- 1) Wind: ASCE 7-10; Vult=150mph Vasd=119mph; TCDL=6.0psf; BCDL=6.0psf; h=15ft; Cat. II; Exp C; Enclosed; MWFRS (envelope) gable end zone and C-C Exterior(2) zone; porch left exposed;C-C for members and forces & MWFRS for reactions shown; Lumber DOL=1.60 plate grip DOL=1.60
 - 2) Truss designed for wind loads in the plane of the truss only. For studs exposed to wind (normal to the face), see Standard Industry Gable End Details as applicable, or consult qualified building designer as per ANSI/TPI 1.
 - 3) Gable studs spaced at 2-0-0 oc.
 - 4) This truss has been designed for a 10.0 psf bottom chord live load nonconcurrent with any other live loads.
 - 5) * This truss has been designed for a live load of 30.0psf on the bottom chord in all areas where a rectangle 3-6-0 tall by 2-0-0 wide will fit between the bottom chord and any other members.
 - 6) Bearing at joint(s) 6 considers parallel to grain value using ANSI/TPI 1 angle to grain formula. Building designer should verify capacity of bearing surface.
 - 7) Provide mechanical connection (by others) of truss to bearing plate at joint(s) 6.
 - 8) Provide mechanical connection (by others) of truss to bearing plate capable of withstanding 100 lb uplift at joint(s) except (jt=lb) 2=259, 6=199.



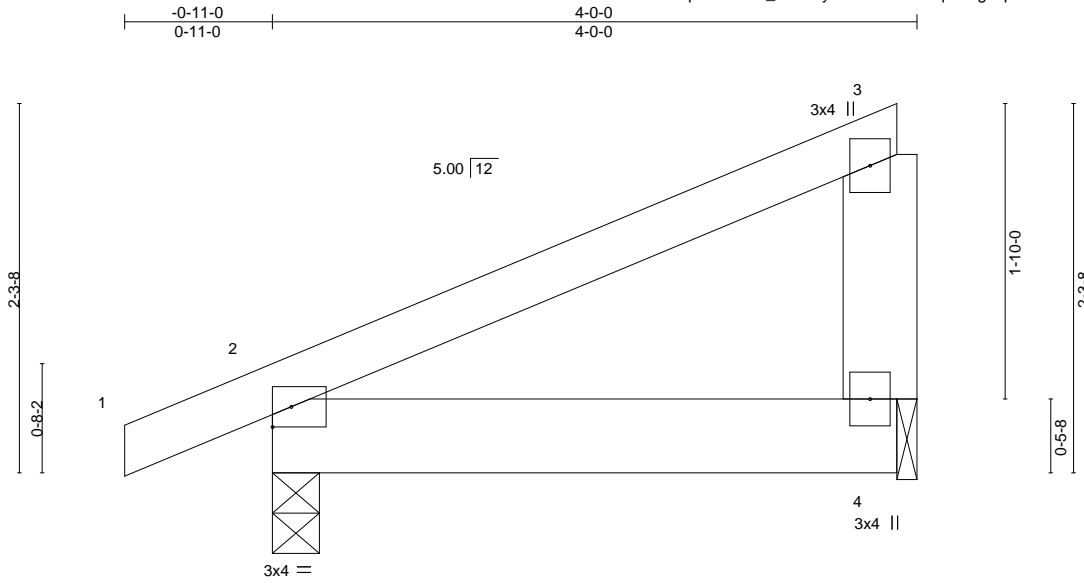
November 7, 2024

Job J1224-6809	Truss M1	Truss Type MONOPICH	Qty 6	Ply 1	Lot 16 West Preserve Job Reference (optional)	I69436112
-------------------	-------------	------------------------	----------	----------	--	-----------

Comtech, Inc. Fayetteville, NC - 28314,

8.630 s Sep 26 2024 MiTek Industries, Inc. Wed Nov 6 14:43:29 2024 Page 1

ID:4HRAT3elT9qoRldAoEs_5z0Axy-RfC?PsB70Hq3NSgPqnL8w3uITXbGKWrCDoi7J4zJC?f
4-0-0
4-0-0



Scale = 1:14.3

LOADING (psf)	SPACING-	2-0-0	CSI.	DEFL.	in (loc)	l/defl	L/d	PLATES	GRIP	
TCLL 20.0	Plate Grip DOL	1.15	TC 0.21	Vert(LL)	-0.00	2-4	>999	360	MT20	244/190
TCDL 10.0	Lumber DOL	1.15	BC 0.21	Vert(CT)	-0.00	2-4	>999	240		
BCLL 0.0 *	Rep Stress Incr	YES	WB 0.00	Horz(CT)	0.00		n/a	n/a		
BCDL 10.0	Code IRC2015/TPI2014		Matrix-P	Wind(LL)	0.00	2	****	240		
									Weight: 20 lb	FT = 20%

LUMBER-
TOP CHORD 2x4 SP No.1
BOT CHORD 2x6 SP No.1
WEBS 2x6 SP No.1

BRACING-
TOP CHORD Structural wood sheathing directly applied or 4-0-0 oc purlins, except end verticals.
BOT CHORD Rigid ceiling directly applied or 10-0-0 oc bracing.

REACTIONS. (size) 2=0-3-8, 4=0-1-8
Max Horz 2=84(LC 12)
Max Uplift 2=48(LC 8), 4=52(LC 12)
Max Grav 2=218(LC 1), 4=136(LC 1)

FORCES. (lb) - Max. Comp./Max. Ten. - All forces 250 (lb) or less except when shown.

NOTES-

- 1) Wind: ASCE 7-10; Vult=150mph Vasd=119mph; TC DL=6.0psf; BCDL=6.0psf; h=15ft; Cat. II; Exp C; Enclosed; MWFRS (envelope) and C-C Exterior(2) zone; C-C for members and forces & MWFRS for reactions shown; Lumber DOL=1.60 plate grip DOL=1.60
- 2) This truss has been designed for a 10.0 psf bottom chord live load nonconcurrent with any other live loads.
- 3) * This truss has been designed for a live load of 30.0psf on the bottom chord in all areas where a rectangle 3-6-0 tall by 2-0-0 wide will fit between the bottom chord and any other members.
- 4) Bearing at joint(s) 4 considers parallel to grain value using ANSI/TPI 1 angle to grain formula. Building designer should verify capacity of bearing surface.
- 5) Provide mechanical connection (by others) of truss to bearing plate at joint(s) 4.
- 6) Provide mechanical connection (by others) of truss to bearing plate capable of withstanding 100 lb uplift at joint(s) 2, 4.



November 7, 2024

WARNING - Verify design parameters and READ NOTES ON THIS AND INCLUDED MITEK REFERENCE PAGE MII-7473 rev. 1/2/2023 BEFORE USE.

Design valid for use only with MiTek® connectors. This design is based only upon parameters shown, and is for an individual building component, not a truss system. Before use, the building designer must verify the applicability of design parameters and properly incorporate this design into the overall building design. Bracing indicated is to prevent buckling of individual truss web and/or chord members only. Additional temporary and permanent bracing is always required for stability and to prevent collapse with possible personal injury and property damage. For general guidance regarding the fabrication, storage, delivery, erection and bracing of trusses and truss systems, see **ANSI/TPI1 Quality Criteria and DSB-22** available from Truss Plate Institute (www.tpinst.org) and **BCSI Building Component Safety Information** available from the Structural Building Component Association (www.sbcacomponents.com)



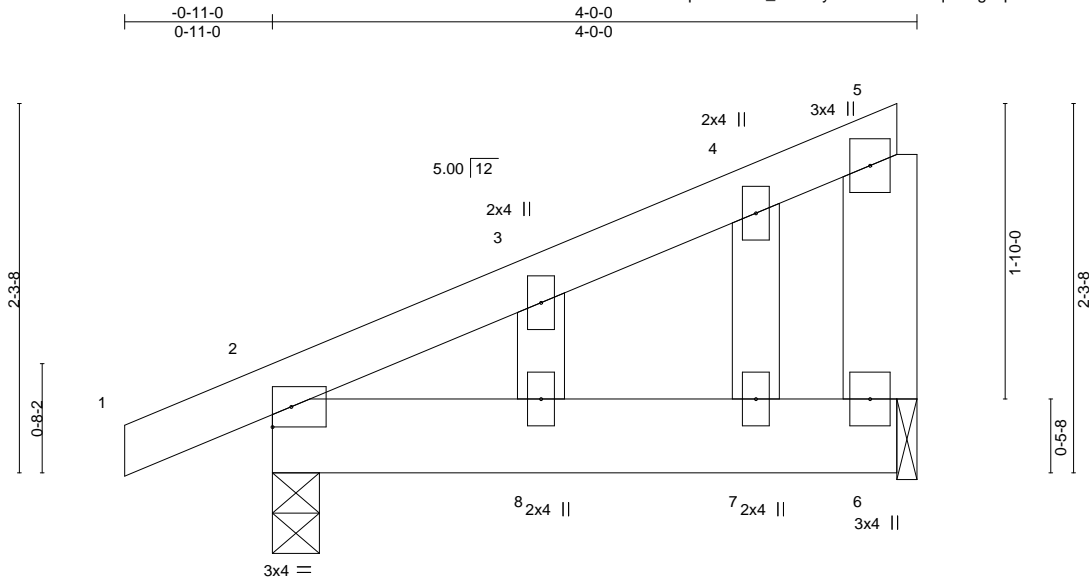
818 Soundside Road
Edenton, NC 27932

Job J1224-6809	Truss M1GE	Truss Type GABLE	Qty 1	Ply 1	Lot 16 West Preserve Job Reference (optional)	I69436113
-------------------	---------------	---------------------	----------	----------	--	-----------

Comtech, Inc. Fayetteville, NC - 28314,

8.630 s Sep 26 2024 MiTek Industries, Inc. Wed Nov 6 14:43:29 2024 Page 1

ID:4HRAT3elT9qoRldAoEs_5z0Axy-RfC?PsB70Hq3NSgPqnL8w3uITXbGKWrCDoi7J4zJC?f
4-0-0
4-0-0



LOADING (psf)	SPACING-	2-0-0	CSI.	DEFL.	in (loc)	l/defl	L/d	PLATES	GRIP
TCLL 20.0	Plate Grip DOL	1.15	TC 0.06	Vert(LL)	0.00	8	>999	MT20	244/190
TCDL 10.0	Lumber DOL	1.15	BC 0.10	Vert(CT)	-0.00	8	>999		
BCLL 0.0 *	Rep Stress Incr	YES	WB 0.02	Horz(CT)	-0.00	6	n/a		
BCDL 10.0	Code IRC2015/TPI2014		Matrix-S					Weight: 23 lb	FT = 20%

LUMBER-
TOP CHORD 2x4 SP No.1
BOT CHORD 2x6 SP No.1
WEBS 2x6 SP No.1 *Except*
3-8: 2x4 SP No.2
OTHERS 2x4 SP No.2

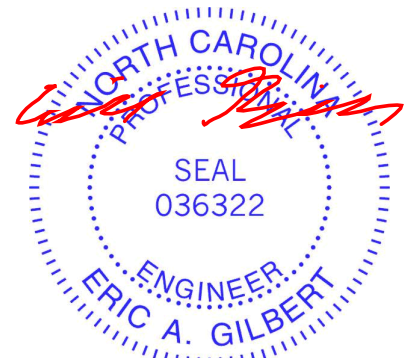
BRACING-
TOP CHORD Structural wood sheathing directly applied or 4-0-0 oc purlins, except end verticals.
BOT CHORD Rigid ceiling directly applied or 10-0-0 oc bracing.

REACTIONS. (size) 2=0-3-8, 6=0-1-8
Max Horz 2=121(LC 12)
Max Uplift 2=-90(LC 12), 6=-93(LC 12)
Max Grav 2=218(LC 1), 6=136(LC 1)

FORCES. (lb) - Max. Comp./Max. Ten. - All forces 250 (lb) or less except when shown.

NOTES-

- 1) Wind: ASCE 7-10; Vult=150mph Vasd=119mph; TCDL=6.0psf; BCDL=6.0psf; h=15ft; Cat. II; Exp C; Enclosed; MWFRS (envelope) gable end zone and C-C Exterior(2) zone; C-C for members and forces & MWFRS for reactions shown; Lumber DOL=1.60 plate grip DOL=1.60
- 2) Truss designed for wind loads in the plane of the truss only. For studs exposed to wind (normal to the face), see Standard Industry Gable End Details as applicable, or consult qualified building designer as per ANSI/TPI 1.
- 3) Gable studs spaced at 2-0-0 oc.
- 4) This truss has been designed for a 10.0 psf bottom chord live load nonconcurrent with any other live loads.
- 5) * This truss has been designed for a live load of 30.0psf on the bottom chord in all areas where a rectangle 3-6-0 tall by 2-0-0 wide will fit between the bottom chord and any other members.
- 6) Bearing at joint(s) 6 considers parallel to grain value using ANSI/TPI 1 angle to grain formula. Building designer should verify capacity of bearing surface.
- 7) Provide mechanical connection (by others) of truss to bearing plate at joint(s) 6.
- 8) Provide mechanical connection (by others) of truss to bearing plate capable of withstanding 100 lb uplift at joint(s) 2, 6.



November 7, 2024

WARNING - Verify design parameters and READ NOTES ON THIS AND INCLUDED MITEK REFERENCE PAGE MII-7473 rev. 1/2/2023 BEFORE USE.

Design valid for use only with MiTek® connectors. This design is based only upon parameters shown, and is for an individual building component, not a truss system. Before use, the building designer must verify the applicability of design parameters and properly incorporate this design into the overall building design. Bracing indicated is to prevent buckling of individual truss web and/or chord members only. Additional temporary and permanent bracing is always required for stability and to prevent collapse with possible personal injury and property damage. For general guidance regarding the fabrication, storage, delivery, erection and bracing of trusses and truss systems, see **ANSI/TPI1 Quality Criteria and DSB-22** available from Truss Plate Institute (www.tpinst.org) and **BCSI Building Component Safety Information** available from the Structural Building Component Association (www.sbcacomponents.com)



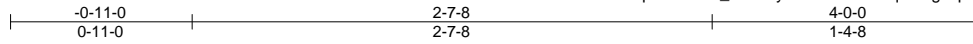
818 Soundside Road
Edenton, NC 27932

Job J1224-6809	Truss M2	Truss Type HALF HIP	Qty 6	Ply 1	Lot 16 West Preserve Job Reference (optional)	I69436114
-------------------	-------------	------------------------	----------	----------	--	-----------

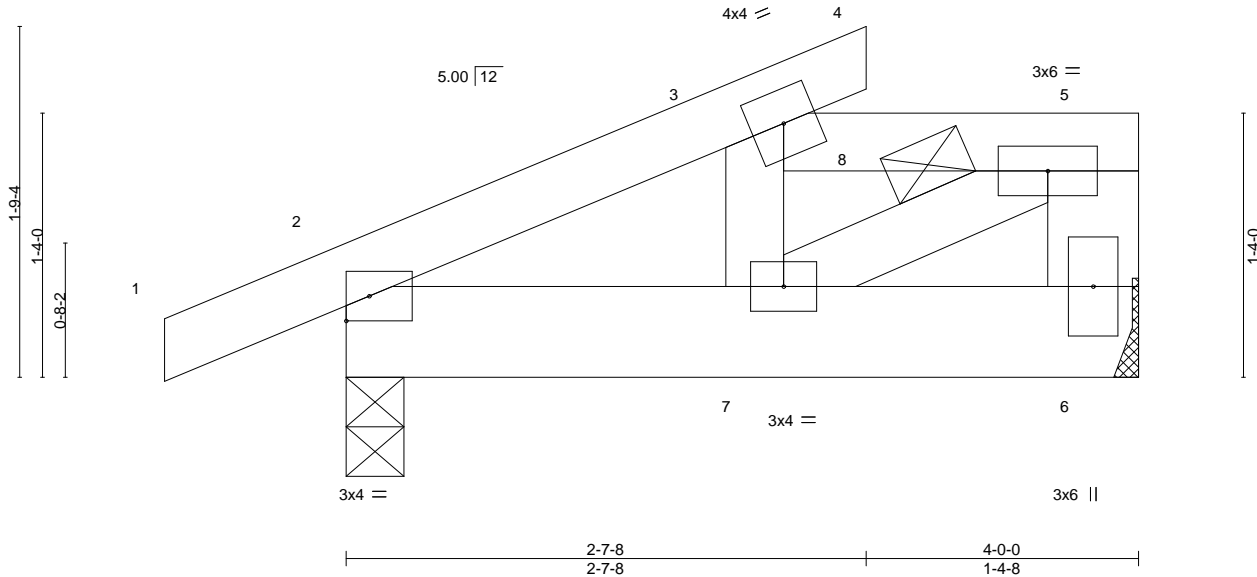
Comtech, Inc. Fayetteville, NC - 28314,

8.630 s Sep 26 2024 MiTek Industries, Inc. Wed Nov 6 14:43:30 2024 Page 1

ID:I4HRAT3elT9qoRldAoEs_5z0Axy-RfC?PsB70Hq3NSgPqnL8w3uITXbGKWrCDoi7J4zJC?f



Scale = 1:11.6



LOADING (psf)	SPACING-	2-0-0	CSI.	DEFL.	in (loc)	l/defl	L/d	PLATES	GRIP
TCLL 20.0	Plate Grip DOL	1.15	TC 0.44	Vert(LL)	-0.00	7	>999	MT20	244/190
TCDL 10.0	Lumber DOL	1.15	BC 0.21	Vert(CT)	-0.00	7	>999		
BCLL 0.0 *	Rep Stress Incr	NO	WB 0.10	Horz(CT)	-0.00	6	n/a		
BCDL 10.0	Code IRC2015/TPI2014		Matrix-P	Wind(LL)	0.01	7	>999		
								Weight: 23 lb	FT = 20%

LUMBER-
 TOP CHORD 2x4 SP No.1
 BOT CHORD 2x6 SP No.1
 WEBS 2x4 SP No.2 *Except*
 5-6: 2x6 SP No.1

BRACING-
 TOP CHORD Structural wood sheathing directly applied or 4-0-0 oc purlins, except end verticals, and 2-0-0 oc purlins: 3-5.
 BOT CHORD Rigid ceiling directly applied or 10-0-0 oc bracing.

REACTIONS. (size) 6=Mechanical, 2=0-3-8
 Max Horz 2=59(LC 12)
 Max Uplift 6=-112(LC 9), 2=-93(LC 8)
 Max Grav 6=546(LC 22), 2=387(LC 1)

FORCES. (lb) - Max. Comp./Max. Ten. - All forces 250 (lb) or less except when shown.
 TOP CHORD 2-3=-470/402, 3-5=-366/461, 5-6=-489/492
 BOT CHORD 2-7=-492/386
 WEBS 3-7=-245/382, 5-7=-528/420

- NOTES-**
- Unbalanced roof live loads have been considered for this design.
 - Wind: ASCE 7-10; Vult=150mph Vasd=119mph; TC DL=6.0psf; BCDL=6.0psf; h=15ft; Cat. II; Exp C; Enclosed; MWFRS (envelope) and C-C Exterior(2) zone; C-C for members and forces & MWFRS for reactions shown; Lumber DOL=1.60 plate grip DOL=1.60
 - Provide adequate drainage to prevent water ponding.
 - This truss has been designed for a 10.0 psf bottom chord live load nonconcurrent with any other live loads.
 - * This truss has been designed for a live load of 30.0psf on the bottom chord in all areas where a rectangle 3-6-0 tall by 2-0-0 wide will fit between the bottom chord and any other members.
 - Refer to girder(s) for truss to truss connections.
 - Provide mechanical connection (by others) of truss to bearing plate capable of withstanding 100 lb uplift at joint(s) 2 except (jt=lb) 6=112.
 - Load case(s) 1, 2, 3, 4, 5, 6, 7, 8, 9, 10, 11, 12, 13, 14, 15, 16, 17, 18, 19, 20, 21, 22, 23, 24, 25, 26 has/have been modified. Building designer must review loads to verify that they are correct for the intended use of this truss.
 - Graphical purlin representation does not depict the size or the orientation of the purlin along the top and/or bottom chord.
 - Hanger(s) or other connection device(s) shall be provided sufficient to support concentrated load(s). The design/selection of such connection device(s) is the responsibility of others.

- LOAD CASE(S)** Standard
- Dead + Roof Live (balanced): Lumber Increase=1.15, Plate Increase=1.15
 Uniform Loads (plf)
 Vert: 1-3=-60, 3-4=-60, 3-8=-40, 5-8=-80, 2-6=-20
 Concentrated Loads (lb)
 Vert: 8=-500
 - Dead + 0.75 Roof Live (balanced): Lumber Increase=1.15, Plate Increase=1.15



November 7, 2024

Continued on page 2

WARNING - Verify design parameters and READ NOTES ON THIS AND INCLUDED MITEK REFERENCE PAGE MII-7473 rev. 1/2/2023 BEFORE USE.
 Design valid for use only with MiTek® connectors. This design is based only upon parameters shown, and is for an individual building component, not a truss system. Before use, the building designer must verify the applicability of design parameters and properly incorporate this design into the overall building design. Bracing indicated is to prevent buckling of individual truss web and/or chord members only. Additional temporary and permanent bracing is always required for stability and to prevent collapse with possible personal injury and property damage. For general guidance regarding the fabrication, storage, delivery, erection and bracing of trusses and truss systems, see **ANSI/TPH Quality Criteria and DSB-22** available from Truss Plate Institute (www.tpinst.org) and **BCSI Building Component Safety Information** available from the Structural Building Component Association (www.sbcacomponents.com)



818 Soundside Road
 Edenton, NC 27932

Job	Truss	Truss Type	Qty	Ply	Lot 16 West Preserve
J1224-6809	M2	HALF HIP	6	1	I69436114
					Job Reference (optional)

Comtech, Inc. Fayetteville, NC - 28314,

8.630 s Sep 26 2024 MITek Industries, Inc. Wed Nov 6 14:43:30 2024 Page 2
 ID:I4HRAT3elT9qoRldAoEs_5z0Axy-RfC?PsB70Hq3NSgPqnL8w3uITXbGKWrCDoi7J4zJC?f

LOAD CASE(S) Standard

- Uniform Loads (plf)
Vert: 1-3=-50, 3-4=-50, 3-8=-100, 5-8=-130, 2-6=-20
- Concentrated Loads (lb)
Vert: 8=-438
- 3) Dead + Uninhabitable Attic Without Storage: Lumber Increase=1.25, Plate Increase=1.25
Uniform Loads (plf)
Vert: 1-3=-20, 3-4=-20, 3-5=-40, 2-6=-40
Concentrated Loads (lb)
Vert: 8=-375
- 4) Dead + 0.6 C-C Wind (Pos. Internal) Case 1: Lumber Increase=1.60, Plate Increase=1.60
Uniform Loads (plf)
Vert: 1-2=98, 2-3=82, 3-4=207, 3-5=67, 2-6=-12
Horz: 1-2=-110, 2-3=-94, 3-4=-219
Concentrated Loads (lb)
Vert: 8=467
- 5) Dead + 0.6 C-C Wind (Pos. Internal) Case 2: Lumber Increase=1.60, Plate Increase=1.60
Uniform Loads (plf)
Vert: 1-2=73, 2-3=82, 3-4=73, 3-5=67, 2-6=-12
Horz: 1-2=-85, 2-3=-94, 3-4=-85
Concentrated Loads (lb)
Vert: 8=467
- 6) Dead + 0.6 C-C Wind (Neg. Internal) Case 1: Lumber Increase=1.60, Plate Increase=1.60
Uniform Loads (plf)
Vert: 1-2=5, 2-3=-54, 3-4=30, 3-5=-64, 2-6=-20
Horz: 1-2=-25, 2-3=34, 3-4=-50
Concentrated Loads (lb)
Vert: 8=-462
- 7) Dead + 0.6 C-C Wind (Neg. Internal) Case 2: Lumber Increase=1.60, Plate Increase=1.60
Uniform Loads (plf)
Vert: 1-2=-45, 2-3=-54, 3-4=-45, 3-5=-64, 2-6=-20
Horz: 1-2=25, 2-3=34, 3-4=25
Concentrated Loads (lb)
Vert: 8=-462
- 8) Dead + 0.6 MWFRS Wind (Pos. Internal) Left: Lumber Increase=1.60, Plate Increase=1.60
Uniform Loads (plf)
Vert: 1-2=40, 2-3=20, 3-4=11, 3-5=11, 2-6=-12
Horz: 1-2=-52, 2-3=-32, 3-4=-23
Concentrated Loads (lb)
Vert: 8=121
- 9) Dead + 0.6 MWFRS Wind (Pos. Internal) Right: Lumber Increase=1.60, Plate Increase=1.60
Uniform Loads (plf)
Vert: 1-2=11, 2-3=20, 3-4=41, 3-5=11, 2-6=-12
Horz: 1-2=-23, 2-3=-32, 3-4=-53
Concentrated Loads (lb)
Vert: 8=121
- 10) Dead + 0.6 MWFRS Wind (Neg. Internal) Left: Lumber Increase=1.60, Plate Increase=1.60
Uniform Loads (plf)
Vert: 1-2=3, 2-3=-6, 3-4=3, 3-5=-15, 2-6=-20
Horz: 1-2=-23, 2-3=-14, 3-4=-23
Concentrated Loads (lb)
Vert: 8=-306
- 11) Dead + 0.6 MWFRS Wind (Neg. Internal) Right: Lumber Increase=1.60, Plate Increase=1.60
Uniform Loads (plf)
Vert: 1-2=3, 2-3=-6, 3-4=3, 3-5=-15, 2-6=-20
Horz: 1-2=-23, 2-3=-14, 3-4=-23
Concentrated Loads (lb)
Vert: 8=-306
- 12) Dead + 0.6 MWFRS Wind (Pos. Internal) 1st Parallel: Lumber Increase=1.60, Plate Increase=1.60
Uniform Loads (plf)
Vert: 1-2=22, 2-3=31, 3-4=22, 3-5=-5, 2-6=-12
Horz: 1-2=-34, 2-3=-43, 3-4=-34
Concentrated Loads (lb)
Vert: 8=121
- 13) Dead + 0.6 MWFRS Wind (Pos. Internal) 2nd Parallel: Lumber Increase=1.60, Plate Increase=1.60
Uniform Loads (plf)
Vert: 1-2=6, 2-3=15, 3-4=6, 3-5=-5, 2-6=-12
Horz: 1-2=-18, 2-3=-27, 3-4=-18
Concentrated Loads (lb)
Vert: 8=21
- 14) Dead + 0.6 MWFRS Wind (Pos. Internal) 3rd Parallel: Lumber Increase=1.60, Plate Increase=1.60
Uniform Loads (plf)
Vert: 1-2=22, 2-3=31, 3-4=22, 3-5=-5, 2-6=-12
Horz: 1-2=-34, 2-3=-43, 3-4=-34
Concentrated Loads (lb)
Vert: 8=121

Continued on page 3

WARNING - Verify design parameters and READ NOTES ON THIS AND INCLUDED MITEK REFERENCE PAGE MII-7473 rev. 1/2/2023 BEFORE USE.

Design valid for use only with MITek® connectors. This design is based only upon parameters shown, and is for an individual building component, not a truss system. Before use, the building designer must verify the applicability of design parameters and properly incorporate this design into the overall building design. Bracing indicated is to prevent buckling of individual truss web and/or chord members only. Additional temporary and permanent bracing is always required for stability and to prevent collapse with possible personal injury and property damage. For general guidance regarding the fabrication, storage, delivery, erection and bracing of trusses and truss systems, see **ANSI/TP1 Quality Criteria and DSB-22** available from Truss Plate Institute (www.tpinst.org) and **BCSI Building Component Safety Information** available from the Structural Building Component Association (www.sbcacomponents.com)



818 Soundside Road
 Edenton, NC 27932

Job	Truss	Truss Type	Qty	Ply	Lot 16 West Preserve
J1224-6809	M2	HALF HIP	6	1	I69436114
					Job Reference (optional)

Comtech, Inc. Fayetteville, NC - 28314,

8.630 s Sep 26 2024 MiTek Industries, Inc. Wed Nov 6 14:43:30 2024 Page 3
ID:I4HRAT3elT9qoRldAoEs_5z0Axy-RfC?PsB70Hq3NSgPqnL8w3uITXbGKWrCDoi7J4zJC?f

LOAD CASE(S) Standard

- 15) Dead + 0.6 MWFRS Wind (Pos. Internal) 4th Parallel: Lumber Increase=1.60, Plate Increase=1.60
Uniform Loads (plf)
Vert: 1-2=6, 2-3=15, 3-4=6, 3-5=-5, 2-6=-12
Horz: 1-2=-18, 2-3=-27, 3-4=-18
Concentrated Loads (lb)
Vert: 8=21
- 16) Dead + 0.6 MWFRS Wind (Neg. Internal) 1st Parallel: Lumber Increase=1.60, Plate Increase=1.60
Uniform Loads (plf)
Vert: 1-2=14, 2-3=5, 3-4=14, 3-5=-31, 2-6=-20
Horz: 1-2=-34, 2-3=-25, 3-4=-34
Concentrated Loads (lb)
Vert: 8=-306
- 17) Dead + 0.6 MWFRS Wind (Neg. Internal) 2nd Parallel: Lumber Increase=1.60, Plate Increase=1.60
Uniform Loads (plf)
Vert: 1-2=-2, 2-3=-11, 3-4=-2, 3-5=-31, 2-6=-20
Horz: 1-2=-18, 2-3=-9, 3-4=-18
Concentrated Loads (lb)
Vert: 8=-306
- 18) Dead: Lumber Increase=0.90, Plate Increase=0.90 Plt. metal=0.90
Uniform Loads (plf)
Vert: 1-3=-20, 3-4=-20, 3-5=-120, 2-6=-20
Concentrated Loads (lb)
Vert: 8=-250
- 19) Dead + 0.75 Roof Live (bal.) + 0.75 Attic Floor + 0.75(0.6 MWFRS Wind (Neg. Int) Left): Lumber Increase=1.60, Plate Increase=1.60
Uniform Loads (plf)
Vert: 1-2=-33, 2-3=-40, 3-4=-33, 3-8=-81, 5-8=-111, 2-6=-20
Horz: 1-2=-17, 2-3=-10, 3-4=-17
Concentrated Loads (lb)
Vert: 8=-480
- 20) Dead + 0.75 Roof Live (bal.) + 0.75 Attic Floor + 0.75(0.6 MWFRS Wind (Neg. Int) Right): Lumber Increase=1.60, Plate Increase=1.60
Uniform Loads (plf)
Vert: 1-2=-33, 2-3=-39, 3-4=-33, 3-8=-81, 5-8=-111, 2-6=-20
Horz: 1-2=-17, 2-3=-11, 3-4=-17
Concentrated Loads (lb)
Vert: 8=-480
- 21) Dead + 0.75 Roof Live (bal.) + 0.75 Attic Floor + 0.75(0.6 MWFRS Wind (Neg. Int) 1st Parallel): Lumber Increase=1.60, Plate Increase=1.60
Uniform Loads (plf)
Vert: 1-2=-24, 2-3=-31, 3-4=-24, 3-8=-93, 5-8=-123, 2-6=-20
Horz: 1-2=-26, 2-3=-19, 3-4=-26
Concentrated Loads (lb)
Vert: 8=-480
- 22) Dead + 0.75 Roof Live (bal.) + 0.75 Attic Floor + 0.75(0.6 MWFRS Wind (Neg. Int) 2nd Parallel): Lumber Increase=1.60, Plate Increase=1.60
Uniform Loads (plf)
Vert: 1-2=-36, 2-3=-43, 3-4=-36, 3-8=-93, 5-8=-123, 2-6=-20
Horz: 1-2=-14, 2-3=-7, 3-4=-14
Concentrated Loads (lb)
Vert: 8=-480
- 23) 1st Dead + Roof Live (unbalanced): Lumber Increase=1.15, Plate Increase=1.15
Uniform Loads (plf)
Vert: 1-3=-60, 3-4=-60, 3-8=-40, 5-8=-80, 2-6=-20
Concentrated Loads (lb)
Vert: 8=500
- 24) 2nd Dead + Roof Live (unbalanced): Lumber Increase=1.15, Plate Increase=1.15
Uniform Loads (plf)
Vert: 1-3=-20, 3-4=-20, 3-8=-40, 5-8=-80, 2-6=-20
Concentrated Loads (lb)
Vert: 8=500
- 25) 3rd Dead + 0.75 Roof Live (unbalanced): Lumber Increase=1.15, Plate Increase=1.15
Uniform Loads (plf)
Vert: 1-3=-50, 3-4=-50, 3-8=-100, 5-8=-130, 2-6=-20
Concentrated Loads (lb)
Vert: 8=438
- 26) 4th Dead + 0.75 Roof Live (unbalanced): Lumber Increase=1.15, Plate Increase=1.15
Uniform Loads (plf)
Vert: 1-3=-20, 3-4=-20, 3-8=-100, 5-8=-130, 2-6=-20
Concentrated Loads (lb)
Vert: 8=438

WARNING - Verify design parameters and READ NOTES ON THIS AND INCLUDED MITEK REFERENCE PAGE MII-7473 rev. 1/2/2023 BEFORE USE.

Design valid for use only with MiTek® connectors. This design is based only upon parameters shown, and is for an individual building component, not a truss system. Before use, the building designer must verify the applicability of design parameters and properly incorporate this design into the overall building design. Bracing indicated is to prevent buckling of individual truss web and/or chord members only. Additional temporary and permanent bracing is always required for stability and to prevent collapse with possible personal injury and property damage. For general guidance regarding the fabrication, storage, delivery, erection and bracing of trusses and truss systems, see **ANSI/TPH Quality Criteria and DSB-22** available from Truss Plate Institute (www.tpinst.org) and **BCSI Building Component Safety Information** available from the Structural Building Component Association (www.sbcacomponents.com)



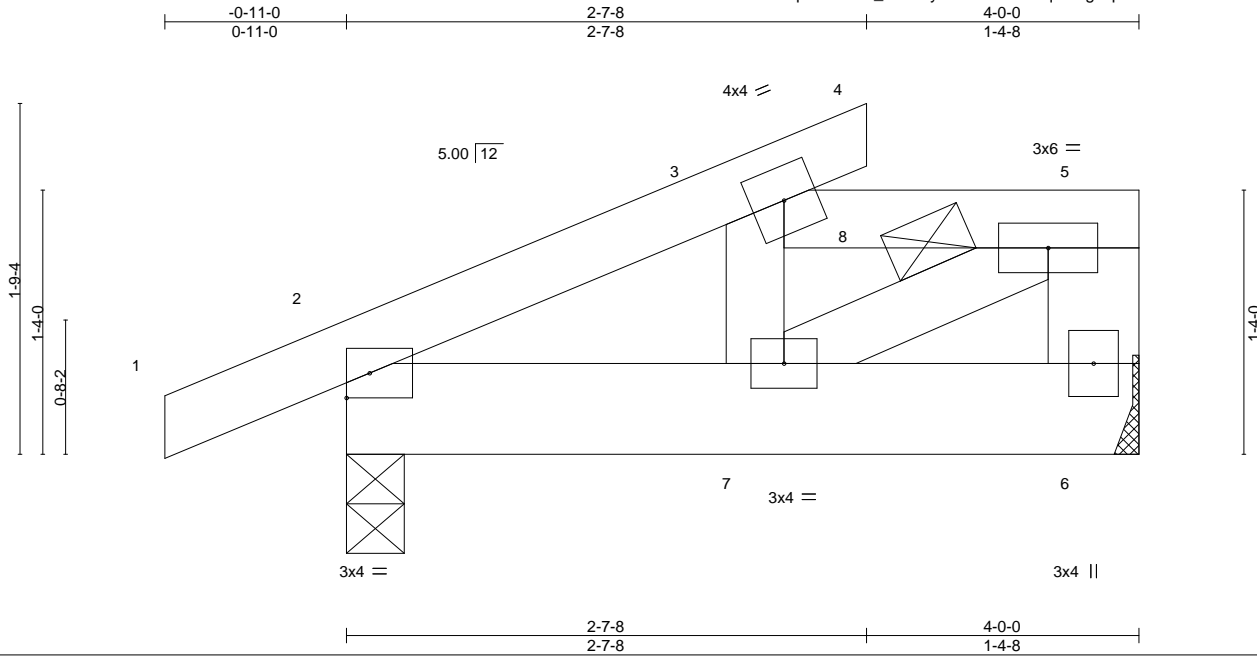
818 Soundside Road
Edenton, NC 27932

Job J1224-6809	Truss M2A	Truss Type HALF HIP	Qty 1	Ply 2	Lot 16 West Preserve Job Reference (optional)	I69436115
-------------------	--------------	------------------------	----------	----------	--	-----------

Comtech, Inc. Fayetteville, NC - 28314,

8.630 s Sep 26 2024 MiTek Industries, Inc. Wed Nov 6 14:43:30 2024 Page 1

ID:I4HRAT3elT9qoRldAoEs_5z0Axy-RfC?PsB70Hq3NSgPqnL8w3uITXbGKWrCDoi7J4zJC?f



Scale = 1:11.6

LOADING (psf)	SPACING-	2-0-0	CSI.	DEFL.	in (loc)	l/defl	L/d	PLATES	GRIP	
TCLL 20.0	Plate Grip DOL	1.15	TC 0.26	Vert(LL)	-0.00	2	>999	360	MT20	244/190
TCDL 10.0	Lumber DOL	1.15	BC 0.09	Vert(CT)	-0.00	7	>999	240		
BCLL 0.0 *	Rep Stress Incr	NO	WB 0.06	Horz(CT)	0.00	6	n/a	n/a		
BCDL 10.0	Code IRC2015/TP12014		Matrix-P	Wind(LL)	0.00	7	>999	240		
									Weight: 45 lb	FT = 20%

LUMBER-
 TOP CHORD 2x4 SP No.1
 BOT CHORD 2x6 SP No.1
 WEBS 2x4 SP No.2 *Except*
 5-6: 2x6 SP No.1

BRACING-
 TOP CHORD Structural wood sheathing directly applied or 4-0-0 oc purlins, except end verticals, and 2-0-0 oc purlins: 3-5.
 BOT CHORD Rigid ceiling directly applied or 10-0-0 oc bracing.

REACTIONS. (size) 6=Mechanical, 2=0-3-8
 Max Horz 2=59(LC 8)
 Max Uplift 2=-40(LC 4)
 Max Grav 6=708(LC 18), 2=439(LC 1)

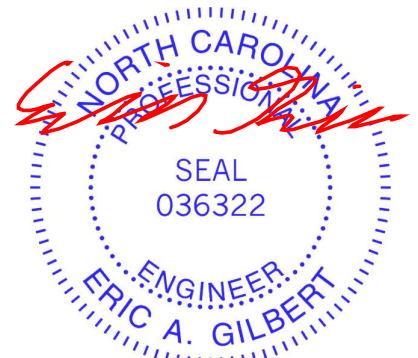
FORCES. (lb) - Max. Comp./Max. Ten. - All forces 250 (lb) or less except when shown.
 TOP CHORD 2-3=-565/0, 3-5=-445/17, 5-6=-641/0
 BOT CHORD 2-7=-20/471
 WEBS 3-7=-308/37, 5-7=-19/511

NOTES-

- 2-ply truss to be connected together with 10d (0.131"x3") nails as follows:
 Top chords connected as follows: 2x4 - 1 row at 0-9-0 oc, 2x6 - 2 rows staggered at 0-9-0 oc.
 Bottom chords connected as follows: 2x6 - 2 rows staggered at 0-9-0 oc.
 Webs connected as follows: 2x4 - 1 row at 0-9-0 oc.
- All loads are considered equally applied to all plies, except if noted as front (F) or back (B) face in the LOAD CASE(S) section. Ply to ply connections have been provided to distribute only loads noted as (F) or (B), unless otherwise indicated.
- Unbalanced roof live loads have been considered for this design.
- Wind: ASCE 7-10; Vult=150mph Vasd=119mph; TCCL=6.0psf; BCCL=6.0psf; h=15ft; Cat. II; Exp C; Enclosed; MWFRS (envelope); Lumber DOL=1.60 plate grip DOL=1.60
- Provide adequate drainage to prevent water ponding.
- This truss has been designed for a 10.0 psf bottom chord live load nonconcurrent with any other live loads.
- * This truss has been designed for a live load of 30.0psf on the bottom chord in all areas where a rectangle 3-6-0 tall by 2-0-0 wide will fit between the bottom chord and any other members.
- Refer to girder(s) for truss to truss connections.
- Provide mechanical connection (by others) of truss to bearing plate capable of withstanding 100 lb uplift at joint(s) 2.
- Load case(s) 1, 2, 3, 4, 5, 6, 7, 8, 9, 10, 11, 12, 13, 14, 15, 16, 17, 18, 19, 20, 21, 22 has/have been modified. Building designer must review loads to verify that they are correct for the intended use of this truss.
- Graphical purlin representation does not depict the size or the orientation of the purlin along the top and/or bottom chord.
- Hanger(s) or other connection device(s) shall be provided sufficient to support concentrated load(s). The design/selection of such connection device(s) is the responsibility of others.

LOAD CASE(S) Standard

1) Dead + Roof Live (balanced): Lumber Increase=1.15, Plate Increase=1.15



Continued on page 2

WARNING - Verify design parameters and READ NOTES ON THIS AND INCLUDED MITEK REFERENCE PAGE MII-7473 rev. 1/2/2023 BEFORE USE.

Design valid for use only with MiTek® connectors. This design is based only upon parameters shown, and is for an individual building component, not a truss system. Before use, the building designer must verify the applicability of design parameters and properly incorporate this design into the overall building design. Bracing indicated is to prevent buckling of individual truss web and/or chord members only. Additional temporary and permanent bracing is always required for stability and to prevent collapse with possible personal injury and property damage. For general guidance regarding the fabrication, storage, delivery, erection and bracing of trusses and truss systems, see **ANSI/TP1 Quality Criteria and DSB-22** available from Truss Plate Institute (www.tpinst.org) and **BCSI Building Component Safety Information** available from the Structural Building Component Association (www.sbcacomponents.com)



818 Soundside Road
 Edenton, NC 27932

Job	Truss	Truss Type	Qty	Ply	Lot 16 West Preserve
J1224-6809	M2A	HALF HIP	1	2	I69436115
					Job Reference (optional)

Comtech, Inc. Fayetteville, NC - 28314,

8.630 s Sep 26 2024 MITek Industries, Inc. Wed Nov 6 14:43:30 2024 Page 2
 ID:I4HRAT3elT9qoRldAoEs_5z0Axy-RfC?PsB70Hq3NSgPqnL8w3uITXbGKWrCDoi7J4zJC?f

LOAD CASE(S) Standard

- Uniform Loads (plf)
 - Vert: 1-3=-60, 3-4=-60, 3-8=-160, 5-8=-200, 2-6=-20
- Concentrated Loads (lb)
 - Vert: 8=-500
- 2) Dead + 0.75 Roof Live (balanced): Lumber Increase=1.15, Plate Increase=1.15
 - Uniform Loads (plf)
 - Vert: 1-3=-50, 3-4=-50, 3-8=-220, 5-8=-250, 2-6=-20
 - Concentrated Loads (lb)
 - Vert: 8=-438
- 3) Dead + Uninhabitable Attic Without Storage: Lumber Increase=1.25, Plate Increase=1.25
 - Uniform Loads (plf)
 - Vert: 1-3=-20, 3-4=-20, 3-5=-160, 2-6=-40
 - Concentrated Loads (lb)
 - Vert: 8=-375
- 4) Dead + 0.6 MWFRS Wind (Pos. Internal) Left: Lumber Increase=1.60, Plate Increase=1.60
 - Uniform Loads (plf)
 - Vert: 1-2=40, 2-3=20, 3-4=11, 3-5=-109, 2-6=-12
 - Horz: 1-2=-52, 2-3=-32, 3-4=-23
 - Concentrated Loads (lb)
 - Vert: 8=121
- 5) Dead + 0.6 MWFRS Wind (Pos. Internal) Right: Lumber Increase=1.60, Plate Increase=1.60
 - Uniform Loads (plf)
 - Vert: 1-2=11, 2-3=20, 3-4=41, 3-5=-109, 2-6=-12
 - Horz: 1-2=-23, 2-3=-32, 3-4=-53
 - Concentrated Loads (lb)
 - Vert: 8=121
- 6) Dead + 0.6 MWFRS Wind (Neg. Internal) Left: Lumber Increase=1.60, Plate Increase=1.60
 - Uniform Loads (plf)
 - Vert: 1-2=3, 2-3=-6, 3-4=3, 3-5=-135, 2-6=-20
 - Horz: 1-2=-23, 2-3=-14, 3-4=-23
 - Concentrated Loads (lb)
 - Vert: 8=-306
- 7) Dead + 0.6 MWFRS Wind (Neg. Internal) Right: Lumber Increase=1.60, Plate Increase=1.60
 - Uniform Loads (plf)
 - Vert: 1-2=3, 2-3=-6, 3-4=3, 3-5=-135, 2-6=-20
 - Horz: 1-2=-23, 2-3=-14, 3-4=-23
 - Concentrated Loads (lb)
 - Vert: 8=-306
- 8) Dead + 0.6 MWFRS Wind (Pos. Internal) 1st Parallel: Lumber Increase=1.60, Plate Increase=1.60
 - Uniform Loads (plf)
 - Vert: 1-2=22, 2-3=31, 3-4=22, 3-5=-125, 2-6=-12
 - Horz: 1-2=-34, 2-3=-43, 3-4=-34
 - Concentrated Loads (lb)
 - Vert: 8=121
- 9) Dead + 0.6 MWFRS Wind (Pos. Internal) 2nd Parallel: Lumber Increase=1.60, Plate Increase=1.60
 - Uniform Loads (plf)
 - Vert: 1-2=6, 2-3=15, 3-4=6, 3-5=-125, 2-6=-12
 - Horz: 1-2=-18, 2-3=-27, 3-4=-18
 - Concentrated Loads (lb)
 - Vert: 8=21
- 10) Dead + 0.6 MWFRS Wind (Pos. Internal) 3rd Parallel: Lumber Increase=1.60, Plate Increase=1.60
 - Uniform Loads (plf)
 - Vert: 1-2=22, 2-3=31, 3-4=22, 3-5=-125, 2-6=-12
 - Horz: 1-2=-34, 2-3=-43, 3-4=-34
 - Concentrated Loads (lb)
 - Vert: 8=121
- 11) Dead + 0.6 MWFRS Wind (Pos. Internal) 4th Parallel: Lumber Increase=1.60, Plate Increase=1.60
 - Uniform Loads (plf)
 - Vert: 1-2=6, 2-3=15, 3-4=6, 3-5=-125, 2-6=-12
 - Horz: 1-2=-18, 2-3=-27, 3-4=-18
 - Concentrated Loads (lb)
 - Vert: 8=21
- 12) Dead + 0.6 MWFRS Wind (Neg. Internal) 1st Parallel: Lumber Increase=1.60, Plate Increase=1.60
 - Uniform Loads (plf)
 - Vert: 1-2=14, 2-3=5, 3-4=14, 3-5=-151, 2-6=-20
 - Horz: 1-2=-34, 2-3=-25, 3-4=-34
 - Concentrated Loads (lb)
 - Vert: 8=-306
- 13) Dead + 0.6 MWFRS Wind (Neg. Internal) 2nd Parallel: Lumber Increase=1.60, Plate Increase=1.60
 - Uniform Loads (plf)
 - Vert: 1-2=-2, 2-3=-11, 3-4=-2, 3-5=-151, 2-6=-20
 - Horz: 1-2=-18, 2-3=-9, 3-4=-18
 - Concentrated Loads (lb)
 - Vert: 8=-306
- 14) Dead: Lumber Increase=0.90, Plate Increase=0.90 Plt. metal=0.90

Continued on page 3

WARNING - Verify design parameters and READ NOTES ON THIS AND INCLUDED MITEK REFERENCE PAGE MII-7473 rev. 1/2/2023 BEFORE USE.

Design valid for use only with MITek® connectors. This design is based only upon parameters shown, and is for an individual building component, not a truss system. Before use, the building designer must verify the applicability of design parameters and properly incorporate this design into the overall building design. Bracing indicated is to prevent buckling of individual truss web and/or chord members only. Additional temporary and permanent bracing is always required for stability and to prevent collapse with possible personal injury and property damage. For general guidance regarding the fabrication, storage, delivery, erection and bracing of trusses and truss systems, see **ANSI/TP1 Quality Criteria and DSB-22** available from Truss Plate Institute (www.tpinst.org) and **BCSI Building Component Safety Information** available from the Structural Building Component Association (www.sbcacomponents.com)



818 Soundside Road
 Edenton, NC 27932

Job	Truss	Truss Type	Qty	Ply	Lot 16 West Preserve
J1224-6809	M2A	HALF HIP	1	2	I69436115
					Job Reference (optional)

Comtech, Inc. Fayetteville, NC - 28314,

8.630 s Sep 26 2024 MiTek Industries, Inc. Wed Nov 6 14:43:30 2024 Page 3
 ID:I4HRAT3elT9qoRldAoEs_5z0Axy-RfC?PsB70Hq3NSgPqnL8w3uITXbGKWrCDoi7J4zJC?f

LOAD CASE(S) Standard

- Uniform Loads (plf)
 - Vert: 1-3=-20, 3-4=-20, 3-5=-240, 2-6=-20
- Concentrated Loads (lb)
 - Vert: 8=-250
- 15) Dead + 0.75 Roof Live (bal.) + 0.75 Attic Floor + 0.75(0.6 MWFRS Wind (Neg. Int) Left): Lumber Increase=1.60, Plate Increase=1.60
 - Uniform Loads (plf)
 - Vert: 1-2=-33, 2-3=-40, 3-4=-33, 3-8=-201, 5-8=-231, 2-6=-20
 - Horz: 1-2=-17, 2-3=-10, 3-4=-17
 - Concentrated Loads (lb)
 - Vert: 8=-480
- 16) Dead + 0.75 Roof Live (bal.) + 0.75 Attic Floor + 0.75(0.6 MWFRS Wind (Neg. Int) Right): Lumber Increase=1.60, Plate Increase=1.60
 - Uniform Loads (plf)
 - Vert: 1-2=-33, 2-3=-39, 3-4=-33, 3-8=-201, 5-8=-231, 2-6=-20
 - Horz: 1-2=-17, 2-3=-11, 3-4=-17
 - Concentrated Loads (lb)
 - Vert: 8=-480
- 17) Dead + 0.75 Roof Live (bal.) + 0.75 Attic Floor + 0.75(0.6 MWFRS Wind (Neg. Int) 1st Parallel): Lumber Increase=1.60, Plate Increase=1.60
 - Uniform Loads (plf)
 - Vert: 1-2=-24, 2-3=-31, 3-4=-24, 3-8=-213, 5-8=-243, 2-6=-20
 - Horz: 1-2=-26, 2-3=-19, 3-4=-26
 - Concentrated Loads (lb)
 - Vert: 8=-480
- 18) Dead + 0.75 Roof Live (bal.) + 0.75 Attic Floor + 0.75(0.6 MWFRS Wind (Neg. Int) 2nd Parallel): Lumber Increase=1.60, Plate Increase=1.60
 - Uniform Loads (plf)
 - Vert: 1-2=-36, 2-3=-43, 3-4=-36, 3-8=-213, 5-8=-243, 2-6=-20
 - Horz: 1-2=-14, 2-3=-7, 3-4=-14
 - Concentrated Loads (lb)
 - Vert: 8=-480
- 19) 1st Dead + Roof Live (unbalanced): Lumber Increase=1.15, Plate Increase=1.15
 - Uniform Loads (plf)
 - Vert: 1-3=-60, 3-4=-60, 3-8=-160, 5-8=-200, 2-6=-20
 - Concentrated Loads (lb)
 - Vert: 8=-500
- 20) 2nd Dead + Roof Live (unbalanced): Lumber Increase=1.15, Plate Increase=1.15
 - Uniform Loads (plf)
 - Vert: 1-3=-20, 3-4=-20, 3-8=-160, 5-8=-200, 2-6=-20
 - Concentrated Loads (lb)
 - Vert: 8=-500
- 21) 3rd Dead + 0.75 Roof Live (unbalanced): Lumber Increase=1.15, Plate Increase=1.15
 - Uniform Loads (plf)
 - Vert: 1-3=-50, 3-4=-50, 3-8=-220, 5-8=-250, 2-6=-20
 - Concentrated Loads (lb)
 - Vert: 8=-438
- 22) 4th Dead + 0.75 Roof Live (unbalanced): Lumber Increase=1.15, Plate Increase=1.15
 - Uniform Loads (plf)
 - Vert: 1-3=-20, 3-4=-20, 3-8=-220, 5-8=-250, 2-6=-20
 - Concentrated Loads (lb)
 - Vert: 8=-438

WARNING - Verify design parameters and READ NOTES ON THIS AND INCLUDED MITEK REFERENCE PAGE MII-7473 rev. 1/2/2023 BEFORE USE.

Design valid for use only with MiTek® connectors. This design is based only upon parameters shown, and is for an individual building component, not a truss system. Before use, the building designer must verify the applicability of design parameters and properly incorporate this design into the overall building design. Bracing indicated is to prevent buckling of individual truss web and/or chord members only. Additional temporary and permanent bracing is always required for stability and to prevent collapse with possible personal injury and property damage. For general guidance regarding the fabrication, storage, delivery, erection and bracing of trusses and truss systems, see **ANSI/TP1 Quality Criteria and DSB-22** available from Truss Plate Institute (www.tpinst.org) and **BCSI Building Component Safety Information** available from the Structural Building Component Association (www.sbcacomponents.com)

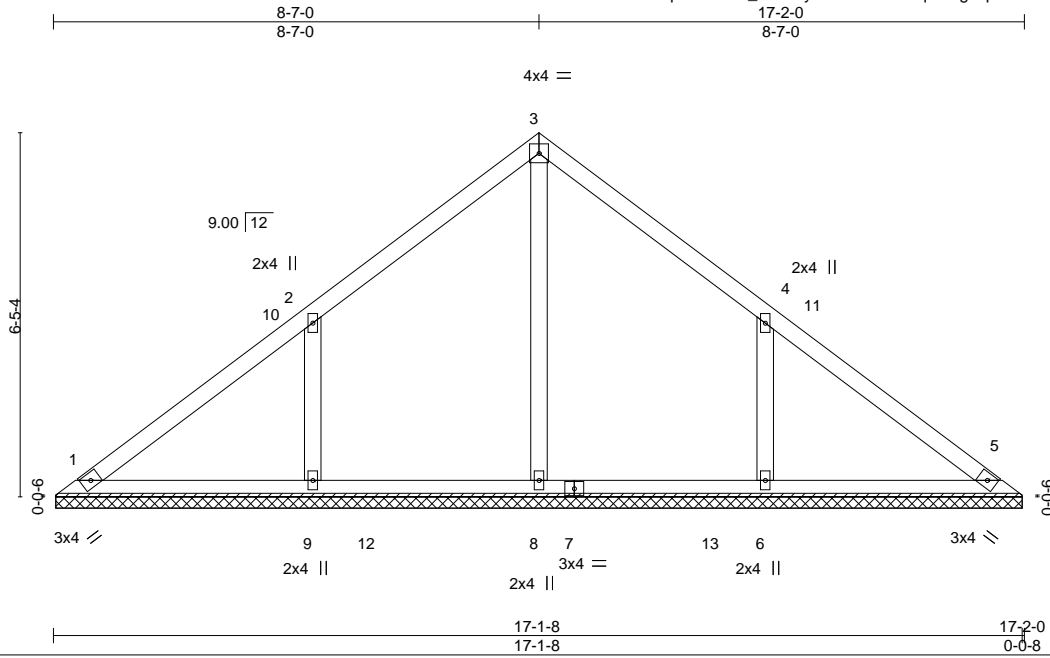


818 Soundside Road
 Edenton, NC 27932

Job J1224-6809	Truss V1	Truss Type VALLEY	Qty 1	Ply 1	Lot 16 West Preserve Job Reference (optional)	I69436116
-------------------	-------------	----------------------	----------	----------	--	-----------

Comtech, Inc. Fayetteville, NC - 28314,

8.630 s Sep 26 2024 MiTek Industries, Inc. Wed Nov 6 14:43:31 2024 Page 1
ID:I4HRAT3elT9qoRldAoEs_5z0Axy-RfC?PsB70Hq3NSgPqnL8w3uITXbGKWrCDoi7J4zJC?f



Scale = 1:40.7

Plate Offsets (X,Y)--	[4:0-0-0,0-0-0]								
LOADING (psf)	SPACING-	2-0-0	CSI.	DEFL.	in (loc)	l/defl	L/d	PLATES	GRIP
TCLL 20.0	Plate Grip DOL	1.15	TC 0.20	Vert(LL)	n/a	-	n/a	MT20	244/190
TCDL 10.0	Lumber DOL	1.15	BC 0.17	Vert(CT)	n/a	-	n/a		
BCLL 0.0 *	Rep Stress Incr	YES	WB 0.10	Horz(CT)	0.00	5	n/a		
BCDL 10.0	Code IRC2015/TPI2014		Matrix-S					Weight: 73 lb	FT = 20%

LUMBER-
TOP CHORD 2x4 SP No.1
BOT CHORD 2x4 SP No.1
OTHERS 2x4 SP No.2

BRACING-
TOP CHORD Structural wood sheathing directly applied or 6-0-0 oc purlins.
BOT CHORD Rigid ceiling directly applied or 10-0-0 oc bracing.

REACTIONS. All bearings 17-1-0.
(lb) - Max Horz 1=195(LC 9)
Max Uplift All uplift 100 lb or less at joint(s) 1 except 9=-218(LC 12), 6=-218(LC 13)
Max Grav All reactions 250 lb or less at joint(s) 1, 5 except 8=418(LC 19), 9=496(LC 19), 6=496(LC 20)

FORCES. (lb) - Max. Comp./Max. Ten. - All forces 250 (lb) or less except when shown.
WEBS 2-9=-455/344, 4-6=-455/345

- NOTES-**
- 1) Unbalanced roof live loads have been considered for this design.
 - 2) Wind: ASCE 7-10; Vult=150mph Vasd=119mph; TC DL=6.0psf; BCDL=6.0psf; h=15ft; Cat. II; Exp C; Enclosed; MWFRS (envelope) and C-C Exterior(2) 0-5-5 to 4-7-0, Interior(1) 4-7-0 to 8-7-0, Exterior(2) 8-7-0 to 12-11-13, Interior(1) 12-11-13 to 16-8-11 zone; C-C for members and forces & MWFRS for reactions shown; Lumber DOL=1.60 plate grip DOL=1.60
 - 3) Gable requires continuous bottom chord bearing.
 - 4) This truss has been designed for a 10.0 psf bottom chord live load nonconcurrent with any other live loads.
 - 5) * This truss has been designed for a live load of 30.0psf on the bottom chord in all areas where a rectangle 3-6-0 tall by 2-0-0 wide will fit between the bottom chord and any other members, with BCDL = 10.0psf.
 - 6) Provide mechanical connection (by others) of truss to bearing plate capable of withstanding 100 lb uplift at joint(s) 1 except (jt=lb) 9=218, 6=218.



November 7, 2024

WARNING - Verify design parameters and READ NOTES ON THIS AND INCLUDED MITEK REFERENCE PAGE MII-7473 rev. 1/2/2023 BEFORE USE.

Design valid for use only with MiTek® connectors. This design is based only upon parameters shown, and is for an individual building component, not a truss system. Before use, the building designer must verify the applicability of design parameters and properly incorporate this design into the overall building design. Bracing indicated is to prevent buckling of individual truss web and/or chord members only. Additional temporary and permanent bracing is always required for stability and to prevent collapse with possible personal injury and property damage. For general guidance regarding the fabrication, storage, delivery, erection and bracing of trusses and truss systems, see **ANSI/TPH Quality Criteria and DSB-22** available from Truss Plate Institute (www.tpinst.org) and **BCSI Building Component Safety Information** available from the Structural Building Component Association (www.sbcacomponents.com)

ENGINEERING BY
TRENCO
A MiTek Affiliate

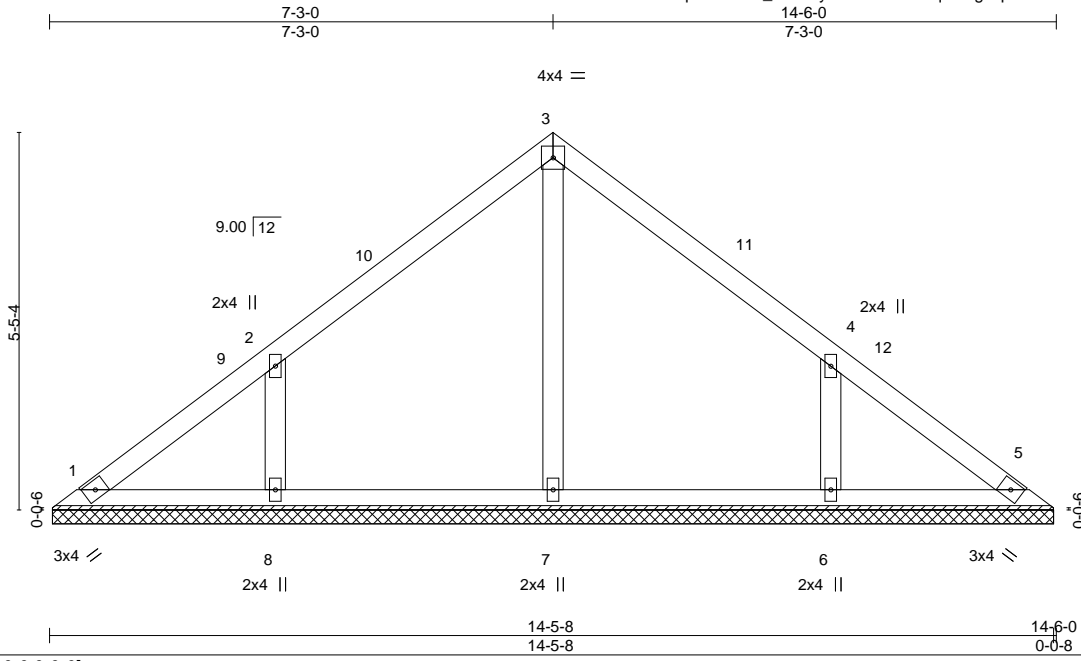
818 Soundside Road
Edenton, NC 27932

Job J1224-6809	Truss V2	Truss Type VALLEY	Qty 1	Ply 1	Lot 16 West Preserve Job Reference (optional)	I69436117
-------------------	-------------	----------------------	----------	----------	--	-----------

Comtech, Inc. Fayetteville, NC - 28314,

8.630 s Sep 26 2024 MiTek Industries, Inc. Wed Nov 6 14:43:31 2024 Page 1

ID:I4HRAT3elT9qoRldAoEs_5z0Axy-RfC?PsB70Hq3NSgPqnL8w3uITXbGKWrCDoi7J4zJC?f



Scale = 1:33.2

LOADING (psf)	SPACING-	CSI.	DEFL.	PLATES	GRIP
TCLL 20.0	2-0-0	TC 0.15	in (loc) l/defl L/d	MT20	244/190
TCDL 10.0	Plate Grip DOL 1.15	BC 0.08	Vert(LL) n/a - n/a 999		
BCLL 0.0 *	Lumber DOL 1.15	WB 0.08	Vert(CT) n/a - n/a 999		
BCDL 10.0	Rep Stress Incr YES	Matrix-S	Horz(CT) 0.00 5 n/a n/a		
	Code IRC2015/TPI2014			Weight: 60 lb	FT = 20%

LUMBER-	BRACING-
TOP CHORD 2x4 SP No.1	TOP CHORD Structural wood sheathing directly applied or 6-0-0 oc purlins.
BOT CHORD 2x4 SP No.1	BOT CHORD Rigid ceiling directly applied or 10-0-0 oc bracing.
OTHERS 2x4 SP No.2	

REACTIONS. All bearings 14-5-0.
 (lb) - Max Horz 1=163(LC 9)
 Max Uplift All uplift 100 lb or less at joint(s) 1 except 8=184(LC 12), 6=184(LC 13)
 Max Grav All reactions 250 lb or less at joint(s) 1, 5, 7 except 8=375(LC 19), 6=375(LC 20)

FORCES. (lb) - Max. Comp./Max. Ten. - All forces 250 (lb) or less except when shown.
 WEBS 2-8=-388/310, 4-6=-388/310

- NOTES-**
- Unbalanced roof live loads have been considered for this design.
 - Wind: ASCE 7-10; Vult=150mph Vasd=119mph; TC DL=6.0psf; BC DL=6.0psf; h=15ft; Cat. II; Exp C; Enclosed; MWFRS (envelope) and C-C Exterior(2) 0-5-5 to 4-10-1, Interior(1) 4-10-1 to 7-3-0, Exterior(2) 7-3-0 to 11-7-13, Interior(1) 11-7-13 to 14-0-11 zone; C-C for members and forces & MWFRS for reactions shown; Lumber DOL=1.60 plate grip DOL=1.60
 - Gable requires continuous bottom chord bearing.
 - This truss has been designed for a 10.0 psf bottom chord live load nonconcurrent with any other live loads.
 - * This truss has been designed for a live load of 30.0psf on the bottom chord in all areas where a rectangle 3-6-0 tall by 2-0-0 wide will fit between the bottom chord and any other members.
 - Provide mechanical connection (by others) of truss to bearing plate capable of withstanding 100 lb uplift at joint(s) 1 except (jt=lb) 8=184, 6=184.

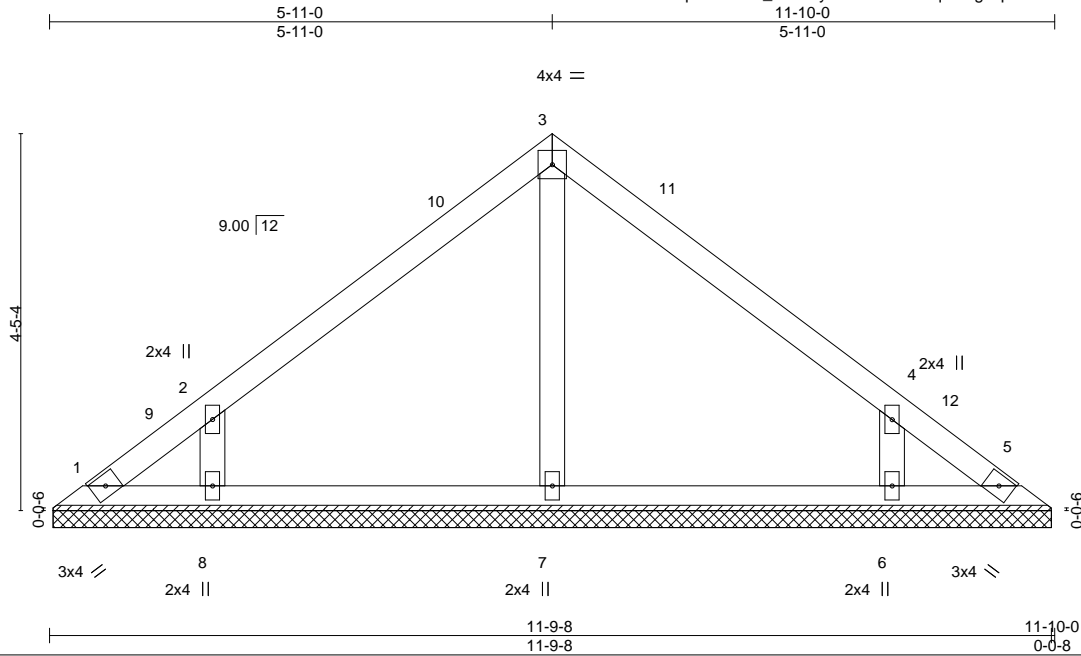


November 7, 2024

Job J1224-6809	Truss V3	Truss Type VALLEY	Qty 1	Ply 1	Lot 16 West Preserve Job Reference (optional)	I69436118
-------------------	-------------	----------------------	----------	----------	--	-----------

Comtech, Inc. Fayetteville, NC - 28314,

8.630 s Sep 26 2024 MiTek Industries, Inc. Wed Nov 6 14:43:32 2024 Page 1
ID:I4HRAT3elT9qoRldAoEs_5z0Axy-RfC?PsB70Hq3NSgPqnL8w3uITXbGKWrCDoi7J4zJC?f



Scale = 1:27.1

Plate Offsets (X,Y)--	[4:0-0-0,0-0-0]								
LOADING (psf)	SPACING-	2-0-0	CSI.	DEFL.	in (loc)	l/defl	L/d	PLATES	GRIP
TCLL 20.0	Plate Grip DOL	1.15	TC 0.14	Vert(LL)	n/a	-	n/a	MT20	244/190
TCDL 10.0	Lumber DOL	1.15	BC 0.09	Vert(CT)	n/a	-	n/a		
BCLL 0.0 *	Rep Stress Incr	YES	WB 0.06	Horz(CT)	0.00	5	n/a		
BCDL 10.0	Code IRC2015/TPI2014		Matrix-S					Weight: 46 lb	FT = 20%

LUMBER-	BRACING-
TOP CHORD 2x4 SP No.1	TOP CHORD Structural wood sheathing directly applied or 6-0-0 oc purlins.
BOT CHORD 2x4 SP No.1	BOT CHORD Rigid ceiling directly applied or 10-0-0 oc bracing.
OTHERS 2x4 SP No.2	

REACTIONS. All bearings 11-9-0.
 (lb) - Max Horz 1=-131(LC 8)
 Max Uplift All uplift 100 lb or less at joint(s) 1, 5 except 8=-172(LC 12), 6=-171(LC 13)
 Max Grav All reactions 250 lb or less at joint(s) 1, 5 except 7=253(LC 1), 8=343(LC 19), 6=342(LC 20)

FORCES. (lb) - Max. Comp./Max. Ten. - All forces 250 (lb) or less except when shown.
WEBS 2-8=-372/316, 4-6=-372/316

NOTES-

- 1) Unbalanced roof live loads have been considered for this design.
- 2) Wind: ASCE 7-10; Vult=150mph Vasd=119mph; TC DL=6.0psf; BC DL=6.0psf; h=15ft; Cat. II; Exp C; Enclosed; MWFRS (envelope) and C-C Exterior(2) 0-5-5 to 4-10-1, Interior(1) 4-10-1 to 5-11-0, Exterior(2) 5-11-0 to 10-3-13, Interior(1) 10-3-13 to 11-4-11 zone; C-C for members and forces & MWFRS for reactions shown; Lumber DOL=1.60 plate grip DOL=1.60
- 3) Gable requires continuous bottom chord bearing.
- 4) This truss has been designed for a 10.0 psf bottom chord live load nonconcurrent with any other live loads.
- 5) * This truss has been designed for a live load of 30.0psf on the bottom chord in all areas where a rectangle 3-6-0 tall by 2-0-0 wide will fit between the bottom chord and any other members.
- 6) Provide mechanical connection (by others) of truss to bearing plate capable of withstanding 100 lb uplift at joint(s) 1, 5 except (jt=lb) 8=172, 6=171.



November 7, 2024

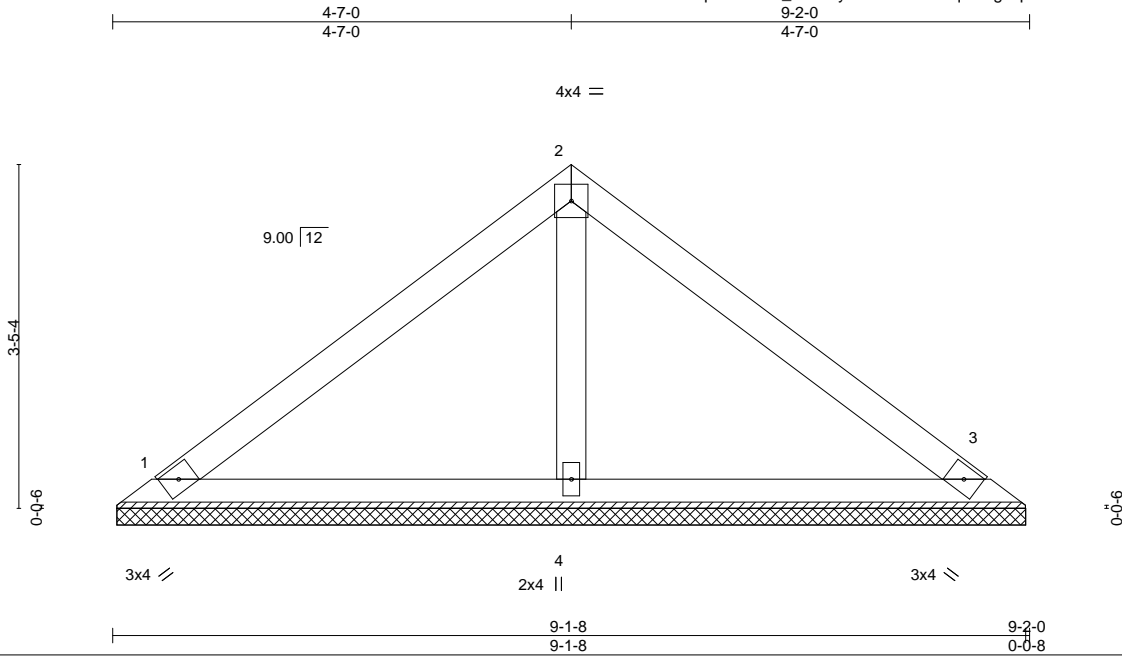
<p>WARNING - Verify design parameters and READ NOTES ON THIS AND INCLUDED MITEK REFERENCE PAGE MII-7473 rev. 1/2/2023 BEFORE USE. Design valid for use only with MiTek® connectors. This design is based only upon parameters shown, and is for an individual building component, not a truss system. Before use, the building designer must verify the applicability of design parameters and properly incorporate this design into the overall building design. Bracing indicated is to prevent buckling of individual truss web and/or chord members only. Additional temporary and permanent bracing is always required for stability and to prevent collapse with possible personal injury and property damage. For general guidance regarding the fabrication, storage, delivery, erection and bracing of trusses and truss systems, see ANSI/TPH Quality Criteria and DSB-22 available from Truss Plate Institute (www.tpinst.org) and BCSI Building Component Safety Information available from the Structural Building Component Association (www.sbcacomponents.com)</p>	<p>ENGINEERING BY TRENCO A MiTek Affiliate</p> <p>818 Soundside Road Edenton, NC 27932</p>
--	--

Job J1224-6809	Truss V4	Truss Type VALLEY	Qty 1	Ply 1	Lot 16 West Preserve Job Reference (optional) I69436119
-------------------	-------------	----------------------	----------	----------	---

Comtech, Inc. Fayetteville, NC - 28314,

8.630 s Sep 26 2024 MiTek Industries, Inc. Wed Nov 6 14:43:32 2024 Page 1

ID:I4HRAT3elT9qoRldAoEs_5z0Axy-RfC?PsB70Hq3NSgPqnL8w3uITXbGKWrCDoi7J4zJC?f



Scale = 1:23.0

LOADING (psf)	SPACING-	2-0-0	CSI.	DEFL.	in (loc)	l/defl	L/d	PLATES	GRIP	
TCLL 20.0	Plate Grip DOL	1.15	TC 0.19	Vert(LL)	n/a	-	n/a	999	MT20	244/190
TCDL 10.0	Lumber DOL	1.15	BC 0.13	Vert(CT)	n/a	-	n/a	999		
BCLL 0.0 *	Rep Stress Incr	YES	WB 0.04	Horz(CT)	0.00	3	n/a	n/a		
BCDL 10.0	Code	IRC2015/TPI2014	Matrix-S						Weight: 33 lb	FT = 20%

LUMBER-
 TOP CHORD 2x4 SP No.1
 BOT CHORD 2x4 SP No.1
 OTHERS 2x4 SP No.2

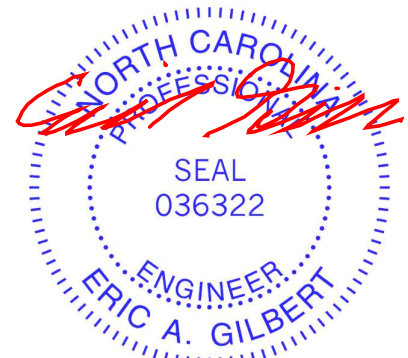
BRACING-
 TOP CHORD Structural wood sheathing directly applied or 6-0-0 oc purlins.
 BOT CHORD Rigid ceiling directly applied or 10-0-0 oc bracing.

REACTIONS. (size) 1=9-1-0, 3=9-1-0, 4=9-1-0
 Max Horz 1=99(LC 11)
 Max Uplift 1=-42(LC 12), 3=-52(LC 13), 4=-24(LC 12)
 Max Grav 1=171(LC 1), 3=172(LC 20), 4=321(LC 1)

FORCES. (lb) - Max. Comp./Max. Ten. - All forces 250 (lb) or less except when shown.

NOTES-

- Unbalanced roof live loads have been considered for this design.
- Wind: ASCE 7-10; Vult=150mph Vasd=119mph; TC DL=6.0psf; BCDL=6.0psf; h=15ft; Cat. II; Exp C; Enclosed; MWFRS (envelope) and C-C Exterior(2) zone; C-C for members and forces & MWFRS for reactions shown; Lumber DOL=1.60 plate grip DOL=1.60
- Gable requires continuous bottom chord bearing.
- This truss has been designed for a 10.0 psf bottom chord live load nonconcurrent with any other live loads.
- * This truss has been designed for a live load of 30.0psf on the bottom chord in all areas where a rectangle 3-6-0 tall by 2-0-0 wide will fit between the bottom chord and any other members.
- Provide mechanical connection (by others) of truss to bearing plate capable of withstanding 100 lb uplift at joint(s) 1, 3, 4.



November 7, 2024

WARNING - Verify design parameters and READ NOTES ON THIS AND INCLUDED MITEK REFERENCE PAGE MII-7473 rev. 1/2/2023 BEFORE USE.

Design valid for use only with MiTek® connectors. This design is based only upon parameters shown, and is for an individual building component, not a truss system. Before use, the building designer must verify the applicability of design parameters and properly incorporate this design into the overall building design. Bracing indicated is to prevent buckling of individual truss web and/or chord members only. Additional temporary and permanent bracing is always required for stability and to prevent collapse with possible personal injury and property damage. For general guidance regarding the fabrication, storage, delivery, erection and bracing of trusses and truss systems, see **ANSI/TPH Quality Criteria and DSB-22** available from Truss Plate Institute (www.tpinst.org) and **BCSI Building Component Safety Information** available from the Structural Building Component Association (www.sbcacomponents.com)



818 Soundside Road
 Edenton, NC 27932

Job J1224-6809	Truss V5	Truss Type VALLEY	Qty 1	Ply 1	Lot 16 West Preserve I69436120
-------------------	-------------	----------------------	----------	----------	-----------------------------------

Comtech, Inc. Fayetteville, NC - 28314,

8.630 s Sep 26 2024 MiTek Industries, Inc. Wed Nov 6 14:43:33 2024 Page 1

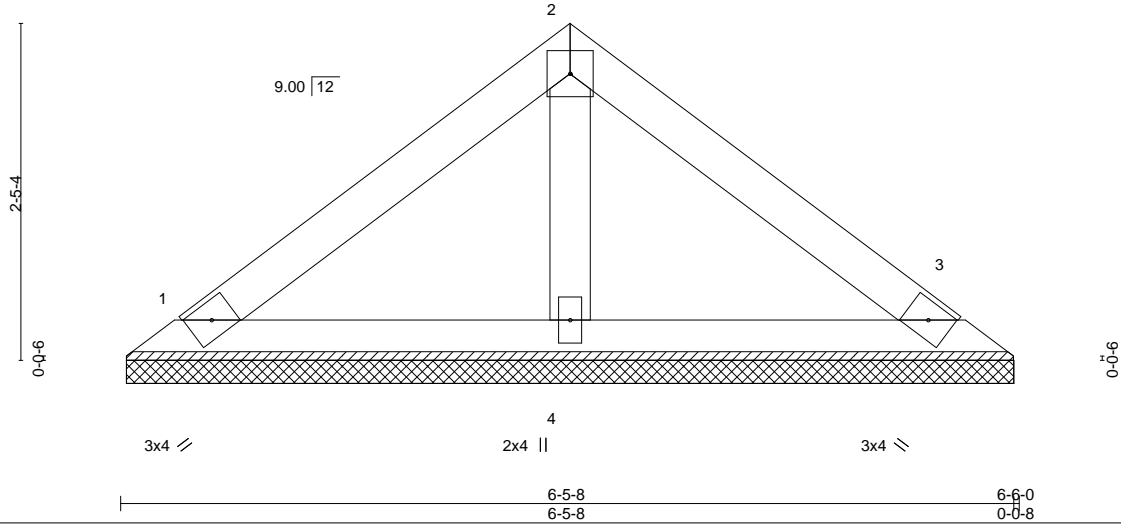
ID:I4HRAT3elT9qoRldAoEs_5z0Axy-RfC?PsB70Hq3NSgPqnL8w3uITXbGKWrCDoi7J4zJC?f

Job Reference (optional)



4x4 =

Scale = 1:16.7



LOADING (psf)	SPACING-	CSI.	DEFL.	in (loc)	l/defl	L/d	PLATES	GRIP
TCLL 20.0	2-0-0	TC 0.13	Vert(LL)	n/a	-	n/a	MT20	244/190
TCDL 10.0	Plate Grip DOL 1.15	BC 0.06	Vert(CT)	n/a	-	n/a		
BCLL 0.0 *	Lumber DOL 1.15	WB 0.02	Horz(CT)	0.00	3	n/a		
BCDL 10.0	Rep Stress Incr YES	Matrix-P					Weight: 23 lb	FT = 20%
	Code IRC2015/TPI2014							

LUMBER-
 TOP CHORD 2x4 SP No.1
 BOT CHORD 2x4 SP No.1
 OTHERS 2x4 SP No.2

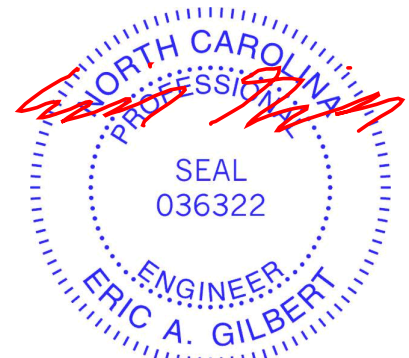
BRACING-
 TOP CHORD Structural wood sheathing directly applied or 6-0-0 oc purlins.
 BOT CHORD Rigid ceiling directly applied or 10-0-0 oc bracing.

REACTIONS. (size) 1=6-5-0, 3=6-5-0, 4=6-5-0
 Max Horz 1=-67(LC 8)
 Max Uplift 1=-37(LC 12), 3=-44(LC 13)
 Max Grav 1=126(LC 1), 3=126(LC 1), 4=197(LC 1)

FORCES. (lb) - Max. Comp./Max. Ten. - All forces 250 (lb) or less except when shown.

NOTES-

- Unbalanced roof live loads have been considered for this design.
- Wind: ASCE 7-10; Vult=150mph Vasd=119mph; TC DL=6.0psf; BCDL=6.0psf; h=15ft; Cat. II; Exp C; Enclosed; MWFRS (envelope) and C-C Exterior(2) zone; C-C for members and forces & MWFRS for reactions shown; Lumber DOL=1.60 plate grip DOL=1.60
- Gable requires continuous bottom chord bearing.
- This truss has been designed for a 10.0 psf bottom chord live load nonconcurrent with any other live loads.
- * This truss has been designed for a live load of 30.0psf on the bottom chord in all areas where a rectangle 3-6-0 tall by 2-0-0 wide will fit between the bottom chord and any other members.
- Provide mechanical connection (by others) of truss to bearing plate capable of withstanding 100 lb uplift at joint(s) 1, 3.



November 7, 2024

WARNING - Verify design parameters and READ NOTES ON THIS AND INCLUDED MITEK REFERENCE PAGE MII-7473 rev. 1/2/2023 BEFORE USE.

Design valid for use only with MiTek® connectors. This design is based only upon parameters shown, and is for an individual building component, not a truss system. Before use, the building designer must verify the applicability of design parameters and properly incorporate this design into the overall building design. Bracing indicated is to prevent buckling of individual truss web and/or chord members only. Additional temporary and permanent bracing is always required for stability and to prevent collapse with possible personal injury and property damage. For general guidance regarding the fabrication, storage, delivery, erection and bracing of trusses and truss systems, see **ANSI/TPH Quality Criteria and DSB-22** available from Truss Plate Institute (www.tpinst.org) and **BCSI Building Component Safety Information** available from the Structural Building Component Association (www.sbcacomponents.com)



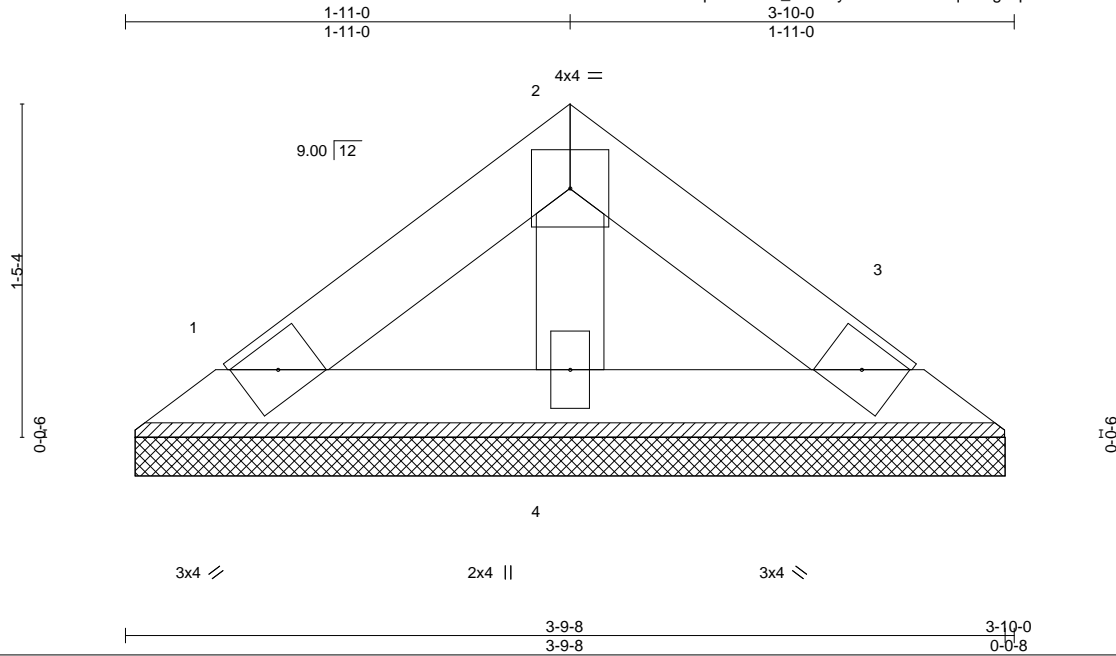
818 Soundside Road
 Edenton, NC 27932

Job J1224-6809	Truss V6	Truss Type VALLEY	Qty 1	Ply 1	Lot 16 West Preserve Job Reference (optional)	I69436121
-------------------	-------------	----------------------	----------	----------	--	-----------

Comtech, Inc. Fayetteville, NC - 28314,

8.630 s Sep 26 2024 MiTek Industries, Inc. Wed Nov 6 14:43:33 2024 Page 1

ID:I4HRAT3elT9qoRldAoEs_5z0Axy-RfC?PsB70Hq3NSgPqnL8w3uITXbGKWrCDoi7J4zJC?f



Scale = 1:9.9

LOADING (psf)	SPACING-	CSI.	DEFL.	in (loc)	l/defl	L/d	PLATES	GRIP
TCLL 20.0	2-0-0	TC 0.03	Vert(LL)	n/a	-	n/a	MT20	244/190
TCDL 10.0	Plate Grip DOL 1.15	BC 0.02	Vert(CT)	n/a	-	n/a		
BCLL 0.0 *	Lumber DOL 1.15	WB 0.01	Horz(CT)	0.00	3	n/a		
BCDL 10.0	Rep Stress Incr YES	Matrix-P					Weight: 12 lb	FT = 20%
	Code IRC2015/TPI2014							

LUMBER-
TOP CHORD 2x4 SP No.1
BOT CHORD 2x4 SP No.1
OTHERS 2x4 SP No.2

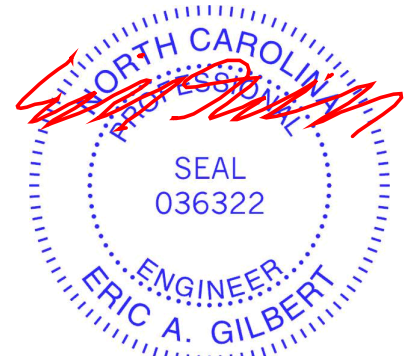
BRACING-
TOP CHORD Structural wood sheathing directly applied or 3-10-0 oc purlins.
BOT CHORD Rigid ceiling directly applied or 10-0-0 oc bracing.

REACTIONS. (size) 1=3-9-0, 3=3-9-0, 4=3-9-0
Max Horz 1=-35(LC 8)
Max Uplift 1=-20(LC 12), 3=-23(LC 13)
Max Grav 1=66(LC 1), 3=66(LC 1), 4=104(LC 1)

FORCES. (lb) - Max. Comp./Max. Ten. - All forces 250 (lb) or less except when shown.

NOTES-

- 1) Unbalanced roof live loads have been considered for this design.
- 2) Wind: ASCE 7-10; Vult=150mph Vasd=119mph; TC DL=6.0psf; BC DL=6.0psf; h=15ft; Cat. II; Exp C; Enclosed; MWFRS (envelope) and C-C Exterior(2) zone; C-C for members and forces & MWFRS for reactions shown; Lumber DOL=1.60 plate grip DOL=1.60
- 3) Gable requires continuous bottom chord bearing.
- 4) This truss has been designed for a 10.0 psf bottom chord live load nonconcurrent with any other live loads.
- 5) * This truss has been designed for a live load of 30.0psf on the bottom chord in all areas where a rectangle 3-6-0 tall by 2-0-0 wide will fit between the bottom chord and any other members.
- 6) Provide mechanical connection (by others) of truss to bearing plate capable of withstanding 100 lb uplift at joint(s) 1, 3.



November 7, 2024

WARNING - Verify design parameters and READ NOTES ON THIS AND INCLUDED MITEK REFERENCE PAGE MII-7473 rev. 1/2/2023 BEFORE USE.

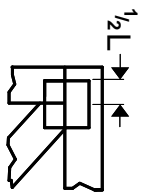
Design valid for use only with MiTek® connectors. This design is based only upon parameters shown, and is for an individual building component, not a truss system. Before use, the building designer must verify the applicability of design parameters and properly incorporate this design into the overall building design. Bracing indicated is to prevent buckling of individual truss web and/or chord members only. Additional temporary and permanent bracing is always required for stability and to prevent collapse with possible personal injury and property damage. For general guidance regarding the fabrication, storage, delivery, erection and bracing of trusses and truss systems, see **ANSI/TPH Quality Criteria and DSB-22** available from Truss Plate Institute (www.tpinst.org) and **BCSI Building Component Safety Information** available from the Structural Building Component Association (www.sbcacomponents.com)



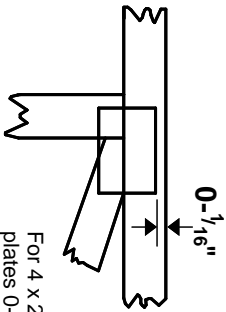
818 Soundside Road
Edenton, NC 27932

Symbols

PLATE LOCATION AND ORIENTATION



Center plate on joint unless x, y offsets are indicated. Dimensions are in ft-in-sixteenths. Apply plates to both sides of truss and fully embed teeth.



For 4 x 2 orientation, locate plates 0- 1/16\"/>



This symbol indicates the required direction of slots in connector plates.

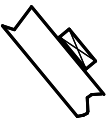
* Plate location details available in MITek software or upon request.

PLATE SIZE

4 X 4

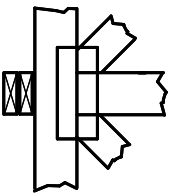
The first dimension is the plate width measured perpendicular to slots. Second dimension is the length parallel to slots.

LATERAL BRACING LOCATION



Indicated by symbol shown and/or by text in the bracing section of the output. Use T or I bracing if indicated.

BEARING



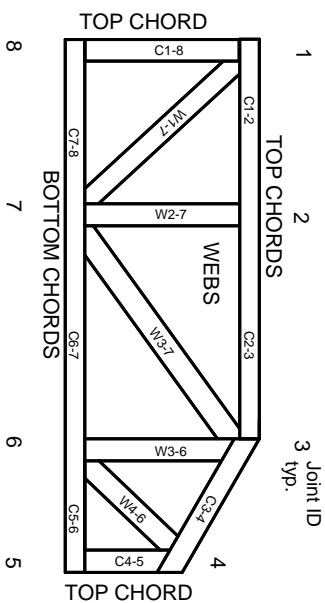
Indicates location where bearings (supports) occur. Icons vary but reaction section indicates joint number/letter where bearings occur. Min size shown is for crushing only.

Industry Standards:

ANSI/TP1: National Design Specification for Metal Plate Connected Wood Truss Construction.
DSB-22: Design Standard for Bracing.
BCSI: Building Component Safety Information, Guide to Good Practice for Handling, Installing, Restraining & Bracing of Metal Plate Connected Wood Trusses.

Numbering System

6-4-8 dimensions shown in ft-in-sixteenths (Drawings not to scale)



JOINTS ARE GENERALLY NUMBERED/LETTERED CLOCKWISE AROUND THE TRUSS STARTING AT THE JOINT FARTHEST TO THE LEFT.

CHORDS AND WEBS ARE IDENTIFIED BY END JOINT NUMBERS/LETTERS.

Product Code Approvals

ICC-ES Reports:

ESR-1988, ESR-2362, ESR-2685, ESR-3282
ESR-4722, ESL-1388

Design General Notes

Trusses are designed for wind loads in the plane of the truss unless otherwise shown.

Lumber design values are in accordance with ANSI/TP1 section 6.3. These truss designs rely on Lumber values established by others.

© 2023 MITek® All Rights Reserved

MITek

ENGINEERING BY
TRENGO
A MITek Affiliate

MITek Engineering Reference Sheet: MIL-7473 rev. 1/2/2023

General Safety Notes

Failure to Follow Could Cause Property Damage or Personal Injury

1. Additional stability/bracing for truss system, e.g. diagonal or X-bracing, is always required. See BCSI.
2. Truss bracing must be designed by an engineer. For wide truss spacing, individual lateral braces themselves may require bracing, or alternative Tor I bracing should be considered.
3. Never exceed the design loading shown and never stack materials on inadequately braced trusses.
4. Provide copies of this truss design to the building designer, erection supervisor, property owner and all other interested parties.
5. Cut members to bear tightly against each other.
6. Place plates on each face of truss at each joint and embed fully. Knots and wane at joint locations are regulated by ANSI/TP1 1.
7. Design assumes trusses will be suitably protected from the environment in accord with ANSI/TP1 1.
8. Unless otherwise noted, moisture content of lumber shall not exceed 19% at time of fabrication.
9. Unless expressly noted, this design is not applicable for use with fire retardant, preservative treated, or green lumber.
10. Camber is a non-structural consideration and is the responsibility of truss fabricator. General practice is to camber for dead load deflection.
11. Plate type, size, orientation and location dimensions indicated are minimum plating requirements.
12. Lumber used shall be of the species and size, and in all respects, equal to or better than that specified.
13. Top chords must be sheathed or purlins provided at spacing indicated on design.
14. Bottom chords require lateral bracing at 10 ft. spacing, or less, if no ceiling is installed, unless otherwise noted.
15. Connections not shown are the responsibility of others.
16. Do not cut or alter truss member or plate without prior approval of an engineer.
17. Install and load vertically unless indicated otherwise.
18. Use of green or treated lumber may pose unacceptable environmental, health or performance risks. Consult with project engineer before use.
19. Review all portions of this design (front, back, words and pictures) before use. Reviewing pictures alone is not sufficient.
20. Design assumes manufacture in accordance with ANSI/TP1 1 Quality Criteria.
21. The design does not take into account any dynamic or other loads other than those expressly stated.



ROOF & FLOOR TRUSSES & BEAMS

Reilly Road Industrial Park
Fayetteville, N.C. 28309
Phone: (910) 864-8787
Fax: (910) 864-4444

Bearing reactions less than or equal to 3000# are deemed to comply with the prescriptive Code requirements. The contractor shall refer to the attached Tables (derived from the prescriptive Code requirements) to determine the minimum foundation size and number of wood studs required to support reactions greater than 3000# but not greater than 15000#. A registered design professional shall be retained to design the support system for any reaction that exceeds those specified in the attached Tables. A registered design professional shall be retained to design the support system for all reactions that exceed 15000#.

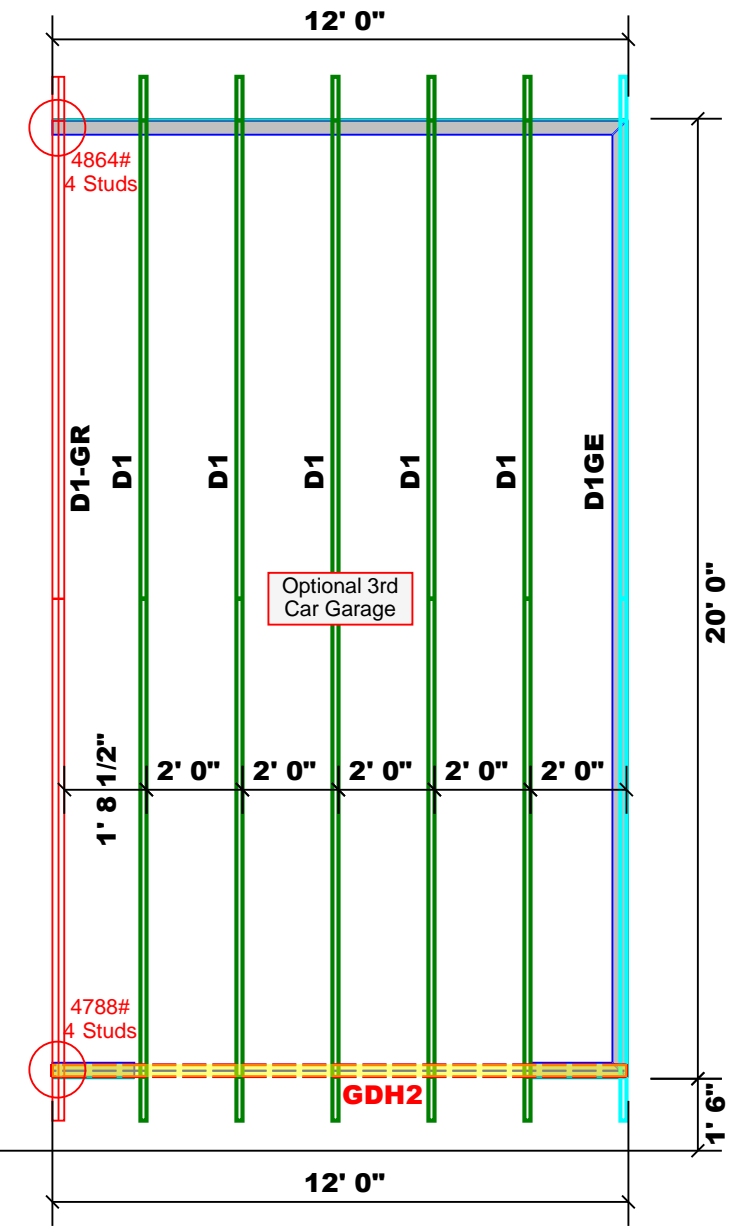
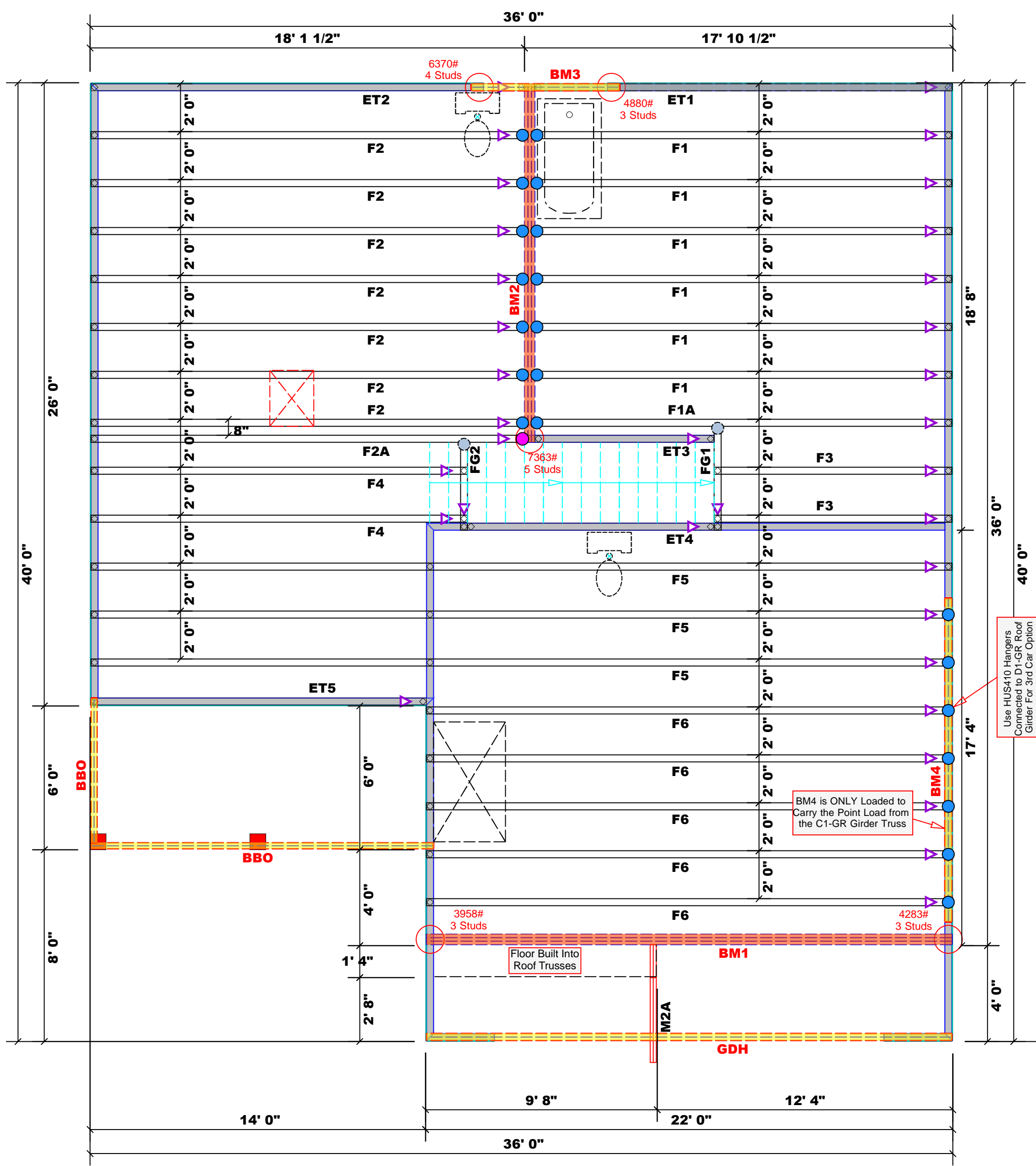
Signature David Landry
David Landry

LOAD CHART FOR JACK STUDS

(BASED ON TABLES R502.5(1) & (b))

NUMBER OF JACK STUDS REQUIRED @ EA END OF HEADER/GIRDER

END REACTION (UP TO)	REQ. D. STUDS FOR (1) FLY HEADER	END REACTION (UP TO)	REQ. D. STUDS FOR (1) FLY HEADER	END REACTION (UP TO)	REQ. D. STUDS FOR (1) FLY HEADER
1700	1	2550	1	3400	1
3400	2	5100	2	6800	2
5100	3	7650	3	10200	3
6800	4	10200	4	13600	4
8500	5	12750	5	17000	5
10200	6	15300	6		
11900	7				
13600	8				
15300	9				



Dimension Notes

- All exterior wall to wall dimensions are to face of sheathing unless noted otherwise
- All interior wall dimensions are to face of frame wall unless noted otherwise
- All exterior wall to truss dimensions are to face of frame wall unless noted otherwise

All Walls Shown Are Considered Load Bearing

Plumbing Drop Notes

- Plumbing drop locations shown are NOT exact.
- Contractor to verify ALL plumbing drop locations prior to setting Floor Trusses.
- Adjust spacing as needed not to exceed 24"oc.

Connector Information				Nail Information	
Sym	Product	Manuf	Qty	Supported Member	Header / Truss
●	HUS410	USP	21	NA	16d/3-1/2" / 16d/3-1/2"
●	MSH422	USP	2	Varies	10d/3" / 10d/3"
●	HD410IF	USP	1	NA	16d/3-1/2" / 10d/3"

Products				
PlotID	Length	Product	Plies	Net Qty
BM1	22' 0"	1-3/4"x 16" LVL Kerto-S	3	3
BM2	15' 0"	1-3/4"x 16" LVL Kerto-S	3	3
BM3	7' 0"	1-3/4"x 9-1/4" LVL Kerto-S	2	2
BM4	14' 0"	1-3/4"x 9-1/4" LVL Kerto-S	2	2
GDH	22' 0"	1-3/4"x 11-7/8" LVL Kerto-S	2	2

1 Truss Placement Plan
Scale: 1/4"=1'

BUILDER	JOB NAME	PLAN	SEAL DATE	QUOTE #	JOB #
Weaver Homes, Inc.	Lot 16 West Preserve	Brinkley "C" / 3GRF, CP	N/A		J1224-6810

CITY / CO.	Sanford / Harnett
ADDRESS	290 Boyce Court
MODEL	Floor
DATE REV.	12/18/24
DRAWN BY	David Landry
SALES REP.	Lenny Norris

▲ = Indicates Left End of Truss (Reference Engineered Truss Drawing) Do NOT Erect Truss Backwards

THIS IS A TRUSS PLACEMENT DIAGRAM ONLY. These trusses are designed as individual building components to be incorporated into the building design at the specification of the building designer. See individual design sheets for each truss design identified on the placement drawing. The building designer is responsible for temporary and permanent bracing of the roof and floor system and for the overall structure. The design of the truss support structure including headers, beams, walls, and columns is the responsibility of the building designer. For general guidance regarding bracing, consult BCSI-B1 and BCSI-B3 provided with the truss delivery package or online @ sbcindustry.com



ROOF & FLOOR TRUSSES & BEAMS

Reilly Road Industrial Park
Fayetteville, N.C. 28309
Phone: (910) 864-8787
Fax: (910) 864-4444

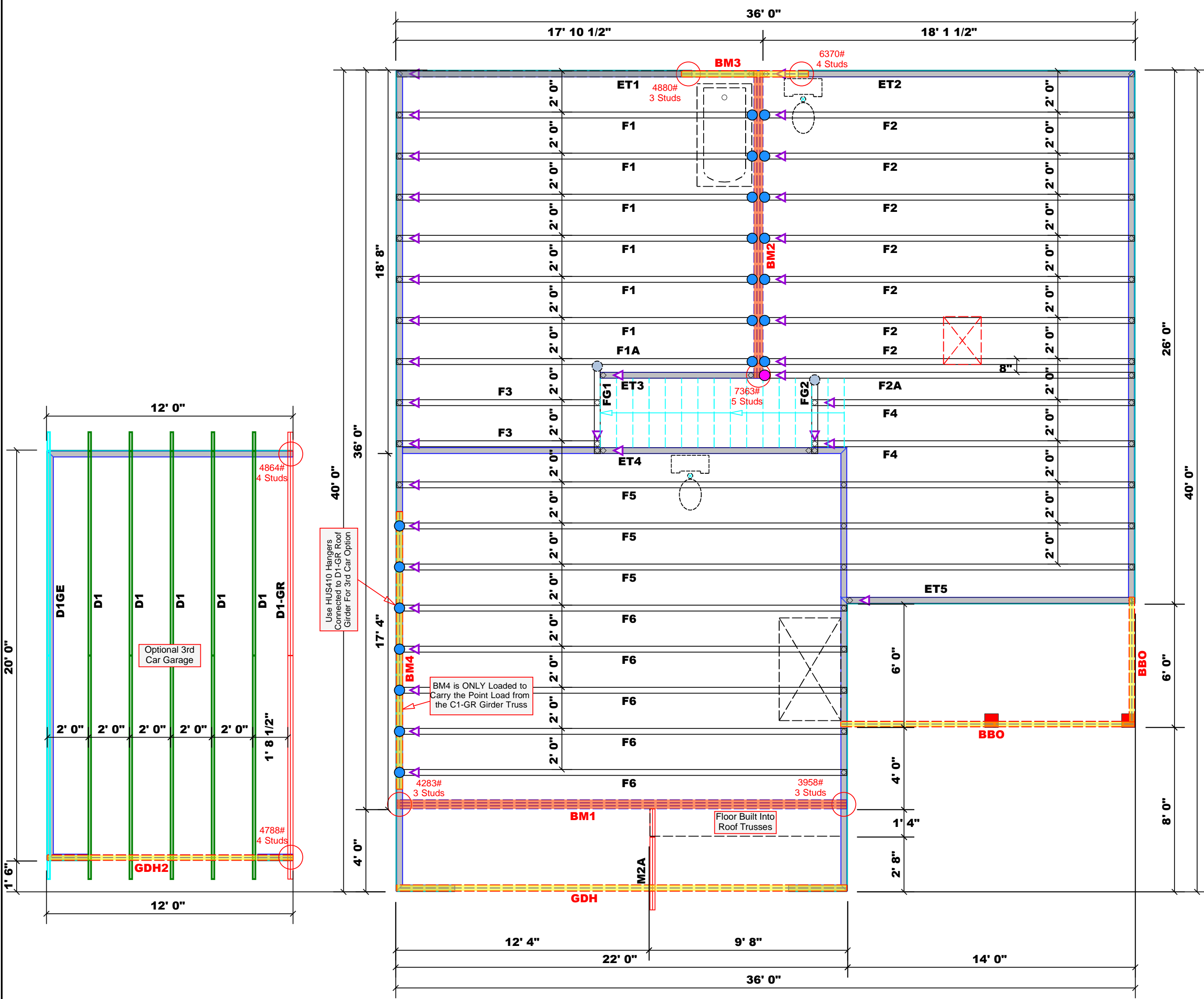
Bearing reactions less than or equal to 3000# are deemed to comply with the prescriptive Code requirements. The contractor shall refer to the attached Tables (derived from the prescriptive Code requirements) to determine the minimum foundation size and number of wood studs required to support reactions greater than 3000# but not greater than 15000#. A registered design professional shall be retained to design the support system for any reaction that exceeds those specified in the attached Tables. A registered design professional shall be retained to design the support system for all reactions that exceed 15000#.

Signature David Landry
David Landry

LOAD CHART FOR JACK STUDS

(BASED ON TABLES R502.5(1) & (b))
NUMBER OF JACK STUDS REQUIRED @ EA END OF HEADER/GIRDER

END REACTION (UP TO)	REQ. D. STUDS FOR (1) PLY HEADER	END REACTION (UP TO)	REQ. D. STUDS FOR (1) PLY HEADER	END REACTION (UP TO)	REQ. D. STUDS FOR (1) PLY HEADER
1700	1	2550	1	3400	1
3400	2	5100	2	6800	2
5100	3	7650	3	10200	3
6800	4	10200	4	13600	4
8500	5	12750	5	17000	5
10200	6	15300	6		
11900	7				
13600	8				
15300	9				



Dimension Notes

- All exterior wall to wall dimensions are to face of sheathing unless noted otherwise
- All interior wall dimensions are to face of frame wall unless noted otherwise
- All exterior wall to truss dimensions are to face of frame wall unless noted otherwise

All Walls Shown Are Considered Load Bearing

Plumbing Drop Notes

- Plumbing drop locations shown are NOT exact.
- Contractor to verify ALL plumbing drop locations prior to setting Floor Trusses.
- Adjust spacing as needed not to exceed 24"oc.

Connector Information					Nail Information	
Sym	Product	Manuf	Qty	Supported Member	Header	Truss
●	HUS410	USP	21	NA	16d/3-1/2"	16d/3-1/2"
●	MSH422	USP	2	Varies	10d/3"	10d/3"
●	HD410IF	USP	1	NA	16d/3-1/2"	10d/3"

Products				
PlotID	Length	Product	Ply	Net Qty
BM1	22' 0"	1-3/4"x 16" LVL Kerto-S	3	3
BM2	15' 0"	1-3/4"x 16" LVL Kerto-S	3	3
BM3	7' 0"	1-3/4"x 9-1/4" LVL Kerto-S	2	2
BM4	14' 0"	1-3/4"x 9-1/4" LVL Kerto-S	2	2
GDH	22' 0"	1-3/4"x 11-7/8" LVL Kerto-S	2	2

1 Truss Placement Plan
Scale: 1/4"=1'

BUILDER	JOB NAME	PLAN	SEAL DATE	QUOTE #	JOB #
Weaver Homes, Inc.	Lot 16 West Preserve	Brinkley "C" / 3GRF, CP	N/A		J1224-6810

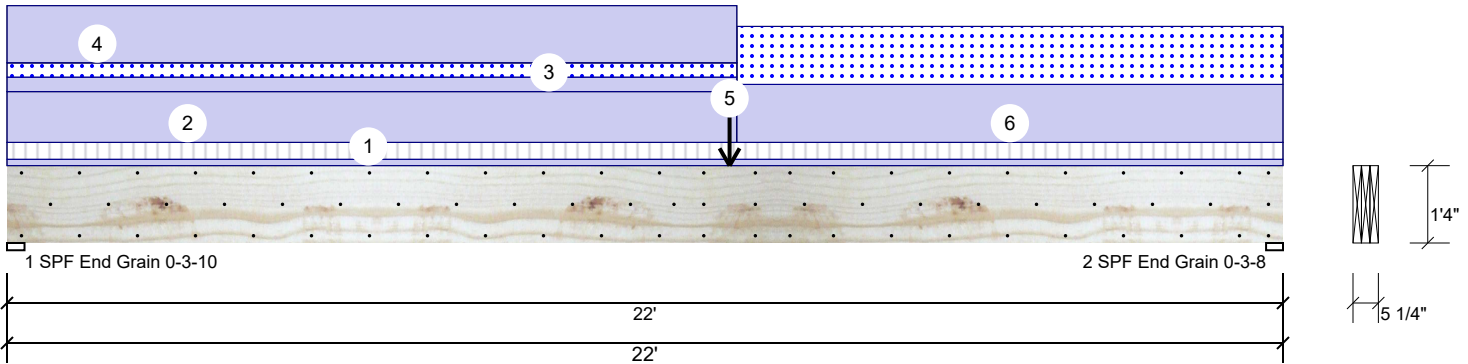
CITY / CO.	ADDRESS	MODEL	DATE REV.	DRAWN BY	SALES REP.
Sanford / Harnett	290 Boyce Court	Floor	12/18/24	David Landry	Lenny Norris

▲ = Indicates Left End of Truss (Reference Engineered Truss Drawing)
Do NOT Erect Truss Backwards

THIS IS A TRUSS PLACEMENT DIAGRAM ONLY. These trusses are designed as individual building components to be incorporated into the building design at the specification of the building designer. See individual design sheets for each truss design identified on the placement drawing. The building designer is responsible for temporary and permanent bracing of the roof and floor system and for the overall structure. The design of the truss support structure including headers, beams, walls, and columns is the responsibility of the building designer. For general guidance regarding bracing, consult BCSI-B1 and BCSI-B3 provided with the truss delivery package or online @ sbcindustry.com

BM1 Kerto-S LVL 1.750" X 16.000" 3-Ply - PASSED

Level: Level



Member Information

Type:	Girder	Application:	Floor
Plies:	3	Design Method:	ASD
Moisture Condition:	Dry	Building Code:	IBC/IRC 2015
Deflection LL:	480	Load Sharing:	Yes
Deflection TL:	360	Deck:	Not Checked
Importance:	Normal - II	Ceiling:	Gypsum 1/2"
Temperature:	Temp <= 100°F		

Reactions UNPATTERNED Ib (Uplift)

Brg	Direction	Live	Dead	Snow	Wind	Const
1	Vertical	440	3406	729	0	0
2	Vertical	440	2616	1342	0	0

Bearings

Bearing	Length	Dir.	Cap.	React D/L lb	Total	Ld. Case	Ld. Comb.
1 - SPF End Grain	3.625"	Vert	27%	3406 / 877	4283	L	D+0.75(L+S)
2 - SPF End Grain	3.500"	Vert	26%	2616 / 1342	3958	L	D+S

Analysis Results

Analysis	Actual	Location	Allowed	Capacity	Comb.	Case
Moment	23283 ft-lb	11'3 7/8"	62010 ft-lb	0.375 (38%)	D+0.75(L+S)	L
Unbraced	23283 ft-lb	11'3 7/8"	23317 ft-lb	0.999 (100%)	D+0.75(L+S)	L
Shear	4009 lb	1'7 5/8"	20608 lb	0.195 (19%)	D+0.75(L+S)	L
LL Defl inch	0.150 (L/1723)	11'6 1/16"	0.539 (L/480)	0.279 (28%)	0.75(L+S)	L
TL Defl inch	0.566 (L/457)	11'	0.718 (L/360)	0.788 (79%)	D+0.75(L+S)	L

Design Notes

- Provide support to prevent lateral movement and rotation at the end bearings. Lateral support may also be required at the interior bearings by the building code.
- Fasten all plies using 3 rows of 10d Box nails (.128x3") at 12" o.c. Maximum end distance not to exceed 6". Nail from both sides.
- Refer to last page of calculations for fasteners required for specified loads.
- Concentrated load fastener specification is in addition to hanger fasteners if a hanger is present.
- Girders are designed to be supported on the bottom edge only.
- Top loads must be supported equally by all plies.
- Top must be laterally braced at a maximum of 7'7 11/16" o.c.
- Lateral slenderness ratio based on single ply width.

ID	Load Type	Location	Trib Width	Side	Dead 0.9	Live 1	Snow 1.15	Wind 1.6	Const. 1.25	Comments
1	Tie-In	0-0-0 to 22-0-0	1-0-0	Top	15 PSF	40 PSF	0 PSF	0 PSF	0 PSF	Floor
2	Part. Uniform	0-0-0 to 12-7-0		Top	120 PLF	0 PLF	0 PLF	0 PLF	0 PLF	Wall
3	Part. Uniform	0-0-0 to 12-7-0		Near Face	34 PLF	0 PLF	34 PLF	0 PLF	0 PLF	M1
4	Part. Uniform	0-0-0 to 12-7-0		Top	135 PLF	0 PLF	0 PLF	0 PLF	0 PLF	C1GE

Continued on page 2...

Notes

Calculated Structured Designs is responsible only of the structural adequacy of this component based on the design criteria and loadings shown. It is the responsibility of the customer and/or the contractor to ensure the component suitability of the intended application, and to verify the dimensions and loads.

Lumber

- Dry service conditions, unless noted otherwise
- LVL not to be treated with fire retardant or corrosive chemicals

Handling & Installation

- LVL beams must not be cut or drilled
- Refer to manufacturer's product information regarding installation requirements, multi-ply fastening details, beam strength values, and code approvals
- Damaged Beams must not be used
- Design assumes top edge is laterally restrained
- Provide lateral support at bearing points to avoid lateral displacement and rotation

6. For flat roofs provide proper drainage to prevent ponding

This design is valid until 6/28/2026

Manufacturer Info

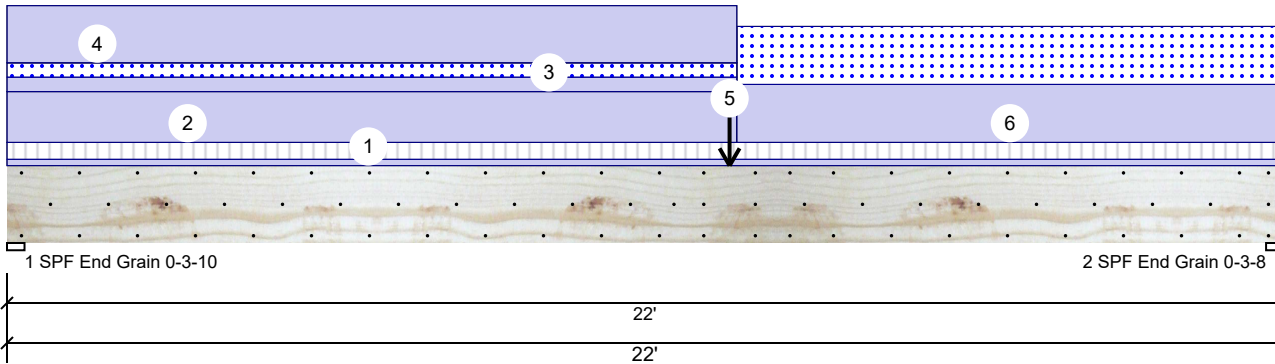
Metsä Wood
 301 Merritt 7 Building, 2nd Floor
 Norwalk, CT 06851
 (800) 622-5850
www.metsawood.com/us

Comtech, Inc.
 1001 S Reilly Rd., NC
 28314
 (910) 864-8787



BM1 Kerto-S LVL 1.750" X 16.000" 3-Ply - PASSED

Level: Level



...Continued from page 1

ID	Load Type	Location	Trib Width	Side	Dead 0.9	Live 1	Snow 1.15	Wind 1.6	Const. 1.25	Comments
5	Point	12-5-8		Near Face	354 lb	0 lb	354 lb	0 lb	0 lb	M2A
6	Part. Uniform Self Weight	12-7-0 to 22-0-0		Near Face	137 PLF 19 PLF	0 PLF	137 PLF	0 PLF	0 PLF	M2

Notes

Calculated Structured Designs is responsible only of the structural adequacy of this component based on the design criteria and loadings shown. It is the responsibility of the customer and/or the contractor to ensure the component suitability of the intended application, and to verify the dimensions and loads.

Lumber

1. Dry service conditions, unless noted otherwise
2. LVL not to be treated with fire retardant or corrosive chemicals

Handling & Installation

1. LVL beams must not be cut or drilled
2. Refer to manufacturer's product information regarding installation requirements, multi-ply fastening details, beam strength values, and code approvals
3. Damaged Beams must not be used
4. Design assumes top edge is laterally restrained
5. Provide lateral support at bearing points to avoid lateral displacement and rotation

6. For flat roofs provide proper drainage to prevent ponding

This design is valid until 6/28/2026

Manufacturer Info

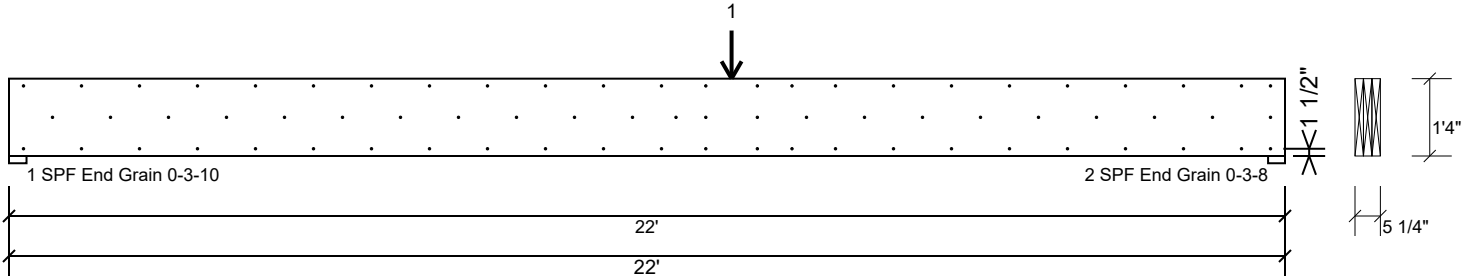
Metsä Wood
 301 Merritt 7 Building, 2nd Floor
 Norwalk, CT 06851
 (800) 622-5850
www.metsawood.com/us

Comtech, Inc.
 1001 S Reilly Rd., NC
 28314
 (910) 864-8787



BM1 Kerto-S LVL 1.750" X 16.000" 3-Ply - PASSED

Level: Level



Multi-Ply Analysis

Fasten all plies using 3 rows of 10d Box nails (.128x3") at 12" o.c.. except for regions covered by concentrated load fastening. Nail from both sides. Maximum end distance not to exceed 6".

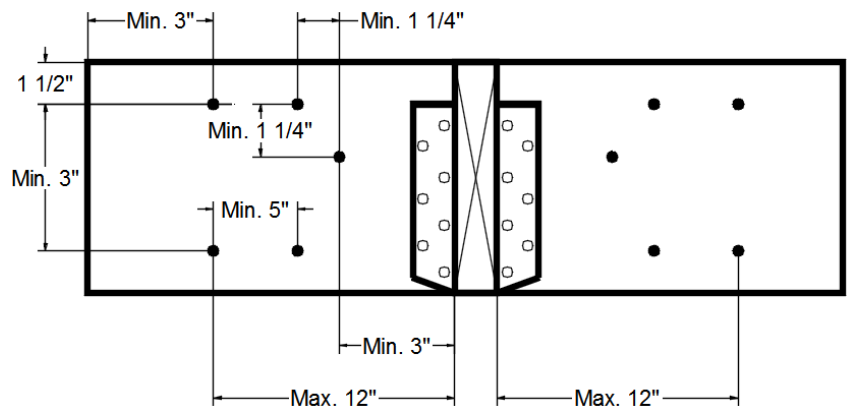
Capacity	64.7 %
Load	182.7 PLF
Yield Limit per Foot	282.4 PLF
Yield Limit per Fastener	94.1 lb.
C _m	1
Yield Mode	IV
Edge Distance	1 1/2"
Min. End Distance	3"
Load Combination	D+S
Duration Factor	1.15

Concentrated Load

Fasten at concentrated side load at 12-5-8 with a minimum of (6) – 10d Box nails (.128x3") in the pattern shown. Nail from both sides.

Capacity	83.6 %
Load	472.0lb.
Total Yield Limit	564.7 lb.
C _g	0.9998
C _m	1
Yield Limit per Fastener	94.1 lb.
Yield Mode	IV
Load Combination	D+S
Duration Factor	1.15

Min/Max fastener distances for Concentrated Side Loads



Notes
 Calculated Structured Designs is responsible only of the structural adequacy of this component based on the design criteria and loadings shown. It is the responsibility of the customer and/or the contractor to ensure the component suitability of the intended application, and to verify the dimensions and loads.

Lumber
 1. Dry service conditions, unless noted otherwise
 2. LVL not to be treated with fire retardant or corrosive

Handling & Installation
 1. LVL beams must not be cut or drilled
 2. Refer to manufacturer's product information regarding installation requirements, multi-ply fastening details, beam strength values, and code approvals
 3. Damaged Beams must not be used
 4. Design assumes top edge is laterally restrained
 5. Provide lateral support at bearing points to avoid lateral displacement and rotation

6. For flat roofs provide proper drainage to prevent ponding

This design is valid until 6/28/2026

Manufacturer Info

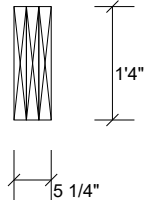
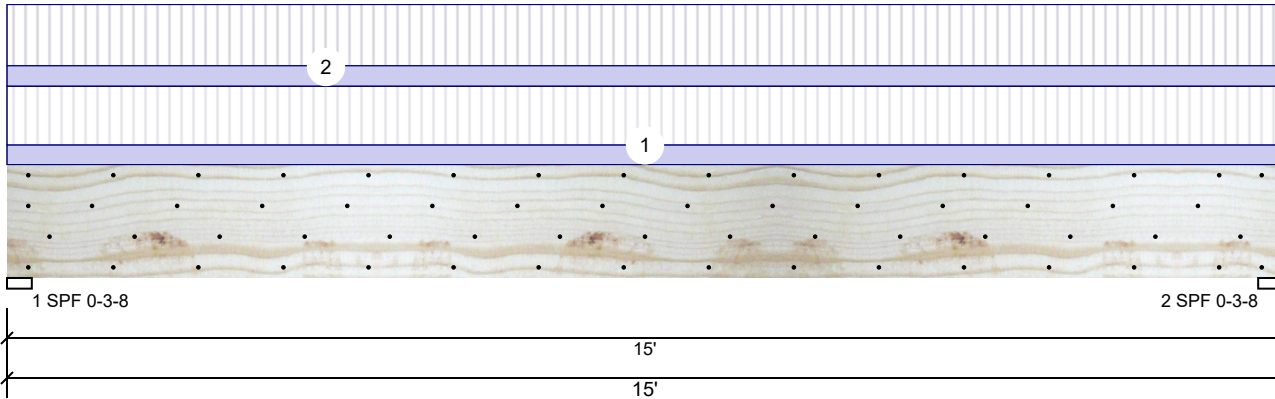
Metsä Wood
 301 Merritt 7 Building, 2nd Floor
 Norwalk, CT 06851
 (800) 622-5850
www.metsawood.com/us

Comtech, Inc.
 1001 S Reilly Rd., NC
 28314
 (910) 864-8787



BM2 Kerto-S LVL 1.750" X 16.000" 3-Ply - PASSED

Level: Level



Member Information

Type:	Girder
Plies:	3
Moisture Condition:	Dry
Deflection LL:	480
Deflection TL:	360
Importance:	Normal - II
Temperature:	Temp <= 100°F

Application:	Floor
Design Method:	ASD
Building Code:	IBC/IRC 2015
Load Sharing:	Yes
Deck:	Not Checked
Ceiling:	Gypsum 1/2"

Reactions UNPATTERNED lb (Uplift)

Brg	Direction	Live	Dead	Snow	Wind	Const
1	Vertical	5415	1948	0	0	0
2	Vertical	5415	1948	0	0	0

Bearings

Bearing	Length	Dir.	Cap.	React D/L lb	Total	Ld. Case	Ld. Comb.
1 - SPF	3.500"	Vert	94%	1948 / 5415	7363	L	D+L
2 - SPF	3.500"	Vert	94%	1948 / 5415	7363	L	D+L

Analysis Results

Analysis	Actual	Location	Allowed	Capacity	Comb.	Case
Moment	26022 ft-lb	7'6"	53922 ft-lb	0.483 (48%)	D+L	L
Unbraced	26022 ft-lb	7'6"	26049 ft-lb	0.999 (100%)	D+L	L
Shear	7076 lb	1'7 1/2"	17920 lb	0.395 (39%)	D+L	L
LL Defl inch	0.230 (L/759)	7'6 1/16"	0.364 (L/480)	0.632 (63%)	L	L
TL Defl inch	0.313 (L/559)	7'6 1/16"	0.485 (L/360)	0.644 (64%)	D+L	L

Design Notes

- Provide support to prevent lateral movement and rotation at the end bearings. Lateral support may also be required at the interior bearings by the building code.
- Fasten all plies using 4 rows of 10d Box nails (.128x3") at 12" o.c. Maximum end distance not to exceed 6". Nail from both sides.
- Refer to last page of calculations for fasteners required for specified loads.
- Girders are designed to be supported on the bottom edge only.
- Top must be laterally braced at a maximum of 6'8 7/8" o.c.
- Lateral slenderness ratio based on single ply width.

ID	Load Type	Location	Trib Width	Side	Dead 0.9	Live 1	Snow 1.15	Wind 1.6	Const. 1.25	Comments
1	Uniform			Far Face	118 PLF	354 PLF	0 PLF	0 PLF	0 PLF	F1
2	Uniform			Near Face	123 PLF	368 PLF	0 PLF	0 PLF	0 PLF	F2
	Self Weight				19 PLF					

Notes

Calculated Structured Designs is responsible only of the structural adequacy of this component based on the design criteria and loadings shown. It is the responsibility of the customer and/or the contractor to ensure the component suitability of the intended application, and to verify the dimensions and loads.

Lumber

- Dry service conditions, unless noted otherwise
- LVL not to be treated with fire retardant or corrosive chemicals

Handling & Installation

- LVL beams must not be cut or drilled
- Refer to manufacturer's product information regarding installation requirements, multi-ply fastening details, beam strength values, and code approvals
- Damaged Beams must not be used
- Design assumes top edge is laterally restrained
- Provide lateral support at bearing points to avoid lateral displacement and rotation

6. For flat roofs provide proper drainage to prevent ponding

This design is valid until 6/28/2026

Manufacturer Info

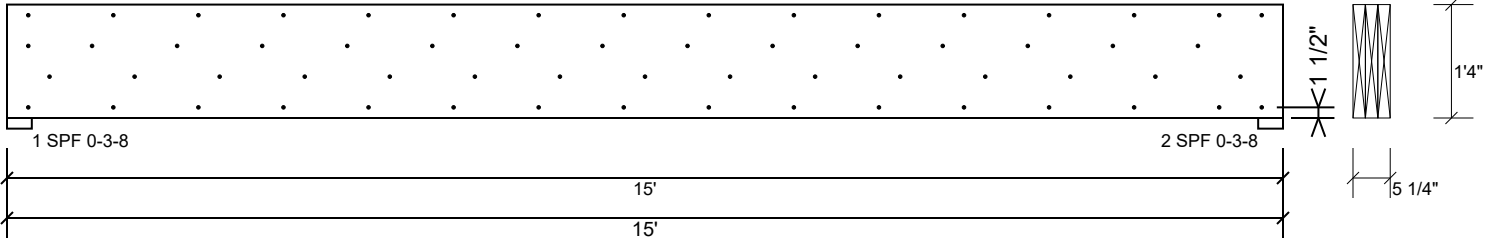
Metsä Wood
 301 Merritt 7 Building, 2nd Floor
 Norwalk, CT 06851
 (800) 622-5850
www.metsawood.com/us

Comtech, Inc.
 1001 S Reilly Rd., NC
 28314
 (910) 864-8787



BM2 Kerto-S LVL 1.750" X 16.000" 3-Ply - PASSED

Level: Level



Multi-Ply Analysis

Fasten all plies using 4 rows of 10d Box nails (.128x3") at 12" o.c.. Nail from both sides. Maximum end distance not to exceed 6".

Capacity	100.0 %
Load	327.3 PLF
Yield Limit per Foot	327.4 PLF
Yield Limit per Fastener	81.9 lb.
C _m	1
Yield Mode	IV
Edge Distance	1 1/2"
Min. End Distance	3"
Load Combination	D+L
Duration Factor	1.00

Notes

Calculated Structured Designs is responsible only of the structural adequacy of this component based on the design criteria and loadings shown. It is the responsibility of the customer and/or the contractor to ensure the component suitability of the intended application, and to verify the dimensions and loads.

Lumber

1. Dry service conditions, unless noted otherwise
2. LVL not to be treated with fire retardant or corrosive chemicals

Handling & Installation

1. LVL beams must not be cut or drilled
2. Refer to manufacturer's product information regarding installation requirements, multi-ply fastening details, beam strength values, and code approvals
3. Damaged Beams must not be used
4. Design assumes top edge is laterally restrained
5. Provide lateral support at bearing points to avoid lateral displacement and rotation

6. For flat roofs provide proper drainage to prevent ponding

This design is valid until 6/28/2026

Manufacturer Info

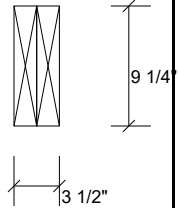
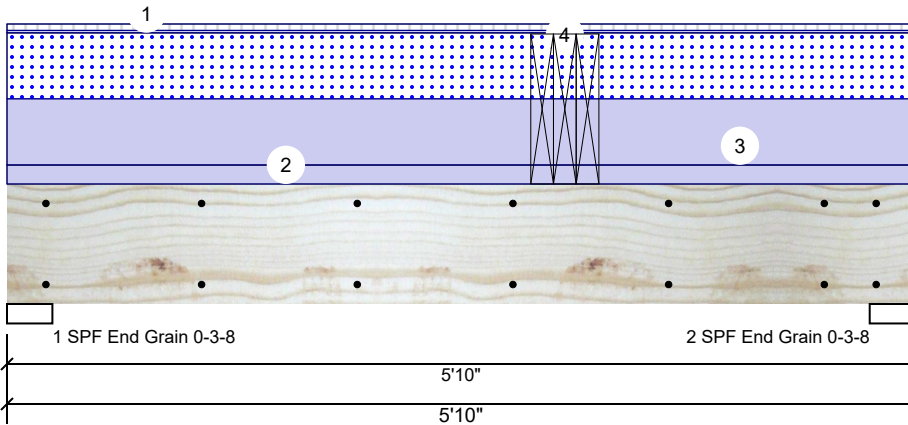
Metsä Wood
 301 Merritt 7 Building, 2nd Floor
 Norwalk, CT 06851
 (800) 622-5850
www.metsawood.com/us

Comtech, Inc.
 1001 S Reilly Rd., NC
 28314
 (910) 864-8787



BM3 Kerto-S LVL 1.750" X 9.250" 2-Ply - PASSED

Level: Level



Member Information

Type:	Girder
Plies:	2
Moisture Condition:	Dry
Deflection LL:	480
Deflection TL:	360
Importance:	Normal - II
Temperature:	Temp <= 100°F

Application:	Floor
Design Method:	ASD
Building Code:	IBC/IRC 2015
Load Sharing:	No
Deck:	Not Checked
Ceiling:	Gypsum 1/2"

Reactions UNPATTERNED lb (Uplift)

Brg	Direction	Live	Dead	Snow	Wind	Const
1	Vertical	2153	2357	1210	0	0
2	Vertical	3496	2840	1210	0	0

Bearings

Bearing	Length	Dir.	Cap.	React D/L lb	Total	Ld. Case	Ld. Comb.
1 - SPF End Grain	3.500"	Vert	47%	2357 / 2522	4880	L	D+0.75(L+S)
2 - SPF End Grain	3.500"	Vert	62%	2840 / 3530	6370	L	D+0.75(L+S)

Analysis Results

Analysis	Actual	Location	Allowed	Capacity	Comb.	Case
Moment	11308 ft-lb	3'7"	12542 ft-lb	0.902 (90%)	D+L	L
Unbraced	11308 ft-lb	3'7"	11320 ft-lb	0.999 (100%)	D+L	L
Shear	5707 lb	4'9 1/4"	6907 lb	0.826 (83%)	D+L	L
LL Defl inch	0.084 (L/764)	3'4 7/8"	0.134 (L/480)	0.628 (63%)	L	L
TL Defl inch	0.143 (L/451)	3'3 5/8"	0.179 (L/360)	0.798 (80%)	D+L	L

Design Notes

- Provide support to prevent lateral movement and rotation at the end bearings. Lateral support may also be required at the interior bearings by the building code.
- Fasten all plies using 2 rows of 10d Box nails (.128x3") at 12" o.c. Maximum end distance not to exceed 6".
- Refer to last page of calculations for fasteners required for specified loads.
- Girders are designed to be supported on the bottom edge only.
- Top loads must be supported equally by all plies.
- Top must be laterally braced at a maximum of 4'3 1/8" o.c.
- Lateral slenderness ratio based on single ply width.

ID	Load Type	Location	Trib Width	Side	Dead 0.9	Live 1	Snow 1.15	Wind 1.6	Const. 1.25	Comments
1	Tie-In	0-0-0 to 5-10-0	1-0-0	Top	15 PSF	40 PSF	0 PSF	0 PSF	0 PSF	Floor
2	Uniform			Top	120 PLF	0 PLF	0 PLF	0 PLF	0 PLF	Wall
3	Uniform			Top	415 PLF	0 PLF	415 PLF	0 PLF	0 PLF	A3
4	Point	3-7-0		Top	1948 lb	5415 lb	0 lb	0 lb	0 lb	BM2 Brg 2
	Bearing Length	0-5-4								
	Self Weight				7 PLF					

Notes

Calculated Structural Designs is responsible only of the structural adequacy of this component based on the design criteria and loadings shown. It is the responsibility of the customer and/or the contractor to ensure the component suitability of the intended application, and to verify the dimensions and loads.

Lumber

- Dry service conditions, unless noted otherwise
- LVL not to be treated with fire retardant or corrosive chemicals

Handling & Installation

- LVL beams must not be cut or drilled
- Refer to manufacturer's product information regarding installation requirements, multi-ply fastening details, beam strength values, and code approvals
- Damaged Beams must not be used
- Design assumes top edge is laterally restrained
- Provide lateral support at bearing points to avoid lateral displacement and rotation

6. For flat roofs provide proper drainage to prevent ponding

This design is valid until 6/28/2026

Manufacturer Info

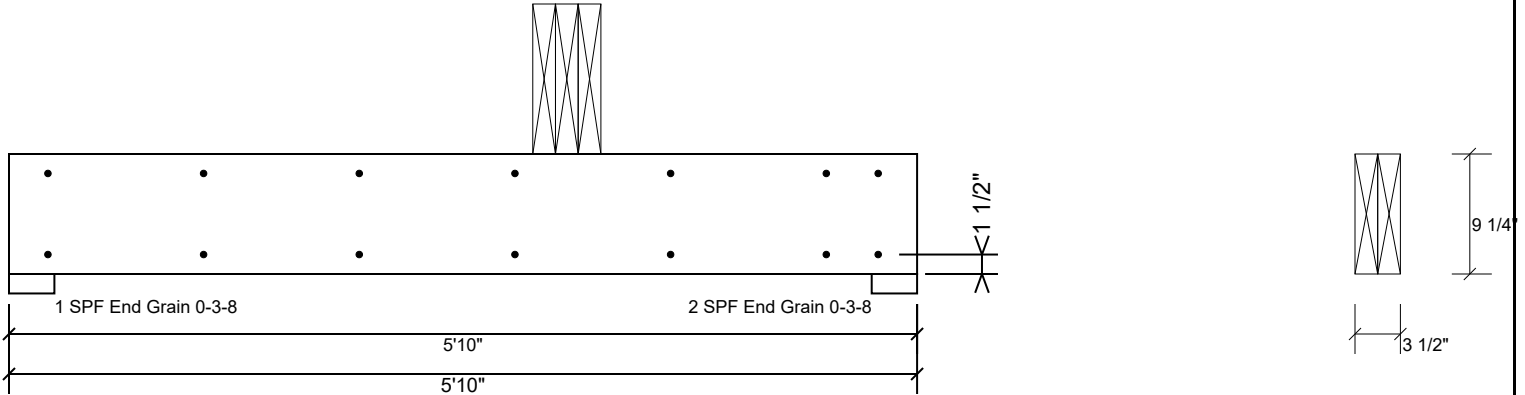
Metsä Wood
 301 Merritt 7 Building, 2nd Floor
 Norwalk, CT 06851
 (800) 622-5850
www.metsawood.com/us

Comtech, Inc.
 1001 S Reilly Rd., NC
 28314
 (910) 864-8787



BM3 Kerto-S LVL 1.750" X 9.250" 2-Ply - PASSED

Level: Level



Multi-Ply Analysis

Fasten all plies using 2 rows of 10d Box nails (.128x3") at 12" o.c.. Maximum end distance not to exceed 6".

Capacity	0.0 %
Load	0.0 PLF
Yield Limit per Foot	163.7 PLF
Yield Limit per Fastener	81.9 lb.
C _m	1
Yield Mode	IV
Edge Distance	1 1/2"
Min. End Distance	3"
Load Combination	
Duration Factor	1.00

Notes

Calculated Structured Designs is responsible only of the structural adequacy of this component based on the design criteria and loadings shown. It is the responsibility of the customer and/or the contractor to ensure the component suitability of the intended application, and to verify the dimensions and loads.

Lumber

1. Dry service conditions, unless noted otherwise
2. LVL not to be treated with fire retardant or corrosive chemicals

Handling & Installation

1. LVL beams must not be cut or drilled
2. Refer to manufacturer's product information regarding installation requirements, multi-ply fastening details, beam strength values, and code approvals
3. Damaged Beams must not be used
4. Design assumes top edge is laterally restrained
5. Provide lateral support at bearing points to avoid lateral displacement and rotation

6. For flat roofs provide proper drainage to prevent ponding

This design is valid until 6/28/2026

Manufacturer Info

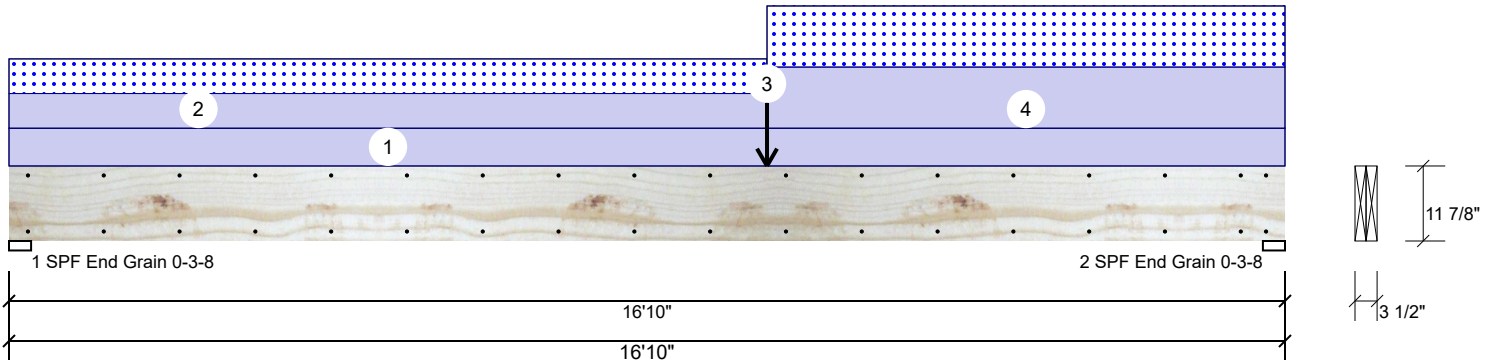
Metsä Wood
 301 Merritt 7 Building, 2nd Floor
 Norwalk, CT 06851
 (800) 622-5850
www.metsawood.com/us

Comtech, Inc.
 1001 S Reilly Rd., NC
 28314
 (910) 864-8787



GDH Kerto-S LVL 1.750" X 11.875" 2-Ply - PASSED

Level: Level



Member Information

Type:	Girder	Application:	Floor
Plies:	2	Design Method:	ASD
Moisture Condition:	Dry	Building Code:	IBC/IRC 2015
Deflection LL:	480	Load Sharing:	No
Deflection TL:	360	Deck:	Not Checked
Importance:	Normal - II	Ceiling:	Gypsum 1/2"
Temperature:	Temp <= 100°F		

Reactions UNPATTERNED lb (Uplift)

Brg	Direction	Live	Dead	Snow	Wind	Const
1	Vertical	0	1190	608	0	0
2	Vertical	0	1408	825	0	0

Bearings

Bearing	Length	Dir.	Cap.	React D/L lb	Total	Ld. Case	Ld. Comb.
1 - SPF End Grain	3.500"	Vert	17%	1190 / 608	1798	L	D+S
2 - SPF End Grain	3.500"	Vert	22%	1408 / 825	2233	L	D+S

Analysis Results

Analysis	Actual	Location	Allowed	Capacity	Comb.	Case
Moment	8610 ft-lb	10'	22897 ft-lb	0.376 (38%)	D+S	L
Unbraced	8610 ft-lb	10'	8626 ft-lb	0.998 (100%)	D+S	L
Shear	1905 lb	15'6 5/8"	10197 lb	0.187 (19%)	D+S	L
LL Defl inch	0.158 (L/1246)	8'8 13/16"	0.409 (L/480)	0.385 (39%)	S	L
TL Defl inch	0.436 (L/450)	8'7 3/4"	0.546 (L/360)	0.799 (80%)	D+S	L

Design Notes

- Provide support to prevent lateral movement and rotation at the end bearings. Lateral support may also be required at the interior bearings by the building code.
- Fasten all plies using 2 rows of 10d Box nails (.128x3") at 12" o.c. Maximum end distance not to exceed 6".
- Refer to last page of calculations for fasteners required for specified loads.
- Girders are designed to be supported on the bottom edge only.
- Top loads must be supported equally by all plies.
- Top must be laterally braced at a maximum of 11' 13/16" o.c.
- Lateral slenderness ratio based on single ply width.

ID	Load Type	Location	Trib Width	Side	Dead 0.9	Live 1	Snow 1.15	Wind 1.6	Const. 1.25	Comments
1	Uniform			Top	60 PLF	0 PLF	0 PLF	0 PLF	0 PLF	Wall
2	Part. Uniform	0-0-0 to 10-0-0		Top	55 PLF	0 PLF	55 PLF	0 PLF	0 PLF	M1
3	Point	10-0-0		Top	220 lb	0 lb	220 lb	0 lb	0 lb	M2A
	Bearing Length	0-3-8								
4	Part. Uniform	10-0-0 to 16-10-0		Top	97 PLF	0 PLF	97 PLF	0 PLF	0 PLF	M2
	Self Weight				9 PLF					

Notes

Calculated Structural Designs is responsible only of the structural adequacy of this component based on the design criteria and loadings shown. It is the responsibility of the customer and/or the contractor to ensure the component suitability of the intended application, and to verify the dimensions and loads.

Lumber

- Dry service conditions, unless noted otherwise
- LVL not to be treated with fire retardant or corrosive chemicals

Handling & Installation

- LVL beams must not be cut or drilled
- Refer to manufacturer's product information regarding installation requirements, multi-ply fastening details, beam strength values, and code approvals
- Damaged Beams must not be used
- Design assumes top edge is laterally restrained
- Provide lateral support at bearing points to avoid lateral displacement and rotation

6. For flat roofs provide proper drainage to prevent ponding

This design is valid until 6/28/2026

Manufacturer Info

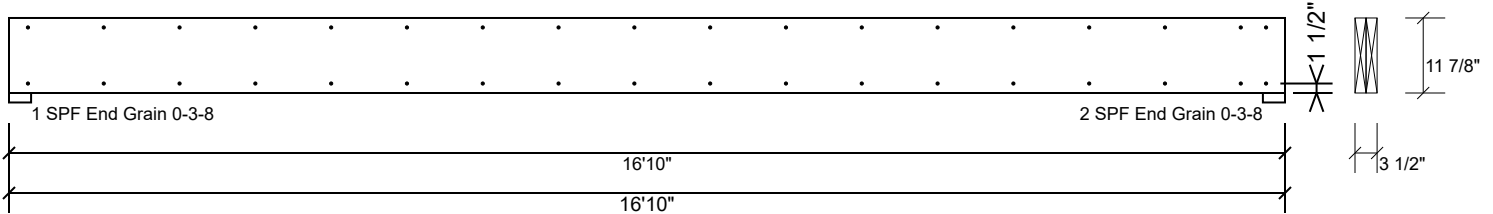
Metsä Wood
 301 Merritt 7 Building, 2nd Floor
 Norwalk, CT 06851
 (800) 622-5850
www.metsawood.com/us

Comtech, Inc.
 1001 S Reilly Rd., NC
 28314
 (910) 864-8787



GDH Kerto-S LVL 1.750" X 11.875" 2-Ply - PASSED

Level: Level



Multi-Ply Analysis

Fasten all plies using 2 rows of 10d Box nails (.128x3") at 12" o.c.. Maximum end distance not to exceed 6".

Capacity	0.0 %
Load	0.0 PLF
Yield Limit per Foot	163.7 PLF
Yield Limit per Fastener	81.9 lb.
C _m	1
Yield Mode	IV
Edge Distance	1 1/2"
Min. End Distance	3"
Load Combination	
Duration Factor	1.00

Notes

Calculated Structured Designs is responsible only of the structural adequacy of this component based on the design criteria and loadings shown. It is the responsibility of the customer and/or the contractor to ensure the component suitability of the intended application, and to verify the dimensions and loads.

Lumber

1. Dry service conditions, unless noted otherwise
2. LVL not to be treated with fire retardant or corrosive chemicals

Handling & Installation

1. LVL beams must not be cut or drilled
2. Refer to manufacturer's product information regarding installation requirements, multi-ply fastening details, beam strength values, and code approvals
3. Damaged Beams must not be used
4. Design assumes top edge is laterally restrained
5. Provide lateral support at bearing points to avoid lateral displacement and rotation

6. For flat roofs provide proper drainage to prevent ponding

This design is valid until 6/28/2026

Manufacturer Info

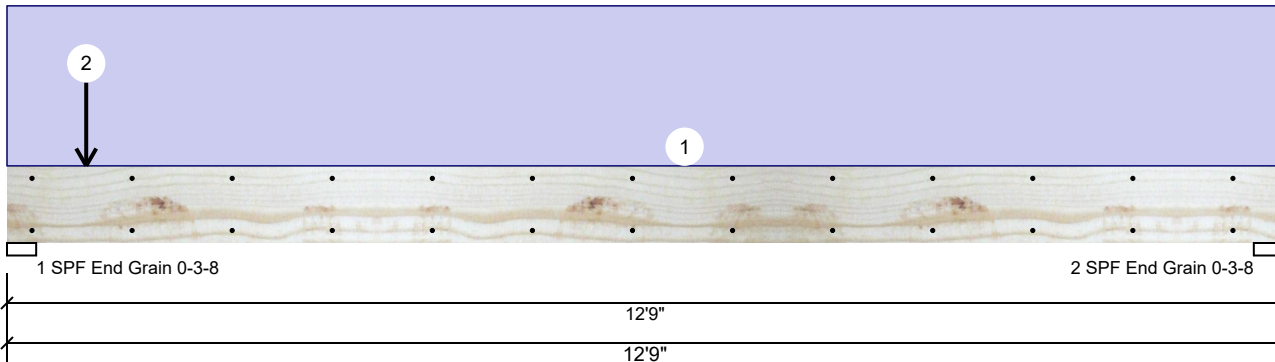
Metsä Wood
 301 Merritt 7 Building, 2nd Floor
 Norwalk, CT 06851
 (800) 622-5850
www.metsawood.com/us

Comtech, Inc.
 1001 S Reilly Rd., NC
 28314
 (910) 864-8787



BM4 Kerto-S LVL 1.750" X 9.250" 2-Ply - PASSED

Level: Level



Member Information

Type:	Girder	Application:	Floor
Plies:	2	Design Method:	ASD
Moisture Condition:	Dry	Building Code:	IBC/IRC 2015
Deflection LL:	480	Load Sharing:	No
Deflection TL:	360	Deck:	Not Checked
Importance:	Normal - II	Ceiling:	Gypsum 1/2"
Temperature:	Temp <= 100°F		

Reactions UNPATTERNED lb (Uplift)

Brg	Direction	Live	Dead	Snow	Wind	Const
1	Vertical	0	4628	3817	0	0
2	Vertical	0	994	183	0	0

Bearings

Bearing	Length	Dir.	Cap.	React D/L lb	Total	Ld. Case	Ld. Comb.
1 - SPF End Grain	3.500"	Vert	82%	4628 / 3817	8445	L	D+S
2 - SPF End Grain	3.500"	Vert	11%	994 / 183	1177	L	D+S

Analysis Results

Analysis	Actual	Location	Allowed	Capacity	Comb.	Case
Moment	5179 ft-lb	3'5 15/16"	14423 ft-lb	0.359 (36%)	D+S	L
Unbraced	5179 ft-lb	3'5 15/16"	6196 ft-lb	0.836 (84%)	D+S	L
Shear	5504 lb	1' 3/4"	7943 lb	0.693 (69%)	D+S	L
LL Defl inch	0.086 (L/1715)	5'3 5/8"	0.307 (L/480)	0.280 (28%)	S	L
TL Defl inch	0.319 (L/462)	5'10"	0.410 (L/360)	0.779 (78%)	D+S	L

Design Notes

- 1 Provide support to prevent lateral movement and rotation at the end bearings. Lateral support may also be required at the interior bearings by the building code.
- 2 Fasten all plies using 2 rows of 10d Box nails (.128x3") at 12" o.c. Maximum end distance not to exceed 6".
- 3 Refer to last page of calculations for fasteners required for specified loads.
- 4 Girders are designed to be supported on the bottom edge only.
- 5 Top loads must be supported equally by all plies.
- 6 Top must be laterally braced at end bearings.
- 7 Lateral slenderness ratio based on single ply width.

ID	Load Type	Location	Trib Width	Side	Dead 0.9	Live 1	Snow 1.15	Wind 1.6	Const. 1.25	Comments
1	Uniform			Top	120 PLF	0 PLF	0 PLF	0 PLF	0 PLF	Wall
2	Point	0-9-8		Top	4000 lb	0 lb	4000 lb	0 lb	0 lb	C1-GR
	Bearing Length	0-3-8								
	Self Weight				7 PLF					

Notes

Calculated Structural Designs is responsible only of the structural adequacy of this component based on the design criteria and loadings shown. It is the responsibility of the customer and/or the contractor to ensure the component suitability of the intended application, and to verify the dimensions and loads.

Lumber

1. Dry service conditions, unless noted otherwise
2. LVL not to be treated with fire retardant or corrosive chemicals

chemicals

Handling & Installation

1. LVL beams must not be cut or drilled
2. Refer to manufacturer's product information regarding installation requirements, multi-ply fastening details, beam strength values, and code approvals
3. Damaged Beams must not be used
4. Design assumes top edge is laterally restrained
5. Provide lateral support at bearing points to avoid lateral displacement and rotation

6. For flat roofs provide proper drainage to prevent ponding

This design is valid until 6/28/2026

Manufacturer Info

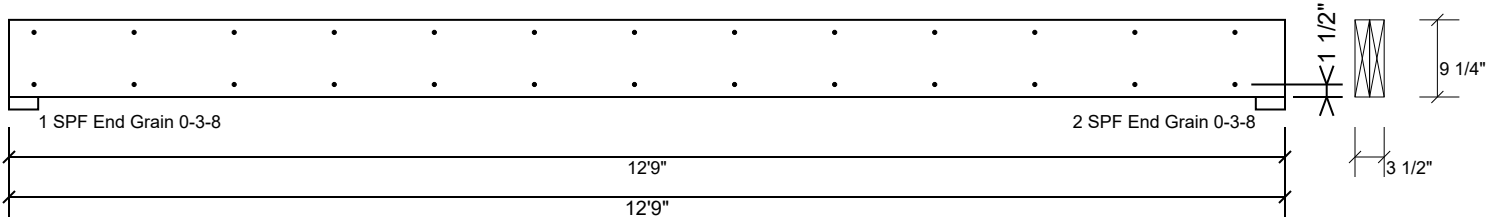
Metsä Wood
 301 Merritt 7 Building, 2nd Floor
 Norwalk, CT 06851
 (800) 622-5850
www.metsawood.com/us

Comtech, Inc.
 1001 S Reilly Rd., NC
 28314
 (910) 864-8787



BM4 Kerto-S LVL 1.750" X 9.250" 2-Ply - PASSED

Level: Level



Multi-Ply Analysis

Fasten all plies using 2 rows of 10d Box nails (.128x3") at 12" o.c.. Maximum end distance not to exceed 6".

Capacity	0.0 %
Load	0.0 PLF
Yield Limit per Foot	163.7 PLF
Yield Limit per Fastener	81.9 lb.
C _m	1
Yield Mode	IV
Edge Distance	1 1/2"
Min. End Distance	3"
Load Combination	
Duration Factor	1.00

Notes

Calculated Structured Designs is responsible only of the structural adequacy of this component based on the design criteria and loadings shown. It is the responsibility of the customer and/or the contractor to ensure the component suitability of the intended application, and to verify the dimensions and loads.

Lumber

1. Dry service conditions, unless noted otherwise
2. LVL not to be treated with fire retardant or corrosive chemicals

Handling & Installation

1. LVL beams must not be cut or drilled
2. Refer to manufacturer's product information regarding installation requirements, multi-ply fastening details, beam strength values, and code approvals
3. Damaged Beams must not be used
4. Design assumes top edge is laterally restrained
5. Provide lateral support at bearing points to avoid lateral displacement and rotation

6. For flat roofs provide proper drainage to prevent ponding

This design is valid until 6/28/2026

Manufacturer Info

Metsä Wood
 301 Merritt 7 Building, 2nd Floor
 Norwalk, CT 06851
 (800) 622-5850
www.metsawood.com/us

Comtech, Inc.
 1001 S Reilly Rd., NC
 28314
 (910) 864-8787



RE: J1224-6810
 Lot 16 West Preserve

Trenco
 818 Soundside Rd
 Edenton, NC 27932

Site Information:

Customer: Project Name: J1224-6810
 Lot/Block: Model:
 Address: Subdivision:
 City: State:

General Truss Engineering Criteria & Design Loads (Individual Truss Design Drawings Show Special Loading Conditions):

Design Code: IRC2015/TPI2014 Design Program: MiTek 20/20 8.6
 Wind Code: N/A Wind Speed: N/A mph
 Roof Load: N/A psf Floor Load: 55.0 psf

This package includes 15 individual, dated Truss Design Drawings and 0 Additional Drawings.

No.	Seal#	Truss Name	Date
1	I69436122	ET1	11/7/2024
2	I69436123	ET2	11/7/2024
3	I69436124	ET3	11/7/2024
4	I69436125	ET4	11/7/2024
5	I69436126	ET5	11/7/2024
6	I69436127	F1	11/7/2024
7	I69436128	F1A	11/7/2024
8	I69436129	F2	11/7/2024
9	I69436130	F2A	11/7/2024
10	I69436131	F3	11/7/2024
11	I69436132	F4	11/7/2024
12	I69436133	F5	11/7/2024
13	I69436134	F6	11/7/2024
14	I69436135	FG1	11/7/2024
15	I69436136	FG2	11/7/2024

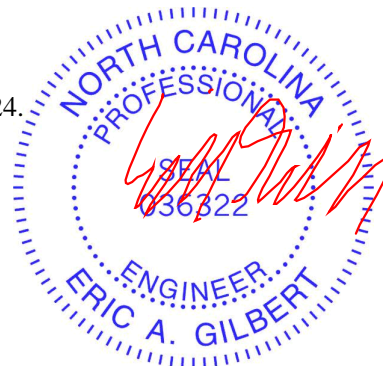
The truss drawing(s) referenced above have been prepared by Truss Engineering Co. under my direct supervision based on the parameters provided by Comtech, Inc - Fayetteville.

Truss Design Engineer's Name: Gilbert, Eric

My license renewal date for the state of North Carolina is December 31, 2024.

North Carolina COA: C-0844

IMPORTANT NOTE: The seal on these truss component designs is a certification that the engineer named is licensed in the jurisdiction(s) identified and that the designs comply with ANSI/TPI 1. These designs are based upon parameters shown (e.g., loads, supports, dimensions, shapes and design codes), which were given to TRENCO. Any project specific information included is for TRENCO customers file reference purpose only, and was not taken into account in the preparation of these designs. TRENCO has not independently verified the applicability of the design parameters or the designs for any particular building. Before use, the building designer should verify applicability of design parameters and properly incorporate these designs into the overall building design per ANSI/TPI 1, Chapter 2.



November 07, 2024

Job J1224-6810	Truss ET1	Truss Type GABLE	Qty 1	Ply 1	Lot 16 West Preserve Job Reference (optional) I69436122
-------------------	--------------	---------------------	----------	----------	---

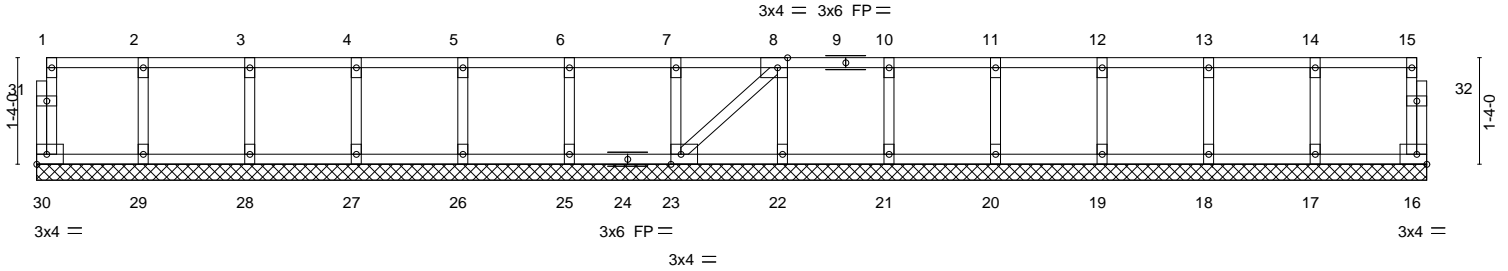
Comtech, Inc. Fayetteville, NC - 28314,

8.630 s Sep 26 2024 MiTek Industries, Inc. Wed Nov 6 14:43:21 2024 Page 1
ID:I4HRAT3elT9qoRldAoEs_5z0Axy-RfC?PsB70Hq3NSgPqnL8w3uITXbGKWrCDoi7J4zJC?f

0-1-8

0-1-8

Scale = 1:28.8



1-4-0	2-8-0	4-0-0	5-4-0	6-8-0	8-0-0	9-4-0	10-8-0	12-0-0	13-4-0	14-8-0	16-0-0	17-4-12
1-4-0	1-4-0	1-4-0	1-4-0	1-4-0	1-4-0	1-4-0	1-4-0	1-4-0	1-4-0	1-4-0	1-4-0	1-4-12
Plate Offsets (X, Y)--		[8:0-1-8,Edge], [23:0-1-8,Edge]										

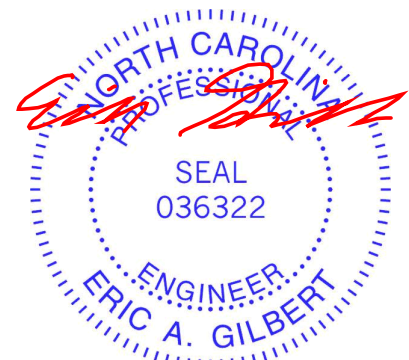
LOADING (psf)	SPACING-	2-0-0	CSI.	DEFL.	in (loc)	l/defl	L/d	PLATES	GRIP
TCLL 40.0	Plate Grip DOL	1.00	TC 0.06	Vert(LL)	n/a	-	n/a	MT20	244/190
TCDL 10.0	Lumber DOL	1.00	BC 0.01	Vert(CT)	n/a	-	n/a		
BCLL 0.0	Rep Stress Incr	YES	WB 0.03	Horz(CT)	0.00	16	n/a		
BCDL 5.0	Code IRC2015/TPI2014		Matrix-S						
								Weight: 79 lb	FT = 20%F, 11%E

LUMBER-	BRACING-
TOP CHORD 2x4 SP No.1(flat)	TOP CHORD Structural wood sheathing directly applied or 6-0-0 oc purlins, except end verticals.
BOT CHORD 2x4 SP No.1(flat)	BOT CHORD Rigid ceiling directly applied or 10-0-0 oc bracing.
WEBS 2x4 SP No.3(flat)	
OTHERS 2x4 SP No.3(flat)	


REACTIONS. All bearings 17-4-12.
(lb) - Max Grav All reactions 250 lb or less at joint(s) 30, 16, 29, 28, 27, 26, 25, 23, 22, 21, 20, 19, 18, 17

FORCES. (lb) - Max. Comp./Max. Ten. - All forces 250 (lb) or less except when shown.

- NOTES-**
- All plates are 1.5x3 MT20 unless otherwise indicated.
 - Plates checked for a plus or minus 1 degree rotation about its center.
 - Gable requires continuous bottom chord bearing.
 - Truss to be fully sheathed from one face or securely braced against lateral movement (i.e. diagonal web).
 - Gable studs spaced at 1-4-0 oc.
 - Recommend 2x6 strongbacks, on edge, spaced at 10-0-0 oc and fastened to each truss with 3-10d (0.131" X 3") nails. Strongbacks to be attached to walls at their outer ends or restrained by other means.



November 7, 2024

<p>WARNING - Verify design parameters and READ NOTES ON THIS AND INCLUDED MITEK REFERENCE PAGE MII-7473 rev. 1/2/2023 BEFORE USE.</p> <p>Design valid for use only with MiTek® connectors. This design is based only upon parameters shown, and is for an individual building component, not a truss system. Before use, the building designer must verify the applicability of design parameters and properly incorporate this design into the overall building design. Bracing indicated is to prevent buckling of individual truss web and/or chord members only. Additional temporary and permanent bracing is always required for stability and to prevent collapse with possible personal injury and property damage. For general guidance regarding the fabrication, storage, delivery, erection and bracing of trusses and truss systems, see ANSI/TP1 Quality Criteria and DSB-22 available from Truss Plate Institute (www.tpinst.org) and BCSI Building Component Safety Information available from the Structural Building Component Association (www.sbcacomponents.com)</p>	<p>ENGINEERING BY</p>  <p>A MiTek Affiliate</p> <p>818 Soundside Road Edenton, NC 27932</p>
--	--

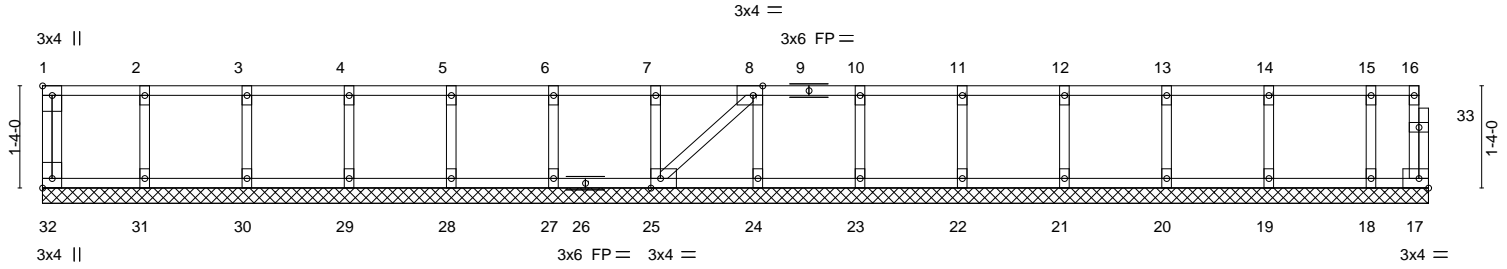
Job J1224-6810	Truss ET2	Truss Type GABLE	Qty 1	Ply 1	Lot 16 West Preserve Job Reference (optional)	169436123
-------------------	--------------	---------------------	----------	----------	--	-----------

Comtech, Inc. Fayetteville, NC - 28314,

8.630 s Sep 26 2024 MiTek Industries, Inc. Wed Nov 6 14:43:22 2024 Page 1
ID:I4HRAT3elT9qoRldAoEs_5z0Axy-RfC?PsB70Hq3NSgPqnL8w3uITXbGKWrCDoi7J4zJC?f

0-1/8

Scale = 1:30.1



1-4-0	2-8-0	4-0-0	5-4-0	6-8-0	8-0-0	9-4-0	10-8-0	12-0-0	13-4-0	14-8-0	16-0-0	17-4-0	18-1-0
1-4-0	1-4-0	1-4-0	1-4-0	1-4-0	1-4-0	1-4-0	1-4-0	1-4-0	1-4-0	1-4-0	1-4-0	1-4-0	0-9-0
Plate Offsets (X,Y)-- [1:Edge,0-1-8], [8:0-1-8,Edge], [25:0-1-8,Edge], [32:Edge,0-1-8]													

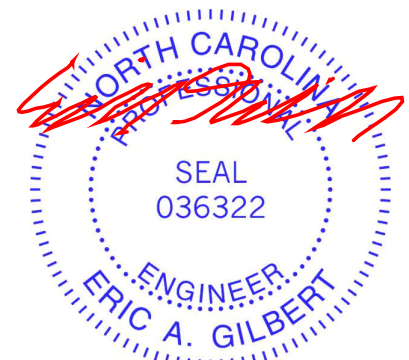
LOADING (psf)	SPACING-	2-0-0	CSI.	DEFL.	in (loc)	l/defl	L/d	PLATES	GRIP
TCLL 40.0	Plate Grip DOL	1.00	TC 0.06	Vert(LL)	n/a	-	n/a	MT20	244/190
TCDL 10.0	Lumber DOL	1.00	BC 0.01	Vert(CT)	n/a	-	n/a		
BCLL 0.0	Rep Stress Incr	YES	WB 0.03	Horz(CT)	0.00	17	n/a		
BCDL 5.0	Code IRC2015/TPI2014		Matrix-S						
								Weight: 83 lb	FT = 20%F, 11%E

LUMBER-	BRACING-
TOP CHORD 2x4 SP No.1(flat)	TOP CHORD Structural wood sheathing directly applied or 6-0-0 oc purlins, except end verticals.
BOT CHORD 2x4 SP No.1(flat)	BOT CHORD Rigid ceiling directly applied or 10-0-0 oc bracing.
WEBS 2x4 SP No.3(flat)	
OTHERS 2x4 SP No.3(flat)	


REACTIONS. All bearings 18-1-0.
(lb) - Max Grav All reactions 250 lb or less at joint(s) 32, 17, 31, 30, 29, 28, 27, 25, 24, 23, 22, 21, 20, 19, 18

FORCES. (lb) - Max. Comp./Max. Ten. - All forces 250 (lb) or less except when shown.

- NOTES-**
- All plates are 1.5x3 MT20 unless otherwise indicated.
 - Plates checked for a plus or minus 1 degree rotation about its center.
 - Gable requires continuous bottom chord bearing.
 - Truss to be fully sheathed from one face or securely braced against lateral movement (i.e. diagonal web).
 - Gable studs spaced at 1-4-0 oc.
 - Recommend 2x6 strongbacks, on edge, spaced at 10-0-0 oc and fastened to each truss with 3-10d (0.131" X 3") nails. Strongbacks to be attached to walls at their outer ends or restrained by other means.
 - CAUTION, Do not erect truss backwards.



November 7, 2024

<p>WARNING - Verify design parameters and READ NOTES ON THIS AND INCLUDED MITEK REFERENCE PAGE MII-7473 rev. 1/2/2023 BEFORE USE.</p> <p>Design valid for use only with MiTek® connectors. This design is based only upon parameters shown, and is for an individual building component, not a truss system. Before use, the building designer must verify the applicability of design parameters and properly incorporate this design into the overall building design. Bracing indicated is to prevent buckling of individual truss web and/or chord members only. Additional temporary and permanent bracing is always required for stability and to prevent collapse with possible personal injury and property damage. For general guidance regarding the fabrication, storage, delivery, erection and bracing of trusses and truss systems, see ANSI/TPH Quality Criteria and DSB-22 available from Truss Plate Institute (www.tpinst.org) and BCSI Building Component Safety Information available from the Structural Building Component Association (www.sbcacomponents.com)</p>	<p>ENGINEERING BY</p>  <p>A MiTek Affiliate</p> <p>818 Soundside Road Edenton, NC 27932</p>
--	--

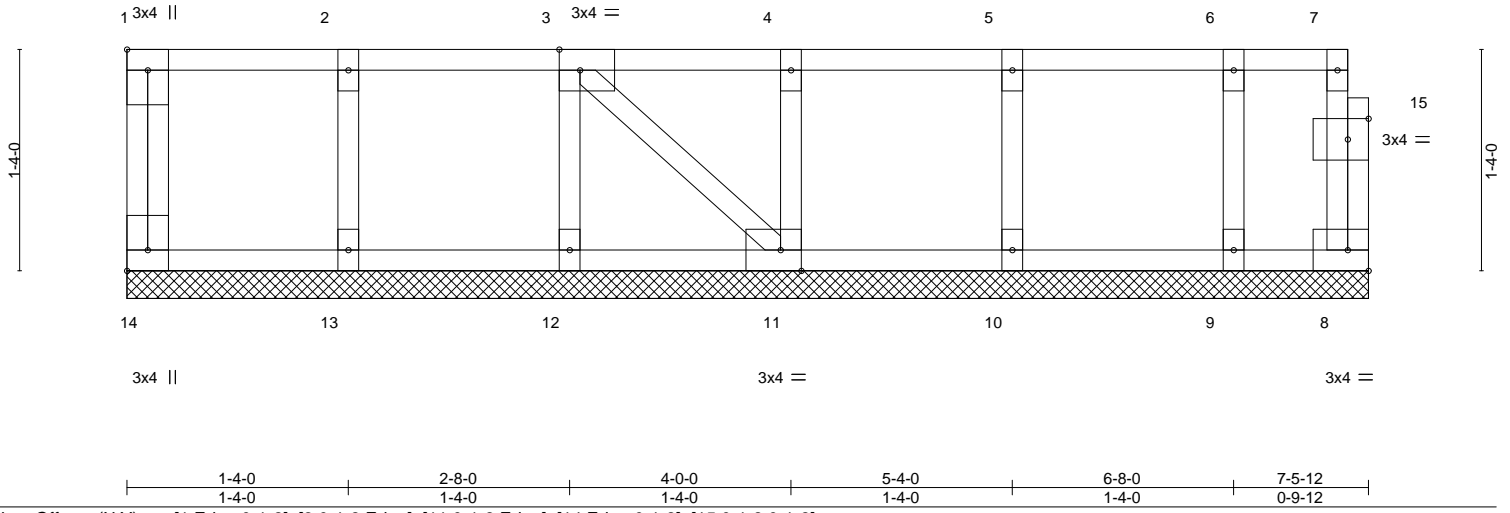
Job J1224-6810	Truss ET3	Truss Type GABLE	Qty 1	Ply 1	Lot 16 West Preserve Job Reference (optional)	I69436124
-------------------	--------------	---------------------	----------	----------	--	-----------

Comtech, Inc. Fayetteville, NC - 28314,

8.630 s Sep 26 2024 MiTek Industries, Inc. Wed Nov 6 14:43:22 2024 Page 1
ID:I4HRAT3elT9qoRldAoEs_5z0Axy-RfC?PsB70Hq3NSgPqnL8w3uITXbGKWRCDoi7J4zJC?f

0-1-8

Scale = 1:13.9



LOADING (psf)	SPACING-	2-0-0	CSI.	DEFL.	in (loc)	l/defl	L/d	PLATES	GRIP
TCLL 40.0	Plate Grip DOL	1.00	TC 0.06	Vert(LL)	n/a	-	n/a	MT20	244/190
TCDL 10.0	Lumber DOL	1.00	BC 0.01	Vert(CT)	n/a	-	n/a		
BCLL 0.0	Rep Stress Incr	YES	WB 0.03	Horz(CT)	0.00	8	n/a		
BCDL 5.0	Code IRC2015/TPI2014		Matrix-P						
								Weight: 39 lb	FT = 20%F, 11%E

LUMBER-	BRACING-
TOP CHORD 2x4 SP No.1(flat)	TOP CHORD Structural wood sheathing directly applied or 6-0-0 oc purlins, except end verticals.
BOT CHORD 2x4 SP No.1(flat)	BOT CHORD Rigid ceiling directly applied or 10-0-0 oc bracing.
WEBS 2x4 SP No.3(flat)	
OTHERS 2x4 SP No.3(flat)	


REACTIONS. All bearings 7-5-12.
(lb) - Max Grav All reactions 250 lb or less at joint(s) 14, 8, 13, 12, 11, 10, 9

FORCES. (lb) - Max. Comp./Max. Ten. - All forces 250 (lb) or less except when shown.

- NOTES-**
- All plates are 1.5x3 MT20 unless otherwise indicated.
 - Plates checked for a plus or minus 1 degree rotation about its center.
 - Gable requires continuous bottom chord bearing.
 - Truss to be fully sheathed from one face or securely braced against lateral movement (i.e. diagonal web).
 - Gable studs spaced at 1-4-0 oc.
 - Recommend 2x6 strongbacks, on edge, spaced at 10-0-0 oc and fastened to each truss with 3-10d (0.131" X 3") nails. Strongbacks to be attached to walls at their outer ends or restrained by other means.
 - CAUTION, Do not erect truss backwards.



November 7, 2024

<p>WARNING - Verify design parameters and READ NOTES ON THIS AND INCLUDED MITEK REFERENCE PAGE MII-7473 rev. 1/2/2023 BEFORE USE.</p> <p>Design valid for use only with MiTek® connectors. This design is based only upon parameters shown, and is for an individual building component, not a truss system. Before use, the building designer must verify the applicability of design parameters and properly incorporate this design into the overall building design. Bracing indicated is to prevent buckling of individual truss web and/or chord members only. Additional temporary and permanent bracing is always required for stability and to prevent collapse with possible personal injury and property damage. For general guidance regarding the fabrication, storage, delivery, erection and bracing of trusses and truss systems, see ANSI/TP1 Quality Criteria and DSB-22 available from Truss Plate Institute (www.tpinst.org) and BCSI Building Component Safety Information available from the Structural Building Component Association (www.sbcacomponents.com)</p>	<p>ENGINEERING BY</p>  <p>A MiTek Affiliate</p> <p>818 Soundside Road Edenton, NC 27932</p>
--	--

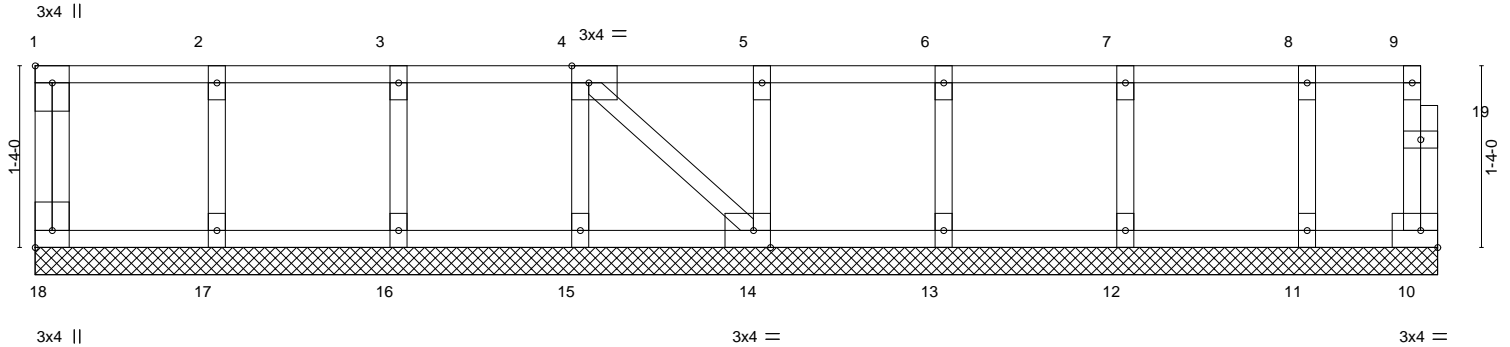
Job	Truss	Truss Type	Qty	Ply	Lot 16 West Preserve	I69436125
J1224-6810	ET4	GABLE	1	1	Job Reference (optional)	

Comtech, Inc. Fayetteville, NC - 28314,

8.630 s Sep 26 2024 MiTek Industries, Inc. Wed Nov 6 14:43:22 2024 Page 1
ID:I4HRAT3elT9qoRldAoEs_5z0Axy-RfC?PsB70Hq3NSgPqnL8w3uITXbGKWrCDoi7J4zJC?f

0r1-8

Scale = 1:16.9



1-4-0	2-8-0	4-0-0	5-4-0	6-8-0	8-0-0	9-4-0	10-3-8
1-4-0	1-4-0	1-4-0	1-4-0	1-4-0	1-4-0	1-4-0	0-11-8

Plate Offsets (X, Y)-- [1:Edge,0-1-8], [4:0-1-8,Edge], [14:0-1-8,Edge], [18:Edge,0-1-8]

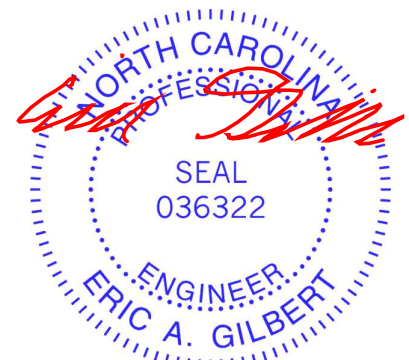
LOADING (psf)	SPACING-	2-0-0	CSI.	DEFL.	in (loc)	l/defl	L/d	PLATES	GRIP
TCLL 40.0	Plate Grip DOL	1.00	TC 0.06	Vert(LL)	n/a	-	n/a	MT20	244/190
TCDL 10.0	Lumber DOL	1.00	BC 0.01	Vert(CT)	n/a	-	n/a		
BCLL 0.0	Rep Stress Incr	YES	WB 0.03	Horz(CT)	0.00	10	n/a		
BCDL 5.0	Code IRC2015/TPI2014		Matrix-S						
								Weight: 50 lb	FT = 20%F, 11%E

LUMBER-	BRACING-
TOP CHORD 2x4 SP No.1(flat)	TOP CHORD Structural wood sheathing directly applied or 6-0-0 oc purlins, except end verticals.
BOT CHORD 2x4 SP No.1(flat)	BOT CHORD Rigid ceiling directly applied or 10-0-0 oc bracing.
WEBS 2x4 SP No.3(flat)	
OTHERS 2x4 SP No.3(flat)	

REACTIONS. All bearings 10-3-8.
(lb) - Max Grav All reactions 250 lb or less at joint(s) 18, 10, 17, 16, 15, 14, 13, 12, 11

FORCES. (lb) - Max. Comp./Max. Ten. - All forces 250 (lb) or less except when shown.

- NOTES-**
- All plates are 1.5x3 MT20 unless otherwise indicated.
 - Plates checked for a plus or minus 1 degree rotation about its center.
 - Gable requires continuous bottom chord bearing.
 - Truss to be fully sheathed from one face or securely braced against lateral movement (i.e. diagonal web).
 - Gable studs spaced at 1-4-0 oc.
 - Recommend 2x6 strongbacks, on edge, spaced at 10-0-0 oc and fastened to each truss with 3-10d (0.131" X 3") nails. Strongbacks to be attached to walls at their outer ends or restrained by other means.
 - CAUTION, Do not erect truss backwards.



November 7, 2024

<p>WARNING - Verify design parameters and READ NOTES ON THIS AND INCLUDED MITEK REFERENCE PAGE MII-7473 rev. 1/2/2023 BEFORE USE.</p> <p>Design valid for use only with MiTek® connectors. This design is based only upon parameters shown, and is for an individual building component, not a truss system. Before use, the building designer must verify the applicability of design parameters and properly incorporate this design into the overall building design. Bracing indicated is to prevent buckling of individual truss web and/or chord members only. Additional temporary and permanent bracing is always required for stability and to prevent collapse with possible personal injury and property damage. For general guidance regarding the fabrication, storage, delivery, erection and bracing of trusses and truss systems, see ANSI/TP1 Quality Criteria and DSB-22 available from Truss Plate Institute (www.tpinst.org) and BCSI Building Component Safety Information available from the Structural Building Component Association (www.sbcacomponents.com)</p>	<p>ENGINEERING BY</p> <p>A MiTek Affiliate</p> <p>818 Soundside Road Edenton, NC 27932</p>
--	--

Job J1224-6810	Truss ET5	Truss Type GABLE	Qty 1	Ply 1	Lot 16 West Preserve Job Reference (optional)	169436126
-------------------	--------------	---------------------	----------	----------	--	-----------

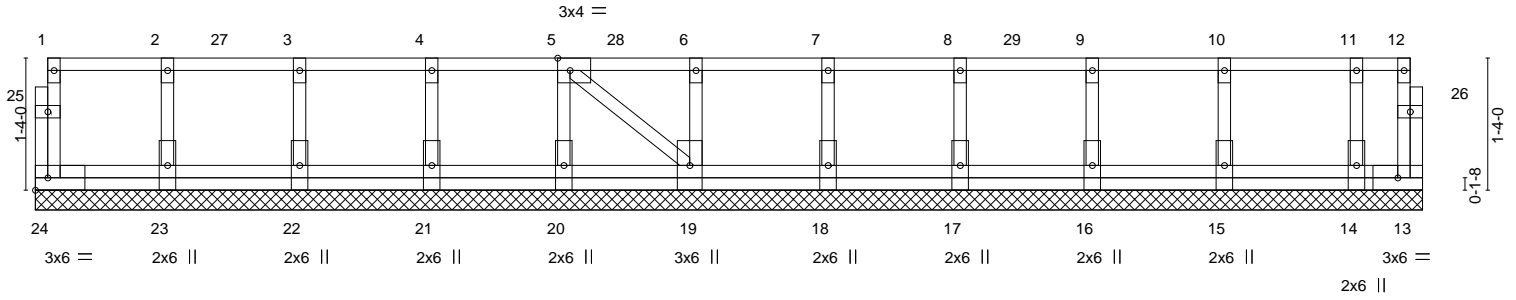
Comtech, Inc. Fayetteville, NC - 28314,

8.630 s Sep 26 2024 MiTek Industries, Inc. Wed Nov 6 14:43:23 2024 Page 1
ID:I4HRAT3elT9qoRldAoEs_5z0Axy-RfC?PsB70Hq3NSgPqnL8w3uITXbGKWrCDoi7J4zJC?f

0₁-8

0₁-8

Scale = 1:23.3



1-4-0	2-8-0	4-0-0	5-4-0	6-8-0	8-0-0	9-4-0	10-8-0	12-0-0	13-4-0	14-0-0
1-4-0	1-4-0	1-4-0	1-4-0	1-4-0	1-4-0	1-4-0	1-4-0	1-4-0	1-4-0	0-8-0

LOADING (psf)		SPACING-	2-0-0	CSI.	DEFL.	in (loc)	l/defl	L/d	PLATES	GRIP	
TCLL	40.0	Plate Grip DOL	1.00	TC	0.12	n/a	-	n/a	999	MT20	244/190
TCDL	10.0	Lumber DOL	1.00	BC	0.00	n/a	-	n/a	999		
BCLL	0.0	Rep Stress Incr	YES	WB	0.05	0.00	13	n/a	n/a		
BCDL	5.0	Code	IRC2015/TPI2014	Matrix-S							
									Weight: 84 lb	FT = 20%F, 11%E	

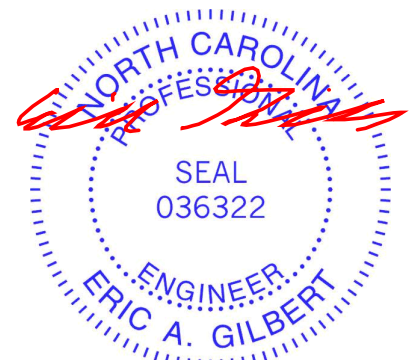
LUMBER-	BRACING-
TOP CHORD 2x4 SP No.1(flat)	TOP CHORD Structural wood sheathing directly applied or 6-0-0 oc purlins, except end verticals.
BOT CHORD 2x4 SP No.1(flat)	BOT CHORD Rigid ceiling directly applied or 6-0-0 oc bracing.
WEBS 2x4 SP No.3(flat)	
OTHERS 2x4 SP No.3(flat)	

REACTIONS. All bearings 14-0-0.
(lb) - Max Grav All reactions 250 lb or less at joint(s) 24, 23, 22, 21, 20, 19, 18, 17, 16, 15, 14

FORCES. (lb) - Max. Comp./Max. Ten. - All forces 250 (lb) or less except when shown.

- NOTES-**
- All plates are 1.5x3 MT20 unless otherwise indicated.
 - Plates checked for a plus or minus 1 degree rotation about its center.
 - Gable requires continuous bottom chord bearing.
 - Truss to be fully sheathed from one face or securely braced against lateral movement (i.e. diagonal web).
 - Gable studs spaced at 1-4-0 oc.
 - Recommend 2x6 strongbacks, on edge, spaced at 10-0-0 oc and fastened to each truss with 3-10d (0.131" X 3") nails. Strongbacks to be attached to walls at their outer ends or restrained by other means.

- LOAD CASE(S)** Standard
- Dead + Floor Live (balanced): Lumber Increase=1.00, Plate Increase=1.00
Uniform Loads (plf)
Vert: 13-24=-10, 1-12=-100
Concentrated Loads (lb)
Vert: 4=-91 7=-91 10=-91 27=-91 28=-91 29=-91



November 7, 2024

Job J1224-6810	Truss F1	Truss Type Floor	Qty 6	Ply 1	Lot 16 West Preserve 169436127
-------------------	-------------	---------------------	----------	----------	-----------------------------------

Comtech, Inc. Fayetteville, NC - 28314,

8.630 s Sep 26 2024 MiTek Industries, Inc. Wed Nov 6 14:43:23 2024 Page 1
ID:I4HRAT3elT9qoRldAoEs_5z0Axy-RfC?PsB70Hq3NSgPqnL8w3uITXbGKWrCDoi7J4zJC?f



Scale = 1:29.2

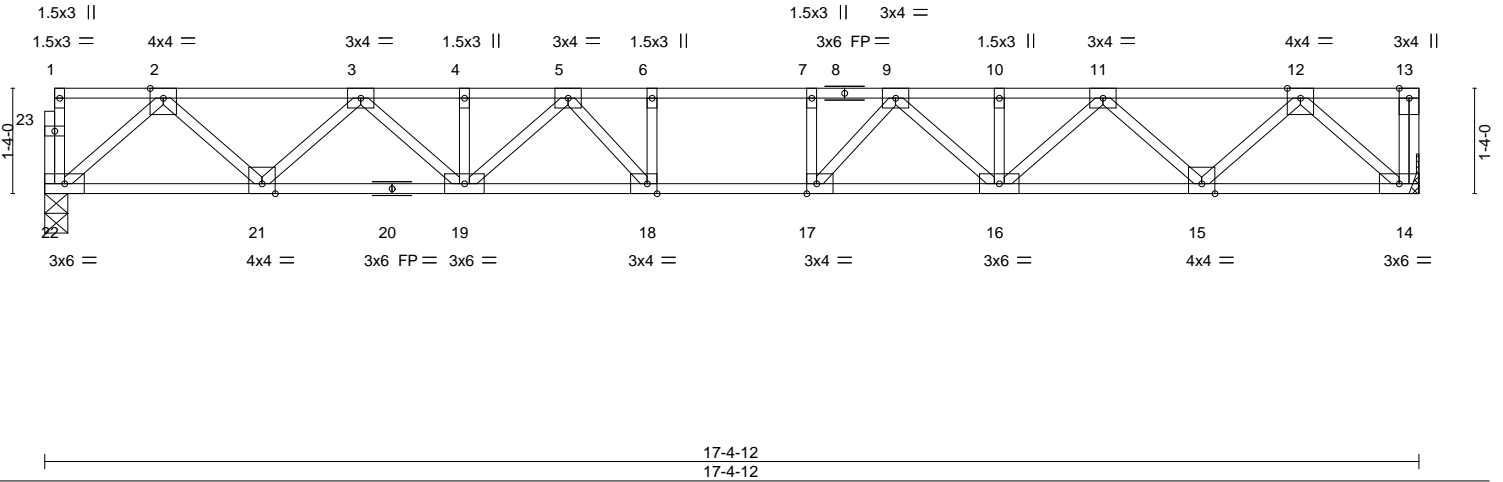


Plate Offsets (X, Y)--	[17:0-1-8,Edge], [18:0-1-8,Edge]				
LOADING (psf)	SPACING- 2-0-0	CSI.	DEFL. in (loc) l/defl L/d	PLATES	GRIP
TCLL 40.0	Plate Grip DOL 1.00	TC 0.48	Vert(LL) -0.19 17-18 >999 480	MT20	244/190
TCDL 10.0	Lumber DOL 1.00	BC 0.69	Vert(CT) -0.26 17-18 >777 360		
BCLL 0.0	Rep Stress Incr YES	WB 0.46	Horz(CT) 0.06 14 n/a n/a		
BCDL 5.0	Code IRC2015/TPI2014	Matrix-S		Weight: 93 lb	FT = 20%F, 11%E

LUMBER-	BRACING-
TOP CHORD 2x4 SP No.1(flat)	TOP CHORD Structural wood sheathing directly applied or 6-0-0 oc purlins, except end verticals.
BOT CHORD 2x4 SP No.1(flat)	BOT CHORD Rigid ceiling directly applied or 10-0-0 oc bracing.
WEBS 2x4 SP No.3(flat)	


REACTIONS. (size) 22=0-3-8, 14=Mechanical
Max Grav 22=937(LC 1), 14=943(LC 1)

FORCES. (lb) - Max. Comp./Max. Ten. - All forces 250 (lb) or less except when shown.
TOP CHORD 2-3=-1705/0, 3-4=-2823/0, 4-5=-2823/0, 5-6=-3312/0, 6-7=-3312/0, 7-9=-3312/0, 9-10=-2823/0, 10-11=-2823/0, 11-12=-1705/0
BOT CHORD 21-22=0/1015, 19-21=0/2365, 18-19=0/3144, 17-18=0/3312, 16-17=0/3144, 15-16=0/2365, 14-15=0/1016
WEBS 2-22=-1349/0, 2-21=0/960, 3-21=-918/0, 3-19=0/622, 5-19=-436/0, 12-14=-1352/0, 12-15=0/959, 11-15=-918/0, 11-16=0/623, 9-16=-436/0, 9-17=-86/552, 7-17=-313/5, 5-18=-86/552, 6-18=-313/5

- NOTES-**
- 1) Unbalanced floor live loads have been considered for this design.
 - 2) Plates checked for a plus or minus 1 degree rotation about its center.
 - 3) Refer to girder(s) for truss to truss connections.
 - 4) Recommend 2x6 strongbacks, on edge, spaced at 10-0-0 oc and fastened to each truss with 3-10d (0.131" X 3") nails. Strongbacks to be attached to walls at their outer ends or restrained by other means.
 - 5) CAUTION, Do not erect truss backwards.



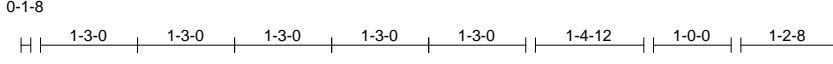
November 7, 2024

<p>WARNING - Verify design parameters and READ NOTES ON THIS AND INCLUDED MITEK REFERENCE PAGE MII-7473 rev. 1/2/2023 BEFORE USE.</p> <p>Design valid for use only with MiTek® connectors. This design is based only upon parameters shown, and is for an individual building component, not a truss system. Before use, the building designer must verify the applicability of design parameters and properly incorporate this design into the overall building design. Bracing indicated is to prevent buckling of individual truss web and/or chord members only. Additional temporary and permanent bracing is always required for stability and to prevent collapse with possible personal injury and property damage. For general guidance regarding the fabrication, storage, delivery, erection and bracing of trusses and truss systems, see ANSI/TPH Quality Criteria and DSB-22 available from Truss Plate Institute (www.tpinst.org) and BCSI Building Component Safety Information available from the Structural Building Component Association (www.sbcacomponents.com)</p>	<p>ENGINEERING BY</p>  <p>A MiTek Affiliate</p> <p>818 Soundside Road Edenton, NC 27932</p>
--	--

Job J1224-6810	Truss F1A	Truss Type Floor	Qty 1	Ply 1	Lot 16 West Preserve Job Reference (optional)	6810
-------------------	--------------	---------------------	----------	----------	--	------

Comtech, Inc. Fayetteville, NC - 28314,

8.630 s Sep 26 2024 MiTek Industries, Inc. Wed Nov 6 14:43:24 2024 Page 1
ID:I4HRAT3elT9qoRldAoEs_5z0Axy-RfC?PsB70Hq3NSgPqnL8w3uITXbGKWrCDoi7J4zJC?f



Scale = 1:29.7

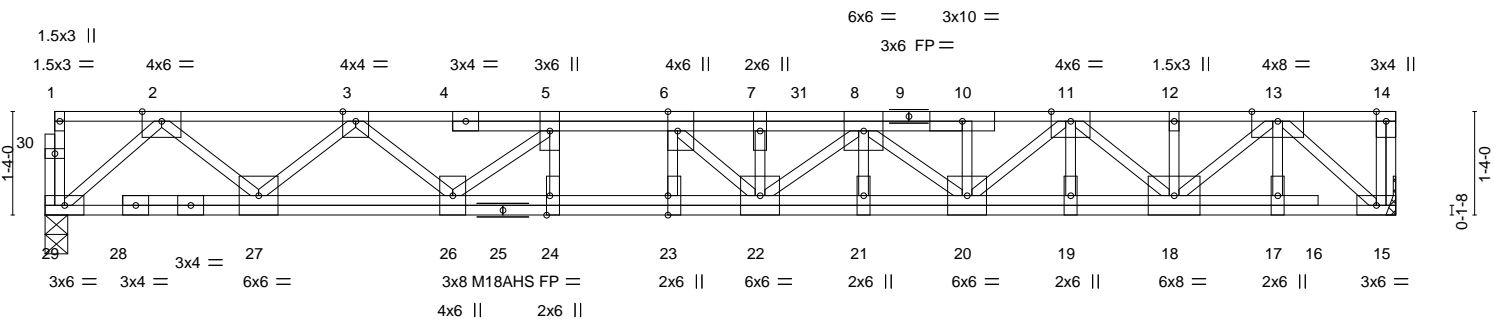


Plate Offsets (X,Y)--	[6:0-3-0,Edge], [23:0-3-0,Edge], [24:0-3-0,Edge]
-----------------------	--

LOADING (psf)	SPACING-	2-0-0	CSI.	DEFL.	in (loc)	l/defl	L/d	PLATES	GRIP
TCLL 40.0	Plate Grip DOL	1.00	TC 0.67	Vert(LL)	-0.20 22-23	>999	480	MT20	244/190
TCDL 10.0	Lumber DOL	1.00	BC 0.74	Vert(CT)	-0.28 22-23	>739	360	M18AHS	186/179
BCLL 0.0	Rep Stress Incr	NO	WB 0.69	Horz(CT)	0.05 15	n/a	n/a		
BCDL 5.0	Code IRC2015/TP12014		Matrix-S						
								Weight: 128 lb	FT = 20%F, 11%E

LUMBER-	BRACING-
TOP CHORD 2x4 SP No.1(flat)	TOP CHORD Structural wood sheathing directly applied or 6-0-0 oc purlins, except end verticals.
BOT CHORD 2x4 SP No.1(flat)	BOT CHORD Rigid ceiling directly applied or 10-0-0 oc bracing.
WEBS 2x4 SP No.3(flat)	

REACTIONS. (size) 29=0-3-8, 15=Mechanical
Max Grav 29=1112(LC 1), 15=1169(LC 1)

FORCES. (lb) - Max. Comp./Max. Ten. - All forces 250 (lb) or less except when shown.
TOP CHORD 2-3=-2171/0, 3-5=-3758/0, 5-6=-4691/0, 6-7=-5203/0, 7-8=-5203/0, 8-10=-4093/0, 10-11=-4088/0, 11-12=-2410/0, 12-13=-2410/0
BOT CHORD 27-29=0/1244, 26-27=0/3037, 24-26=0/4691, 23-24=0/4691, 22-23=0/4691, 21-22=0/4965, 20-21=0/4965, 19-20=0/3348, 18-19=0/3348, 17-18=0/1304, 15-17=0/1304
WEBS 2-29=-1654/0, 2-27=0/1258, 3-27=-1174/0, 3-26=0/970, 5-26=-1275/0, 5-24=0/452, 13-15=-1725/0, 13-18=0/1458, 11-18=-1237/0, 11-20=0/976, 8-20=-1130/0, 8-22=0/394, 7-22=-541/0, 6-22=0/978, 6-23=-458/0

- NOTES-**
- 1) Unbalanced floor live loads have been considered for this design.
 - 2) All plates are MT20 plates unless otherwise indicated.
 - 3) Plates checked for a plus or minus 1 degree rotation about its center.
 - 4) Refer to girder(s) for truss to truss connections.
 - 5) Recommend 2x6 strongbacks, on edge, spaced at 10-0-0 oc and fastened to each truss with 3-10d (0.131" X 3") nails. Strongbacks to be attached to walls at their outer ends or restrained by other means.
 - 6) CAUTION, Do not erect truss backwards.
 - 7) Hanger(s) or other connection device(s) shall be provided sufficient to support concentrated load(s) 481 lb down at 9-9-4 on top chord. The design/selection of such connection device(s) is the responsibility of others.
 - 8) In the LOAD CASE(S) section, loads applied to the face of the truss are noted as front (F) or back (B).

LOAD CASE(S) Standard
1) Dead + Floor Live (balanced): Lumber Increase=1.00, Plate Increase=1.00
Uniform Loads (plf)
Vert: 15-29=-10, 1-14=-100
Concentrated Loads (lb)
Vert: 31=-401(F)



November 7, 2024

WARNING - Verify design parameters and READ NOTES ON THIS AND INCLUDED MITEK REFERENCE PAGE MII-7473 rev. 1/2/2023 BEFORE USE.

Design valid for use only with MiTek® connectors. This design is based only upon parameters shown, and is for an individual building component, not a truss system. Before use, the building designer must verify the applicability of design parameters and properly incorporate this design into the overall building design. Bracing indicated is to prevent buckling of individual truss web and/or chord members only. Additional temporary and permanent bracing is always required for stability and to prevent collapse with possible personal injury and property damage. For general guidance regarding the fabrication, storage, delivery, erection and bracing of trusses and truss systems, see **ANSI/TPH Quality Criteria and DSB-22** available from Truss Plate Institute (www.tpinst.org) and **BCSI Building Component Safety Information** available from the Structural Building Component Association (www.sbccomponents.com)

818 Soundside Road
Edenton, NC 27932

Job J1224-6810	Truss F2	Truss Type Floor	Qty 7	Ply 1	Lot 16 West Preserve Job Reference (optional)	169436129
-------------------	-------------	---------------------	----------	----------	--	-----------

Comtech, Inc. Fayetteville, NC - 28314,

8.630 s Sep 26 2024 MiTek Industries, Inc. Wed Nov 6 14:43:24 2024 Page 1
ID:I4HRAT3elT9qoRldAoEs_5z0Axy-RfC?PsB70Hq3NSgPqnL8w3uITXbGKWrCDoi7J4zJC?f

1-3-0

2-1-0

0-1-8

Scale = 1:30.3

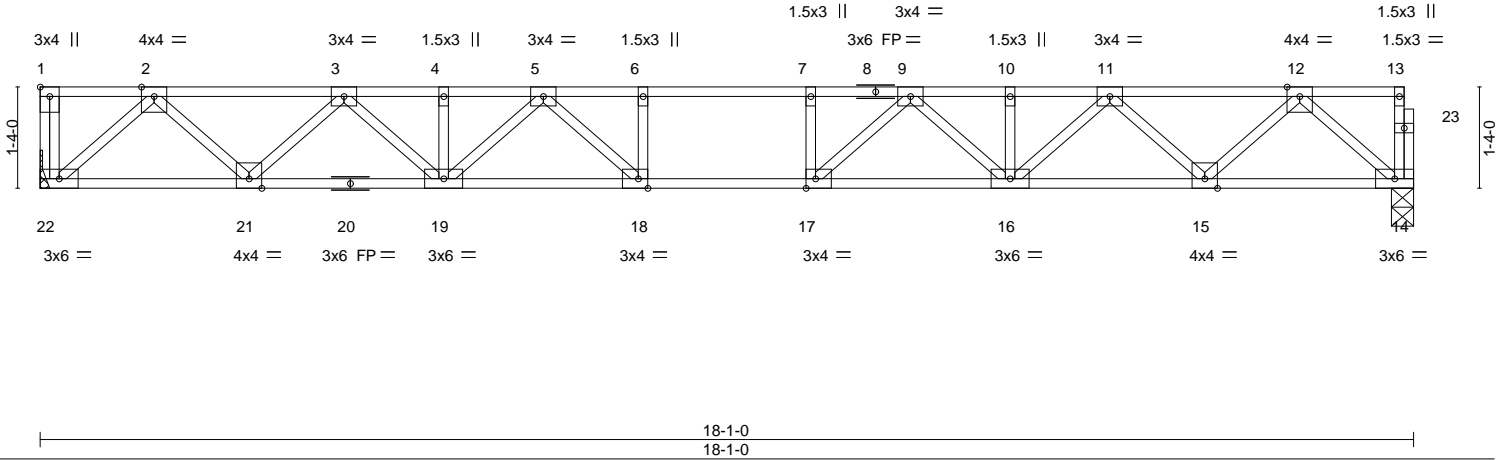


Plate Offsets (X,Y)-- [1:Edge,0-1-8], [17:0-1-8,Edge], [18:0-1-8,Edge]

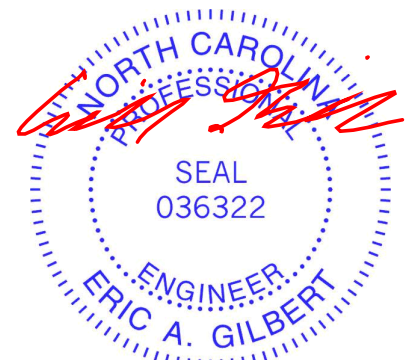
LOADING (psf)	SPACING-	2-0-0	CSI.	DEFL.	in (loc)	l/defl	L/d	PLATES	GRIP
TCLL 40.0	Plate Grip DOL	1.00	TC 0.56	Vert(LL)	-0.22 17-18	>956	480	MT20	244/190
TCDL 10.0	Lumber DOL	1.00	BC 0.77	Vert(CT)	-0.31 17-18	>695	360		
BCLL 0.0	Rep Stress Incr	YES	WB 0.48	Horz(CT)	0.06 14	n/a	n/a		
BCDL 5.0	Code IRC2015/TPI2014		Matrix-S						
								Weight: 96 lb	FT = 20%F, 11%E

LUMBER-	BRACING-
TOP CHORD 2x4 SP No.1(flat)	TOP CHORD Structural wood sheathing directly applied or 6-0-0 oc purlins, except end verticals.
BOT CHORD 2x4 SP No.1(flat)	BOT CHORD Rigid ceiling directly applied or 10-0-0 oc bracing.
WEBS 2x4 SP No.3(flat)	


REACTIONS. (size) 22=Mechanical, 14=0-3-8
Max Grav 22=981(LC 1), 14=975(LC 1)

FORCES. (lb) - Max. Comp./Max. Ten. - All forces 250 (lb) or less except when shown.
 TOP CHORD 2-3=-1787/0, 3-4=-2985/0, 4-5=-2985/0, 5-6=-3581/0, 6-7=-3581/0, 7-9=-3581/0, 9-10=-2985/0, 10-11=-2985/0, 11-12=-1787/0
 BOT CHORD 21-22=0/1058, 19-21=0/2486, 18-19=0/3347, 17-18=0/3581, 16-17=0/3347, 15-16=0/2486, 14-15=0/1058
 WEBS 2-22=-1409/0, 2-21=0/1013, 3-21=-972/0, 3-19=0/678, 5-19=-492/0, 5-18=-55/627, 6-18=-316/0, 12-14=-1406/0, 12-15=0/1014, 11-15=-973/0, 11-16=0/678, 9-16=-492/0, 9-17=-55/627, 7-17=-316/0

- NOTES-**
- 1) Unbalanced floor live loads have been considered for this design.
 - 2) Plates checked for a plus or minus 1 degree rotation about its center.
 - 3) Refer to girder(s) for truss to truss connections.
 - 4) Recommend 2x6 strongbacks, on edge, spaced at 10-0-0 oc and fastened to each truss with 3-10d (0.131" X 3") nails. Strongbacks to be attached to walls at their outer ends or restrained by other means.
 - 5) CAUTION, Do not erect truss backwards.



November 7, 2024

<p>WARNING - Verify design parameters and READ NOTES ON THIS AND INCLUDED MITEK REFERENCE PAGE MII-7473 rev. 1/2/2023 BEFORE USE.</p> <p>Design valid for use only with MiTek® connectors. This design is based only upon parameters shown, and is for an individual building component, not a truss system. Before use, the building designer must verify the applicability of design parameters and properly incorporate this design into the overall building design. Bracing indicated is to prevent buckling of individual truss web and/or chord members only. Additional temporary and permanent bracing is always required for stability and to prevent collapse with possible personal injury and property damage. For general guidance regarding the fabrication, storage, delivery, erection and bracing of trusses and truss systems, see ANSI/TPH Quality Criteria and DSB-22 available from Truss Plate Institute (www.tpinst.org) and BCSI Building Component Safety Information available from the Structural Building Component Association (www.sbcacomponents.com)</p>	<p>ENGINEERING BY</p>  <p>A MiTek Affiliate</p> <p>818 Soundside Road Edenton, NC 27932</p>
--	--

Job J1224-6810	Truss F2A	Truss Type Floor	Qty 1	Ply 1	Lot 16 West Preserve Job Reference (optional)	169436130
-------------------	--------------	---------------------	----------	----------	--	-----------

Comtech, Inc. Fayetteville, NC - 28314,

8.630 s Sep 26 2024 MiTek Industries, Inc. Wed Nov 6 14:43:25 2024 Page 1
ID:I4HRAT3elT9qoRldAoEs_5z0Axy-RfC?PsB70Hq3NSgPqnL8w3uITXbGKWrCDoi7J4zJC?f

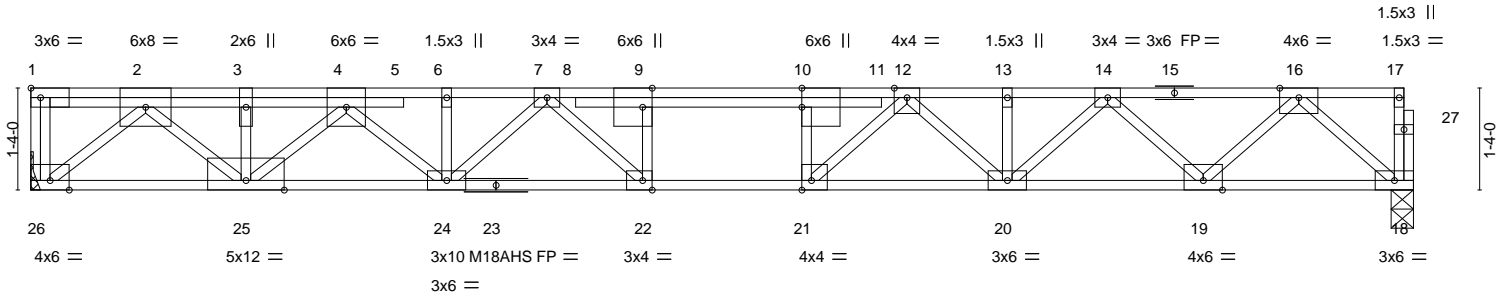
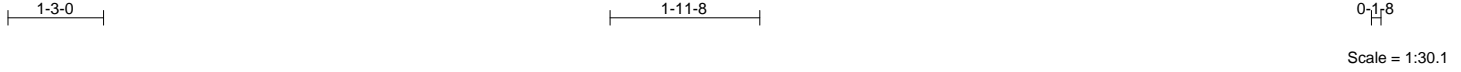


Plate Offsets (X, Y)--	[9:0-3-0,Edge], [10:0-3-0,Edge], [21:0-1-8,Edge], [22:0-1-8,Edge]
------------------------	---

LOADING (psf)	SPACING-	2-0-0	CSI.	DEFL.	in (loc)	l/defl	L/d	PLATES	GRIP	
TCLL 40.0	Plate Grip DOL	1.00	TC 0.53	Vert(LL)	-0.25	22	>845	480	MT20	244/190
TCDL 10.0	Lumber DOL	1.00	BC 0.94	Vert(CT)	-0.35	22	>610	360	M18AHS	186/179
BCLL 0.0	Rep Stress Incr	NO	WB 0.92	Horz(CT)	0.08	18	n/a	n/a		
BCDL 5.0	Code IRC2015/TPI2014		Matrix-S							
									Weight: 109 lb	FT = 20%F, 11%E

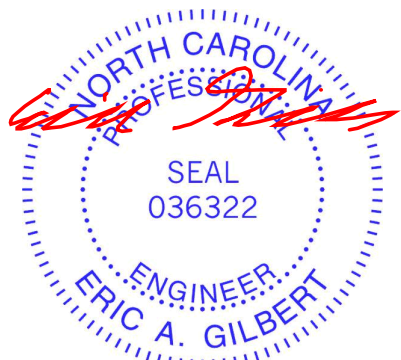
LUMBER-	BRACING-
TOP CHORD 2x4 SP No.1(flat)	TOP CHORD Structural wood sheathing directly applied or 5-10-1 oc purlins, except end verticals.
BOT CHORD 2x4 SP No.1(flat)	BOT CHORD Rigid ceiling directly applied or 10-0-0 oc bracing.
WEBS 2x4 SP No.3(flat)	

REACTIONS. (size) 26=Mechanical, 18=0-3-8
Max Grav 26=1498(LC 1), 18=1066(LC 1)

FORCES. (lb) - Max. Comp./Max. Ten. - All forces 250 (lb) or less except when shown.
TOP CHORD 2-3=-3150/0, 3-4=-3150/0, 4-6=-3973/0, 6-7=-3970/0, 7-9=-4445/0, 9-10=-4442/0, 10-12=-4455/0, 12-13=-3379/0, 13-14=-3379/0, 14-16=-1986/0
BOT CHORD 25-26=0/1698, 24-25=0/3684, 22-24=0/4215, 21-22=0/4442, 20-21=0/3824, 19-20=0/2777, 18-19=0/1162
WEBS 2-26=-2210/0, 2-25=0/1927, 3-25=-776/0, 4-25=-709/0, 4-24=0/380, 16-18=-1545/0, 16-19=0/1145, 14-19=-1101/0, 14-20=0/818, 12-20=-605/0, 12-21=0/1075, 10-21=-658/0, 7-24=-333/0, 7-22=-126/529, 9-22=-328/61

- NOTES-**
- 1) Unbalanced floor live loads have been considered for this design.
 - 2) All plates are MT20 plates unless otherwise indicated.
 - 3) Plates checked for a plus or minus 1 degree rotation about its center.
 - 4) Refer to girder(s) for truss to truss connections.
 - 5) Recommend 2x6 strongbacks, on edge, spaced at 10-0-0 oc and fastened to each truss with 3-10d (0.131" X 3") nails. Strongbacks to be attached to walls at their outer ends or restrained by other means.
 - 6) CAUTION, Do not erect truss backwards.
 - 7) Hanger(s) or other connection device(s) shall be provided sufficient to support concentrated load(s) 689 lb down at 2-6-4 on top chord. The design/selection of such connection device(s) is the responsibility of others.
 - 8) In the LOAD CASE(S) section, loads applied to the face of the truss are noted as front (F) or back (B).

LOAD CASE(S) Standard
 1) Dead + Floor Live (balanced): Lumber Increase=1.00, Plate Increase=1.00
 Uniform Loads (plf)
 Vert: 18-26=-10, 1-17=-100
 Concentrated Loads (lb)
 Vert: 3=-609(F)



November 7, 2024

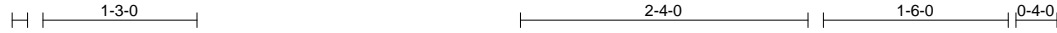
<p>WARNING - Verify design parameters and READ NOTES ON THIS AND INCLUDED MITEK REFERENCE PAGE MII-7473 rev. 1/2/2023 BEFORE USE. Design valid for use only with MiTek® connectors. This design is based only upon parameters shown, and is for an individual building component, not a truss system. Before use, the building designer must verify the applicability of design parameters and properly incorporate this design into the overall building design. Bracing indicated is to prevent buckling of individual truss web and/or chord members only. Additional temporary and permanent bracing is always required for stability and to prevent collapse with possible personal injury and property damage. For general guidance regarding the fabrication, storage, delivery, erection and bracing of trusses and truss systems, see ANSI/TPH Quality Criteria and DSB-22 available from Truss Plate Institute (www.tpinst.org) and BCSI Building Component Safety Information available from the Structural Building Component Association (www.sbcacomponents.com)</p>	<p>ENGINEERING BY TRENCO A MiTek Affiliate</p> <p>818 Soundside Road Edenton, NC 27932</p>
--	--

Job J1224-6810	Truss F3	Truss Type Floor	Qty 2	Ply 1	Lot 16 West Preserve Job Reference (optional)	I69436131
-------------------	-------------	---------------------	----------	----------	--	-----------

Comtech, Inc. Fayetteville, NC - 28314,

8.630 s Sep 26 2024 MiTek Industries, Inc. Wed Nov 6 14:43:25 2024 Page 1
ID:I4HRAT3elT9qoRldAoEs_5z0Axy-RfC?PsB70Hq3NSgPqnL8w3uITXbGKWrCDoi7J4zJC?f

0-1-8



Scale = 1:18.7

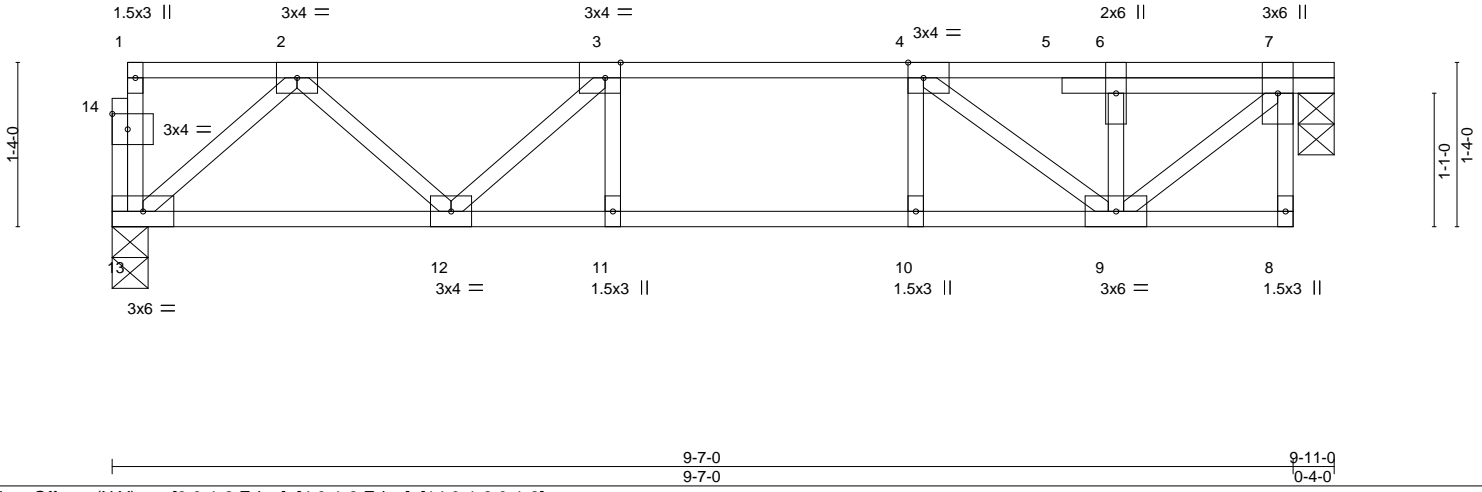


Plate Offsets (X,Y)--	[3:0-1-8,Edge], [4:0-1-8,Edge], [14:0-1-8,0-1-8]	9-7-0 9-7-0	9-11-0 0-4-0
-----------------------	--	----------------	-----------------

LOADING (psf)	SPACING-	CSI.	DEFL.	PLATES	GRIP
TCLL 40.0	2-0-0	TC 0.35	in (loc) l/defl L/d	MT20	244/190
TCDL 10.0	Plate Grip DOL 1.00	BC 0.47	Vert(LL) -0.07 11 >999 480		
BCLL 0.0	Lumber DOL 1.00	WB 0.31	Vert(CT) -0.09 11 >999 360		
BCDL 5.0	Rep Stress Incr YES	Matrix-S	Horz(CT) 0.02 7 n/a n/a		
	Code IRC2015/TPI2014			Weight: 54 lb	FT = 20%F, 11%E

LUMBER-	BRACING-
TOP CHORD 2x4 SP No.1(flat)	TOP CHORD Structural wood sheathing directly applied or 6-0-0 oc purlins, except end verticals.
BOT CHORD 2x4 SP No.1(flat)	BOT CHORD Rigid ceiling directly applied or 10-0-0 oc bracing.
WEBS 2x4 SP No.3(flat)	


REACTIONS. (size) 13=0-3-8, 7=0-3-8
Max Grav 13=511(LC 1), 7=517(LC 1)

FORCES. (lb) - Max. Comp./Max. Ten. - All forces 250 (lb) or less except when shown.
TOP CHORD 2-3=-781/0, 3-4=-965/0, 4-6=-499/0, 6-7=-499/0
BOT CHORD 12-13=0/541, 11-12=0/965, 10-11=0/965, 9-10=0/965
WEBS 7-9=0/649, 2-13=-718/0, 2-12=0/334, 3-12=-307/0, 4-9=-640/0

- NOTES-**
- 1) Unbalanced floor live loads have been considered for this design.
 - 2) Plates checked for a plus or minus 1 degree rotation about its center.
 - 3) Recommend 2x6 strongbacks, on edge, spaced at 10-0-0 oc and fastened to each truss with 3-10d (0.131" X 3") nails. Strongbacks to be attached to walls at their outer ends or restrained by other means.
 - 4) Gap between inside of top chord bearing and first diagonal or vertical web shall not exceed 0.500in.
 - 5) CAUTION, Do not erect truss backwards.



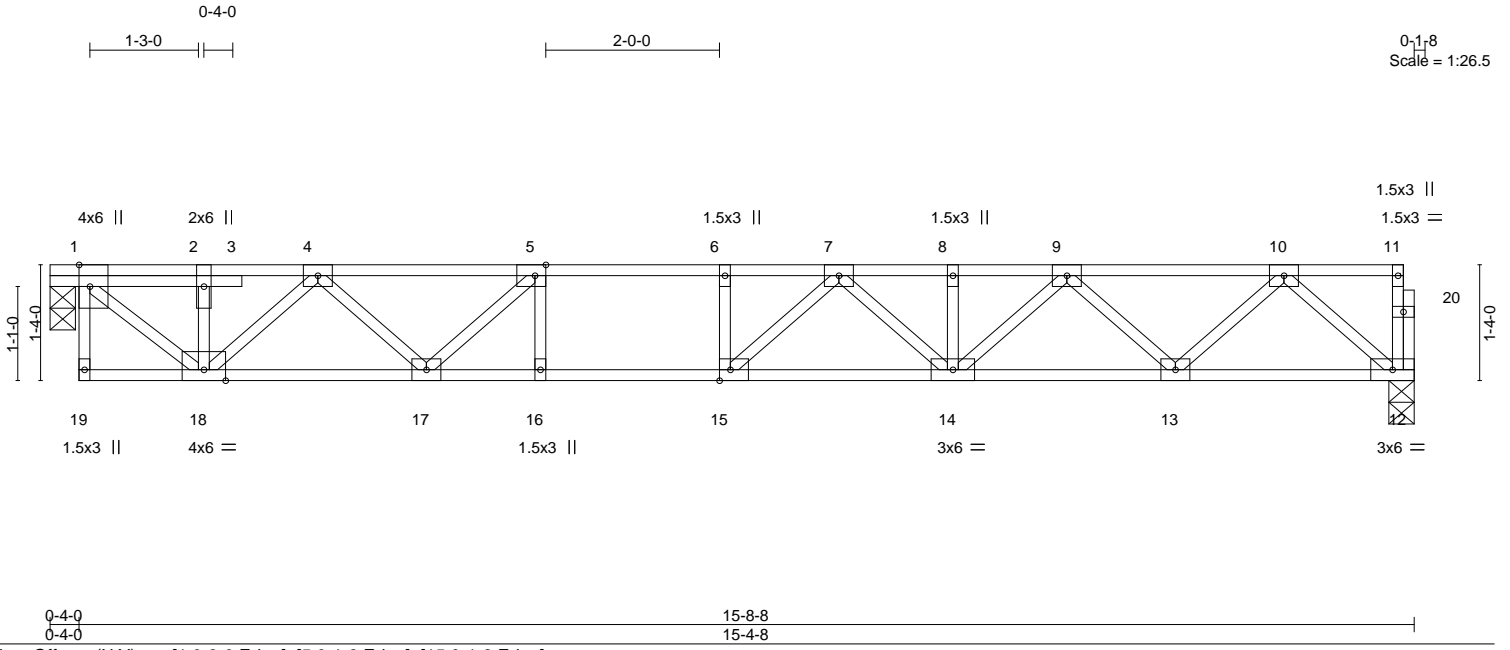
November 7, 2024

<p>WARNING - Verify design parameters and READ NOTES ON THIS AND INCLUDED MITEK REFERENCE PAGE MII-7473 rev. 1/2/2023 BEFORE USE.</p> <p>Design valid for use only with MiTek® connectors. This design is based only upon parameters shown, and is for an individual building component, not a truss system. Before use, the building designer must verify the applicability of design parameters and properly incorporate this design into the overall building design. Bracing indicated is to prevent buckling of individual truss web and/or chord members only. Additional temporary and permanent bracing is always required for stability and to prevent collapse with possible personal injury and property damage. For general guidance regarding the fabrication, storage, delivery, erection and bracing of trusses and truss systems, see ANSI/TP1 Quality Criteria and DSB-22 available from Truss Plate Institute (www.tpinst.org) and BCSI Building Component Safety Information available from the Structural Building Component Association (www.sbcacomponents.com)</p>	<p>ENGINEERING BY</p>  <p>A MiTek Affiliate</p> <p>818 Soundside Road Edenton, NC 27932</p>
--	--

Job J1224-6810	Truss F4	Truss Type Floor	Qty 2	Ply 1	Lot 16 West Preserve Job Reference (optional)	169436132
-------------------	-------------	---------------------	----------	----------	--	-----------

Comtech, Inc. Fayetteville, NC - 28314,

8.630 s Sep 26 2024 MiTek Industries, Inc. Wed Nov 6 14:43:26 2024 Page 1
ID:I4HRAT3elT9qoRldAoEs_5z0Axy-RfC?PsB70Hq3NSgPqnL8w3uITXbGKWrCDoi7J4zJC?f



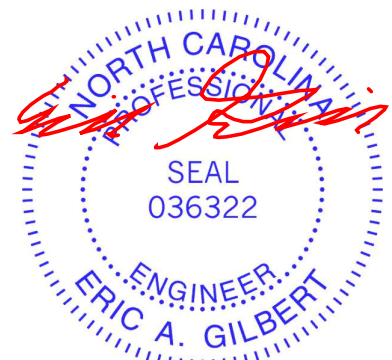
LOADING (psf)	SPACING - 2-0-0	CSI.	DEFL. in (loc) l/defl L/d	PLATES	GRIP
TCLL 40.0	Plate Grip DOL 1.00	TC 0.66	Vert(LL) -0.21 14-15 >856 480	MT20	244/190
TCDL 10.0	Lumber DOL 1.00	BC 0.94	Vert(CT) -0.28 14-15 >640 360		
BCLL 0.0	Rep Stress Incr YES	WB 0.56	Horz(CT) 0.02 12 n/a n/a		
BCDL 5.0	Code IRC2015/TPI2014	Matrix-S		Weight: 84 lb	FT = 20%F, 11%E

LUMBER-	BRACING-
TOP CHORD 2x4 SP No.1(flat)	TOP CHORD Structural wood sheathing directly applied or 6-0-0 oc purlins, except end verticals.
BOT CHORD 2x4 SP No.1(flat)	BOT CHORD Rigid ceiling directly applied or 10-0-0 oc bracing, Except: 2-2-0 oc bracing: 15-16.
WEBS 2x4 SP No.3(flat)	


REACTIONS. (size) 12=0-3-8, 1=0-3-8
Max Grav 12=829(LC 1), 1=835(LC 1)

FORCES. (lb) - Max. Comp./Max. Ten. - All forces 250 (lb) or less except when shown.
TOP CHORD 1-2=-900/0, 2-4=-903/0, 4-5=-1988/0, 5-6=-2524/0, 6-7=-2524/0, 7-8=-2371/0, 8-9=-2371/0, 9-10=-1469/0
BOT CHORD 17-18=0/1531, 16-17=0/2524, 15-16=0/2524, 14-15=0/2568, 13-14=0/2027, 12-13=0/891
WEBS 1-18=0/1172, 4-18=-857/0, 4-17=0/636, 5-17=-794/0, 10-12=-1184/0, 10-13=0/804, 9-13=-776/0, 9-14=0/468, 7-14=-279/0, 7-15=-258/302

- NOTES-**
- 1) Unbalanced floor live loads have been considered for this design.
 - 2) All plates are 3x4 MT20 unless otherwise indicated.
 - 3) Plates checked for a plus or minus 1 degree rotation about its center.
 - 4) Recommend 2x6 strongbacks, on edge, spaced at 10-0-0 oc and fastened to each truss with 3-10d (0.131" X 3") nails. Strongbacks to be attached to walls at their outer ends or restrained by other means.
 - 5) Gap between inside of top chord bearing and first diagonal or vertical web shall not exceed 0.500in.
 - 6) CAUTION, Do not erect truss backwards.



November 7, 2024

<p>WARNING - Verify design parameters and READ NOTES ON THIS AND INCLUDED MITEK REFERENCE PAGE MII-7473 rev. 1/2/2023 BEFORE USE.</p> <p>Design valid for use only with MiTek® connectors. This design is based only upon parameters shown, and is for an individual building component, not a truss system. Before use, the building designer must verify the applicability of design parameters and properly incorporate this design into the overall building design. Bracing indicated is to prevent buckling of individual truss web and/or chord members only. Additional temporary and permanent bracing is always required for stability and to prevent collapse with possible personal injury and property damage. For general guidance regarding the fabrication, storage, delivery, erection and bracing of trusses and truss systems, see ANSI/TPH Quality Criteria and DSB-22 available from Truss Plate Institute (www.tpinst.org) and BCSI Building Component Safety Information available from the Structural Building Component Association (www.sbcacomponents.com)</p>	<p>ENGINEERING BY</p>  <p>818 Soundside Road Edenton, NC 27932</p>
--	---

Job J1224-6810	Truss F6	Truss Type Floor	Qty 5	Ply 1	Lot 16 West Preserve Job Reference (optional)	169436134
-------------------	-------------	---------------------	----------	----------	--	-----------

Comtech, Inc. Fayetteville, NC - 28314,

8.630 s Sep 26 2024 MiTek Industries, Inc. Wed Nov 6 14:43:27 2024 Page 1
ID:I4HRAT3elT9qoRldAoEs_5z0Axy-RfC?PsB70Hq3NSgPqnL8w3uITXbGKWrCDoi7J4zJC?f

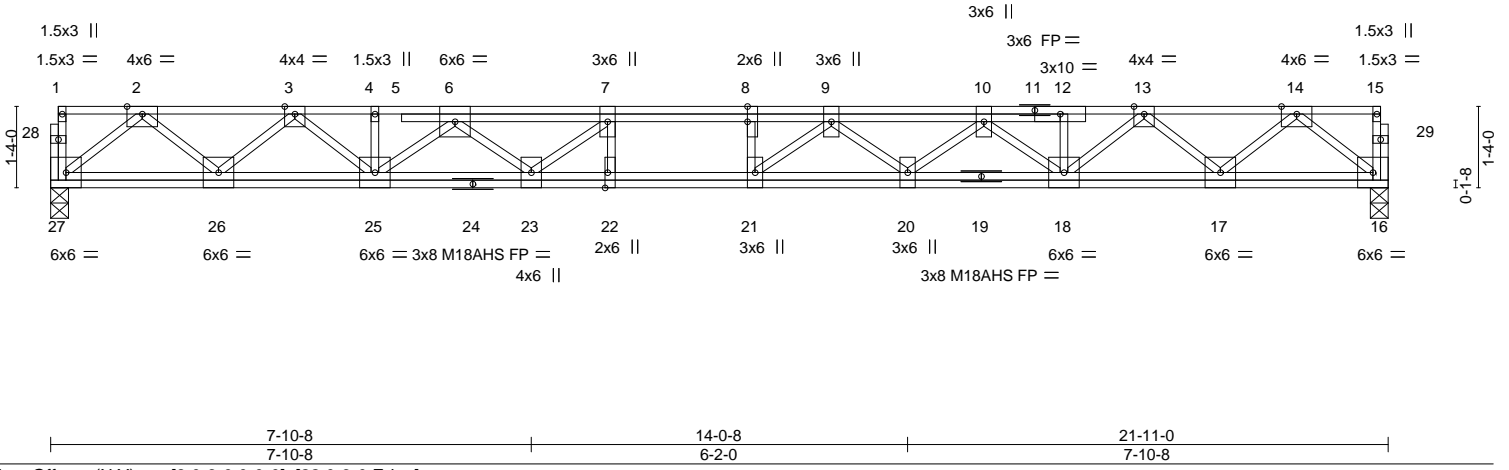
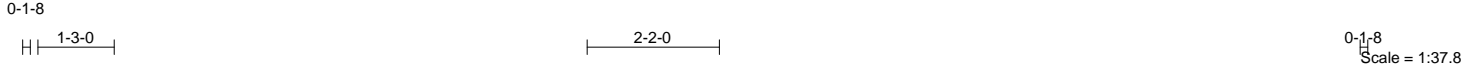


Plate Offsets (X,Y)--	[8:0-3-0,0-0-0], [22:0-3-0,Edge]				
LOADING (psf)	SPACING- 2-0-0	CSI.	DEFL. in (loc) l/defl L/d	PLATES	GRIP
TCLL 40.0	Plate Grip DOL 1.00	TC 0.37	Vert(LL) -0.33 21 >797 480	MT20	244/190
TCDL 10.0	Lumber DOL 1.00	BC 0.60	Vert(CT) -0.45 21 >579 360	M18AHS	186/179
BCLL 0.0	Rep Stress Incr YES	WB 0.64	Horz(CT) 0.06 16 n/a n/a		
BCDL 5.0	Code IRC2015/TP12014	Matrix-S		Weight: 158 lb	FT = 20%F, 11%E

LUMBER-	BRACING-
TOP CHORD 2x4 SP No.1(flat)	TOP CHORD Structural wood sheathing directly applied or 6-0-0 oc purlins, except end verticals.
BOT CHORD 2x4 SP No.1(flat)	BOT CHORD Rigid ceiling directly applied or 10-0-0 oc bracing.
WEBS 2x4 SP No.3(flat)	

REACTIONS. (size) 27=0-3-8, 16=0-3-8
Max Grav 27=1185(LC 1), 16=1185(LC 1)

FORCES. (lb) - Max. Comp./Max. Ten. - All forces 250 (lb) or less except when shown.
TOP CHORD 2-3=-2352/0, 3-4=-4056/0, 4-6=-4064/0, 6-7=-5383/0, 7-8=-5847/0, 8-9=-5847/0, 9-10=-5402/0, 10-12=-4085/0, 12-13=-4085/0, 13-14=-2350/0
BOT CHORD 26-27=0/1358, 25-26=0/3320, 23-25=0/4944, 22-23=0/5847, 21-22=0/5847, 20-21=0/5744, 18-20=0/5011, 17-18=0/3314, 16-17=0/1360
WEBS 2-27=-1765/0, 2-26=0/1348, 3-26=-1313/0, 3-25=0/978, 14-16=-1768/0, 14-17=0/1344, 13-17=-1307/0, 13-18=0/1024, 10-18=-1200/0, 10-20=0/518, 9-20=-508/0, 6-25=-1151/0, 6-23=0/707, 7-23=-889/0, 9-21=-301/635, 8-21=-272/53

- NOTES-**
- 1) Unbalanced floor live loads have been considered for this design.
 - 2) All plates are MT20 plates unless otherwise indicated.
 - 3) Plates checked for a plus or minus 1 degree rotation about its center.
 - 4) Recommend 2x6 strongbacks, on edge, spaced at 10-0-0 oc and fastened to each truss with 3-10d (0.131" X 3") nails. Strongbacks to be attached to walls at their outer ends or restrained by other means.



November 7, 2024

WARNING - Verify design parameters and READ NOTES ON THIS AND INCLUDED MITEK REFERENCE PAGE MII-7473 rev. 1/2/2023 BEFORE USE.
 Design valid for use only with MiTek® connectors. This design is based only upon parameters shown, and is for an individual building component, not a truss system. Before use, the building designer must verify the applicability of design parameters and properly incorporate this design into the overall building design. Bracing indicated is to prevent buckling of individual truss web and/or chord members only. Additional temporary and permanent bracing is always required for stability and to prevent collapse with possible personal injury and property damage. For general guidance regarding the fabrication, storage, delivery, erection and bracing of trusses and truss systems, see **ANSI/TPH Quality Criteria and DSB-22** available from Truss Plate Institute (www.tpinst.org) and **BCSI Building Component Safety Information** available from the Structural Building Component Association (www.sbcacomponents.com)

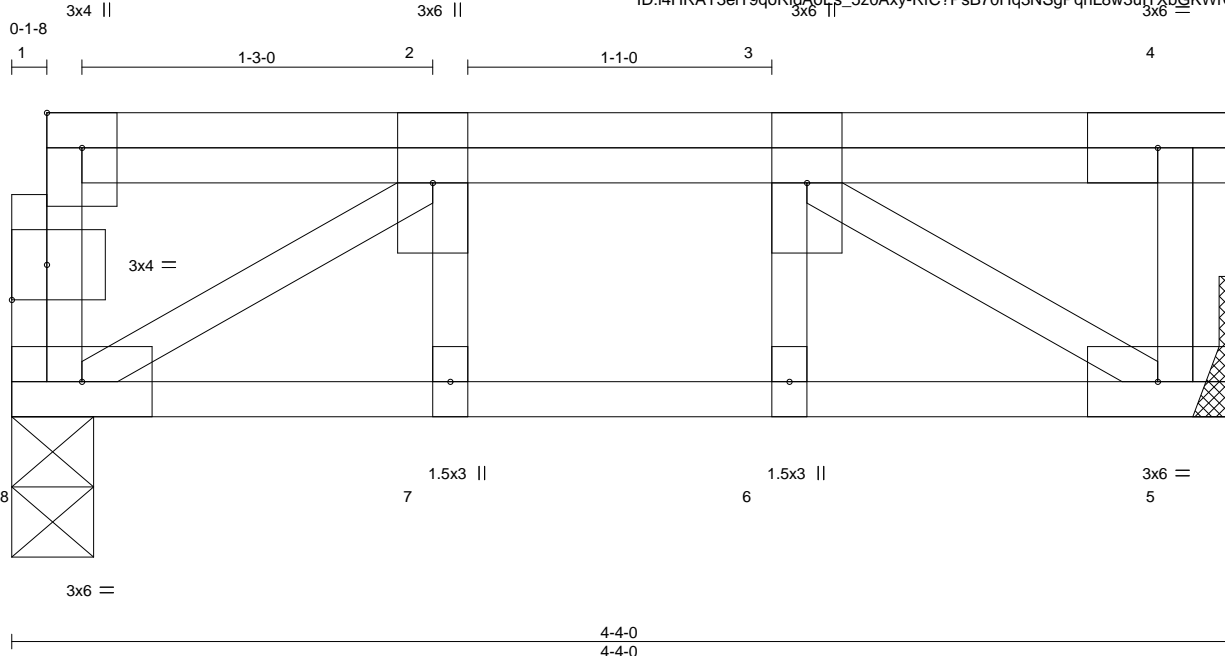
ENGINEERING BY
TRENCO
 A MiTek Affiliate
 818 Soundside Road
 Edenton, NC 27932

Job J1224-6810	Truss FG1	Truss Type Floor Girder	Qty 1	Ply 1	Lot 16 West Preserve Job Reference (optional)	I69436135
-------------------	--------------	----------------------------	----------	----------	--	-----------

Comtech, Inc. Fayetteville, NC - 28314,

8.630 s Sep 26 2024 MiTek Industries, Inc. Wed Nov 6 14:43:28 2024 Page 1

ID:I4HRAT3elT9qoRldAoEs_5z0Axy-RfC?PsB70Hq3NSgPqnL8w3uITXbGKWrCDoi7J4zJC?f



Scale = 1:8.2

Plate Offsets (X,Y)-- [1:Edge,0-1-8], [9:0-1-8,0-1-8]

LOADING (psf)	SPACING-	2-0-0	CSI.	DEFL.	in (loc)	l/defl	L/d	PLATES	GRIP
TCLL 40.0	Plate Grip DOL	1.00	TC 0.13	Vert(LL)	-0.01	6	>999	MT20	244/190
TCDL 10.0	Lumber DOL	1.00	BC 0.20	Vert(CT)	-0.01	6	>999		
BCLL 0.0	Rep Stress Incr	NO	WB 0.16	Horz(CT)	0.00	5	n/a		
BCDL 5.0	Code IRC2015/TPI2014		Matrix-S						
								Weight: 29 lb	FT = 20%F, 11%E

LUMBER-	BRACING-
TOP CHORD 2x4 SP No.1(flat)	TOP CHORD Structural wood sheathing directly applied or 4-4-0 oc purlins, except end verticals.
BOT CHORD 2x4 SP No.1(flat)	BOT CHORD Rigid ceiling directly applied or 10-0-0 oc bracing.
WEBS 2x4 SP No.3(flat)	

REACTIONS. (size) 8=0-3-8, 5=Mechanical
Max Grav 8=810(LC 1), 5=501(LC 1)

FORCES. (lb) - Max. Comp./Max. Ten. - All forces 250 (lb) or less except when shown.
TOP CHORD 1-8=-473/0, 2-3=-581/0
BOT CHORD 7-8=0/581, 6-7=0/581, 5-6=0/581
WEBS 3-5=-684/0, 2-8=-648/0

- NOTES-**
- 1) Unbalanced floor live loads have been considered for this design.
 - 2) Plates checked for a plus or minus 1 degree rotation about its center.
 - 3) Refer to girder(s) for truss to truss connections.
 - 4) Recommend 2x6 strongbacks, on edge, spaced at 10-0-0 oc and fastened to each truss with 3-10d (0.131" X 3") nails. Strongbacks to be attached to walls at their outer ends or restrained by other means.
 - 5) CAUTION, Do not erect truss backwards.

LOAD CASE(S) Standard
1) Dead + Floor Live (balanced): Lumber Increase=1.00, Plate Increase=1.00
Uniform Loads (plf)
Vert: 5-8=-10, 1-4=-100
Concentrated Loads (lb)
Vert: 1=-452 3=-417



November 7, 2024

WARNING - Verify design parameters and READ NOTES ON THIS AND INCLUDED MITEK REFERENCE PAGE MII-7473 rev. 1/2/2023 BEFORE USE.
Design valid for use only with MiTek® connectors. This design is based only upon parameters shown, and is for an individual building component, not a truss system. Before use, the building designer must verify the applicability of design parameters and properly incorporate this design into the overall building design. Bracing indicated is to prevent buckling of individual truss web and/or chord members only. Additional temporary and permanent bracing is always required for stability and to prevent collapse with possible personal injury and property damage. For general guidance regarding the fabrication, storage, delivery, erection and bracing of trusses and truss systems, see **ANSI/TPH Quality Criteria and DSB-22** available from Truss Plate Institute (www.tpinst.org) and **BCSI Building Component Safety Information** available from the Structural Building Component Association (www.sbcacomponents.com)

ENGINEERING BY
TRENCO
A MiTek Affiliate
818 Soundside Road
Edenton, NC 27932

Job J1224-6810	Truss FG2	Truss Type Floor Girder	Qty 1	Ply 1	Lot 16 West Preserve Job Reference (optional)	I69436136
-------------------	--------------	----------------------------	----------	----------	--	-----------

Comtech, Inc. Fayetteville, NC - 28314, 8.630 s Sep 26 2024 MiTek Industries, Inc. Wed Nov 6 14:43:28 2024 Page 1
 ID:14HRA3e1T9qoRldAoEs_5z0Axy-RfC?PsB70Hq3NSgPgnL8w3uITXbGKWrCDoi7J4zJC?f

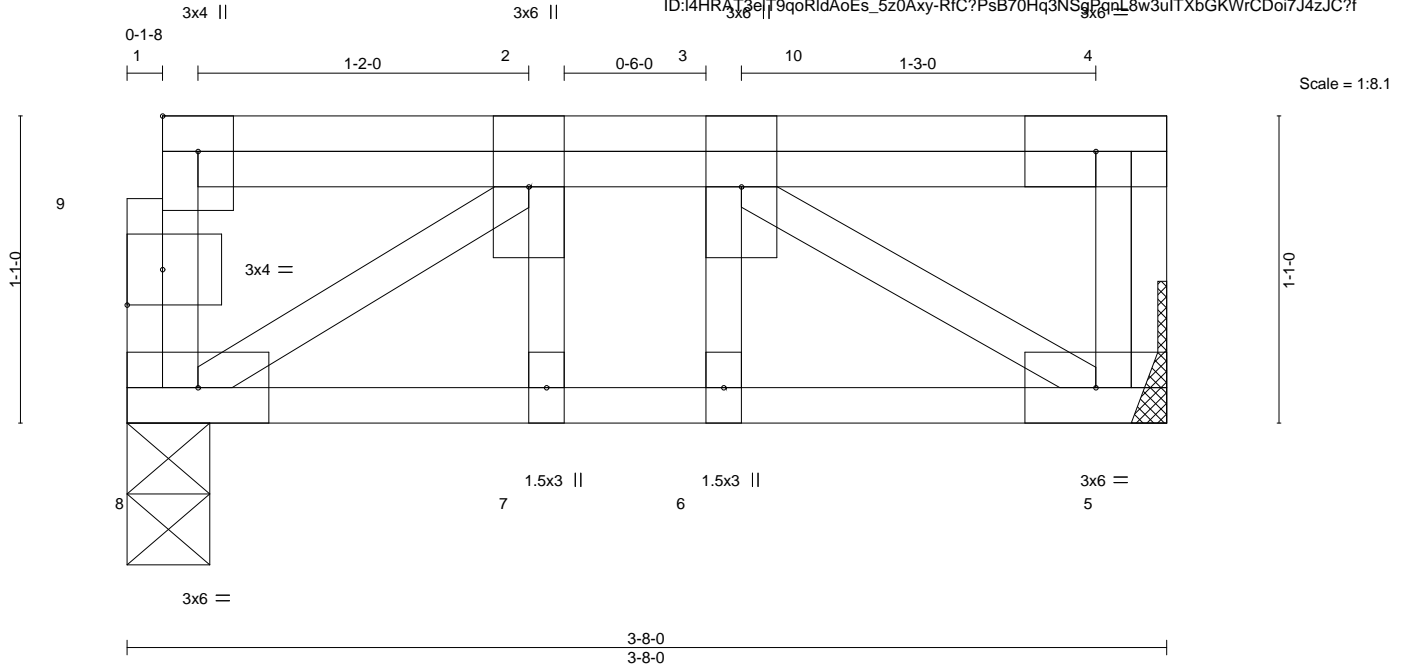


Plate Offsets (X, Y)--	[1:Edge,0-1-8], [9:0-1-8,0-1-8]				
LOADING (psf)	SPACING- 2-0-0	CSI.	DEFL. in (loc) l/defl L/d	PLATES	GRIP
TCLL 40.0	Plate Grip DOL 1.00	TC 0.36	Vert(LL) -0.01 6 >999 480	MT20	244/190
TCDL 10.0	Lumber DOL 1.00	BC 0.26	Vert(CT) -0.01 5-6 >999 360		
BCLL 0.0	Rep Stress Incr NO	WB 0.19	Horz(CT) 0.00 5 n/a n/a		
BCDL 5.0	Code IRC2015/TPI2014	Matrix-S		Weight: 26 lb	FT = 20%F, 11%E

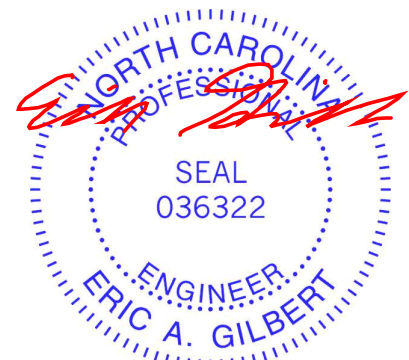
LUMBER-	BRACING-
TOP CHORD 2x4 SP No.1(flat)	TOP CHORD Structural wood sheathing directly applied or 3-8-0 oc purlins, except end verticals.
BOT CHORD 2x4 SP No.1(flat)	BOT CHORD Rigid ceiling directly applied or 10-0-0 oc bracing.
WEBS 2x4 SP No.3(flat)	

REACTIONS. (size) 8=0-3-8, 5=Mechanical
 Max Grav 8=1167(LC 1), 5=709(LC 1)

FORCES. (lb) - Max. Comp./Max. Ten. - All forces 250 (lb) or less except when shown.
 TOP CHORD 1-8=-764/0, 4-5=-268/0, 2-3=-672/0
 BOT CHORD 7-8=0/672, 6-7=0/672, 5-6=0/672
 WEBS 3-5=-792/0, 2-8=-747/0

NOTES-
 1) Unbalanced floor live loads have been considered for this design.
 2) Plates checked for a plus or minus 1 degree rotation about its center.
 3) Refer to girder(s) for truss to truss connections.
 4) Recommend 2x6 strongbacks, on edge, spaced at 10-0-0 oc and fastened to each truss with 3-10d (0.131" X 3") nails. Strongbacks to be attached to walls at their outer ends or restrained by other means.
 5) CAUTION, Do not erect truss backwards.

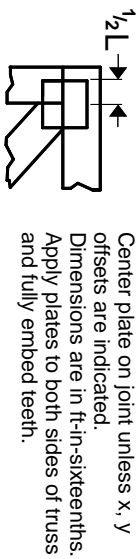
LOAD CASE(S) Standard
 1) Dead + Floor Live (balanced): Lumber Increase=1.00, Plate Increase=1.00
 Uniform Loads (plf)
 Vert: 5-8=-10, 1-4=-100
 Concentrated Loads (lb)
 Vert: 1=-771 10=-735



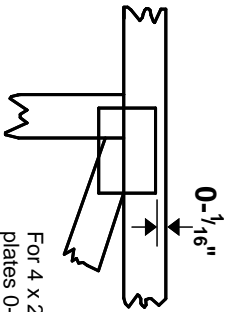
November 7, 2024

Symbols

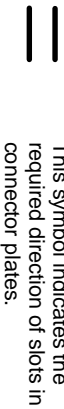
PLATE LOCATION AND ORIENTATION



Center plate on joint unless x, y offsets are indicated. Dimensions are in ft-in-sixteenths. Apply plates to both sides of truss and fully embed teeth.



For 4 x 2 orientation, locate plates 0- 1/16\" from outside edge of truss.



* Plate location details available in MITek software or upon request.

PLATE SIZE

4 X 4

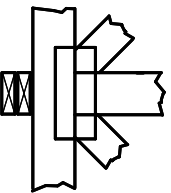
The first dimension is the plate width measured perpendicular to slots. Second dimension is the length parallel to slots.

LATERAL BRACING LOCATION



Indicated by symbol shown and/or by text in the bracing section of the output. Use T or I bracing if indicated.

BEARING

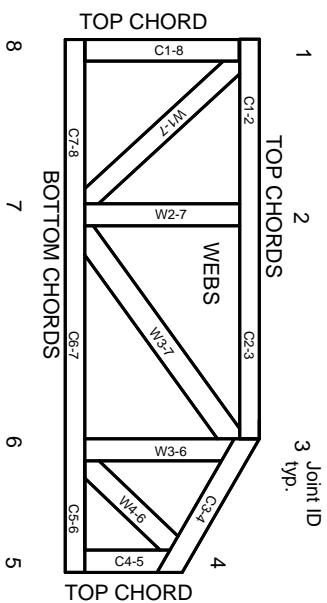


Indicates location where bearings (supports) occur. Icons vary but reaction section indicates joint number/letter where bearings occur. Min size shown is for crushing only.

Industry Standards:

ANSI/TP1: National Design Specification for Metal Plate Connected Wood Truss Construction.
DSB-22: Design Standard for Bracing.
BCSI: Building Component Safety Information, Guide to Good Practice for Handling, Installing, Restraining & Bracing of Metal Plate Connected Wood Trusses.

Numbering System



JOINTS ARE GENERALLY NUMBERED/LETTERED CLOCKWISE AROUND THE TRUSS STARTING AT THE JOINT FARTHEST TO THE LEFT.

CHORDS AND WEBS ARE IDENTIFIED BY END JOINT NUMBERS/LETTERS.

Product Code Approvals

ICC-ES Reports:

ESR-1988, ESR-2362, ESR-2685, ESR-3282
ESR-4722, ESL-1388

Design General Notes

Trusses are designed for wind loads in the plane of the truss unless otherwise shown.

Lumber design values are in accordance with ANSI/TP1 section 6.3. These truss designs rely on Lumber values established by others.

© 2023 MITek® All Rights Reserved

MITek

ENGINEERING BY
TRENGO
A MITek Affiliate

MITek Engineering Reference Sheet: MIL-7473 rev. 1/2/2023

General Safety Notes

Failure to Follow Could Cause Property Damage or Personal Injury

1. Additional stability/bracing for truss system, e.g. diagonal or X-bracing, is always required. See BCSI.
2. Truss bracing must be designed by an engineer. For wide truss spacing, individual lateral braces themselves may require bracing, or alternative Tor I bracing should be considered.
3. Never exceed the design loading shown and never stack materials on inadequately braced trusses.
4. Provide copies of this truss design to the building designer, erection supervisor, property owner and all other interested parties.
5. Cut members to bear tightly against each other.
6. Place plates on each face of truss at each joint and embed fully. Knots and wane at joint locations are regulated by ANSI/TP1 1.
7. Design assumes trusses will be suitably protected from the environment in accord with ANSI/TP1 1.
8. Unless otherwise noted, moisture content of lumber shall not exceed 19% at time of fabrication.
9. Unless expressly noted, this design is not applicable for use with fire retardant, preservative treated, or green lumber.
10. Camber is a non-structural consideration and is the responsibility of truss fabricator. General practice is to camber for dead load deflection.
11. Plate type, size, orientation and location dimensions indicated are minimum plating requirements.
12. Lumber used shall be of the species and size, and in all respects, equal to or better than that specified.
13. Top chords must be sheathed or purlins provided at spacing indicated on design.
14. Bottom chords require lateral bracing at 10 ft. spacing, or less, if no ceiling is installed, unless otherwise noted.
15. Connections not shown are the responsibility of others.
16. Do not cut or alter truss member or plate without prior approval of an engineer.
17. Install and load vertically unless indicated otherwise.
18. Use of green or treated lumber may pose unacceptable environmental, health or performance risks. Consult with project engineer before use.
19. Review all portions of this design (front, back, words and pictures) before use. Reviewing pictures alone is not sufficient.
20. Design assumes manufacture in accordance with ANSI/TP1 1 Quality Criteria.
21. The design does not take into account any dynamic or other loads other than those expressly stated.