

RE: J1224-6950  
 Lot 61 Magnolia Hills

**Trenco**  
 818 Soundside Rd  
 Edenton, NC 27932

**Site Information:**

Customer: Project Name: J1224-6950  
 Lot/Block: Model:  
 Address: Subdivision:  
 City: State:

**General Truss Engineering Criteria & Design Loads (Individual Truss Design Drawings Show Special Loading Conditions):**

Design Code: IRC2015/TPI2014 Design Program: MiTek 20/20 8.4  
 Wind Code: ASCE 7-10 Wind Speed: 130 mph  
 Roof Load: 40.0 psf Floor Load: N/A psf

This package includes 23 individual, dated Truss Design Drawings and 0 Additional Drawings.

No.	Seal#	Truss Name	Date	No.	Seal#	Truss Name	Date
1	I64635009	A1	4/2/2024	21	I64635029	V4	4/2/2024
2	I64635010	A1GE	4/2/2024	22	I64635030	V5	4/2/2024
3	I64635011	A2	4/2/2024	23	I64635031	V6	4/2/2024
4	I64635012	A3	4/2/2024				
5	I64635013	A3GE	4/2/2024				
6	I64635014	B1GE	4/2/2024				
7	I64635015	B2	4/2/2024				
8	I64635016	C1	4/2/2024				
9	I64635017	C1-GR	4/2/2024				
10	I64635018	C1GE	4/2/2024				
11	I64635019	G1	4/2/2024				
12	I64635020	G1GE	4/2/2024				
13	I64635021	J1	4/2/2024				
14	I64635022	J2	4/2/2024				
15	I64635023	J2GE	4/2/2024				
16	I64635024	J3	4/2/2024				
17	I64635025	J3GE	4/2/2024				
18	I64635026	V1	4/2/2024				
19	I64635027	V2	4/2/2024				
20	I64635028	V3	4/2/2024				

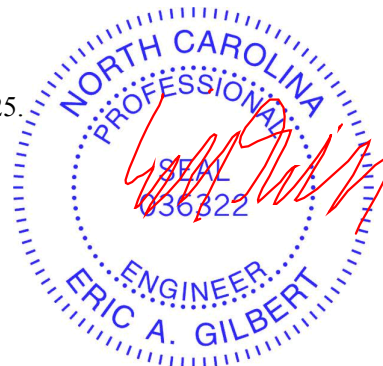
The truss drawing(s) referenced above have been prepared by Truss Engineering Co. under my direct supervision based on the parameters provided by Comtech, Inc - Fayetteville.

Truss Design Engineer's Name: Gilbert, Eric

My license renewal date for the state of North Carolina is December 31, 2025.

North Carolina COA: C-0844

IMPORTANT NOTE: The seal on these truss component designs is a certification that the engineer named is licensed in the jurisdiction(s) identified and that the designs comply with ANSI/TPI 1. These designs are based upon parameters shown (e.g., loads, supports, dimensions, shapes and design codes), which were given to TRENCO. Any project specific information included is for TRENCO customers file reference purpose only, and was not taken into account in the preparation of these designs. TRENCO has not independently verified the applicability of the design parameters or the designs for any particular building. Before use, the building designer should verify applicability of design parameters and properly incorporate these designs into the overall building design per ANSI/TPI 1, Chapter 2.



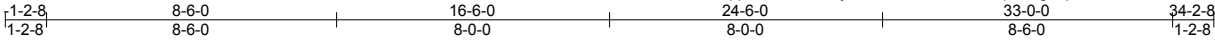
April 02, 2024

Job J1224-6950	Truss A1	Truss Type COMMON	Qty 6	Ply 1	Lot 61 Magnolia Hills Job Reference (optional)	I64635009
-------------------	-------------	----------------------	----------	----------	---	-----------

Comtech, Inc. Fayetteville, NC - 28314,

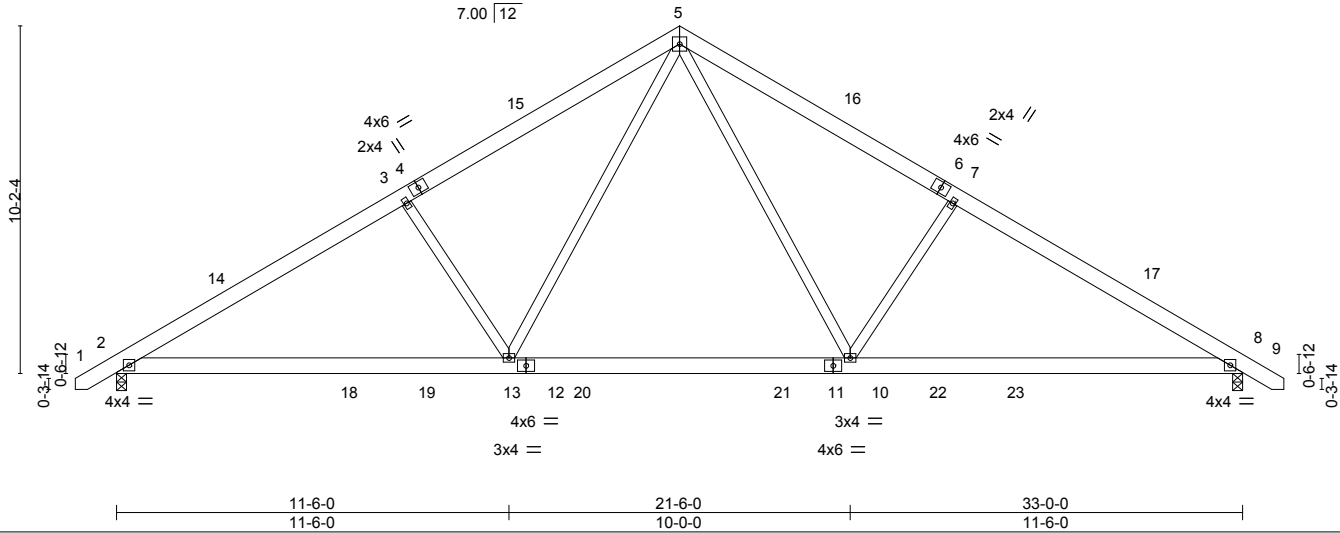
8.430 s Jan 6 2022 MiTek Industries, Inc. Tue Apr 2 11:07:59 2024 Page 1

ID:aTXuLo?nW09qtpROz2WQ0wydkZW-RfC?PsB70Hq3NSgPqnL8w3ulTXbGKWrCDoi7J4zJC?f



5x5 =

Scale = 1:67.5



LOADING (psf)	SPACING-	2-0-0	CSI.	DEFL.	in (loc)	l/defl	L/d	PLATES	GRIP
TCLL 20.0	Plate Grip DOL	1.15	TC 0.30	Vert(LL)	-0.15 10-13	>999	360	MT20	244/190
TCDL 10.0	Lumber DOL	1.15	BC 0.53	Vert(CT)	-0.26 8-10	>999	240		
BCLL 0.0 *	Rep Stress Incr	YES	WB 0.31	Horz(CT)	0.05 8	n/a	n/a		
BCDL 10.0	Code IRC2015/TPI2014		Matrix-S	Wind(LL)	0.05 2-13	>999	240		
								Weight: 221 lb	FT = 20%

**LUMBER-**  
 TOP CHORD 2x6 SP No.1  
 BOT CHORD 2x6 SP No.1  
 WEBS 2x4 SP No.2

**BRACING-**  
 TOP CHORD Structural wood sheathing directly applied or 4-11-2 oc purlins.  
 BOT CHORD Rigid ceiling directly applied or 10-0-0 oc bracing.

**REACTIONS.** (size) 2=0-3-8, 8=0-3-8  
 Max Horz 2=245(LC 11)  
 Max Uplift 2=91(LC 12), 8=91(LC 13)  
 Max Grav 2=1525(LC 19), 8=1525(LC 20)

**FORCES.** (lb) - Max. Comp./Max. Ten. - All forces 250 (lb) or less except when shown.  
 TOP CHORD 2-3=-2295/423, 3-5=-2090/464, 5-7=-2091/464, 7-8=-2296/423  
 BOT CHORD 2-13=-222/2070, 10-13=-9/1347, 8-10=-233/1886  
 WEBS 3-13=-544/300, 5-13=-140/991, 5-10=-139/991, 7-10=-544/300

- NOTES-**
- 1) Unbalanced roof live loads have been considered for this design.
  - 2) Wind: ASCE 7-10; Vult=130mph Vasd=103mph; TCDL=6.0psf; BCDL=6.0psf; h=15ft; Cat. II; Exp C; Enclosed; MWFRS (envelope) and C-C Exterior(2) -1-0-6 to 3-4-7, Interior(1) 3-4-7 to 16-6-0, Exterior(2) 16-6-0 to 20-10-13, Interior(1) 20-10-13 to 34-0-6 zone;C-C for members and forces & MWFRS for reactions shown; Lumber DOL=1.60 plate grip DOL=1.60
  - 3) This truss has been designed for a 10.0 psf bottom chord live load nonconcurrent with any other live loads.
  - 4) \* This truss has been designed for a live load of 30.0psf on the bottom chord in all areas where a rectangle 3-6-0 tall by 2-0-0 wide will fit between the bottom chord and any other members, with BCDL = 10.0psf.
  - 5) Provide mechanical connection (by others) of truss to bearing plate capable of withstanding 91 lb uplift at joint 2 and 91 lb uplift at joint 8.



April 2, 2024

**WARNING - Verify design parameters and READ NOTES ON THIS AND INCLUDED MITEK REFERENCE PAGE MII-7473 rev. 1/2/2023 BEFORE USE.**  
 Design valid for use only with MiTek® connectors. This design is based only upon parameters shown, and is for an individual building component, not a truss system. Before use, the building designer must verify the applicability of design parameters and properly incorporate this design into the overall building design. Bracing indicated is to prevent buckling of individual truss web and/or chord members only. Additional temporary and permanent bracing is always required for stability and to prevent collapse with possible personal injury and property damage. For general guidance regarding the fabrication, storage, delivery, erection and bracing of trusses and truss systems, see **ANSI/TPI1 Quality Criteria and DSB-22** available from Truss Plate Institute (www.tpinst.org) and **BCSI Building Component Safety Information** available from the Structural Building Component Association (www.sbcacomponents.com)



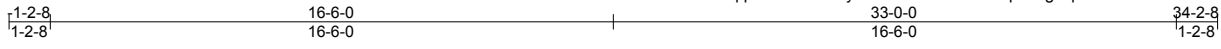
818 Soundside Road  
 Edenton, NC 27932

Job J1224-6950	Truss A1GE	Truss Type GABLE	Qty 1	Ply 1	Lot 61 Magnolia Hills Job Reference (optional)	164635010
-------------------	---------------	---------------------	----------	----------	---	-----------

Comtech, Inc. Fayetteville, NC - 28314,

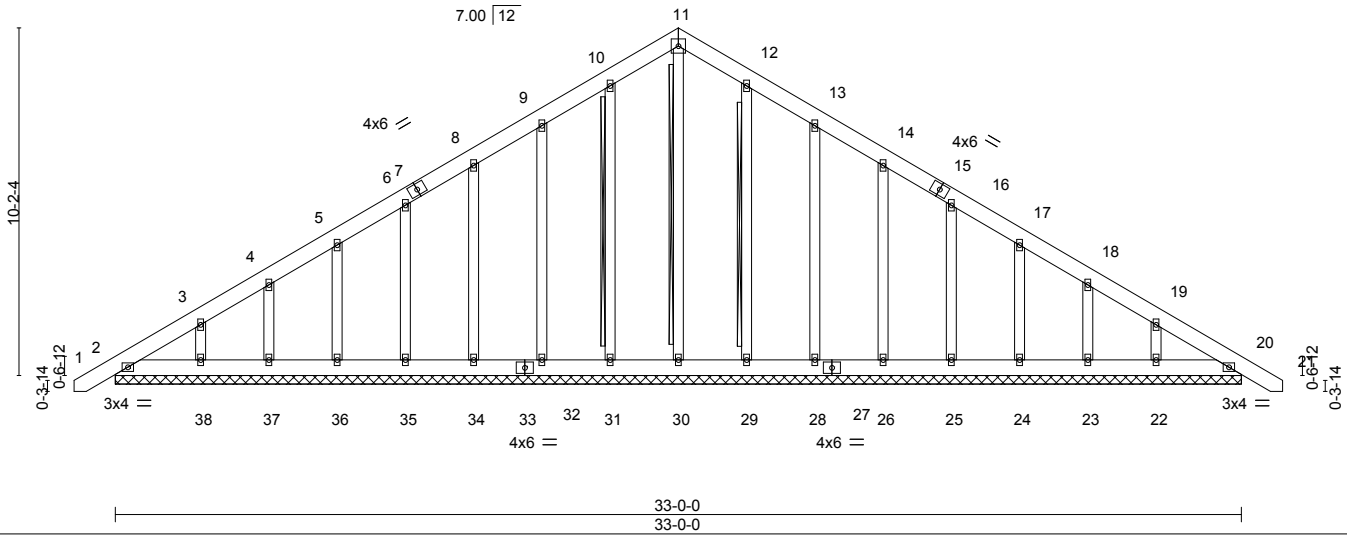
8.430 s Jan 6 2022 MiTek Industries, Inc. Tue Apr 2 11:08:00 2024 Page 1

ID:aTXuLo?nW09qtpROz2WQ0wydkZW-RfC?PsB70Hq3NSgPqnL8w3uITXbGKWrCDoi7J4zJC?f



5x5 =

Scale = 1:67.5



LOADING (psf)	SPACING-	2-0-0	CSI.	DEFL.	in (loc)	l/defl	L/d	PLATES	GRIP
TCLL 20.0	Plate Grip DOL	1.15	TC 0.04	Vert(LL)	-0.00	20	n/r	MT20	244/190
TCDL 10.0	Lumber DOL	1.15	BC 0.02	Vert(CT)	0.00	20	n/r		
BCLL 0.0 *	Rep Stress Incr	YES	WB 0.13	Horz(CT)	0.01	20	n/a		
BCDL 10.0	Code IRC2015/TPI2014		Matrix-S					Weight: 283 lb	FT = 20%

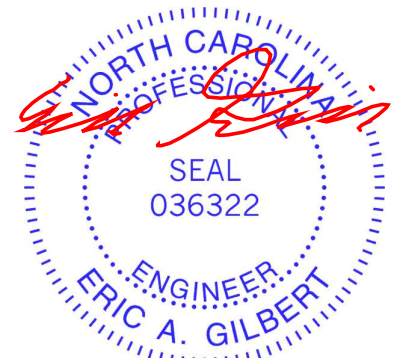
**LUMBER-**  
 TOP CHORD 2x6 SP No.1  
 BOT CHORD 2x6 SP No.1  
 OTHERS 2x4 SP No.2

**BRACING-**  
 TOP CHORD Structural wood sheathing directly applied or 6-0-0 oc purlins.  
 BOT CHORD Rigid ceiling directly applied or 10-0-0 oc bracing.  
 WEBS T-Brace: 2x4 SPF No.2 - 11-30, 10-31, 12-29  
 Fasten (2X) T and I braces to narrow edge of web with 10d (0.131"x3") nails, 6in o.c., with 3in minimum end distance.  
 Brace must cover 90% of web length.

**REACTIONS.** All bearings 33-0-0.  
 (lb) - Max Horz 2=306(LC 11)  
 Max Uplift All uplift 100 lb or less at joint(s) 2, 20, 31, 32, 34, 35, 36, 37, 38, 29, 28, 26, 25, 24, 23, 22  
 Max Grav All reactions 250 lb or less at joint(s) 2, 20, 30, 31, 32, 34, 35, 36, 37, 38, 29, 28, 26, 25, 24, 23, 22

**FORCES.** (lb) - Max. Comp./Max. Ten. - All forces 250 (lb) or less except when shown.  
 TOP CHORD 2-3=-277/226, 10-11=-242/277, 11-12=-242/277

- NOTES-**
- Unbalanced roof live loads have been considered for this design.
  - Wind: ASCE 7-10; Vult=130mph Vasd=103mph; TC DL=6.0psf; BCDL=6.0psf; h=15ft; Cat. II; Exp C; Enclosed; MWFRS (envelope) gable end zone and C-C Exterior(2) zone; C-C for members and forces & MWFRS for reactions shown; Lumber DOL=1.60 plate grip DOL=1.60
  - Truss designed for wind loads in the plane of the truss only. For studs exposed to wind (normal to the face), see Standard Industry Gable End Details as applicable, or consult qualified building designer as per ANSI/TPI 1.
  - All plates are 2x4 MT20 unless otherwise indicated.
  - Gable requires continuous bottom chord bearing.
  - Gable studs spaced at 2-0-0 oc.
  - This truss has been designed for a 10.0 psf bottom chord live load nonconcurrent with any other live loads.
  - \* This truss has been designed for a live load of 30.0psf on the bottom chord in all areas where a rectangle 3-6-0 tall by 2-0-0 wide will fit between the bottom chord and any other members.
  - Provide mechanical connection (by others) of truss to bearing plate capable of withstanding 100 lb uplift at joint(s) 2, 20, 31, 32, 34, 35, 36, 37, 38, 29, 28, 26, 25, 24, 23, 22.
  - Warning: Additional permanent and stability bracing for truss system (not part of this component design) is always required.



April 2, 2024

**WARNING - Verify design parameters and READ NOTES ON THIS AND INCLUDED MITEK REFERENCE PAGE MII-7473 rev. 1/2/2023 BEFORE USE.**  
 Design valid for use only with MiTek® connectors. This design is based only upon parameters shown, and is for an individual building component, not a truss system. Before use, the building designer must verify the applicability of design parameters and properly incorporate this design into the overall building design. Bracing indicated is to prevent buckling of individual truss web and/or chord members only. Additional temporary and permanent bracing is always required for stability and to prevent collapse with possible personal injury and property damage. For general guidance regarding the fabrication, storage, delivery, erection and bracing of trusses and truss systems, see **ANSI/TPI1 Quality Criteria and DSB-22** available from Truss Plate Institute (www.tpinst.org) and **BCSI Building Component Safety Information** available from the Structural Building Component Association (www.sbcacomponents.com)



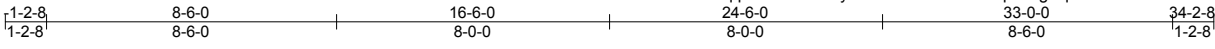
818 Soundside Road  
 Edenton, NC 27932

Job J1224-6950	Truss A2	Truss Type COMMON	Qty 4	Ply 1	Lot 61 Magnolia Hills Job Reference (optional)	I64635011
-------------------	-------------	----------------------	----------	----------	---	-----------

Comtech, Inc. Fayetteville, NC - 28314,

8.430 s Jan 6 2022 MiTek Industries, Inc. Tue Apr 2 11:08:01 2024 Page 1

ID:aTXuLo?nW09qtpROz2WQ0wydkZW-RfC?PsB70Hq3NSgPqnL8w3ulTXbGKWrCDoi7J4zJC?f



5x5 =

Scale = 1:67.5

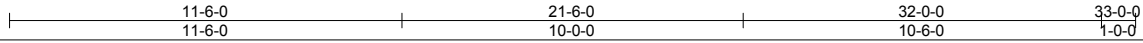
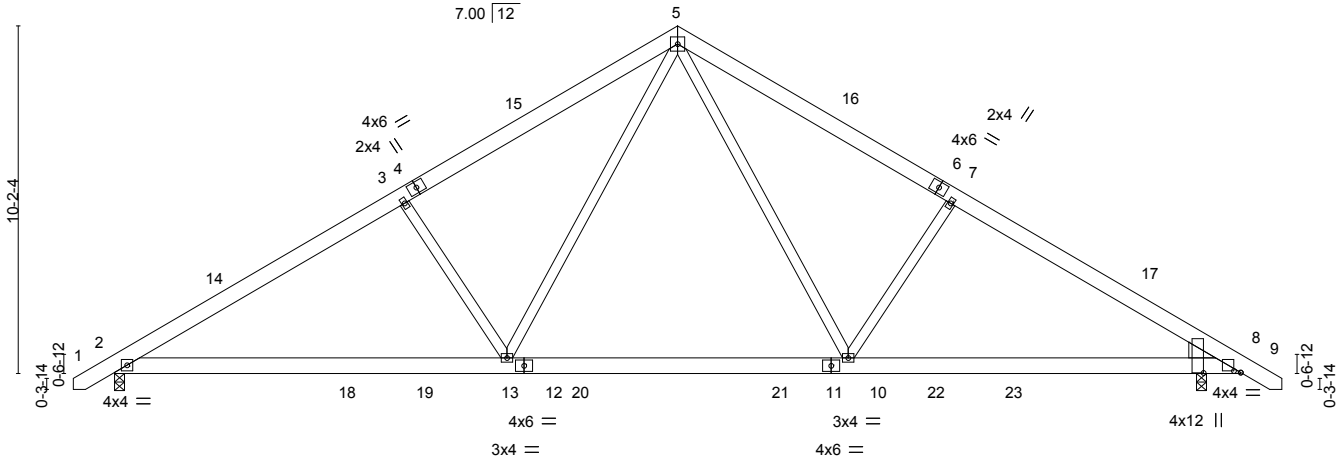


Plate Offsets (X, Y)--	[8:0-2-6,0-0-9], [8:0-0-2,1-1-1]					
<b>LOADING</b> (psf)	<b>SPACING-</b> 2-0-0	<b>CSI.</b>	<b>DEFL.</b> in (loc) l/defl L/d	<b>PLATES</b>	<b>GRIP</b>	
TCLL 20.0	Plate Grip DOL 1.15	TC 0.65	Vert(LL) -0.15 10-13 >999 360	MT20	244/190	
TCDL 10.0	Lumber DOL 1.15	BC 0.60	Vert(CT) -0.26 8-10 >999 240			
BCLL 0.0 *	Rep Stress Incr YES	WB 0.31	Horz(CT) 0.05 8 n/a n/a			
BCDL 10.0	Code IRC2015/TPI2014	Matrix-S	Wind(LL) 0.05 2-13 >999 240			
				Weight: 223 lb	FT = 20%	

**LUMBER-**  
 TOP CHORD 2x6 SP No.1  
 BOT CHORD 2x6 SP No.1  
 WEBS 2x4 SP No.2  
 WEDGE  
 Right: 2x6 SP No.1

**BRACING-**  
 TOP CHORD Structural wood sheathing directly applied or 4-11-2 oc purlins.  
 BOT CHORD Rigid ceiling directly applied or 10-0-0 oc bracing.

**REACTIONS.** (size) 2=0-3-8, 8=0-3-8  
 Max Horz 2=245(LC 11)  
 Max Uplift 2=-91(LC 12), 8=-91(LC 13)  
 Max Grav 2=1525(LC 19), 8=1525(LC 20)

**FORCES.** (lb) - Max. Comp./Max. Ten. - All forces 250 (lb) or less except when shown.  
 TOP CHORD 2-3=-2295/423, 3-5=-2090/464, 5-7=-2091/464, 7-8=-2296/423  
 BOT CHORD 2-13=-222/2070, 10-13=-9/1347, 8-10=-233/1886  
 WEBS 3-13=-544/300, 5-13=-140/991, 5-10=-139/991, 7-10=-544/300

- NOTES-**
- Unbalanced roof live loads have been considered for this design.
  - Wind: ASCE 7-10; Vult=130mph Vasd=103mph; TCDL=6.0psf; BCDL=6.0psf; h=15ft; Cat. II; Exp C; Enclosed; MWFRS (envelope) and C-C Exterior(2) -1-0-6 to 3-4-7, Interior(1) 3-4-7 to 16-6-0, Exterior(2) 16-6-0 to 20-10-13, Interior(1) 20-10-13 to 34-0-6 zone; cantilever right exposed ;C-C for members and forces & MWFRS for reactions shown; Lumber DOL=1.60 plate grip DOL=1.60
  - This truss has been designed for a 10.0 psf bottom chord live load nonconcurrent with any other live loads.
  - \* This truss has been designed for a live load of 30.0psf on the bottom chord in all areas where a rectangle 3-6-0 tall by 2-0-0 wide will fit between the bottom chord and any other members, with BCDL = 10.0psf.
  - Provide mechanical connection (by others) of truss to bearing plate capable of withstanding 100 lb uplift at joint(s) 2, 8.



April 2, 2024

**WARNING - Verify design parameters and READ NOTES ON THIS AND INCLUDED MITEK REFERENCE PAGE MII-7473 rev. 1/2/2023 BEFORE USE.**  
 Design valid for use only with MiTek® connectors. This design is based only upon parameters shown, and is for an individual building component, not a truss system. Before use, the building designer must verify the applicability of design parameters and properly incorporate this design into the overall building design. Bracing indicated is to prevent buckling of individual truss web and/or chord members only. Additional temporary and permanent bracing is always required for stability and to prevent collapse with possible personal injury and property damage. For general guidance regarding the fabrication, storage, delivery, erection and bracing of trusses and truss systems, see **ANSI/TPI1 Quality Criteria and DSB-22** available from Truss Plate Institute (www.tpinst.org) and **BCSI Building Component Safety Information** available from the Structural Building Component Association (www.sbcacomponents.com)



818 Soundside Road  
 Edenton, NC 27932

Job J1224-6950	Truss A3	Truss Type COMMON	Qty 9	Ply 1	Lot 61 Magnolia Hills Job Reference (optional)	I64635012
-------------------	-------------	----------------------	----------	----------	---	-----------

Comtech, Inc. Fayetteville, NC - 28314,

8.430 s Jan 6 2022 MiTek Industries, Inc. Tue Apr 2 11:08:02 2024 Page 1

ID:aTXuLo?nW09qtpROz2WQ0wydkZW-RfC?PsB70Hq3NSgPqnL8w3ulTXbGKWrcDoi7J4zJC?f



5x5 =

Scale = 1:66.2

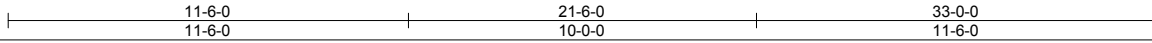
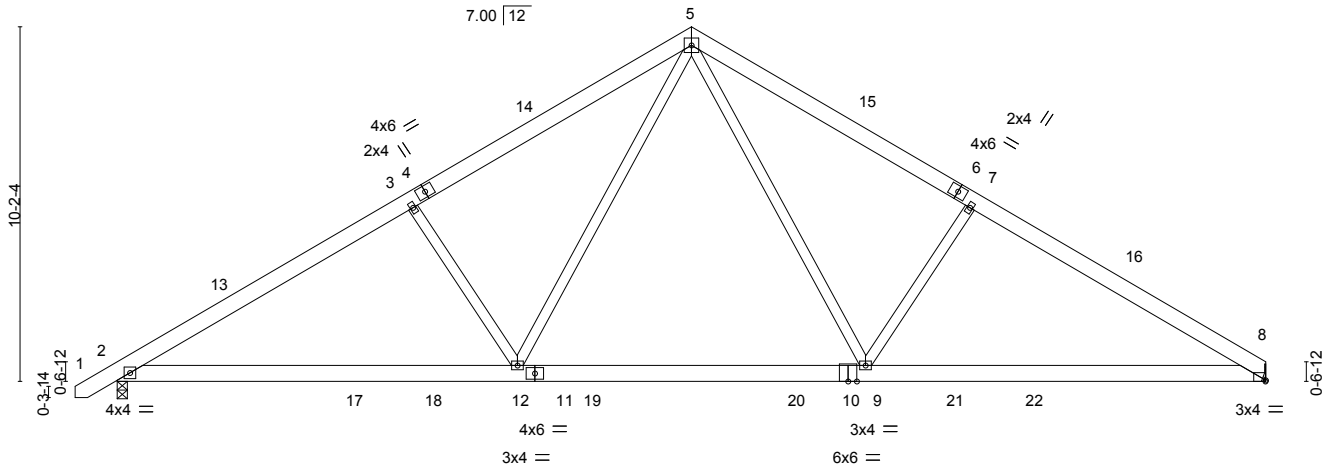


Plate Offsets (X,Y)-- [8:0-0-2,Edge]

<b>LOADING</b> (psf)	<b>SPACING-</b>	2-0-0	<b>CSI.</b>	<b>DEFL.</b>	in (loc)	l/defl	L/d	<b>PLATES</b>	<b>GRIP</b>
TCLL 20.0	Plate Grip DOL	1.15	TC 0.32	Vert(LL)	-0.15	9-12	>999	MT20	244/190
TCDL 10.0	Lumber DOL	1.15	BC 0.54	Vert(CT)	-0.27	8-9	>999		
BCLL 0.0 *	Rep Stress Incr	YES	WB 0.32	Horz(CT)	0.05	8	n/a		
BCDL 10.0	Code IRC2015/TPI2014		Matrix-S	Wind(LL)	0.05	2-12	>999		
								Weight: 218 lb	FT = 20%

**LUMBER-**  
TOP CHORD 2x6 SP No.1  
BOT CHORD 2x6 SP No.1  
WEBS 2x4 SP No.2

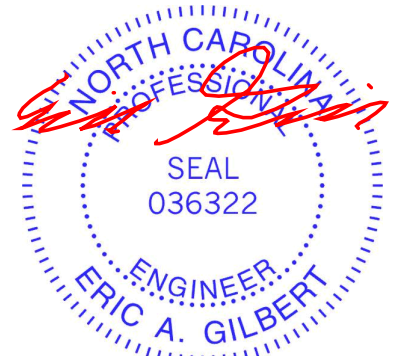
**BRACING-**  
TOP CHORD Structural wood sheathing directly applied or 4-10-2 oc purlins.  
BOT CHORD Rigid ceiling directly applied or 10-0-0 oc bracing.

**REACTIONS.** (size) 2=0-3-8, 8=Mechanical  
Max Horz 2=241(LC 11)  
Max Uplift 2=-91(LC 12), 8=-75(LC 13)  
Max Grav 2=1529(LC 19), 8=1461(LC 20)

**FORCES.** (lb) - Max. Comp./Max. Ten. - All forces 250 (lb) or less except when shown.  
TOP CHORD 2-3=-2303/425, 3-5=-2098/466, 5-7=-2112/480, 7-8=-2319/440  
BOT CHORD 2-12=-255/2070, 9-12=-30/1348, 8-9=-260/1916  
WEBS 3-12=-545/300, 5-12=-141/990, 5-9=-144/1011, 7-9=-555/308

**NOTES-**

- 1) Unbalanced roof live loads have been considered for this design.
- 2) Wind: ASCE 7-10; Vult=130mph Vasd=103mph; TCDL=6.0psf; BCDL=6.0psf; h=15ft; Cat. II; Exp C; Enclosed; MWFRS (envelope) and C-C Exterior(2) -1-0-6 to 3-4-7, Interior(1) 3-4-7 to 16-6-0, Exterior(2) 16-6-0 to 20-10-13, Interior(1) 20-10-13 to 32-11-4 zone; C-C for members and forces & MWFRS for reactions shown; Lumber DOL=1.60 plate grip DOL=1.60
- 3) This truss has been designed for a 10.0 psf bottom chord live load nonconcurrent with any other live loads.
- 4) \* This truss has been designed for a live load of 30.0psf on the bottom chord in all areas where a rectangle 3-6-0 tall by 2-0-0 wide will fit between the bottom chord and any other members, with BCDL = 10.0psf.
- 5) Refer to girder(s) for truss to truss connections.
- 6) Provide mechanical connection (by others) of truss to bearing plate capable of withstanding 100 lb uplift at joint(s) 2, 8.



April 2, 2024

**WARNING - Verify design parameters and READ NOTES ON THIS AND INCLUDED MITEK REFERENCE PAGE MII-7473 rev. 1/2/2023 BEFORE USE.**

Design valid for use only with MiTek® connectors. This design is based only upon parameters shown, and is for an individual building component, not a truss system. Before use, the building designer must verify the applicability of design parameters and properly incorporate this design into the overall building design. Bracing indicated is to prevent buckling of individual truss web and/or chord members only. Additional temporary and permanent bracing is always required for stability and to prevent collapse with possible personal injury and property damage. For general guidance regarding the fabrication, storage, delivery, erection and bracing of trusses and truss systems, see **ANSI/TP1 Quality Criteria and DSB-22** available from Truss Plate Institute (www.tpinst.org) and **BCSI Building Component Safety Information** available from the Structural Building Component Association (www.sbcacomponents.com)



818 Soundside Road  
Edenton, NC 27932

Job J1224-6950	Truss A3GE	Truss Type GABLE	Qty 1	Ply 1	Lot 61 Magnolia Hills Job Reference (optional)	I64635013
-------------------	---------------	---------------------	----------	----------	---	-----------

Comtech, Inc. Fayetteville, NC - 28314,

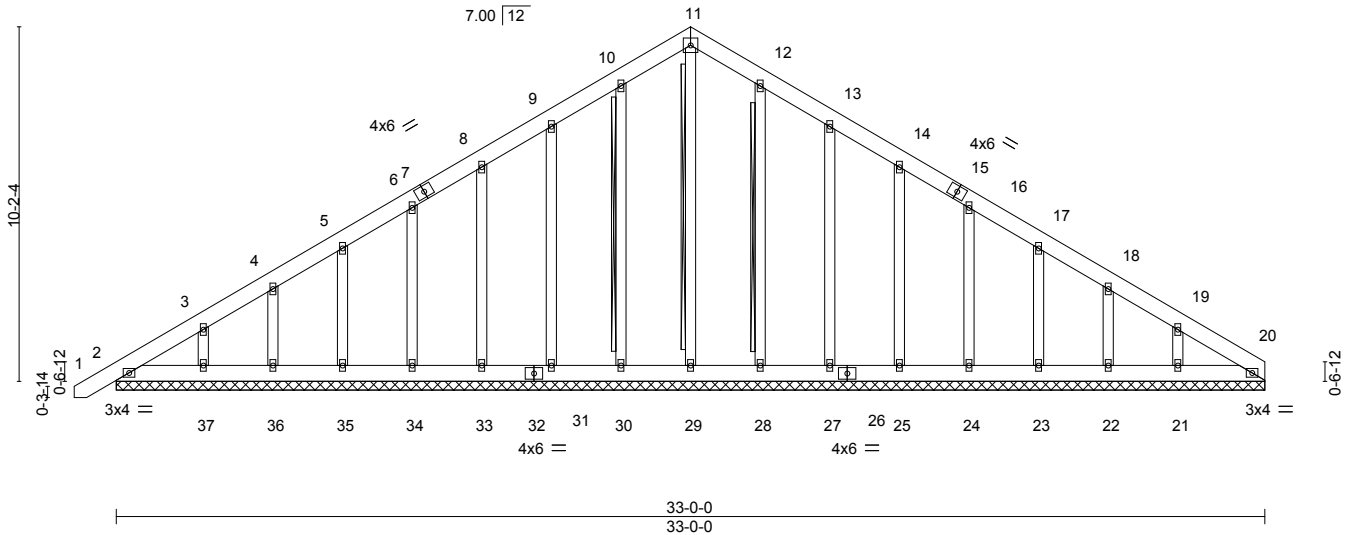
8.430 s Jan 6 2022 MiTek Industries, Inc. Tue Apr 2 11:08:03 2024 Page 1

ID:aTXuLo?nW09qtpROz2WQ0wydkZW-RfC?PsB70Hq3NSgPqnL8w3ulTXbGKWrCDoi7J4zJC?f



5x5 =

Scale = 1:66.2



LOADING (psf)	SPACING-	2-0-0	CSI.	DEFL.	in (loc)	l/defl	L/d	PLATES	GRIP
TCLL 20.0	Plate Grip DOL	1.15	TC 0.04	Vert(LL)	-0.00	1	n/r	MT20	244/190
TCDL 10.0	Lumber DOL	1.15	BC 0.02	Vert(CT)	0.00	1	n/r		
BCLL 0.0 *	Rep Stress Incr	YES	WB 0.13	Horz(CT)	0.01	20	n/a		
BCDL 10.0	Code IRC2015/TPI2014		Matrix-S					Weight: 280 lb	FT = 20%

**LUMBER-**

TOP CHORD 2x6 SP No.1  
 BOT CHORD 2x6 SP No.1  
 OTHERS 2x4 SP No.2

**BRACING-**

TOP CHORD Structural wood sheathing directly applied or 6-0-0 oc purlins.  
 BOT CHORD Rigid ceiling directly applied or 10-0-0 oc bracing.  
 WEBS T-Brace: 2x4 SPF No.2 - 11-29, 10-30, 12-28  
 Fasten (2X) T and I braces to narrow edge of web with 10d (0.131"x3") nails, 6in o.c., with 3in minimum end distance.  
 Brace must cover 90% of web length.

**REACTIONS.**

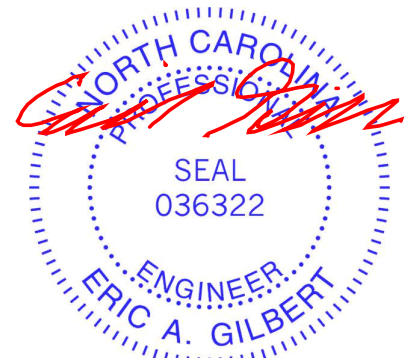
All bearings 33-0-0.  
 (lb) - Max Horz 2=301(LC 9)  
 Max Uplift All uplift 100 lb or less at joint(s) 2, 20, 30, 31, 33, 34, 35, 36, 37, 28, 27, 25, 24, 23, 22 except 21=-107(LC 13)  
 Max Grav All reactions 250 lb or less at joint(s) 2, 20, 29, 30, 31, 33, 34, 35, 36, 37, 28, 27, 25, 24, 23, 22, 21

**FORCES.** (lb) - Max. Comp./Max. Ten. - All forces 250 (lb) or less except when shown.

TOP CHORD 2-3=-280/222, 10-11=-236/265, 11-12=-236/265

**NOTES-**

- 1) Unbalanced roof live loads have been considered for this design.
- 2) Wind: ASCE 7-10; Vult=130mph Vasd=103mph; TCDL=6.0psf; BCDL=6.0psf; h=15ft; Cat. II; Exp C; Enclosed; MWFRS (envelope) gable end zone and C-C Exterior(2) zone; C-C for members and forces & MWFRS for reactions shown; Lumber DOL=1.60 plate grip DOL=1.60
- 3) Truss designed for wind loads in the plane of the truss only. For studs exposed to wind (normal to the face), see Standard Industry Gable End Details as applicable, or consult qualified building designer as per ANSI/TPI 1.
- 4) All plates are 2x4 MT20 unless otherwise indicated.
- 5) Gable requires continuous bottom chord bearing.
- 6) Gable studs spaced at 2-0-0 oc.
- 7) This truss has been designed for a 10.0 psf bottom chord live load nonconcurrent with any other live loads.
- 8) \* This truss has been designed for a live load of 30.0psf on the bottom chord in all areas where a rectangle 3-6-0 tall by 2-0-0 wide will fit between the bottom chord and any other members.
- 9) Provide mechanical connection (by others) of truss to bearing plate capable of withstanding 100 lb uplift at joint(s) 2, 20, 30, 31, 33, 34, 35, 36, 37, 28, 27, 25, 24, 23, 22 except (jt=lb) 21=107.
- 10) Warning: Additional permanent and stability bracing for truss system (not part of this component design) is always required.



April 2, 2024

**WARNING - Verify design parameters and READ NOTES ON THIS AND INCLUDED MITEK REFERENCE PAGE MII-7473 rev. 1/2/2023 BEFORE USE.**

Design valid for use only with MiTek® connectors. This design is based only upon parameters shown, and is for an individual building component, not a truss system. Before use, the building designer must verify the applicability of design parameters and properly incorporate this design into the overall building design. Bracing indicated is to prevent buckling of individual truss web and/or chord members only. Additional temporary and permanent bracing is always required for stability and to prevent collapse with possible personal injury and property damage. For general guidance regarding the fabrication, storage, delivery, erection and bracing of trusses and truss systems, see **ANSI/TPI1 Quality Criteria and DSB-22** available from Truss Plate Institute (www.tpinst.org) and **BCSI Building Component Safety Information** available from the Structural Building Component Association (www.sbcacomponents.com)



818 Soundside Road  
 Edenton, NC 27932

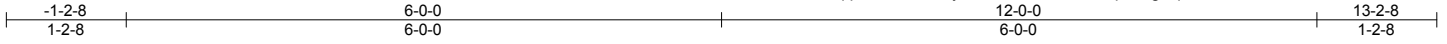


Job J1224-6950	Truss B1GE	Truss Type GABLE	Qty 1	Ply 1	Lot 61 Magnolia Hills Job Reference (optional)	I64635014
-------------------	---------------	---------------------	----------	----------	---	-----------

Comtech, Inc. Fayetteville, NC - 28314,

8.430 s Jan 6 2022 MiTek Industries, Inc. Tue Apr 2 11:08:03 2024 Page 1

ID:aTXuLo?nW09qtpROz2WQ0wydkZW-RfC?PsB70Hq3NSgPqnL8w3ulTXbGKWrcDoi7J4zJC?f



Scale = 1:23.2

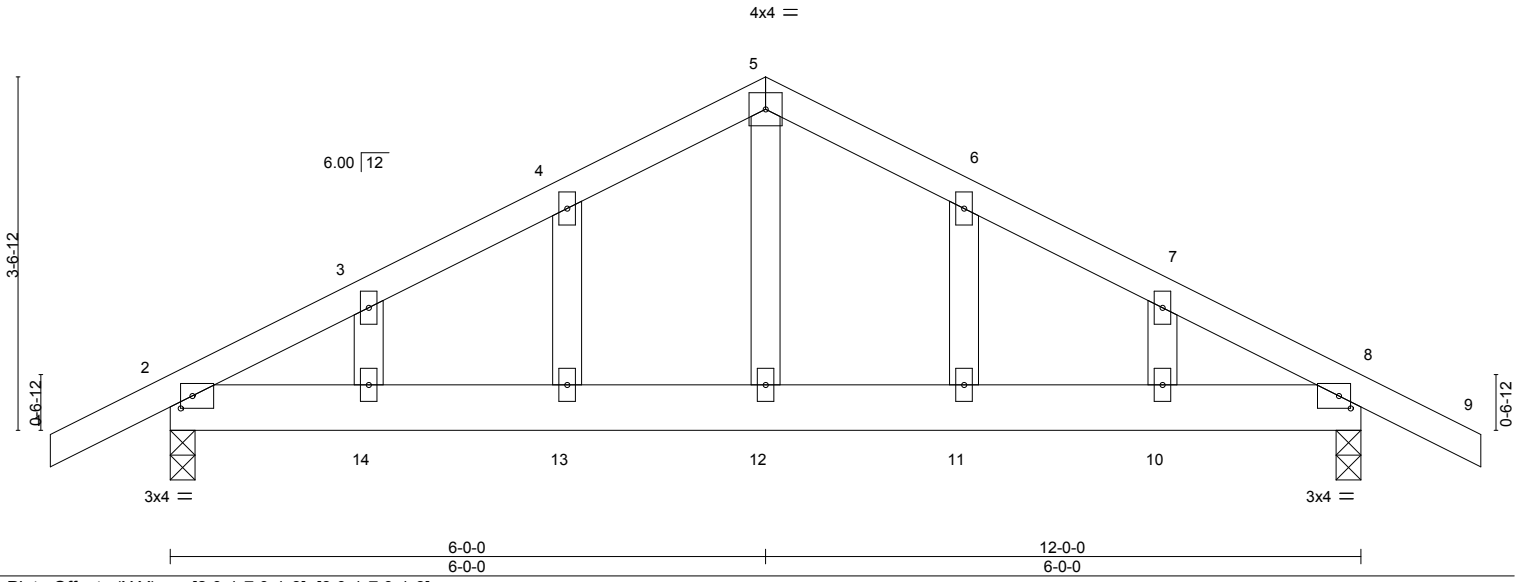


Plate Offsets (X,Y)--	[2:0-1-7,0-1-8], [8:0-1-7,0-1-8]
-----------------------	----------------------------------

LOADING (psf)	SPACING-	2-0-0	CSI.	DEFL.	in (loc)	l/defl	L/d	PLATES	GRIP
TCLL 20.0	Plate Grip DOL	1.15	TC 0.14	Vert(LL)	-0.02 10-11	>999	360	MT20	244/190
TCDL 10.0	Lumber DOL	1.15	BC 0.19	Vert(CT)	-0.03 10-11	>999	240		
BCLL 0.0 *	Rep Stress Incr	YES	WB 0.09	Horz(CT)	0.01 8	n/a	n/a		
BCDL 10.0	Code IRC2015/TPI2014		Matrix-S	Wind(LL)	0.03 10-11	>999	240		
								Weight: 65 lb	FT = 20%

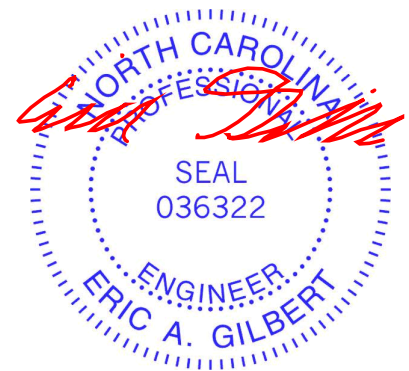
**LUMBER-**  
 TOP CHORD 2x4 SP No.1  
 BOT CHORD 2x6 SP No.1  
 WEBS 2x4 SP No.2  
 OTHERS 2x4 SP No.2

**BRACING-**  
 TOP CHORD Structural wood sheathing directly applied or 6-0-0 oc purlins.  
 BOT CHORD Rigid ceiling directly applied or 10-0-0 oc bracing.

**REACTIONS.** (size) 2=0-3-0, 8=0-3-0  
 Max Horz 2=-73(LC 17)  
 Max Uplift 2=-143(LC 9), 8=-143(LC 8)  
 Max Grav 2=550(LC 1), 8=550(LC 1)

**FORCES.** (lb) - Max. Comp./Max. Ten. - All forces 250 (lb) or less except when shown.  
 TOP CHORD 2-3=-617/666, 3-4=-570/687, 4-5=-561/740, 5-6=-561/740, 6-7=-570/688, 7-8=-617/666  
 BOT CHORD 2-14=-494/491, 13-14=-494/491, 12-13=-494/491, 11-12=-494/491, 10-11=-494/491,  
 8-10=-494/491  
 WEBS 5-12=-513/328

- NOTES-**
- 1) Unbalanced roof live loads have been considered for this design.
  - 2) Wind: ASCE 7-10; Vult=130mph Vasd=103mph; TCDL=6.0psf; BCDL=6.0psf; h=15ft; Cat. II; Exp C; Enclosed; MWFRS (envelope) gable end zone and C-C Exterior(2) zone; porch left and right exposed; C-C for members and forces & MWFRS for reactions shown; Lumber DOL=1.60 plate grip DOL=1.60
  - 3) Truss designed for wind loads in the plane of the truss only. For studs exposed to wind (normal to the face), see Standard Industry Gable End Details as applicable, or consult qualified building designer as per ANSI/TPI 1.
  - 4) All plates are 2x4 MT20 unless otherwise indicated.
  - 5) Gable studs spaced at 2-0-0 oc.
  - 6) This truss has been designed for a 10.0 psf bottom chord live load nonconcurrent with any other live loads.
  - 7) \* This truss has been designed for a live load of 30.0psf on the bottom chord in all areas where a rectangle 3-6-0 tall by 2-0-0 wide will fit between the bottom chord and any other members.
  - 8) Provide mechanical connection (by others) of truss to bearing plate capable of withstanding 100 lb uplift at joint(s) except (jt=lb) 2=143, 8=143.



**WARNING - Verify design parameters and READ NOTES ON THIS AND INCLUDED MITEK REFERENCE PAGE MII-7473 rev. 1/2/2023 BEFORE USE.**  
 Design valid for use only with MiTek® connectors. This design is based only upon parameters shown, and is for an individual building component, not a truss system. Before use, the building designer must verify the applicability of design parameters and properly incorporate this design into the overall building design. Bracing indicated is to prevent buckling of individual truss web and/or chord members only. Additional temporary and permanent bracing is always required for stability and to prevent collapse with possible personal injury and property damage. For general guidance regarding the fabrication, storage, delivery, erection and bracing of trusses and truss systems, see **ANSI/TPI1 Quality Criteria and DSB-22** available from Truss Plate Institute (www.tpinst.org) and **BCSI Building Component Safety Information** available from the Structural Building Component Association (www.sbcacomponents.com)



Job J1224-6950	Truss B2	Truss Type COMMON	Qty 4	Ply 1	Lot 61 Magnolia Hills Job Reference (optional)	I64635015
-------------------	-------------	----------------------	----------	----------	---	-----------

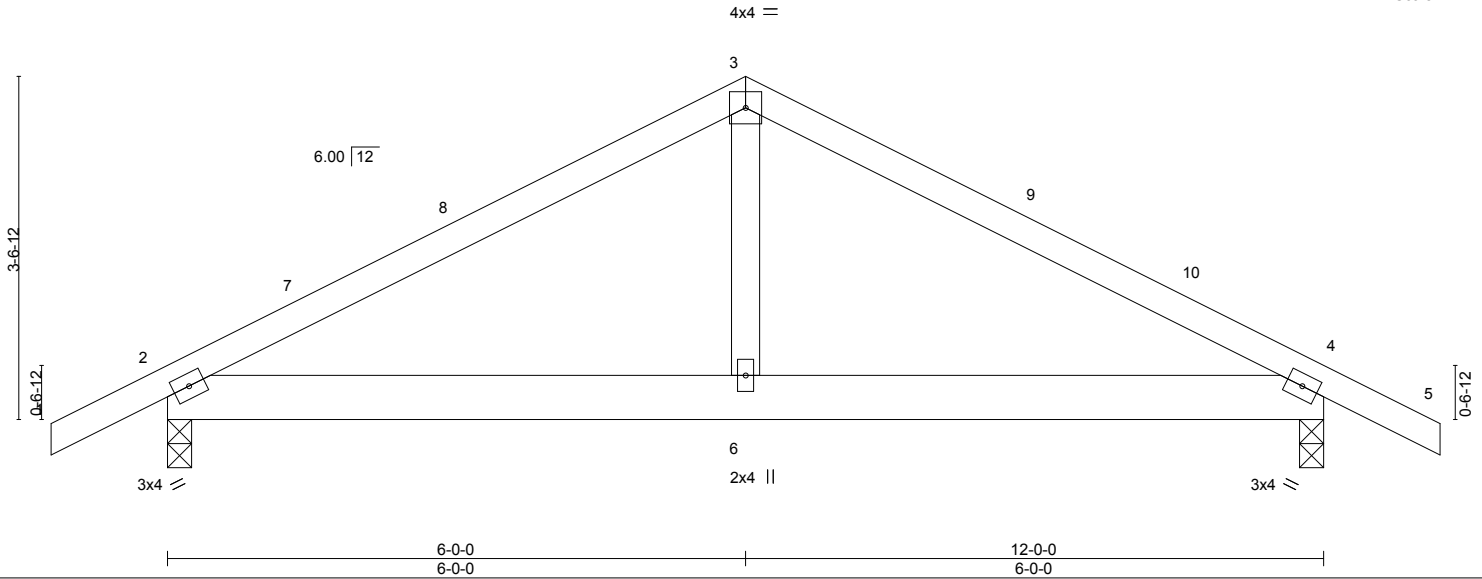
Comtech, Inc. Fayetteville, NC - 28314,

8.430 s Jan 6 2022 MiTek Industries, Inc. Tue Apr 2 11:08:04 2024 Page 1

ID:aTXuLo?nW09qtpROz2WQ0wydkZW-RfC?PsB70Hq3NSgPqnL8w3ulTXbGKWrCDoi7J4zJC?f



Scale: 1/2"=1'



LOADING (psf)	SPACING-	CSI.	DEFL.	in (loc)	l/defl	L/d	PLATES	GRIP
TCLL 20.0	2-0-0	TC 0.29	Vert(LL)	-0.01	4-6	>999	MT20	244/190
TCDL 10.0	Plate Grip DOL 1.15	BC 0.15	Vert(CT)	-0.02	4-6	>999		
BCLL 0.0 *	Lumber DOL 1.15	WB 0.07	Horz(CT)	0.01	4	n/a		
BCDL 10.0	Rep Stress Incr YES	Matrix-S	Wind(LL)	0.03	4-6	>999		
	Code IRC2015/TPI2014						Weight: 57 lb	FT = 20%

**LUMBER-**  
 TOP CHORD 2x4 SP No.1  
 BOT CHORD 2x6 SP No.1  
 WEBS 2x4 SP No.2

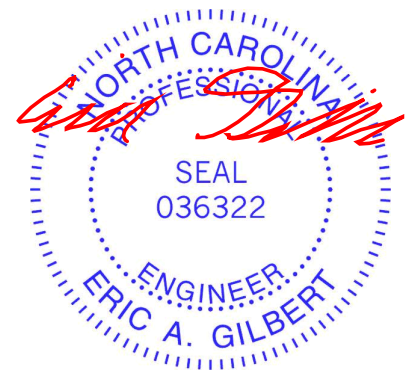
**BRACING-**  
 TOP CHORD Structural wood sheathing directly applied or 6-0-0 oc purlins.  
 BOT CHORD Rigid ceiling directly applied or 10-0-0 oc bracing.

**REACTIONS.** (size) 2=0-3-0, 4=0-3-0  
 Max Horz 2=-47(LC 10)  
 Max Uplift 2=-109(LC 9), 4=-109(LC 8)  
 Max Grav 2=550(LC 1), 4=550(LC 1)

**FORCES.** (lb) - Max. Comp./Max. Ten. - All forces 250 (lb) or less except when shown.  
 TOP CHORD 2-3=-640/667, 3-4=-640/667  
 BOT CHORD 2-6=-457/485, 4-6=-457/485  
 WEBS 3-6=-394/296

**NOTES-**

- 1) Unbalanced roof live loads have been considered for this design.
- 2) Wind: ASCE 7-10; Vult=130mph Vasd=103mph; TCCL=6.0psf; BCCL=6.0psf; h=15ft; Cat. II; Exp C; Enclosed; MWFRS (envelope) and C-C Exterior(2) -1-2-8 to 3-2-5, Interior(1) 3-2-5 to 6-0-0, Exterior(2) 6-0-0 to 10-4-13, Interior(1) 10-4-13 to 13-2-8 zone; porch left and right exposed; C-C for members and forces & MWFRS for reactions shown; Lumber DOL=1.60 plate grip DOL=1.60
- 3) This truss has been designed for a 10.0 psf bottom chord live load nonconcurrent with any other live loads.
- 4) \* This truss has been designed for a live load of 30.0psf on the bottom chord in all areas where a rectangle 3-6-0 tall by 2-0-0 wide will fit between the bottom chord and any other members.
- 5) Provide mechanical connection (by others) of truss to bearing plate capable of withstanding 100 lb uplift at joint(s) except (jt=lb) 2=109, 4=109.



April 2, 2024

**WARNING - Verify design parameters and READ NOTES ON THIS AND INCLUDED MITEK REFERENCE PAGE MII-7473 rev. 1/2/2023 BEFORE USE.**  
 Design valid for use only with MiTek® connectors. This design is based only upon parameters shown, and is for an individual building component, not a truss system. Before use, the building designer must verify the applicability of design parameters and properly incorporate this design into the overall building design. Bracing indicated is to prevent buckling of individual truss web and/or chord members only. Additional temporary and permanent bracing is always required for stability and to prevent collapse with possible personal injury and property damage. For general guidance regarding the fabrication, storage, delivery, erection and bracing of trusses and truss systems, see **ANSI/TPI1 Quality Criteria and DSB-22** available from Truss Plate Institute (www.tpinst.org) and **BCSI Building Component Safety Information** available from the Structural Building Component Association (www.sbcacomponents.com)



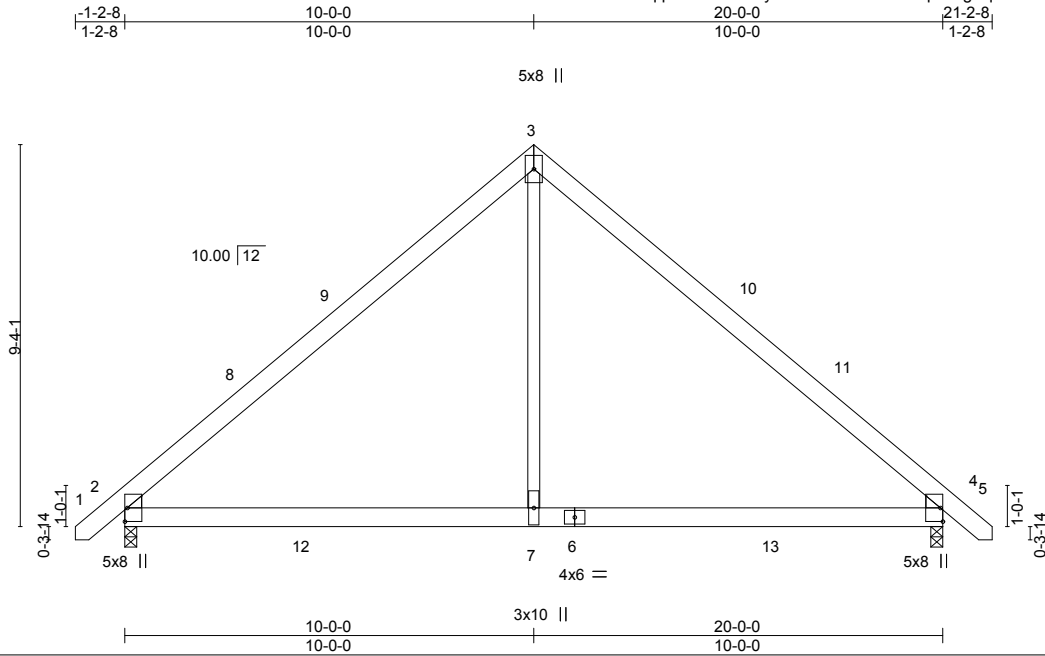


Job J1224-6950	Truss C1	Truss Type COMMON	Qty 5	Ply 1	Lot 61 Magnolia Hills Job Reference (optional)	I64635016
-------------------	-------------	----------------------	----------	----------	---	-----------

Comtech, Inc. Fayetteville, NC - 28314,

8.430 s Jan 6 2022 MiTek Industries, Inc. Tue Apr 2 11:08:04 2024 Page 1

ID:aTXuLo?nW09qtpROz2WQ0wydkZW-RfC?PsB70Hq3NSgPqnL8w3uITXbGKWrcDoi7J4zJC?f



Scale = 1:56.3

LOADING (psf)	SPACING-	2-0-0	CSI.	DEFL.	in (loc)	l/defl	L/d	PLATES	GRIP
TCLL 20.0	Plate Grip DOL	1.15	TC 0.49	Vert(LL)	-0.10	4-7	>999	MT20	244/190
TCDL 10.0	Lumber DOL	1.15	BC 0.54	Vert(CT)	-0.17	4-7	>999		
BCLL 0.0 *	Rep Stress Incr	YES	WB 0.19	Horz(CT)	0.01	4	n/a		
BCDL 10.0	Code IRC2015/TPI2014		Matrix-S	Wind(LL)	0.06	2-7	>999		
								Weight: 129 lb	FT = 20%

**LUMBER-**

TOP CHORD 2x6 SP No.1  
 BOT CHORD 2x6 SP No.1  
 WEBS 2x4 SP No.2

WEDGE  
 Left: 2x4 SP No.3, Right: 2x4 SP No.3

**BRACING-**

TOP CHORD Structural wood sheathing directly applied or 6-0-0 oc purlins.  
 BOT CHORD Rigid ceiling directly applied or 10-0-0 oc bracing.

**REACTIONS.**

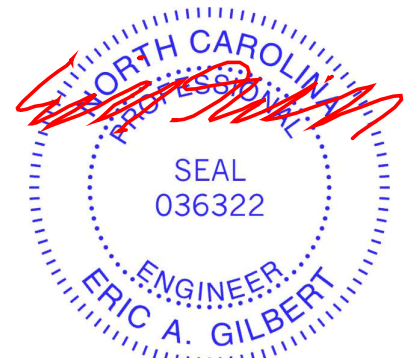
(size) 4=0-3-8, 2=0-3-8  
 Max Horz 2=-221(LC 10)  
 Max Uplift 4=-48(LC 13), 2=-48(LC 12)  
 Max Grav 4=1044(LC 20), 2=1044(LC 19)

**FORCES.** (lb) - Max. Comp./Max. Ten. - All forces 250 (lb) or less except when shown.

TOP CHORD 2-3=-1118/210, 3-4=-1118/210  
 BOT CHORD 2-7=0/784, 4-7=0/784  
 WEBS 3-7=0/822

**NOTES-**

- 1) Unbalanced roof live loads have been considered for this design.
- 2) Wind: ASCE 7-10; Vult=130mph Vasd=103mph; TCDL=6.0psf; BCDL=6.0psf; h=15ft; Cat. II; Exp C; Enclosed; MWFRS (envelope) and C-C Exterior(2) -1-0-8 to 3-4-4, Interior(1) 3-4-4 to 10-0-0, Exterior(2) 10-0-0 to 14-4-13, Interior(1) 14-4-13 to 21-0-8 zone; C-C for members and forces & MWFRS for reactions shown; Lumber DOL=1.60 plate grip DOL=1.60
- 3) This truss has been designed for a 10.0 psf bottom chord live load nonconcurrent with any other live loads.
- 4) \* This truss has been designed for a live load of 30.0psf on the bottom chord in all areas where a rectangle 3-6-0 tall by 2-0-0 wide will fit between the bottom chord and any other members, with BCDL = 10.0psf.
- 5) Provide mechanical connection (by others) of truss to bearing plate capable of withstanding 100 lb uplift at joint(s) 4, 2.



April 2, 2024

**WARNING - Verify design parameters and READ NOTES ON THIS AND INCLUDED MITEK REFERENCE PAGE MII-7473 rev. 1/2/2023 BEFORE USE.**

Design valid for use only with MiTek® connectors. This design is based only upon parameters shown, and is for an individual building component, not a truss system. Before use, the building designer must verify the applicability of design parameters and properly incorporate this design into the overall building design. Bracing indicated is to prevent buckling of individual truss web and/or chord members only. Additional temporary and permanent bracing is always required for stability and to prevent collapse with possible personal injury and property damage. For general guidance regarding the fabrication, storage, delivery, erection and bracing of trusses and truss systems, see **ANSI/TPI1 Quality Criteria and DSB-22** available from Truss Plate Institute ([www.tpinst.org](http://www.tpinst.org)) and **BCSI Building Component Safety Information** available from the Structural Building Component Association ([www.sbcacomponents.com](http://www.sbcacomponents.com))



818 Soundside Road  
 Edenton, NC 27932

Job J1224-6950	Truss C1-GR	Truss Type COMMON GIRDER	Qty 1	Ply 2	Lot 61 Magnolia Hills Job Reference (optional)	I64635017
-------------------	----------------	-----------------------------	----------	----------	---	-----------

Comtech, Inc. Fayetteville, NC - 28314,

8.430 s Jan 6 2022 MiTek Industries, Inc. Tue Apr 2 11:08:05 2024 Page 1

ID:aTXuLo?nW09qtpROz2WQ0wydkZW-RfC?PsB70Hq3NSgPqnL8w3ulTXbGKWrcDoi7J4zJC?f



6x6 ||

Scale = 1:56.3

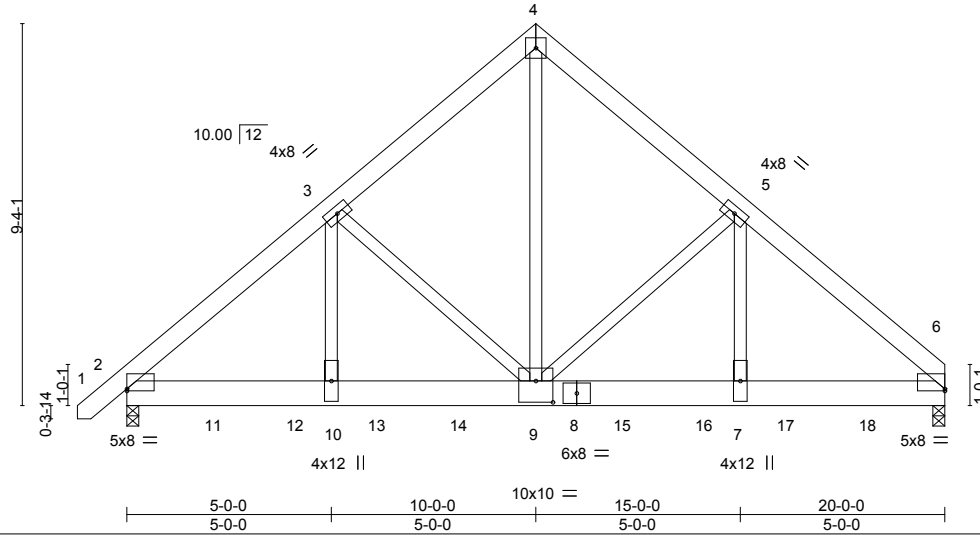


Plate Offsets (X,Y)-- [2:0-0-0,0-0-9], [6:Edge,0-0-9], [9:0-5-0,0-6-4]

LOADING (psf)	SPACING-	CSI.	DEFL.	PLATES	GRIP
TCLL 20.0	2-0-0	TC 0.61	in (loc) l/defl L/d	MT20	244/190
TCDL 10.0	Plate Grip DOL 1.15	BC 0.45	Vert(LL) -0.07 9-10 >999 360		
BCLL 0.0 *	Lumber DOL 1.15	WB 0.85	Vert(CT) -0.13 9-10 >999 240		
BCDL 10.0	Rep Stress Incr NO	Matrix-S	Horz(CT) 0.03 6 n/a n/a		
	Code IRC2015/TPI2014		Wind(LL) 0.05 9-10 >999 240	Weight: 341 lb	FT = 20%

**LUMBER-**  
 TOP CHORD 2x6 SP No.1  
 BOT CHORD 2x8 SP 2400F 2.0E  
 WEBS 2x4 SP No.2

**BRACING-**  
 TOP CHORD Structural wood sheathing directly applied or 5-7-9 oc purlins.  
 BOT CHORD Rigid ceiling directly applied or 10-0-0 oc bracing.

**REACTIONS.** (size) 6=0-3-8, 2=0-3-8  
 Max Horz 2=217(LC 26)  
 Max Uplift 6=-424(LC 9), 2=-437(LC 8)  
 Max Grav 6=6844(LC 2), 2=6838(LC 2)

**FORCES.** (lb) - Max. Comp./Max. Ten. - All forces 250 (lb) or less except when shown.  
 TOP CHORD 2-3=-8399/550, 3-4=-5693/462, 4-5=-5691/461, 5-6=-8413/547  
 BOT CHORD 2-10=-410/6080, 9-10=-410/6081, 7-9=-340/6084, 6-7=-340/6083  
 WEBS 4-9=-485/6901, 5-9=-2367/286, 5-7=-162/3485, 3-9=-2363/282, 3-10=-164/3461

- NOTES-**
- 2-ply truss to be connected together with 10d (0.131"x3") nails as follows:  
 Top chords connected as follows: 2x6 - 2 rows staggered at 0-9-0 oc.  
 Bottom chords connected as follows: 2x8 - 2 rows staggered at 0-7-0 oc.  
 Webs connected as follows: 2x4 - 1 row at 0-9-0 oc.
  - All loads are considered equally applied to all plies, except if noted as front (F) or back (B) face in the LOAD CASE(S) section. Ply to ply connections have been provided to distribute only loads noted as (F) or (B), unless otherwise indicated.
  - Unbalanced roof live loads have been considered for this design.
  - Wind: ASCE 7-10; Vult=130mph Vasd=103mph; TC DL=6.0psf; BCDL=6.0psf; h=15ft; Cat. II; Exp C; Enclosed; MWFRS (envelope); Lumber DOL=1.60 plate grip DOL=1.60
  - This truss has been designed for a 10.0 psf bottom chord live load nonconcurrent with any other live loads.
  - \* This truss has been designed for a live load of 30.0psf on the bottom chord in all areas where a rectangle 3-6-0 tall by 2-0-0 wide will fit between the bottom chord and any other members.
  - Provide mechanical connection (by others) of truss to bearing plate capable of withstanding 100 lb uplift at joint(s) except (jt=lb) 6=424, 2=437.
  - Hanger(s) or other connection device(s) shall be provided sufficient to support concentrated load(s) 1360 lb down and 95 lb up at 2-0-12, 1360 lb down and 95 lb up at 4-0-12, 1360 lb down and 95 lb up at 6-0-12, 1360 lb down and 95 lb up at 8-0-12, 1360 lb down and 95 lb up at 10-0-12, 1360 lb down and 95 lb up at 12-0-12, 1360 lb down and 95 lb up at 14-0-12, and 1360 lb down and 95 lb up at 16-0-12, and 1360 lb down and 95 lb up at 18-0-12 on bottom chord. The design/selection of such connection device(s) is the responsibility of others.

**LOAD CASE(S)** Standard  
 1) Dead + Roof Live (balanced): Lumber Increase=1.15, Plate Increase=1.15  
 Uniform Loads (plf)  
 Vert: 1-4=-60, 4-6=-60, 2-6=-20



April 2, 2024

Continued on page 2

**WARNING - Verify design parameters and READ NOTES ON THIS AND INCLUDED MITEK REFERENCE PAGE MII-7473 rev. 1/2/2023 BEFORE USE.**  
 Design valid for use only with MiTek® connectors. This design is based only upon parameters shown, and is for an individual building component, not a truss system. Before use, the building designer must verify the applicability of design parameters and properly incorporate this design into the overall building design. Bracing indicated is to prevent buckling of individual truss web and/or chord members only. Additional temporary and permanent bracing is always required for stability and to prevent collapse with possible personal injury and property damage. For general guidance regarding the fabrication, storage, delivery, erection and bracing of trusses and truss systems, see **ANSI/TP1 Quality Criteria and DSB-22** available from Truss Plate Institute (www.tpinst.org) and **BCSI Building Component Safety Information** available from the Structural Building Component Association (www.sbcacomponents.com)



818 Soundside Road  
 Edenton, NC 27932

Job J1224-6950	Truss C1-GR	Truss Type COMMON GIRDER	Qty 1	Ply <b>2</b>	Lot 61 Magnolia Hills I64635017 Job Reference (optional)
-------------------	----------------	-----------------------------	----------	-----------------	--

Comtech, Inc. Fayetteville, NC - 28314,

8.430 s Jan 6 2022 MiTek Industries, Inc. Tue Apr 2 11:08:05 2024 Page 2  
ID:aTXuLo?nW09qtpROz2WQ0wydkZW-RfC?PsB70Hq3NSgPqnL8w3uITXbGKWrCDoi7J4zJC?f

**LOAD CASE(S)** Standard

Concentrated Loads (lb)

Vert: 9=-1290(F) 11=-1290(F) 12=-1290(F) 13=-1290(F) 14=-1290(F) 15=-1290(F) 16=-1290(F) 17=-1290(F) 18=-1290(F)

**WARNING - Verify design parameters and READ NOTES ON THIS AND INCLUDED MITEK REFERENCE PAGE MII-7473 rev. 1/2/2023 BEFORE USE.**

Design valid for use only with MiTek® connectors. This design is based only upon parameters shown, and is for an individual building component, not a truss system. Before use, the building designer must verify the applicability of design parameters and properly incorporate this design into the overall building design. Bracing indicated is to prevent buckling of individual truss web and/or chord members only. Additional temporary and permanent bracing is always required for stability and to prevent collapse with possible personal injury and property damage. For general guidance regarding the fabrication, storage, delivery, erection and bracing of trusses and truss systems, see **ANSI/TP1 Quality Criteria and DSB-22** available from Truss Plate Institute ([www.tpinst.org](http://www.tpinst.org)) and **BCSI Building Component Safety Information** available from the Structural Building Component Association ([www.sbcacomponents.com](http://www.sbcacomponents.com))



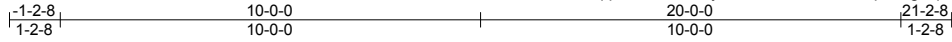
818 Soundside Road  
Edenton, NC 27932

Job J1224-6950	Truss C1GE	Truss Type GABLE	Qty 1	Ply 1	Lot 61 Magnolia Hills Job Reference (optional)	I64635018
-------------------	---------------	---------------------	----------	----------	---	-----------

Comtech, Inc. Fayetteville, NC - 28314,

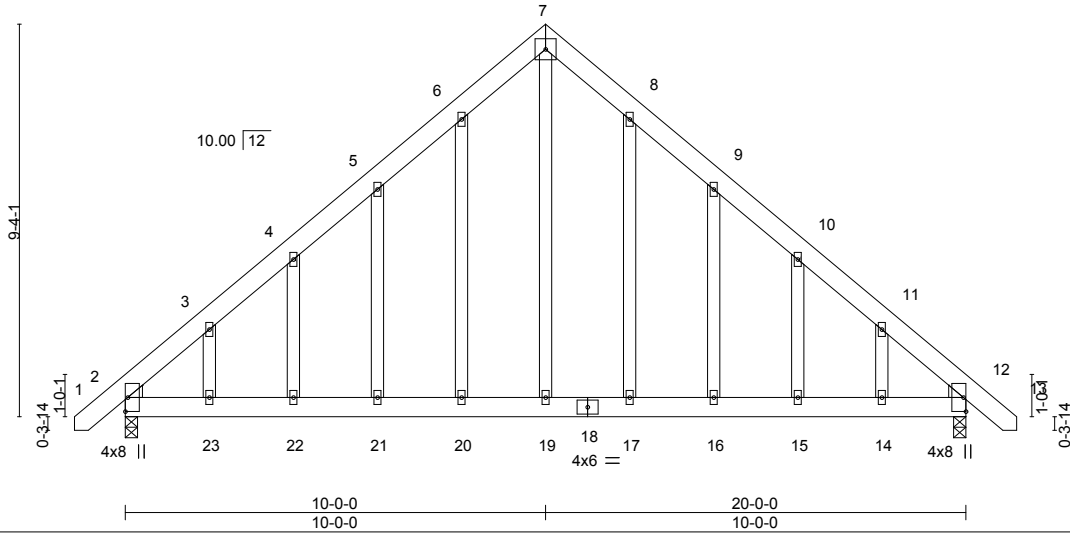
8.430 s Jan 6 2022 MiTek Industries, Inc. Tue Apr 2 11:08:05 2024 Page 1

ID:aTXuLo?nW09qtpROz2WQ0wydkZW-RfC?PsB70Hq3NSgPqnL8w3ulTXbGKWrCDoi7J4zJC?f



6x6 =

Scale = 1:54.8



LOADING (psf)	SPACING-	2-0-0	CSI.	DEFL.	in (loc)	l/defl	L/d	PLATES	GRIP
TCLL 20.0	Plate Grip DOL	1.15	TC 0.20	Vert(LL)	-0.09 15-16	>999	360	MT20	244/190
TCDL 10.0	Lumber DOL	1.15	BC 0.40	Vert(CT)	-0.14 15-16	>999	240		
BCLL 0.0 *	Rep Stress Incr	YES	WB 0.40	Horz(CT)	0.01 12	n/a	n/a		
BCDL 10.0	Code IRC2015/TPI2014		Matrix-S	Wind(LL)	0.15 21-22	>999	240		
								Weight: 180 lb	FT = 20%

**LUMBER-**

TOP CHORD 2x6 SP No.1  
 BOT CHORD 2x6 SP No.1  
 WEBS 2x4 SP No.2  
 OTHERS 2x4 SP No.2  
 WEDGE

Left: 2x4 SP No.3 , Right: 2x4 SP No.3

**BRACING-**

TOP CHORD Structural wood sheathing directly applied or 6-0-0 oc purlins.  
 BOT CHORD Rigid ceiling directly applied or 10-0-0 oc bracing.

**REACTIONS.**

(size) 12=0-3-8, 2=0-3-8  
 Max Horz 2=-276(LC 10)  
 Max Uplift 12=-169(LC 13), 2=-169(LC 12)  
 Max Grav 12=860(LC 1), 2=860(LC 1)

**FORCES.** (lb) - Max. Comp./Max. Ten. - All forces 250 (lb) or less except when shown.

TOP CHORD 2-3=-870/130, 3-4=-749/172, 4-5=-705/231, 5-6=-739/304, 6-7=-776/383, 7-8=-776/383,  
 8-9=-739/304, 9-10=-705/231, 10-11=-749/172, 11-12=-870/129  
 BOT CHORD 2-23=-39/567, 22-23=-39/567, 21-22=-39/567, 20-21=-39/567, 19-20=-39/567,  
 17-19=-39/567, 16-17=-39/567, 15-16=-39/567, 14-15=-39/567, 12-14=-39/567  
 WEBS 7-19=-309/660

**NOTES-**

- Unbalanced roof live loads have been considered for this design.
- Wind: ASCE 7-10; Vult=130mph Vasd=103mph; TCDL=6.0psf; BCDL=6.0psf; h=15ft; Cat. II; Exp C; Enclosed; MWFRS (envelope) gable end zone and C-C Exterior(2) zone; C-C for members and forces & MWFRS for reactions shown; Lumber DOL=1.60 plate grip DOL=1.60
- Truss designed for wind loads in the plane of the truss only. For studs exposed to wind (normal to the face), see Standard Industry Gable End Details as applicable, or consult qualified building designer as per ANSI/TPI 1.
- All plates are 2x4 MT20 unless otherwise indicated.
- Gable studs spaced at 2-0-0 oc.
- This truss has been designed for a 10.0 psf bottom chord live load nonconcurrent with any other live loads.
- \* This truss has been designed for a live load of 30.0psf on the bottom chord in all areas where a rectangle 3-6-0 tall by 2-0-0 wide will fit between the bottom chord and any other members.
- Provide mechanical connection (by others) of truss to bearing plate capable of withstanding 100 lb uplift at joint(s) except (jt=lb) 12=169, 2=169.



April 2, 2024

**WARNING - Verify design parameters and READ NOTES ON THIS AND INCLUDED MITEK REFERENCE PAGE MII-7473 rev. 1/2/2023 BEFORE USE.**

Design valid for use only with MiTek® connectors. This design is based only upon parameters shown, and is for an individual building component, not a truss system. Before use, the building designer must verify the applicability of design parameters and properly incorporate this design into the overall building design. Bracing indicated is to prevent buckling of individual truss web and/or chord members only. Additional temporary and permanent bracing is always required for stability and to prevent collapse with possible personal injury and property damage. For general guidance regarding the fabrication, storage, delivery, erection and bracing of trusses and truss systems, see **ANSI/TPI1 Quality Criteria and DSB-22** available from Truss Plate Institute (www.tpinst.org) and **BCSI Building Component Safety Information** available from the Structural Building Component Association (www.sbcacomponents.com)



818 Soundside Road  
 Edenton, NC 27932

Job J1224-6950	Truss G1	Truss Type COMMON	Qty 6	Ply 1	Lot 61 Magnolia Hills Job Reference (optional)	164635019
-------------------	-------------	----------------------	----------	----------	---	-----------

Comtech, Inc. Fayetteville, NC - 28314,

8.430 s Jan 6 2022 MiTek Industries, Inc. Tue Apr 2 11:08:06 2024 Page 1

-1-2-8	4-10-10	8-8-12	10-10-10	17-10-10	23-0-0	27-10-10	34-10-10	40-10-10	46-0-0	47-2-8
1-2-8	4-10-10	3-10-2	2-1-14	7-0-0	5-1-6	4-10-10	7-0-0	6-0-0	5-1-6	1-2-8

ID:aTXuLo?nW09qtpROz2WQ0wydkZW-RfC?PsB70Hq3NSgPqnL8w3ulTXbGKWrCDoi7J4zJC?f

Scale = 1:87.6

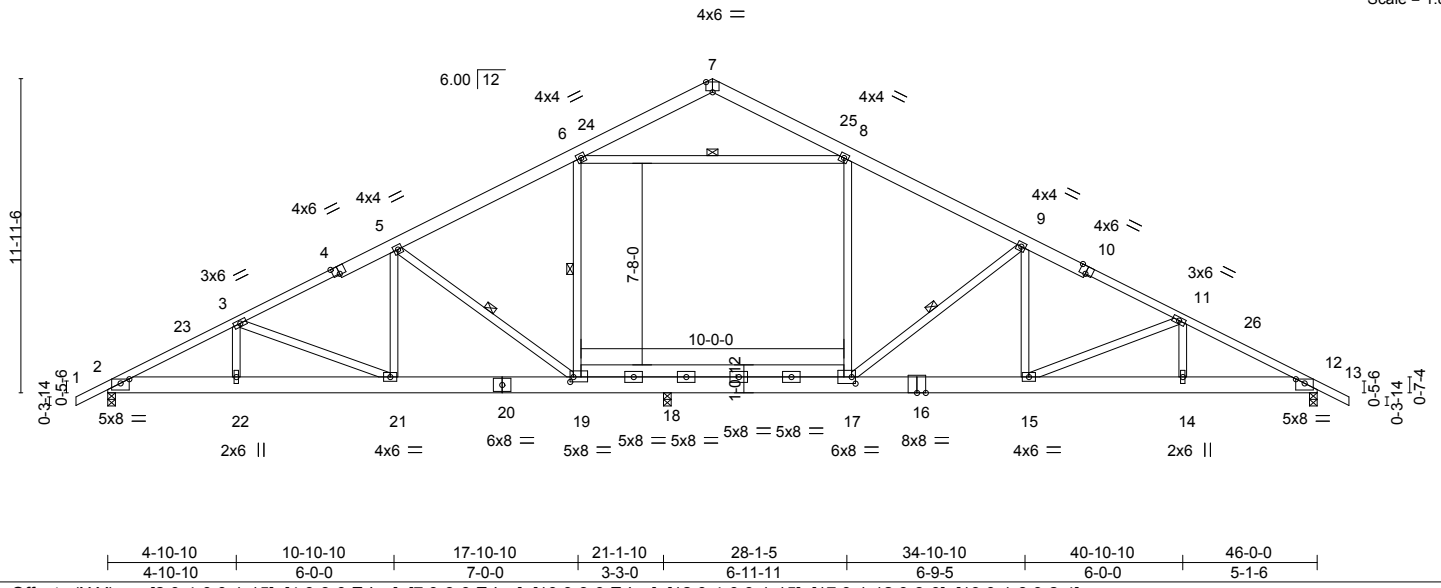


Plate Offsets (X, Y)--	[2:0-4-0,0-1-15], [4:0-3-0,Edge], [7:0-3-0,Edge], [10:0-3-0,Edge], [12:0-4-0,0-1-15], [17:0-1-12,0-3-0], [19:0-1-8,0-2-4]
------------------------	---

LOADING (psf)	SPACING-	CSI.	DEFL.	PLATES	GRIP
TCLL 20.0	2-0-0	TC 0.26	in (loc) l/defl L/d	MT20	244/190
TCDL 10.0	Plate Grip DOL 1.15	BC 0.44	Vert(LL) -0.24 15-17 >999 360		
BCLL 0.0 *	Lumber DOL 1.15	WB 0.42	Vert(CT) -0.40 15-17 >739 240		
BCDL 10.0	Rep Stress Incr YES	Matrix-S	Horz(CT) 0.03 12 n/a n/a		
	Code IRC2015/TP12014		Wind(LL) 0.16 15-17 >999 240		
				Weight: 376 lb	FT = 20%

LUMBER-	BRACING-
TOP CHORD 2x6 SP No.1 *Except* 1-4,10-13: 2x4 SP No.1	TOP CHORD Structural wood sheathing directly applied or 3-11-0 oc purlins.
BOT CHORD 2x8 SP 2400F 2.OE *Except* 17-19: 2x6 SP No.1	BOT CHORD Rigid ceiling directly applied or 10-0-0 oc bracing. Except: 8-5-9 oc bracing: 18-19 7-9-4 oc bracing: 17-18.
WEBS 2x4 SP No.2	WEBS 1 Row at midpt 9-17, 6-19, 5-19, 6-8

**REACTIONS.** (size) 2=0-3-8, 12=0-3-8, 18=0-3-8  
 Max Horz 2=156(LC 11)  
 Max Uplift 2=-66(LC 12), 12=-168(LC 13), 18=-120(LC 12)  
 Max Grav 2=1250(LC 1), 12=1365(LC 24), 18=1447(LC 19)

**FORCES.** (lb) - Max. Comp./Max. Ten. - All forces 250 (lb) or less except when shown.  
 TOP CHORD 2-3=-2175/456, 3-5=-1759/445, 5-6=-1250/413, 6-7=-378/186, 7-8=-350/181,  
 8-9=-1235/382, 9-11=-2082/468, 11-12=-2367/451  
 BOT CHORD 2-22=-304/1880, 21-22=-304/1880, 19-21=-194/1515, 18-19=-52/1043, 17-18=-48/1031,  
 15-17=-245/1812, 14-15=-325/2045, 12-14=-325/2045  
 WEBS 9-17=-1058/260, 9-15=-26/593, 5-19=-875/234, 5-21=-23/446, 3-21=-393/120,  
 11-15=-281/104, 6-8=-846/319

- NOTES-**
- 1) Unbalanced roof live loads have been considered for this design.
  - 2) Wind: ASCE 7-10; Vult=130mph Vasd=103mph; TCCL=6.0psf; BCDL=6.0psf; h=15ft; Cat. II; Exp C; Enclosed; MWFRS (envelope) and C-C Exterior(2) -1-2-7 to 3-2-5, Interior(1) 3-2-5 to 23-0-0, Exterior(2) 23-0-0 to 27-4-13, Interior(1) 27-4-13 to 47-2-7 zone; C-C for members and forces & MWFRS for reactions shown; Lumber DOL=1.60 plate grip DOL=1.60
  - 3) This truss has been designed for a 10.0 psf bottom chord live load nonconcurrent with any other live loads.
  - 4) \* This truss has been designed for a live load of 30.0psf on the bottom chord in all areas where a rectangle 3-6-0 tall by 2-0-0 wide will fit between the bottom chord and any other members, with BCDL = 10.0psf.
  - 5) Provide mechanical connection (by others) of truss to bearing plate capable of withstanding 100 lb uplift at joint(s) 2 except (jt=lb) 12=168, 18=120.



Job	Truss	Truss Type	Qty	Ply	Lot 61 Magnolia Hills	I64635020
J1224-6950	G1GE	COMMON SUPPORTED GAB	1	1		
Comtech, Inc. Fayetteville, NC - 28314,						Job Reference (optional)

8.430 s Jan 6 2022 MiTek Industries, Inc. Tue Apr 2 11:08:07 2024 Page 1

ID:aTXuLo?nW09qtpROz2WQ0wydkZW-RfC?PsB70Hq3NSgPqnL8w3ulTXbGKWrcDoi7J4zJC?f

1-2-8	23-0-0	46-0-0	47-2-8
1-2-8	23-0-0	23-0-0	1-2-8

Scale = 1:81.1

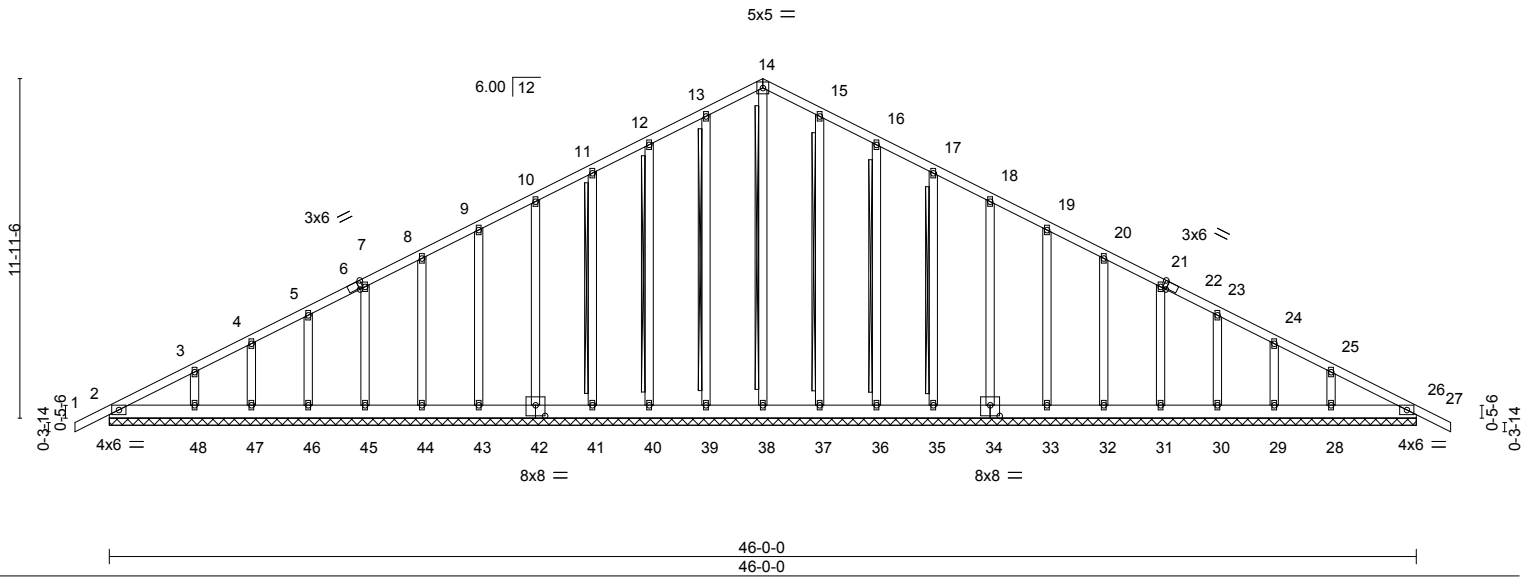


Plate Offsets (X,Y)--	[6:0-1-9,Edge], [22:0-1-9,Edge], [34:0-4-0,0-4-8], [42:0-4-0,0-4-8]
-----------------------	---

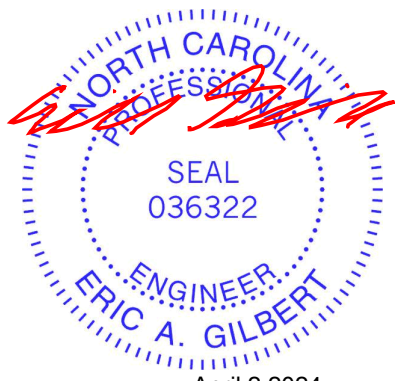
LOADING (psf)	SPACING-	CSI.	DEFL.	PLATES	GRIP
TCLL 20.0	2-0-0	TC 0.07	in (loc) l/defl L/d	MT20	244/190
TCDL 10.0	Plate Grip DOL 1.15	BC 0.03	Vert(LL) -0.00 27 n/r 120		
BCLL 0.0 *	Lumber DOL 1.15	WB 0.18	Vert(CT) -0.00 27 n/r 120		
BCDL 10.0	Rep Stress Incr YES	Matrix-S	Horz(CT) 0.01 26 n/a n/a		
	Code IRC2015/TPI2014			Weight: 376 lb	FT = 20%

LUMBER-	BRACING-
TOP CHORD 2x4 SP No.1	TOP CHORD Structural wood sheathing directly applied or 6-0-0 oc purlins.
BOT CHORD 2x6 SP No.1	BOT CHORD Rigid ceiling directly applied or 10-0-0 oc bracing.
OTHERS 2x4 SP No.2	WEBS T-Brace: 2x4 SPF No.2 - 14-38, 13-39, 12-40, 11-41, 15-37, 16-36, 17-35
	Fasten (2X) T and I braces to narrow edge of web with 10d (0.131"x3") nails, 6in o.c., with 3in minimum end distance. Brace must cover 90% of web length.

**REACTIONS.** All bearings 46-0-0.  
 (lb) - Max Horz 2=245(LC 16)  
 Max Uplift All uplift 100 lb or less at joint(s) 2, 39, 40, 41, 42, 43, 44, 45, 46, 47, 48, 37, 36, 35, 34, 33, 32, 31, 30, 29, 28, 26  
 Max Grav All reactions 250 lb or less at joint(s) 2, 38, 39, 40, 41, 42, 43, 44, 45, 46, 47, 48, 37, 36, 35, 34, 33, 32, 31, 30, 29, 28, 26

**FORCES.** (lb) - Max. Comp./Max. Ten. - All forces 250 (lb) or less except when shown.  
 TOP CHORD 2-3=-322/96, 11-12=-106/275, 12-13=-127/337, 13-14=-146/387, 14-15=-146/387, 15-16=-127/337, 16-17=-106/275  
 BOT CHORD 2-48=-82/271, 47-48=-82/271, 46-47=-82/271, 45-46=-82/271, 44-45=-82/271, 43-44=-82/271, 42-43=-82/271, 41-42=-82/271, 40-41=-82/271, 39-40=-82/271, 38-39=-82/271, 37-38=-82/271, 36-37=-82/271, 35-36=-82/271, 34-35=-82/271, 33-34=-82/271, 32-33=-82/271, 31-32=-82/271, 30-31=-82/271, 29-30=-82/271, 28-29=-82/271, 26-28=-82/271

- NOTES-**
- Unbalanced roof live loads have been considered for this design.
  - Wind: ASCE 7-10; Vult=130mph Vasd=103mph; TCDL=6.0psf; BCDL=6.0psf; h=15ft; Cat. II; Exp C; Enclosed; MWFRS (envelope) gable end zone and C-C Exterior(2) zone; C-C for members and forces & MWFRS for reactions shown; Lumber DOL=1.60 plate grip DOL=1.60
  - Truss designed for wind loads in the plane of the truss only. For studs exposed to wind (normal to the face), see Standard Industry Gable End Details as applicable, or consult qualified building designer as per ANSI/TPI 1.
  - All plates are 2x4 MT20 unless otherwise indicated.
  - Gable requires continuous bottom chord bearing.
  - Gable studs spaced at 2-0-0 oc.
  - This truss has been designed for a 10.0 psf bottom chord live load nonconcurrent with any other live loads.
  - \* This truss has been designed for a live load of 30.0psf on the bottom chord in all areas where a rectangle 3-6-0 tall by 2-0-0 wide will fit between the bottom chord and any other members.
  - Provide mechanical connection (by others) of truss to bearing plate capable of withstanding 100 lb uplift at joint(s) 2, 39, 40, 41, 42, 43, 44, 45, 46, 47, 48, 37, 36, 35, 34, 33, 32, 31, 30, 29, 28, 26.
  - Warning: Additional permanent and stability bracing for truss system (not part of this component design) is always required.



April 2, 2024

<p><b>WARNING - Verify design parameters and READ NOTES ON THIS AND INCLUDED MITEK REFERENCE PAGE MII-7473 rev. 1/2/2023 BEFORE USE.</b></p> <p>Design valid for use only with MiTek® connectors. This design is based only upon parameters shown, and is for an individual building component, not a truss system. Before use, the building designer must verify the applicability of design parameters and properly incorporate this design into the overall building design. Bracing indicated is to prevent buckling of individual truss web and/or chord members only. Additional temporary and permanent bracing is always required for stability and to prevent collapse with possible personal injury and property damage. For general guidance regarding the fabrication, storage, delivery, erection and bracing of trusses and truss systems, see <b>ANSI/TPI1 Quality Criteria and DSB-22</b> available from Truss Plate Institute (www.tpinst.org) and <b>BCSI Building Component Safety Information</b> available from the Structural Building Component Association (www.sbcacomponents.com)</p>	<p>818 Soundside Road Edenton, NC 27932</p>
---	---



Job J1224-6950	Truss J1	Truss Type MONO TRUSS	Qty 4	Ply 1	Lot 61 Magnolia Hills Job Reference (optional)	I64635021
-------------------	-------------	--------------------------	----------	----------	---	-----------

Comtech, Inc. Fayetteville, NC - 28314,

8.430 s Jan 6 2022 MiTek Industries, Inc. Tue Apr 2 11:08:08 2024 Page 1

ID:aTXuLo?nW09qtpROz2WQ0wydkZW-RfC?PsB70Hq3NSgPqnL8w3uITXbGKwRCDoi7J4zJC?f



Scale = 1:14.8

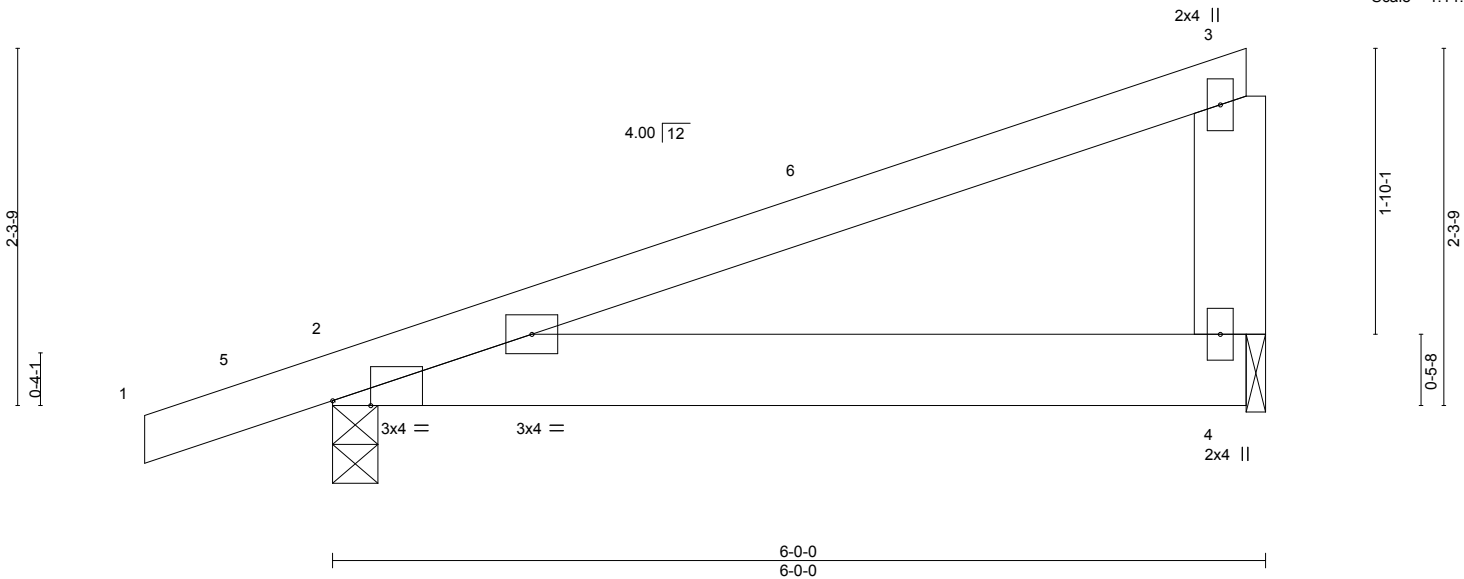


Plate Offsets (X,Y)-- [2:0-2-15,Edge]		CSI.		DEFL.		PLATES		GRIP	
LOADING (psf)	SPACING-	2-0-0	TC	in	(loc)	l/defl	L/d	MT20	244/190
TCLL 20.0	Plate Grip DOL	1.15	0.41	Vert(LL)	-0.01	2-4	>999		
TCDL 10.0	Lumber DOL	1.15	0.12	Vert(CT)	-0.03	2-4	>999		
BCLL 0.0 *	Rep Stress Incr	YES	0.00	Horz(CT)	0.00	n/a	n/a		
BCDL 10.0	Code	IRC2015/TPI2014	Matrix-P	Wind(LL)	0.03	2-4	>999	Weight: 29 lb	FT = 20%

LUMBER-		BRACING-	
TOP CHORD	2x4 SP No.1	TOP CHORD	Structural wood sheathing directly applied or 6-0-0 oc purlins, except end verticals.
BOT CHORD	2x6 SP No.1	BOT CHORD	Rigid ceiling directly applied or 10-0-0 oc bracing.
WEBS	2x6 SP No.1		

**REACTIONS.** (size) 2=0-3-8, 4=0-1-8  
 Max Horz 2=83(LC 8)  
 Max Uplift 2=-132(LC 8), 4=-90(LC 8)  
 Max Grav 2=316(LC 1), 4=215(LC 1)

**FORCES.** (lb) - Max. Comp./Max. Ten. - All forces 250 (lb) or less except when shown.

**NOTES-**

- 1) Wind: ASCE 7-10; Vult=130mph Vasd=103mph; TCDL=6.0psf; BCDL=6.0psf; h=15ft; Cat. II; Exp C; Enclosed; MWFRS (envelope) and C-C Exterior(2) -1-2-8 to 3-2-5, Interior(1) 3-2-5 to 5-9-4 zone; porch left exposed; C-C for members and forces & MWFRS for reactions shown; Lumber DOL=1.60 plate grip DOL=1.60
- 2) This truss has been designed for a 10.0 psf bottom chord live load nonconcurrent with any other live loads.
- 3) \* This truss has been designed for a live load of 30.0psf on the bottom chord in all areas where a rectangle 3-6-0 tall by 2-0-0 wide will fit between the bottom chord and any other members.
- 4) Bearing at joint(s) 4 considers parallel to grain value using ANSI/TPI 1 angle to grain formula. Building designer should verify capacity of bearing surface.
- 5) Provide mechanical connection (by others) of truss to bearing plate at joint(s) 4.
- 6) Provide mechanical connection (by others) of truss to bearing plate capable of withstanding 100 lb uplift at joint(s) 4 except (jt=lb) 2=132.



April 2, 2024

<p><b>WARNING - Verify design parameters and READ NOTES ON THIS AND INCLUDED MITEK REFERENCE PAGE MII-7473 rev. 1/2/2023 BEFORE USE.</b></p> <p>Design valid for use only with MiTek® connectors. This design is based only upon parameters shown, and is for an individual building component, not a truss system. Before use, the building designer must verify the applicability of design parameters and properly incorporate this design into the overall building design. Bracing indicated is to prevent buckling of individual truss web and/or chord members only. Additional temporary and permanent bracing is always required for stability and to prevent collapse with possible personal injury and property damage. For general guidance regarding the fabrication, storage, delivery, erection and bracing of trusses and truss systems, see <b>ANSI/TPI1 Quality Criteria and DSB-22</b> available from Truss Plate Institute (www.tpinst.org) and <b>BCSI Building Component Safety Information</b> available from the Structural Building Component Association (www.sbcacomponents.com)</p>	<p>818 Soundside Road Edenton, NC 27932</p>
---	---

Job J1224-6950	Truss J2	Truss Type MONOPIITCH	Qty 6	Ply 1	Lot 61 Magnolia Hills Job Reference (optional)	I64635022
-------------------	-------------	--------------------------	----------	----------	---	-----------

Comtech, Inc. Fayetteville, NC - 28314,

8.430 s Jan 6 2022 MiTek Industries, Inc. Tue Apr 2 11:08:08 2024 Page 1

ID:aTXuLo?nW09qtpROz2WQ0wydkZW-RfC?PsB70Hq3NSgPqnL8w3ulTXbGKWrCdoi7J4zJC?f



Scale = 1:12.5

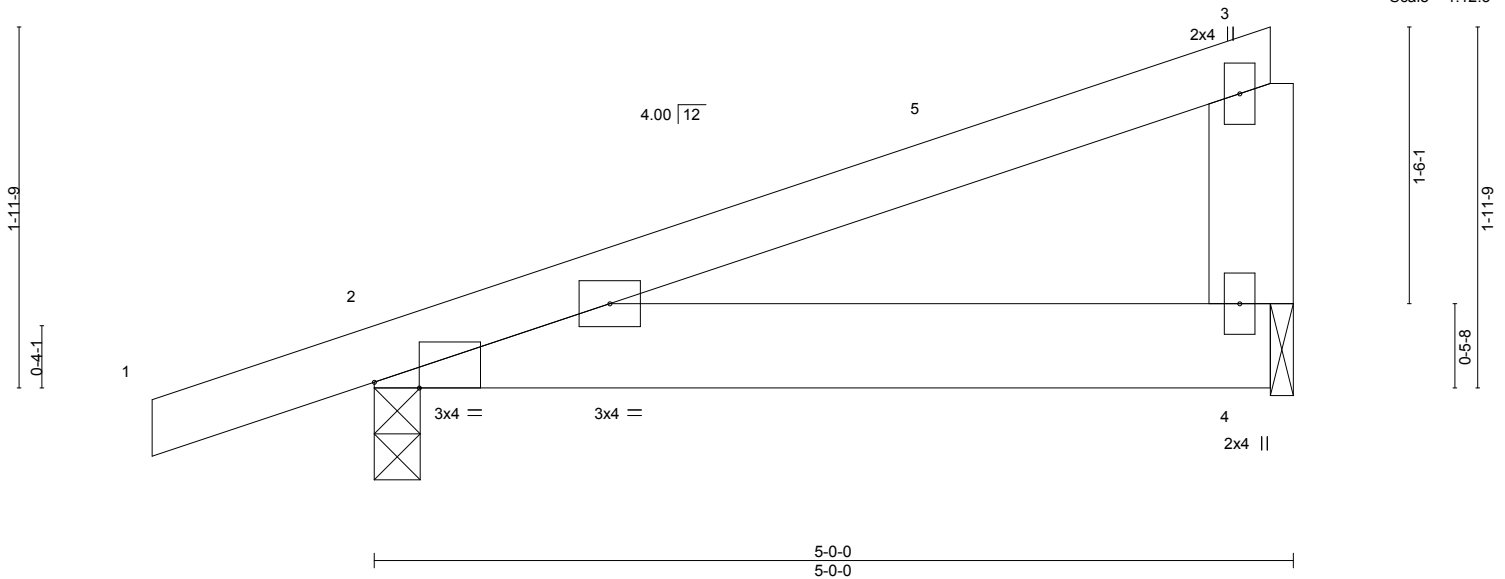


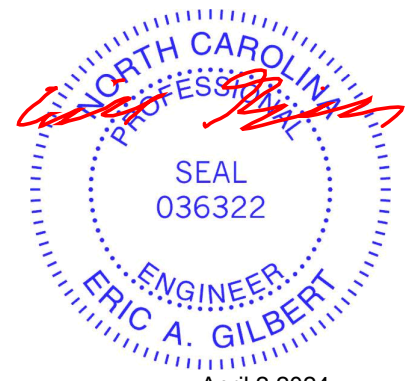
Plate Offsets (X,Y)-- [2:0-2-15,Edge]		CSI.		DEFL.		PLATES		GRIP	
LOADING (psf)	SPACING-	2-0-0	TC	in	(loc)	l/defl	L/d	MT20	244/190
TCLL 20.0	Plate Grip DOL	1.15	0.26	Vert(LL)	-0.01	2-4	>999		
TCDL 10.0	Lumber DOL	1.15	0.08	Vert(CT)	-0.01	2-4	>999		
BCLL 0.0 *	Rep Stress Incr	YES	0.00	Horz(CT)	0.00	n/a	n/a		
BCDL 10.0	Code IRC2015/TPI2014		Matrix-P	Wind(LL)	0.01	2-4	>999	Weight: 24 lb	FT = 20%

LUMBER-		BRACING-	
TOP CHORD	2x4 SP No.1	TOP CHORD	Structural wood sheathing directly applied or 5-0-0 oc purlins, except end verticals.
BOT CHORD	2x6 SP No.1	BOT CHORD	Rigid ceiling directly applied or 10-0-0 oc bracing.
WEBS	2x6 SP No.1		

**REACTIONS.** (size) 2=0-3-0, 4=0-1-8  
 Max Horz 2=72(LC 8)  
 Max Uplift 2=-119(LC 8), 4=-72(LC 8)  
 Max Grav 2=277(LC 1), 4=174(LC 1)

**FORCES.** (lb) - Max. Comp./Max. Ten. - All forces 250 (lb) or less except when shown.

- NOTES-**
- 1) Wind: ASCE 7-10; Vult=130mph Vasd=103mph; TCDL=6.0psf; BCDL=6.0psf; h=15ft; Cat. II; Exp C; Enclosed; MWFRS (envelope) and C-C Exterior(2) -1-2-8 to 3-2-5, Interior(1) 3-2-5 to 4-9-4 zone; porch left exposed; C-C for members and forces & MWFRS for reactions shown; Lumber DOL=1.60 plate grip DOL=1.60
  - 2) This truss has been designed for a 10.0 psf bottom chord live load nonconcurrent with any other live loads.
  - 3) \* This truss has been designed for a live load of 30.0psf on the bottom chord in all areas where a rectangle 3-6-0 tall by 2-0-0 wide will fit between the bottom chord and any other members.
  - 4) Bearing at joint(s) 4 considers parallel to grain value using ANSI/TPI 1 angle to grain formula. Building designer should verify capacity of bearing surface.
  - 5) Provide mechanical connection (by others) of truss to bearing plate at joint(s) 4.
  - 6) Provide mechanical connection (by others) of truss to bearing plate capable of withstanding 100 lb uplift at joint(s) 4 except (jt=lb) 2=119.



Job J1224-6950	Truss J2GE	Truss Type MONOPITCH SUPPORTED	Qty 1	Ply 1	Lot 61 Magnolia Hills Job Reference (optional)	I64635023
-------------------	---------------	-----------------------------------	----------	----------	---	-----------

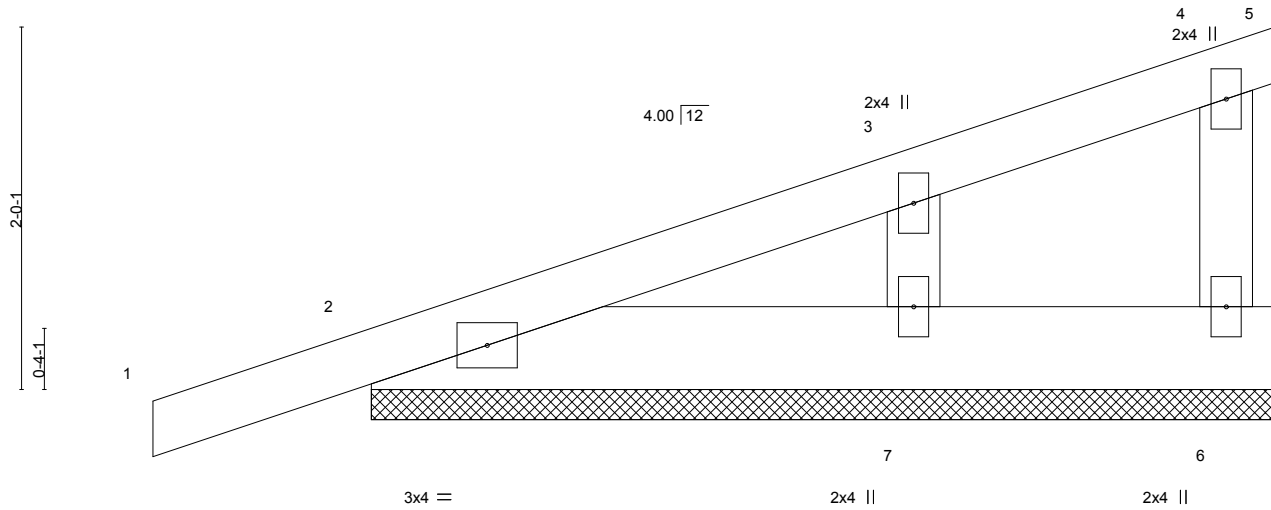
Comtech, Inc. Fayetteville, NC - 28314,

8.430 s Jan 6 2022 MiTek Industries, Inc. Tue Apr 2 11:08:09 2024 Page 1

ID:aTXuLo?nW09qtpROz2WQ0wydkZW-RfC?PsB70Hq3NSgPqnL8w3ulTXbGKwrcDoi7J4zJC?f



Scale = 1:12.7



LOADING (psf)	SPACING-	2-0-0	CSI.	DEFL.	in (loc)	l/defl	L/d	PLATES	GRIP
TCLL 20.0	Plate Grip DOL	1.15	TC 0.07	Vert(LL)	0.00	1	n/r	MT20	244/190
TCDL 10.0	Lumber DOL	1.15	BC 0.02	Vert(CT)	0.00	1	n/r		
BCLL 0.0 *	Rep Stress Incr	YES	WB 0.03	Horz(CT)	-0.00	5	n/a		
BCDL 10.0	Code IRC2015/TPI2014		Matrix-P					Weight: 24 lb	FT = 20%

**LUMBER-**  
TOP CHORD 2x4 SP No.1  
BOT CHORD 2x6 SP No.1  
WEBS 2x4 SP No.2  
OTHERS 2x4 SP No.2

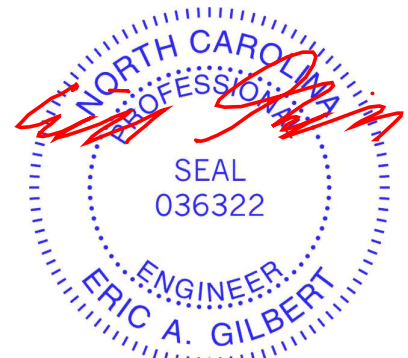
**BRACING-**  
TOP CHORD Structural wood sheathing directly applied or 5-0-0 oc purlins, except end verticals.  
BOT CHORD Rigid ceiling directly applied or 10-0-0 oc bracing.

**REACTIONS.** All bearings 5-0-0.  
(lb) - Max Horz 2=104(LC 8)  
Max Uplift All uplift 100 lb or less at joint(s) 5, 6, 2, 7  
Max Grav All reactions 250 lb or less at joint(s) 5, 6, 2, 7

**FORCES.** (lb) - Max. Comp./Max. Ten. - All forces 250 (lb) or less except when shown.

**NOTES-**

- 1) Wind: ASCE 7-10; Vult=130mph Vasd=103mph; TC DL=6.0psf; BCDL=6.0psf; h=15ft; Cat. II; Exp C; Enclosed; MWFRS (envelope) gable end zone and C-C Exterior(2) zone; C-C for members and forces & MWFRS for reactions shown; Lumber DOL=1.60 plate grip DOL=1.60
- 2) Truss designed for wind loads in the plane of the truss only. For studs exposed to wind (normal to the face), see Standard Industry Gable End Details as applicable, or consult qualified building designer as per ANSI/TPI 1.
- 3) Gable requires continuous bottom chord bearing.
- 4) Gable studs spaced at 2-0-0 oc.
- 5) This truss has been designed for a 10.0 psf bottom chord live load nonconcurrent with any other live loads.
- 6) \* This truss has been designed for a live load of 30.0psf on the bottom chord in all areas where a rectangle 3-6-0 tall by 2-0-0 wide will fit between the bottom chord and any other members.
- 7) Provide mechanical connection (by others) of truss to bearing plate capable of withstanding 100 lb uplift at joint(s) 5, 6, 2, 7.
- 8) Beveled plate or shim required to provide full bearing surface with truss chord at joint(s) 2.



April 2, 2024

**WARNING - Verify design parameters and READ NOTES ON THIS AND INCLUDED MITEK REFERENCE PAGE MII-7473 rev. 1/2/2023 BEFORE USE.**

Design valid for use only with MiTek® connectors. This design is based only upon parameters shown, and is for an individual building component, not a truss system. Before use, the building designer must verify the applicability of design parameters and properly incorporate this design into the overall building design. Bracing indicated is to prevent buckling of individual truss web and/or chord members only. Additional temporary and permanent bracing is always required for stability and to prevent collapse with possible personal injury and property damage. For general guidance regarding the fabrication, storage, delivery, erection and bracing of trusses and truss systems, see **ANSI/TPI1 Quality Criteria and DSB-22** available from Truss Plate Institute (www.tpinst.org) and **BCSI Building Component Safety Information** available from the Structural Building Component Association (www.sbcacomponents.com)



818 Soundside Road  
Edenton, NC 27932

Job J1224-6950	Truss J3	Truss Type MONOPITCH	Qty 9	Ply 1	Lot 61 Magnolia Hills Job Reference (optional)	I64635024
-------------------	-------------	-------------------------	----------	----------	---	-----------

Comtech, Inc. Fayetteville, NC - 28314,

8.430 s Jan 6 2022 MiTek Industries, Inc. Tue Apr 2 11:08:09 2024 Page 1

ID:aTXuLo?nW09qtpROz2WQ0wydkZW-RfC?PsB70Hq3NSgPqnL8w3ulTXbGKWrCDoi7J4zJC?f



Scale = 1:10.1

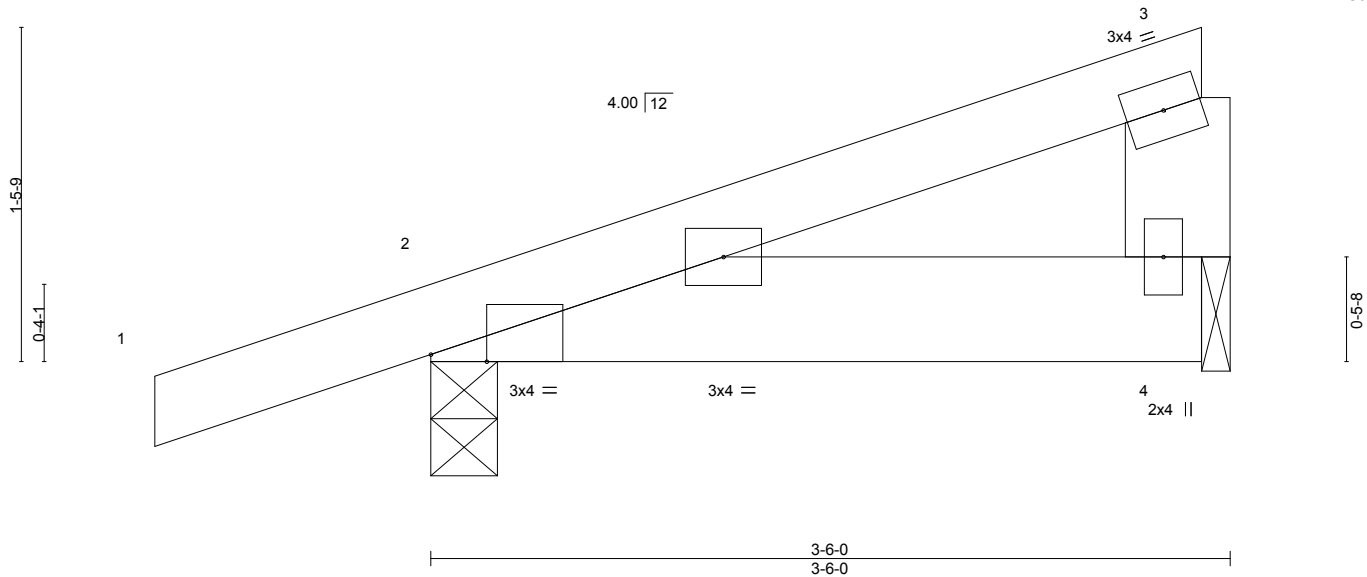


Plate Offsets (X,Y)-- [2:0-2-15,Edge]		CSL		DEFL.				PLATES	GRIP
LOADING (psf)	SPACING- 2-0-0	TC	0.09	in	(loc)	l/defl	L/d	MT20	244/190
TCLL 20.0	Plate Grip DOL 1.15	BC	0.03	Vert(LL)	-0.00	2-4	>999		
TCDL 10.0	Lumber DOL 1.15	WB	0.01	Vert(CT)	-0.00	2-4	>999		
BCLL 0.0 *	Rep Stress Incr YES	Matrix-P		Horz(CT)	0.00	n/a	n/a		
BCDL 10.0	Code IRC2015/TPI2014			Wind(LL)	0.00	2	****	Weight: 17 lb	FT = 20%

LUMBER-		BRACING-	
TOP CHORD	2x4 SP No.1	TOP CHORD	Structural wood sheathing directly applied or 3-6-0 oc purlins.
BOT CHORD	2x6 SP No.1	BOT CHORD	Rigid ceiling directly applied or 10-0-0 oc bracing.
WEBS	2x6 SP No.1		

**REACTIONS.** (size) 2=0-3-8, 4=0-1-8  
 Max Horz 2=56(LC 8)  
 Max Uplift 2=-69(LC 8), 4=-14(LC 12)  
 Max Grav 2=224(LC 1), 4=107(LC 1)

**FORCES.** (lb) - Max. Comp./Max. Ten. - All forces 250 (lb) or less except when shown.

- NOTES-**
- 1) Wind: ASCE 7-10; Vult=130mph Vasd=103mph; TCDL=6.0psf; BCDL=6.0psf; h=15ft; Cat. II; Exp C; Enclosed; MWFRS (envelope) and C-C Exterior(2) zone; C-C for members and forces & MWFRS for reactions shown; Lumber DOL=1.60 plate grip DOL=1.60
  - 2) This truss has been designed for a 10.0 psf bottom chord live load nonconcurrent with any other live loads.
  - 3) \* This truss has been designed for a live load of 30.0psf on the bottom chord in all areas where a rectangle 3-6-0 tall by 2-0-0 wide will fit between the bottom chord and any other members.
  - 4) Bearing at joint(s) 4 considers parallel to grain value using ANSI/TPI 1 angle to grain formula. Building designer should verify capacity of bearing surface.
  - 5) Provide mechanical connection (by others) of truss to bearing plate at joint(s) 4.
  - 6) Provide mechanical connection (by others) of truss to bearing plate capable of withstanding 100 lb uplift at joint(s) 2, 4.



April 2, 2024

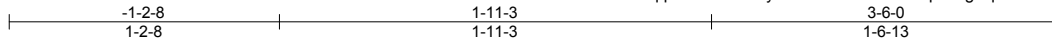
<p><b>WARNING - Verify design parameters and READ NOTES ON THIS AND INCLUDED MITEK REFERENCE PAGE MII-7473 rev. 1/2/2023 BEFORE USE.</b></p> <p>Design valid for use only with MiTek® connectors. This design is based only upon parameters shown, and is for an individual building component, not a truss system. Before use, the building designer must verify the applicability of design parameters and properly incorporate this design into the overall building design. Bracing indicated is to prevent buckling of individual truss web and/or chord members only. Additional temporary and permanent bracing is always required for stability and to prevent collapse with possible personal injury and property damage. For general guidance regarding the fabrication, storage, delivery, erection and bracing of trusses and truss systems, see <b>ANSI/TPI1 Quality Criteria and DSB-22</b> available from Truss Plate Institute (www.tpinst.org) and <b>BCSI Building Component Safety Information</b> available from the Structural Building Component Association (www.sbcacomponents.com)</p>	<p>818 Soundside Road Edenton, NC 27932</p>
---	---

Job J1224-6950	Truss J3GE	Truss Type MONOPITCH SUPPORTED	Qty 2	Ply 1	Lot 61 Magnolia Hills Job Reference (optional)	I64635025
-------------------	---------------	-----------------------------------	----------	----------	---	-----------

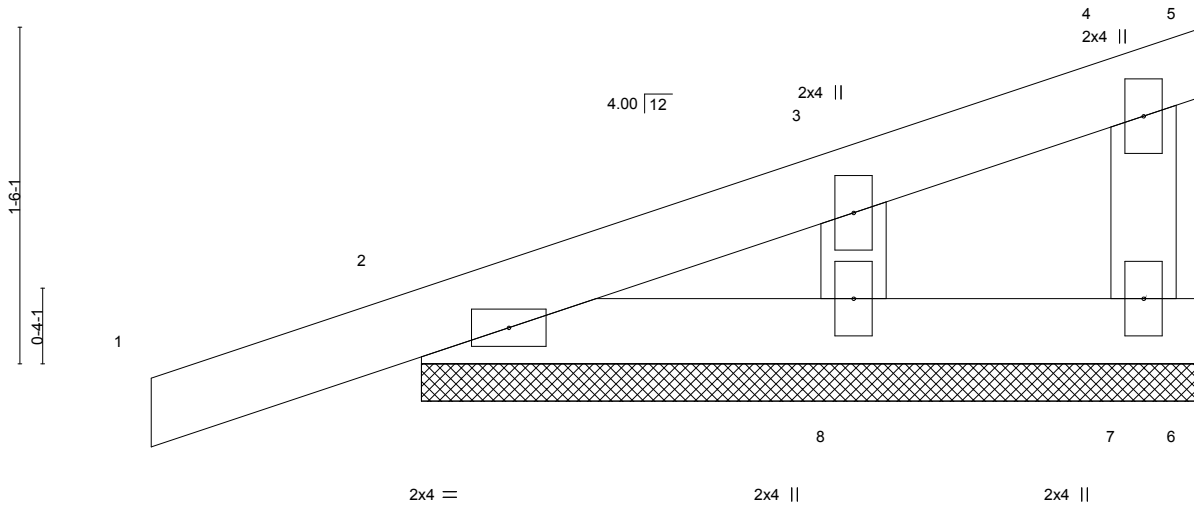
Comtech, Inc. Fayetteville, NC - 28314,

8.430 s Jan 6 2022 MiTek Industries, Inc. Tue Apr 2 11:08:09 2024 Page 1

ID:aTXuLo?nW09qtpROz2WQ0wydkZW-RfC?PsB70Hq3NSgPqnL8w3ulTXbGKWrCDoi7J4zJC?f



Scale = 1:10.3



LOADING (psf)	SPACING-	2-0-0	CSI.	DEFL.	in (loc)	l/defl	L/d	PLATES	GRIP
TCLL 20.0	Plate Grip DOL	1.15	TC 0.07	Vert(LL)	0.00	4	n/r	MT20	244/190
TCDL 10.0	Lumber DOL	1.15	BC 0.02	Vert(CT)	0.00	4	n/r		
BCLL 0.0 *	Rep Stress Incr	YES	WB 0.02	Horz(CT)	0.00		n/a		
BCDL 10.0	Code IRC2015/TPI2014		Matrix-P					Weight: 15 lb	FT = 20%

**LUMBER-**  
TOP CHORD 2x4 SP No.1  
BOT CHORD 2x4 SP No.1  
WEBS 2x4 SP No.2

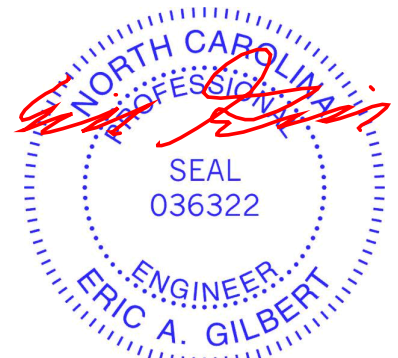
**BRACING-**  
TOP CHORD Structural wood sheathing directly applied or 3-6-0 oc purlins, except end verticals.  
BOT CHORD Rigid ceiling directly applied or 10-0-0 oc bracing.

**REACTIONS.** (size) 7=3-6-0, 2=3-6-0, 8=3-6-0  
Max Horz 2=79(LC 8)  
Max Uplift 7=-26(LC 8), 2=-91(LC 8), 8=-38(LC 12)  
Max Grav 7=52(LC 1), 2=164(LC 1), 8=125(LC 1)

**FORCES.** (lb) - Max. Comp./Max. Ten. - All forces 250 (lb) or less except when shown.

**NOTES-**

- 1) Wind: ASCE 7-10; Vult=130mph Vasd=103mph; TCCL=6.0psf; BCDL=6.0psf; h=15ft; Cat. II; Exp C; Enclosed; MWFRS (envelope) gable end zone and C-C Exterior(2) zone; C-C for members and forces & MWFRS for reactions shown; Lumber DOL=1.60 plate grip DOL=1.60
- 2) Truss designed for wind loads in the plane of the truss only. For studs exposed to wind (normal to the face), see Standard Industry Gable End Details as applicable, or consult qualified building designer as per ANSI/TPI 1.
- 3) Gable requires continuous bottom chord bearing.
- 4) Gable studs spaced at 2-0-0 oc.
- 5) This truss has been designed for a 10.0 psf bottom chord live load nonconcurrent with any other live loads.
- 6) \* This truss has been designed for a live load of 30.0psf on the bottom chord in all areas where a rectangle 3-6-0 tall by 2-0-0 wide will fit between the bottom chord and any other members.
- 7) Provide mechanical connection (by others) of truss to bearing plate capable of withstanding 100 lb uplift at joint(s) 7, 2, 8.



April 2, 2024

**WARNING - Verify design parameters and READ NOTES ON THIS AND INCLUDED MITEK REFERENCE PAGE MII-7473 rev. 1/2/2023 BEFORE USE.**

Design valid for use only with MiTek® connectors. This design is based only upon parameters shown, and is for an individual building component, not a truss system. Before use, the building designer must verify the applicability of design parameters and properly incorporate this design into the overall building design. Bracing indicated is to prevent buckling of individual truss web and/or chord members only. Additional temporary and permanent bracing is always required for stability and to prevent collapse with possible personal injury and property damage. For general guidance regarding the fabrication, storage, delivery, erection and bracing of trusses and truss systems, see **ANSI/TPI1 Quality Criteria and DSB-22** available from Truss Plate Institute (www.tpinst.org) and **BCSI Building Component Safety Information** available from the Structural Building Component Association (www.sbcacomponents.com)



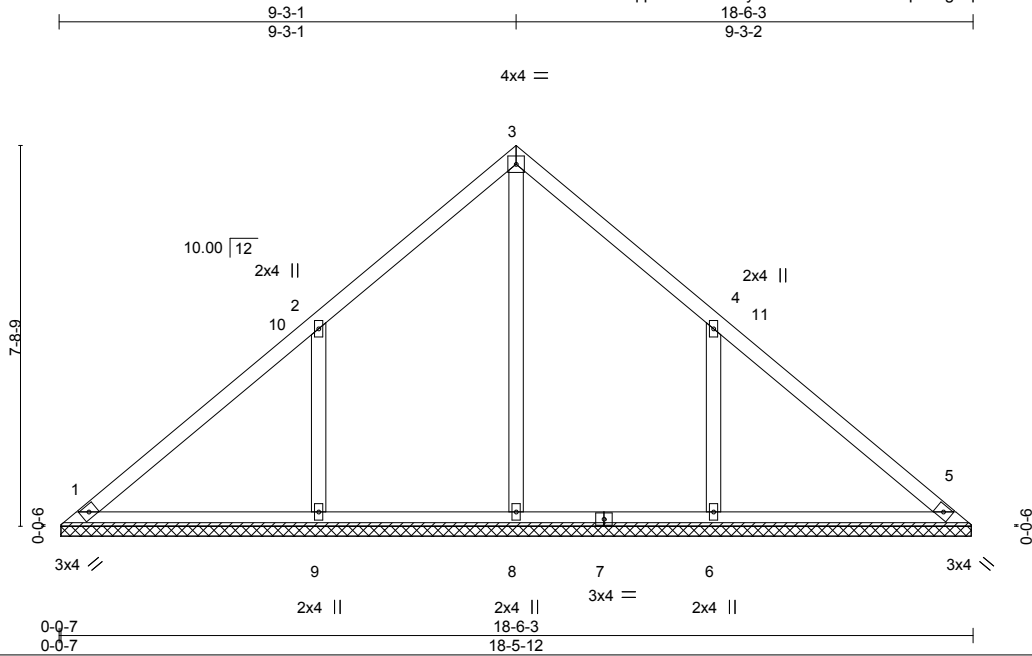
818 Soundside Road  
Edenton, NC 27932

Job J1224-6950	Truss V1	Truss Type VALLEY	Qty 1	Ply 1	Lot 61 Magnolia Hills Job Reference (optional)	I64635026
-------------------	-------------	----------------------	----------	----------	---	-----------

Comtech, Inc. Fayetteville, NC - 28314,

8.430 s Jan 6 2022 MiTek Industries, Inc. Tue Apr 2 11:08:10 2024 Page 1

ID:aTXuLo?nW09qtpROz2WQ0wydkZW-RfC?PsB70Hq3NSgPqnL8w3uITXbGKWrcDoi7J4zJC?f



Scale = 1:46.7

Plate Offsets (X,Y)--	[4:0-0-0,0-0-0]				
<b>LOADING</b> (psf)	<b>SPACING-</b> 2-0-0	<b>CSI.</b>	<b>DEFL.</b> in (loc) l/defl L/d	<b>PLATES</b>	<b>GRIP</b>
TCLL 20.0	Plate Grip DOL 1.15	TC 0.23	Vert(LL) n/a - n/a 999	MT20	244/190
TCDL 10.0	Lumber DOL 1.15	BC 0.18	Vert(CT) n/a - n/a 999		
BCLL 0.0 *	Rep Stress Incr YES	WB 0.13	Horz(CT) 0.00 5 n/a n/a		
BCDL 10.0	Code IRC2015/TPI2014	Matrix-S		Weight: 84 lb	FT = 20%

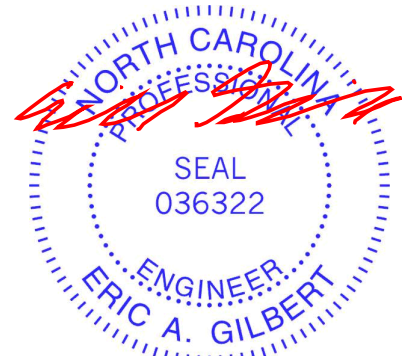
**LUMBER-**  
TOP CHORD 2x4 SP No.1  
BOT CHORD 2x4 SP No.1  
OTHERS 2x4 SP No.2

**BRACING-**  
TOP CHORD Structural wood sheathing directly applied or 6-0-0 oc purlins.  
BOT CHORD Rigid ceiling directly applied or 10-0-0 oc bracing.

**REACTIONS.** All bearings 18-5-5.  
(lb) - Max Horz 1=177(LC 11)  
Max Uplift All uplift 100 lb or less at joint(s) 1 except 9=-172(LC 12), 6=-172(LC 13)  
Max Grav All reactions 250 lb or less at joint(s) 1, 5 except 8=411(LC 22), 9=560(LC 19), 6=560(LC 20)

**FORCES.** (lb) - Max. Comp./Max. Ten. - All forces 250 (lb) or less except when shown.  
WEBS 2-9=-428/293, 4-6=-428/292

- NOTES-**
- Unbalanced roof live loads have been considered for this design.
  - Wind: ASCE 7-10; Vult=130mph Vasd=103mph; TCDL=6.0psf; BCDL=6.0psf; h=15ft; Cat. II; Exp C; Enclosed; MWFRS (envelope) and C-C Exterior(2) 0-4-13 to 4-9-10, Interior(1) 4-9-10 to 9-3-1, Exterior(2) 9-3-1 to 13-7-14, Interior(1) 13-7-14 to 18-1-6 zone; C-C for members and forces & MWFRS for reactions shown; Lumber DOL=1.60 plate grip DOL=1.60
  - Gable requires continuous bottom chord bearing.
  - This truss has been designed for a 10.0 psf bottom chord live load nonconcurrent with any other live loads.
  - \* This truss has been designed for a live load of 30.0psf on the bottom chord in all areas where a rectangle 3-6-0 tall by 2-0-0 wide will fit between the bottom chord and any other members, with BCDL = 10.0psf.
  - Provide mechanical connection (by others) of truss to bearing plate capable of withstanding 100 lb uplift at joint(s) 1 except (jt=lb) 9=172, 6=172.



April 2, 2024

**WARNING - Verify design parameters and READ NOTES ON THIS AND INCLUDED MITEK REFERENCE PAGE MII-7473 rev. 1/2/2023 BEFORE USE.**  
Design valid for use only with MiTek® connectors. This design is based only upon parameters shown, and is for an individual building component, not a truss system. Before use, the building designer must verify the applicability of design parameters and properly incorporate this design into the overall building design. Bracing indicated is to prevent buckling of individual truss web and/or chord members only. Additional temporary and permanent bracing is always required for stability and to prevent collapse with possible personal injury and property damage. For general guidance regarding the fabrication, storage, delivery, erection and bracing of trusses and truss systems, see **ANSI/TP1 Quality Criteria and DSB-22** available from Truss Plate Institute (www.tpinst.org) and **BCSI Building Component Safety Information** available from the Structural Building Component Association (www.sbcacomponents.com)



818 Soundside Road  
Edenton, NC 27932



Job J1224-6950	Truss V2	Truss Type VALLEY	Qty 1	Ply 1	Lot 61 Magnolia Hills Job Reference (optional)	I64635027
-------------------	-------------	----------------------	----------	----------	---	-----------

Comtech, Inc. Fayetteville, NC - 28314,

8.430 s Jan 6 2022 MiTek Industries, Inc. Tue Apr 2 11:08:10 2024 Page 1

ID:aTXuLo?nW09qtpROz2WQ0wydkZW-RfC?PsB70Hq3NSgPqnL8w3ulTXbGKWrCDoi7J4zJC?f



4x4 =

Scale = 1:41.4

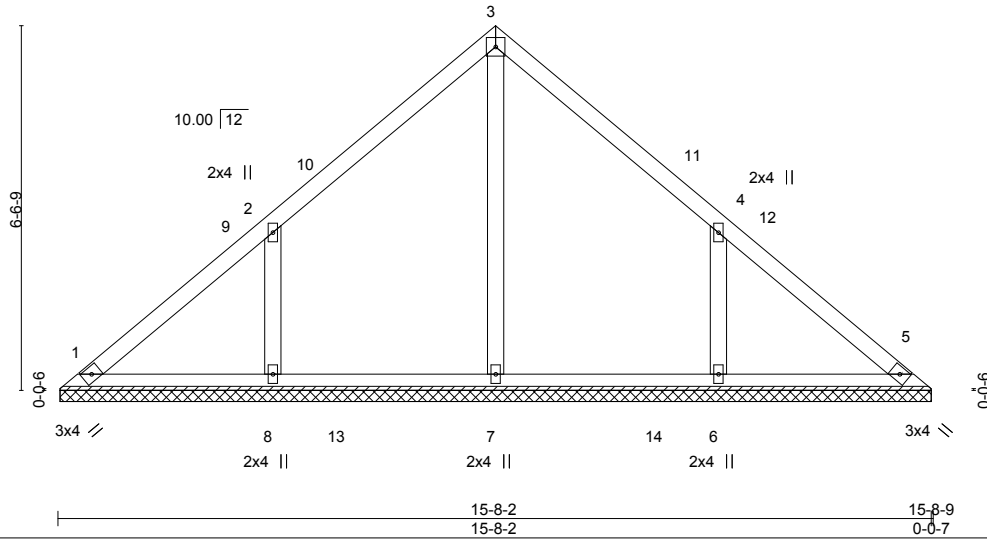


Plate Offsets (X,Y)--	[4:0-0-0,0-0-0]
-----------------------	-----------------

LOADING (psf)	SPACING-	2-0-0	CSI.	DEFL.	in (loc)	l/defl	L/d	PLATES	GRIP
TCLL 20.0	Plate Grip DOL	1.15	TC 0.15	Vert(LL)	n/a	-	n/a	MT20	244/190
TCDL 10.0	Lumber DOL	1.15	BC 0.17	Vert(CT)	n/a	-	n/a		
BCLL 0.0 *	Rep Stress Incr	YES	WB 0.10	Horz(CT)	0.00	5	n/a		
BCDL 10.0	Code IRC2015/TPI2014		Matrix-S					Weight: 69 lb	FT = 20%

LUMBER-	BRACING-
TOP CHORD 2x4 SP No.1	TOP CHORD Structural wood sheathing directly applied or 6-0-0 oc purlins.
BOT CHORD 2x4 SP No.1	BOT CHORD Rigid ceiling directly applied or 10-0-0 oc bracing.
OTHERS 2x4 SP No.2	

**REACTIONS.** All bearings 15-7-11.  
 (lb) - Max Horz 1=-149(LC 8)  
 Max Uplift All uplift 100 lb or less at joint(s) 1 except 8=-143(LC 12), 6=-142(LC 13)  
 Max Grav All reactions 250 lb or less at joint(s) 1, 5 except 7=411(LC 19), 8=429(LC 19), 6=429(LC 20)

**FORCES.** (lb) - Max. Comp./Max. Ten. - All forces 250 (lb) or less except when shown.  
 WEBS 2-8=-356/254, 4-6=-356/254

- NOTES-**
- Unbalanced roof live loads have been considered for this design.
  - Wind: ASCE 7-10; Vult=130mph Vasd=103mph; TCDL=6.0psf; BCDL=6.0psf; h=15ft; Cat. II; Exp C; Enclosed; MWFRS (envelope) and C-C Exterior(2) 0-4-13 to 4-9-10, Interior(1) 4-9-10 to 7-10-5, Exterior(2) 7-10-5 to 12-3-1, Interior(1) 12-3-1 to 15-3-12 zone; C-C for members and forces & MWFRS for reactions shown; Lumber DOL=1.60 plate grip DOL=1.60
  - Gable requires continuous bottom chord bearing.
  - This truss has been designed for a 10.0 psf bottom chord live load nonconcurrent with any other live loads.
  - \* This truss has been designed for a live load of 30.0psf on the bottom chord in all areas where a rectangle 3-6-0 tall by 2-0-0 wide will fit between the bottom chord and any other members, with BCDL = 10.0psf.
  - Provide mechanical connection (by others) of truss to bearing plate capable of withstanding 100 lb uplift at joint(s) 1 except (jt=lb) 8=143, 6=142.

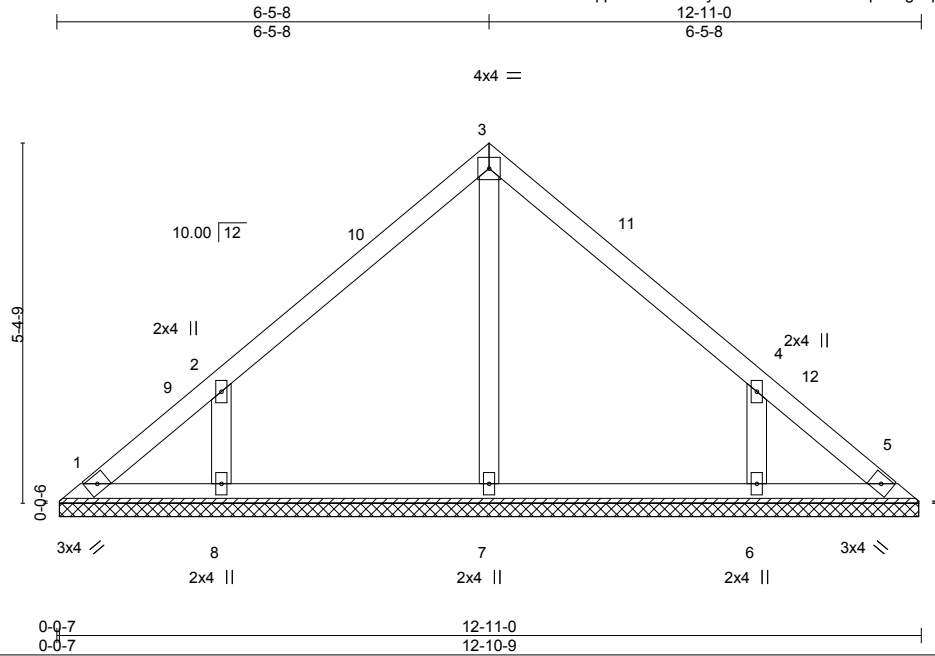


Job J1224-6950	Truss V3	Truss Type VALLEY	Qty 1	Ply 1	Lot 61 Magnolia Hills Job Reference (optional)	I64635028
-------------------	-------------	----------------------	----------	----------	---	-----------

Comtech, Inc. Fayetteville, NC - 28314,

8.430 s Jan 6 2022 MiTek Industries, Inc. Tue Apr 2 11:08:11 2024 Page 1

ID:aTXuLo?nW09qtpROz2WQ0wydkZW-RfC?PsB70Hq3NSgPqnL8w3ulTXbGKWrCDoi7J4zJC?f



Scale = 1:34.4

LOADING (psf)	SPACING-	2-0-0	CSI.	DEFL.	in (loc)	l/defl	L/d	PLATES	GRIP
TCLL 20.0	Plate Grip DOL	1.15	TC 0.13	Vert(LL)	n/a	-	n/a	MT20	244/190
TCDL 10.0	Lumber DOL	1.15	BC 0.09	Vert(CT)	n/a	-	n/a		
BCLL 0.0 *	Rep Stress Incr	YES	WB 0.07	Horz(CT)	0.00	5	n/a		
BCDL 10.0	Code IRC2015/TPI2014		Matrix-S					Weight: 54 lb	FT = 20%

<b>LUMBER-</b>	<b>BRACING-</b>
TOP CHORD 2x4 SP No.1	TOP CHORD Structural wood sheathing directly applied or 6'-0-0 oc purlins.
BOT CHORD 2x4 SP No.1	BOT CHORD Rigid ceiling directly applied or 10'-0-0 oc bracing.
OTHERS 2x4 SP No.2	

**REACTIONS.** All bearings 12-10-1.  
 (lb) - Max Horz 1=-121(LC 8)  
 Max Uplift All uplift 100 lb or less at joint(s) 1, 5 except 8=-124(LC 12), 6=-124(LC 13)  
 Max Grav All reactions 250 lb or less at joint(s) 1, 5, 7 except 8=330(LC 19), 6=330(LC 20)

**FORCES.** (lb) - Max. Comp./Max. Ten. - All forces 250 (lb) or less except when shown.  
 WEBS 2-8=-314/239, 4-6=-314/239

- NOTES-**
- 1) Unbalanced roof live loads have been considered for this design.
  - 2) Wind: ASCE 7-10; Vult=130mph Vasd=103mph; TC DL=6.0psf; BC DL=6.0psf; h=15ft; Cat. II; Exp C; Enclosed; MWFRS (envelope) and C-C Exterior(2) 0-4-13 to 4-9-10, Interior(1) 4-9-10 to 6-5-8, Exterior(2) 6-5-8 to 10-10-5, Interior(1) 10-10-5 to 12-6-3 zone; C-C for members and forces & MWFRS for reactions shown; Lumber DOL=1.60 plate grip DOL=1.60
  - 3) This truss has been designed for a 10.0 psf bottom chord live load nonconcurrent with any other live loads.
  - 4) \* This truss has been designed for a live load of 30.0psf on the bottom chord in all areas where a rectangle 3-6-0 tall by 2-0-0 wide will fit between the bottom chord and any other members.
  - 5) Provide mechanical connection (by others) of truss to bearing plate capable of withstanding 100 lb uplift at joint(s) 1, 5 except (jt=lb) 8=124, 6=124.
  - 6) Non Standard bearing condition. Review required.



April 2, 2024

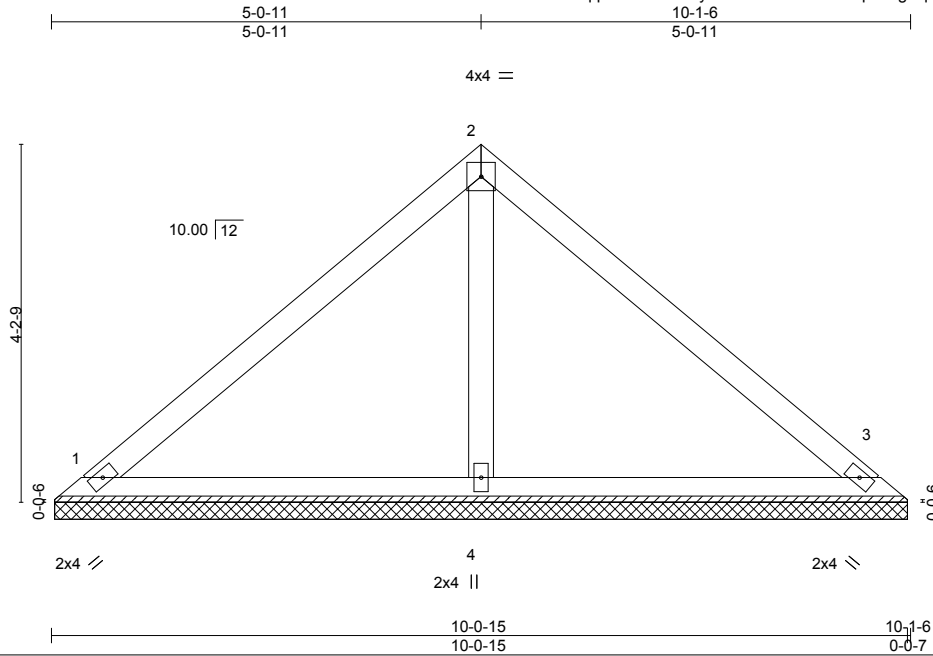
<p><b>WARNING - Verify design parameters and READ NOTES ON THIS AND INCLUDED MITEK REFERENCE PAGE MII-7473 rev. 1/2/2023 BEFORE USE.</b></p> <p>Design valid for use only with MiTek® connectors. This design is based only upon parameters shown, and is for an individual building component, not a truss system. Before use, the building designer must verify the applicability of design parameters and properly incorporate this design into the overall building design. Bracing indicated is to prevent buckling of individual truss web and/or chord members only. Additional temporary and permanent bracing is always required for stability and to prevent collapse with possible personal injury and property damage. For general guidance regarding the fabrication, storage, delivery, erection and bracing of trusses and truss systems, see <b>ANSI/TP1 Quality Criteria and DSB-22</b> available from Truss Plate Institute (www.tpinst.org) and <b>BCSI Building Component Safety Information</b> available from the Structural Building Component Association (www.sbcacomponents.com)</p>	<p>ENGINEERING BY</p> <p><b>TRENCO</b></p> <p>A MiTek Affiliate</p> <p>818 Soundside Road Edenton, NC 27932</p>
--	---

Job J1224-6950	Truss V4	Truss Type VALLEY	Qty 1	Ply 1	Lot 61 Magnolia Hills Job Reference (optional)	I64635029
-------------------	-------------	----------------------	----------	----------	---	-----------

Comtech, Inc. Fayetteville, NC - 28314,

8.430 s Jan 6 2022 MiTek Industries, Inc. Tue Apr 2 11:08:11 2024 Page 1

ID:aTXuLo?nW09qtpROz2WQ0wydkZW-RfC?PsB70Hq3NSgPqnL8w3ulTXbGKWrCDoi7J4zJC?f



Scale = 1:27.1

LOADING (psf)	SPACING-	CSI.	DEFL.	in (loc)	l/defl	L/d	PLATES	GRIP
TCLL 20.0	2-0-0	TC 0.23	Vert(LL)	n/a	-	n/a	MT20	244/190
TCDL 10.0	Plate Grip DOL 1.15	BC 0.16	Vert(CT)	n/a	-	n/a		
BCLL 0.0 *	Lumber DOL 1.15	WB 0.06	Horz(CT)	0.00	3	n/a		
BCDL 10.0	Rep Stress Incr YES	Matrix-S					Weight: 38 lb	FT = 20%
	Code IRC2015/TPI2014							

**LUMBER-**  
 TOP CHORD 2x4 SP No.1  
 BOT CHORD 2x4 SP No.1  
 OTHERS 2x4 SP No.2

**BRACING-**  
 TOP CHORD Structural wood sheathing directly applied or 6-0-0 oc purlins.  
 BOT CHORD Rigid ceiling directly applied or 10-0-0 oc bracing.

**REACTIONS.** (size) 1=10-0-8, 3=10-0-8, 4=10-0-8  
 Max Horz 1=93(LC 11)  
 Max Uplift 1=22(LC 13), 3=30(LC 13)  
 Max Grav 1=199(LC 1), 3=199(LC 1), 4=347(LC 1)

**FORCES.** (lb) - Max. Comp./Max. Ten. - All forces 250 (lb) or less except when shown.

**NOTES-**

- 1) Unbalanced roof live loads have been considered for this design.
- 2) Wind: ASCE 7-10; Vult=130mph Vasd=103mph; TC DL=6.0psf; BC DL=6.0psf; h=15ft; Cat. II; Exp C; Enclosed; MWFRS (envelope) and C-C Exterior(2) zone; C-C for members and forces & MWFRS for reactions shown; Lumber DOL=1.60 plate grip DOL=1.60
- 3) Gable requires continuous bottom chord bearing.
- 4) This truss has been designed for a 10.0 psf bottom chord live load nonconcurrent with any other live loads.
- 5) \* This truss has been designed for a live load of 30.0psf on the bottom chord in all areas where a rectangle 3-6-0 tall by 2-0-0 wide will fit between the bottom chord and any other members.
- 6) Provide mechanical connection (by others) of truss to bearing plate capable of withstanding 100 lb uplift at joint(s) 1, 3.



April 2, 2024

**WARNING - Verify design parameters and READ NOTES ON THIS AND INCLUDED MITEK REFERENCE PAGE MII-7473 rev. 1/2/2023 BEFORE USE.**

Design valid for use only with MiTek® connectors. This design is based only upon parameters shown, and is for an individual building component, not a truss system. Before use, the building designer must verify the applicability of design parameters and properly incorporate this design into the overall building design. Bracing indicated is to prevent buckling of individual truss web and/or chord members only. Additional temporary and permanent bracing is always required for stability and to prevent collapse with possible personal injury and property damage. For general guidance regarding the fabrication, storage, delivery, erection and bracing of trusses and truss systems, see **ANSI/TPI1 Quality Criteria and DSB-22** available from Truss Plate Institute ([www.tpinst.org](http://www.tpinst.org)) and **BCSI Building Component Safety Information** available from the Structural Building Component Association ([www.sbcacomponents.com](http://www.sbcacomponents.com))



818 Soundside Road  
 Edenton, NC 27932

Job J1224-6950	Truss V5	Truss Type VALLEY	Qty 1	Ply 1	Lot 61 Magnolia Hills Job Reference (optional)	I64635030
-------------------	-------------	----------------------	----------	----------	---	-----------

Comtech, Inc. Fayetteville, NC - 28314,

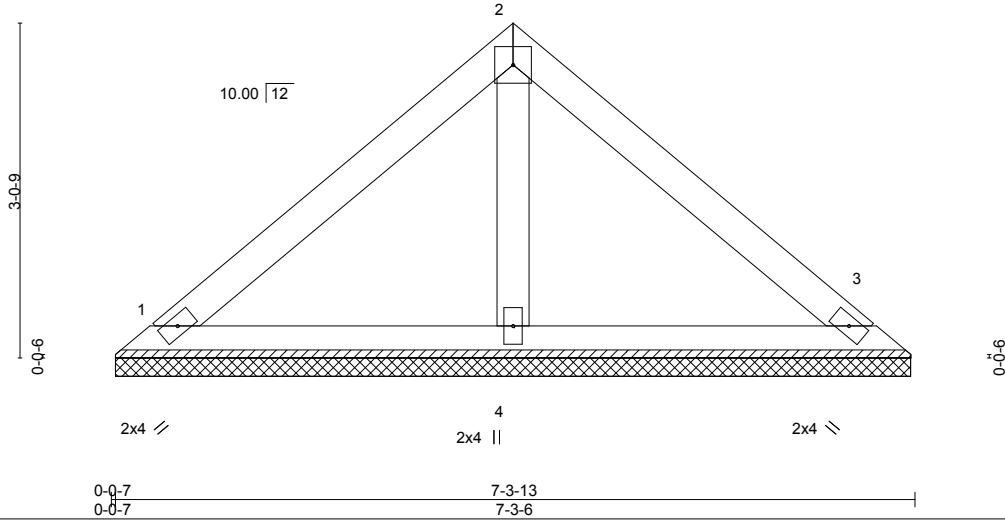
8.430 s Jan 6 2022 MiTek Industries, Inc. Tue Apr 2 11:08:12 2024 Page 1

ID:aTXuLo?nW09qtpROz2WQ0wydkZW-RfC?PsB70Hq3NSgPqnL8w3uITXbGKWrCDoi7J4zJC?f



4x4 =

Scale = 1:21.0



LOADING (psf)	SPACING-	2-0-0	CSI.	DEFL.	in (loc)	l/defl	L/d	PLATES	GRIP
TCLL 20.0	Plate Grip DOL	1.15	TC 0.15	Vert(LL)	n/a	-	n/a	MT20	244/190
TCDL 10.0	Lumber DOL	1.15	BC 0.08	Vert(CT)	n/a	-	n/a		
BCLL 0.0 *	Rep Stress Incr	YES	WB 0.02	Horz(CT)	0.00	3	n/a		
BCDL 10.0	Code IRC2015/TPI2014		Matrix-P					Weight: 27 lb	FT = 20%

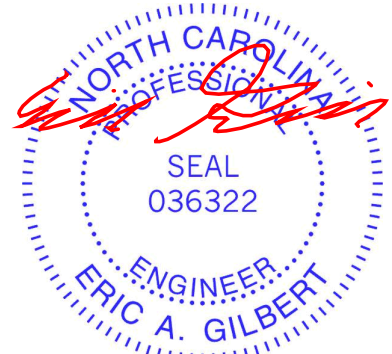
**LUMBER-**  
 TOP CHORD 2x4 SP No.1  
 BOT CHORD 2x4 SP No.1  
 OTHERS 2x4 SP No.2

**BRACING-**  
 TOP CHORD Structural wood sheathing directly applied or 6-0-0 oc purlins.  
 BOT CHORD Rigid ceiling directly applied or 10-0-0 oc bracing.

**REACTIONS.** (size) 1=7-2-14, 3=7-2-14, 4=7-2-14  
 Max Horz 1=-65(LC 8)  
 Max Uplift 1=-23(LC 13), 3=-29(LC 13)  
 Max Grav 1=151(LC 1), 3=151(LC 1), 4=220(LC 1)

**FORCES.** (lb) - Max. Comp./Max. Ten. - All forces 250 (lb) or less except when shown.

- NOTES-**
- 1) Unbalanced roof live loads have been considered for this design.
  - 2) Wind: ASCE 7-10; Vult=130mph Vasd=103mph; TC DL=6.0psf; BCDL=6.0psf; h=15ft; Cat. II; Exp C; Enclosed; MWFRS (envelope) and C-C Exterior(2) zone; C-C for members and forces & MWFRS for reactions shown; Lumber DOL=1.60 plate grip DOL=1.60
  - 3) This truss has been designed for a 10.0 psf bottom chord live load nonconcurrent with any other live loads.
  - 4) \* This truss has been designed for a live load of 30.0psf on the bottom chord in all areas where a rectangle 3-6-0 tall by 2-0-0 wide will fit between the bottom chord and any other members.
  - 5) Provide mechanical connection (by others) of truss to bearing plate capable of withstanding 100 lb uplift at joint(s) 1, 3.
  - 6) Non Standard bearing condition. Review required.



April 2, 2024

**WARNING - Verify design parameters and READ NOTES ON THIS AND INCLUDED MITEK REFERENCE PAGE MII-7473 rev. 1/2/2023 BEFORE USE.**  
 Design valid for use only with MiTek® connectors. This design is based only upon parameters shown, and is for an individual building component, not a truss system. Before use, the building designer must verify the applicability of design parameters and properly incorporate this design into the overall building design. Bracing indicated is to prevent buckling of individual truss web and/or chord members only. Additional temporary and permanent bracing is always required for stability and to prevent collapse with possible personal injury and property damage. For general guidance regarding the fabrication, storage, delivery, erection and bracing of trusses and truss systems, see **ANSI/TPI1 Quality Criteria and DSB-22** available from Truss Plate Institute (www.tpinst.org) and **BCSI Building Component Safety Information** available from the Structural Building Component Association (www.sbcacomponents.com)

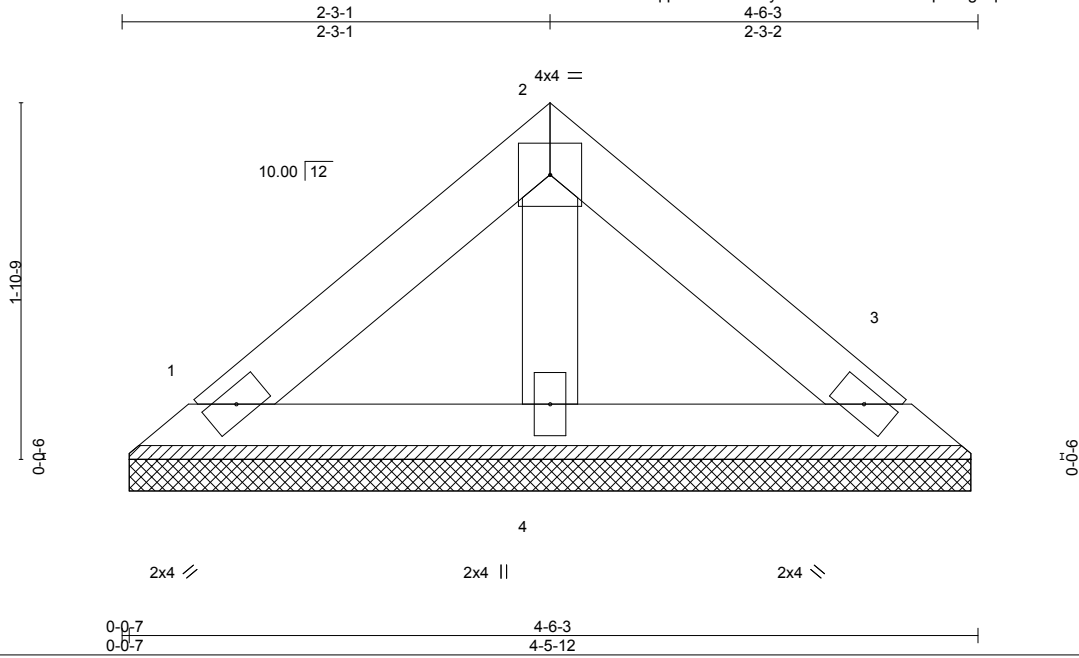
ENGINEERING BY  
**TRENCO**  
 A MiTek Affiliate  
 818 Soundside Road  
 Edenton, NC 27932

Job J1224-6950	Truss V6	Truss Type VALLEY	Qty 1	Ply 1	Lot 61 Magnolia Hills Job Reference (optional)	I64635031
-------------------	-------------	----------------------	----------	----------	---	-----------

Comtech, Inc. Fayetteville, NC - 28314,

8.430 s Jan 6 2022 MiTek Industries, Inc. Tue Apr 2 11:08:12 2024 Page 1

ID:aTXuLo?nW09qtpROz2WQ0wydkZW-RfC?PsB70Hq3NSgPqnL8w3uITXbGKWrcDoi7J4zJC?f



Scale = 1:12.2

LOADING (psf)	SPACING-	CSI.	DEFL.	in (loc)	l/defl	L/d	PLATES	GRIP
TCLL 20.0	2-0-0	TC 0.05	Vert(LL)	n/a	-	n/a	MT20	244/190
TCDL 10.0	Plate Grip DOL 1.15	BC 0.03	Vert(CT)	n/a	-	n/a		
BCLL 0.0 *	Lumber DOL 1.15	WB 0.01	Horz(CT)	0.00	3	n/a		
BCDL 10.0	Rep Stress Incr YES	Matrix-P					Weight: 16 lb	FT = 20%
	Code IRC2015/TPI2014							

**LUMBER-**  
TOP CHORD 2x4 SP No.1  
BOT CHORD 2x4 SP No.1  
OTHERS 2x4 SP No.2

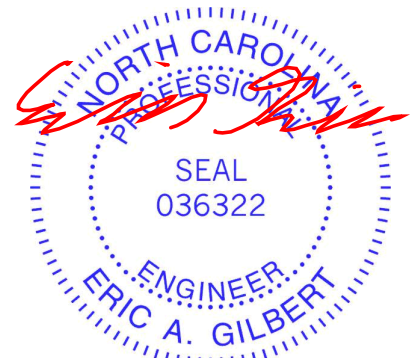
**BRACING-**  
TOP CHORD Structural wood sheathing directly applied or 4-6-3 oc purlins.  
BOT CHORD Rigid ceiling directly applied or 10-0-0 oc bracing.

**REACTIONS.** (size) 1=4-5-5, 3=4-5-5, 4=4-5-5  
Max Horz 1=-37(LC 8)  
Max Uplift 1=-13(LC 13), 3=-16(LC 13)  
Max Grav 1=86(LC 1), 3=86(LC 1), 4=125(LC 1)

**FORCES.** (lb) - Max. Comp./Max. Ten. - All forces 250 (lb) or less except when shown.

**NOTES-**

- 1) Unbalanced roof live loads have been considered for this design.
- 2) Wind: ASCE 7-10; Vult=130mph Vasd=103mph; TC DL=6.0psf; BCDL=6.0psf; h=15ft; Cat. II; Exp C; Enclosed; MWFRS (envelope) and C-C Exterior(2) zone; C-C for members and forces & MWFRS for reactions shown; Lumber DOL=1.60 plate grip DOL=1.60
- 3) Gable requires continuous bottom chord bearing.
- 4) This truss has been designed for a 10.0 psf bottom chord live load nonconcurrent with any other live loads.
- 5) \* This truss has been designed for a live load of 30.0psf on the bottom chord in all areas where a rectangle 3-6-0 tall by 2-0-0 wide will fit between the bottom chord and any other members.
- 6) Provide mechanical connection (by others) of truss to bearing plate capable of withstanding 100 lb uplift at joint(s) 1, 3.



April 2, 2024

**WARNING - Verify design parameters and READ NOTES ON THIS AND INCLUDED MITEK REFERENCE PAGE MII-7473 rev. 1/2/2023 BEFORE USE.**

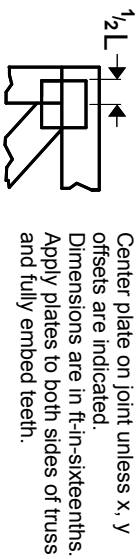
Design valid for use only with MiTek® connectors. This design is based only upon parameters shown, and is for an individual building component, not a truss system. Before use, the building designer must verify the applicability of design parameters and properly incorporate this design into the overall building design. Bracing indicated is to prevent buckling of individual truss web and/or chord members only. Additional temporary and permanent bracing is always required for stability and to prevent collapse with possible personal injury and property damage. For general guidance regarding the fabrication, storage, delivery, erection and bracing of trusses and truss systems, see **ANSI/TPI1 Quality Criteria and DSB-22** available from Truss Plate Institute ([www.tpinst.org](http://www.tpinst.org)) and **BCSI Building Component Safety Information** available from the Structural Building Component Association ([www.sbcacomponents.com](http://www.sbcacomponents.com))

ENGINEERING BY  
**TRENCO**  
A MiTek Affiliate

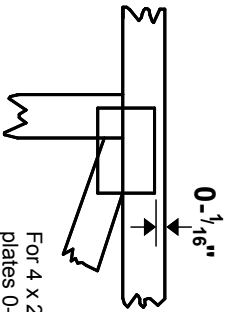
818 Soundside Road  
Edenton, NC 27932

# Symbols

## PLATE LOCATION AND ORIENTATION



Center plate on joint unless x, y offsets are indicated. Dimensions are in ft-in-sixteenths. Apply plates to both sides of truss and fully embed teeth.



For 4 x 2 orientation, locate plates 0- 1/16\" from outside edge of truss.



This symbol indicates the required direction of slots in connector plates.

\* Plate location details available in MITek software or upon request.

## PLATE SIZE

4 X 4

The first dimension is the plate width measured perpendicular to slots. Second dimension is the length parallel to slots.

## LATERAL BRACING LOCATION



Indicated by symbol shown and/or by text in the bracing section of the output. Use T or I bracing if indicated.

## BEARING

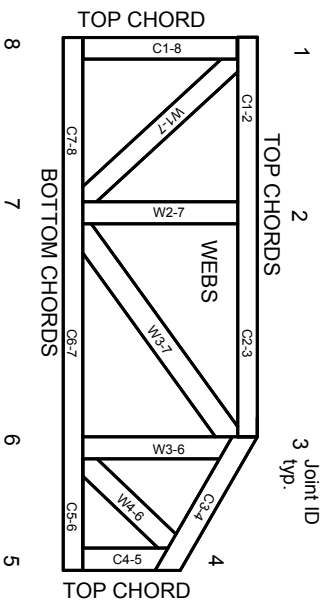


Indicates location where bearings (supports) occur. Icons vary but reaction section indicates joint number/letter where bearings occur. Min size shown is for crushing only.

## Industry Standards:

ANSI/TFP 1: National Design Specification for Metal Plate Connected Wood Truss Construction.  
DSB-22: Design Standard for Bracing.  
BCSI: Building Component Safety Information, Guide to Good Practice for Handling, Installing, Restraining & Bracing of Metal Plate Connected Wood Trusses.

# Numbering System



JOINTS ARE GENERALLY NUMBERED/LETTERED CLOCKWISE AROUND THE TRUSS STARTING AT THE JOINT FARTHEST TO THE LEFT.

CHORDS AND WEBS ARE IDENTIFIED BY END JOINT NUMBERS/LETTERS.

# Product Code Approvals

ICC-ES Reports:

ESR-1988, ESR-2362, ESR-2685, ESR-3282  
ESR-4722, ESL-1388

# Design General Notes

Trusses are designed for wind loads in the plane of the truss unless otherwise shown.

Lumber design values are in accordance with ANSI/TFP 1 section 6.3. These truss designs rely on Lumber values established by others.

© 2023 MITek® All Rights Reserved

**MITek**

ENGINEERING BY  
**TRANGO**  
A MITek Affiliate

MITek Engineering Reference Sheet: MI-7473 rev. 1/2/2023

# General Safety Notes

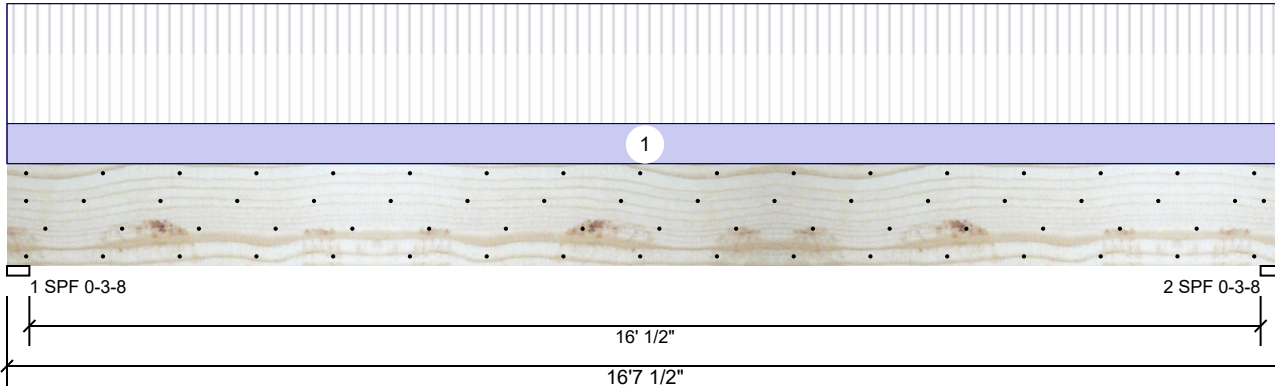
## Failure to Follow Could Cause Property Damage or Personal Injury

1. Additional stability bracing for truss system, e.g. diagonal or X-bracing, is always required. See BCSI.
2. Truss bracing must be designed by an engineer. For wide truss spacing, individual lateral braces themselves may require bracing, or alternative Tor I bracing should be considered.
3. Never exceed the design loading shown and never stack materials on inadequately braced trusses.
4. Provide copies of this truss design to the building designer, erection supervisor, property owner and all other interested parties.
5. Cut members to bear tightly against each other.
6. Place plates on each face of truss at each joint and embed fully. Knots and wane at joint locations are regulated by ANSI/TFP 1.
7. Design assumes trusses will be suitably protected from the environment in accord with ANSI/TFP 1.
8. Unless otherwise noted, moisture content of lumber shall not exceed 19% at time of fabrication.
9. Unless expressly noted, this design is not applicable for use with fire retardant, preservative treated, or green lumber.
10. Camber is a non-structural consideration and is the responsibility of truss fabricator. General practice is to camber for dead load deflection.
11. Plate type, size, orientation and location dimensions indicated are minimum plating requirements.
12. Lumber used shall be of the species and size, and in all respects, equal to or better than that specified.
13. Top chords must be sheathed or purlins provided at spacing indicated on design.
14. Bottom chords require lateral bracing at 10 ft. spacing, or less, if no ceiling is installed, unless otherwise noted.
15. Connections not shown are the responsibility of others.
16. Do not cut or alter truss member or plate without prior approval of an engineer.
17. Install and load vertically unless indicated otherwise.
18. Use of green or treated lumber may pose unacceptable environmental, health or performance risks. Consult with project engineer before use.
19. Review all portions of this design (front, back, words and pictures) before use. Reviewing pictures alone is not sufficient.
20. Design assumes manufacture in accordance with ANSI/TFP 1 Quality Criteria.
21. The design does not take into account any dynamic or other loads other than those expressly stated.



**BM1 Kerto-S LVL 1.750" X 16.000" 2-Ply - PASSED**

Level: Level



**Member Information**

Type:	Girder	Application:	Floor
Plies:	2	Design Method:	ASD
Moisture Condition:	Dry	Building Code:	IBC 2012
Deflection LL:	480	Load Sharing:	No
Deflection TL:	240	Deck:	Not Checked
Importance:	Normal - II		
Temperature:	Temp <= 100°F		

**Reactions UNPATTERNED lb (Uplift)**

Brg	Direction	Live	Dead	Snow	Wind	Const
1	Vertical	3333	1217	0	0	0
2	Vertical	3333	1217	0	0	0

**Bearings**

Bearing	Length	Dir.	Cap.	React D/L lb	Total	Ld. Case	Ld. Comb.
1 - SPF	3.500"	Vert	87%	1217 / 3333	4551	L	D+L
2 - SPF	3.500"	Vert	87%	1217 / 3333	4551	L	D+L

**Analysis Results**

Analysis	Actual	Location	Allowed	Capacity	Comb.	Case
Moment	17931 ft-lb	8'3 3/4"	34565 ft-lb	0.519 (52%)	D+L	L
Unbraced	17931 ft-lb	8'3 3/4"	17951 ft-lb	0.999 (100%)	D+L	L
Shear	4391 lb	15'	11947 lb	0.368 (37%)	D+L	L
LL Defl inch	0.286 (L/678)	8'3 13/16"	0.405 (L/480)	0.707 (71%)	L	L
TL Defl inch	0.391 (L/497)	8'3 13/16"	0.809 (L/240)	0.483 (48%)	D+L	L

**Design Notes**

- Provide support to prevent lateral movement and rotation at the end bearings. Lateral support may also be required at the interior bearings by the building code.
- Fasten all plies using 4 rows of 10d Box nails (.128x3") at 12" o.c. Maximum end distance not to exceed 6".
- Refer to last page of calculations for fasteners required for specified loads.
- Girders are designed to be supported on the bottom edge only.
- Top must be laterally braced at a maximum of 6'5 3/4" o.c.
- Bottom must be laterally braced at end bearings.
- Lateral slenderness ratio based on single ply width.

ID	Load Type	Location	Trib Width	Side	Dead 0.9	Live 1	Snow 1.15	Wind 1.6	Const. 1.25	Comments
1	Uniform			Near Face	134 PLF	401 PLF	0 PLF	0 PLF	0 PLF	F4
	Self Weight				12 PLF					

**Notes**

Calculated Structured Designs is responsible only of the structural adequacy of this component based on the design criteria and loadings shown. It is the responsibility of the customer and/or the contractor to ensure the component suitability of the intended application, and to verify the dimensions and loads.

**Lumber**

- Dry service conditions, unless noted otherwise
- LVL not to be treated with fire retardant or corrosive chemicals

**Handling & Installation**

- LVL beams must not be cut or drilled
- Refer to manufacturer's product information regarding installation requirements, multi-ply fastening details, beam strength values, and code approvals
- Damaged Beams must not be used
- Design assumes top edge is laterally restrained
- Provide lateral support at bearing points to avoid lateral displacement and rotation

6. For flat roofs provide proper drainage to prevent ponding

This design is valid until 6/28/2026

**Manufacturer Info**

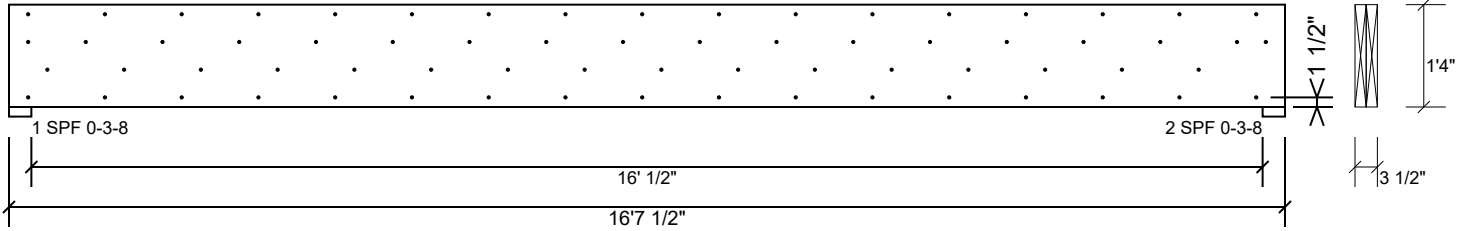
Metsä Wood  
 301 Merritt 7 Building, 2nd Floor  
 Norwalk, CT 06851  
 (800) 622-5850  
[www.metsawood.com/us](http://www.metsawood.com/us)

Comtech, Inc.  
 1001 S Reilly Rd., NC  
 28314  
 (910) 864-8787



**BM1 Kerto-S LVL 1.750" X 16.000" 2-Ply - PASSED**

Level: Level



**Multi-Ply Analysis**

Fasten all plies using 4 rows of 10d Box nails (.128x3") at 12" o.c.. Maximum end distance not to exceed 6".

Capacity	81.7 %
Load	267.5 PLF
Yield Limit per Foot	327.4 PLF
Yield Limit per Fastener	81.9 lb.
C <sub>m</sub>	1
Yield Mode	IV
Edge Distance	1 1/2"
Min. End Distance	3"
Load Combination	D+L
Duration Factor	1.00

**Notes**

Calculated Structured Designs is responsible only of the structural adequacy of this component based on the design criteria and loadings shown. It is the responsibility of the customer and/or the contractor to ensure the component suitability of the intended application, and to verify the dimensions and loads.

**Lumber**

1. Dry service conditions, unless noted otherwise
2. LVL not to be treated with fire retardant or corrosive

chemicals

**Handling & Installation**

1. LVL beams must not be cut or drilled
2. Refer to manufacturer's product information regarding installation requirements, multi-ply fastening details, beam strength values, and code approvals
3. Damaged Beams must not be used
4. Design assumes top edge is laterally restrained
5. Provide lateral support at bearing points to avoid lateral displacement and rotation

6. For flat roofs provide proper drainage to prevent ponding

This design is valid until 6/28/2026

**Manufacturer Info**

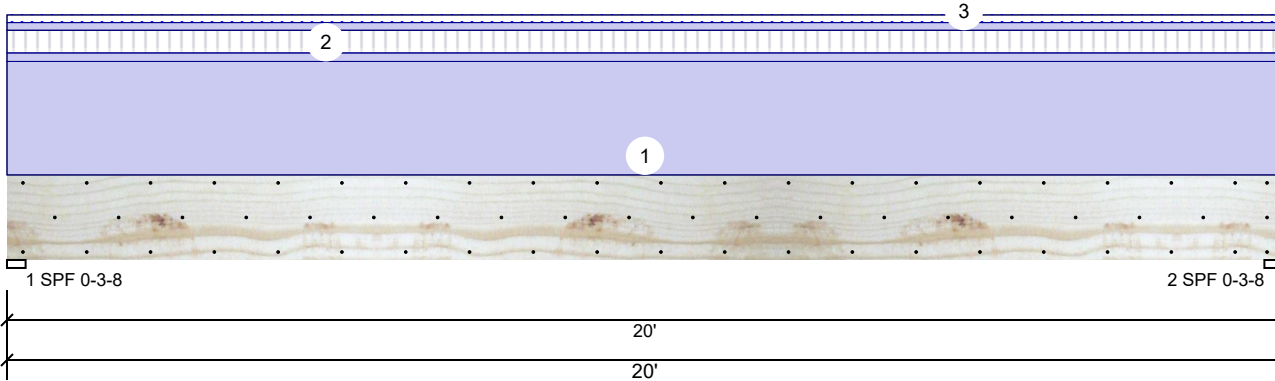
Metsä Wood  
 301 Merritt 7 Building, 2nd Floor  
 Norwalk, CT 06851  
 (800) 622-5850  
[www.metsawood.com/us](http://www.metsawood.com/us)

Comtech, Inc.  
 1001 S Reilly Rd., NC  
 28314  
 (910) 864-8787



**BM2 Kerto-S LVL 1.750" X 16.000" 2-Ply - PASSED**

Level: Level



**Member Information**

Type:	Girder
Plies:	2
Moisture Condition:	Dry
Deflection LL:	480
Deflection TL:	240
Importance:	Normal - II
Temperature:	Temp <= 100°F

Application:	Floor
Design Method:	ASD
Building Code:	IBC 2012
Load Sharing:	No
Deck:	Not Checked

**Reactions UNPATTERNED lb (Uplift)**

Brg	Direction	Live	Dead	Snow	Wind	Const
1	Vertical	400	2409	135	0	0
2	Vertical	400	2409	135	0	0

**Bearings**

Bearing	Length	Dir.	Cap.	React D/L lb	Total	Ld. Case	Ld. Comb.
1 - SPF	3.500"	Vert	54%	2409 / 401	2811	L	D+0.75(L+S)
2 - SPF	3.500"	Vert	54%	2409 / 401	2811	L	D+0.75(L+S)

**Analysis Results**

Analysis	Actual	Location	Allowed	Capacity	Comb.	Case
Moment	13439 ft-lb	10'	34565 ft-lb	0.389 (39%)	D+L	L
Unbraced	13439 ft-lb	10'	13492 ft-lb	0.996 (100%)	D+L	L
Shear	2461 lb	18'4 1/2"	11947 lb	0.206 (21%)	D+L	L
LL Defl inch	0.059 (L/3960)	10' 1/16"	0.489 (L/480)	0.121 (12%)	0.75(L+S)	L
TL Defl inch	0.415 (L/565)	10' 1/16"	0.978 (L/240)	0.425 (42%)	D+0.75(L+S)	L

**Design Notes**

- 1 Provide support to prevent lateral movement and rotation at the end bearings. Lateral support may also be required at the interior bearings by the building code.
- 2 Fasten all plies using 3 rows of 10d Box nails (.128x3") at 12" o.c. Maximum end distance not to exceed 6".
- 3 Refer to last page of calculations for fasteners required for specified loads.
- 4 Girders are designed to be supported on the bottom edge only.
- 5 Top loads must be supported equally by all plies.
- 6 Top must be laterally braced at a maximum of 8'9 7/16" o.c.
- 7 Bottom must be laterally braced at end bearings.
- 8 Lateral slenderness ratio based on single ply width.

ID	Load Type	Location	Trib Width	Side	Dead 0.9	Live 1	Snow 1.15	Wind 1.6	Const. 1.25	Comments
1	Uniform			Top	200 PLF	0 PLF	0 PLF	0 PLF	0 PLF	Wall Above, C1GE
2	Tie-In	0-0-0 to 20-0-0	1-0-0	Far Face	15 PSF	40 PSF	0 PSF	0 PSF	0 PSF	Floor Load
3	Tie-In	0-0-0 to 20-0-0	0-6-0	Near Face	27 PSF	0 PSF	27 PSF	0 PSF	0 PSF	J3
	Self Weight				12 PLF					

**Notes**

Calculated Structured Designs is responsible only of the structural adequacy of this component based on the design criteria and loadings shown. It is the responsibility of the customer and/or the contractor to ensure the component suitability of the intended application, and to verify the dimensions and loads.

**Lumber**

1. Dry service conditions, unless noted otherwise
2. LVL not to be treated with fire retardant or corrosive chemicals

**Handling & Installation**

1. LVL beams must not be cut or drilled
2. Refer to manufacturer's product information regarding installation requirements, multi-ply fastening details, beam strength values, and code approvals
3. Damaged Beams must not be used
4. Design assumes top edge is laterally restrained
5. Provide lateral support at bearing points to avoid lateral displacement and rotation

6. For flat roofs provide proper drainage to prevent ponding

This design is valid until 6/28/2026

**Manufacturer Info**

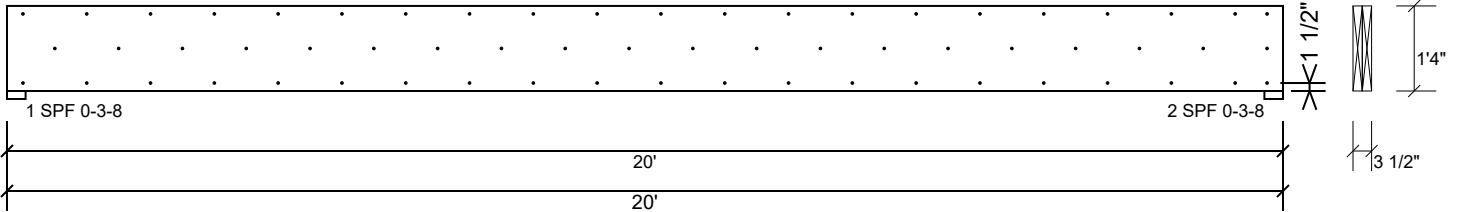
Metsä Wood  
 301 Merritt 7 Building, 2nd Floor  
 Norwalk, CT 06851  
 (800) 622-5850  
[www.metsawood.com/us](http://www.metsawood.com/us)

Comtech, Inc.  
 1001 S Reilly Rd., NC  
 28314  
 (910) 864-8787



**BM2 Kerto-S LVL 1.750" X 16.000" 2-Ply - PASSED**

Level: Level



**Multi-Ply Analysis**

Fasten all plies using 3 rows of 10d Box nails (.128x3") at 12" o.c.. Maximum end distance not to exceed 6".

Capacity	11.2 %
Load	27.5 PLF
Yield Limit per Foot	245.6 PLF
Yield Limit per Fastener	81.9 lb.
C <sub>m</sub>	1
Yield Mode	IV
Edge Distance	1 1/2"
Min. End Distance	3"
Load Combination	D+L
Duration Factor	1.00

**Notes**

Calculated Structured Designs is responsible only of the structural adequacy of this component based on the design criteria and loadings shown. It is the responsibility of the customer and/or the contractor to ensure the component suitability of the intended application, and to verify the dimensions and loads.

**Lumber**

1. Dry service conditions, unless noted otherwise
2. LVL not to be treated with fire retardant or corrosive chemicals

**Handling & Installation**

1. LVL beams must not be cut or drilled
2. Refer to manufacturer's product information regarding installation requirements, multi-ply fastening details, beam strength values, and code approvals
3. Damaged Beams must not be used
4. Design assumes top edge is laterally restrained
5. Provide lateral support at bearing points to avoid lateral displacement and rotation

6. For flat roofs provide proper drainage to prevent ponding

This design is valid until 6/28/2026

**Manufacturer Info**

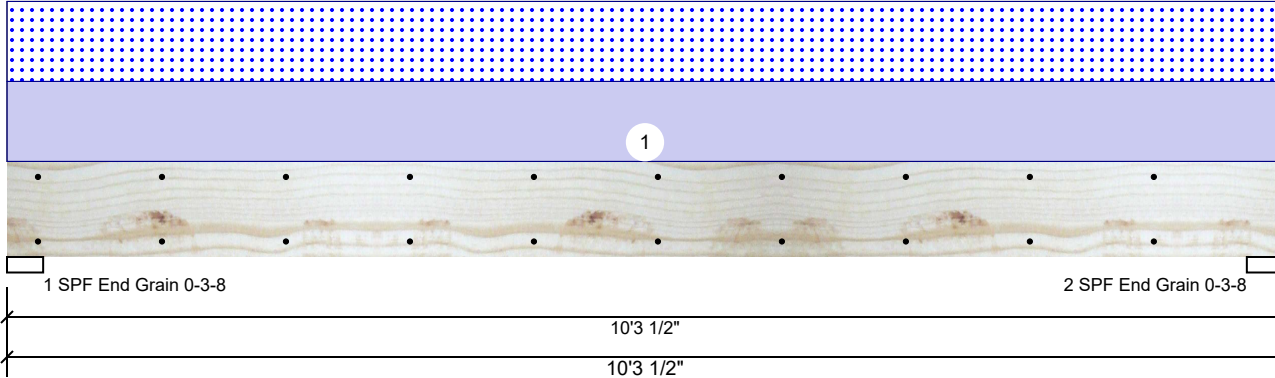
Metsä Wood  
 301 Merritt 7 Building, 2nd Floor  
 Norwalk, CT 06851  
 (800) 622-5850  
[www.metsawood.com/us](http://www.metsawood.com/us)

Comtech, Inc.  
 1001 S Reilly Rd., NC  
 28314  
 (910) 864-8787



**BM3 S-P-F #2 2.000" X 10.000" 2-Ply - PASSED**

Level: Level



**Member Information**

Type:	Girder	Application:	Floor
Plies:	2	Design Method:	ASD
Moisture Condition:	Dry	Building Code:	IBC 2012
Deflection LL:	480	Load Sharing:	No
Deflection TL:	360	Deck:	Not Checked
Importance:	Normal - II	Ceiling:	Gypsum 1/2"
Temperature:	Temp <= 100°F		

**Reactions UNPATTERNED lb (Uplift)**

Brg	Direction	Live	Dead	Snow	Wind	Const
1	Vertical	0	607	607	0	0
2	Vertical	0	607	607	0	0

**Bearings**

Bearing	Length	Dir.	Cap.	React D/L lb	Total	Ld. Case	Ld. Comb.
1 - SPF End Grain	3.500"	Vert	27%	607 / 607	1214	L	D+S
2 - SPF End Grain	3.500"	Vert	27%	607 / 607	1214	L	D+S

**Analysis Results**

Analysis	Actual	Location	Allowed	Capacity	Comb.	Case
Moment	2852 ft-lb	5'1 3/4"	3946 ft-lb	0.723 (72%)	D+S	L
Unbraced	2852 ft-lb	5'1 3/4"	2937 ft-lb	0.971 (97%)	D+S	L
Shear	964 lb	1' 3/4"	2872 lb	0.336 (34%)	D+S	L
LL Defl inch	0.090 (L/1317)	5'1 3/4"	0.246 (L/480)	0.365 (36%)	S	L
TL Defl inch	0.179 (L/658)	5'1 3/4"	0.328 (L/360)	0.547 (55%)	D+S	L

**Design Notes**

- 1 Provide support to prevent lateral movement and rotation at the end bearings. Lateral support may also be required at the interior bearings by the building code.
- 2 Fasten all plies using 2 rows of 10d Box nails (.128x3") at 12" o.c. Maximum end distance not to exceed 6".
- 3 Refer to last page of calculations for fasteners required for specified loads.
- 4 Girders are designed to be supported on the bottom edge only.
- 5 Top loads must be supported equally by all plies.
- 6 Top must be laterally braced at end bearings.
- 7 Lateral slenderness ratio based on single ply width.

ID	Load Type	Location	Trib Width	Side	Dead 0.9	Live 1	Snow 1.15	Wind 1.6	Const. 1.25	Comments
1	Uniform			Top	118 PLF	0 PLF	118 PLF	0 PLF	0 PLF	B2

**Manufacturer Info**

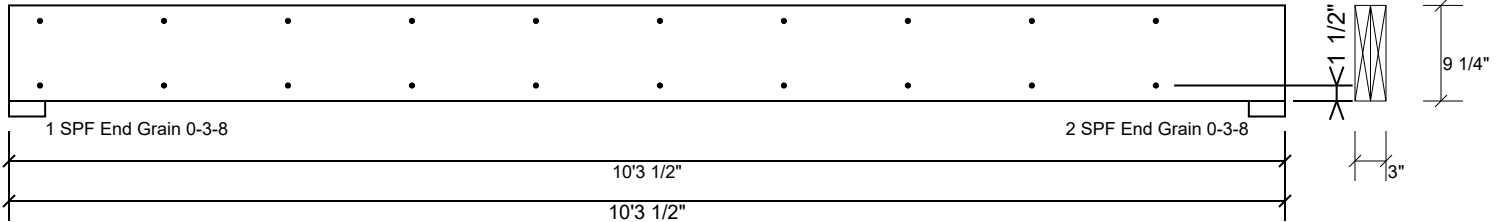
Comtech, Inc.  
 1001 S Reilly Rd., NC  
 28314  
 (910) 864-8787



This design is valid until 6/28/2026

**BM3 S-P-F #2 2.000" X 10.000" 2-Ply - PASSED**

Level: Level



**Multi-Ply Analysis**

Fasten all plies using 2 rows of 10d Box nails (.128x3") at 12" o.c.. Maximum end distance not to exceed 6".

Capacity	0.0 %
Load	0.0 PLF
Yield Limit per Foot	157.4 PLF
Yield Limit per Fastener	78.7 lb.
C <sub>m</sub>	1
Yield Mode	IV
Edge Distance	1 1/2"
Min. End Distance	3"
Load Combination	
Duration Factor	1.00

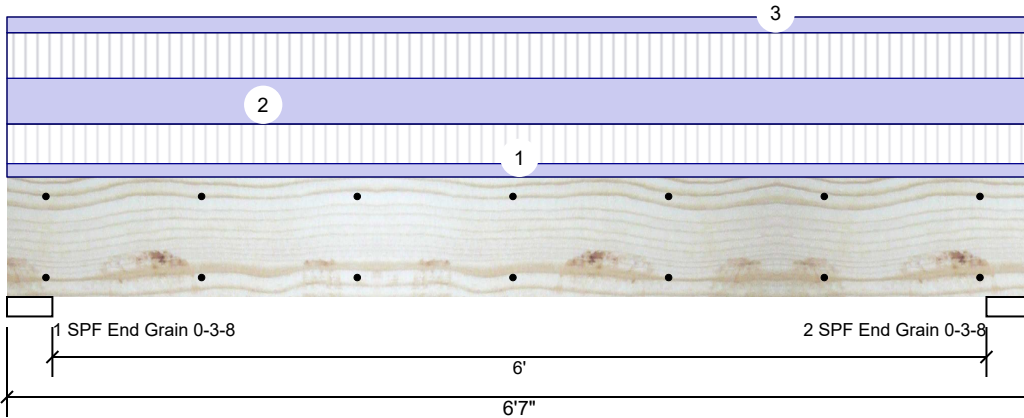
<b>Manufacturer Info</b>	Comtech, Inc. 1001 S Reilly Rd., NC 28314 (910) 864-8787

This design is valid until 6/28/2026



**BM4 Kerto-S LVL 1.750" X 9.250" 2-Ply - PASSED**

Level: Level



**Member Information**

Type:	Girder	Application:	Floor
Plies:	2	Design Method:	ASD
Moisture Condition:	Dry	Building Code:	IBC 2012
Deflection LL:	480	Load Sharing:	No
Deflection TL:	360	Deck:	Not Checked
Importance:	Normal - II		
Temperature:	Temp <= 100°F		

**Reactions UNPATTERNED lb (Uplift)**

Brg	Direction	Live	Dead	Snow	Wind	Const
1	Vertical	2149	1903	0	0	0
2	Vertical	2149	1903	0	0	0

**Bearings**

Bearing	Length	Dir.	Cap.	React D/L lb	Total	Ld. Case	Ld. Comb.
1 - SPF End Grain	3.500"	Vert	39%	1903 / 2149	4053	L	D+L
2 - SPF End Grain	3.500"	Vert	39%	1903 / 2149	4053	L	D+L

**Analysis Results**

Analysis	Actual	Location	Allowed	Capacity	Comb.	Case
Moment	5774 ft-lb	3' 3/2"	12542 ft-lb	0.460 (46%)	D+L	L
Unbraced	5774 ft-lb	3' 3/2"	9934 ft-lb	0.581 (58%)	D+L	L
Shear	2750 lb	1' 3/4"	6907 lb	0.398 (40%)	D+L	L
LL Defl inch	0.056 (L/1320)	3' 3/2"	0.153 (L/480)	0.364 (36%)	L	L
TL Defl inch	0.105 (L/700)	3' 3/2"	0.204 (L/360)	0.514 (51%)	D+L	L

**Design Notes**

- 1 Provide support to prevent lateral movement and rotation at the end bearings. Lateral support may also be required at the interior bearings by the building code.
- 2 Fasten all plies using 2 rows of 10d Box nails (.128x3") at 12" o.c. Maximum end distance not to exceed 6".
- 3 Refer to last page of calculations for fasteners required for specified loads.
- 4 Girders are designed to be supported on the bottom edge only.
- 5 Top loads must be supported equally by all plies.
- 6 Top must be laterally braced at end bearings.
- 7 Bottom must be laterally braced at end bearings.
- 8 Lateral slenderness ratio based on single ply width.

ID	Load Type	Location	Trib Width	Side	Dead 0.9	Live 1	Snow 1.15	Wind 1.6	Const. 1.25	Comments
1	Uniform			Top	102 PLF	304 PLF	0 PLF	0 PLF	0 PLF	F2
2	Uniform			Top	349 PLF	349 PLF	0 PLF	0 PLF	0 PLF	A1
3	Uniform			Top	120 PLF	0 PLF	0 PLF	0 PLF	0 PLF	Wall Above
	Self Weight				7 PLF					

**Notes**

Calculated Structural Designs is responsible only of the structural adequacy of this component based on the design criteria and loadings shown. It is the responsibility of the customer and/or the contractor to ensure the component suitability of the intended application, and to verify the dimensions and loads.

**Lumber**

1. Dry service conditions, unless noted otherwise
2. LVL not to be treated with fire retardant or corrosive

chemicals

**Handling & Installation**

1. LVL beams must not be cut or drilled
2. Refer to manufacturer's product information regarding installation requirements, multi-ply fastening details, beam strength values, and code approvals
3. Damaged Beams must not be used
4. Design assumes top edge is laterally restrained
5. Provide lateral support at bearing points to avoid lateral displacement and rotation

6. For flat roofs provide proper drainage to prevent ponding

This design is valid until 6/28/2026

**Manufacturer Info**

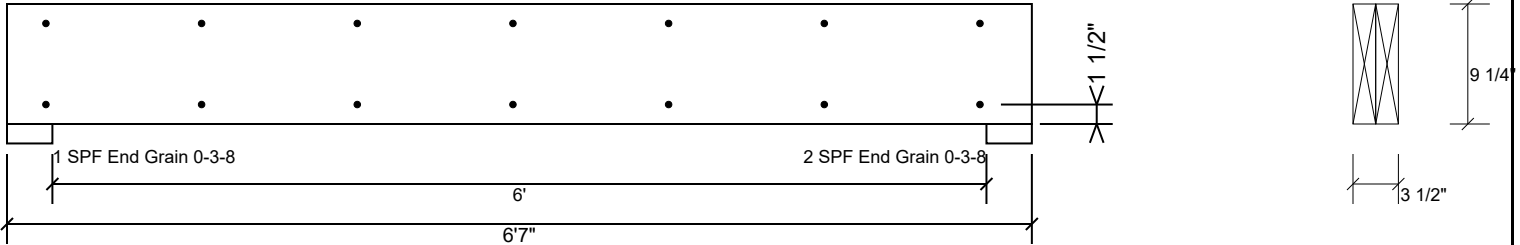
Metsä Wood  
 301 Merritt 7 Building, 2nd Floor  
 Norwalk, CT 06851  
 (800) 622-5850  
[www.metsawood.com/us](http://www.metsawood.com/us)

Comtech, Inc.  
 1001 S Reilly Rd., NC  
 28314  
 (910) 864-8787



**BM4 Kerto-S LVL 1.750" X 9.250" 2-Ply - PASSED**

Level: Level



**Multi-Ply Analysis**

Fasten all plies using 2 rows of 10d Box nails (.128x3") at 12" o.c.. Maximum end distance not to exceed 6".

Capacity	0.0 %
Load	0.0 PLF
Yield Limit per Foot	163.7 PLF
Yield Limit per Fastener	81.9 lb.
C <sub>m</sub>	1
Yield Mode	IV
Edge Distance	1 1/2"
Min. End Distance	3"
Load Combination	
Duration Factor	1.00

**Notes**

Calculated Structured Designs is responsible only of the structural adequacy of this component based on the design criteria and loadings shown. It is the responsibility of the customer and/or the contractor to ensure the component suitability of the intended application, and to verify the dimensions and loads.

**Lumber**

1. Dry service conditions, unless noted otherwise
2. LVL not to be treated with fire retardant or corrosive

chemicals

**Handling & Installation**

1. LVL beams must not be cut or drilled
2. Refer to manufacturer's product information regarding installation requirements, multi-ply fastening details, beam strength values, and code approvals
3. Damaged Beams must not be used
4. Design assumes top edge is laterally restrained
5. Provide lateral support at bearing points to avoid lateral displacement and rotation

6. For flat roofs provide proper drainage to prevent ponding

This design is valid until 6/28/2026

**Manufacturer Info**

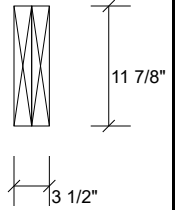
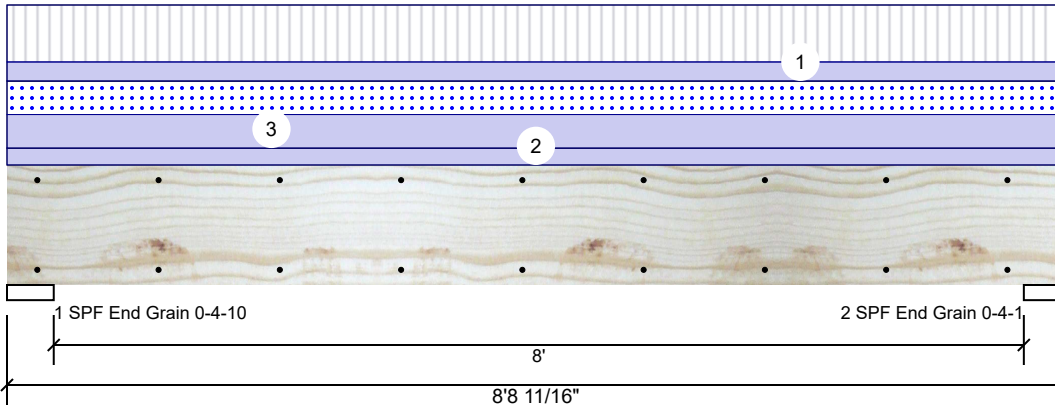
Metsä Wood  
 301 Merritt 7 Building, 2nd Floor  
 Norwalk, CT 06851  
 (800) 622-5850  
[www.metsawood.com/us](http://www.metsawood.com/us)

Comtech, Inc.  
 1001 S Reilly Rd., NC  
 28314  
 (910) 864-8787



# BM5 Kerto-S LVL 1.750" X 11.875" 2-Ply - PASSED

Level: Level



### Member Information

Type:	Girder	Application:	Floor
Plies:	2	Design Method:	ASD
Moisture Condition:	Dry	Building Code:	IBC 2012
Deflection LL:	480	Load Sharing:	No
Deflection TL:	240	Deck:	Not Checked
Importance:	Normal - II		
Temperature:	Temp <= 100°F		

### Reactions UNPATTERNED lb (Uplift)

Brg	Direction	Live	Dead	Snow	Wind	Const
1	Vertical	1772	2203	1044	0	0
2	Vertical	1753	2179	1033	0	0

### Bearings

Bearing	Length	Dir.	Cap.	React D/L lb	Total	Ld. Case	Ld. Comb.
1 - SPF End Grain	4.625"	Vert	32%	2203 / 2112	4314	L	D+0.75(L+S)
2 - SPF End Grain	4.063"	Vert	36%	2179 / 2089	4268	L	D+0.75(L+S)

### Analysis Results

Analysis	Actual	Location	Allowed	Capacity	Comb.	Case
Moment	7478 ft-lb	4'4 5/8"	19911 ft-lb	0.376 (38%)	D+L	L
Unbraced	8118 ft-lb	4'4 5/8"	11006 ft-lb	0.738 (74%)	D+0.75(L+S)	L
Shear	2737 lb	1'4 1/2"	8867 lb	0.309 (31%)	D+L	L
LL Defl inch	0.059 (L/1643)	4'4 11/16"	0.203 (L/480)	0.292 (29%)	0.75(L+S)	L
TL Defl inch	0.121 (L/804)	4'4 11/16"	0.406 (L/240)	0.298 (30%)	D+0.75(L+S)	L

### Design Notes

- Provide support to prevent lateral movement and rotation at the end bearings. Lateral support may also be required at the interior bearings by the building code.
- Fasten all plies using 2 rows of 10d Box nails (.128x3") at 12" o.c. Maximum end distance not to exceed 6".
- Refer to last page of calculations for fasteners required for specified loads.
- Girders are designed to be supported on the bottom edge only.
- Top loads must be supported equally by all plies.
- Top must be laterally braced at end bearings.
- Bottom must be laterally braced at end bearings.
- Lateral slenderness ratio based on single ply width.

ID	Load Type	Location	Trib Width	Side	Dead 0.9	Live 1	Snow 1.15	Wind 1.6	Const. 1.25	Comments
1	Part. Uniform	0-0-0 to 8-8-11		Top	135 PLF	404 PLF	0 PLF	0 PLF	0 PLF	F3
2	Uniform			Top	120 PLF	0 PLF	0 PLF	0 PLF	0 PLF	Wall Above
3	Uniform			Top	238 PLF	0 PLF	238 PLF	0 PLF	0 PLF	C1
	Self Weight				9 PLF					

### Notes

Calculated Structured Designs is responsible only of the structural adequacy of this component based on the design criteria and loadings shown. It is the responsibility of the customer and/or the contractor to ensure the component suitability of the intended application, and to verify the dimensions and loads.

### Lumber

- Dry service conditions, unless noted otherwise
- LVL not to be treated with fire retardant or corrosive

chemicals

### Handling & Installation

- LVL beams must not be cut or drilled
- Refer to manufacturer's product information regarding installation requirements, multi-ply fastening details, beam strength values, and code approvals
- Damaged Beams must not be used
- Design assumes top edge is laterally restrained
- Provide lateral support at bearing points to avoid lateral displacement and rotation

- For flat roofs provide proper drainage to prevent ponding

This design is valid until 6/28/2026

### Manufacturer Info

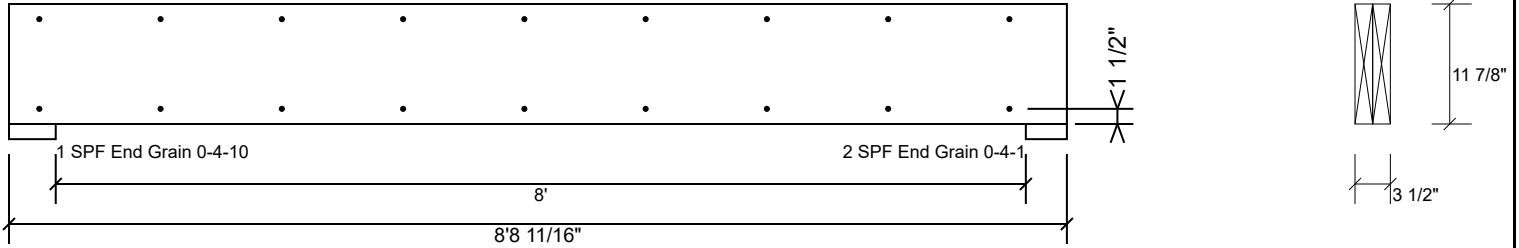
Metsä Wood  
 301 Merritt 7 Building, 2nd Floor  
 Norwalk, CT 06851  
 (800) 622-5850  
[www.metsawood.com/us](http://www.metsawood.com/us)

Comtech, Inc.  
 1001 S Reilly Rd., NC  
 28314  
 (910) 864-8787



**BM5 Kerto-S LVL 1.750" X 11.875" 2-Ply - PASSED**

Level: Level



**Multi-Ply Analysis**

Fasten all plies using 2 rows of 10d Box nails (.128x3") at 12" o.c.. Maximum end distance not to exceed 6".

Capacity	0.0 %
Load	0.0 PLF
Yield Limit per Foot	163.7 PLF
Yield Limit per Fastener	81.9 lb.
C <sub>m</sub>	1
Yield Mode	IV
Edge Distance	1 1/2"
Min. End Distance	3"
Load Combination	
Duration Factor	1.00

**Notes**

Calculated Structured Designs is responsible only of the structural adequacy of this component based on the design criteria and loadings shown. It is the responsibility of the customer and/or the contractor to ensure the component suitability of the intended application, and to verify the dimensions and loads.

**Lumber**

1. Dry service conditions, unless noted otherwise
2. LVL not to be treated with fire retardant or corrosive

chemicals

**Handling & Installation**

1. LVL beams must not be cut or drilled
2. Refer to manufacturer's product information regarding installation requirements, multi-ply fastening details, beam strength values, and code approvals
3. Damaged Beams must not be used
4. Design assumes top edge is laterally restrained
5. Provide lateral support at bearing points to avoid lateral displacement and rotation

6. For flat roofs provide proper drainage to prevent ponding

This design is valid until 6/28/2026

**Manufacturer Info**

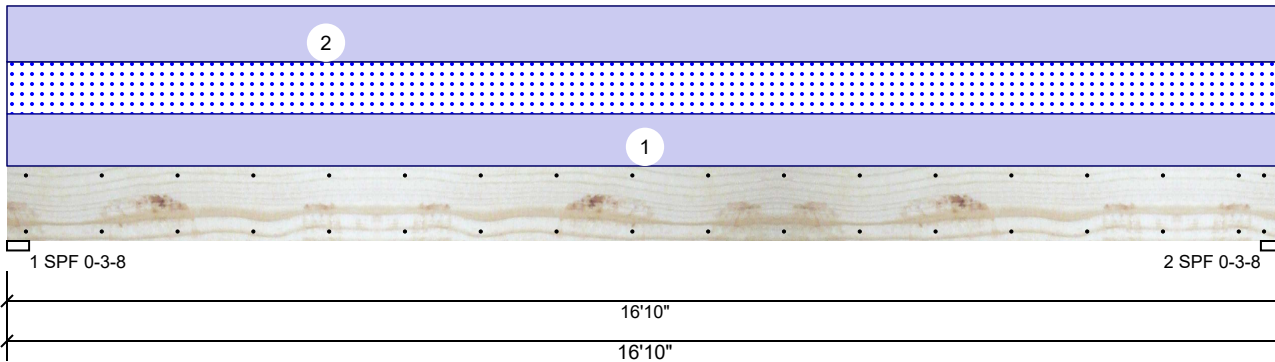
Metsä Wood  
 301 Merritt 7 Building, 2nd Floor  
 Norwalk, CT 06851  
 (800) 622-5850  
[www.metsawood.com/us](http://www.metsawood.com/us)

Comtech, Inc.  
 1001 S Reilly Rd., NC  
 28314  
 (910) 864-8787



**GDH Kerto-S LVL 1.750" X 11.875" 2-Ply - PASSED**

Level: Level



**Member Information**

Type:	Girder	Application:	Floor
Plies:	2	Design Method:	ASD
Moisture Condition:	Dry	Building Code:	IBC 2012
Deflection LL:	480	Load Sharing:	No
Deflection TL:	240	Deck:	Not Checked
Importance:	Normal - II		
Temperature:	Temp <= 100°F		

**Reactions UNPATTERNED Ib (Uplift)**

Brg	Direction	Live	Dead	Snow	Wind	Const
1	Vertical	0	1054	471	0	0
2	Vertical	0	1054	471	0	0

**Bearings**

Bearing	Length	Dir.	Cap.	React D/L lb	Total	Ld. Case	Ld. Comb.
1 - SPF	3.500"	Vert	29%	1054 / 471	1525	L	D+S
2 - SPF	3.500"	Vert	29%	1054 / 471	1525	L	D+S

**Analysis Results**

Analysis	Actual	Location	Allowed	Capacity	Comb.	Case
Moment	6075 ft-lb	8'5"	22897 ft-lb	0.265 (27%)	D+S	L
Unbraced	6075 ft-lb	8'5"	6086 ft-lb	0.998 (100%)	D+S	L
Shear	1413 lb	1'3 3/8"	10197 lb	0.139 (14%)	D+S	L
LL Defl inch	0.098 (L/2006)	8'5 1/16"	0.409 (L/480)	0.239 (24%)	S	L
TL Defl inch	0.317 (L/620)	8'5 1/16"	0.819 (L/240)	0.387 (39%)	D+S	L

**Design Notes**

- 1 Provide support to prevent lateral movement and rotation at the end bearings. Lateral support may also be required at the interior bearings by the building code.
- 2 Fasten all plies using 2 rows of 10d Box nails (.128x3") at 12" o.c. Maximum end distance not to exceed 6".
- 3 Refer to last page of calculations for fasteners required for specified loads.
- 4 Girders are designed to be supported on the bottom edge only.
- 5 Top loads must be supported equally by all plies.
- 6 Top must be laterally braced at end bearings.
- 7 Bottom must be laterally braced at end bearings.
- 8 Lateral slenderness ratio based on single ply width.

ID	Load Type	Location	Trib Width	Side	Dead 0.9	Live 1	Snow 1.15	Wind 1.6	Const. 1.25	Comments
1	Uniform			Near Face	56 PLF	0 PLF	56 PLF	0 PLF	0 PLF	J3
2	Uniform			Top	60 PLF	0 PLF	0 PLF	0 PLF	0 PLF	Wall Above
	Self Weight				9 PLF					

**Notes**

Calculated Structural Designs is responsible only of the structural adequacy of this component based on the design criteria and loadings shown. It is the responsibility of the customer and/or the contractor to ensure the component suitability of the intended application, and to verify the dimensions and loads.

**Lumber**

1. Dry service conditions, unless noted otherwise
2. LVL not to be treated with fire retardant or corrosive chemicals

**Handling & Installation**

1. LVL beams must not be cut or drilled
2. Refer to manufacturer's product information regarding installation requirements, multi-ply fastening details, beam strength values, and code approvals
3. Damaged Beams must not be used
4. Design assumes top edge is laterally restrained
5. Provide lateral support at bearing points to avoid lateral displacement and rotation

6. For flat roofs provide proper drainage to prevent ponding

This design is valid until 6/28/2026

**Manufacturer Info**

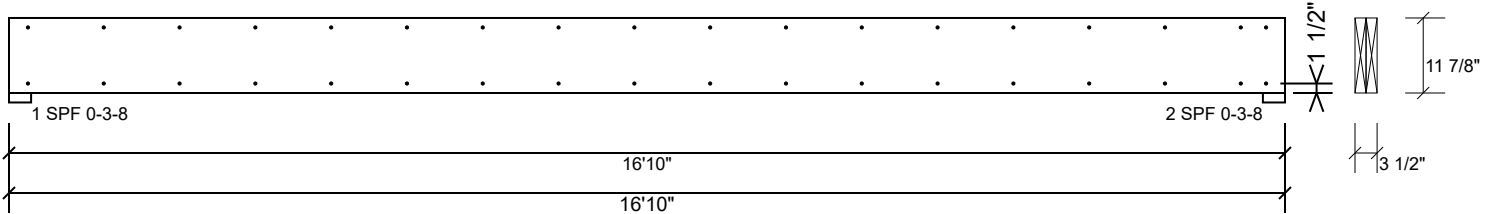
Metsä Wood  
 301 Merritt 7 Building, 2nd Floor  
 Norwalk, CT 06851  
 (800) 622-5850  
[www.metsawood.com/us](http://www.metsawood.com/us)

Comtech, Inc.  
 1001 S Reilly Rd., NC  
 28314  
 (910) 864-8787



**GDH Kerto-S LVL 1.750" X 11.875" 2-Ply - PASSED**

Level: Level



**Multi-Ply Analysis**

Fasten all plies using 2 rows of 10d Box nails (.128x3") at 12" o.c.. Maximum end distance not to exceed 6".

Capacity	29.7 %
Load	56.0 PLF
Yield Limit per Foot	188.3 PLF
Yield Limit per Fastener	94.1 lb.
C <sub>m</sub>	1
Yield Mode	IV
Edge Distance	1 1/2"
Min. End Distance	3"
Load Combination	D+S
Duration Factor	1.15

**Notes**

Calculated Structured Designs is responsible only of the structural adequacy of this component based on the design criteria and loadings shown. It is the responsibility of the customer and/or the contractor to ensure the component suitability of the intended application, and to verify the dimensions and loads.

**Lumber**

1. Dry service conditions, unless noted otherwise
2. LVL not to be treated with fire retardant or corrosive chemicals

**Handling & Installation**

1. LVL beams must not be cut or drilled
2. Refer to manufacturer's product information regarding installation requirements, multi-ply fastening details, beam strength values, and code approvals
3. Damaged Beams must not be used
4. Design assumes top edge is laterally restrained
5. Provide lateral support at bearing points to avoid lateral displacement and rotation

6. For flat roofs provide proper drainage to prevent ponding

This design is valid until 6/28/2026

**Manufacturer Info**

Metsä Wood  
 301 Merritt 7 Building, 2nd Floor  
 Norwalk, CT 06851  
 (800) 622-5850  
[www.metsawood.com/us](http://www.metsawood.com/us)

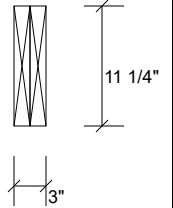
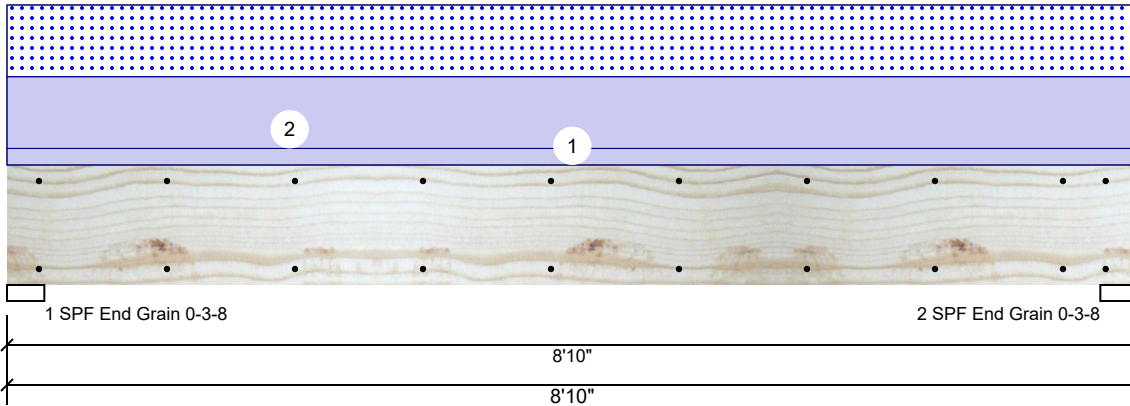
Comtech, Inc.  
 1001 S Reilly Rd., NC  
 28314  
 (910) 864-8787





**GDH2 S-P-F #2 2.000" X 12.000" 2-Ply - PASSED**

Level: Level



**Member Information**

Type:	Girder	Application:	Floor
Plies:	2	Design Method:	ASD
Moisture Condition:	Dry	Building Code:	IBC 2012
Deflection LL:	480	Load Sharing:	No
Deflection TL:	360	Deck:	Not Checked
Importance:	Normal - II		
Temperature:	Temp <= 100°F		

**Reactions UNPATTERNED Ib (Uplift)**

Brg	Direction	Live	Dead	Snow	Wind	Const
1	Vertical	0	1413	1148	0	0
2	Vertical	0	1413	1148	0	0

**Bearings**

Bearing	Length	Dir.	Cap.	React D/L Ib	Total	Ld. Case	Ld. Comb.
1 - SPF End Grain	3.500"	Vert	57%	1413 / 1148	2562	L	D+S
2 - SPF End Grain	3.500"	Vert	57%	1413 / 1148	2562	L	D+S

**Analysis Results**

Analysis	Actual	Location	Allowed	Capacity	Comb.	Case
Moment	5085 ft-lb	4'5"	5306 ft-lb	0.958 (96%)	D+S	L
Unbraced	5085 ft-lb	4'5"	5088 ft-lb	0.999 (100%)	D+S	L
Shear	1849 lb	7'7 1/4"	3493 lb	0.529 (53%)	D+S	L
LL Defl inch	0.058 (L/1740)	4'5 1/16"	0.209 (L/480)	0.276 (28%)	S	L
TL Defl inch	0.129 (L/780)	4'5 1/16"	0.279 (L/360)	0.461 (46%)	D+S	L

**Design Notes**

- 1 Provide support to prevent lateral movement and rotation at the end bearings. Lateral support may also be required at the interior bearings by the building code.
- 2 Fasten all plies using 2 rows of 10d Box nails (.128x3") at 12" o.c. Maximum end distance not to exceed 6".
- 3 Refer to last page of calculations for fasteners required for specified loads.
- 4 Girders are designed to be supported on the bottom edge only.
- 5 Top loads must be supported equally by all plies.
- 6 Top must be laterally braced at a maximum of 3'3 5/8" o.c.
- 7 Bottom must be laterally braced at end bearings.
- 8 Lateral slenderness ratio based on single ply width.

ID	Load Type	Location	Trib Width	Side	Dead 0.9	Live 1	Snow 1.15	Wind 1.6	Const. 1.25	Comments
1	Uniform			Top	60 PLF	0 PLF	0 PLF	0 PLF	0 PLF	Wall Above
2	Uniform			Top	260 PLF	0 PLF	260 PLF	0 PLF	0 PLF	G1

**Manufacturer Info**

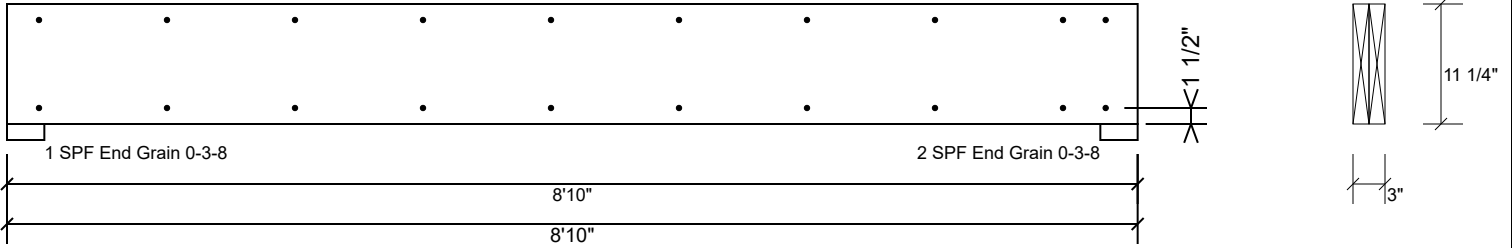
Comtech, Inc.  
 1001 S Reilly Rd., NC  
 28314  
 (910) 864-8787



This design is valid until 6/28/2026

**GDH2 S-P-F #2 2.000" X 12.000" 2-Ply - PASSED**

Level: Level



**Multi-Ply Analysis**

Fasten all plies using 2 rows of 10d Box nails (.128x3") at 12" o.c.. Maximum end distance not to exceed 6".

Capacity	0.0 %
Load	0.0 PLF
Yield Limit per Foot	157.4 PLF
Yield Limit per Fastener	78.7 lb.
C <sub>m</sub>	1
Yield Mode	IV
Edge Distance	1 1/2"
Min. End Distance	3"
Load Combination	
Duration Factor	1.00

<b>Manufacturer Info</b>	Comtech, Inc. 1001 S Reilly Rd., NC 28314 (910) 864-8787

This design is valid until 6/28/2026

RE: J1224-6951  
 Lot 61 Magnolia Hills

**Trenco**  
 818 Soundside Rd  
 Edenton, NC 27932

**Site Information:**

Customer: Project Name: J1224-6951  
 Lot/Block: Model:  
 Address: Subdivision:  
 City: State:

**General Truss Engineering Criteria & Design Loads (Individual Truss Design Drawings Show Special Loading Conditions):**

Design Code: IRC2015/TPI2014 Design Program: MiTek 20/20 8.4  
 Wind Code: N/A Wind Speed: N/A mph  
 Roof Load: N/A psf Floor Load: 55.0 psf

This package includes 10 individual, dated Truss Design Drawings and 0 Additional Drawings.

No.	Seal#	Truss Name	Date
1	I64635032	ET1	4/2/2024
2	I64635033	ET2	4/2/2024
3	I64635034	ET3	4/2/2024
4	I64635035	F1	4/2/2024
5	I64635036	F2	4/2/2024
6	I64635037	F3	4/2/2024
7	I64635038	F4	4/2/2024
8	I64635039	F4A	4/2/2024
9	I64635040	F5	4/2/2024
10	I64635041	FG1	4/2/2024

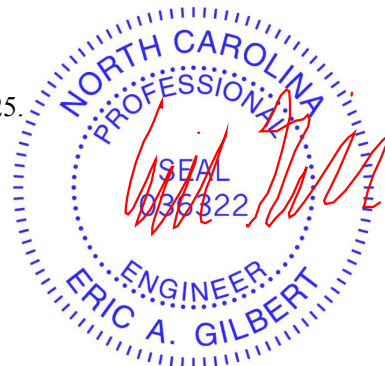
The truss drawing(s) referenced above have been prepared by Truss Engineering Co. under my direct supervision based on the parameters provided by Comtech, Inc - Fayetteville.

Truss Design Engineer's Name: Gilbert, Eric

My license renewal date for the state of North Carolina is December 31, 2025.

North Carolina COA: C-0844

IMPORTANT NOTE: The seal on these truss component designs is a certification that the engineer named is licensed in the jurisdiction(s) identified and that the designs comply with ANSI/TPI 1. These designs are based upon parameters shown (e.g., loads, supports, dimensions, shapes and design codes), which were given to TRENCO. Any project specific information included is for TRENCO customers file reference purpose only, and was not taken into account in the preparation of these designs. TRENCO has not independently verified the applicability of the design parameters or the designs for any particular building. Before use, the building designer should verify applicability of design parameters and properly incorporate these designs into the overall building design per ANSI/TPI 1, Chapter 2.



April 02, 2024

Job J1224-6951	Truss ET1	Truss Type GABLE	Qty 1	Ply 1	Lot 61 Magnolia Hills Job Reference (optional)	I64635032
-------------------	--------------	---------------------	----------	----------	---	-----------

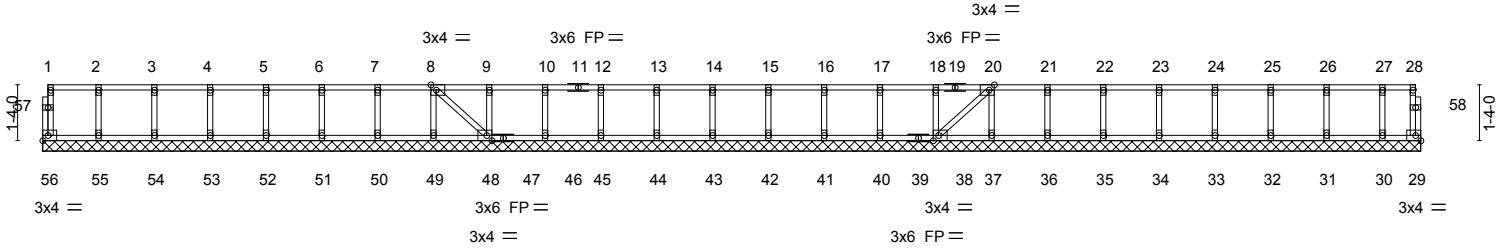
Comtech, Inc. Fayetteville, NC - 28314,

8.430 s Jan 6 2022 MiTek Industries, Inc. Tue Apr 2 11:08:31 2024 Page 1  
ID:aTXuLo?nW09qtpROz2WQ0wydkZW-RfC?PsB70Hq3NSgPqnL8w3uITXbGKWrcDoi7J4zJC?f

0-1/8

0-1/8

Scale = 1:55.0



1-4-0	2-8-0	4-0-0	5-4-0	6-8-0	8-0-0	9-4-0	10-8-0	12-0-0	13-4-0	14-8-0	16-0-0	17-4-0	18-8-0	20-0-0	21-4-0	22-8-0	24-0-0	25-4-0	26-8-0	28-0-0	29-4-0	30-8-0	32-0-0	32-11-0
1-4-0	1-4-0	1-4-0	1-4-0	1-4-0	1-4-0	1-4-0	1-4-0	1-4-0	1-4-0	1-4-0	1-4-0	1-4-0	1-4-0	1-4-0	1-4-0	1-4-0	1-4-0	1-4-0	1-4-0	1-4-0	1-4-0	1-4-0	1-4-0	0-11-0

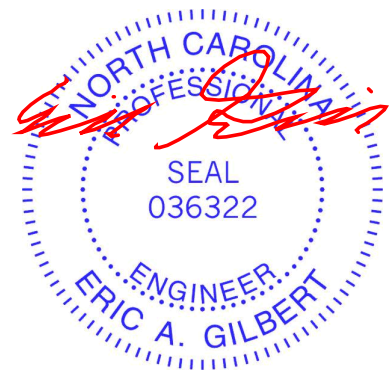
LOADING (psf)		SPACING-	2-0-0	CSI.	DEFL.	in (loc)	l/defl	L/d	PLATES	GRIP
TCLL	40.0	Plate Grip DOL	1.00	TC	0.06	n/a	-	n/a	MT20	244/190
TCDL	10.0	Lumber DOL	1.00	BC	0.01	n/a	-	n/a		
BCLL	0.0	Rep Stress Incr	YES	WB	0.03	-0.00	38	n/a		
BCDL	5.0	Code	IRC2015/TPI2014	Matrix-S					Weight: 147 lb	FT = 20%F, 11%E

<b>LUMBER-</b>	<b>BRACING-</b>
TOP CHORD 2x4 SP No.1(flat)	TOP CHORD Structural wood sheathing directly applied or 6-0-0 oc purlins, except end verticals.
BOT CHORD 2x4 SP No.1(flat)	BOT CHORD Rigid ceiling directly applied or 6-0-0 oc bracing.
WEBS 2x4 SP No.3(flat)	
OTHERS 2x4 SP No.3(flat)	

**REACTIONS.** All bearings 32-11-0.  
(lb) - Max Grav All reactions 250 lb or less at joint(s) 56, 29, 55, 54, 53, 52, 51, 50, 49, 48, 46, 45, 44, 43, 42, 41, 40, 38, 37, 36, 35, 34, 33, 32, 31, 30

**FORCES.** (lb) - Max. Comp./Max. Ten. - All forces 250 (lb) or less except when shown.

- NOTES-**
- 1) All plates are 1.5x3 MT20 unless otherwise indicated.
  - 2) Plates checked for a plus or minus 1 degree rotation about its center.
  - 3) Gable requires continuous bottom chord bearing.
  - 4) Truss to be fully sheathed from one face or securely braced against lateral movement (i.e. diagonal web).
  - 5) Gable studs spaced at 1-4-0 oc.
  - 6) Recommend 2x6 strongbacks, on edge, spaced at 10-0-0 oc and fastened to each truss with 3-10d (0.131" X 3") nails. Strongbacks to be attached to walls at their outer ends or restrained by other means.



April 2, 2024

<p><b>WARNING - Verify design parameters and READ NOTES ON THIS AND INCLUDED MITEK REFERENCE PAGE MII-7473 rev. 1/2/2023 BEFORE USE.</b></p> <p>Design valid for use only with MiTek® connectors. This design is based only upon parameters shown, and is for an individual building component, not a truss system. Before use, the building designer must verify the applicability of design parameters and properly incorporate this design into the overall building design. Bracing indicated is to prevent buckling of individual truss web and/or chord members only. Additional temporary and permanent bracing is always required for stability and to prevent collapse with possible personal injury and property damage. For general guidance regarding the fabrication, storage, delivery, erection and bracing of trusses and truss systems, see <b>ANSI/TPI1 Quality Criteria and DSB-22</b> available from Truss Plate Institute (www.tpinst.org) and <b>BCSI Building Component Safety Information</b> available from the Structural Building Component Association (www.sbcacomponents.com)</p>	<p>ENGINEERING BY</p> <p>A MiTek Affiliate</p> <p>818 Soundside Road Edenton, NC 27932</p>
---	--

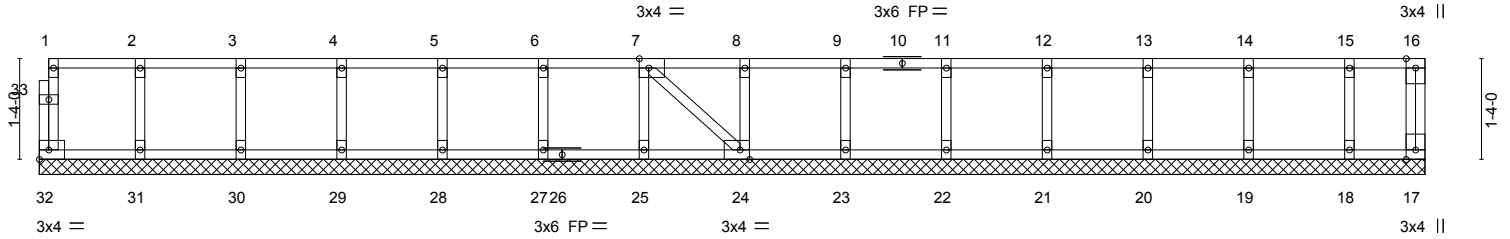
Job J1224-6951	Truss ET2	Truss Type GABLE	Qty 1	Ply 1	Lot 61 Magnolia Hills Job Reference (optional)	164635033
-------------------	--------------	---------------------	----------	----------	---	-----------

Comtech, Inc. Fayetteville, NC - 28314,

8.430 s Jan 6 2022 MiTek Industries, Inc. Tue Apr 2 11:08:32 2024 Page 1  
ID:aTXuLo?nW09qtpROz2WQ0wydkZW-RfC?PsB70Hq3NSgPqnL8w3uITXbGKWrCDoi7J4zJC?f

0-1-8

Scale = 1:30.5



1-4-0	2-8-0	4-0-0	5-4-0	6-8-0	8-0-0	9-4-0	10-8-0	12-0-0	13-4-0	14-8-0	16-0-0	17-4-0	18-4-0
1-4-0	1-4-0	1-4-0	1-4-0	1-4-0	1-4-0	1-4-0	1-4-0	1-4-0	1-4-0	1-4-0	1-4-0	1-4-0	1-0-0

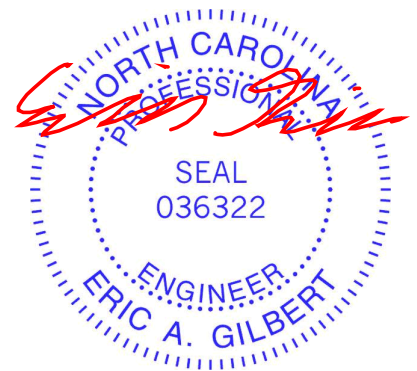
LOADING (psf)		SPACING-		CSI.		DEFL.				PLATES		GRIP	
TCLL	40.0	Plate Grip DOL	1.00	TC	0.07	Vert(LL)	n/a	-	n/a	999	MT20	244/190	
TCDL	10.0	Lumber DOL	1.00	BC	0.01	Vert(CT)	n/a	-	n/a	999	Weight: 84 lb FT = 20%F, 11%E		
BCLL	0.0	Rep Stress Incr	NO	WB	0.03	Horz(CT)	0.00	17	n/a	n/a			
BCDL	5.0	Code IRC2015/TPI2014		Matrix-S									

<b>LUMBER-</b>		<b>BRACING-</b>	
TOP CHORD	2x4 SP No.1(flat)	TOP CHORD	Structural wood sheathing directly applied or 6-0-0 oc purlins, except end verticals.
BOT CHORD	2x4 SP No.1(flat)	BOT CHORD	Rigid ceiling directly applied or 10-0-0 oc bracing.
WEBS	2x4 SP No.3(flat)		
OTHERS	2x4 SP No.3(flat)		


**REACTIONS.** All bearings 18-4-0.  
(lb) - Max Grav All reactions 250 lb or less at joint(s) 32, 17, 31, 30, 29, 28, 27, 25, 24, 23, 22, 21, 20, 19, 18

**FORCES.** (lb) - Max. Comp./Max. Ten. - All forces 250 (lb) or less except when shown.

- NOTES-**
- All plates are 1.5x3 MT20 unless otherwise indicated.
  - Plates checked for a plus or minus 1 degree rotation about its center.
  - Gable requires continuous bottom chord bearing.
  - Truss to be fully sheathed from one face or securely braced against lateral movement (i.e. diagonal web).
  - Gable studs spaced at 1-4-0 oc.
  - Recommend 2x6 strongbacks, on edge, spaced at 10-0-0 oc and fastened to each truss with 3-10d (0.131" X 3") nails. Strongbacks to be attached to walls at their outer ends or restrained by other means.
  - CAUTION, Do not erect truss backwards.



April 2, 2024

<p><b>WARNING - Verify design parameters and READ NOTES ON THIS AND INCLUDED MITEK REFERENCE PAGE MII-7473 rev. 1/2/2023 BEFORE USE.</b></p> <p>Design valid for use only with MiTek® connectors. This design is based only upon parameters shown, and is for an individual building component, not a truss system. Before use, the building designer must verify the applicability of design parameters and properly incorporate this design into the overall building design. Bracing indicated is to prevent buckling of individual truss web and/or chord members only. Additional temporary and permanent bracing is always required for stability and to prevent collapse with possible personal injury and property damage. For general guidance regarding the fabrication, storage, delivery, erection and bracing of trusses and truss systems, see <b>ANSI/TP1 Quality Criteria and DSB-22</b> available from Truss Plate Institute (www.tpinst.org) and <b>BCSI Building Component Safety Information</b> available from the Structural Building Component Association (www.sbcacomponents.com)</p>	<p>ENGINEERING BY</p>  <p>A MiTek Affiliate</p> <p>818 Soundside Road Edenton, NC 27932</p>
--	--

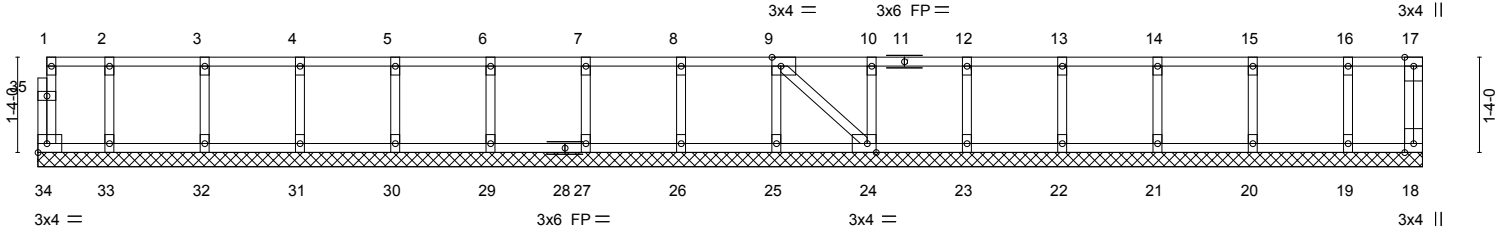
Job J1224-6951	Truss ET3	Truss Type GABLE	Qty 1	Ply 1	Lot 61 Magnolia Hills I64635034
-------------------	--------------	---------------------	----------	----------	------------------------------------

Comtech, Inc. Fayetteville, NC - 28314,

8.430 s Jan 6 2022 MiTek Industries, Inc. Tue Apr 2 11:08:32 2024 Page 1  
ID:aTXuLo?nW09qtpROz2WQ0wydkZW-RfC?PsB70Hq3NSgPqnL8w3uITXbGKWrCDoi7J4zJC?f

0-1-8

Scale: 3/8"=1'



1-0-0	2-4-0	3-8-0	5-0-0	6-4-0	7-8-0	9-0-0	10-4-0	11-8-0	13-0-0	14-4-0	15-8-0	17-0-0	18-4-0	19-4-8
1-0-0	1-4-0	1-4-0	1-4-0	1-4-0	1-4-0	1-4-0	1-4-0	1-4-0	1-4-0	1-4-0	1-4-0	1-4-0	1-4-0	1-0-8

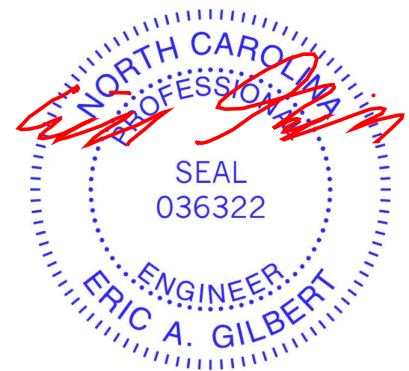
Plate Offsets (X,Y)-- [9:0-1-8,Edge], [24:0-1-8,Edge]						PLATES		GRIP	
<b>LOADING</b> (psf)	<b>SPACING-</b>	2-0-0	<b>CSI.</b>	<b>DEFL.</b>	in (loc)	l/defl	L/d	MT20	244/190
TCLL 40.0	Plate Grip DOL	1.00	TC 0.06	Vert(LL)	n/a	-	n/a		
TCDL 10.0	Lumber DOL	1.00	BC 0.01	Vert(CT)	n/a	-	n/a		
BCLL 0.0	Rep Stress Incr	YES	WB 0.03	Horz(CT)	0.00	18	n/a		
BCDL 5.0	Code IRC2015/TPI2014		Matrix-S					Weight: 89 lb	FT = 20%F, 11%E

<b>LUMBER-</b>	<b>BRACING-</b>
TOP CHORD 2x4 SP No.1(flat)	TOP CHORD Structural wood sheathing directly applied or 6-0-0 oc purlins, except end verticals.
BOT CHORD 2x4 SP No.1(flat)	BOT CHORD Rigid ceiling directly applied or 10-0-0 oc bracing.
WEBS 2x4 SP No.3(flat)	
OTHERS 2x4 SP No.3(flat)	

**REACTIONS.** All bearings 19-4-8.  
(lb) - Max Grav All reactions 250 lb or less at joint(s) 34, 18, 33, 32, 31, 30, 29, 27, 26, 25, 24, 23, 22, 21, 20, 19

**FORCES.** (lb) - Max. Comp./Max. Ten. - All forces 250 (lb) or less except when shown.

- NOTES-**
- 1) All plates are 1.5x3 MT20 unless otherwise indicated.
  - 2) Plates checked for a plus or minus 1 degree rotation about its center.
  - 3) Gable requires continuous bottom chord bearing.
  - 4) Truss to be fully sheathed from one face or securely braced against lateral movement (i.e. diagonal web).
  - 5) Gable studs spaced at 1-4-0 oc.
  - 6) Recommend 2x6 strongbacks, on edge, spaced at 10-0-0 oc and fastened to each truss with 3-10d (0.131" X 3") nails. Strongbacks to be attached to walls at their outer ends or restrained by other means.
  - 7) CAUTION, Do not erect truss backwards.



April 2, 2024

<p><b>WARNING - Verify design parameters and READ NOTES ON THIS AND INCLUDED MITEK REFERENCE PAGE MII-7473 rev. 1/2/2023 BEFORE USE.</b></p> <p>Design valid for use only with MiTek® connectors. This design is based only upon parameters shown, and is for an individual building component, not a truss system. Before use, the building designer must verify the applicability of design parameters and properly incorporate this design into the overall building design. Bracing indicated is to prevent buckling of individual truss web and/or chord members only. Additional temporary and permanent bracing is always required for stability and to prevent collapse with possible personal injury and property damage. For general guidance regarding the fabrication, storage, delivery, erection and bracing of trusses and truss systems, see <b>ANSI/TP1 Quality Criteria and DSB-22</b> available from Truss Plate Institute (www.tpinst.org) and <b>BCSI Building Component Safety Information</b> available from the Structural Building Component Association (www.sbcacomponents.com)</p>	<p>ENGINEERING BY</p> <p><b>TRENCO</b></p> <p>A MITEK Affiliates</p> <p>818 Soundside Road Edenton, NC 27932</p>
--	--



Job J1224-6951	Truss F1	Truss Type Floor	Qty 7	Ply 1	Lot 61 Magnolia Hills I64635035
-------------------	-------------	---------------------	----------	----------	------------------------------------

Comtech, Inc. Fayetteville, NC - 28314,

8.430 s Jan 6 2022 MiTek Industries, Inc. Tue Apr 2 11:08:33 2024 Page 1

ID:aTXuLo?nW09qtpROz2WQ0wydkZW-RfC?PsB70Hq3NSgPqnL8w3uITXbGKWrcDoi7J4zJC?f

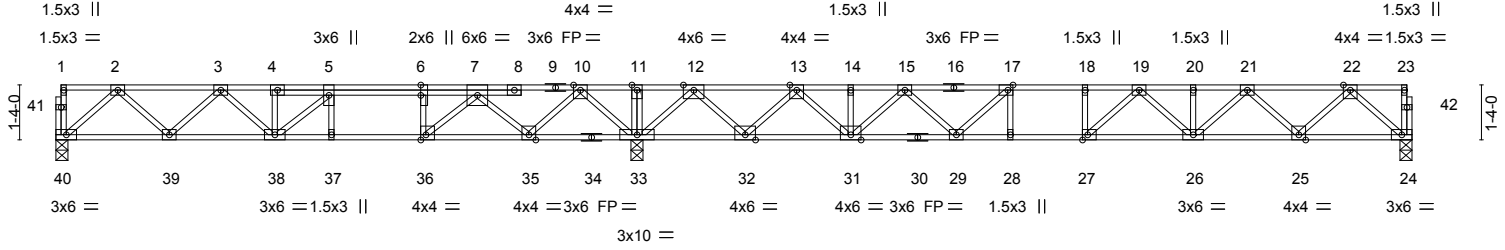


Plate Offsets (X,Y)--	[6:0-3-0,0-0-0], [17:0-1-8,Edge], [27:0-1-8,Edge], [36:0-1-8,Edge]
-----------------------	--

LOADING (psf)	SPACING-	2-0-0	CSI.	DEFL.	in (loc)	l/defl	L/d	PLATES	GRIP
TCLL 40.0	Plate Grip DOL	1.00	TC 0.63	Vert(LL)	-0.20	27	>999	MT20	244/190
TCDL 10.0	Lumber DOL	1.00	BC 0.82	Vert(CT)	-0.27	26-27	>820		
BCLL 0.0	Rep Stress Incr	YES	WB 0.63	Horz(CT)	0.04	24	n/a		
BCDL 5.0	Code IRC2015/TPI2014		Matrix-S						

Weight: 180 lb FT = 20%F, 11%E

LUMBER-	BRACING-
TOP CHORD 2x4 SP No.1(flat)	TOP CHORD Structural wood sheathing directly applied or 6-0-0 oc purlins, except end verticals.
BOT CHORD 2x4 SP No.1(flat)	BOT CHORD Rigid ceiling directly applied or 6-0-0 oc bracing.
WEBS 2x4 SP No.3(flat)	

**REACTIONS.** (size) 40=0-3-8, 24=0-3-8, 33=0-3-8  
 Max Grav 40=662(LC 3), 24=882(LC 4), 33=2190(LC 1)

**FORCES.** (lb) - Max. Comp./Max. Ten. - All forces 250 (lb) or less except when shown.

TOP CHORD 2-3=-1110/36, 3-4=-1659/212, 4-5=-1659/219, 5-6=-1602/621, 6-7=-1602/621, 7-10=-392/1404, 10-11=0/2571, 11-12=0/2571, 12-13=-40/475, 13-14=-1631/0, 14-15=-1631/0, 15-17=-2564/0, 17-18=-2931/0, 18-19=-2931/0, 19-20=-2592/0, 20-21=-2592/0, 21-22=-1586/0

BOT CHORD 39-40=0/704, 38-39=-106/1489, 37-38=-621/1602, 36-37=-621/1602, 35-36=-1086/1024, 33-35=-1709/0, 32-33=-1291/0, 31-32=-200/935, 29-31=0/2220, 28-29=0/2931, 27-28=0/2931, 26-27=0/2856, 25-26=0/2193, 24-25=0/952

WEBS 2-40=935/0, 2-39=-59/564, 3-39=-528/98, 4-38=-325/0, 5-38=0/648, 22-24=-1266/0, 22-25=0/881, 21-25=-845/0, 21-26=0/542, 19-26=-358/0, 19-27=-253/331, 12-33=-1704/0, 12-32=0/1314, 10-33=-1399/0, 10-35=0/993, 7-35=-1033/0, 7-36=0/1214, 6-36=-690/0, 13-32=-1288/0, 13-31=0/991, 15-31=-835/0, 15-29=0/579, 17-29=-718/0

- NOTES-**
- 1) Unbalanced floor live loads have been considered for this design.
  - 2) All plates are 3x4 MT20 unless otherwise indicated.
  - 3) Plates checked for a plus or minus 1 degree rotation about its center.
  - 4) Recommend 2x6 strongbacks, on edge, spaced at 10-0-0 oc and fastened to each truss with 3-10d (0.131" X 3") nails. Strongbacks to be attached to walls at their outer ends or restrained by other means.
  - 5) CAUTION, Do not erect truss backwards.

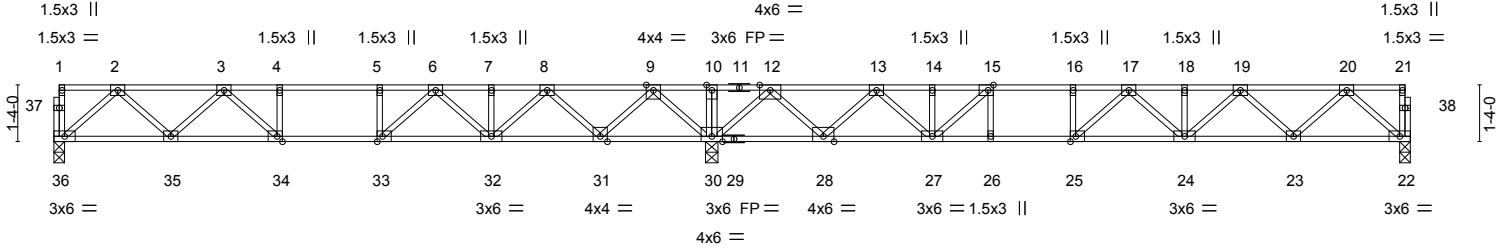


Job J1224-6951	Truss F2	Truss Type Floor	Qty 3	Ply 1	Lot 61 Magnolia Hills I64635036
-------------------	-------------	---------------------	----------	----------	------------------------------------

Comtech, Inc. Fayetteville, NC - 28314,

8.430 s Jan 6 2022 MiTek Industries, Inc. Tue Apr 2 11:08:34 2024 Page 1

ID:aTXuLo?nW09qtpROz2WQ0wydkZW-RfC?PsB70Hq3NSgPqnL8w3uITXbGKWrcD0i7J4zJC?f



	15-5-12	31-11-0			
	15-5-12	16-5-4			
Plate Offsets (X, Y)--	[15:0-1-8,Edge], [25:0-1-8,Edge], [33:0-1-8,Edge], [34:0-1-8,Edge]				
<b>LOADING</b> (psf)	<b>SPACING-</b> 2-0-0	<b>CSI.</b>	<b>DEFL.</b> in (loc) l/defl L/d	<b>PLATES</b>	<b>GRIP</b>
TCLL 40.0	Plate Grip DOL 1.00	TC 0.85	Vert(LL) -0.18 24-25 >999 480	MT20	244/190
TCDL 10.0	Lumber DOL 1.00	BC 0.91	Vert(CT) -0.25 24-25 >776 360		
BCLL 0.0	Rep Stress Incr YES	WB 0.54	Horz(CT) 0.04 22 n/a n/a		
BCDL 5.0	Code IRC2015/TPI2014	Matrix-S			
				Weight: 167 lb	FT = 20%F, 11%E

**LUMBER-**  
TOP CHORD 2x4 SP No.1(flat)  
BOT CHORD 2x4 SP No.1(flat)  
WEBS 2x4 SP No.3(flat)

**BRACING-**  
TOP CHORD Structural wood sheathing directly applied or 6-0-0 oc purlins, except end verticals.  
BOT CHORD Rigid ceiling directly applied or 6-0-0 oc bracing.

**REACTIONS.** (size) 36=0-3-0, 30=0-3-8, 22=0-3-0  
Max Grav 36=719(LC 3), 30=2079(LC 1), 22=795(LC 4)

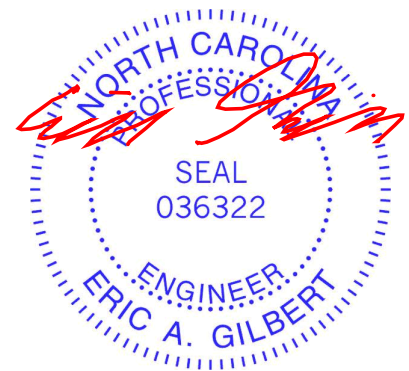
**FORCES.** (lb) - Max. Comp./Max. Ten. - All forces 250 (lb) or less except when shown.

TOP CHORD 2-3=-1229/0, 3-4=-1941/0, 4-5=-1941/0, 5-6=-1941/0, 6-7=-1408/202, 7-8=-1408/202, 8-9=-241/659, 9-10=0/2218, 10-12=0/2218, 12-13=-523/817, 13-14=-1712/332, 14-15=-1712/332, 15-16=-2291/0, 16-17=-2291/0, 17-18=-2225/0, 18-19=-2225/0, 19-20=-1395/0

BOT CHORD 35-36=0/769, 34-35=0/1668, 33-34=0/1941, 32-33=-35/1748, 31-32=-414/927, 30-31=-1214/0, 28-30=-1129/0, 27-28=-547/1232, 26-27=0/2291, 25-26=0/2291, 24-25=0/2385, 23-24=0/1918, 22-23=0/852

WEBS 2-36=-1022/0, 2-35=0/640, 3-35=-610/0, 3-34=-83/372, 9-30=-1439/0, 9-31=0/1062, 20-22=-1132/0, 20-23=0/755, 19-23=-728/0, 19-24=-1/417, 17-25=-477/33, 12-30=-1508/0, 8-31=-1027/0, 8-32=0/734, 6-32=-547/0, 6-33=0/628, 5-33=-320/0, 12-28=0/1134, 13-28=-1085/0, 13-27=0/740, 15-27=-1088/0, 15-26=0/273

- NOTES-**
- 1) Unbalanced floor live loads have been considered for this design.
  - 2) All plates are 3x4 MT20 unless otherwise indicated.
  - 3) Plates checked for a plus or minus 1 degree rotation about its center.
  - 4) Recommend 2x6 strongbacks, on edge, spaced at 10-0-0 oc and fastened to each truss with 3-10d (0.131" X 3") nails. Strongbacks to be attached to walls at their outer ends or restrained by other means.
  - 5) CAUTION, Do not erect truss backwards.



April 2, 2024

<p><b>WARNING - Verify design parameters and READ NOTES ON THIS AND INCLUDED MITEK REFERENCE PAGE MII-7473 rev. 1/2/2023 BEFORE USE.</b></p> <p>Design valid for use only with MiTek® connectors. This design is based only upon parameters shown, and is for an individual building component, not a truss system. Before use, the building designer must verify the applicability of design parameters and properly incorporate this design into the overall building design. Bracing indicated is to prevent buckling of individual truss web and/or chord members only. Additional temporary and permanent bracing is always required for stability and to prevent collapse with possible personal injury and property damage. For general guidance regarding the fabrication, storage, delivery, erection and bracing of trusses and truss systems, see <b>ANSI/TPI1 Quality Criteria and DSB-22</b> available from Truss Plate Institute (www.tpinst.org) and <b>BCSI Building Component Safety Information</b> available from the Structural Building Component Association (www.sbcacomponents.com)</p>	 818 Soundside Road Edenton, NC 27932
---	---

Job J1224-6951	Truss F3	Truss Type Floor	Qty 9	Ply 1	Lot 61 Magnolia Hills I64635037
-------------------	-------------	---------------------	----------	----------	------------------------------------

Comtech, Inc. Fayetteville, NC - 28314,

8.430 s Jan 6 2022 MiTek Industries, Inc. Tue Apr 2 11:08:34 2024 Page 1  
ID:aTXuLo?nW09qtpROz2WQ0wydkZW-RfC?PsB70Hq3NSgPqnL8w3uITXbGKWrCDoi7J4zJC?f

0-1-8  
1-3-0 1-5-0 0-1-8  
Scale = 1:32.8

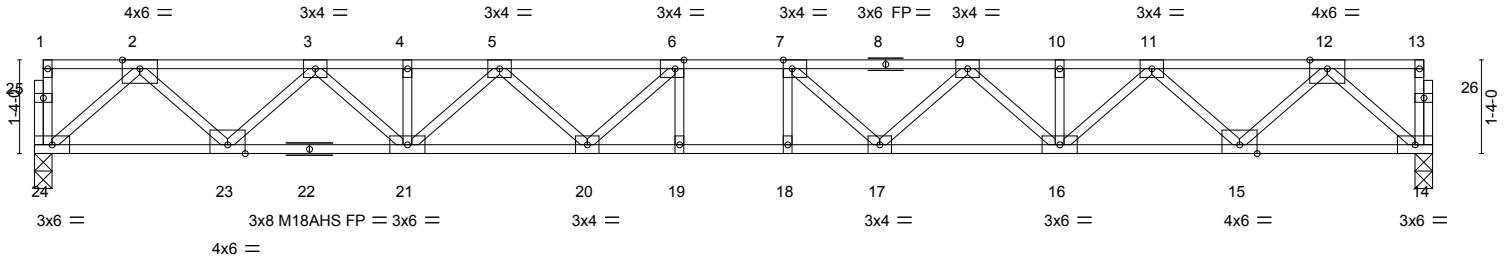


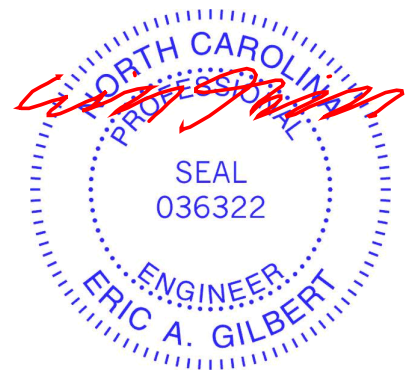
Plate Offsets (X,Y)--	[6:0-1-8,Edge], [7:0-1-8,Edge]				
<b>LOADING</b> (psf)	<b>SPACING-</b> 2-0-0	<b>CSI.</b>	<b>DEFL.</b> in (loc) l/defl L/d	<b>PLATES</b>	<b>GRIP</b>
TCLL 40.0	Plate Grip DOL 1.00	TC 0.56	Vert(LL) -0.33 18-19 >724 480	MT20 244/190	
TCDL 10.0	Lumber DOL 1.00	BC 0.95	Vert(CT) -0.45 18-19 >526 360	M18AHS 186/179	
BCLL 0.0	Rep Stress Incr YES	WB 0.55	Horz(CT) 0.08 14 n/a n/a		
BCDL 5.0	Code IRC2015/TP12014	Matrix-S			Weight: 106 lb FT = 20%F, 11%E

<b>LUMBER-</b>	<b>BRACING-</b>
TOP CHORD 2x4 SP No.1(flat)	TOP CHORD Structural wood sheathing directly applied or 5-9-6 oc purlins, except end verticals.
BOT CHORD 2x4 SP No.1(flat)	BOT CHORD Rigid ceiling directly applied or 2-2-0 oc bracing.
WEBS 2x4 SP No.3(flat)	

**REACTIONS.** (size) 24=0-3-0, 14=0-3-0  
Max Grav 24=1075(LC 1), 14=1075(LC 1)

**FORCES.** (lb) - Max. Comp./Max. Ten. - All forces 250 (lb) or less except when shown.  
TOP CHORD 2-3=-2005/0, 3-4=-3408/0, 4-5=-3408/0, 5-6=-4160/0, 6-7=-4391/0, 7-9=-4160/0, 9-10=-3408/0, 10-11=-3408/0, 11-12=-2005/0  
BOT CHORD 23-24=0/1172, 21-23=0/2810, 20-21=0/3918, 19-20=0/4391, 18-19=0/4391, 17-18=0/4391, 16-17=0/3918, 15-16=0/2810, 14-15=0/1172  
WEBS 2-24=-1557/0, 2-23=0/1160, 3-23=-1119/0, 3-21=0/814, 5-21=-693/0, 5-20=0/469, 6-20=-575/87, 12-14=-1557/0, 12-15=0/1160, 11-15=-1119/0, 11-16=0/814, 9-16=-693/0, 9-17=0/469, 7-17=-575/87

- NOTES-**
- 1) Unbalanced floor live loads have been considered for this design.
  - 2) All plates are MT20 plates unless otherwise indicated.
  - 3) All plates are 1.5x3 MT20 unless otherwise indicated.
  - 4) Plates checked for a plus or minus 1 degree rotation about its center.
  - 5) Recommend 2x6 strongbacks, on edge, spaced at 10-0-0 oc and fastened to each truss with 3-10d (0.131" X 3") nails. Strongbacks to be attached to walls at their outer ends or restrained by other means.



Job J1224-6951	Truss F4	Truss Type Floor	Qty 10	Ply 1	Lot 61 Magnolia Hills I64635038
-------------------	-------------	---------------------	-----------	----------	------------------------------------

Comtech, Inc. Fayetteville, NC - 28314,

8.430 s Jan 6 2022 MiTek Industries, Inc. Tue Apr 2 11:08:35 2024 Page 1

ID:aTXuLo?nW09qtpROz2WQ0wydkZW-RfC?PsB70Hq3NSgPqnL8w3uITXbGKWrCDoi7J4zJC?f

0-1-8



Scale = 1:32.8

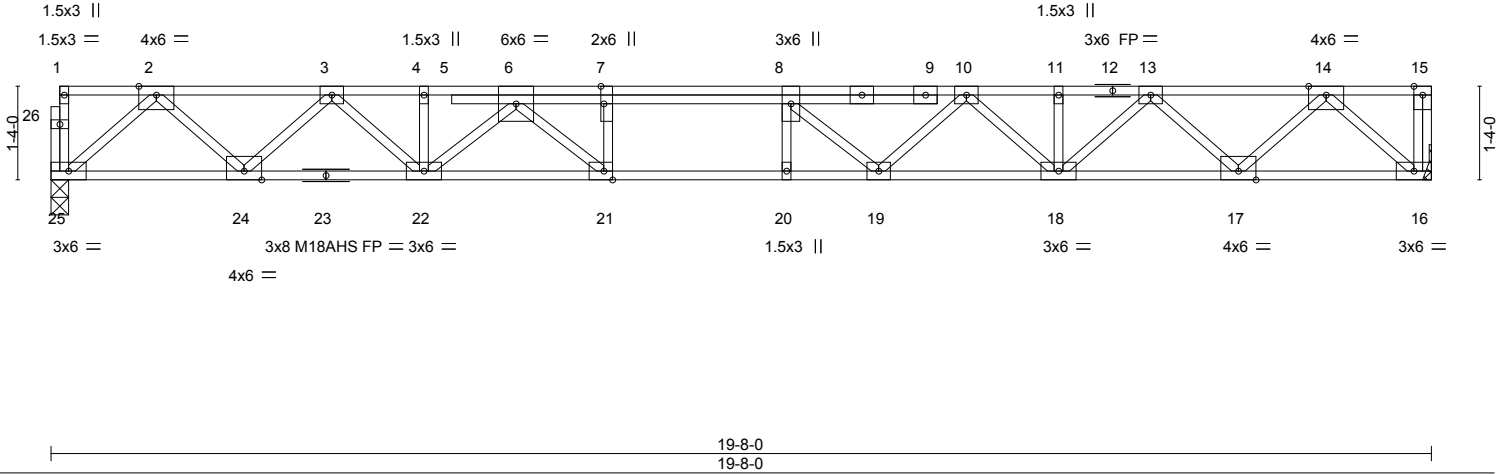


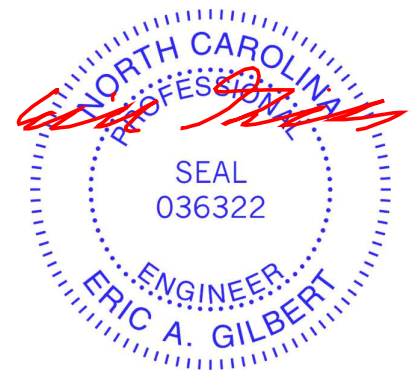
Plate Offsets (X, Y)--	[7:0-3-0,Edge], [21:0-1-8,Edge]				
<b>LOADING</b> (psf)	<b>SPACING-</b> 2-0-0	<b>CSI.</b>	<b>DEFL.</b> in (loc) l/defl L/d	<b>PLATES</b>	<b>GRIP</b>
TCLL 40.0	Plate Grip DOL 1.00	TC 0.39	Vert(LL) -0.29 20 >806 480	MT20	244/190
TCDL 10.0	Lumber DOL 1.00	BC 0.88	Vert(CT) -0.40 20 >587 360	M18AHS	186/179
BCLL 0.0	Rep Stress Incr YES	WB 0.54	Horz(CT) 0.08 16 n/a n/a		
BCDL 5.0	Code IRC2015/TP12014	Matrix-S			
				Weight: 112 lb	FT = 20%F, 11%E

<b>LUMBER-</b>	<b>BRACING-</b>
TOP CHORD 2x4 SP No.1(flat)	TOP CHORD Structural wood sheathing directly applied or 6-0-0 oc purlins, except end verticals.
BOT CHORD 2x4 SP No.1(flat)	BOT CHORD Rigid ceiling directly applied or 10-0-0 oc bracing.
WEBS 2x4 SP No.3(flat)	

**REACTIONS.** (size) 25=0-3-0, 16=Mechanical  
Max Grav 25=1062(LC 1), 16=1068(LC 1)

**FORCES.** (lb) - Max. Comp./Max. Ten. - All forces 250 (lb) or less except when shown.  
TOP CHORD 2-3=-1976/0, 3-4=-3346/0, 4-6=-3350/0, 6-7=-4437/0, 7-8=-4437/0, 8-10=-4140/0, 10-11=-3354/0, 11-13=-3354/0, 13-14=-1976/0  
BOT CHORD 24-25=0/1156, 22-24=0/2765, 21-22=0/3951, 20-21=0/4437, 19-20=0/4437, 18-19=0/3823, 17-18=0/2764, 16-17=0/1157  
WEBS 2-25=-1537/0, 2-24=0/1140, 3-24=-1097/0, 3-22=0/790, 6-22=-803/0, 6-21=0/970, 7-21=-557/0, 14-16=-1541/0, 14-17=0/1139, 13-17=-1096/0, 13-18=0/802, 10-18=-637/0, 10-19=0/581, 8-19=-621/0

- NOTES-**
- 1) Unbalanced floor live loads have been considered for this design.
  - 2) All plates are MT20 plates unless otherwise indicated.
  - 3) All plates are 3x4 MT20 unless otherwise indicated.
  - 4) Plates checked for a plus or minus 1 degree rotation about its center.
  - 5) Refer to girder(s) for truss to truss connections.
  - 6) Recommend 2x6 strongbacks, on edge, spaced at 10-0-0 oc and fastened to each truss with 3-10d (0.131" X 3") nails. Strongbacks to be attached to walls at their outer ends or restrained by other means.
  - 7) CAUTION, Do not erect truss backwards.



April 2, 2024

**WARNING - Verify design parameters and READ NOTES ON THIS AND INCLUDED MITEK REFERENCE PAGE MII-7473 rev. 1/2/2023 BEFORE USE.**  
Design valid for use only with MiTek® connectors. This design is based only upon parameters shown, and is for an individual building component, not a truss system. Before use, the building designer must verify the applicability of design parameters and properly incorporate this design into the overall building design. Bracing indicated is to prevent buckling of individual truss web and/or chord members only. Additional temporary and permanent bracing is always required for stability and to prevent collapse with possible personal injury and property damage. For general guidance regarding the fabrication, storage, delivery, erection and bracing of trusses and truss systems, see **ANSI/TP1 Quality Criteria and DSB-22** available from Truss Plate Institute (www.tpinst.org) and **BCSI Building Component Safety Information** available from the Structural Building Component Association (www.sbcacomponents.com)

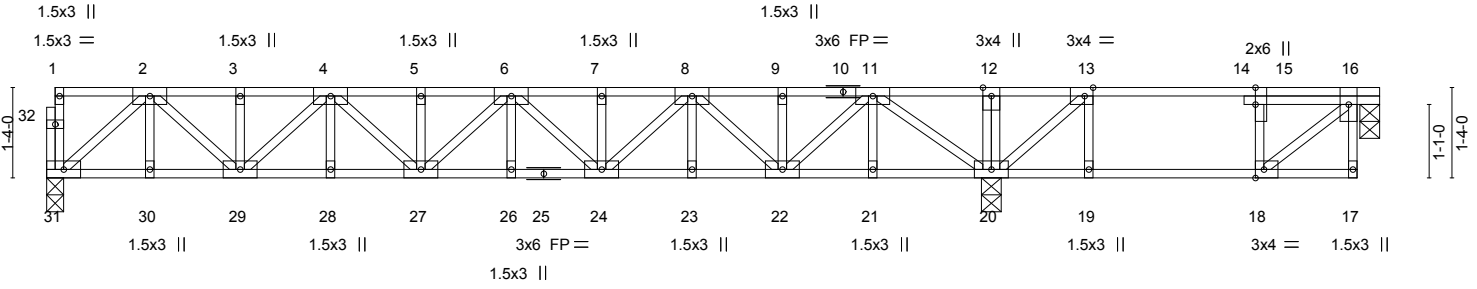


Job J1224-6951	Truss F4A	Truss Type Floor	Qty 1	Ply 1	Lot 61 Magnolia Hills Job Reference (optional)	I64635039
-------------------	--------------	---------------------	----------	----------	---	-----------

Comtech, Inc. Fayetteville, NC - 28314,

8.430 s Jan 6 2022 MiTek Industries, Inc. Tue Apr 2 11:08:35 2024 Page 1

ID:aTXuLo?nW09qtpROz2WQ0wydkZW-RfC?PsB70Hq3NSgPqnL8w3uITXbGKWrCDoi7J4zJC?f



	13-11-4	15-5-4	16-7-10	17-10-0	19-4-0	19-8-0
	13-11-4	1-6-0	1-2-6	1-2-6	1-6-0	0-4-0
Plate Offsets (X,Y)--	[13:0-1-8,Edge], [15:0-3-0,0-0-0], [18:0-1-8,Edge]					

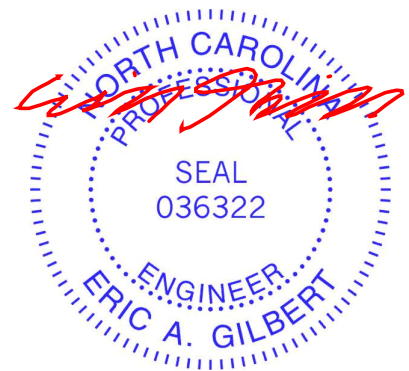
<b>LOADING</b> (psf)	<b>SPACING-</b>	2-0-0	<b>CSI.</b>	<b>DEFL.</b>	in (loc)	l/defl	L/d	<b>PLATES</b>	<b>GRIP</b>
TCLL 40.0	Plate Grip DOL	1.00	TC 0.40	Vert(LL)	-0.08	26	>999	MT20	244/190
TCDL 10.0	Lumber DOL	1.00	BC 0.38	Vert(CT)	-0.11	26	>999		
BCLL 0.0	Rep Stress Incr	YES	WB 0.37	Horz(CT)	0.03	20	n/a		
BCDL 5.0	Code IRC2015/TPI2014		Matrix-S						
								Weight: 115 lb	FT = 20%F, 11%E

<b>LUMBER-</b>	<b>BRACING-</b>
TOP CHORD 2x4 SP No.1(flat)	TOP CHORD Structural wood sheathing directly applied or 6-0-0 oc purlins, except end verticals.
BOT CHORD 2x4 SP No.1(flat)	BOT CHORD Rigid ceiling directly applied or 10-0-0 oc bracing, Except: 6-0-0 oc bracing: 19-20,18-19.
WEBS 2x4 SP No.3(flat)	

**REACTIONS.** (size) 31=0-3-0, 16=0-3-8, 20=0-3-8  
Max Grav 31=730(LC 8), 16=275(LC 4), 20=1157(LC 7)

**FORCES.** (lb) - Max. Comp./Max. Ten. - All forces 250 (lb) or less except when shown.  
TOP CHORD 2-3=-1331/0, 3-4=-1331/0, 4-5=-1969/0, 5-6=-1969/0, 6-7=-1961/0, 7-8=-1961/0, 8-9=-1306/0, 9-11=-1306/0, 11-12=0/365, 12-13=0/364, 13-15=-276/99, 15-16=-253/96  
BOT CHORD 30-31=0/775, 29-30=0/775, 28-29=0/1732, 27-28=0/1732, 26-27=0/2047, 24-26=0/2047, 23-24=0/1717, 22-23=0/1717, 21-22=0/750, 20-21=0/750, 19-20=-96/253, 18-19=-96/253  
WEBS 16-18=-125/330, 2-31=-1021/0, 2-29=0/751, 4-29=-541/0, 4-27=0/319, 8-24=0/345, 8-22=-569/0, 11-22=0/769, 11-20=-1229/0, 13-20=-575/0

- NOTES-**
- 1) Unbalanced floor live loads have been considered for this design.
  - 2) All plates are 3x6 MT20 unless otherwise indicated.
  - 3) Plates checked for a plus or minus 1 degree rotation about its center.
  - 4) Recommend 2x6 strongbacks, on edge, spaced at 10-0-0 oc and fastened to each truss with 3-10d (0.131" X 3") nails. Strongbacks to be attached to walls at their outer ends or restrained by other means.
  - 5) Gap between inside of top chord bearing and first diagonal or vertical web shall not exceed 0.500in.
  - 6) CAUTION, Do not erect truss backwards.



April 2, 2024

<p><b>WARNING - Verify design parameters and READ NOTES ON THIS AND INCLUDED MITEK REFERENCE PAGE MII-7473 rev. 1/2/2023 BEFORE USE.</b></p> <p>Design valid for use only with MiTek® connectors. This design is based only upon parameters shown, and is for an individual building component, not a truss system. Before use, the building designer must verify the applicability of design parameters and properly incorporate this design into the overall building design. Bracing indicated is to prevent buckling of individual truss web and/or chord members only. Additional temporary and permanent bracing is always required for stability and to prevent collapse with possible personal injury and property damage. For general guidance regarding the fabrication, storage, delivery, erection and bracing of trusses and truss systems, see <b>ANSI/TPI1 Quality Criteria and DSB-22</b> available from Truss Plate Institute (<a href="http://www.tpinst.org">www.tpinst.org</a>) and <b>BCSI Building Component Safety Information</b> available from the Structural Building Component Association (<a href="http://www.sbcacomponents.com">www.sbcacomponents.com</a>)</p>	<p>ENGINEERING BY</p> <p><b>TRENCO</b></p> <p>A MiTek Affiliate</p> <p>818 Soundside Road Edenton, NC 27932</p>
---	---

Job J1224-6951	Truss F5	Truss Type FLOOR	Qty 1	Ply 1	Lot 61 Magnolia Hills Job Reference (optional)	I64635040
-------------------	-------------	---------------------	----------	----------	---	-----------

Comtech, Inc. Fayetteville, NC - 28314,

8.430 s Jan 6 2022 MiTek Industries, Inc. Tue Apr 2 11:08:36 2024 Page 1

ID:aTXuLo?nW09qtpROz2WQ0wydkZW-RfC?PsB70Hq3NSgPqnL8w3uITXbGKWrCDoi7J4zJC?f

0-1-8



Scale = 1:11.4

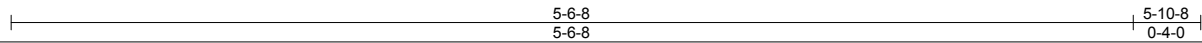
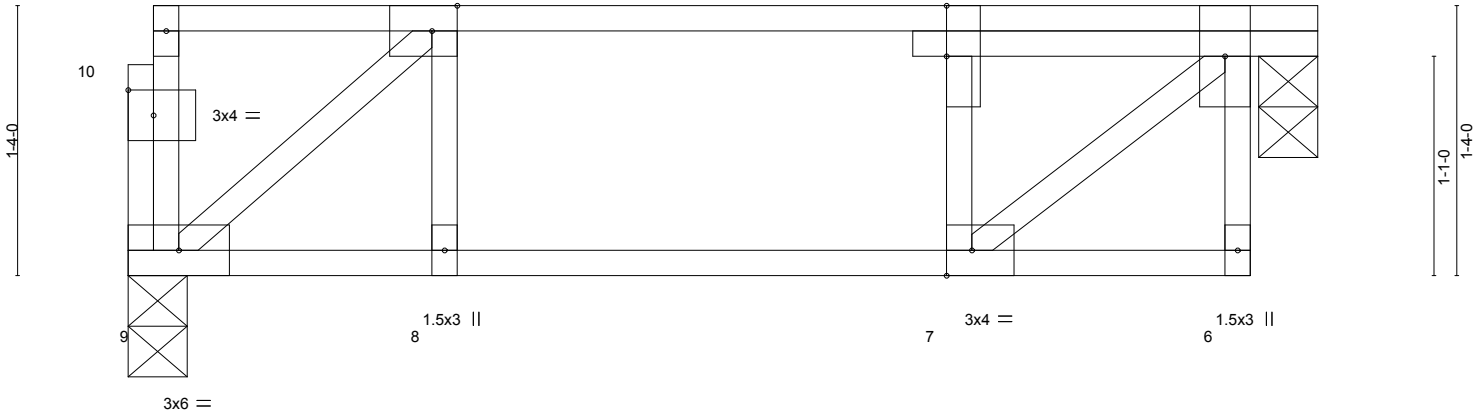


Plate Offsets (X,Y)-- [2:0-1-8,Edge], [4:0-3-0,Edge], [7:0-1-8,Edge], [10:0-1-8,0-1-8]

LOADING (psf)	SPACING-	2-0-0	CSI.	DEFL.	in (loc)	l/defl	L/d	PLATES	GRIP	
TCLL 40.0	Plate Grip DOL	1.00	TC 0.21	Vert(LL)	-0.01	7	>999	480	MT20	244/190
TCDL 10.0	Lumber DOL	1.00	BC 0.12	Vert(CT)	-0.01	7	>999	360		
BCLL 0.0	Rep Stress Incr	YES	WB 0.18	Horz(CT)	-0.01	5	n/a	n/a		
BCDL 5.0	Code IRC2015/TPI2014		Matrix-S							
									Weight: 32 lb	FT = 20%F, 11%E

LUMBER-	BRACING-
TOP CHORD 2x4 SP No.1(flat)	TOP CHORD Structural wood sheathing directly applied or 5-10-8 oc purlins, except end verticals.
BOT CHORD 2x4 SP No.1(flat)	BOT CHORD Rigid ceiling directly applied or 10-0-0 oc bracing.
WEBS 2x4 SP No.3(flat)	

**REACTIONS.** (size) 9=0-3-8, 5=0-3-8  
Max Grav 9=288(LC 1), 5=294(LC 1)

**FORCES.** (lb) - Max. Comp./Max. Ten. - All forces 250 (lb) or less except when shown.  
TOP CHORD 2-4=-322/0, 4-5=-298/0  
BOT CHORD 8-9=0/298, 7-8=0/298  
WEBS 2-9=-386/0, 5-7=0/387

- NOTES-**
- 1) Unbalanced floor live loads have been considered for this design.
  - 2) Plates checked for a plus or minus 1 degree rotation about its center.
  - 3) Recommend 2x6 strongbacks, on edge, spaced at 10-0-0 oc and fastened to each truss with 3-10d (0.131" X 3") nails. Strongbacks to be attached to walls at their outer ends or restrained by other means.
  - 4) Gap between inside of top chord bearing and first diagonal or vertical web shall not exceed 0.500in.
  - 5) CAUTION, Do not erect truss backwards.





Job J1224-6951	Truss FG1	Truss Type FLOOR	Qty 1	Ply 1	Lot 61 Magnolia Hills Job Reference (optional)	I64635041
-------------------	--------------	---------------------	----------	----------	---	-----------

Comtech, Inc. Fayetteville, NC - 28314,

8.430 s Jan 6 2022 MiTek Industries, Inc. Tue Apr 2 11:08:36 2024 Page 1

ID:aTXuLo?nW09qtpROz2WQ0wydkZW-RfC?PsB70Hq3NSgPqnL8w3uITXbGKWrCDoi7J4zJC?f

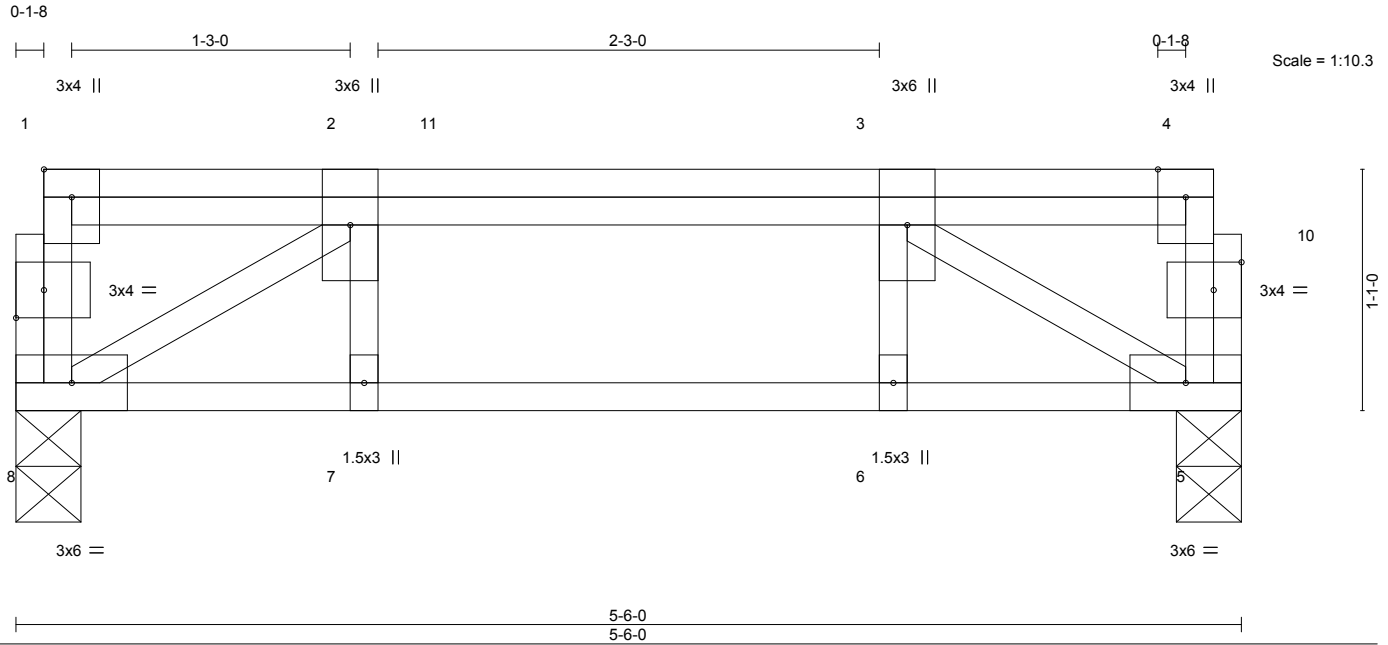


Plate Offsets (X,Y)-- [1:Edge,0-1-8], [9:0-1-8,0-1-8], [10:0-1-8,0-1-8]

LOADING (psf)	SPACING-	2-0-0	CSI.	DEFL.	in (loc)	l/defl	L/d	PLATES	GRIP	
TCLL 40.0	Plate Grip DOL	1.00	TC 0.12	Vert(LL)	-0.01	6	>999	480	MT20	244/190
TCDL 10.0	Lumber DOL	1.00	BC 0.17	Vert(CT)	-0.01	6-7	>999	360		
BCLL 0.0	Rep Stress Incr	NO	WB 0.19	Horz(CT)	0.01	5	n/a	n/a		
BCDL 5.0	Code IRC2015/TP12014		Matrix-S							
									Weight: 34 lb	FT = 20%F, 11%E

LUMBER-	BRACING-
TOP CHORD 2x4 SP No.1(flat)	TOP CHORD Structural wood sheathing directly applied or 5-6-0 oc purlins, except end verticals.
BOT CHORD 2x4 SP No.1(flat)	BOT CHORD Rigid ceiling directly applied or 10-0-0 oc bracing.
WEBS 2x4 SP No.3(flat)	

**REACTIONS.** (size) 8=0-3-8, 5=0-3-8  
Max Grav 8=456(LC 1), 5=478(LC 1)

**FORCES.** (lb) - Max. Comp./Max. Ten. - All forces 250 (lb) or less except when shown.  
TOP CHORD 2-3=-685/0  
BOT CHORD 7-8=0/685, 6-7=0/685, 5-6=0/685  
WEBS 2-8=-806/0, 3-5=-804/0

**NOTES-**  
1) Unbalanced floor live loads have been considered for this design.  
2) Plates checked for a plus or minus 1 degree rotation about its center.  
3) Recommend 2x6 strongbacks, on edge, spaced at 10-0-0 oc and fastened to each truss with 3-10d (0.131" X 3") nails. Strongbacks to be attached to walls at their outer ends or restrained by other means.

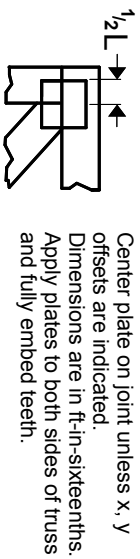
**LOAD CASE(S)** Standard  
1) Dead + Floor Live (balanced): Lumber Increase=1.00, Plate Increase=1.00  
Uniform Loads (plf)  
Vert: 5-8=-10, 1-4=-100  
Concentrated Loads (lb)  
Vert: 3=-175 11=-194



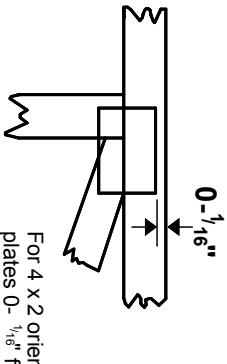
April 2, 2024

# Symbols

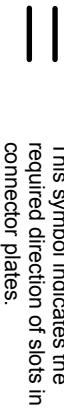
## PLATE LOCATION AND ORIENTATION



Center plate on joint unless x, y offsets are indicated. Dimensions are in ft-in-sixteenths. Apply plates to both sides of truss and fully embed teeth.



For 4 x 2 orientation, locate plates 0-  $\frac{1}{16}$ \" from outside edge of truss.



This symbol indicates the required direction of slots in connector plates.

\* Plate location details available in MITek software or upon request.

## PLATE SIZE

4 X 4

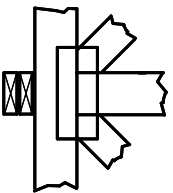
The first dimension is the plate width measured perpendicular to slots. Second dimension is the length parallel to slots.

## LATERAL BRACING LOCATION



Indicated by symbol shown and/or by text in the bracing section of the output. Use T or I bracing if indicated.

## BEARING

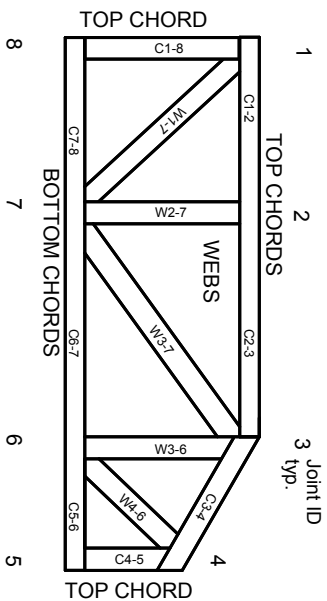


Indicates location where bearings (supports) occur. Icons vary but reaction section indicates joint number/letter where bearings occur. Min size shown is for crushing only.

## Industry Standards:

ANSI/TFP 1: National Design Specification for Metal Plate Connected Wood Truss Construction.  
DSB-22: Design Standard for Bracing.  
BCSI: Building Component Safety Information, Guide to Good Practice for Handling, Installing, Restraining & Bracing of Metal Plate Connected Wood Trusses.

# Numbering System



JOINTS ARE GENERALLY NUMBERED/LETTERED CLOCKWISE AROUND THE TRUSS STARTING AT THE JOINT FARTHEST TO THE LEFT.

CHORDS AND WEBS ARE IDENTIFIED BY END JOINT NUMBERS/LETTERS.

# Product Code Approvals

ICC-ES Reports:

ESR-1988, ESR-2362, ESR-2685, ESR-3282  
ESR-4722, ESL-1388

# Design General Notes

Trusses are designed for wind loads in the plane of the truss unless otherwise shown.

Lumber design values are in accordance with ANSI/TFP 1 section 6.3. These truss designs rely on Lumber values established by others.

© 2023 MITek® All Rights Reserved

# General Safety Notes

## Failure to Follow Could Cause Property Damage or Personal Injury

1. Additional stability bracing for truss system, e.g. diagonal or X-bracing, is always required. See BCSI.
2. Truss bracing must be designed by an engineer. For wide truss spacing, individual lateral braces themselves may require bracing, or alternative Tor I bracing should be considered.
3. Never exceed the design loading shown and never stack materials on inadequately braced trusses.
4. Provide copies of this truss design to the building designer, erection supervisor, property owner and all other interested parties.
5. Cut members to bear tightly against each other.
6. Place plates on each face of truss at each joint and embed fully. Knots and wane at joint locations are regulated by ANSI/TFP 1.
7. Design assumes trusses will be suitably protected from the environment in accord with ANSI/TFP 1.
8. Unless otherwise noted, moisture content of lumber shall not exceed 19% at time of fabrication.
9. Unless expressly noted, this design is not applicable for use with fire retardant, preservative treated, or green lumber.
10. Camber is a non-structural consideration and is the responsibility of truss fabricator. General practice is to camber for dead load deflection.
11. Plate type, size, orientation and location dimensions indicated are minimum plating requirements.
12. Lumber used shall be of the species and size, and in all respects, equal to or better than that specified.
13. Top chords must be sheathed or purlins provided at spacing indicated on design.
14. Bottom chords require lateral bracing at 10 ft. spacing, or less, if no ceiling is installed, unless otherwise noted.
15. Connections not shown are the responsibility of others.
16. Do not cut or alter truss member or plate without prior approval of an engineer.
17. Install and load vertically unless indicated otherwise.
18. Use of green or treated lumber may pose unacceptable environmental, health or performance risks. Consult with project engineer before use.
19. Review all portions of this design (front, back, words and pictures) before use. Reviewing pictures alone is not sufficient.
20. Design assumes manufacture in accordance with ANSI/TFP 1 Quality Criteria.
21. The design does not take into account any dynamic or other loads other than those expressly stated.

**MITek**

ENGINEERING BY  
**TRENGO**  
A MITek Affiliate

MITek Engineering Reference Sheet: MI-7473 rev. 1/2/2023