

HAMEL Model Garage Right

STANDARD WITH OPTIONS

April 10, 2023

BUILDING AREAS:

HEATED AREAS:
 MAIN FLOOR ± 860.51 SQ FT
 FIRST FLOOR ± 997.15 SQ FT

TOTAL HEATED ± 1857.66 SQ FT

UNHEATED AREAS:
 FRONT PORCH ± 138.92 SQ FT
 REAR PORCH ± 60.58 SQ FT
 GARAGE ± 393.25 SQ FT

TOTAL AREA: ± 2450.41 SQ FT

OPTIONAL 3RD CAR GARAGE ± 240.85 SQ FT

TOTAL AREA WITH OPTIONS: ± 2691.26 SQ FT

SHEET INDEX

- A0 COVER SHEET
- P1 PLUMBING FIXTURE LOCATIONS
- A1 FLOOR PLANS
- A1.1 DIMENSIONED FLOOR PLANS
- A1.1a A/C SUPPLY & RETURN PLANS
- A1.2 ROOF PLAN
- A2.a ALL EXTERNAL ELEVATIONS - ELEVATION A
- A2.b ALL EXTERNAL ELEVATIONS - ELEVATION B
- A3 CONSTRUCTION BUILDING SECTIONS
- A4 WINDOW & DOOR SCHEDULES
- FR.8 FRAMED KITCHEN ISLAND DESIGN OPTIONS
- AD.3 FIREPLACE SELECTION OPTIONS
- AD.8 EXTERNAL GARAGE TRELLIS, CORBELS, BRACKETS
- AD.13 WINDOW SHUTTERS & STAY DETAILS
- E1 ELECTRICAL MAIN & UPPER FLOOR PLANS
- E1.2 ELECTRICAL / TRUSS MAIN FLOOR OVERLAY - TO FOLLOW
- E1.3 ELECTRICAL / TRUSS UPPER FLOOR OVERLAY - TO FOLLOW

OPTIONS

House Plan	Development	Lot #	Address	Garage Side	Total HSF	Total Under Roof
Hamel	Oakmont	339	209 Travelers Way	Right	1857.66	2691.26

EXTERIOR:

<input type="checkbox"/>	Elevation STD or A
<input checked="" type="checkbox"/>	Elevation B
<input type="checkbox"/>	Elevation C
<input type="checkbox"/>	Cement Siding
<input checked="" type="checkbox"/>	Vinyl Siding
<input type="checkbox"/>	Lap siding only
<input checked="" type="checkbox"/>	Board and Batten
<input type="checkbox"/>	Trellis
<input checked="" type="checkbox"/>	Shutters
<input type="checkbox"/>	3 Car Garage
<input type="checkbox"/>	Side Load
<input type="checkbox"/>	Garage Window Panels
<input type="checkbox"/>	Garage door from double car to single car garage
<input type="checkbox"/>	Garage Door to Back Yard
<input type="checkbox"/>	Covered Back Porch
<input type="checkbox"/>	Extended Porch
<input type="checkbox"/>	Side Lite
<input type="checkbox"/>	Stone Skirt
<input checked="" type="checkbox"/>	Stem
<input type="checkbox"/>	Crawl

INTERIOR:

<input type="checkbox"/>	Extra windows in living room
<input type="checkbox"/>	Optional Kitchen Layout
<input type="checkbox"/>	1st Floor Guest Suite
<input type="checkbox"/>	1st Floor Flex Room
<input checked="" type="checkbox"/>	Standard Electric Fireplace
<input type="checkbox"/>	Gas Fireplace
<input type="checkbox"/>	Shiplap Electric Fireplace
<input type="checkbox"/>	Shiplap Gas Fireplace
<input type="checkbox"/>	Bookshelves
<input type="checkbox"/>	Under Cab Lighting
<input type="checkbox"/>	Bonus Room
<input type="checkbox"/>	2nd Vanity in Secondary bathroom
<input type="checkbox"/>	Linen Room Door (Argyle Owner Suite Only)
<input type="checkbox"/>	Open Railing
<input type="checkbox"/>	Attic Stairs
<input type="checkbox"/>	Laundry Sink

ELECTRICAL:

<input type="checkbox"/>	Under Cab Lights
<input type="checkbox"/>	Second Vanity - Upstairs bathroom



ORIGINAL FRONT ELEVATION SKETCH

REVISIONS:

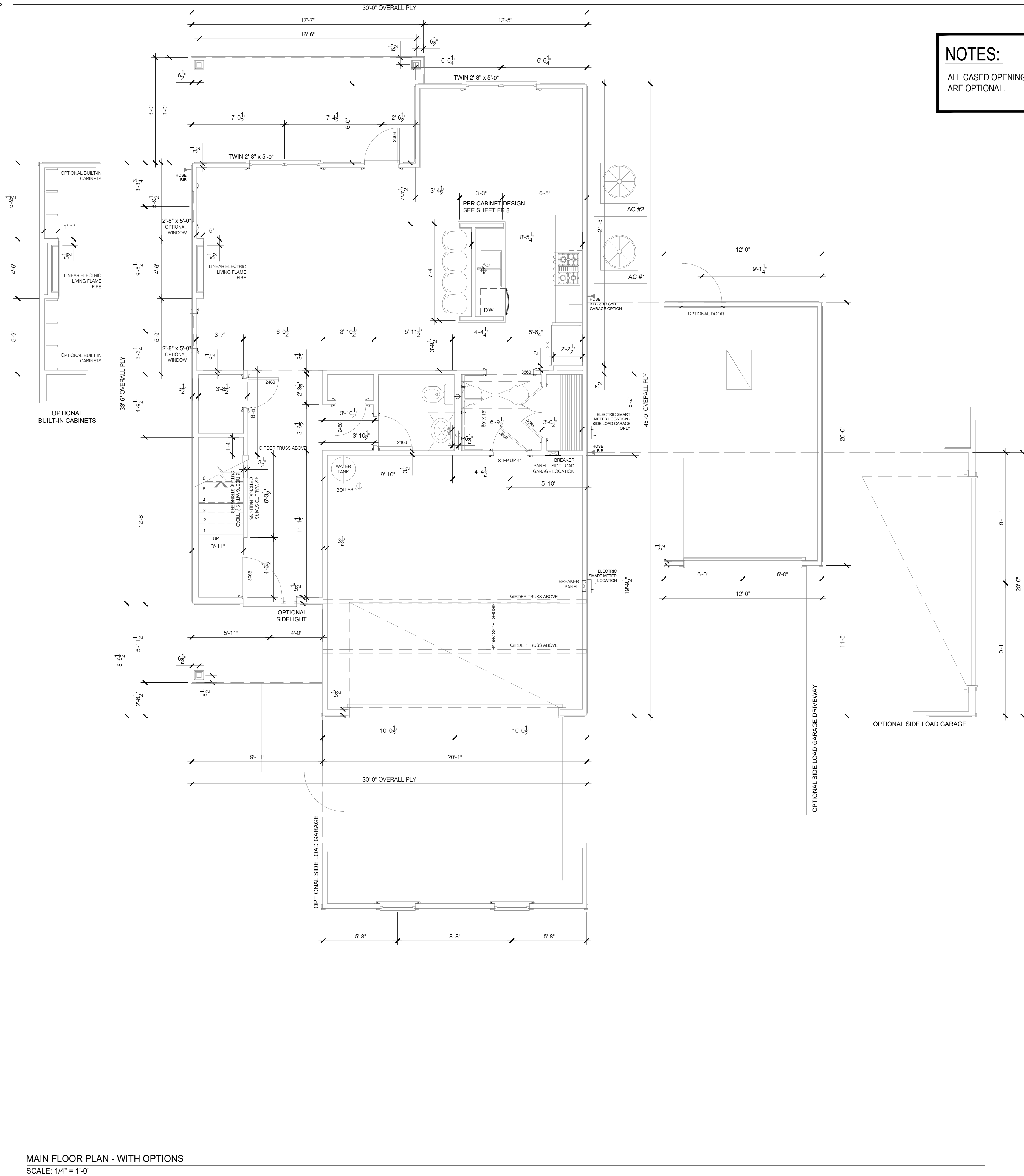
J.S. THOMPSON
ENGINEERING, INC.

333 E. SIX FORKS RD., SUITE 180
 RALEIGH, NC 27609
 PHONE: (919) 789-9919
 FAX: (919) 789-9921
 N.C. LICENSE NO. C-1733

ASCOT
 Land Development and Construction
 (910) 688-7361 • www.ascotgrp.com

THE HAMEL
 COVER SHEET

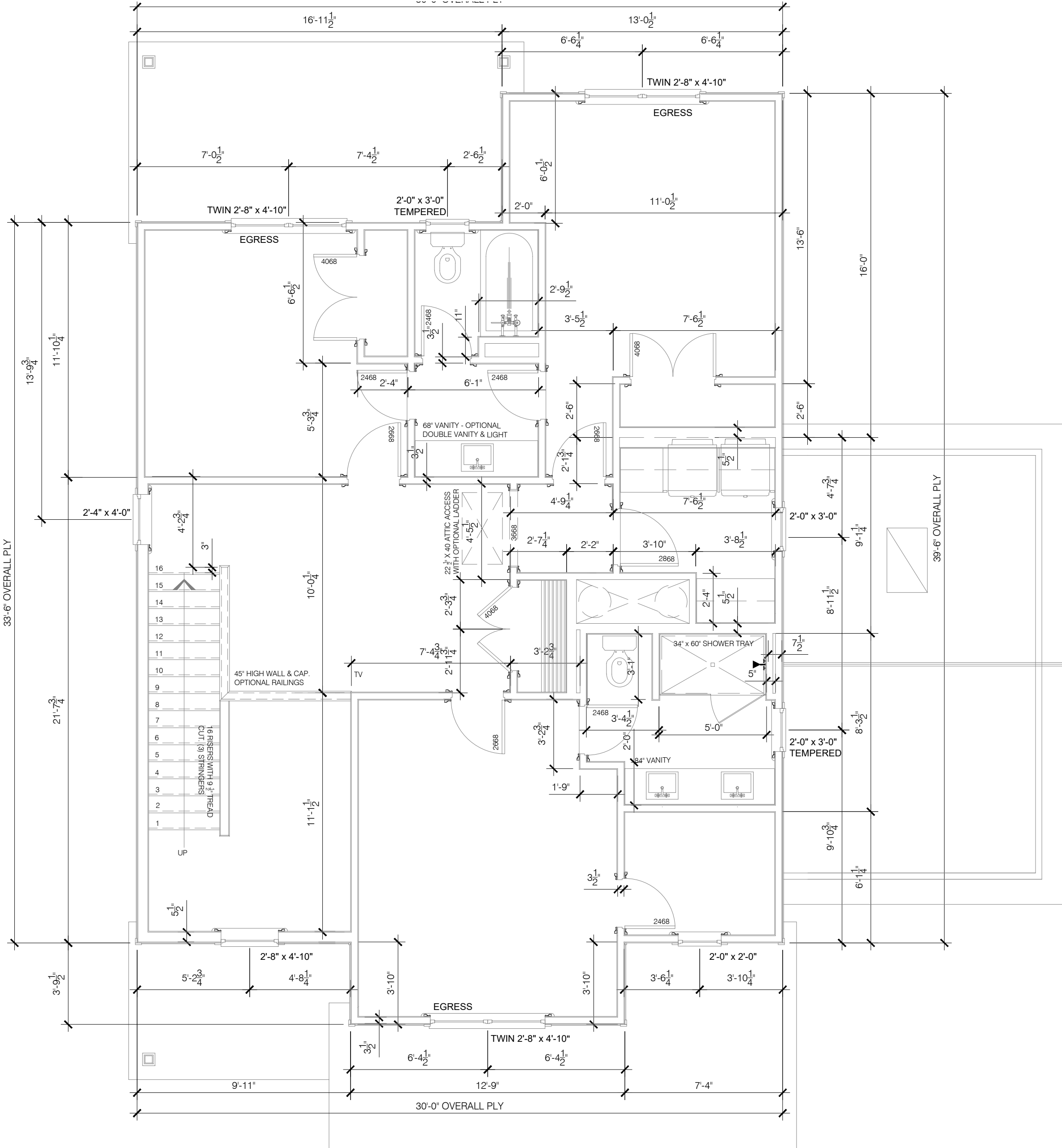
DATE: 2023-03-16
 DRAWN BY: NS
 ENGINEER: NS
 CHECKED BY: NS
 Q.C. BY: NTS
 SCALE:
 SHEET NUMBER#:
A0



NOTES:
ALL CASED OPENINGS SHOWN
ARE OPTIONAL.

NOTE:
AC RETURN VENTS SHALL NOT BE PLACED WITHIN 10'
OF AN OPEN COMBUSTION CHAMBER, A DRAFT HOOD OF
ANOTHER APPLIANCE OR WITHIN 10' OF COOKING APPLIANCES.
CODE M.1602.2 / 601.5

MAIN FLOOR PLAN - WITH OPTIONS
SCALE: 1/4" = 1'-0"



UPPER FLOOR PLAN - WITH OPTIONS
SCALE: 1/4" = 1'-0"

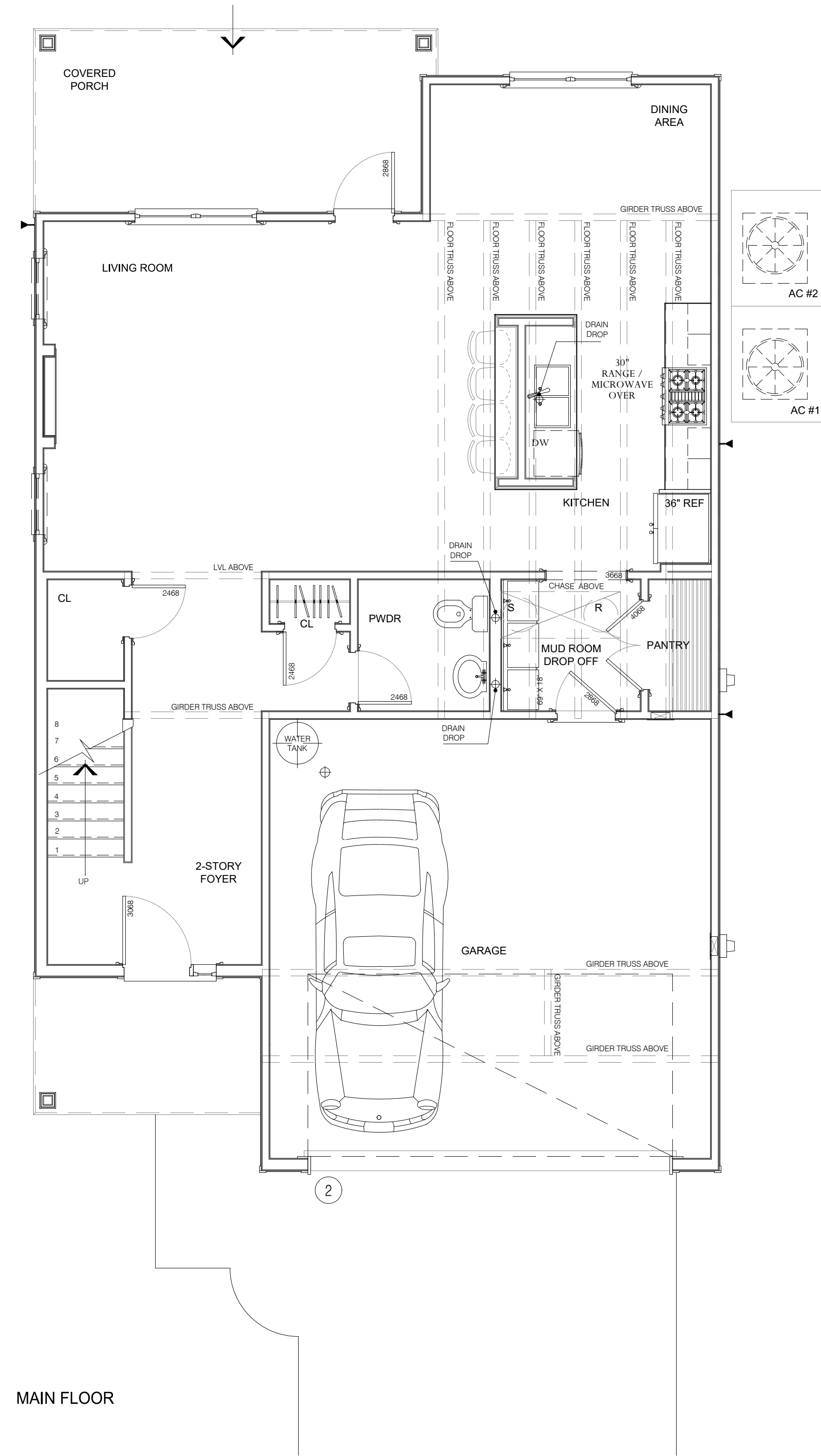
REVISIONS:
REV A: 05/04/2023. SIDE LOAD GARAGE ADJUSTED. ADDITIONAL FRONT ELEVATION WINDOWS ADDED.
REV B: 07/14/2023. LAUNDRY & UPPER FLOOR CHASE REVISED FOR AC DESIGN.
REV C: 08/11/2023. AC CHANGES UPDATED TO FIX AC DESIGN ISSUES.
REV D: 09/11/2023. KITCHEN & ISLAND REVISED.
REV E: 10/31/2023. KITCHEN & ISLAND REVISED.
REV F: 11/16/2023. KITCHEN & ISLAND REVISED.
REV G: 01/16/24. TUBS AND SHOWER FRAMING REVISED TO 60".
REV H: 02/20/24. MISSING LAUNDRY WINDOW TAG ADDED.

J.S. THOMPSON
ENGINEERING, INC.
333 E. SIX FORKS RD., SUITE 180
RALEIGH, NC 27609
PHONE: (919) 789-9919
FAX: (919) 789-9921
N.C. LICENSE NO. C-1733

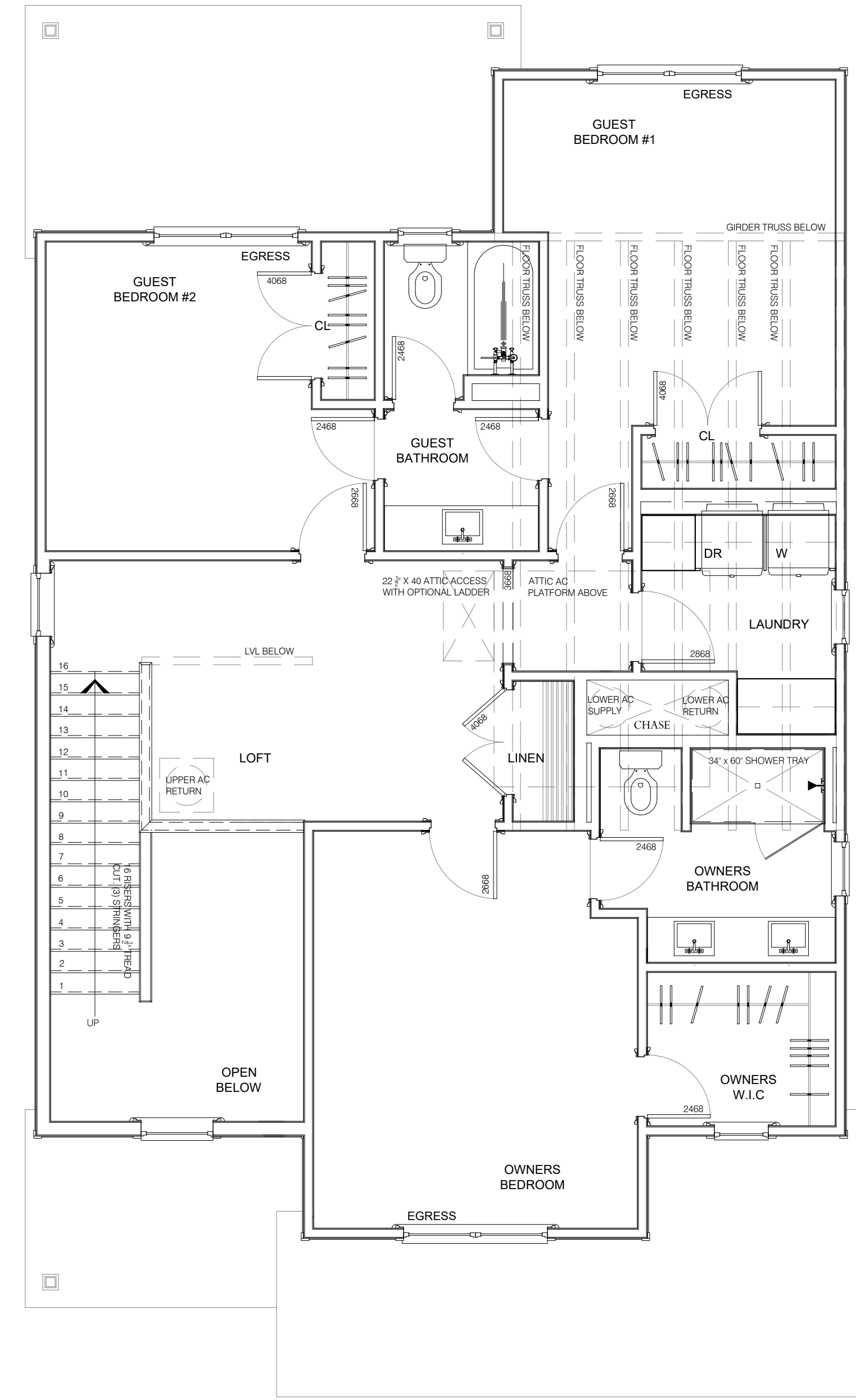
ASCOT
Land Development and Construction
(910) 688-7361 • www.ascotgrp.com

THE HAMEL
DIMENSIONED FLOOR PLANS

DATE: 2023-03-31
DRAWN BY: NS
ENGINEER: NS
CHECKED BY: NS
O.C. BY: NS
SCALE: 1/4" = 1'-0"
SHEET NUMBER:
A1.1



MAIN FLOOR



UPPER FLOOR

NOTE:
AC RETURN VENTS SHALL NOT BE PLACED WITHIN 10'
OF AN OPEN COMBUSTION CHAMBER, A DRAFT HOOD OF
ANOTHER APPLIANCE OR WITHIN 10' OF COOKING APPLIANCES.
CODE M.1602.2 / 601.5

INDICATIVE AC SUPPLY & RETURN FLOOR PLANS
SCALE: 1/4" = 1'-0"

REVISIONS:
REV A: 08/04/2023: ENTRANCE DOOR & SIDELIGHT FLURRED
REV B: 09/11/2023: AC CHASES UPDATED TO FIX AC DESIGN ISSUES
REV C: 03/11/2023: KITCHEN & ISLAND REVISED
REV D: 03/11/2023: KITCHEN & ISLAND REVISIONS FOR PERMITS
FRAMED KITCHEN ISLAND ADDED.

J.S. THOMPSON
ENGINEERING, INC.
333 E. SIX FORKS RD., SUITE 180
RALEIGH, NC 27609
PHONE: (919) 789-9919
FAX: (919) 789-9921
N.C. LICENSE NO.: C-1733

ASCOT
Land Development and Construction
(910) 688-7361 • www.ascotgrp.com

THE HAMEL
INDICATIVE AC SUPPLY & RETURN
FLOOR PLAN

DATE: 2023-07-17
DRAWN BY: JST
ENGINEER: JST
CHECKED BY: NS
Q.C. BY: NS
SCALE: 1/4" = 1'-0"
SHEET NUMBER:
A1.1a

Copyright Ascot Corporation, LLC. All Rights Reserved 2022

NOTE:
 AC RETURN VENTS SHALL NOT BE PLACED WITHIN 10'
 OF AN OPEN COMBUSTION CHAMBER, A DRAFT HOOD OF
 ANOTHER APPLIANCE OR WITHIN 10' OF COOKING APPLIANCES,
 CODE M.1602.2 / 601.5

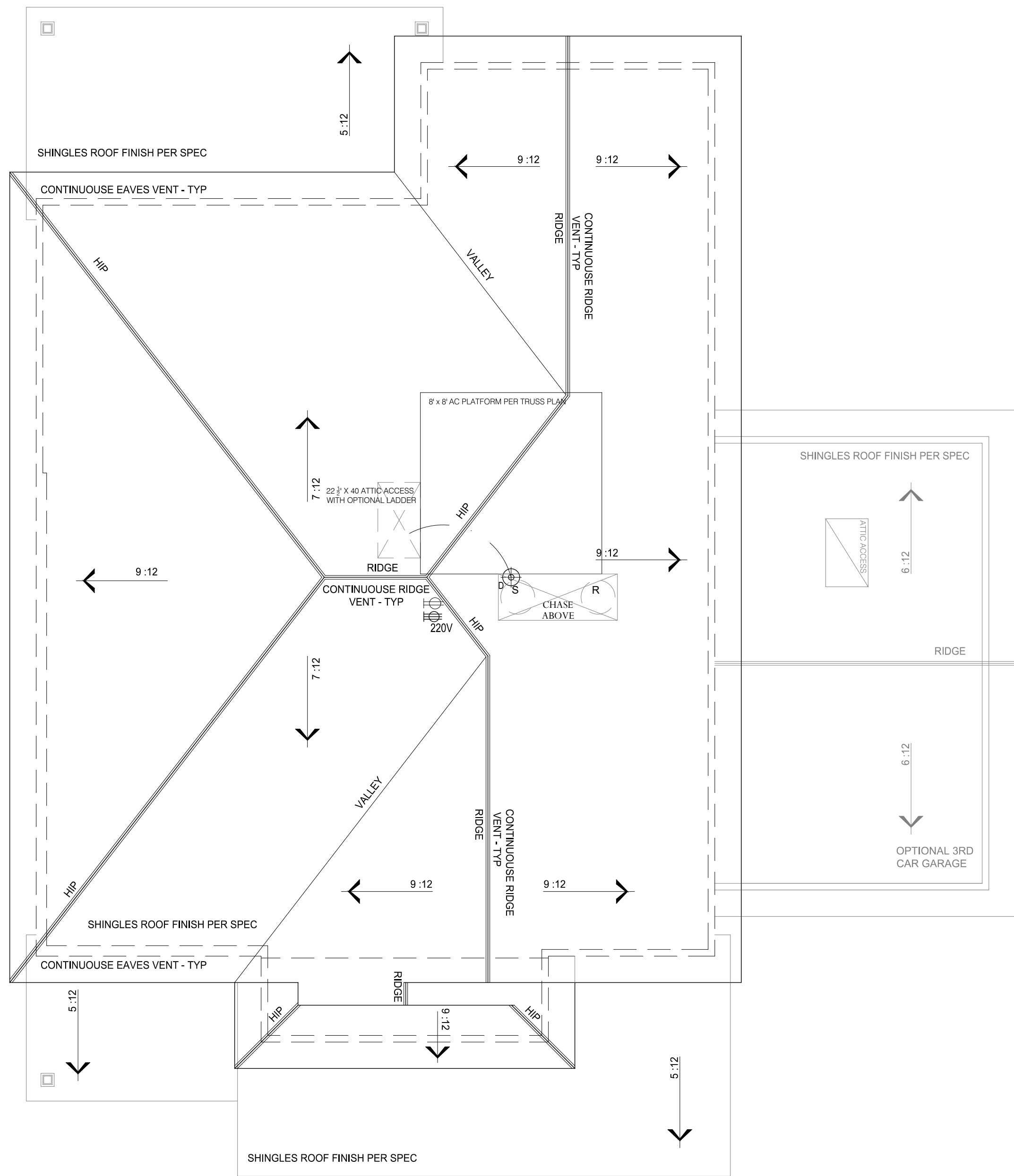
REVISIONS:
 REV A: 09.11.2023, AC CHASES UPDATED TO FIX AC DESIGN ISSUES

J.S. THOMPSON
 ENGINEERING, INC
 333 E. SIX FORKS RD., SUITE 180
 RALEIGH, NC 27609
 PHONE: (919) 789-9919
 FAX: (919) 789-9921
 N.C. LICENSE NO.: C-1733

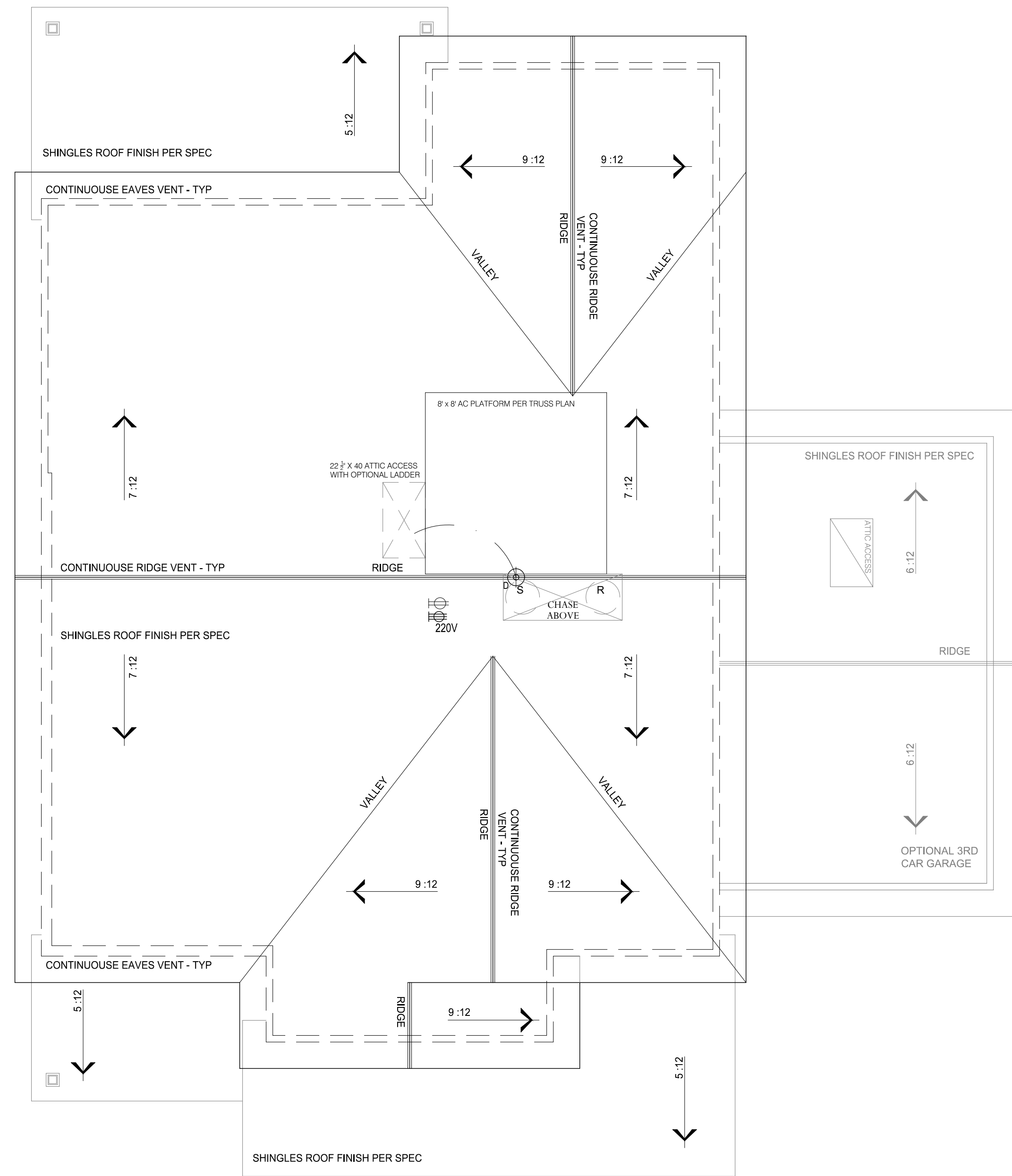
ASCOT
 Land Development and Construction
 (910) 688-7361 • www.ascotgrp.com

THE HAMEL
 ROOF PLAN

DATE: 2023-03-31
 DRAWN BY: NS
 ENGINEER: NS
 CHECKED BY: NS
 Q.C. BY: NS
 SCALE: 1/4" = 1'-0"
 SHEET NUMBER:
A1.2



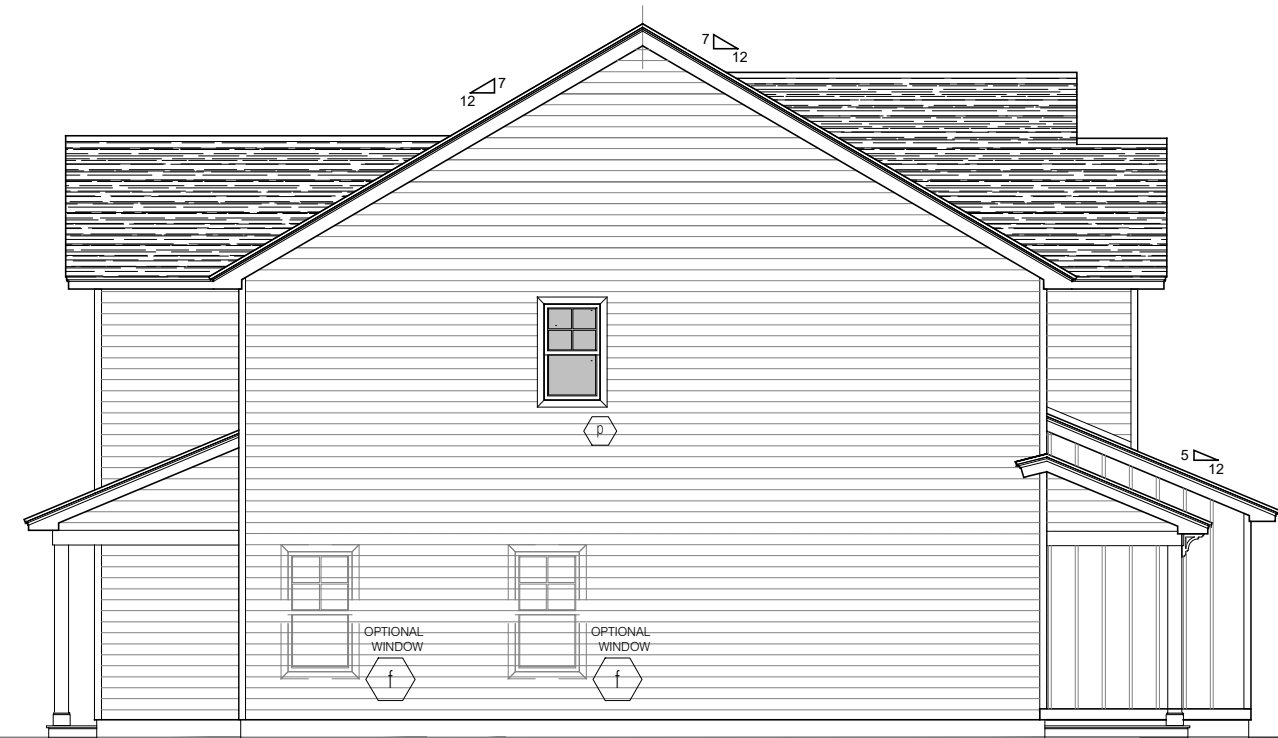
ROOF PLAN B - PER TRUSS DESIGN
 SCALE: 1/4" = 1'-0"



ROOF PLAN A - PER TRUSS DESIGN
 SCALE: 1/4" = 1'-0"



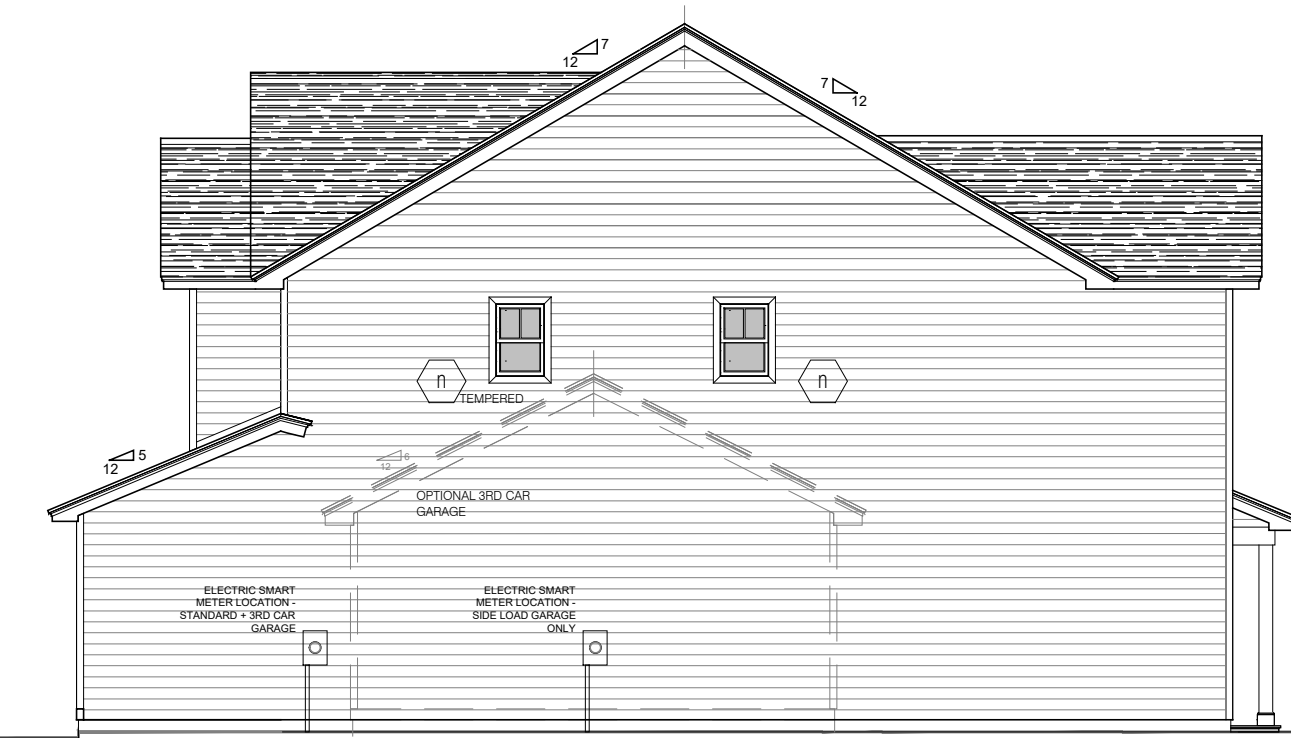
FRONT ELEVATION
SCALE: 1/4" = 1'-0"



LEFT SIDE ELEVATION
SCALE: 1/8" = 1'-0"



REAR ELEVATION
SCALE: 1/8" = 1'-0"



RIGHT SIDE ELEVATION
SCALE: 1/8" = 1'-0"

REVISIONS:
REV A: 07.14.2023. LAUNDRY WINDOW LOCATION REVISED.
REV B: 08.04.2023. ENTRANCE DOOR & SIDELIGHT FLIPPED
REV C: 09.20.24. MISSING LAUNDRY WINDOW TAG ADDED

J.S. THOMPSON
ENGINEERING, INC.
333 E. SIX FORKS RD., SUITE 180
RALEIGH, NC 27609
PHONE: (919) 789-9919
FAX: (919) 789-9921
N.C. LICENSE NO. C-1733

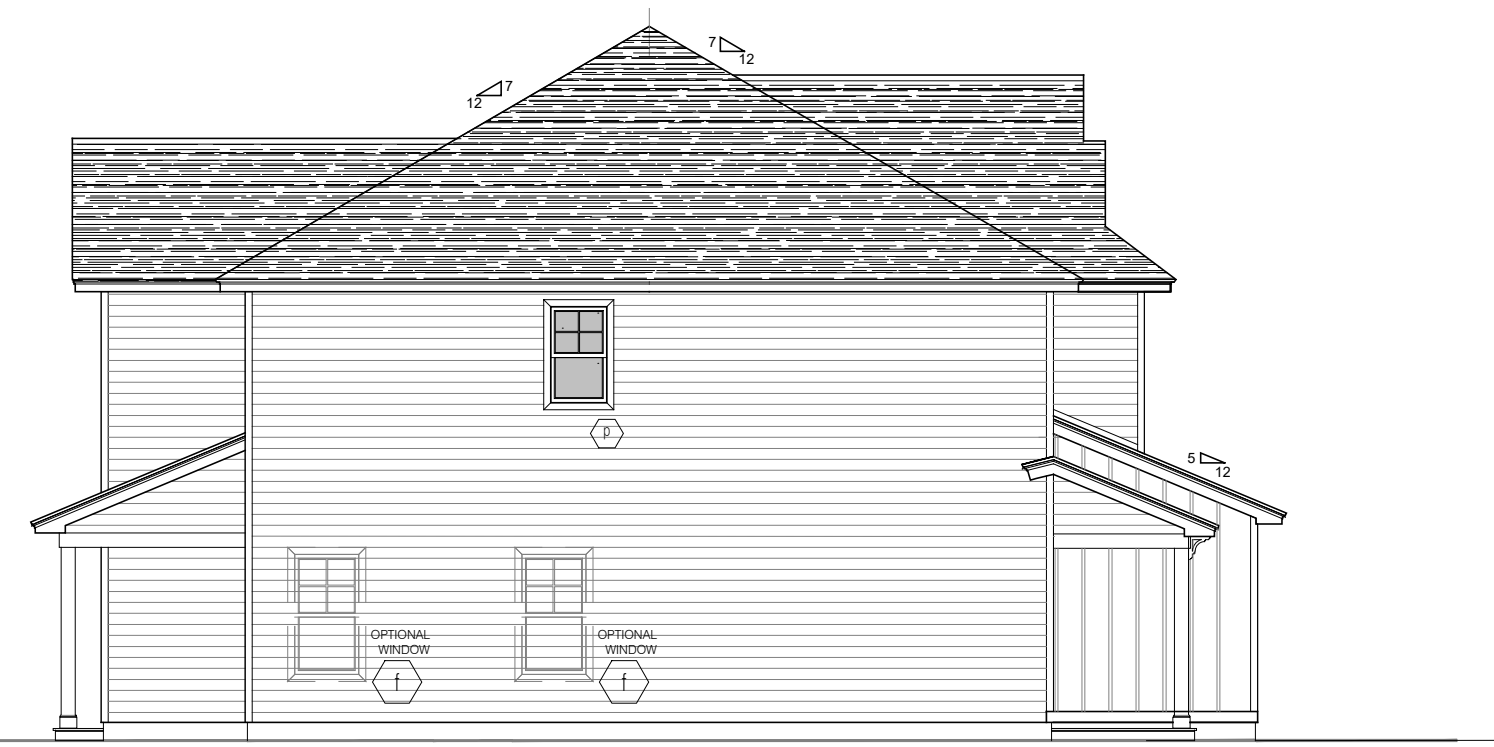
ASCOT
Land Development and Construction
(910) 688-7361 • www.ascotgrp.com

THE HAMEL
ALL EXTERNAL ELEVATIONS

DATE: 2023-03-30
DRAWN BY: NS
ENGINEER: NS
CHECKED BY: NS
Q.C. BY: NS
SCALE: AS SHOWN
SHEET NUMBER:
A2



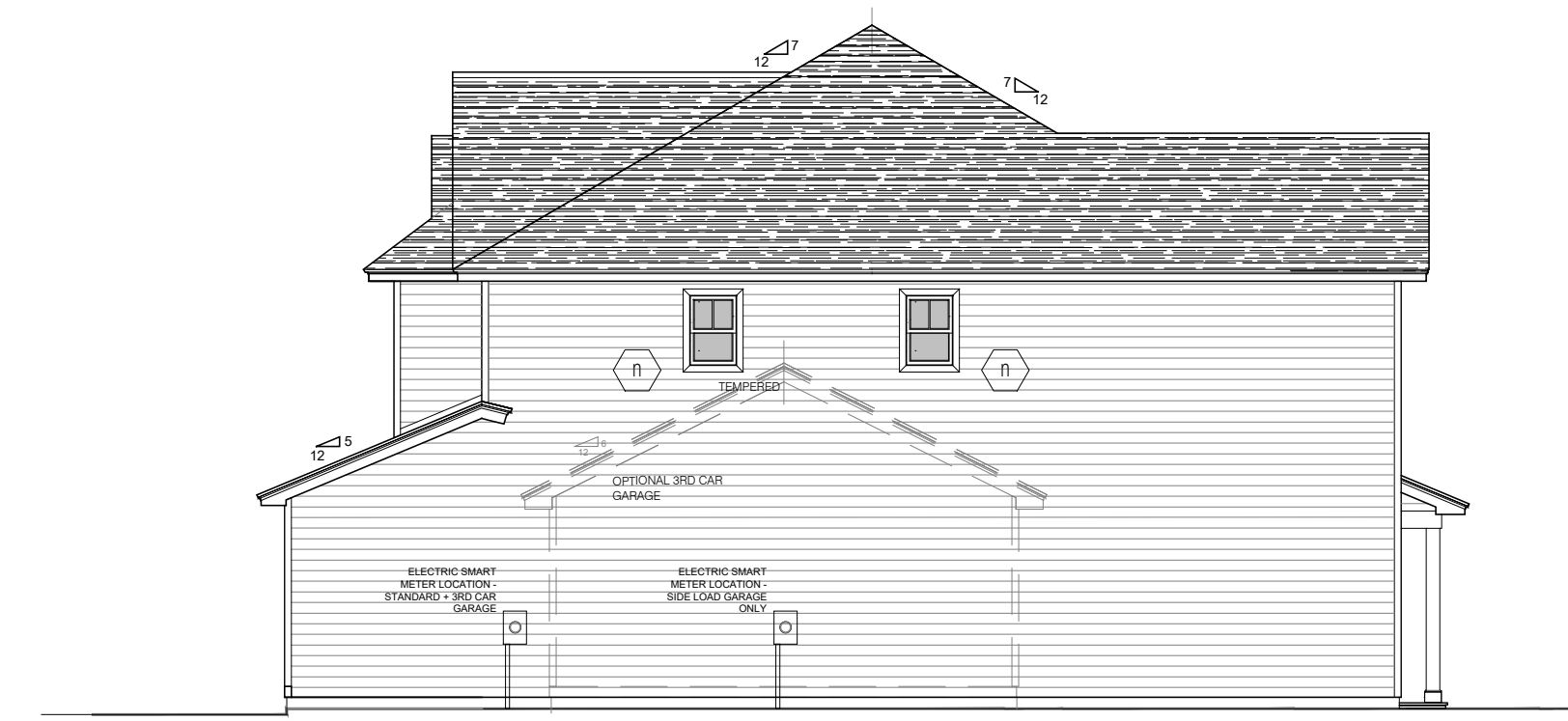
FRONT ELEVATION
SCALE: 1/4" = 1'-0"



LEFT SIDE ELEVATION
SCALE: 1/8" = 1'-0"



REAR ELEVATION
SCALE: 1/8" = 1'-0"



RIGHT SIDE ELEVATION
SCALE: 1/8" = 1'-0"

REVISIONS:
REV A: 07.14.2023. LAUNDRY WINDOW LOCATION REVISED.
REV B: 08.04.2023. ENTRANCE DOOR & SIDELIGHT FLIPPED
REV C: 09.20.24. MISSING LAUNDRY WINDOW TAG ADDED

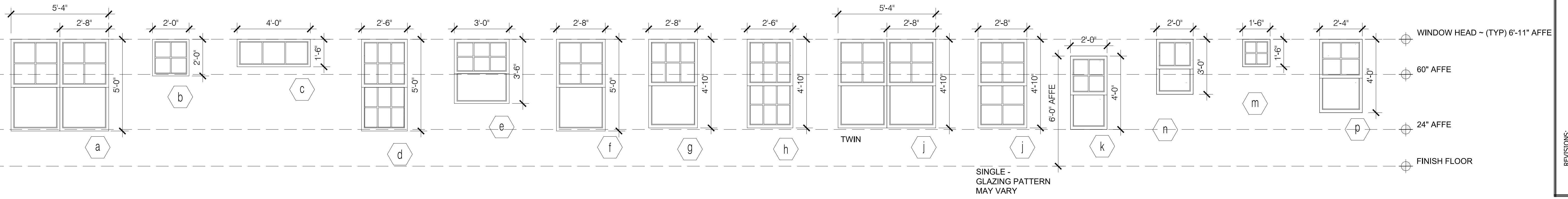
J.S. THOMPSON
ENGINEERING, INC.
333 E. SIX FORKS RD, SUITE 180
RALEIGH, NC 27609
PHONE: (919) 789-9919
FAX: (919) 789-9921
N.C. LICENSE NO. C-1733

ASCOT
Land Development and Construction
(910) 688-7361 • www.ascotgrp.com

THE HAMEL
ALL EXTERNAL B ELEVATIONS

DATE: 2023-08-04
DRAWN BY: NS
ENGINEER: NS
CHECKED BY: NS
Q.C. BY: NS
SCALE: AS SHOWN
SHEET NUMBER:
A2.1

Copyright Ascot Corporation, LLC. All Rights Reserved 2022



WINDOW & DOOR GLAZING PATTERNS, CODE NOTES
SCALE: 3/8" = 1'-0"

NOTES:
GLAZING IN WET AREAS WHEN A BATH TUB OR SHOWER IS INSTALLED SHALL BE TEMPERED GLASS WHEN THE BOTTOM EXPOSED EDGE OF THE GLAZING IS LESS THAN 60" MEASURED VERTICALLY ABOVE THE FINISHED FLOOR ELEVATION - PER CODE: R308.4.5.

WHERE THE BOTTOM EXPOSED EDGE OF THE GLAZING IS BELOW 24" MEASURED VERTICALLY ABOVE THE FINISHED FLOOR ELEVATION TEMPERED GLASS SHALL COMPLY WITH EITHER - PREVENTATIVE FALL DEVICES SHALL BE INSTALLED OR THE WINDOW OPENING SHALL BE RESTRICTED TO A 4" OPENING DIMENSION NOT ALLOWING A 4" SPHERE TO PASS, PER CODE: R312.2.1.

GLAZING WHERE THE BOTTOM EXPOSED EDGE OF THE GLAZING IS LESS THAN 36" ABOVE THE PLANE OF AN ADJACENT WALKING SURFACE OF STAIRWAYS, LANDING, BETWEEN FLIGHTS AND RAMP SHALL BE CONSIDERED A HAZARDOUS LOCATION, PER CODE: R308.4.6

WHERE GLAZING IS WITHIN 24" OF EITHER SIDE OF A DOOR IN A CLOSED POSITION SHALL BE CONSIDERED A HAZARDOUS LOCATION, PER CODE: R308.4.2

GLAZING ADJACENT TO A LANDING AT THE BOTTOM OF A STAIRWAY WHERE GLAZING IS LESS THAN 36" ABOVE THE LANDING AND WITHIN 60" HORIZONTAL ARC LESS THAN 180 DEGREES FROM THE BOTTOM STAIR NOSING IS CONSIDERED A HAZARDOUS LOCATION, PER CODE: 308.4.7

GENERAL NOTES:

- ALL WINDOWS SHALL BE IN DOUBLE GLAZED INSULATED LOW 'E' GLAZING
- ALL HARDWARE TO BE PER CLIENT/ASCOT CORPORATION SELECTIONS
- DETAIL SHOP DRAWINGS FOR ALL WINDOW TYPES SHALL BE APPROVED
- ALL PROFILES TO BE APPROVED BY ASCOT CORPORATION
- WINDOW DIMENSIONS AND GLAZING PATTERN ARE PER NOMINATED VINYL SIZE DOCUMENTATION COLORED VINYL SINGLE HUNG TILT & SLIDE & FIXED WINDOWS
- WINDOWS NOTED AS EGRESS SHALL COMPLY WITH THE RELEVANT BUILDING CODE REFERENCE. ALL WINDOWS SILLS LOWER THAN 24" ABOVE FINISHED FLOOR ELEVATIONS SHALL BE PROVIDED WITH FALL PREVENTATIVE DEVICES OR RESTRICTED TO ONLY ALLOW A 4" DIAMETER SPHERE TO PASS. NO WINDOW SILL SHALL BE HIGHER THAN 72" ABOVE ADJACENT GRADE.
- EGRESS WINDOWS SHALL HAVE A NET OPENING AREA OF NOT LESS THAN 5.0 SQFT (20 X 24) - (NORTH CAROLINA) FOR GRADE FLOOR EGRESS OR 5.7 SQFT TO UPPER EGRESS FLOORS. NO WINDOW SILL SHALL BE HIGHER THAN 44" ABOVE FINISHED FLOOR ELEVATION OR BELOW A MIN OF 24 ABOVE THE FINISHED FLOOR.
- CONTRACTOR/ASCOT CORPORATIONS SUPERINTENDENT SHALL VERIFY ALL MASONRY & FRAME OPENINGS BUILT ON SITE PRIOR TO WINDOW INSTALLATION.
- TEMPERED GLAZING SHALL BE PROVIDED AND INSTALLED WITH CRITICAL HAZARDOUS LOCATIONS PER LOCAL AND STATE CODES, AND AS NOTED ON PLANS AND ELEVATIONS HEREIN, UNLESS OTHERWISE AGREED WITH CODE OFFICIALS.
- GLAZING IN WET AREAS WHEN A BATH TUB OR SHOWER IS INSTALLED SHALL BE TEMPERED GLASS WHEN THE BOTTOM EDGE OF THE GLAZING IS LESS THAN 60" MEASURED VERTICALLY ABOVE THE FINISHED FLOOR ELEVATION - PER CODE: R308.4.5

GENERAL NOTES
SCALE: NTS

EXTERNAL DOOR SCHEDULE		
MARK	SIZE (WxH)	LOCATION
1	3'-0" X 6'-8"	FRONT ENTRANCE - TEMPERED GLASS
1a	*1'-0" X 6'-8"	OPTIONAL FRONT ENTRANCE SIDELIGHT- TEMPERED GLASS
2	16'-0" X 8'-0"	GARAGE DOOR WITH OPTIONAL GLAZING PANELS. *RE-USE FOR SIDE LOAD
3	3'-0" X 6'-8"	REAR PORCH - TEMPERED GLASS
4	*9'-0" X 8'-0"	*OPTIONAL 3RD CAR GARAGE DOOR WITH OPTIONAL GLAZING PANELS
5	3'-0" X 6'-8"	*OPTIONAL 3RD CAR GARAGE DOOR

INTERNAL DOOR SCHEDULE			
SIZE	QUANTITY	DOOR TYPE	NOTES
2'-4" X 6'-8"	8	SINGLE	POWDER, CLOSETS, GUEST BATH, OWNERS W.I.C
2'-6" X 6'-8"	3	SINGLE	GUEST BEDROOMS
2'-8" X 6'-8"	2	SINGLE	GARAGE FIRE DOOR - 20 MINUTE MIN, LAUNDRY
4'-0" X 6'-8"	4 DOOR SETS	BI-SWING PAIRS	BEDROOM CLOSETS, PANTRY, LINEN

WINDOW SCHEDULE					
MARK	RO SIZE (WxH)	WINDOW TYPE	LOCATION	QUANTITIES	NOTES
a	(TWIN)2'-8" X 5'-0"	SINGLE HUNG	LIVING ROOM, DINING ROOM	2	
b	2'-0" X 2'-0"	PICTURE	OWNERS W.I.C	1	
c	NOT USED				
d	NOT USED				
e	NOT USED				
f	*2'-8" X 5'-0"	SINGLE HUNG	*LIVING ROOM & GARAGE	4	*OPTIONAL WINDOWS TO LIVING ROOM & SIDE LOAD GARAGE OPTION
g	NOT USED				
h	NOT USED				
j	2'-8" X 4'-10"	SINGLE HUNG	ALL BEDROOMS, LOFT, 2-STORY FOYER	4 (3)TWINS, (1) SINGLE	(3) EGRESS TO BEDROOMS
k	NOT USED				
m	NOT USED				
n	2'-0" X 3'-0"	SINGLE HUNG	OWNERS BATHROOM, GUEST BATHROOM, LAUNDRY	3	(2) TEMPERED GLASS
p	2'-4" X 4'-0"	SINGLE HUNG	LOFT	1	

SCHEDULES
SCALE: NTS

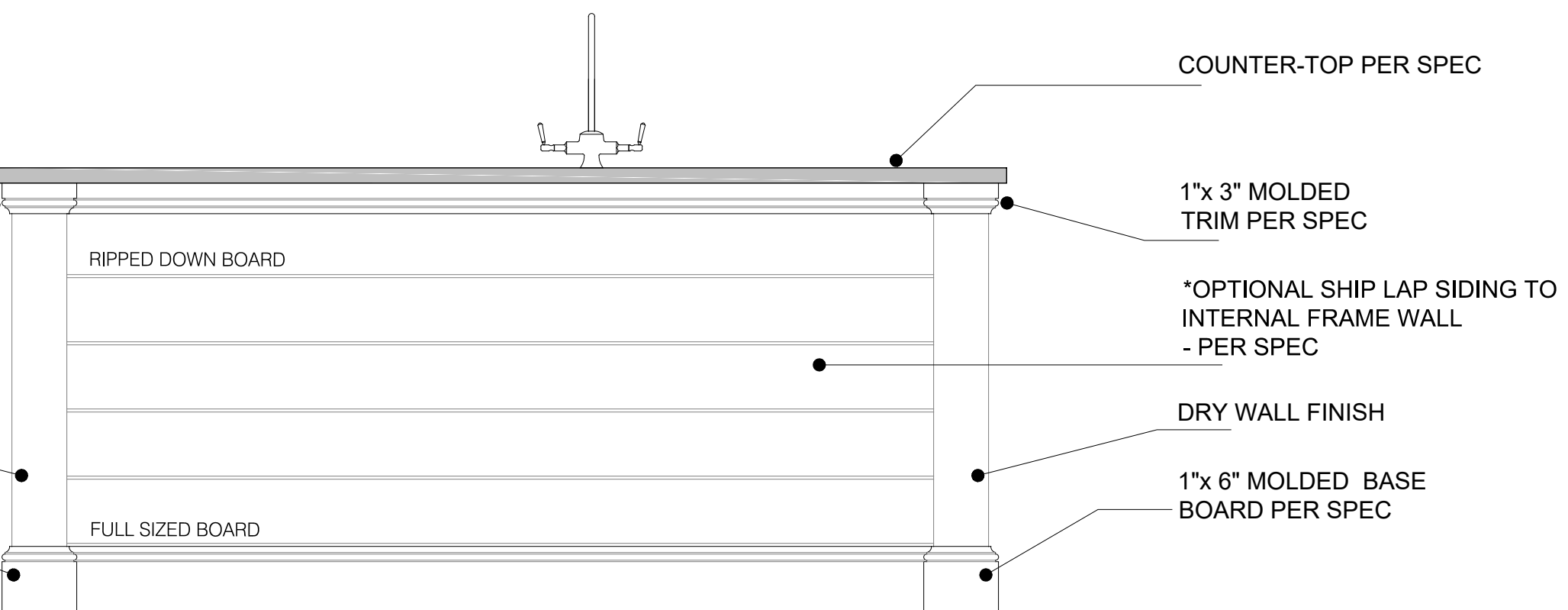
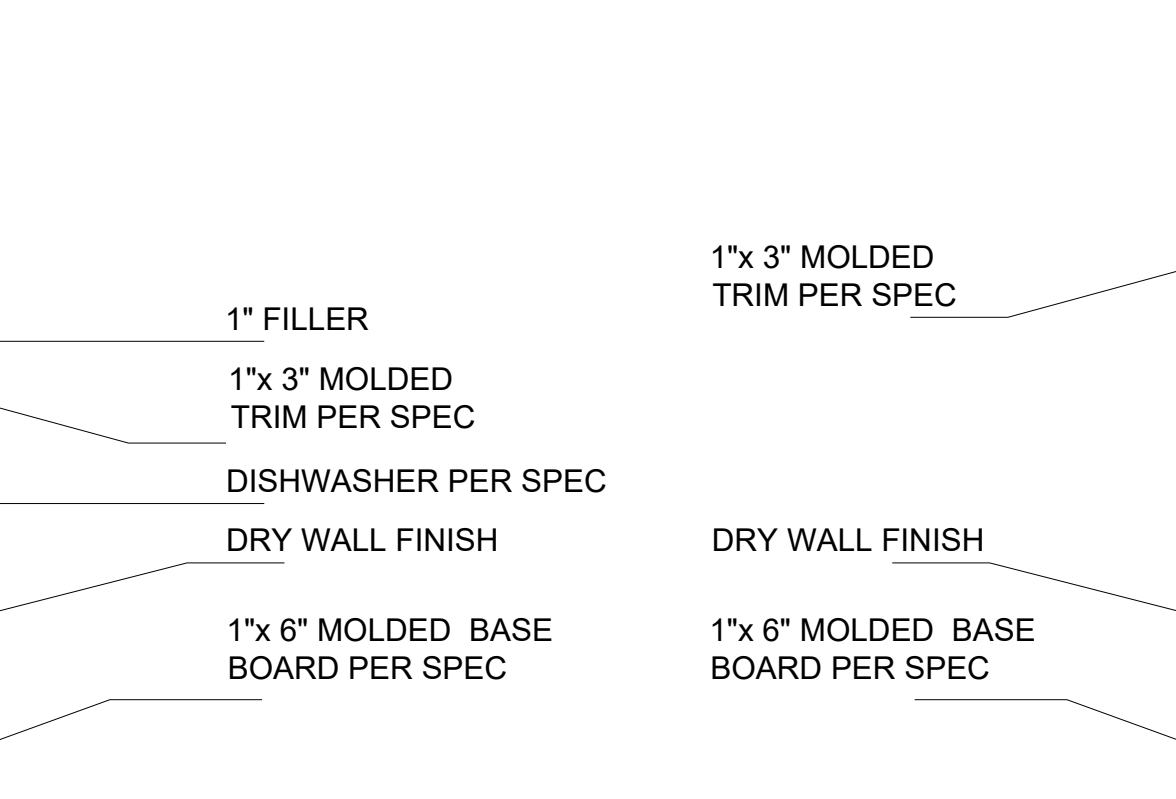
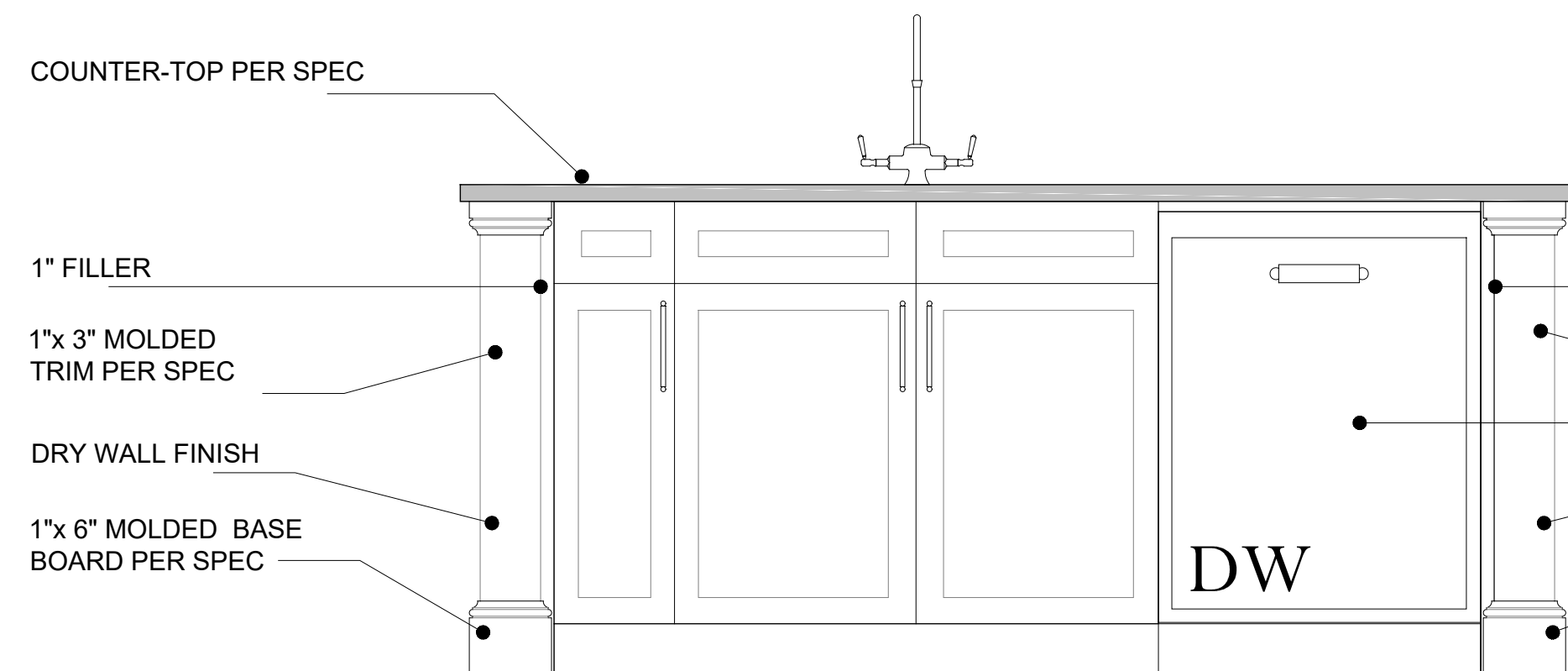
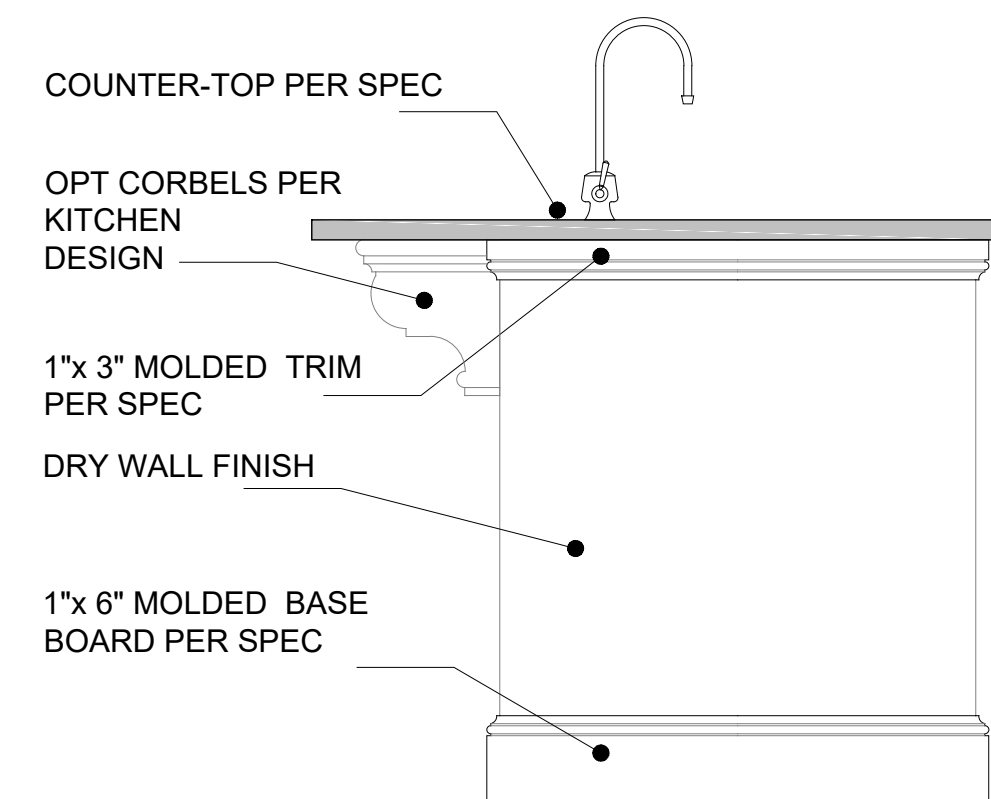
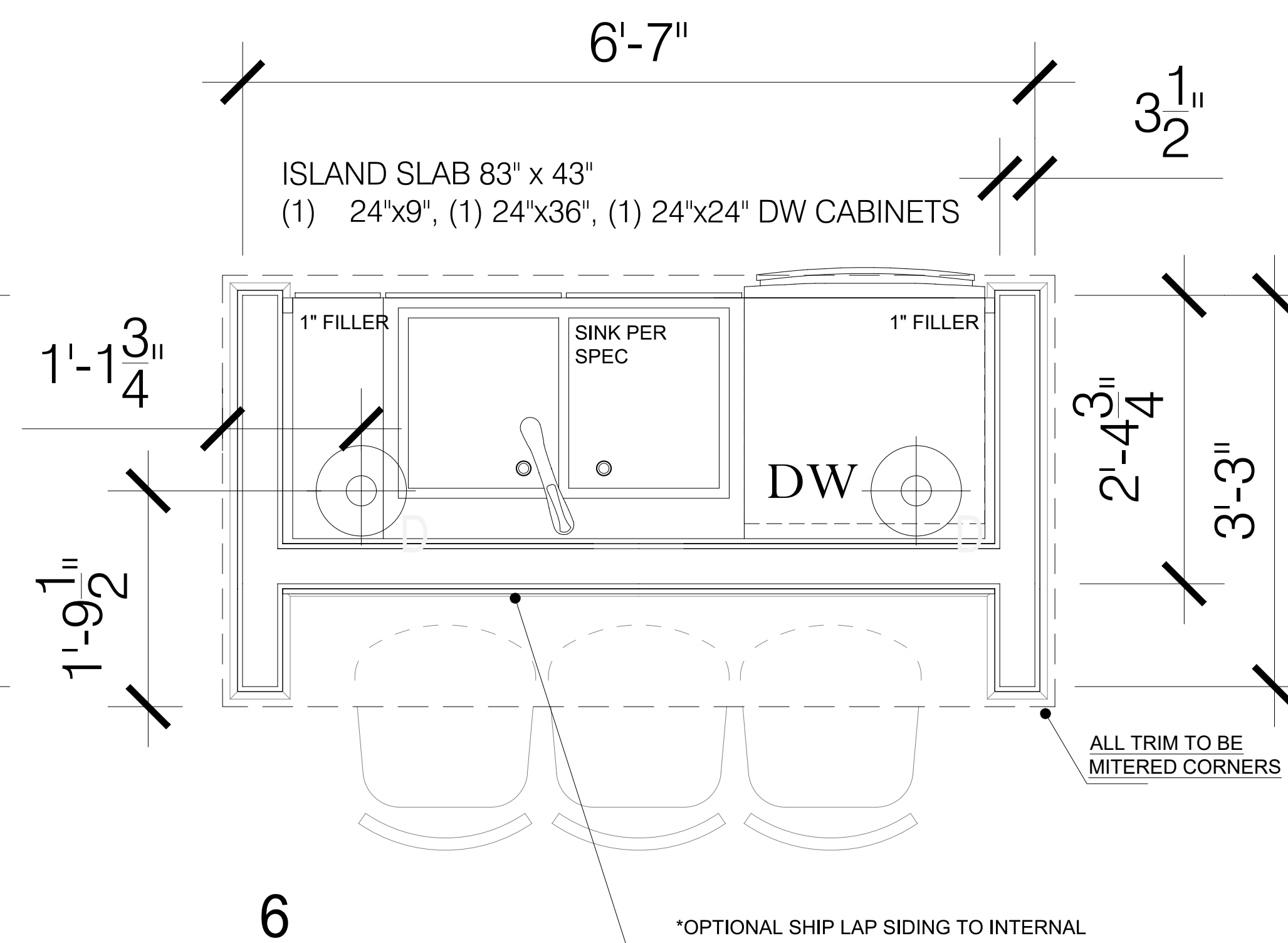
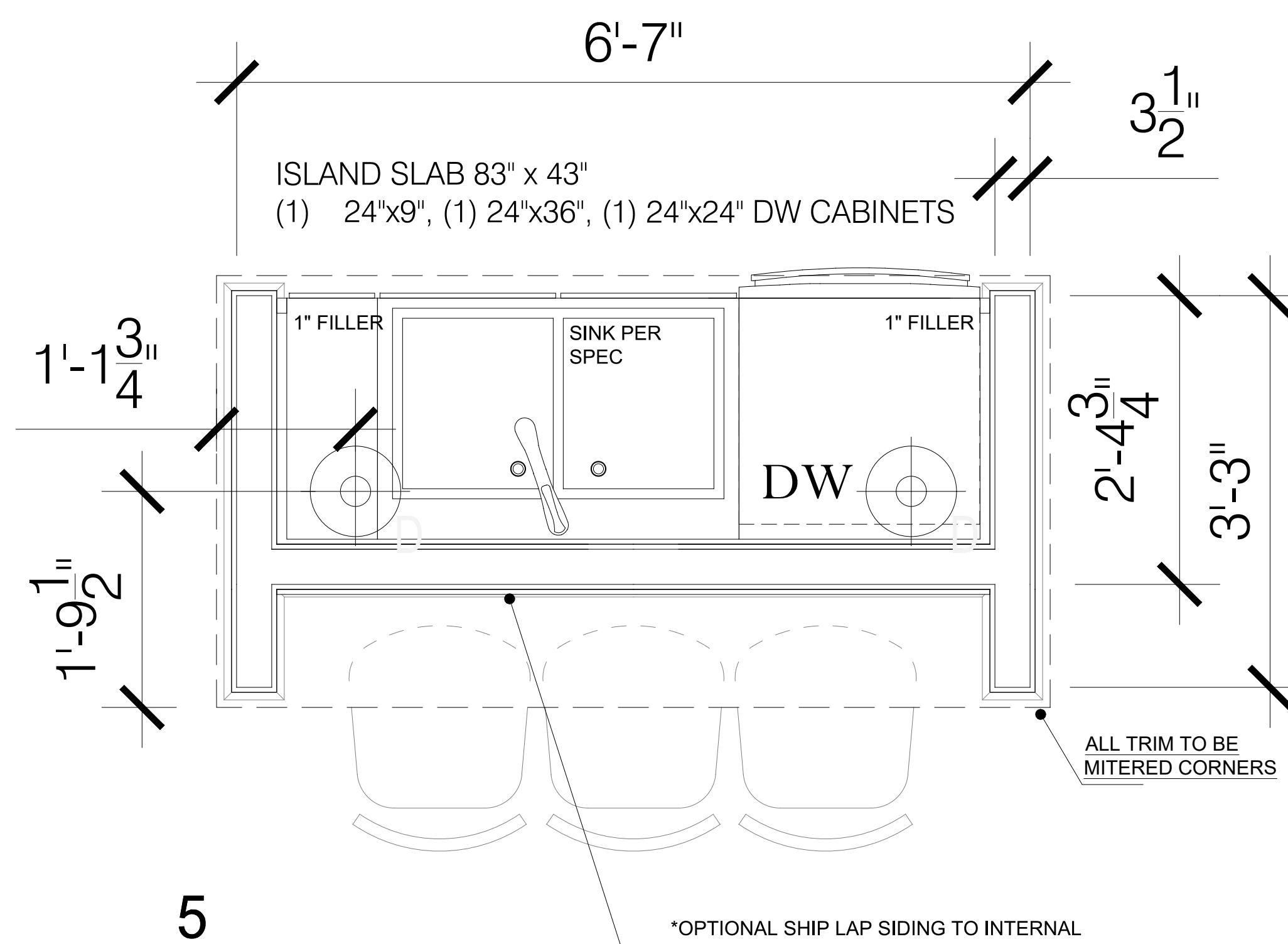
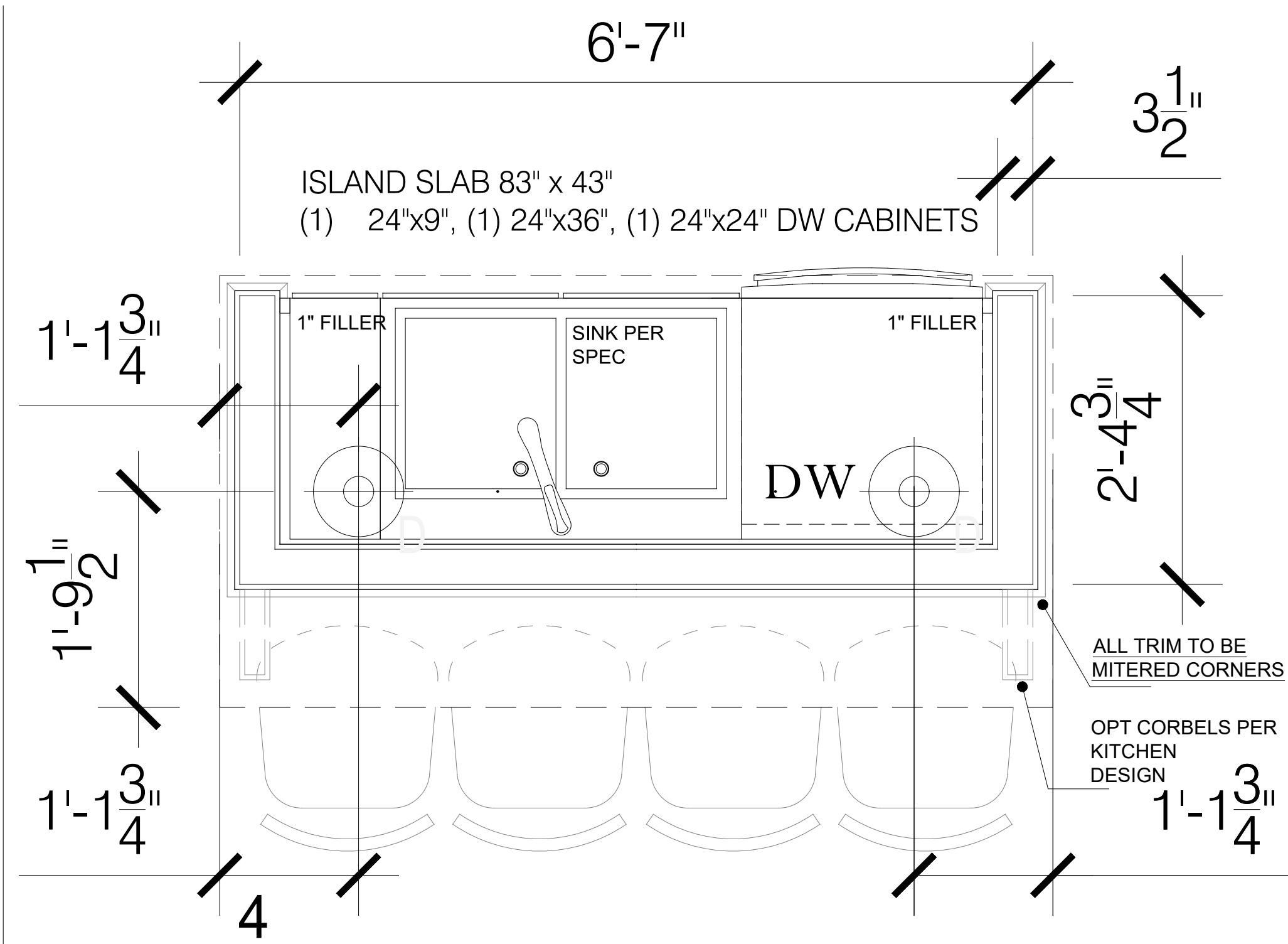
REVISIONS:
REV A: 05.04.2023. SIDE LOAD GARAGE ADJUSTED, ADDITIONAL FRONT ELEVATION WINDOWS ADDED
REV B: 07.14.2023. LINEN DOOR UPDATED TO BI-SWING

J.S. THOMPSON
ENGINEERING, INC.
333 E. SIX FORKS RD, SUITE 180
RALEIGH, NC 27609
PHONE: (919) 789-9919
FAX: (919) 789-9921
N.C. LICENSE NO. C-1733

ASCOT
Land Development and Construction
(910) 688-7361 • www.ascotgrp.com

THE HAMEL
WINDOW & DOOR SCHEDULES

DATE: 2023-03-30
DRAWN BY: NS
ENGINEER: NS
CHECKED BY: NS
Q.C. BY: NTS
SCALE: NTS
SHEET NUMBER#: **A4**

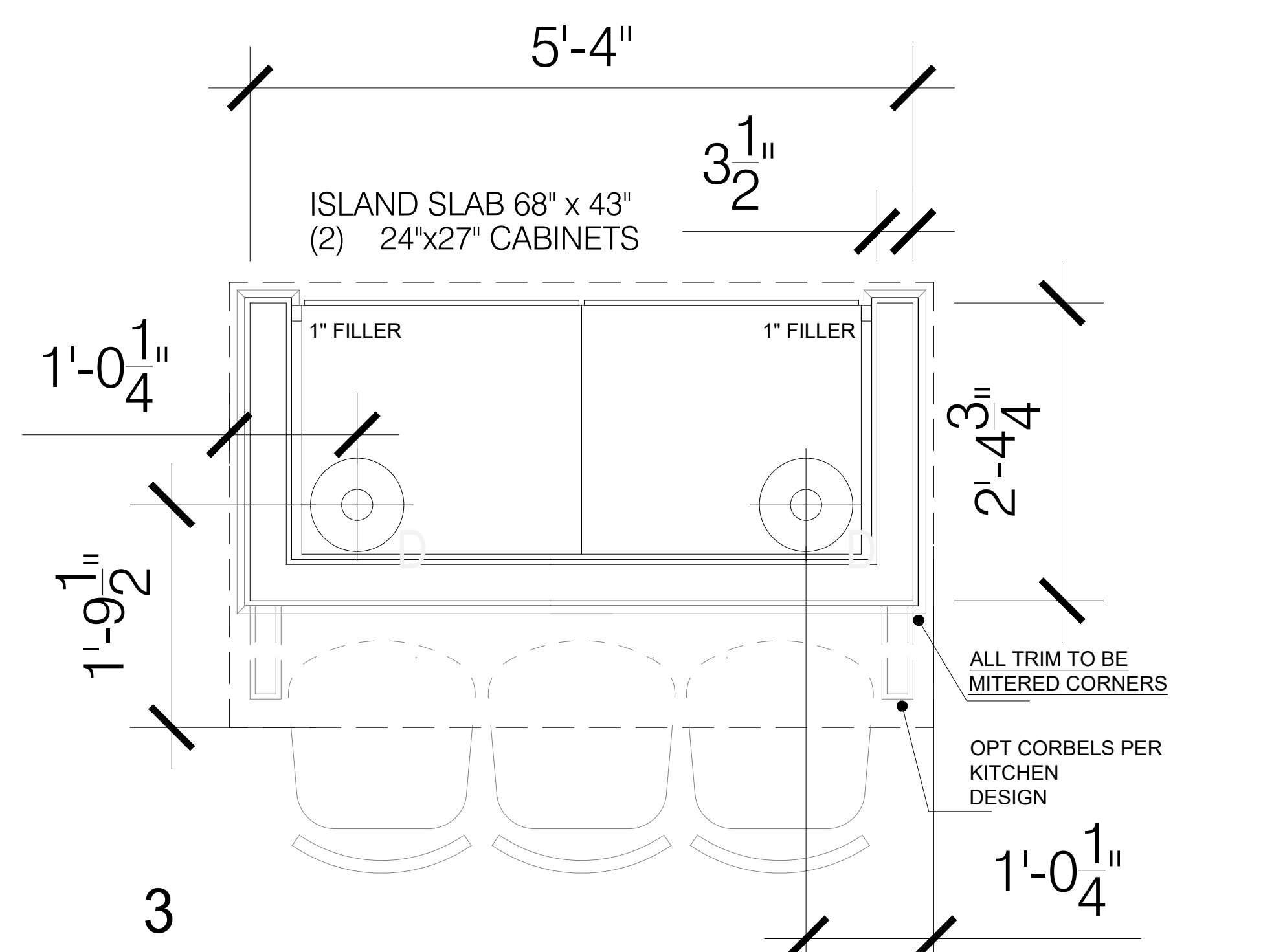
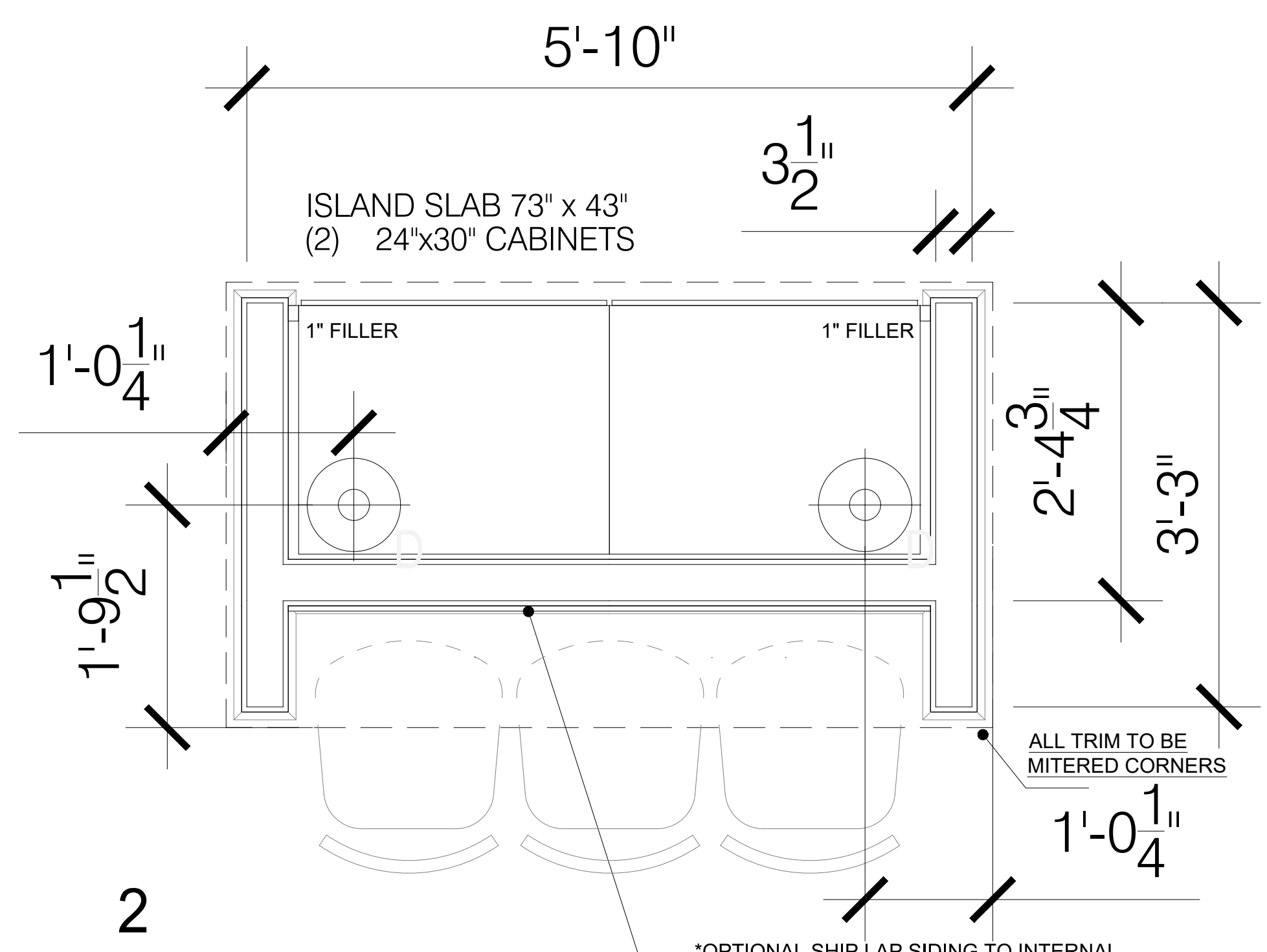
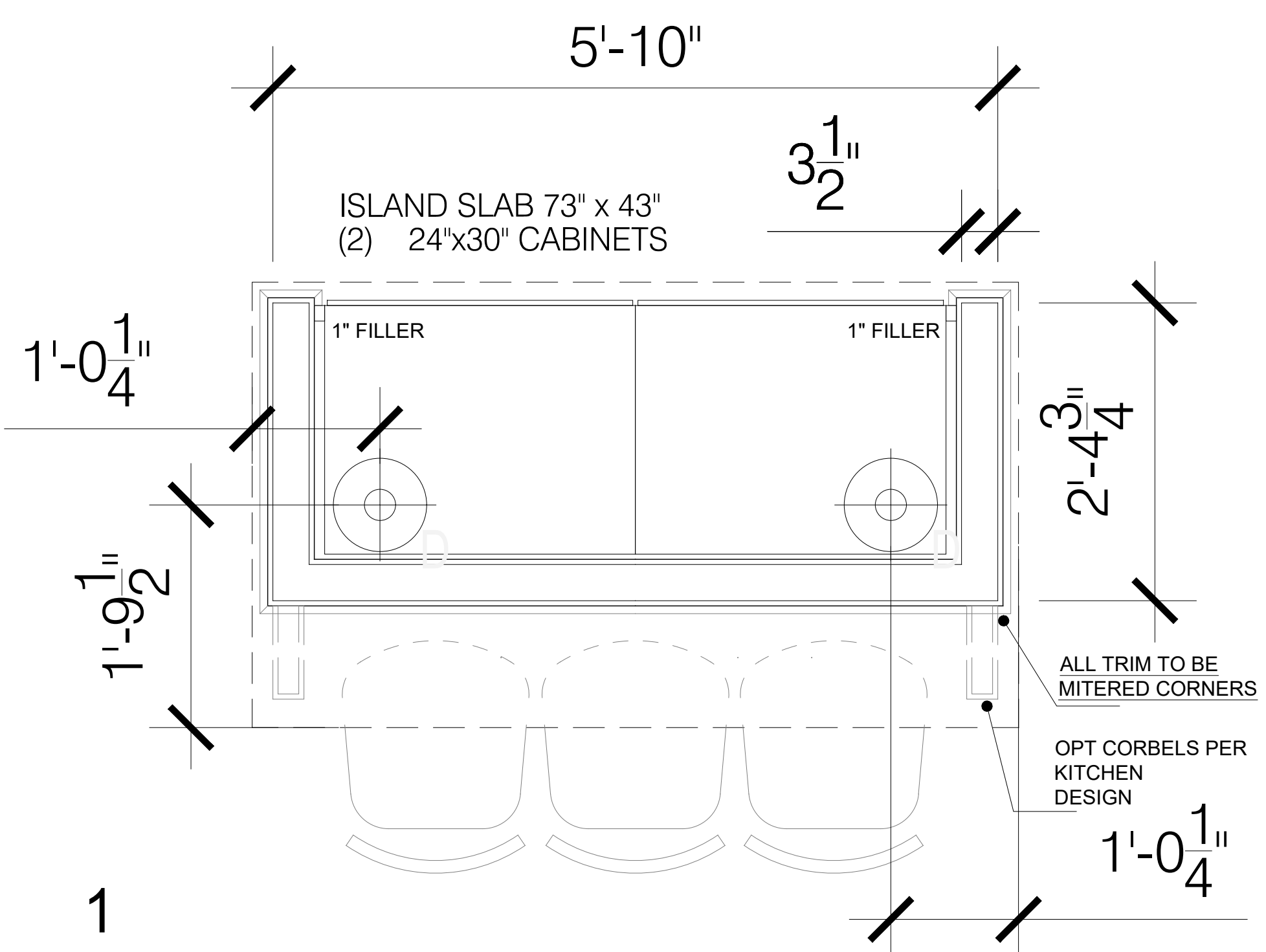


TYP. ISLAND SIDE WALL

TYP. ISLAND SINK-SIDE WALL

TYP. ISLAND BAR STOOL SIDE WALL

FRAMED KITCHEN ISLAND - TYP ELEVATIONS
SCALE: 1" = 1'-0"



FRAMED KITCHEN ISLAND DESIGN OPTIONS
SCALE: 1" = 1'-0"

REVISIONS:

J.S. THOMPSON
ENGINEERING, INC.
333 E. SIX FORKS RD., SUITE 180
RALEIGH, NC 27609
PHONE: (919) 789-9919
FAX: (919) 789-9921
N.C. LICENSE NO.: C-1733

ASCOT
Land Development and Construction
(910) 688-7361 • www.ascotgrp.com

Copyright Ascot Corporation, LLC. All Rights Reserved 2022.

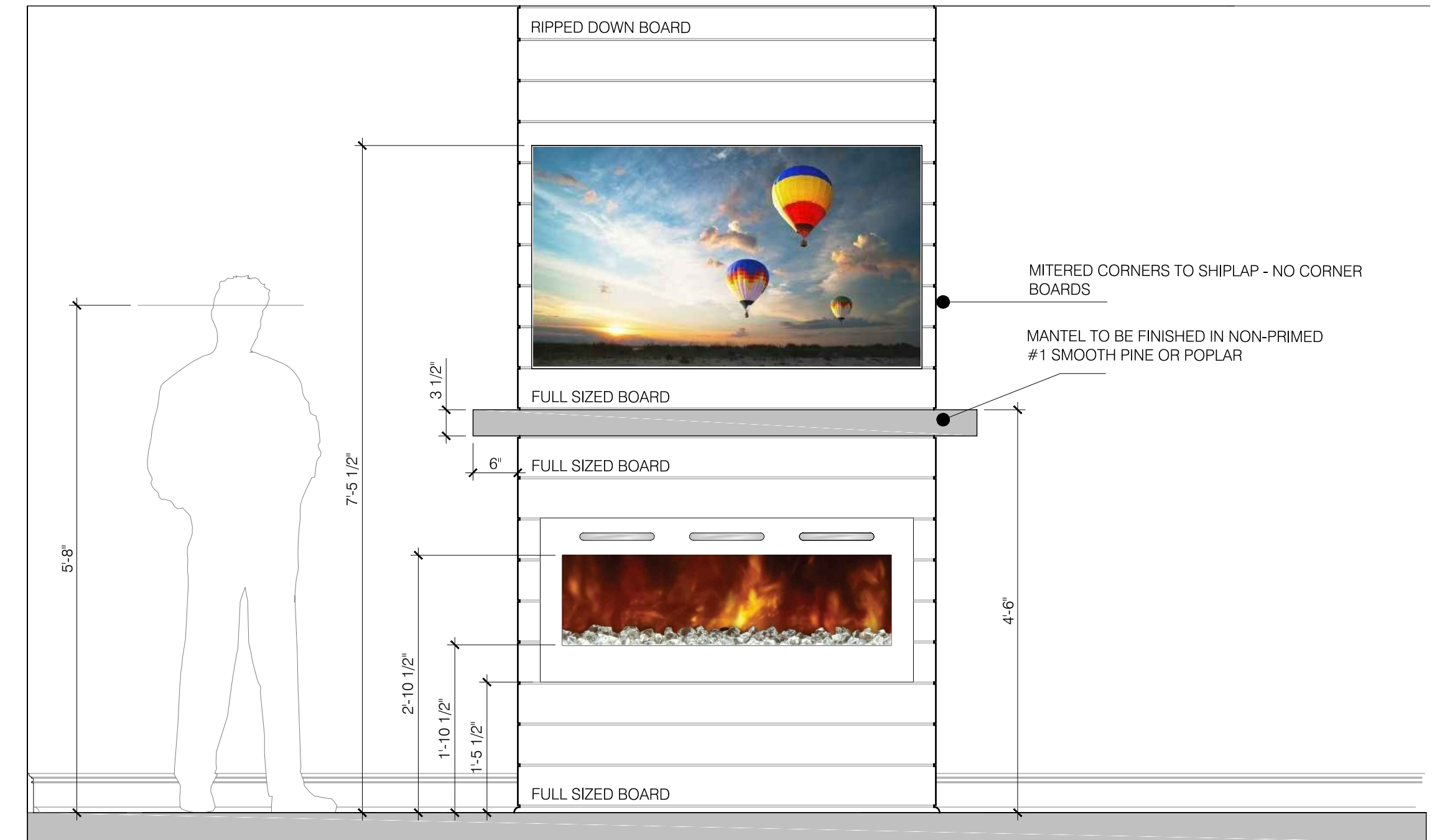
THE HAMEL
FRAMED KITCHEN ISLAND
DESIGN OPTIONS

DATE: 2024-01-01
DRAWN BY: [blank]
ENGINEER: [blank]
CHECKED BY: [blank]
Q.C. BY: [blank]
SCALE: AS SHOWN

SHEET NUMBER:
FR.8



AS-BUILT MANTEL
SCALE: NTS



REVISIONS:

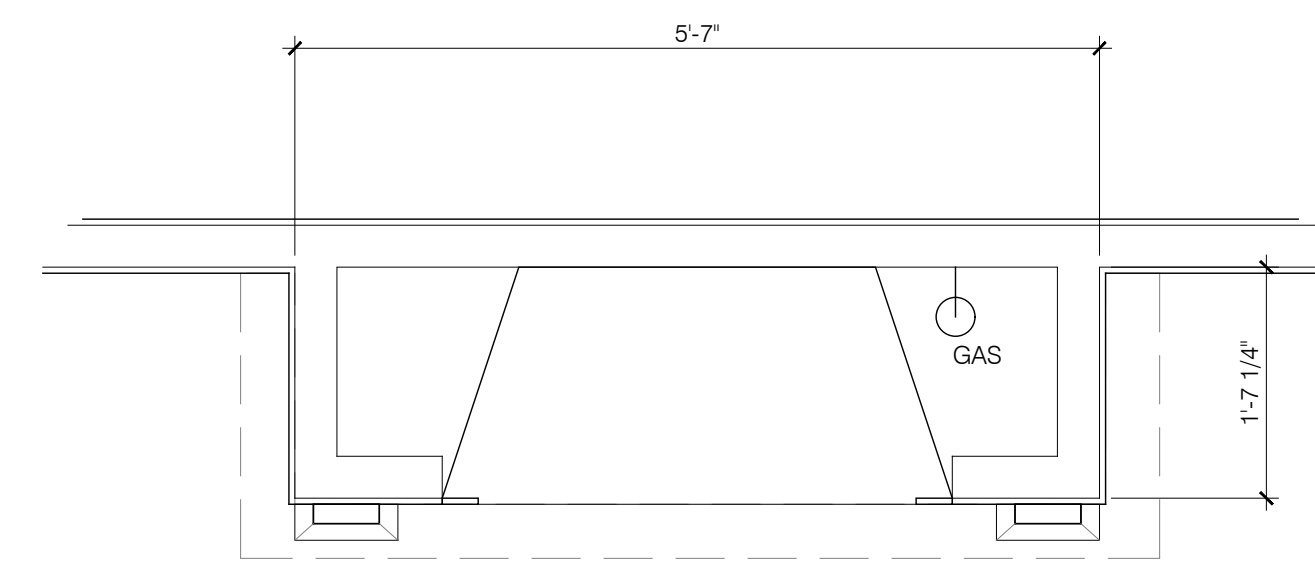
J.S. THOMPSON
ENGINEERING, INC.
333 E. SIX FORKS RD., SUITE 180
RALEIGH, NC 27609
PHONE: (919) 789-9919
FAX: (919) 789-9921
N.C. LICENSE NO.: C-1733

ASCOT
Land Development and Construction
(910) 688-7361 • www.ascotgrp.com

THE HAMEL
ELECTRIC & GAS FIREPLACES
MANTEL DETAILS

DATE: 2023-09-01
DRAWN BY: JST
ENGINEERED BY: NS
CHECKED BY: NS
Q.C. BY: NS
SCALE: 1/4" = 1'-0"
SHEET NUMBER: AD.3

Copyright Ascot Corporation, LLC. All Rights Reserved 2023.



GAS FIREPLACE AND SURROUND
EXACTA 36 VENT FREE
FIREBOX - BUF36

OPTION SELECTION #2: GAS FIRE AND FIRE SURROUND
SCALE: 3/4" = 1'-0"

Specifications Exacta BUF36

FRAMING DIMENSIONS

A	B	C	D	E	F
42-1/2"	34-1/4"	19-3/4"	50"	70-3/4"	36"
(1080mm)	(870mm)	(500mm)	(1270mm)	(1768mm)	(915mm)

CLEARANCES TO COMBUSTIBLES

MINIMUM HEARTH DIMENSIONS

MANTEL LEG CLEARANCES

PROJECT LISTING CODES

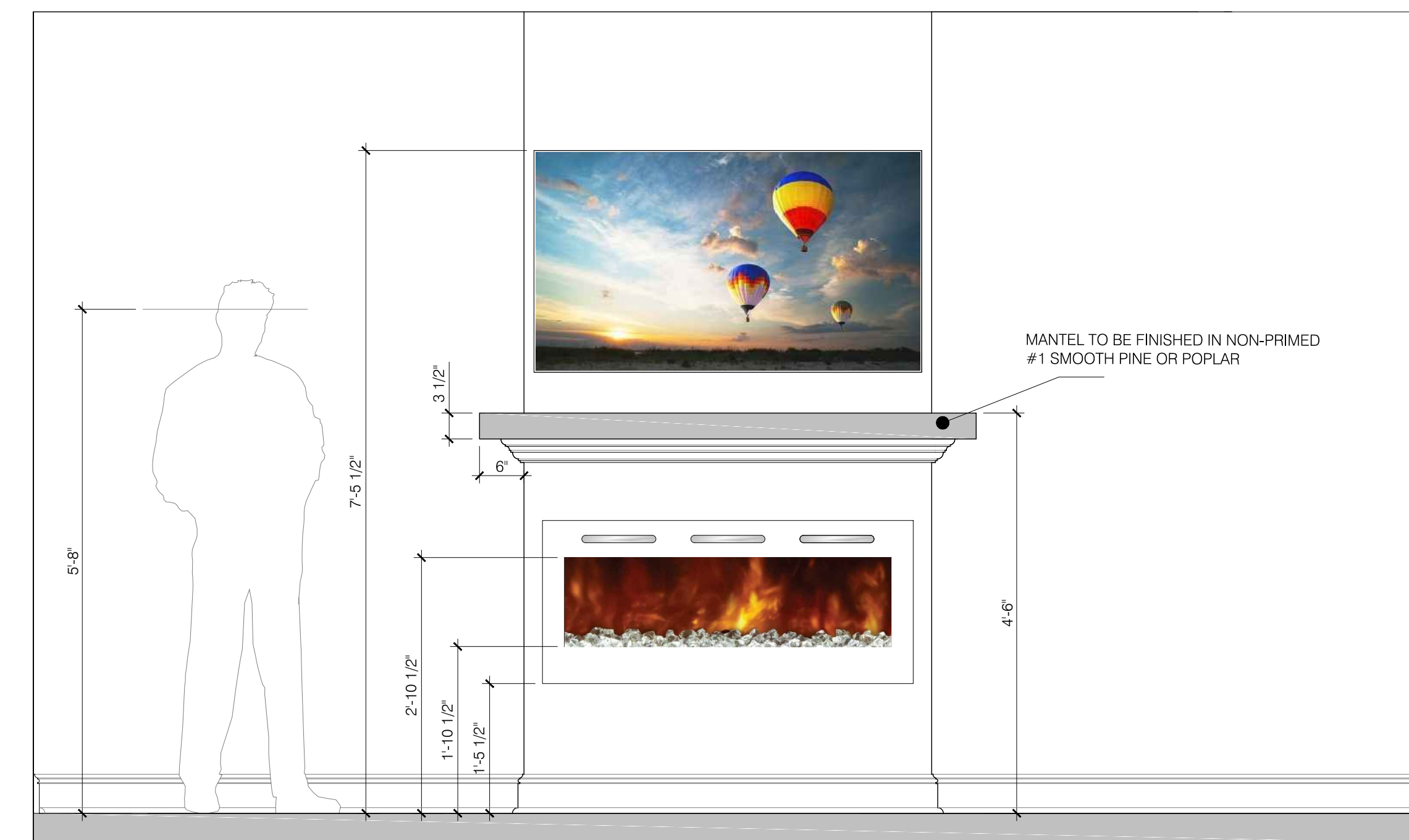
US: A119.2221.1 / NFPA54
CAN: Z117.1

Product information provided is not complete and is subject to change without notice. Product installation not shown shall be in accordance with applicable codes and standards. Product is intended for use as shown and is not intended for use in any other application. Product is not intended for use in any other application. Product is not intended for use in any other application.

Additional information can be found online at www.monessenhearth.com

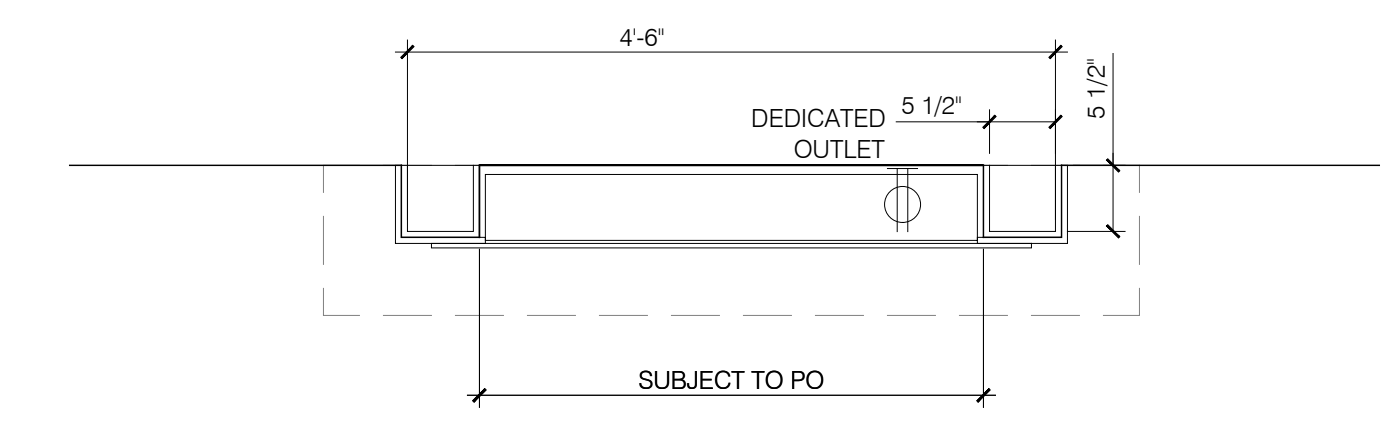
MONESSEN
LOVE AT FIRST LIGHT
(877) 852-4330 | www.monessen.com

EXACTA BUF36 SPEC SHEET #2
SCALE: NTS



LINEAR ELECTRIC
LIVING FLAME FIRE.
MODEL/SPEC - TBD

STANDARD SELECTION: ELECTRIC FIRE AND MANTEL - DRYWALL FINISH
SCALE: 3/4" = 1'-0"



LINEAR ELECTRIC
LIVING FLAME FIRE.
MODEL/SPEC - TBD

OPTION SELECTION #1 ELECTRIC FIRE AND MANTEL - SHIPLAP FINISH
SCALE: 3/4" = 1'-0"

Specifications Exacta BUF36

MONESSEN
LOVE AT FIRST LIGHT

Please consult the manufacturer's installation manual for all details and requirements before making a final design layout decision.

Exacta 36
Vent Free Gas Firebox

MODEL	FRONT WIDTH		BACK WIDTH		HEIGHT		VIEWING AREA
	Actual	Framing	Actual	Framing	Actual	Framing	
BUF36	42"	42-1/2"	31-1/4"	42-1/2"	34"	34-1/4"	20" x 19-3/4"
							36" x 27"

FRONT VIEW

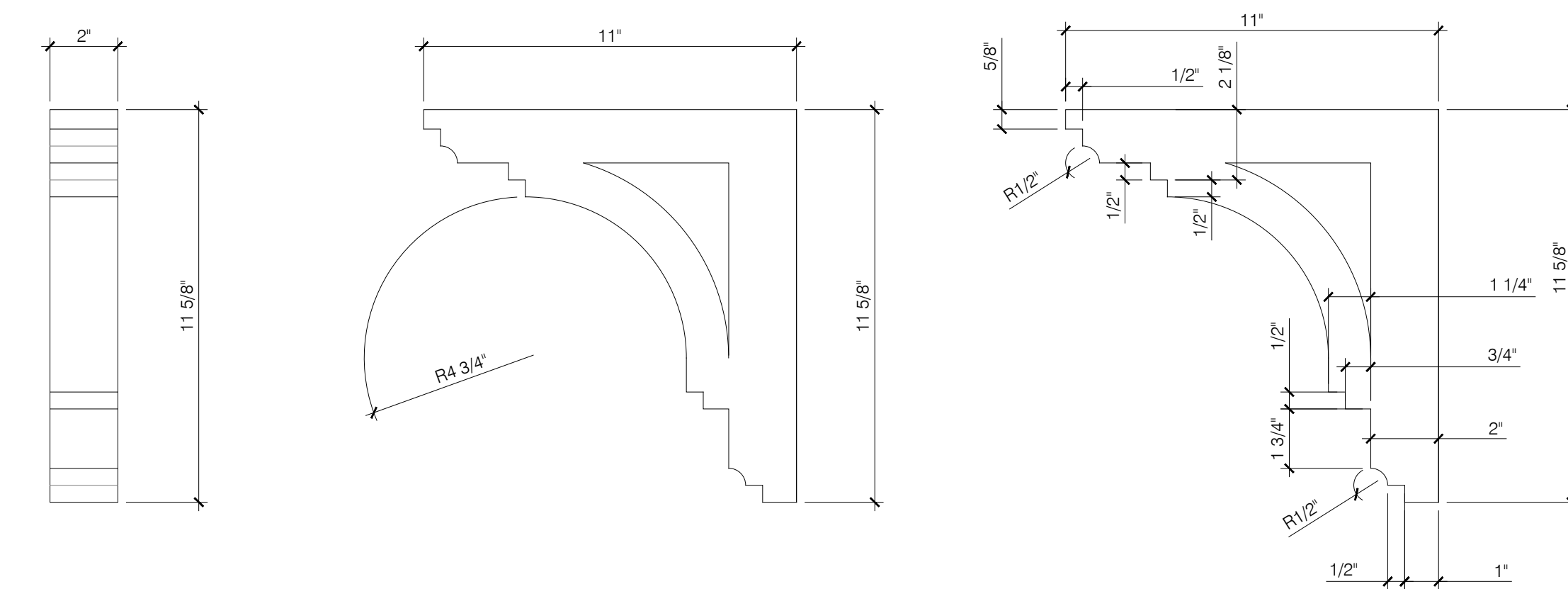
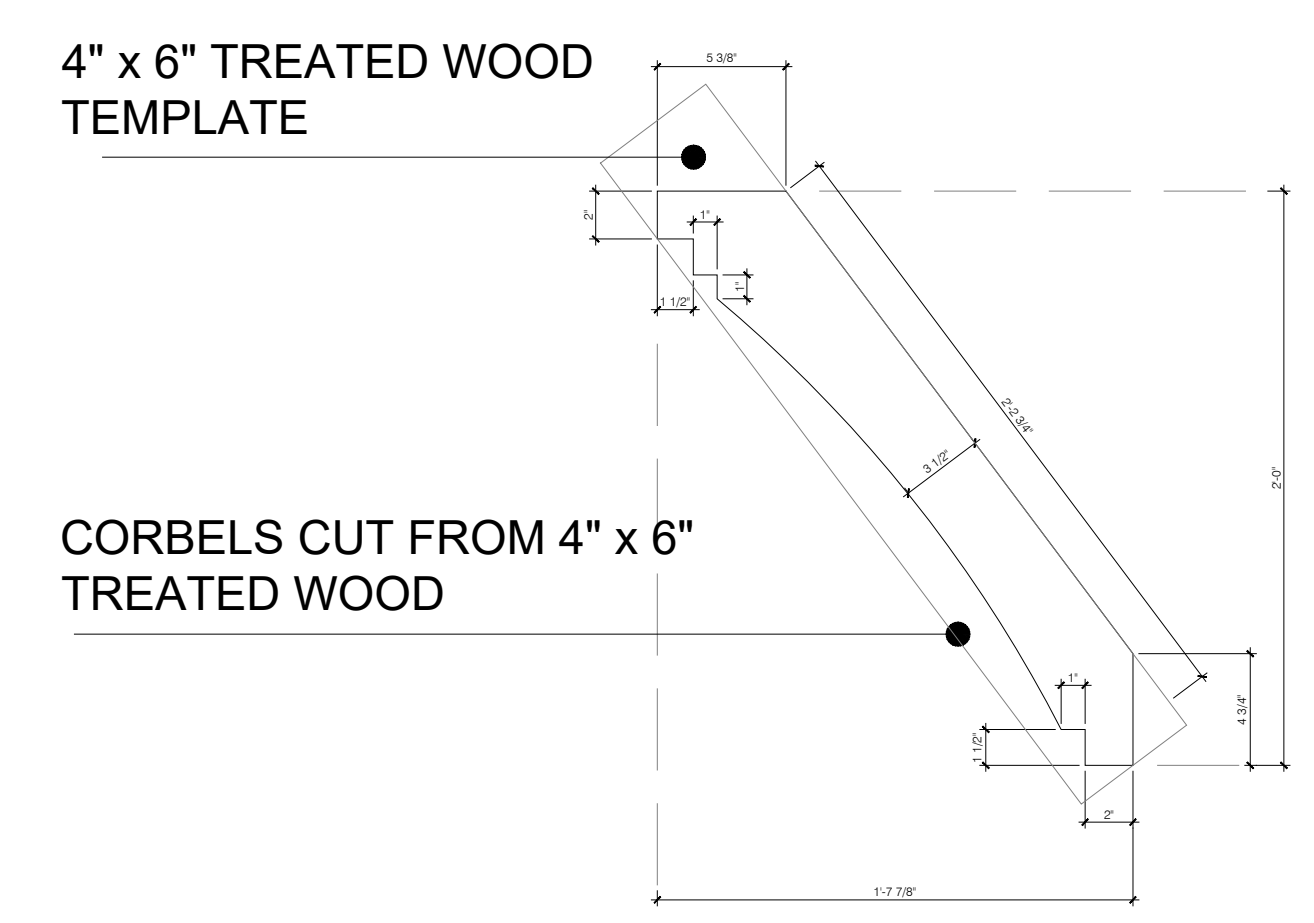
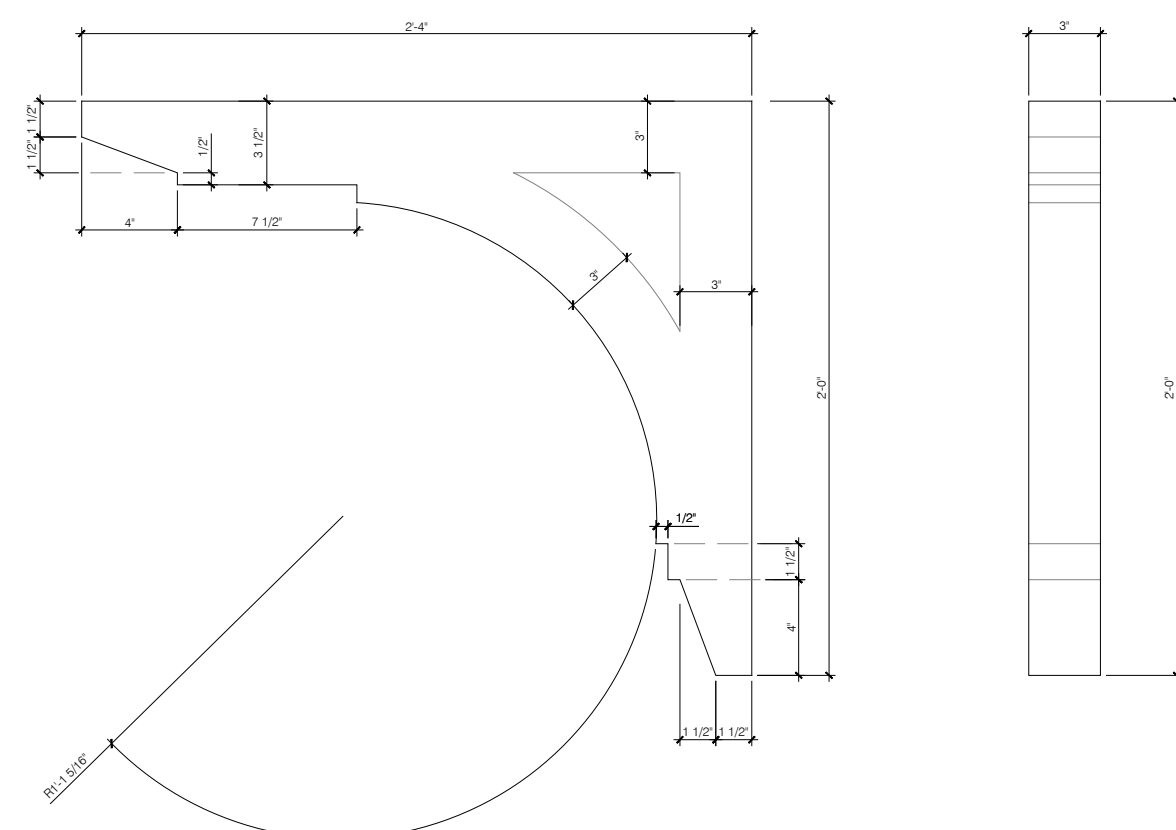
TOP VIEW

LEFT SIDE VIEW

RIGHT SIDE VIEW

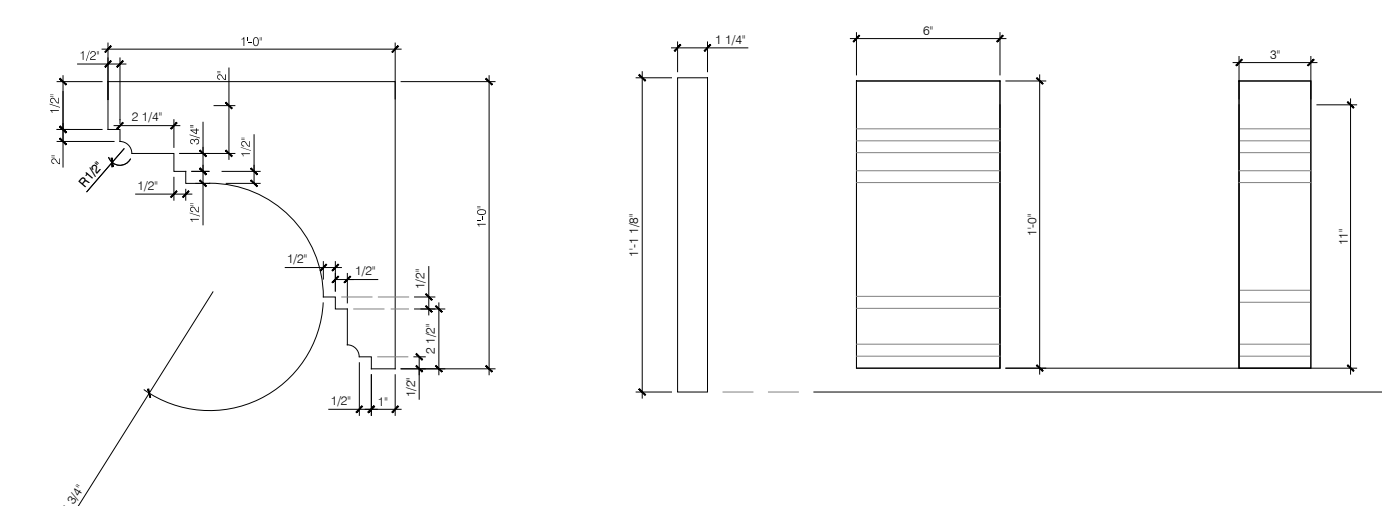
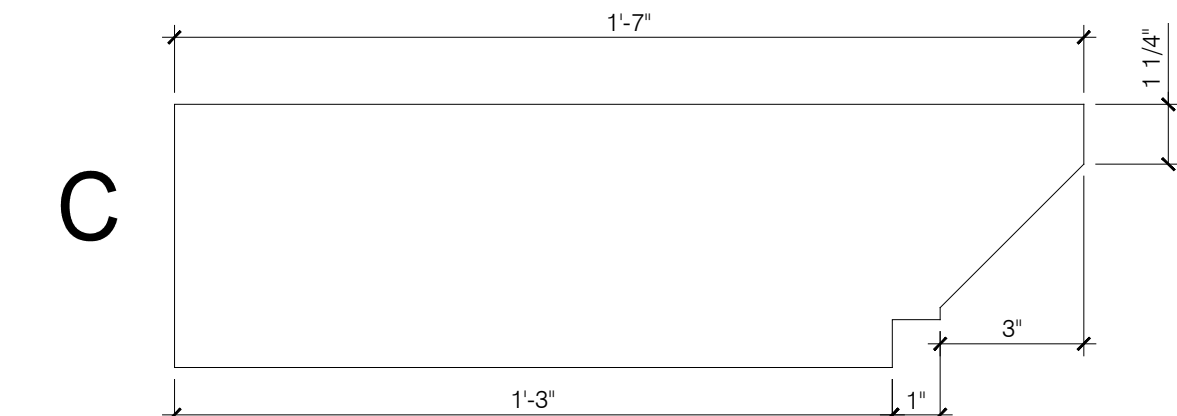
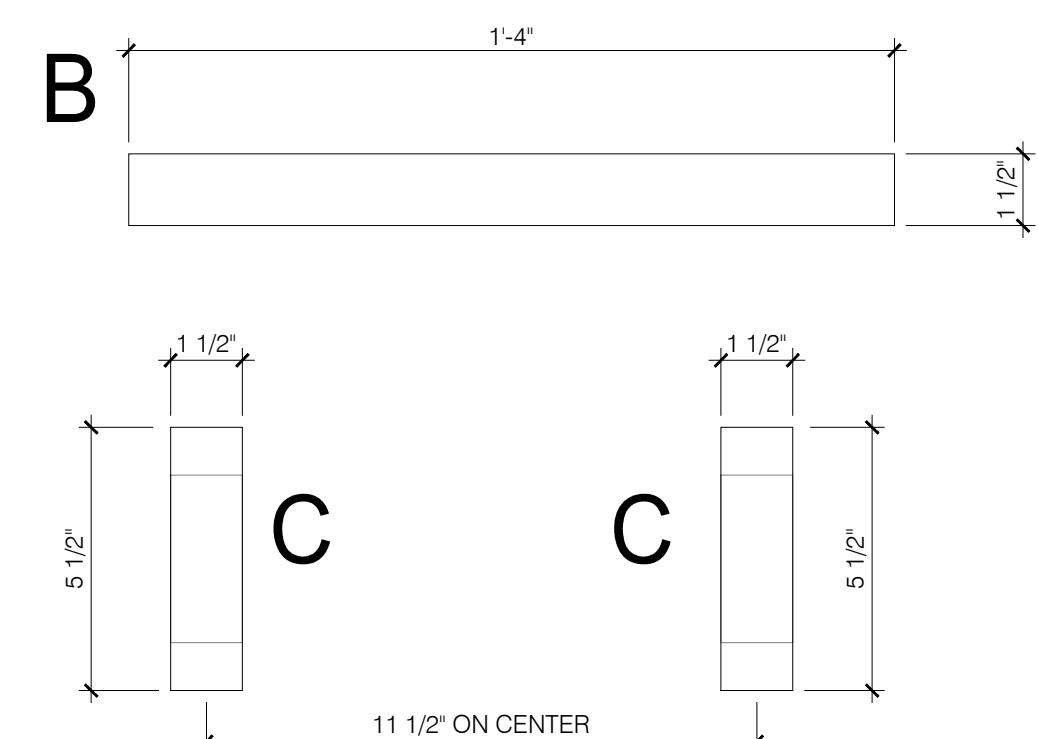
Additional information can be found online at www.monessenhearth.com

EXACTA BUF36 SPEC SHEET #1
SCALE: NTS

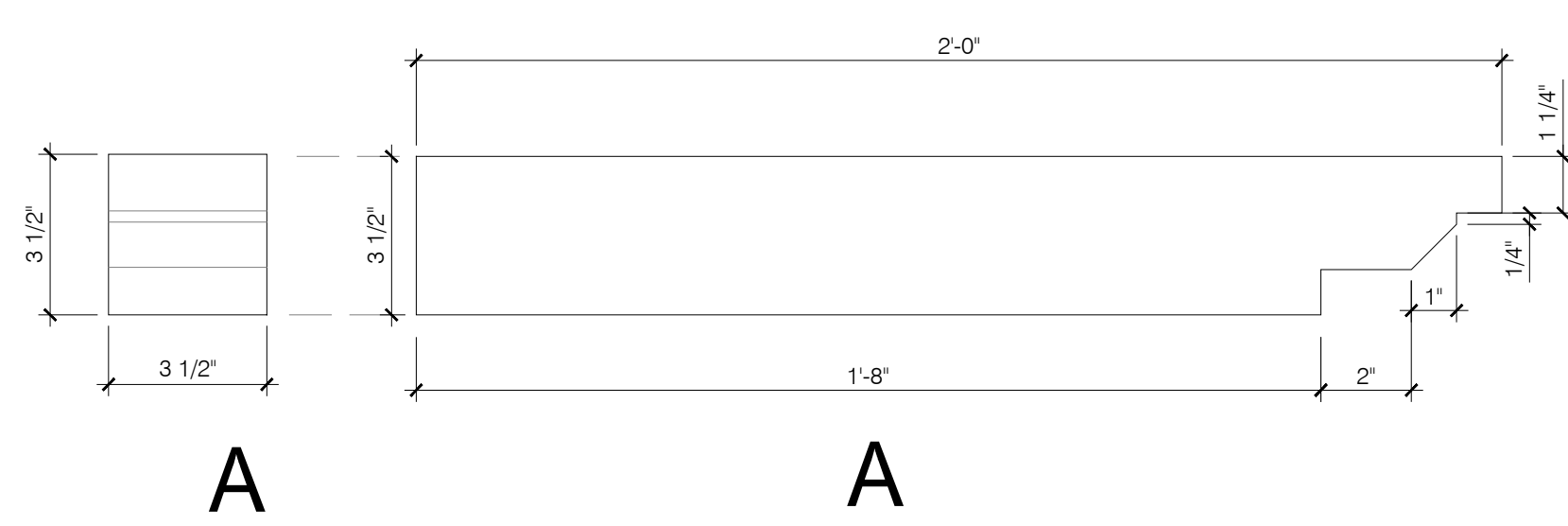
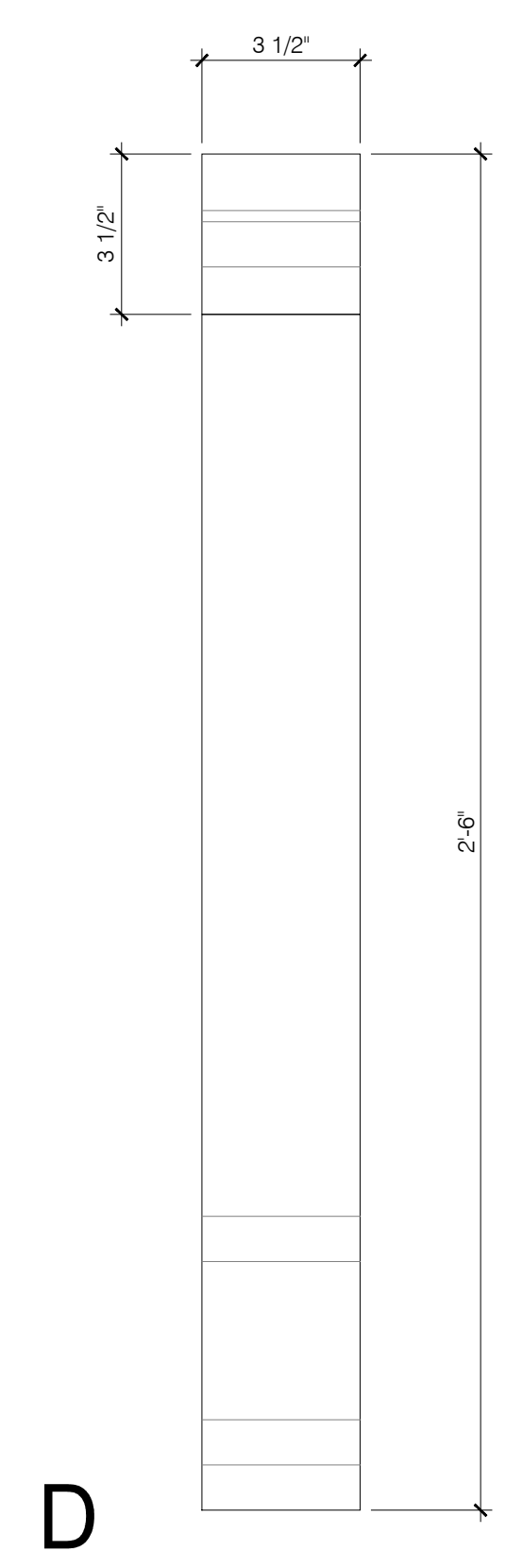
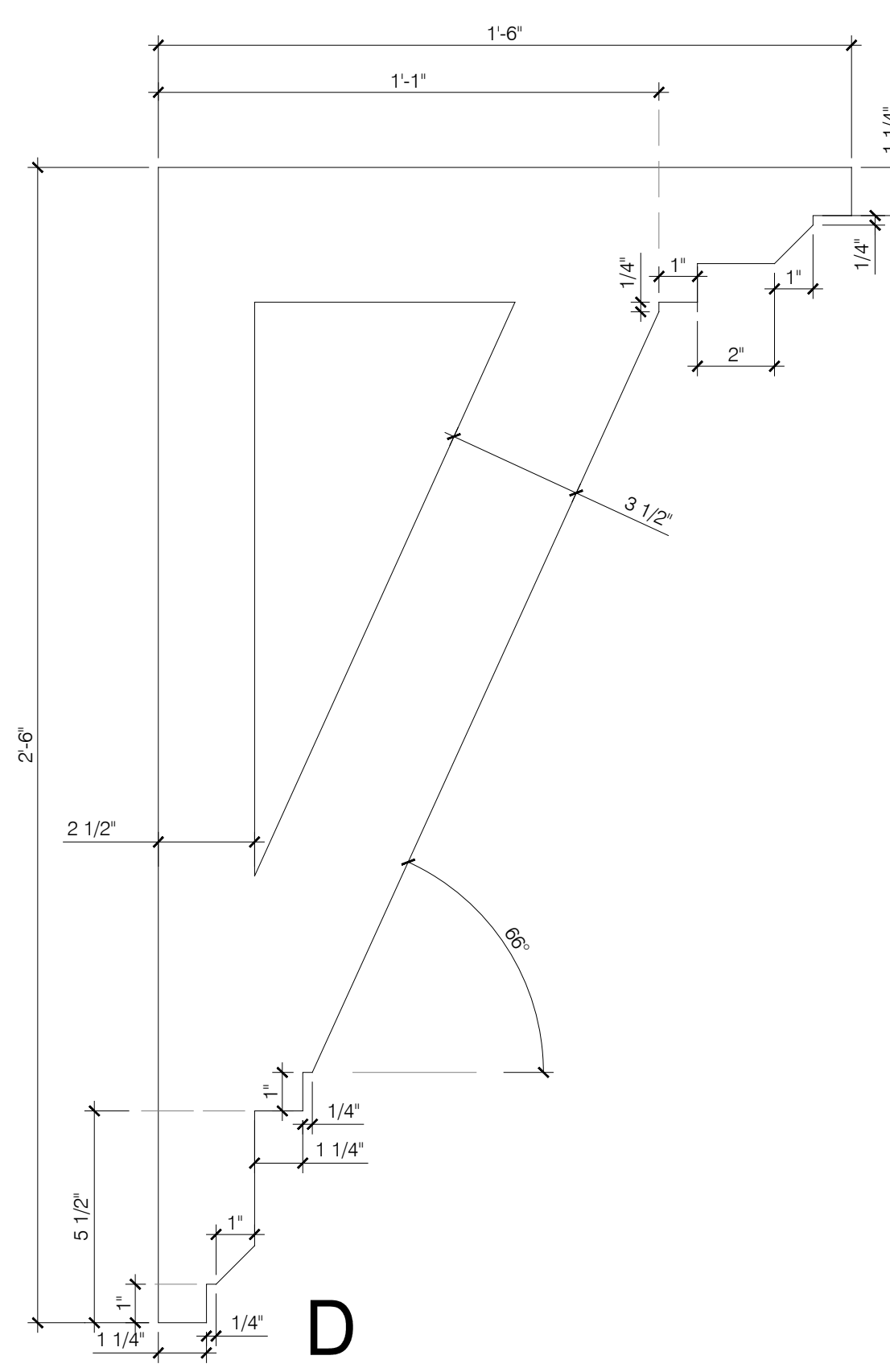


PORCH CORBEL PROFILE DETAILS
SCALE: 1 1/2" = 1'-0"

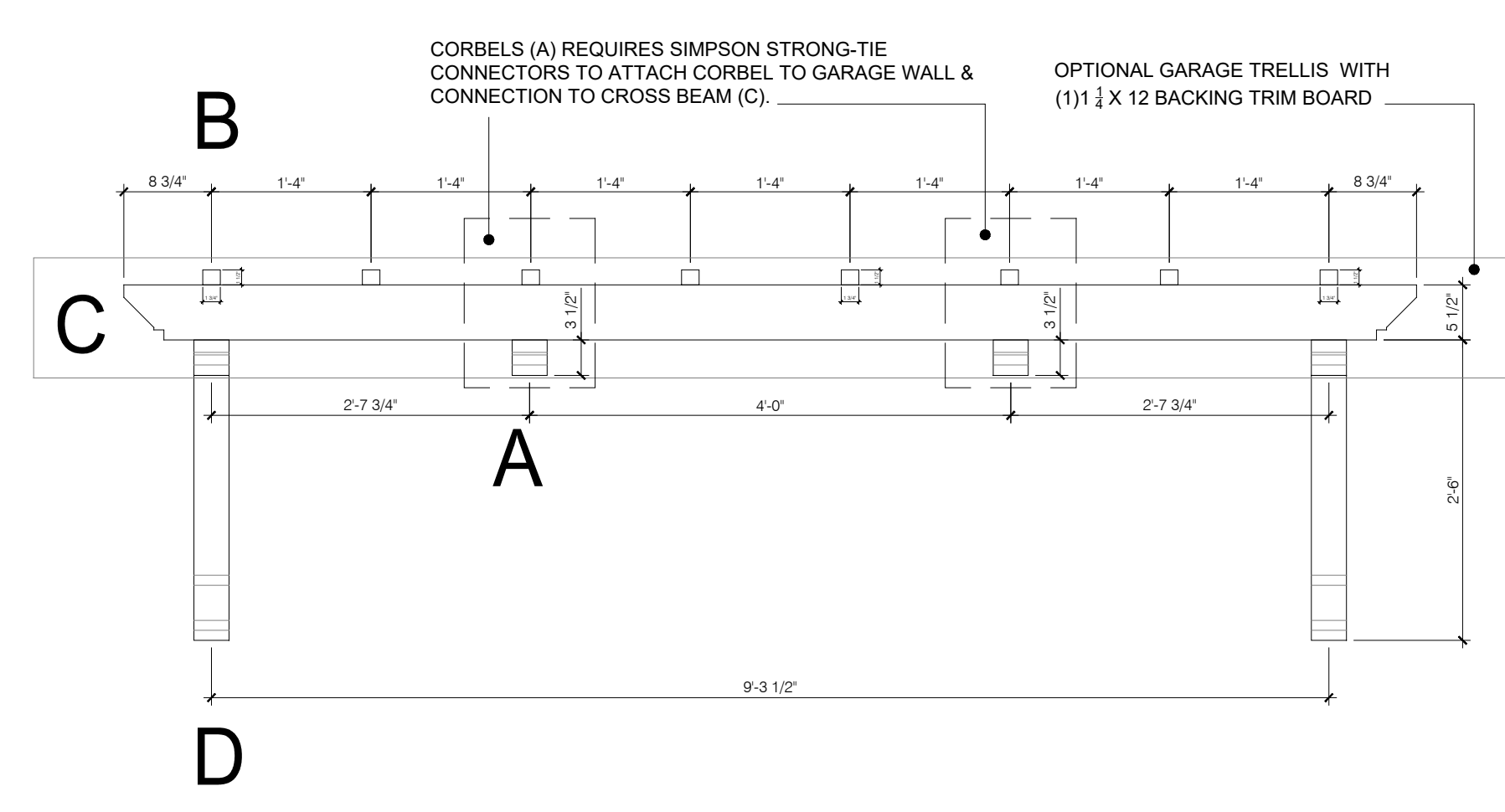
PORCH CORBEL PROFILE DETAILS
SCALE: 3" = 1'-0"



CORNICE MODILLION PROFILE DETAILS
SCALE: 1 1/2" = 1'-0"



GARAGE EXTERNAL TRELLIS DETAILS
SCALE: 3/4" = 1'-0"



GARAGE EXTERNAL TRELLIS PROFILES
SCALE: 3" = 1'-0"

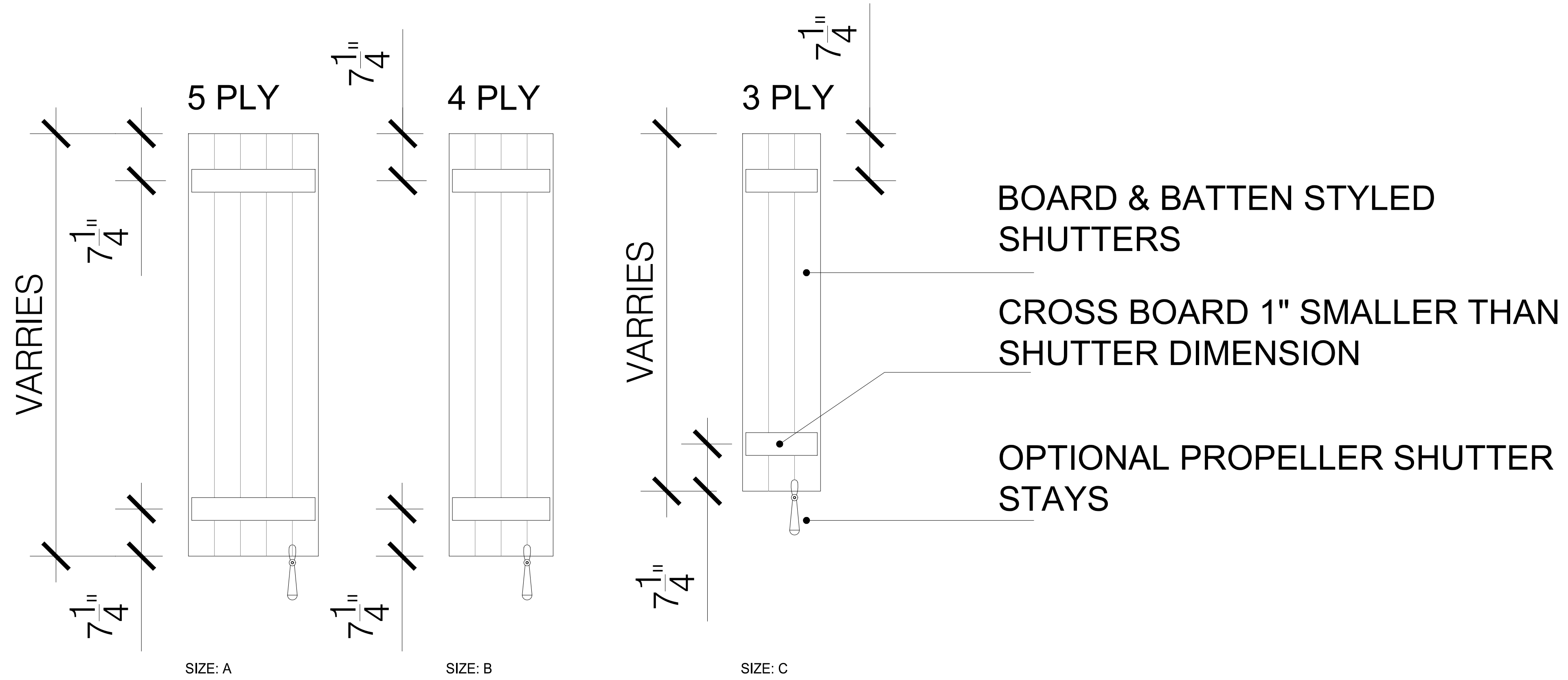
REVISIONS:

J.S. THOMPSON
ENGINEERING, INC.
333 E. SIX FORKS RD., SUITE 180
RALEIGH, NC 27609
PHONE: (919) 789-9919
FAX: (919) 789-9921
N.C. LICENSE NO. C-1733

ASCOT
Land Development and Construction
(910) 688-7361 • www.ascotgrp.com

THE HAMEL
EXTERNAL GARAGE TRELLIS, CORBELS, BRACKETS &
MODILLION DETAILS

DATE: 2024-01-01
DRAWN BY: NS
ENGINEER: JST
CHECKED BY: NS
SCALE: AS SHOWN
SHEET NUMBER:
AD.8



WINDOW SHUTTERS & STAY DETAILS
SCALE: 1" = 1'-0"

DATE: 2024-01-01
DRAWN BY: NS
ENGINEER: JST
CHECKED BY: NS
SCALE: AS SHOWN
SHEET NUMBER:
AD.13

THE HAMEL
WINDOW SHUTTERS & STAY DETAILS

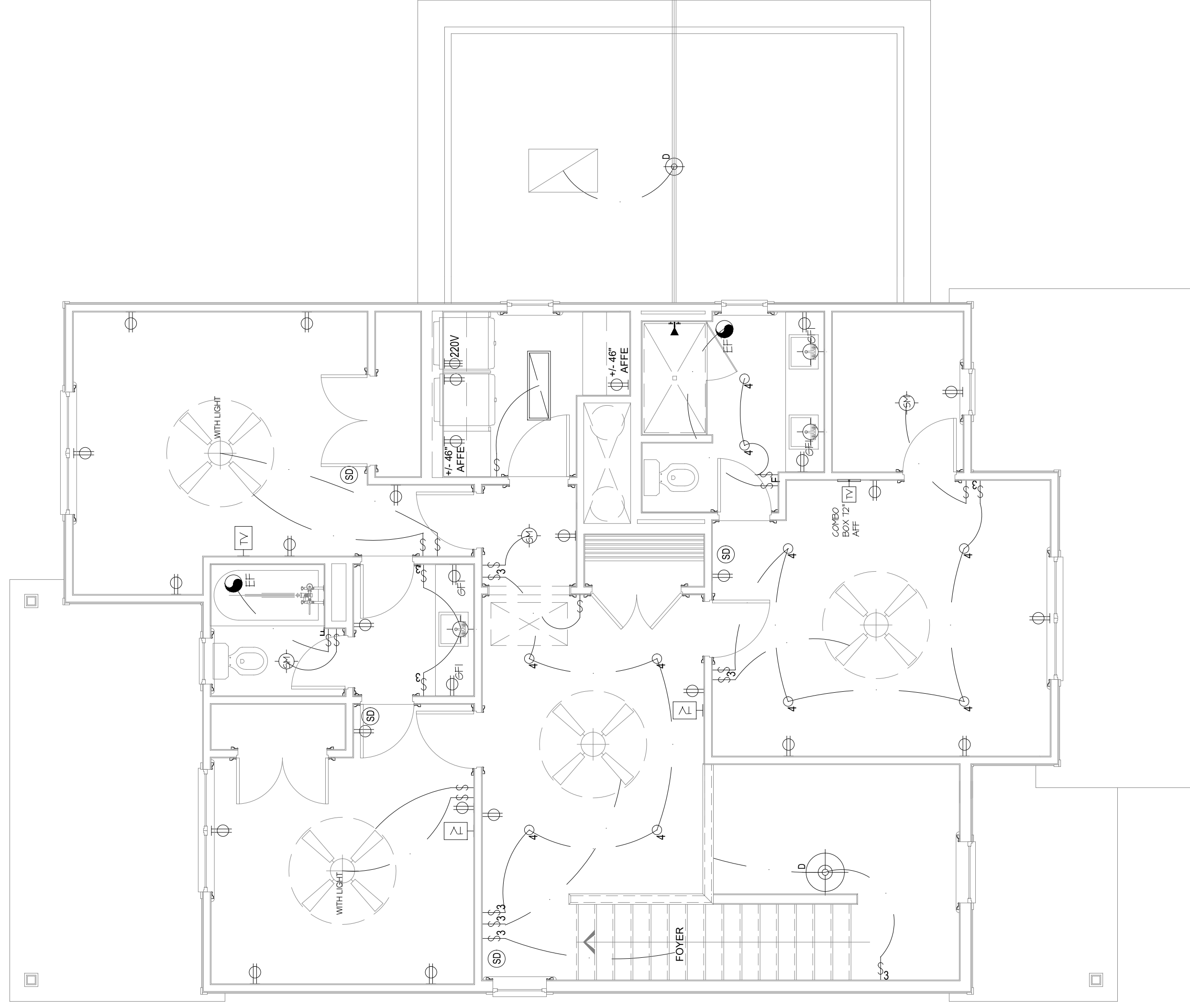
ASCOT
Land Development and Construction
(910) 688-7361 • www.ascotgrp.com

J.S. THOMPSON
ENGINEERING, INC.
333 E. SIX FORKS RD., SUITE 180
RALEIGH, NC 27609
PHONE: (919) 789-9919
FAX: (919) 788-9921
N.C. LICENSE NO. C-1733

REVISIONS:

ELECTRICAL NOTES:

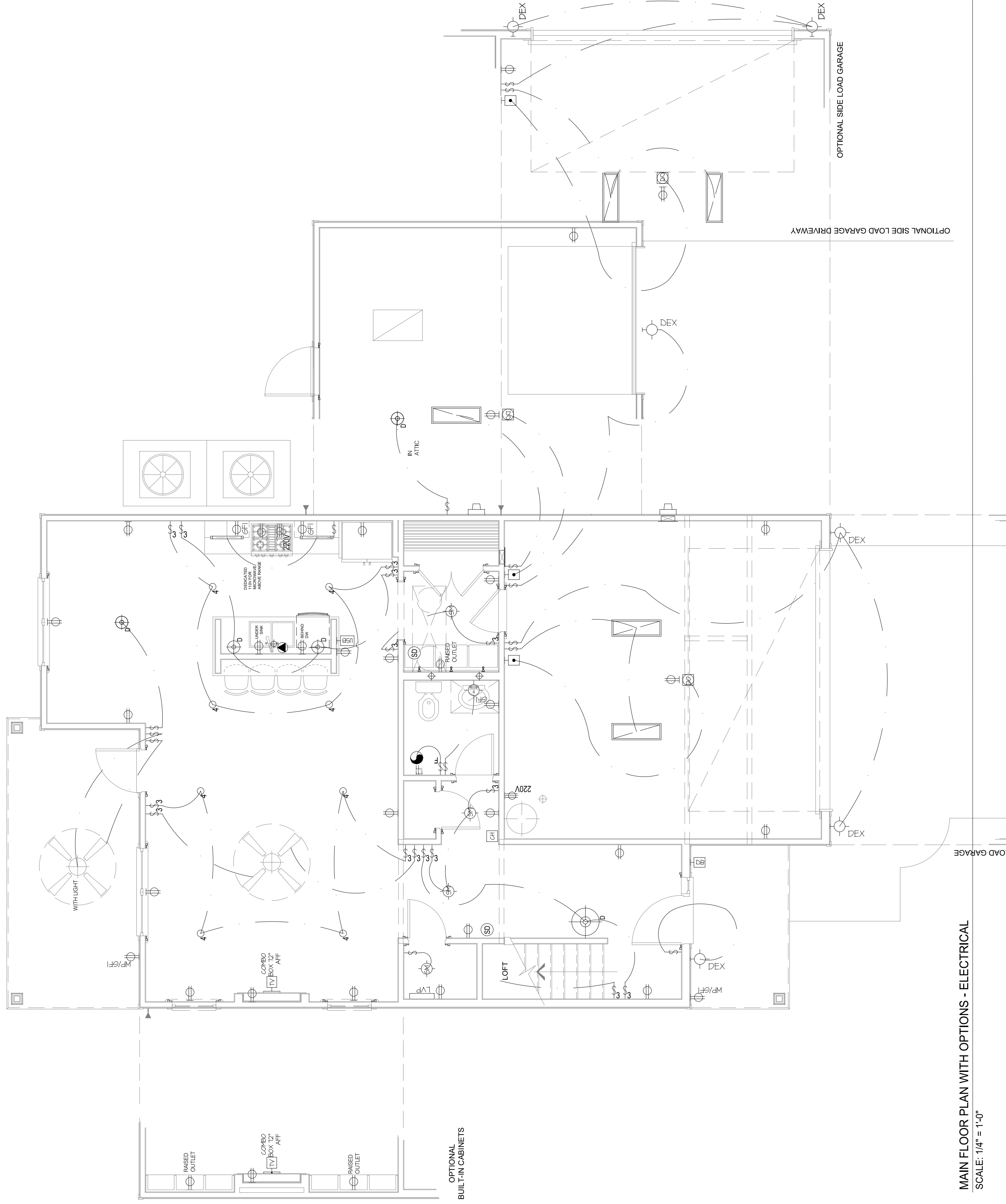
1. PROVIDE AND INSTALL CERTIFIED SMOKE DETECTORS AS REQUIRED BY NATIONAL FIRE PROTECTION ASSOCIATION (NFPA) AND MEETING THE REQUIREMENTS OF ALL GOVERNING CODES. ALL SMOKE DETECTORS SHALL NOT BE LOCATED WITHIN THREE FEET OF A BATHROOM OR AN AC SUPPLY.
2. PROVIDE AND INSTALL SMOKE DETECTORS (GFI) AS REQUIRED BY NATIONAL ELECTRIC CODE (NEC) AND MEETING THE REQUIREMENTS OF ALL GOVERNING CODES.
3. HVAC CONTRACTOR TO VERIFY THERMOSTAT LOCATIONS.
4. ALL ELECTRICAL WORK SHALL BE IN ACCORDANCE WITH ALL APPLICABLE CODES, PERMITS, AC UNITS, ELECTRICAL PANELS, AND WATER HEATERS.
5. PROJECT WALK-THRU WITH SUPERINTENDENT AND ELECTRICAL CONTRACTOR TO BE SCHEDULED PRIOR TO ELECTRICAL WORK.
6. REFER TO CABINET DRAWINGS AND LIGHTING DETAILS FOR POWER STUB-OUT LOCATIONS FOR BUILT-IN AND CABINET LIGHTING.
7. ALL ELECTRICAL WORK SHALL BE IN ACCORDANCE WITH ALL APPLICABLE CODES, PERMITS, AC UNITS, ELECTRICAL PANELS, AND WATER HEATERS.
8. ALL LIGHTING LOCATIONS SHALL BE REVIEWED AND COORDINATED WITH APPROVED FLOOR AND ROOF TRUSS LAYOUTS PRIOR TO INSTALLATION IN THE FIELD.



UPPER FLOOR PLAN WITH OPTIONS - ELECTRICAL
SCALE: 1/4" = 1'-0"

STANDARD ELECTRICAL & LIGHTING KEY	
WHIP FOR LIGHTING	WIRING CIRCUIT
3" RECESSED INCANDESCENT CEILING LIGHT	WIRING CIRCUIT LOW VOLTAGE
4" RECESSED INCANDESCENT CEILING LIGHT	LIGHTING CONTROL
4" RECESSED LED CEILING CAN LIGHT	WALL SWITCH SINGLE POLE
4" VAPOR PROOF LED RECESSED CAN LIGHT	THREE-WAY SWITCH
JUNCTION BOX REINFORCED CEILING MOUNT	FOUR-WAY SWITCH
CEILING JUNCTION BOX	FAN SWITCH
SURFACE MOUNTED LED CEILING LIGHT	DIMMER SWITCH
PENDANT LIGHT	THREE-WAY DIMMER SWITCH
CHANDLIER (REINFORCED CEILING MOUNT)	DIMMER SWITCH ON SYSTEM
WALL MOUNTED INCANDESCENT LIGHT FIXTURE	SINGLE POLE SWITCH ON SYSTEM
DECORATIVE EXTERIOR SCIENCE	PUSH BUTTON SWITCH (GARAGE DOOR)
AMBIABLE RECESSED DOWN LIGHT LOW VOLTAGE	MOTORIZED SHADE (INTERIOR)
LED RECESSED DOWN LIGHT - PHOTO CELL	MOTORIZED SHUTTERS (EXTERIOR)
PUCK LIGHT	DOOR BELL
DOUBLE LAMP CEILING LIGHT (CLOSED)	CHIMES
TRIPLE LAMP CEILING LIGHT (CLOSED)	DUPLX OUTLET
JAMB LIGHT FIXTURE	GROUND FAULT DUPLEX OUTLET ABOVE COUNTER
TRACK LIGHT FIXTURE	WEATHERPROOF GROUND FAULT DUPLEX OUTLET
FLUORESCENT FIXTURE SURFACE MOUNT	HALF SWITCHED DUPLEX OUTLET
CEILING FAN (Add light where indicated)	DEDICATED OUTLET
SINGLE FLOOD LIGHT	220V OUTLET
PHOTO CELL DOUBLE FLOOD LIGHT	FLOOR OUTLET
UC STRIP LIGHT	HALF SWITCHED FLOOR OUTLET
STRIP LIGHT ABOVE CABINET	TELEPHONE/FLOOR
UNDER CABINET LIGHT	CLOCK BOX/WALL
PLUG W/OLD	RECESSED TV COMBINATION BOX
COVE LIGHTING LINEAR	TV CONNECTION
TRANSFORMER	TELEPHONE/DATA WALL
DRIVER	ELECTRICAL OUTLET / USB COMBO
DEMARCATION BOX	DTV SHOWERS SYSTEM
ELECTRIC METER	THERMOSTAT
ELECTRIC PANEL	KEYPAD FOR ALARM
DISCONNECT SWITCH	KEYPAD FOR ALARM
GAS METER	HEAT DETECTOR
WATER METER	EXHAUST FAN
GAS VALVE	LANDSCAPE LIGHTING (POWERSWITCH/LEG)
AIR SWITCH	CARBON MONOXIDE (SMOKE) DETECTOR
PN LIGHT	COMBINATION UNIT
LOW VOLTAGE PANEL	SPEAKER (OPTIONAL)
	GARAGE DISPOSAL
	ELECTRIC DOOR OPERATOR (GARAGE)

ELECTRICAL SYMBOLS LEGEND
SCALE: NTS



MAIN FLOOR PLAN WITH OPTIONS - ELECTRICAL
SCALE: 1/4" = 1'-0"

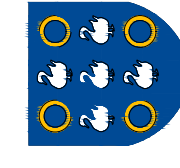
NOTE:
AC RETURN VENTS SHALL NOT BE PLACED WITHIN 10' OF AN OPEN COMBUSTION CHAMBER, A DRAFT HOOD OF ANOTHER APPLIANCE OR WITHIN 10' OF COOKING APPLIANCES. CODE M.1602.2 / 601.5

DATE: 2023-03-31
DRAWN BY: NS
ENGINEER: NS
CHECKED BY: NS
Q.C. BY: NS
SCALE: AS SHOWN
SHEET NUMBER: E1

THE HAMEL

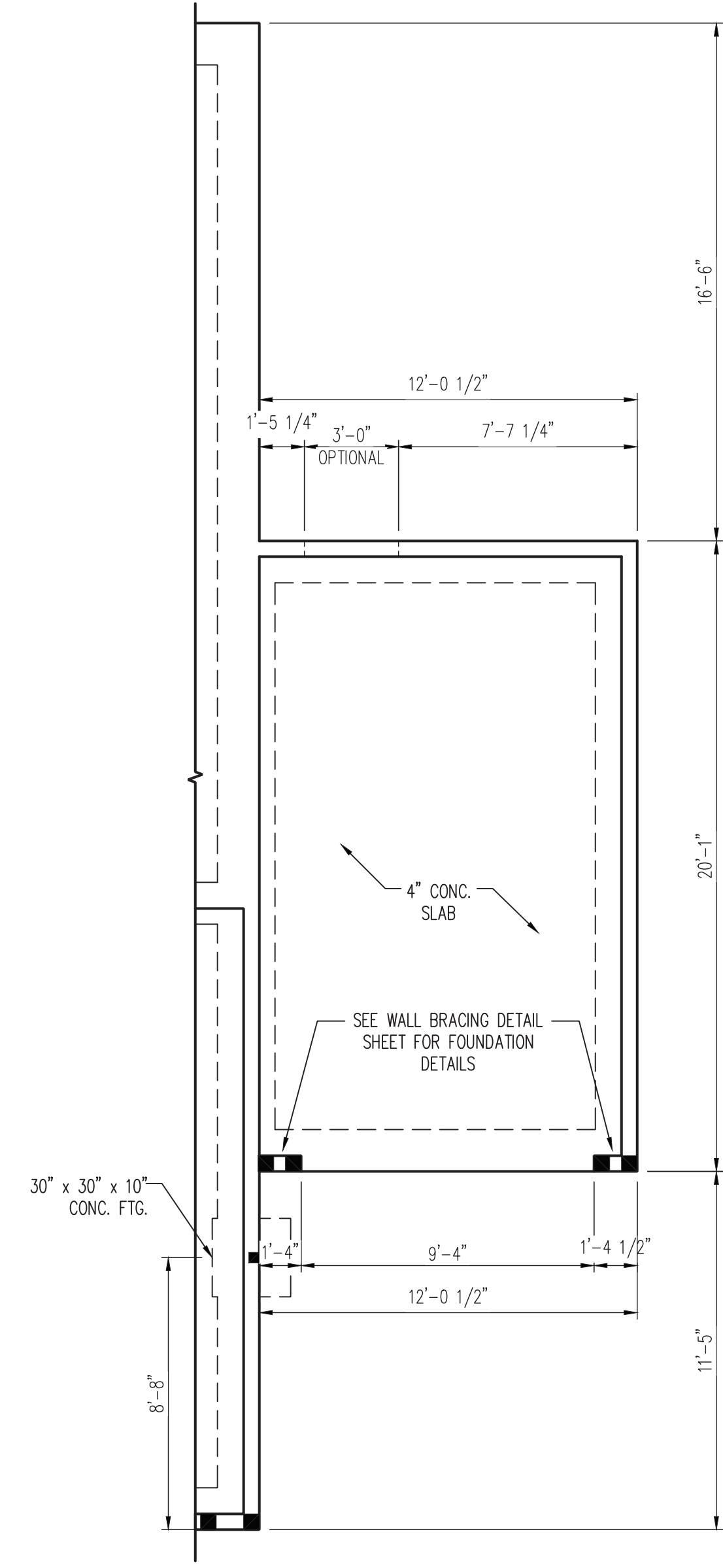
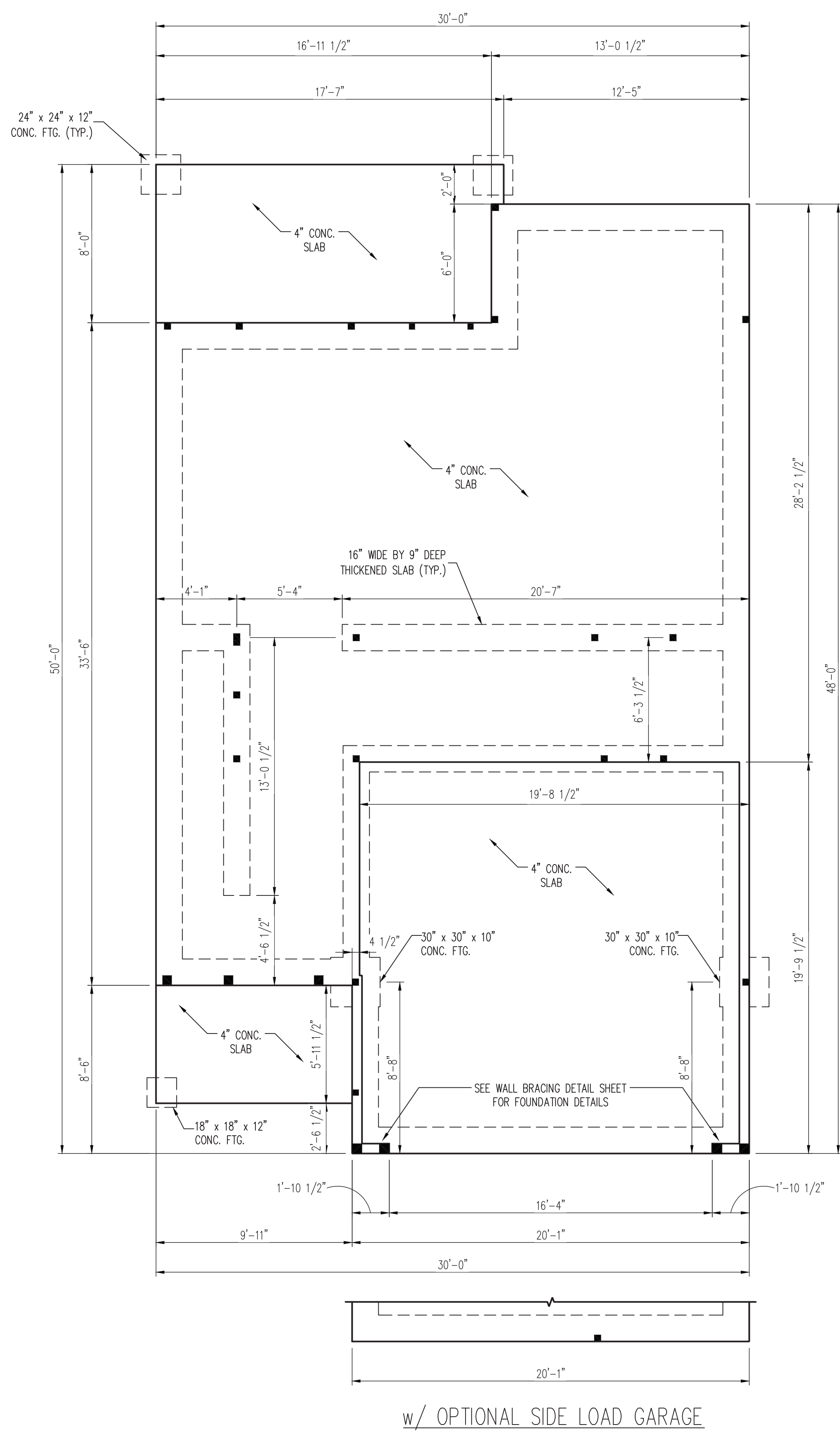
ELECTRICAL - MAIN & UPPER FLOOR PLANS

ASCOT
Land Development and Construction
(910) 688-7361 • www.ascotgrp.com

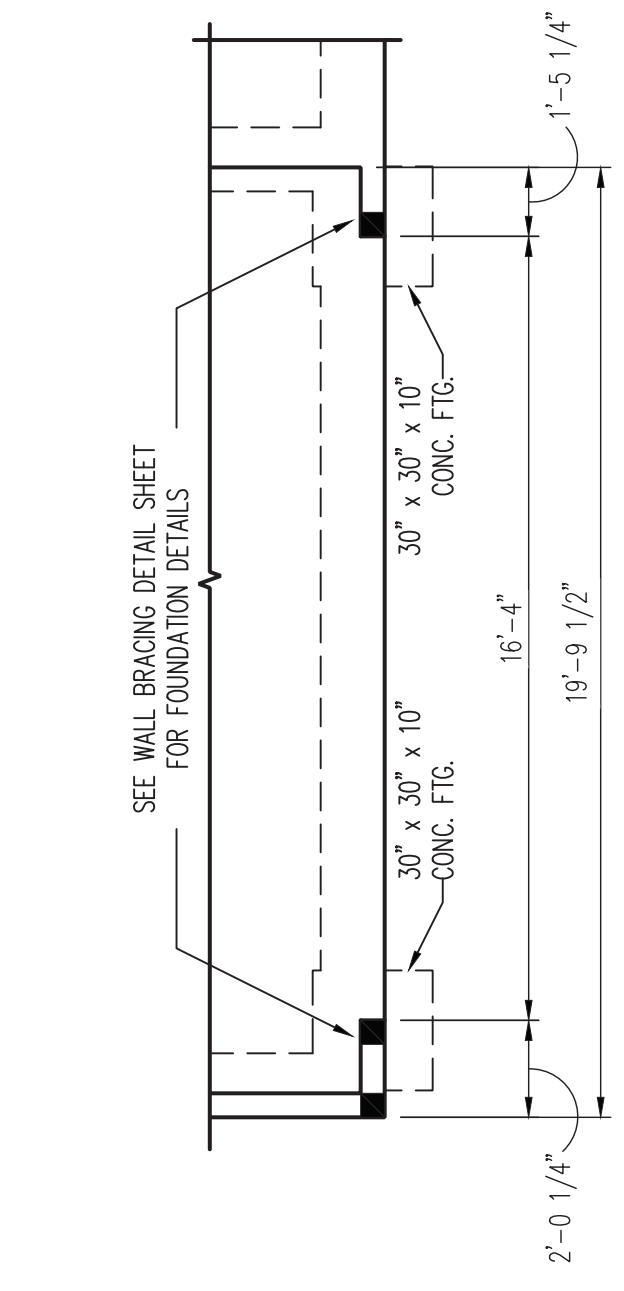


J.S. THOMPSON
ENGINEERING, INC.
333 E. SIX FORKS RD., SUITE 180
RALEIGH, NC 27609
PHONE: (919) 789-9919
FAX: (919) 789-8921
N.C. LICENSE NO.: C-1733

REVISIONS:
REV. 05.04.2023: CAN LIGHT QUANTITY REVISED.
REV. 07.14.2023: LAUNDRY & UPPER FLOOR CHASE REVISED FOR AC DESIGN.
REV. C. 08.04.2023: ENTRANCE DOOR & SPILLIGHT FLIPPED.
REV. 09.04.2023: KITCHEN & ISLAND REVISED FOR AC DESIGN ISSUES.
REV. E. 03.13.2023: KITCHEN & ISLAND REVISED FOR AC DESIGN ISSUES.
REV. F. 01.16.24: TUBS AND SHOWER FRAMING REVISED TO 60".
FRAMED KITCHEN ISLAND ADDED.



OPTIONAL THIRD CAR GARAGE



OPTIONAL SIDE LOAD GARAGE

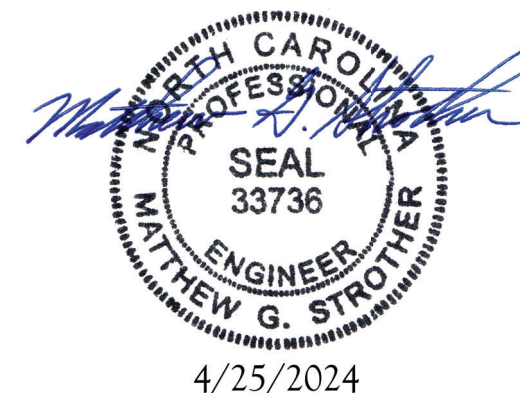
120 MPH ULTIMATE DESIGN WIND SPEED
NOTES FOR LESS THAN
30' MEAN ROOF HEIGHT:

- ENGINEER'S SEAL APPLIES ONLY TO STRUCTURAL COMPONENTS. ENGINEER'S SEAL DOES NOT CERTIFY DIMENSIONAL ACCURACY OR ARCHITECTURAL LAYOUT INCLUDING ROOF SYSTEM.
- STRUCTURAL DESIGN PER NORTH CAROLINA RESIDENTIAL CODE, 2018 EDITION.
- INSTALL 1/2" ANCHOR BOLTS 5'-0" O.C. AND WITHIN 1'-0" FROM END OF EACH CORNER. ANCHOR BOLTS MUST EXTEND A MINIMUM OF 7" INTO MASONRY OR CONCRETE. LOCATE BOLT WITHIN MIDDLE THIRD OF PLATE WIDTH.
- MEAN ROOF HEIGHT IS LESS THAN 30 FEET.
- EXTERIOR WALLS DESIGNED FOR 120 MPH WINDS.
- WALL CLADDING DESIGNED FOR +15.5 PSF AND -20 PSF (+/- INDICATE POSITIVE / NEGATIVE PRESSURE (TYP)).
- ROOF CLADDING DESIGNED FOR +14.2 PSF AND -18 PSF FOR ROOF PITCHES 7/12 TO 12/12 AND +10 PSF AND -36 PSF FOR ROOF PITCHED 2.25/12 TO 7/12.
- INSTALL 7/16" OSB SHEATHING ON ALL EXTERIOR WALLS OF ALL STORES IN ACCORDANCE WITH SECTION R602.10.3 OF THE NRCR, 2018 EDITION. SEE THE WALL BRACING NOTES AND DETAILS SHEET FOR MORE INFORMATION.
- ENERGY EFFICIENCY COMPLIANCE AND INSULATION VALUES OF THE BUILDING TO BE IN ACCORDANCE WITH CHAPTER 11 OF THE NRCR, 2018 EDITION.
- REFER TO NOTES AND DETAIL SHEETS FOR ADDITIONAL STRUCTURAL INFORMATION.

150 MPH ULTIMATE DESIGN WIND SPEED
NOTES FOR LESS THAN
30' MEAN ROOF HEIGHT:

- ENGINEER'S SEAL APPLIES ONLY TO STRUCTURAL COMPONENTS. ENGINEER'S SEAL DOES NOT CERTIFY DIMENSIONAL ACCURACY OR ARCHITECTURAL LAYOUT INCLUDING ROOF SYSTEM.
- STRUCTURAL DESIGN PER NORTH CAROLINA RESIDENTIAL CODE, 2018 EDITION WITH SPECIAL CONSIDERATION TO CHAPTER 45 ("HIGH WIND ZONES" FOR 150 MPH WINDS).
- BUILDER IS TO PROVIDE FRAMING CONNECTIONS AS REQUIRED BY CHAPTER 45 ("HIGH WIND ZONES" FOR 150 MPH WINDS) OF THE NORTH CAROLINA RESIDENTIAL CODE, 2018 EDITION.
- FOUNDATION ANCHORAGE TO COMPLY WITH SECTION 4504 OF THE NORTH CAROLINA RESIDENTIAL CODE, 2018 EDITION.
- MEAN ROOF HEIGHT IS LESS THAN 30 FEET.
- WALL CLADDING DESIGNED FOR +24.3 PSF AND -32 PSF (+/- INDICATE POSITIVE / NEGATIVE PRESSURE (TYP)).
- ROOF CLADDING DESIGNED FOR +22.2 PSF AND -28 PSF FOR ROOF PITCHES 7/12 TO 12/12 AND +14 PSF AND -57 PSF FOR ROOF PITCHED 2.25/12 TO 7/12.
- 7/16" OSB SHEATHING IS REQUIRED ON ALL EXTERIOR WALLS.
- WALLS TO BE BRACED IN ACCORDANCE WITH SECTION R602.10 OF THE NORTH CAROLINA RESIDENTIAL CODE, 2018 EDITION AND AS NOTED ON PLANS.
- ENERGY EFFICIENCY COMPLIANCE AND INSULATION VALUES OF THE BUILDING TO BE IN ACCORDANCE WITH CHAPTER 11 OF THE NRCR, 2018 EDITION.

LEGEND	
CONT	CONTINUOUS
XJ	EXTRA JOIST
DJ	DOUBLE JOIST
TJ	TRIPLE JOIST
EA	EACH
FDN	FOUNDATION
FTG	FOOTING
OC	ON CENTER
SPF	SPRUCE PINE FIR
SYP	SOUTHERN YELLOW PINE
TRTD	PRESSURE TREATED
TYP	TYPICAL
UNO	UNLESS NOTED OTHERWISE



4/25/2024

J.S. THOMPSON
ENGINEERING, INC
333 EAST SIX FORKS ROAD, SUITE 180 RALEIGH, NC 27609
PHONE: (919) 789-9919 FAX: (919) 789-9921
N.C. LICENSE NO.: C-1733

HAMEL
ASCOT GROUP

DATE: APRIL 25, 2024
SCALE: 1/4" = 1'-0"
DRAWN BY: NS
ENGINEERED BY: WFB

S-1b
MONO SLAB
FOUNDATION PLAN

TABLE R602.7.5
MINIMUM NUMBER OF FULL HEIGHT KING STUDS
AT EACH END OF HEADERS IN EXTERIOR WALLS

HEADER SPAN (FEET)	MINIMUM NUMBER OF FULL HEIGHT STUDS (KINGS)
UP TO 3'	1
> 3' TO 6'	2
> 6' TO 9'	3
> 9' TO 12'	4
> 12' TO 15'	5

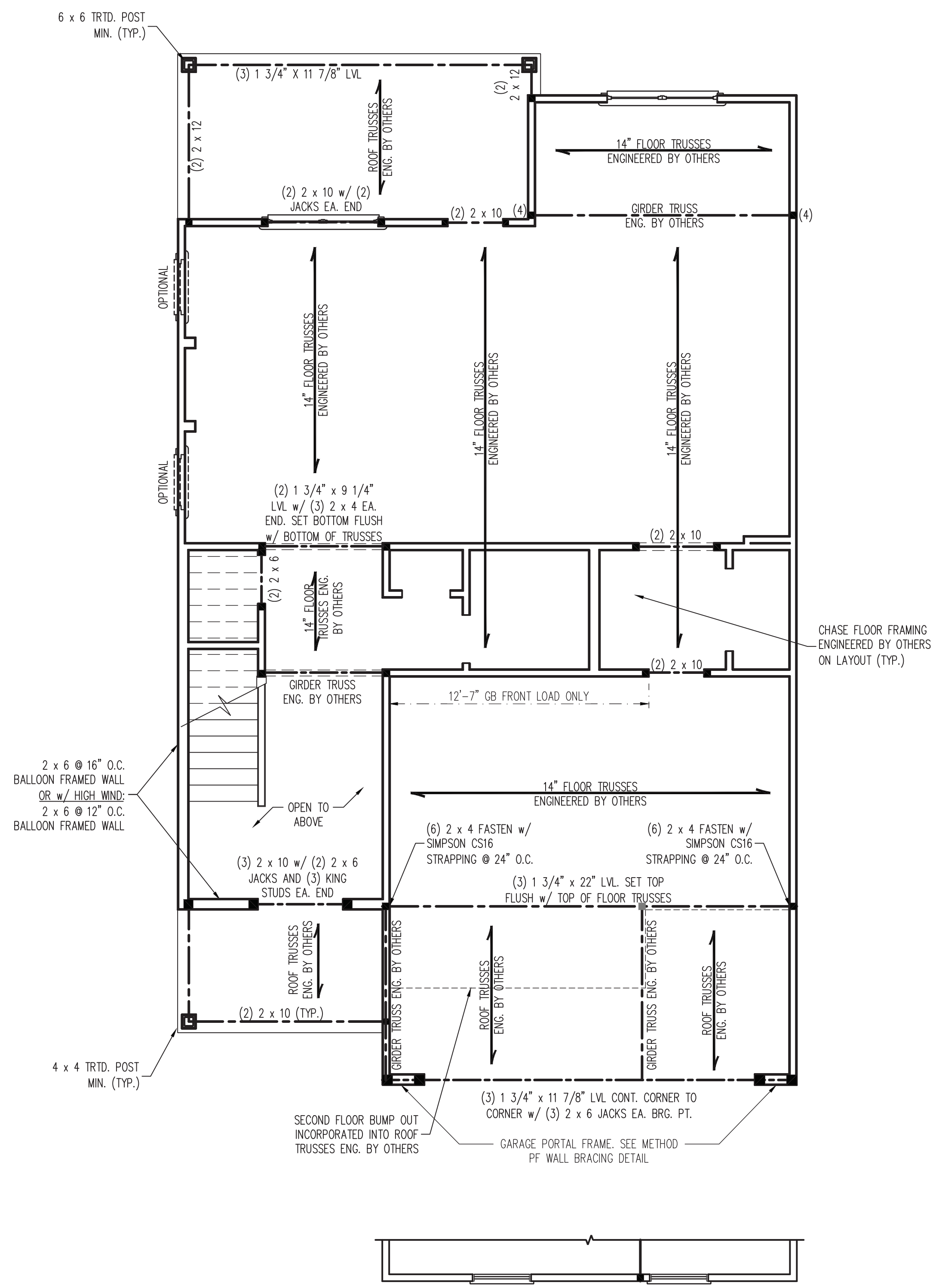
BRACED WALL DESIGN NOTES:

- BRACED WALL DESIGN PER SECTION R602.10.5 "WALL BRACING BY ENGINEERED DESIGN" OF THE NCRC 2018 EDITION USING BRACING MATERIALS AND METHODS LISTED IN TABLE R602.10.1 ALONG WITH ALTERNATIVE MATERIALS AND METHODS THAT COMPLY WITH ACCEPTED ENGINEERING PRACTICE. BRACED WALL DESIGN IS NOT PRESCRIPTIVE.
- SHEATH ALL EXTERIOR WALLS w/ 7/16" OSB TO PROVIDE CS-WSP WALL BRACING THAT WILL BRACE THE STRUCTURE FOR ALL LATERAL LOADS AS REQUIRED BY THE NCRC 2018 EDITION.
- CS-WSP REFERS TO "CONTINUOUSLY SHEATHED WOOD STRUCTURAL PANELS." CONTRACTOR IS TO INSTALL 7/16" OSB ON ALL EXTERIOR WALLS ATTACHED w/ 8d NAILS SPACED 6" O.C. ALONG PANEL EDGES AND 12" O.C. IN THE FIELD.
- GB REFERS TO "GYPSUM BOARD." CONTRACTOR IS TO INSTALL 1/2" (MIN.) GYPSUM BOARD ON BOTH SIDES OF WALL WHERE NOTED ON THE PLANS ATTACHED WITH 1 1/4" LONG #6 SCREWS OR 1 5/8" LONG 5d COOLER NAILS SPACED 7" O.C. ALONG PANEL EDGES AND IN THE FIELD.
- BRACED WALL DESIGN APPLIED IN WIND ZONES UP TO 130 MPH. FOR HIGH WIND ZONES, BRACED WALLS ARE TO BE CONSTRUCTED IN ACCORDANCE WITH CHAPTER 45 OF THE NCRC 2018 EDITION.
- SEE NOTES AND DETAIL SHEETS FOR ADDITIONAL BRACED WALL INFORMATION.

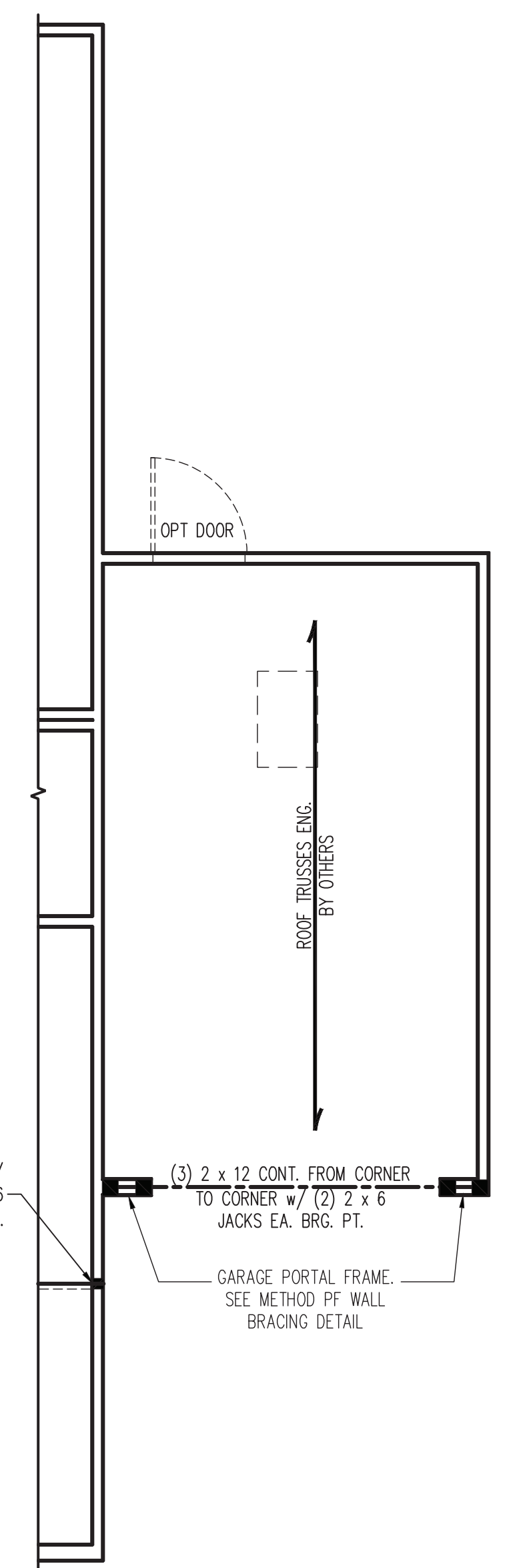
LEGEND

XT	EXTRA TRUSS
TS	TRUSS SUPPORT
CONT	CONTINUOUS
EA	EACH
OC	ON CENTER
SPF	SPRUCE PINE FIR
SYP	SOUTHERN YELLOW PINE
TYP	TYPICAL
UNO	UNLESS NOTED OTHERWISE

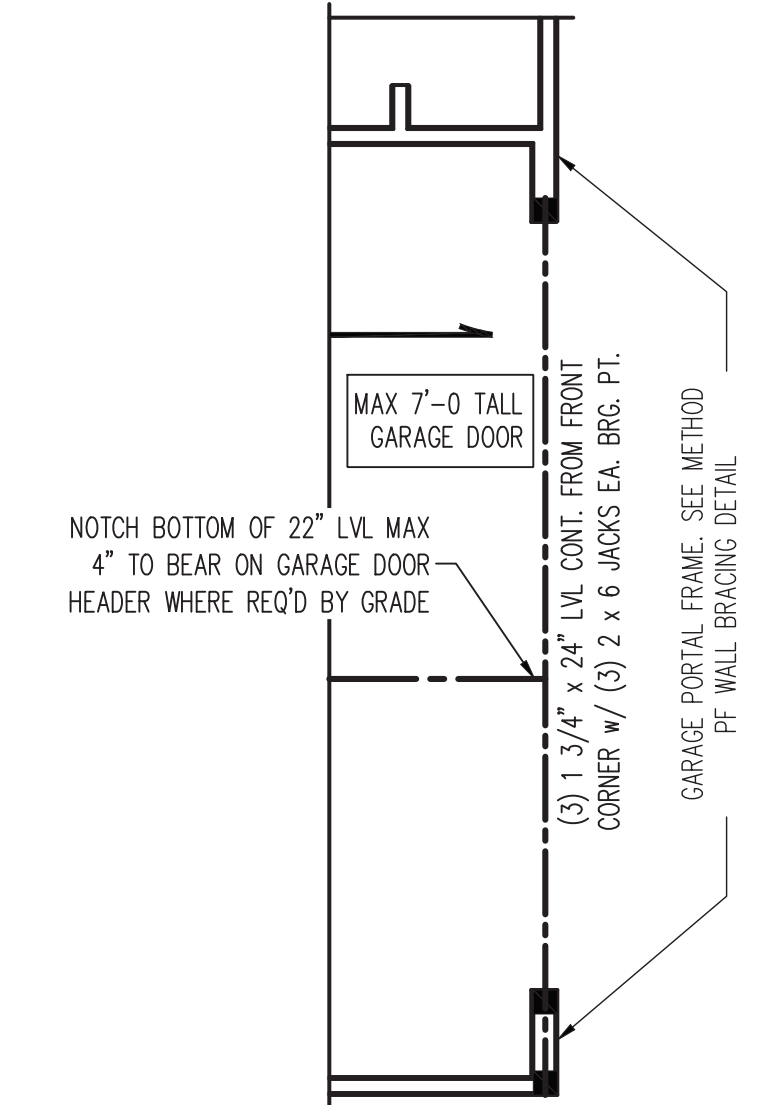
**J.S. THOMPSON
ENGINEERING, INC**
333 EAST SIX FORKS ROAD, SUITE 180 RALEIGH, NC 27609
PHONE: (919) 789-9919 FAX: (919) 789-9921
N.C. LICENSE NO.: C-1733



(6) 2 x 4 FASTEN w/ SIMPSON CS16 STRAPPING @ 24" O.C.



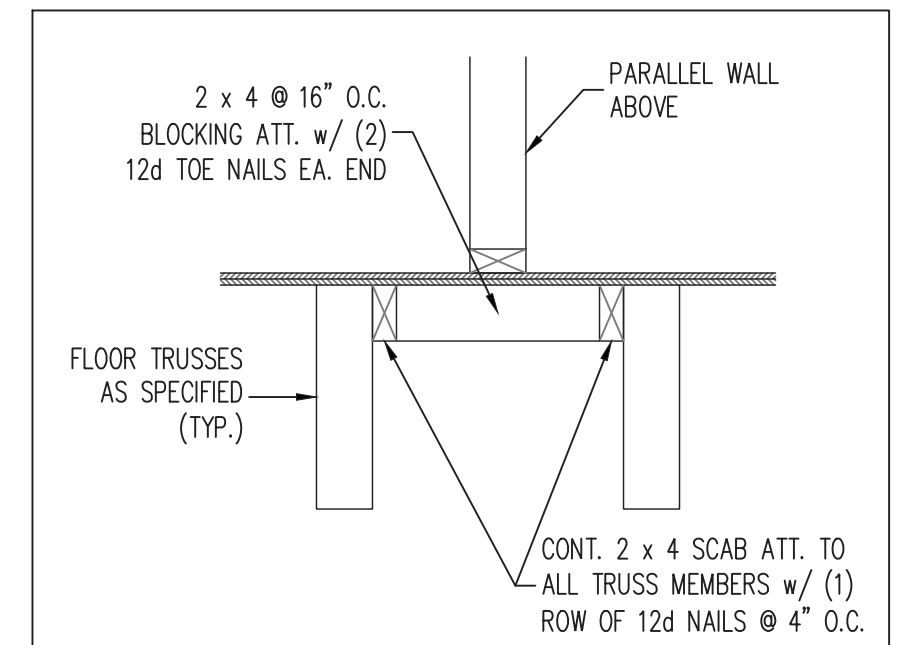
OPTIONAL THIRD CAR GARAGE



OPTIONAL SIDE LOAD GARAGE

STRUCTURAL NOTES:

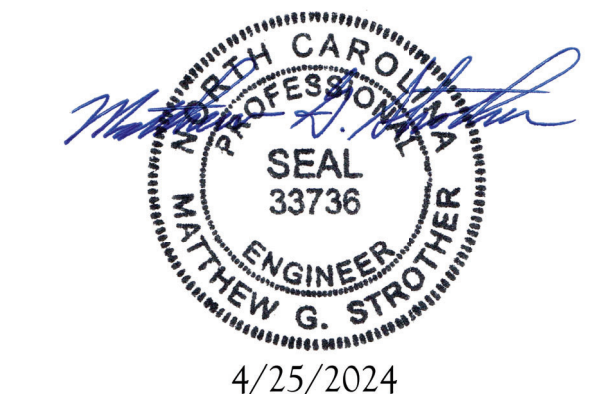
- ALL FRAMING LUMBER TO BE SPF #2 (UNO). ALL TREATED LUMBER TO BE SYP #2 (UNO).
- ALL LOAD BEARING HEADERS TO BE (2) 2 x 6 (UNO).
- INSTALL 2 x 4 @ 16" O.C. BLOCKING BETWEEN ADJACENT TRUSSES UNDER WALLS PARALLEL TO FLOOR TRUSSES WHERE WALL LENGTH EXCEEDS 1/3 OF TRUSS SPAN (SEE DETAIL THIS SHEET). TRUSS DESIGNER TO DESIGN ADJACENT TRUSSES FOR ADDITIONAL LOADING FROM WALLS.
- WINDOW AND DOOR HEADERS TO BE SUPPORTED w/ (1) JACK STUD AND (1) KING STUD EA. END (UNO). SEE TABLE R602.7.5 FOR ADDITIONAL KING STUD REQUIREMENTS.
- SQUARES DENOTE POINT LOADS WHICH REQUIRE SOLID BLOCKING TO ORDER OR FOUNDATION. ALL SQUARES TO BE (2) STUDS (UNO).
- FOR HIGH WIND ZONES, ALL EXTERIOR WALLS TO BE SHEATHED WITH 7/16" OSB SHEATHING WITH JOINTS BLOCKED AND SECURED WITH 8d NAILS AT 3" O.C. ALONG EDGES AND 6" O.C. IN THE FIELD.
- FOR HIGH WIND ZONES, SECURE ALL EXTERIOR WALL SHEATHING PANELS TO DOUBLE TOP PLATES, BANDS, JOISTS, AND GIRDERS WITH (2) ROWS OF 8d NAILS STAGGERED AT 3" O.C. PANELS SHALL EXTEND 12" BEYOND CONSTRUCTION JOINTS AND SHALL OVERLAP GIRDERS AND DOUBLE SILL PLATES THEIR FULL DEPTH.
- ALL 4 x 4 POSTS SHALL BE ANCHORED TO SLABS w/ SIMPSON ABU44 POST BASES (OR EQUAL) AND 6 x 6 POSTS w/ ABU66 POST BASES (OR EQUAL) (UNO). ALL 4 x 4 AND 6 x 6 POSTS TO BE INSTALLED WITH 700 LB CAPACITY UPLIFT CONNECTORS AT TOP (UNO).
- FOR FIBERGLASS, ALUMINUM, OR COLUMN ENG. BY OTHERS, SECURE TO SLAB w/ (2) METAL ANGLES USING 2" CONC. SCREWS. FASTEN ANGLES TO COLUMNS w/ 1/4" THROUGH BOLTS w/ NUTS AND WASHERS. LOCATE ANGLES ON OPPOSITE SIDES OF COLUMN. THROUGH BOLTS MUST BE INSTALLED PRIOR TO SETTING COLUMN.
- REFER TO NOTES AND DETAIL SHEETS FOR ADDITIONAL STRUCTURAL INFORMATION.



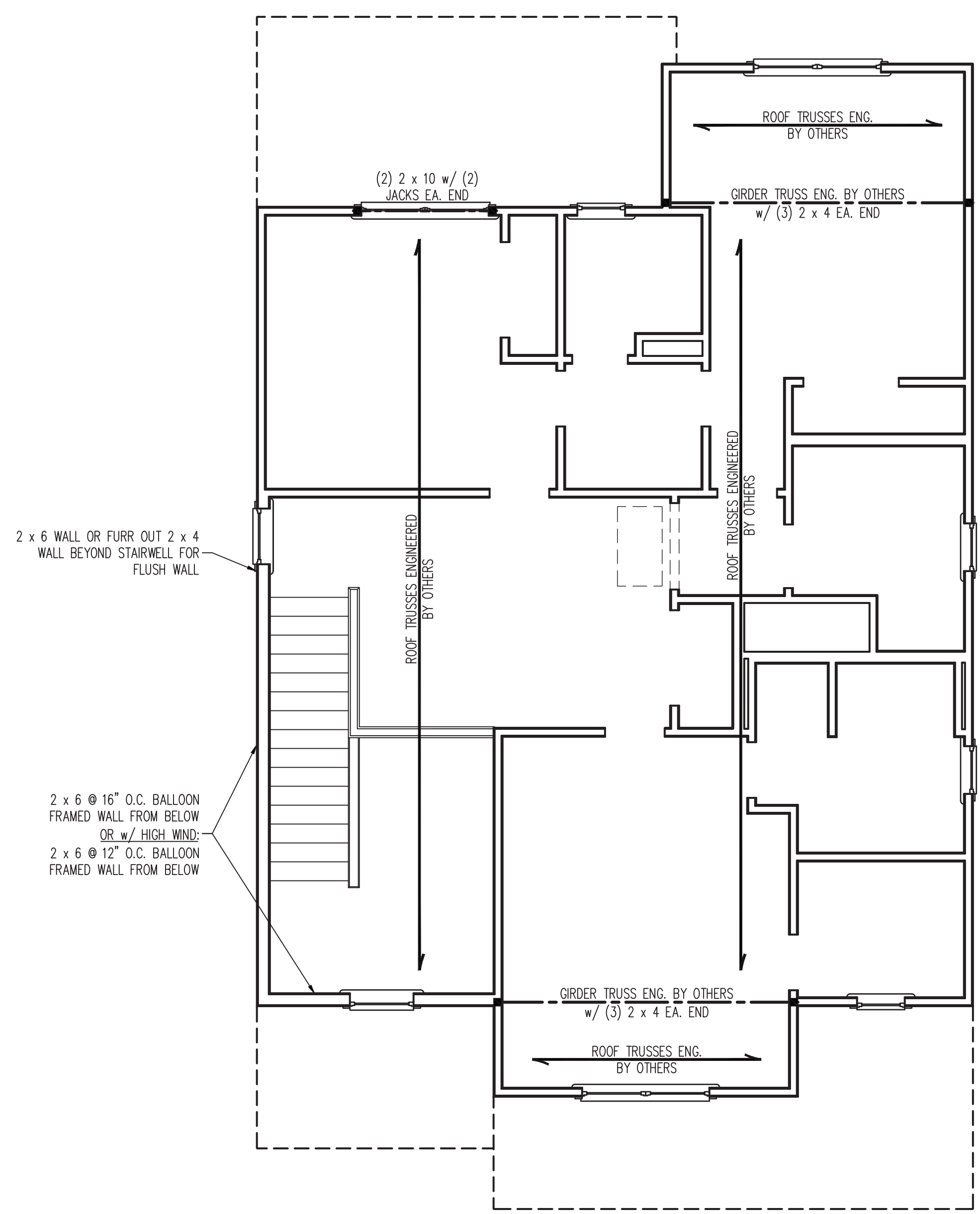
TRUSS BLOCKING DETAIL
INSTALL 2 x 4 @ 16" O.C. BLOCKING BETWEEN ADJACENT TRUSSES UNDER WALLS PARALLEL TO FLOOR TRUSSES WHERE WALL LENGTH EXCEEDS 1/3 OF TRUSS SPAN. TRUSS DESIGNER TO DESIGN ADJACENT TRUSSES FOR ADDITIONAL LOADING FROM WALLS.

HAMEL
ASCOT GROUP

DATE: APRIL 25, 2024
SCALE: 1/4" = 1'-0"
DRAWN BY: NS
ENGINEERED BY: WFB



S-2
SECOND FLOOR
FRAMING PLAN



- BRACED WALL DESIGN NOTES:**
- BRACED WALL DESIGN PER SECTION R602.10.5 "WALL BRACING BY ENGINEERED DESIGN" OF THE NCR 2018 EDITION USING BRACING MATERIALS AND METHODS LISTED IN TABLE R602.10.1 ALONG WITH ALTERNATIVE MATERIALS AND METHODS THAT COMPLY WITH ACCEPTED ENGINEERING PRACTICE. BRACED WALL DESIGN IS NOT PRESCRIPTIVE.
 - SHEATH ALL EXTERIOR WALLS w/ 7/16" OSB TO PROVIDE CS-WSP WALL BRACING THAT WILL BRACE THE STRUCTURE FOR ALL LATERAL LOADS AS REQUIRED BY THE NCR 2018 EDITION.
 - CS-WSP REFERS TO "CONTINUOUSLY SHEATHED WOOD STRUCTURAL PANELS." CONTRACTOR IS TO INSTALL 7/16" OSB ON ALL EXTERIOR WALLS ATTACHED w/ 8d NAILS SPACED 6" O.C. ALONG PANEL EDGES AND 12" O.C. IN THE FIELD.
 - GB REFERS TO "GYPSUM BOARD." CONTRACTOR IS TO INSTALL 1/2" (MIN.) GYPSUM BOARD ON BOTH SIDES OF WALL WHERE NOTED ON THE PLANS ATTACHED WITH 1 1/4" LONG #6 SCREWS OR 1 5/8" LONG 5d COOLER NAILS SPACED 7" O.C. ALONG PANEL EDGES AND IN THE FIELD.
 - BRACED WALL DESIGN APPLIED IN WIND ZONES UP TO 130 MPH. FOR HIGH WIND ZONES, BRACED WALLS ARE TO BE CONSTRUCTED IN ACCORDANCE WITH CHAPTER 45 OF THE NCR 2018 EDITION.
 - SEE NOTES AND DETAIL SHEETS FOR ADDITIONAL BRACED WALL INFORMATION.

- STRUCTURAL NOTES:**
- ALL FRAMING LUMBER TO BE SPF #2 (UNO). ALL TREATED LUMBER TO BE SYP #2 (UNO).
 - ALL LOAD BEARING HEADERS TO BE (2) 2 x 6 (UNO).
 - WINDOW AND DOOR HEADERS TO BE SUPPORTED w/ (1) JACK STUD AND (1) KING STUD EA. END (UNO). SEE TABLE R602.7.5 FOR ADDITIONAL KING STUD REQUIREMENTS.
 - SQUARES DENOTE POINT LOADS WHICH REQUIRE SOLID BLOCKING TO GIRDER OR FOUNDATION. ALL SQUARES TO BE (2) STUDS (UNO).
 - FOR HIGH WIND ZONES, ALL EXTERIOR WALLS TO BE SHEATHED WITH 7/16" OSB SHEATHING WITH JOINTS BLOCKED AND SECURED WITH 8d NAILS AT 3" O.C. ALONG EDGES AND 6" O.C. IN THE FIELD.
 - FOR HIGH WIND ZONES, SECURE ALL EXTERIOR WALL SHEATHING PANELS TO DOUBLE TOP PLATES, BANDS, JOISTS, AND GIRDERS WITH (2) ROWS OF 8d NAILS STAGGERED AT 3" O.C. PANELS SHALL EXTEND 12" BEYOND CONSTRUCTION JOINTS AND SHALL OVERLAP GIRDERS AND DOUBLE SILL PLATES THEIR FULL DEPTH.
 - REFER TO NOTES AND DETAIL SHEETS FOR ADDITIONAL STRUCTURAL INFORMATION.

TABLE R602.7.5
MINIMUM NUMBER OF FULL HEIGHT KING STUDS AT EACH END OF HEADERS IN EXTERIOR WALLS

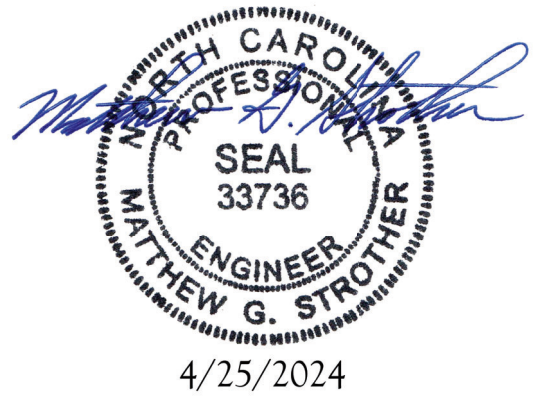
HEADER SPAN (FEET)	MINIMUM NUMBER OF FULL HEIGHT STUDS (KINGS)
UP TO 3'	1
> 3' TO 6'	2
> 6' TO 9'	3
> 9' TO 12'	4
> 12' TO 15'	5

LEGEND

XT	EXTRA TRUSS
TS	TRUSS SUPPORT
CONT	CONTINUOUS
EA	EACH
OC	ON CENTER
SPF	SPRUCE PINE FIR
SYP	SOUTHERN YELLOW PINE
TYP	TYPICAL
UNO	UNLESS NOTED OTHERWISE

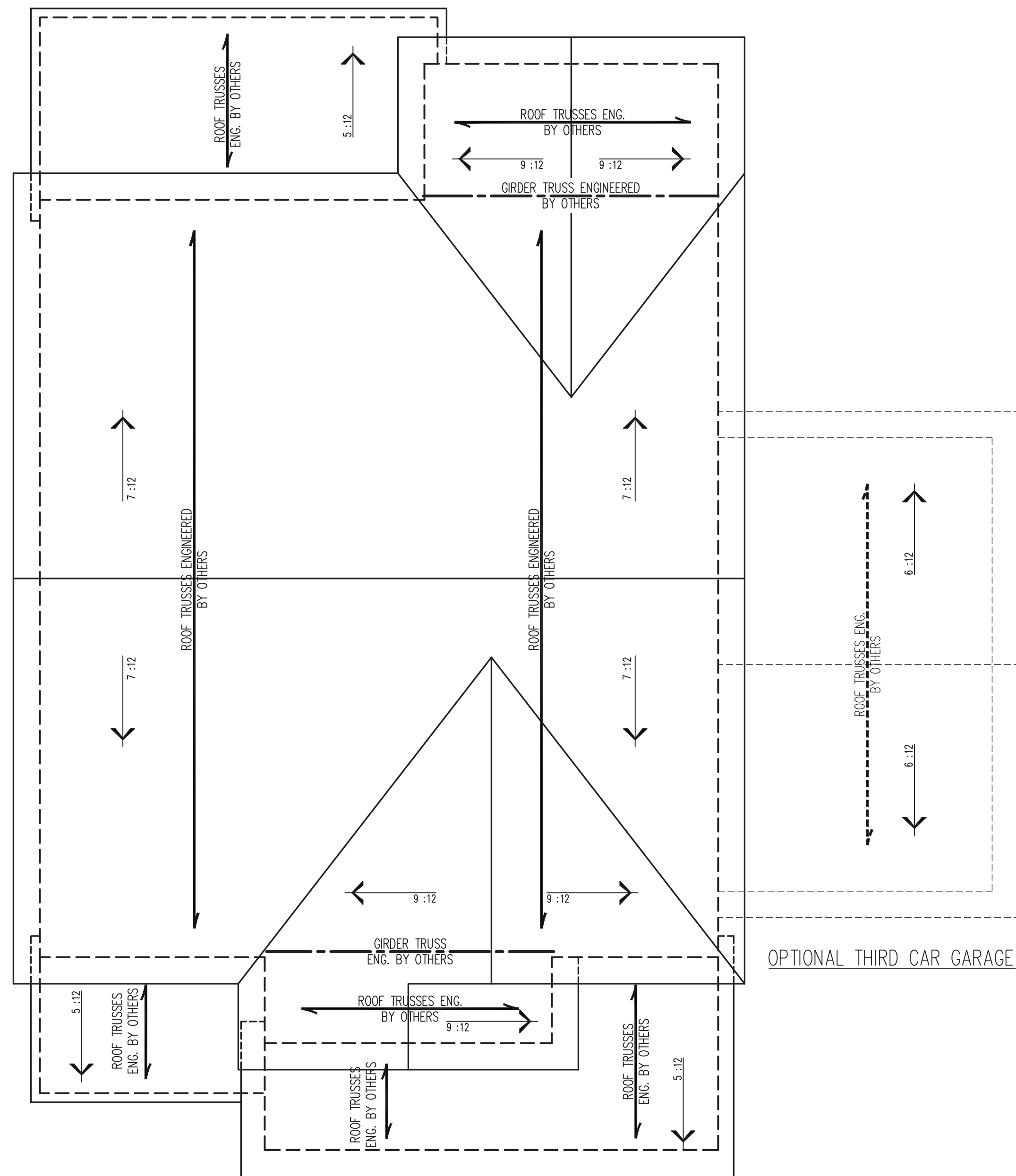
**J.S. THOMPSON
ENGINEERING, INC**
333 EAST SIX FORKS ROAD, SUITE 180 RALEIGH, NC 27609
PHONE: (919) 789-9919 FAX: (919) 789-9921
N.C. LICENSE NO.: C-1733

HAMEL
ASCOT GROUP



DATE: APRIL 25, 2024
SCALE: 1/4" = 1'-0"
DRAWN BY: NS
ENGINEERED BY: WFB

S-3
ATTIC FLOOR
FRAMING PLAN



- STRUCTURAL NOTES:**
1. ALL FRAMING LUMBER TO BE #2 SPF (UNO).
 2. CIRCLES DENOTE (3) 2 x 4 POSTS FOR ROOF SUPPORT.
 3. FRAME DORMER WALLS ON TOP OF DOUBLE OR TRIPLE RAFTERS.
 4. HIP SPLICES ARE TO BE SPACED A MIN. OF 8'-0". FASTEN MEMBERS WITH THREE ROWS OF 12d NAILS @ 16" O.C. (TYP.)
 5. STICK FRAME OVER-FRAMED ROOF SECTIONS W/ 2 x 8 RIDGES, 2 x 6 RAFTERS @ 16" O.C. AND FLAT 2 x 10 VALLEYS OR USE VALLEY TRUSSES.
 6. FASTEN FLAT VALLEYS TO RAFTERS OR TRUSSES WITH SIMPSON H2.5A HURRICANE TIES @ 32" O.C. MAX. PASS HURRICANE TIES THROUGH NOTCH IN ROOF SHEATHING. EACH RAFTER IS TO BE FASTENED TO THE FLAT VALLEY WITH A MIN. OF (6) 12d TOE NAILS.
 7. REFER TO SECTION R802.11 OF THE 2018 NRC FOR REQUIRED UPLIFT RESISTANCE AT RAFTERS AND TRUSSES.
 8. REFER TO NOTES AND DETAIL SHEETS FOR ADDITIONAL STRUCTURAL INFORMATION.

NOTE: REFER TO ARCHITECTURAL DRAWINGS FOR ROOF PITCHES, PLATE HEIGHTS, DIMENSIONS, OVERHANG WIDTHS, AND ATTIC VENT CALCS.

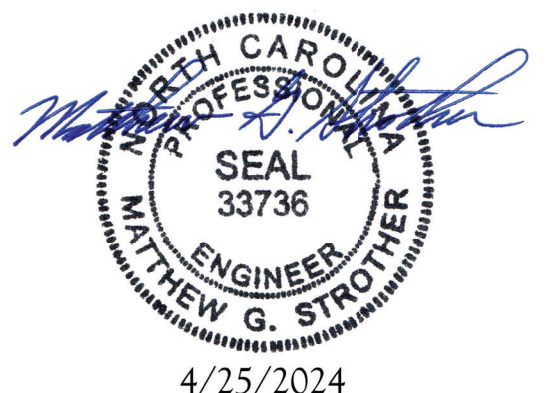
LEGEND

XT	EXTRA TRUSS
TS	TRUSS SUPPORT
XR	EXTRA RAFTER
RS	RAFTER SUPPORT
CONT	CONTINUOUS
EA	EACH
OC	ON CENTER
SPF	SPRUCE PINE FIR
SYP	SOUTHERN YELLOW PINE
TYP	TYPICAL
UNO	UNLESS NOTED OTHERWISE

**J.S. THOMPSON
ENGINEERING, INC**
333 EAST SIX FORKS ROAD, SUITE 180 RALEIGH, NC 27609
PHONE: (919) 7899919 FAX: (919) 7899921
N.C. LICENSE NO.: C-1733

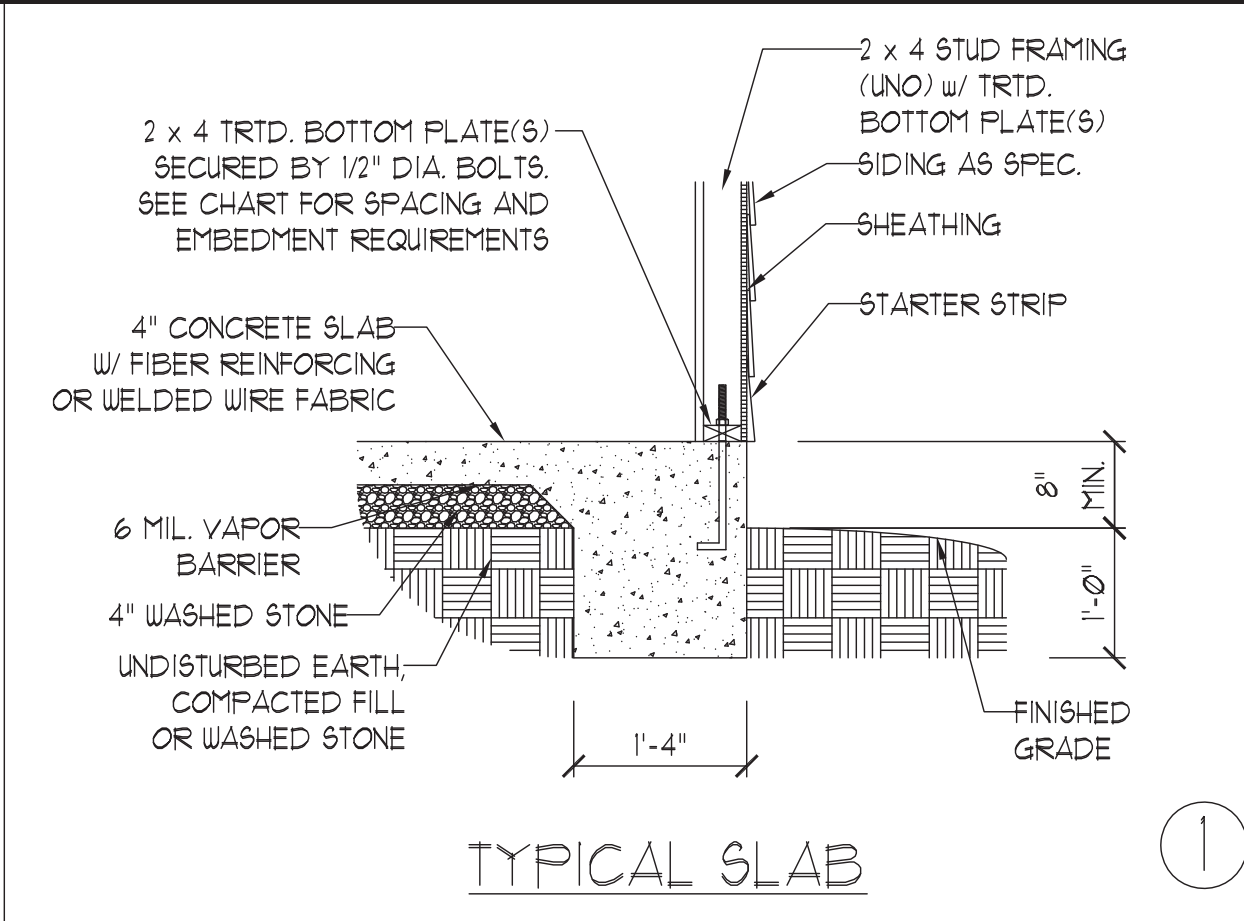
HAMEL
ASCOT GROUP

DATE: APRIL 25, 2024
SCALE: 1/4" = 1'-0"
DRAWN BY: NS
ENGINEERED BY: WFB

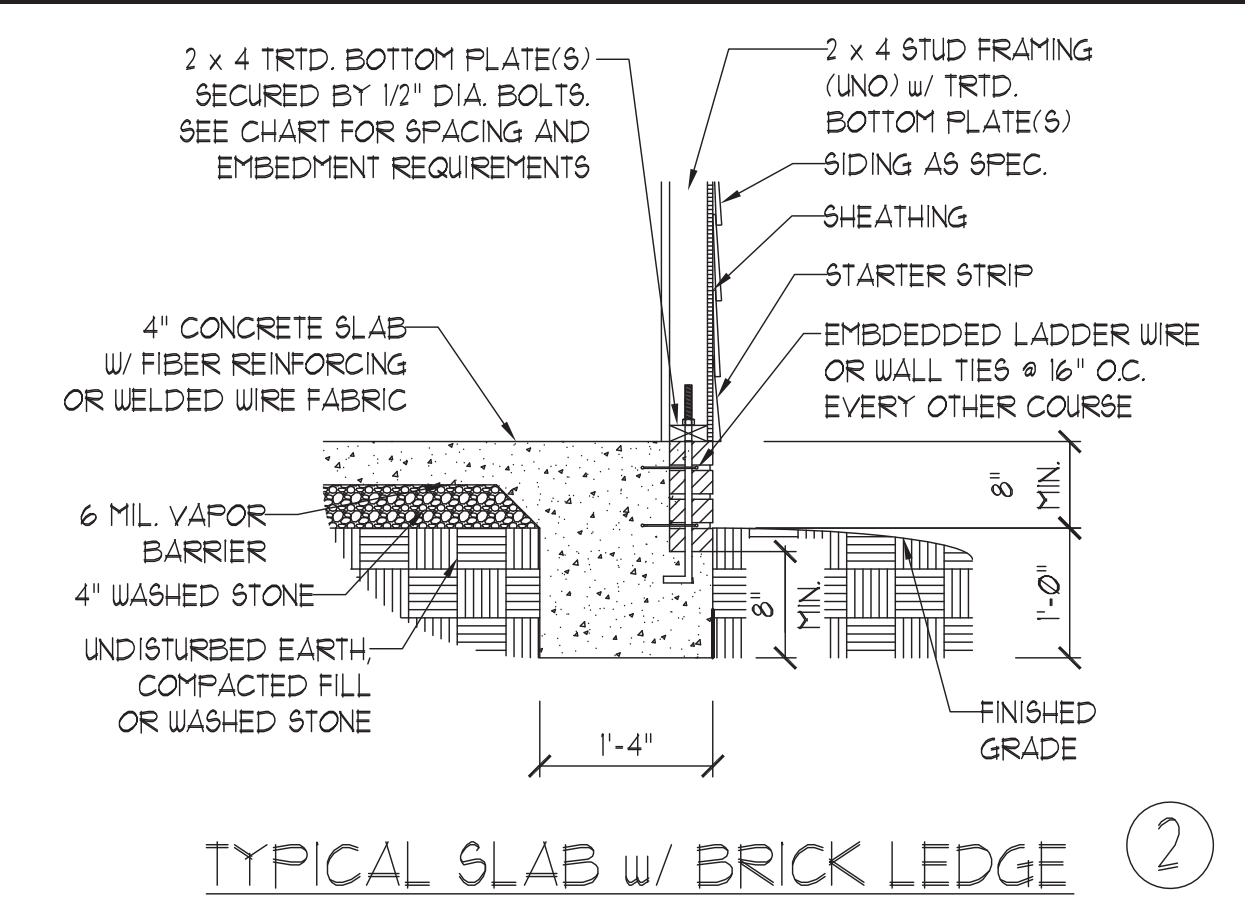


4/25/2024

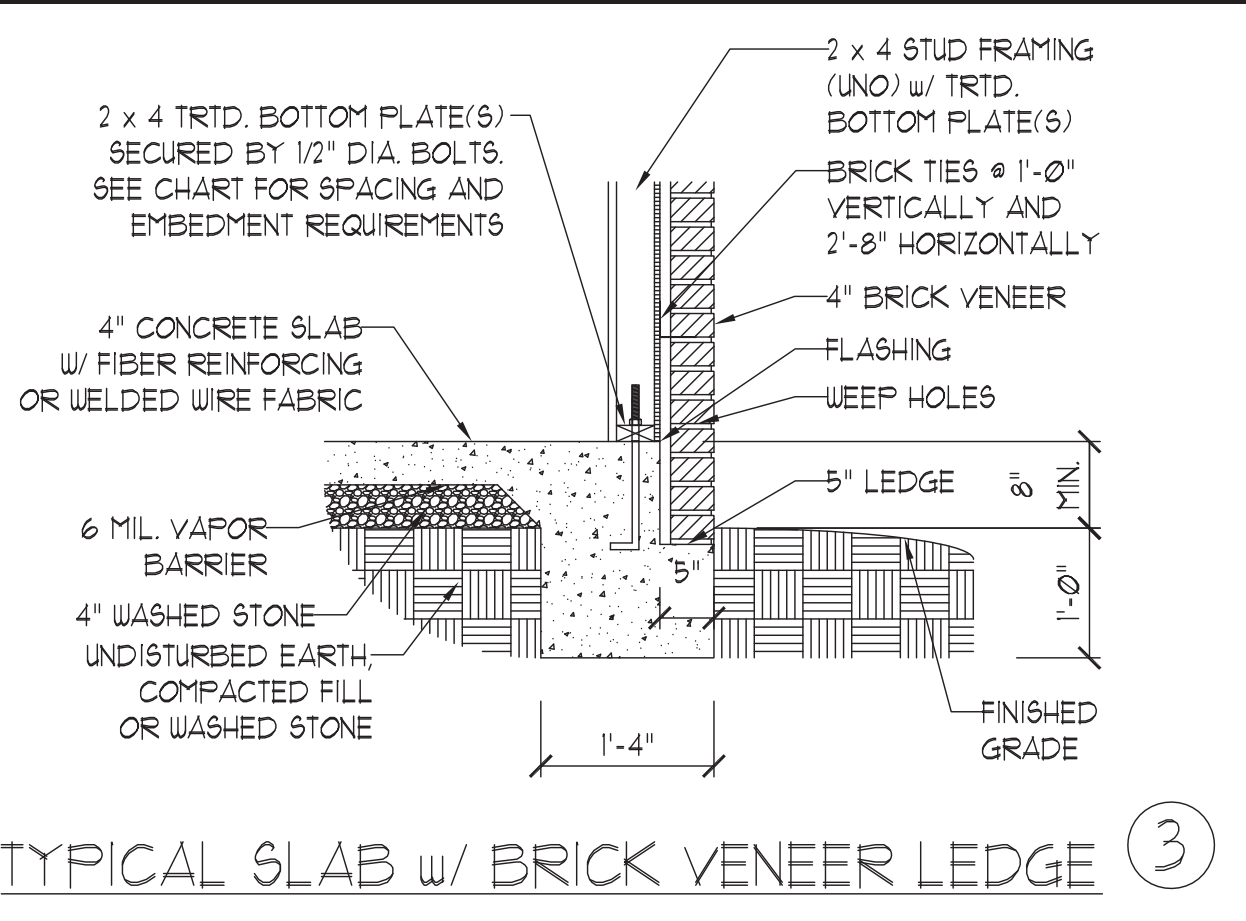
S-4
ROOF FRAMING
PLAN



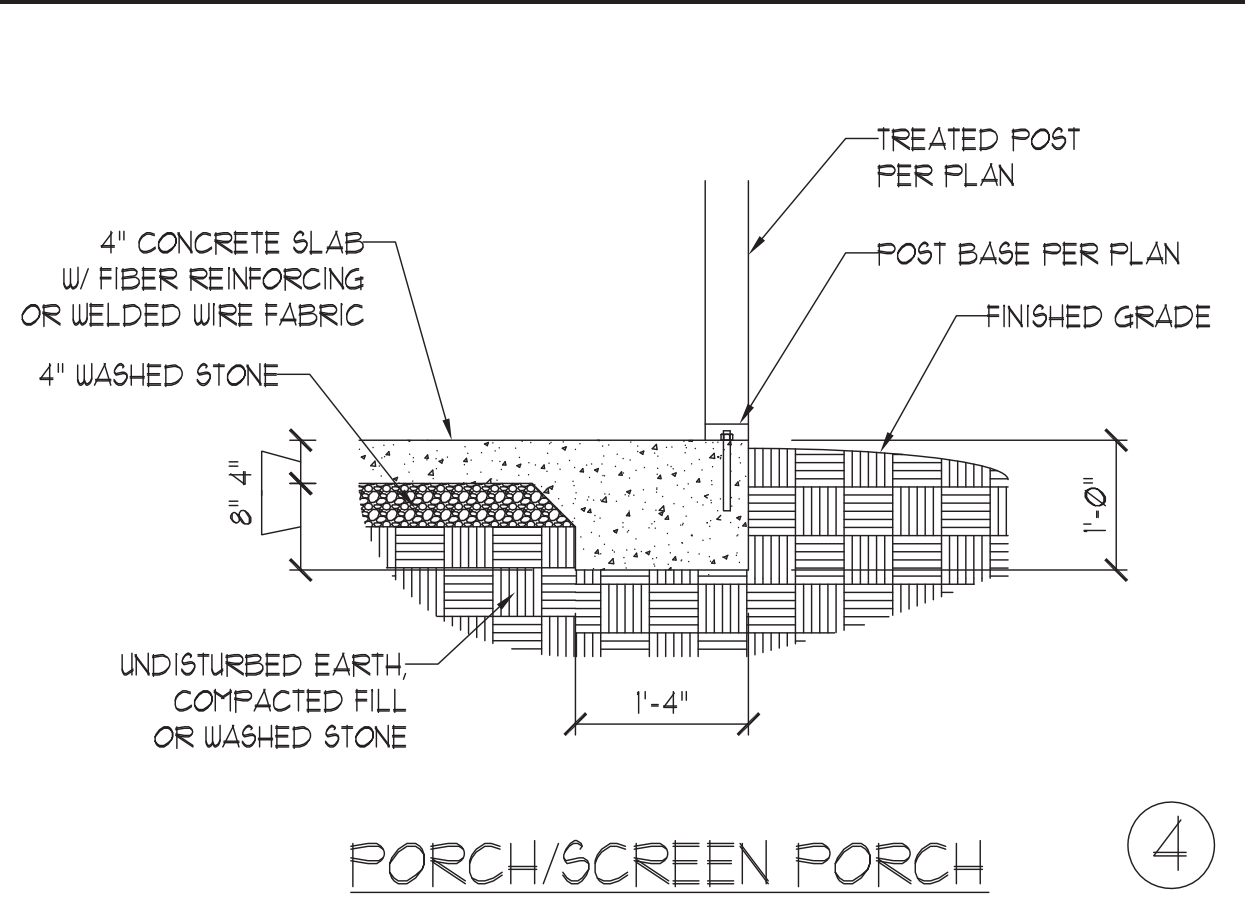
TYPICAL SLAB ①



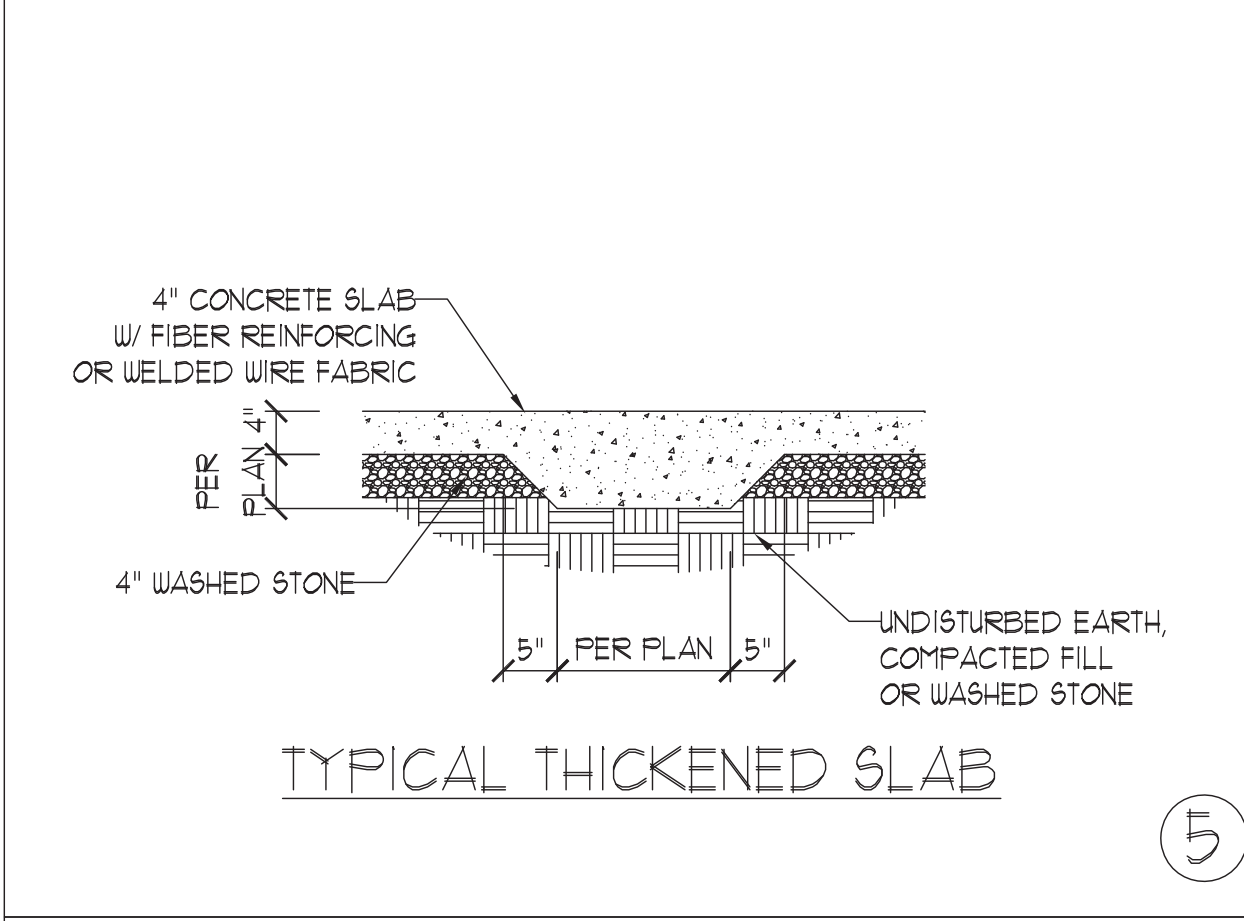
TYPICAL SLAB w/ BRICK LEDGE ②



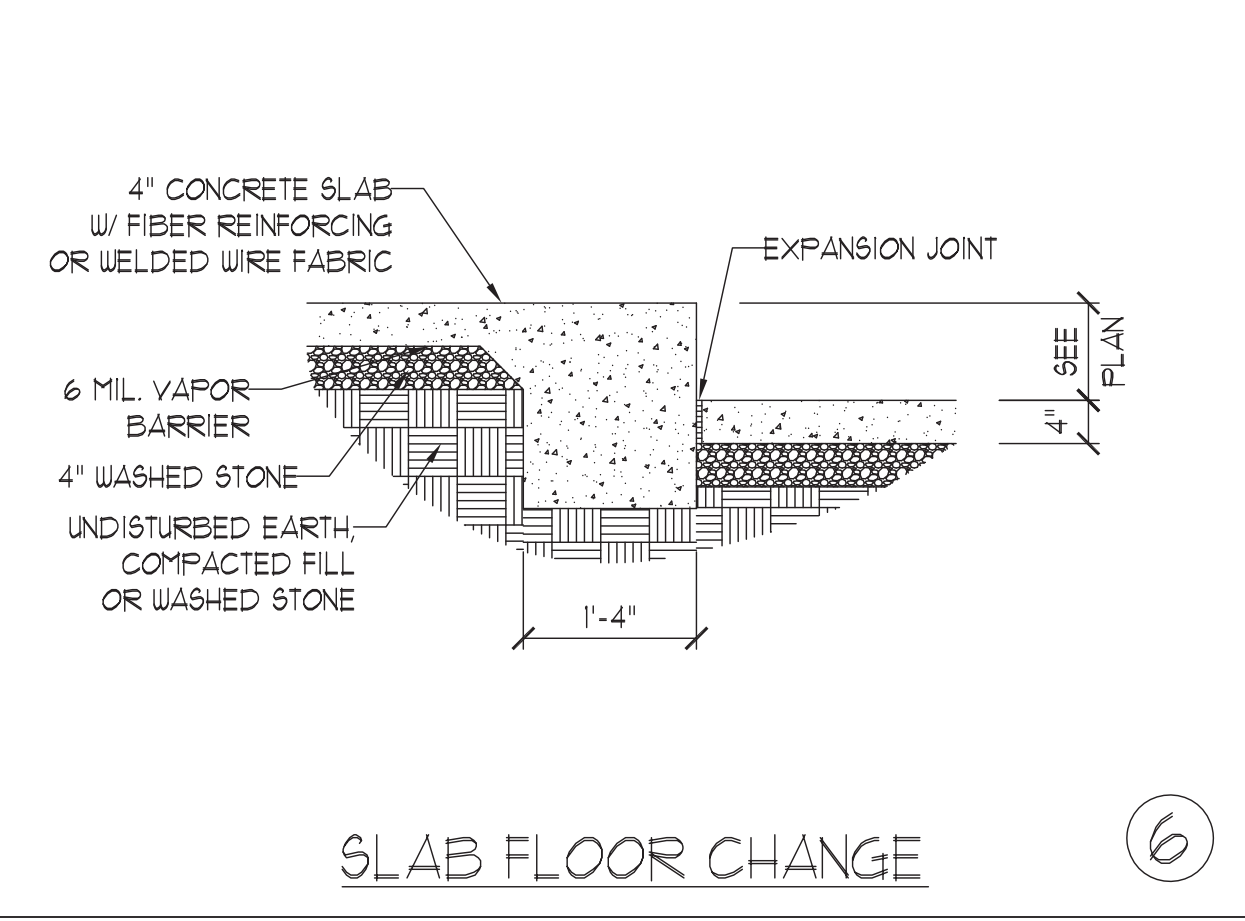
TYPICAL SLAB w/ BRICK VENEER LEDGE ③



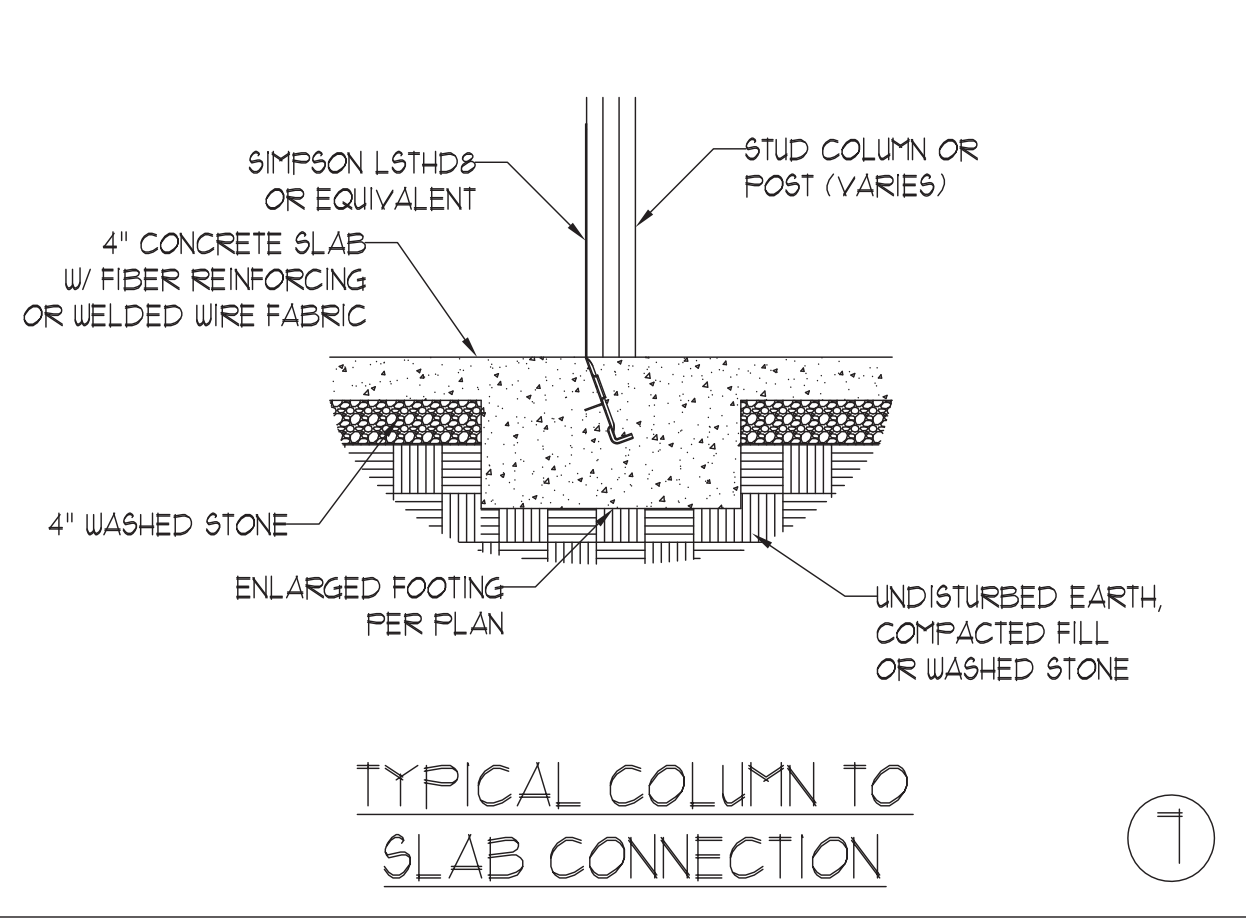
PORCH/SCREEN PORCH ④



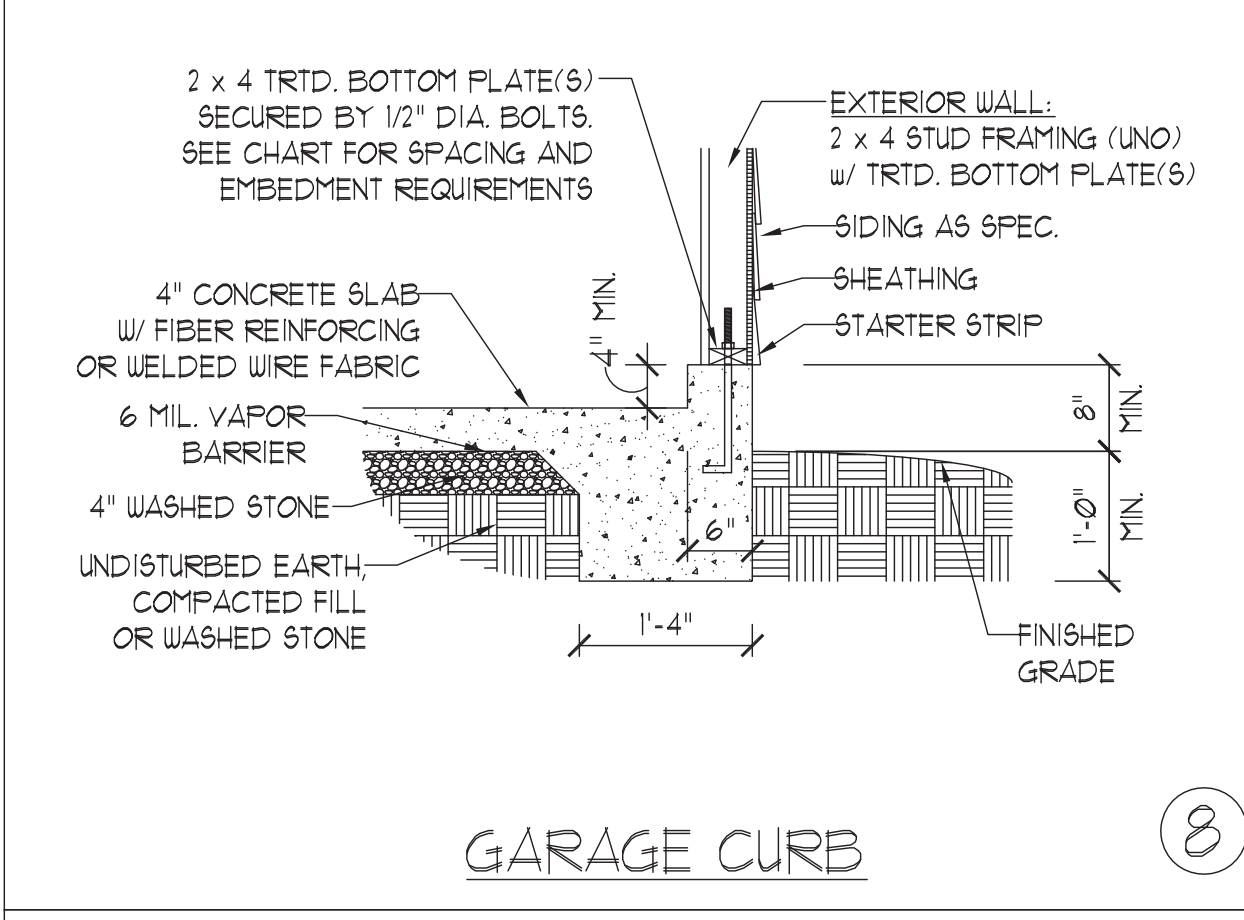
TYPICAL THICKENED SLAB ⑤



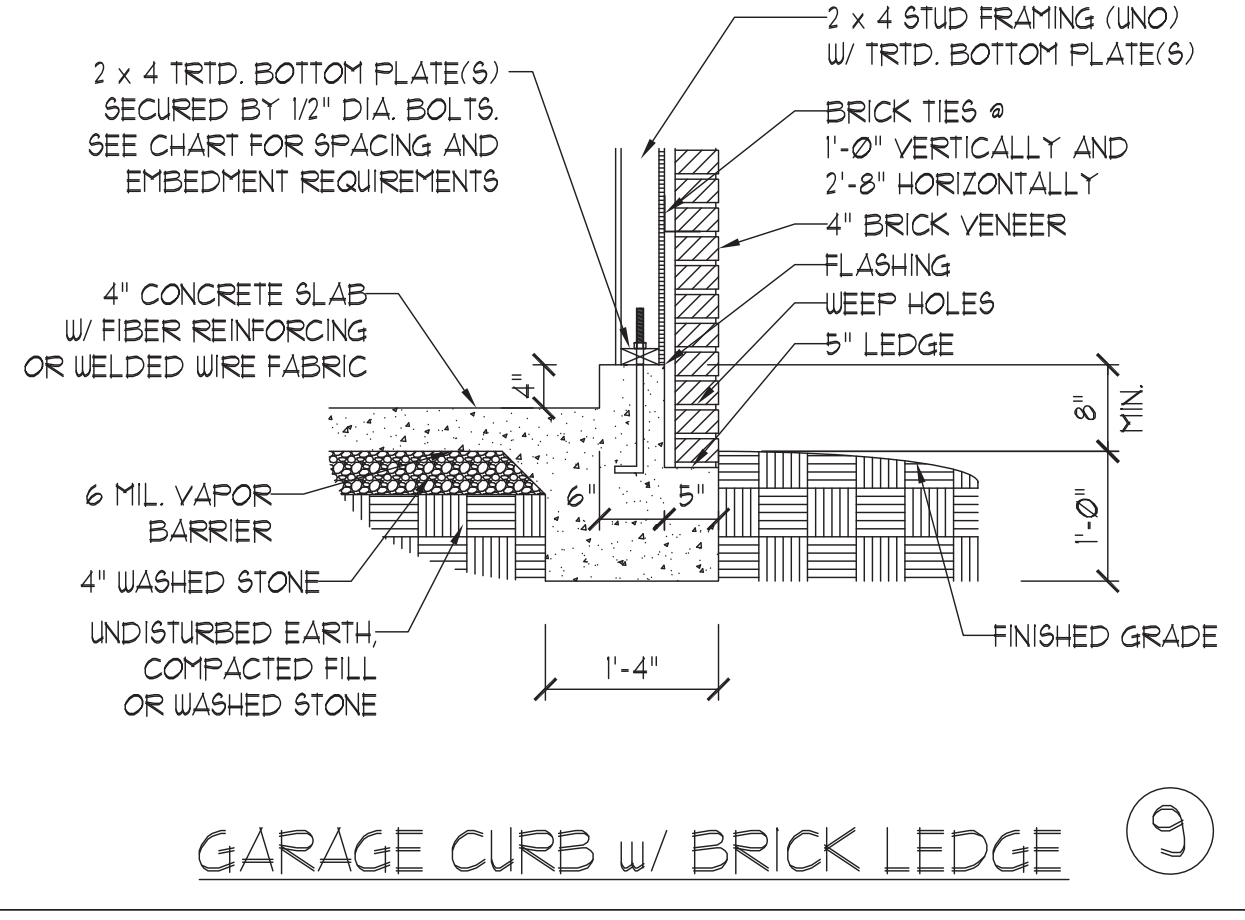
SLAB FLOOR CHANGE ⑥



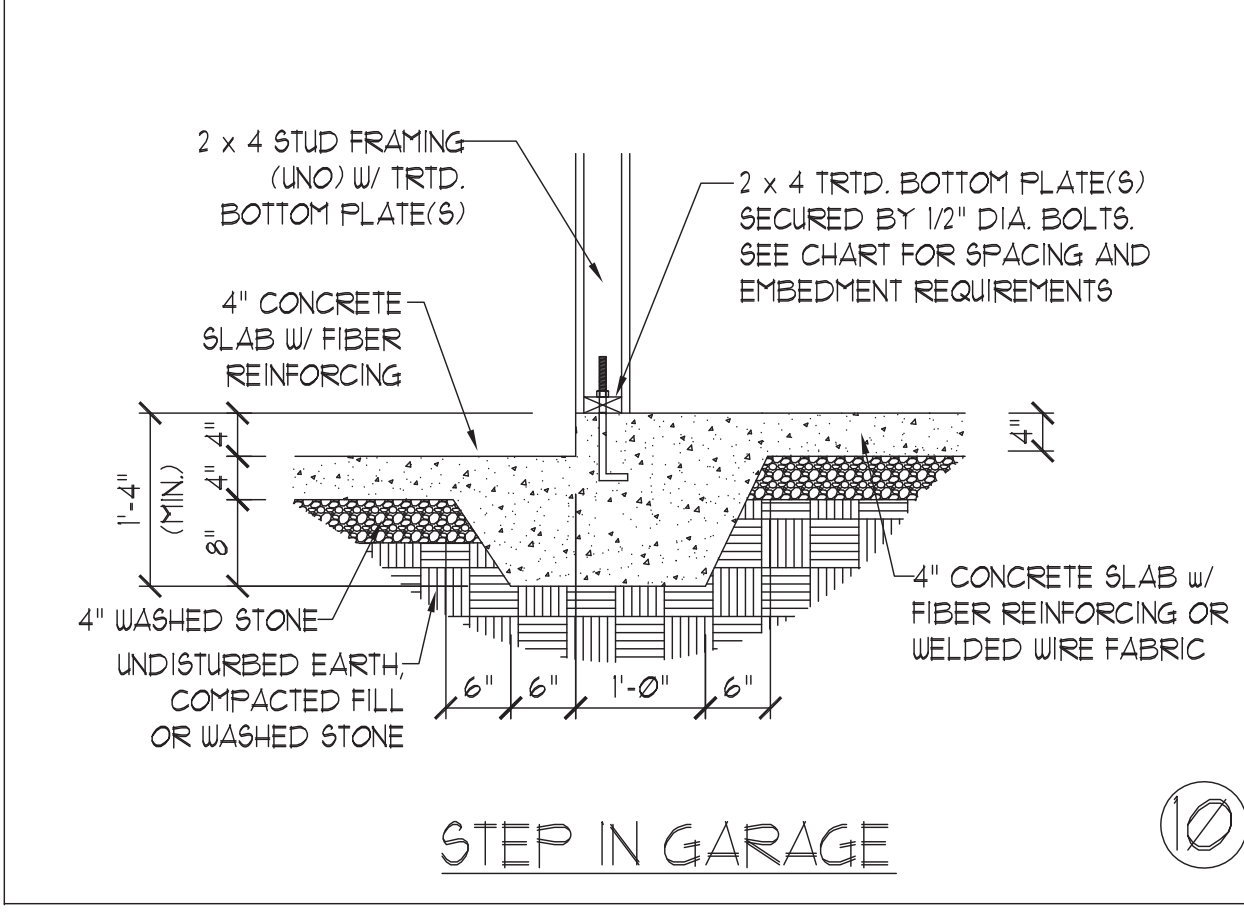
TYPICAL COLUMN TO SLAB CONNECTION ⑦



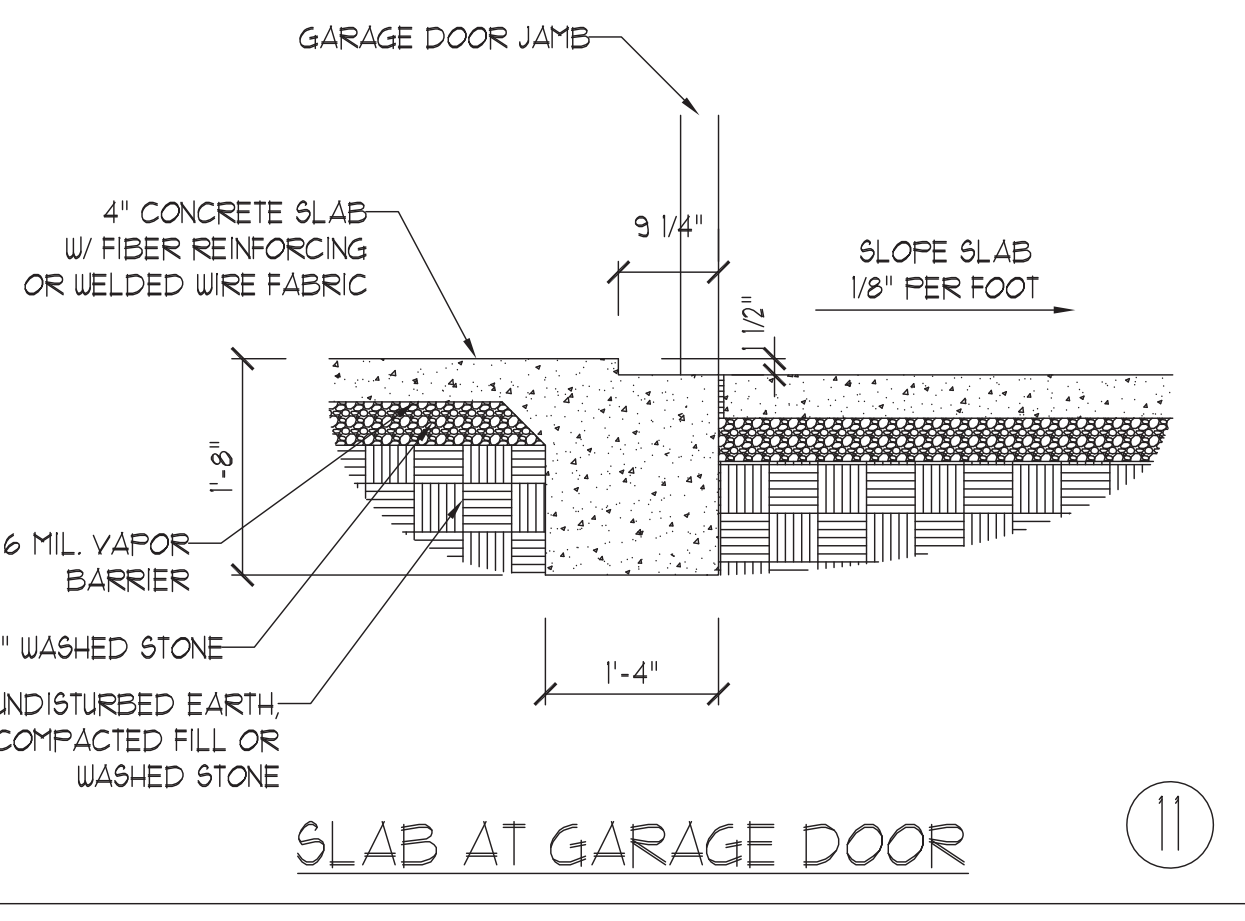
GARAGE CURB ⑧



GARAGE CURB w/ BRICK LEDGE ⑨



STEP IN GARAGE ⑩



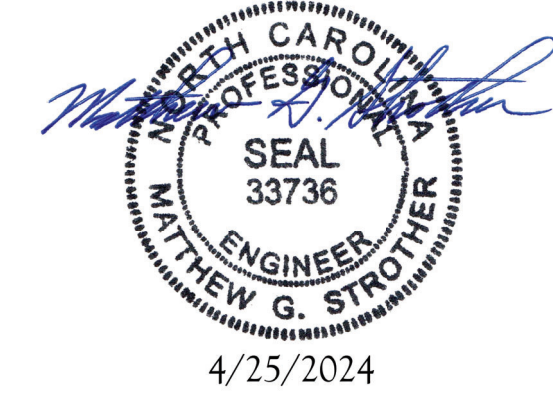
SLAB AT GARAGE DOOR ⑪

ANCHOR SPACING AND EMBEDMENT		
WIND ZONE	120 MPH	130 MPH
SPACING	6'-0" O.C. INSTALL MIN. (2) ANCHORS PER PLATE SECTION AND (1) ANCHOR WITHIN 12" OF CORNERS	4'-0" O.C. INSTALL MIN. (2) ANCHORS PER PLATE SECTION AND (1) ANCHOR WITHIN 12" OF CORNERS
EMBEDMENT	7"	15" INTO MASONRY 7" INTO CONCRETE

NOTE:
THREADED ROD WITH EPOXY, SIMPSON TITEN HD, OR APPROVED ANCHORS SPACED AS REQUIRED TO PROVIDE EQUIVALENT ANCHORAGE TO 1/2" DIAMETER ANCHOR BOLTS MAY BE USED IN LIEU OF 1/2" ANCHOR BOLTS.

J.S. THOMPSON ENGINEERING, INC.
333 EAST SIX FORKS ROAD, SUITE 180 RALEIGH, NC 27609
PHONE: (919) 789-9919 FAX: (919) 789-9921
N.C. LICENSE NO.: C-1733

MONOLITHIC SLAB FOUNDATION DETAILS



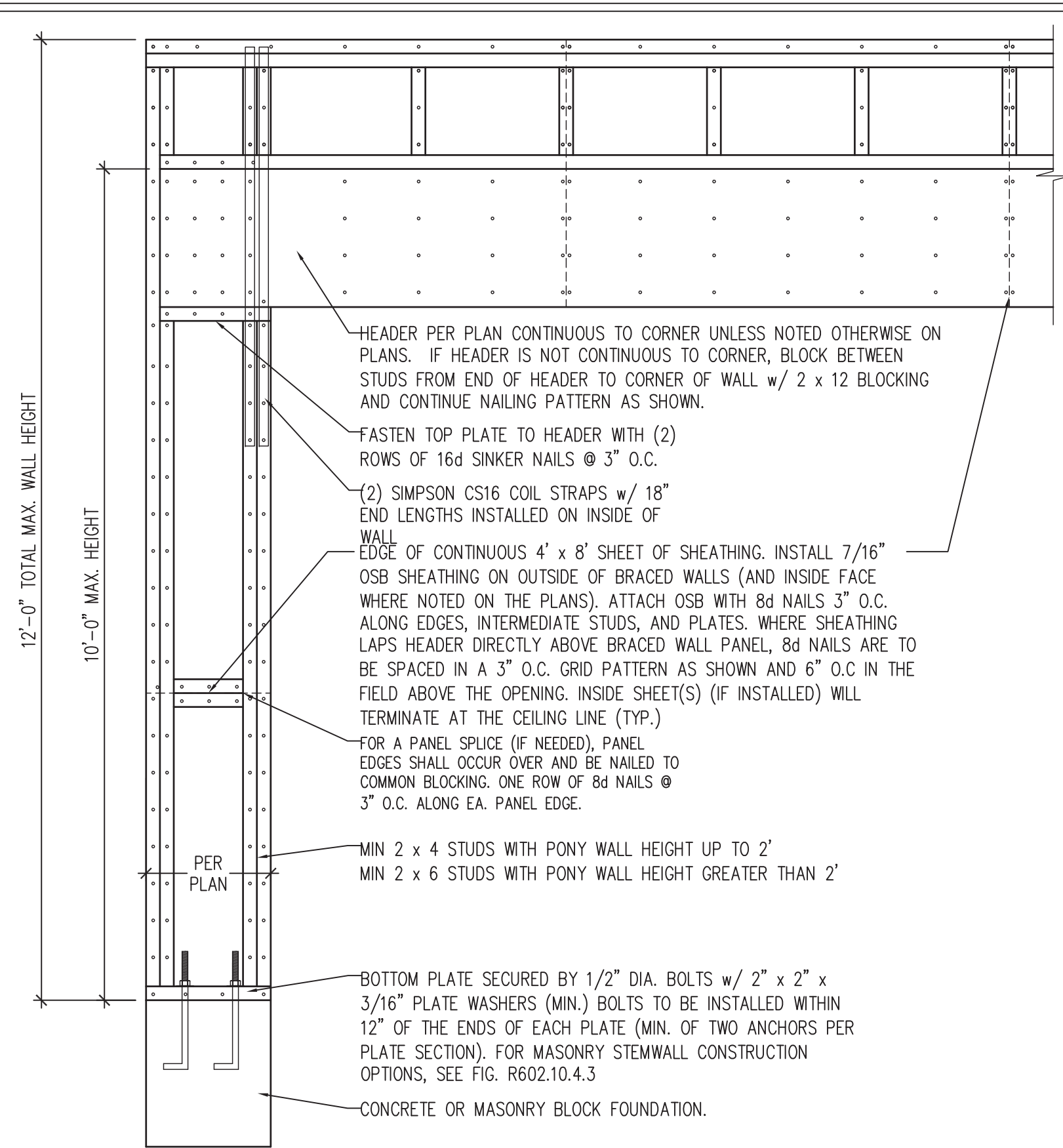
DATE: AUGUST 30, 2022
SCALE: NTS
DRAWN BY: JST
ENGINEERED BY: JST

This sealed page is to be used in conjunction with a full plan set engineered by J.S. Thompson Engineering, Inc. only. Use of this individual sealed page within architectural pages or shop drawings by others is a punishable offense under N.C. Statute § 89C-23

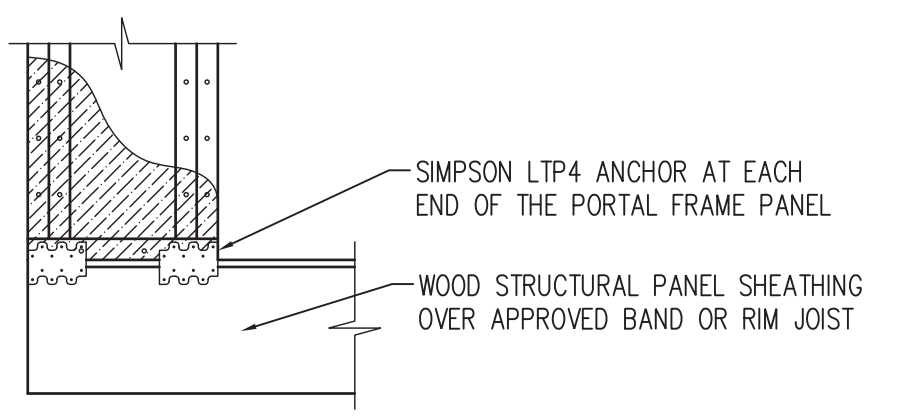
FOUNDATION DETAILS

GENERAL WALL BRACING NOTES:

1. WALL BRACING DESIGNED IN ACCORDANCE WITH CHAPTER 6 OF THE 2018 NC RESIDENTIAL BUILDING CODE (NRC). TABLES AND FIGURES REFERENCED ARE FROM THE 2018 NRC.
2. SEE THIS SHEET FOR GENERAL DETAILS. REFER TO THE 2018 NRC FOR ADDITIONAL INFORMATION AS NEEDED.
3. BRACED EXTERIOR WALLS SUPPORTING ROOF TRUSSES AND RAFTERS, INCLUDING STORIES BELOW THE TOP FLOOR, HAVE BEEN DESIGNED PER R602.3.5 (3). WALL SHEATHING AND FASTENERS HAVE BEEN DESIGNED TO RESIST COMBINED UPLIFT AND SHEAR FORCES IN ACCORDANCE WITH ACCEPTED ENGINEERED PRACTICE.
4. SEE STRUCTURAL SHEETS FOR BRACED WALL LOCATIONS, DIMENSIONS, HOLD DOWN TYPE AND LOCATIONS, BRACED WALL LINE KEY WITH WALL DESIGN SUMMARY OF REQUIRED/PROVIDED TOTALS FOR EACH WALL LINE AND ANY SPECIAL NOTES OR REQUIREMENTS.
5. ALL EXTERIOR WALLS ARE TO BE SHEATHED WITH CS-WSP IN ACCORDANCE WITH SECTION R602.10.3 UNLESS NOTED OTHERWISE.
6. ALL EXTERIOR AND INTERIOR WALLS TO HAVE 1/2" GYPSUM INSTALLED. WHEN NOT USING METHOD "GB", GYPSUM TO BE FASTENED PER TABLE R702.3.5. METHOD GB TO BE FASTENED PER TABLE R602.10.1
7. CS-WSP REFERS TO THE "CONTINUOUS SHEATHING - WOOD STRUCTURAL PANELS" WALL BRACING METHOD. 7/16" OSB SHEATHING IS TO BE INSTALLED ON ALL EXTERIOR WALLS ATTACHED w/ 6d COMMON NAILS OR 8d (2 1/2" LONG x 0.113" DIAMETER) NAILS SPACED 6" O.C. ALONG PANEL EDGES AND 12" O.C. IN THE FIELD (U.N.O.).
8. GB REFERS TO THE "GYPSUM BOARD" WALL BRACING METHOD. 1/2" (MIN.) GYPSUM WALL BOARD IS TO BE INSTALLED ON BOTH SIDES OF THE BRACED WALL FASTENED WITH 1 1/4" SCREWS OR 1 5/8" NAILS SPACED 7" O.C. ALONG PANEL EDGES INCLUDING TOP AND BOTTOM PLATES AND INTERMEDIATE SUPPORTS (U.N.O.). VERIFY ALL FASTENER OPTIONS FOR 1/2" AND 5/8" GYPSUM PRIOR TO CONSTRUCTION. FOR INTERIOR FASTENER OPTIONS SEE TABLE R702.3.5. FOR EXTERIOR FASTENER OPTIONS SEE TABLE R602.3(1). EXTERIOR GB TO BE INSTALLED VERTICALLY.
9. REQUIRED BRACED WALL LENGTH FOR EACH SIDE OF THE CIRCUMSCRIBED RECTANGLE ARE INTERPOLATED PER TABLE R602.10.3. METHOD CS-WSP CONTRIBUTES ITS ACTUAL LENGTH, METHOD GB CONTRIBUTES .5 ITS ACTUAL LENGTH, AND METHOD PF CONTRIBUTES 1.5 TIMES ITS ACTUAL LENGTH.



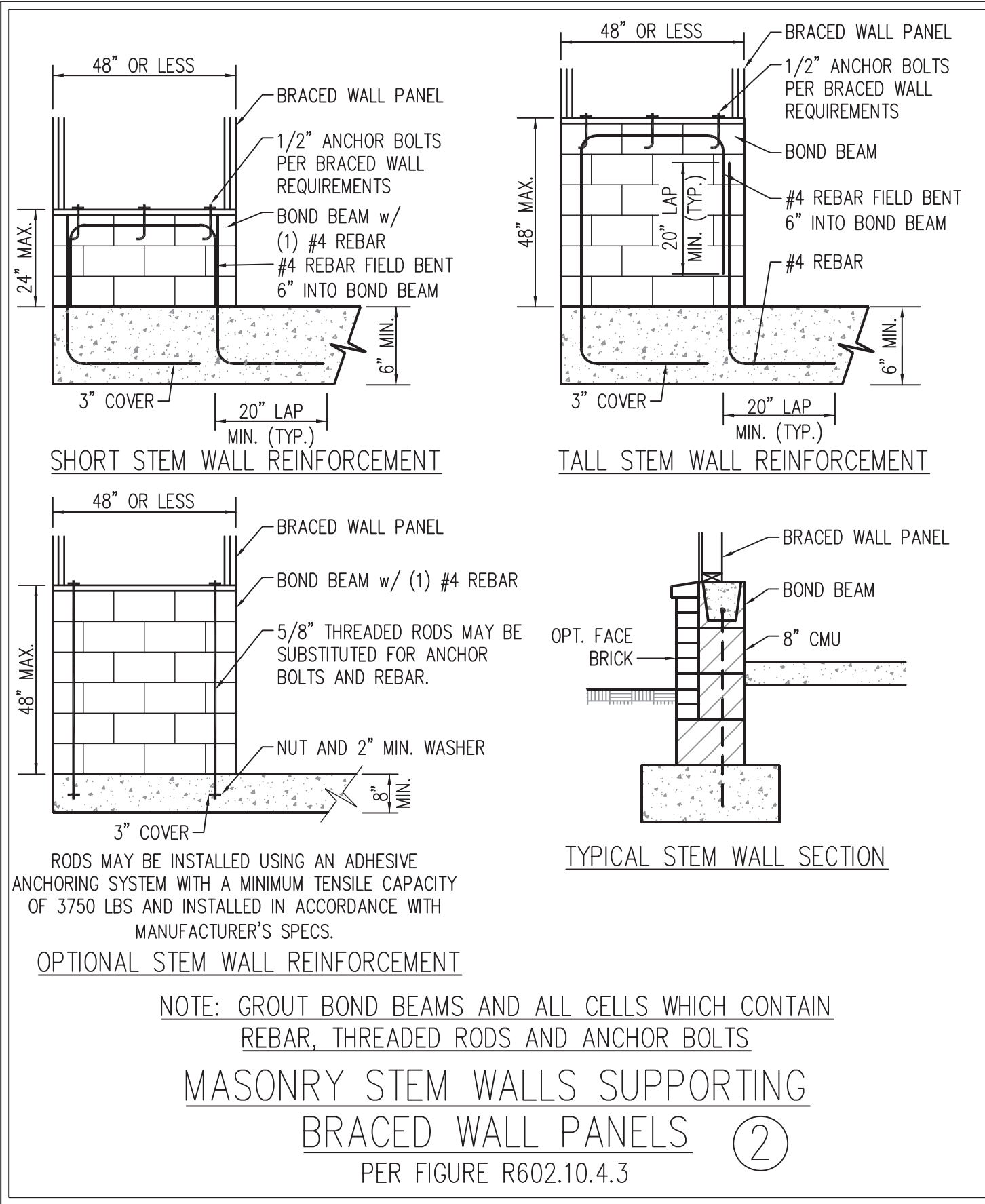
OVER CONCRETE OR MASONRY BLOCK FOUNDATION



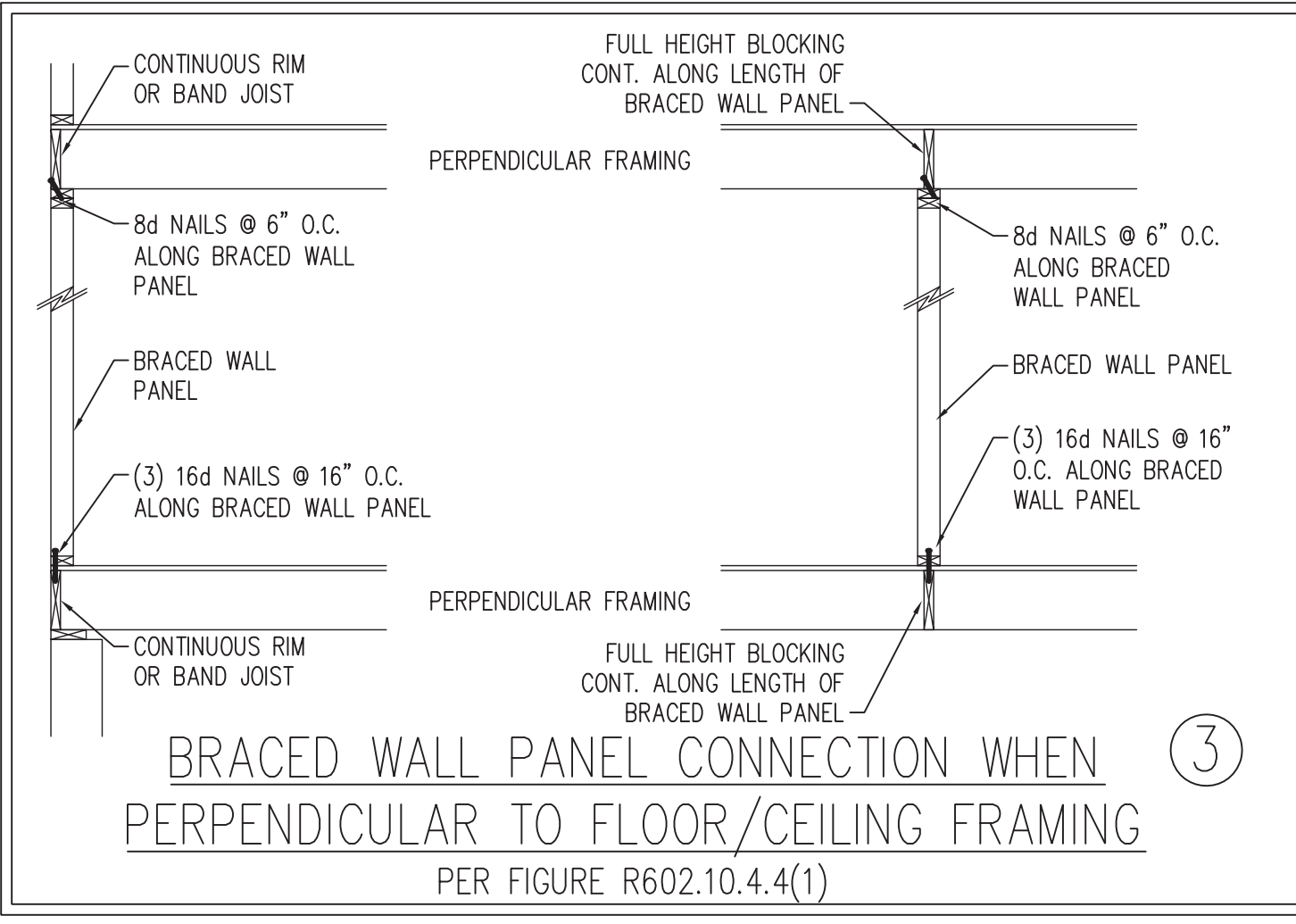
OVER RAISED WOOD FLOOR - FRAMING ANCHOR OPTION

* APPLICABLE w/ GREATER THAN 12" KNEE WALL HEIGHTS IN CRAWL SPACE AND ABOVE FRAMED BASEMENT WALLS *

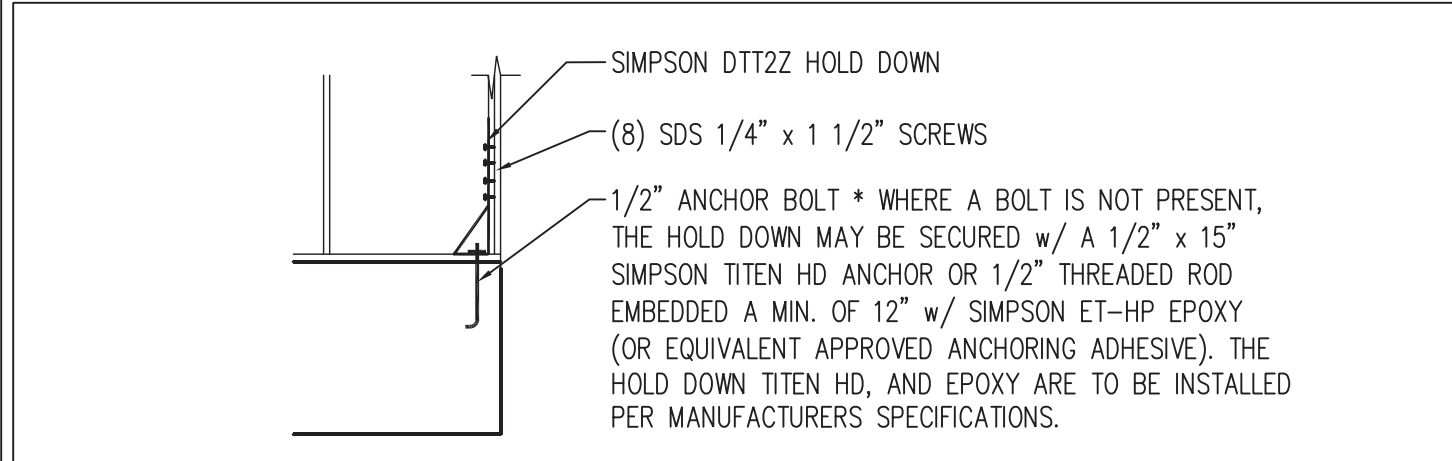
METHOD PF-PORTAL FRAME DETAIL ①



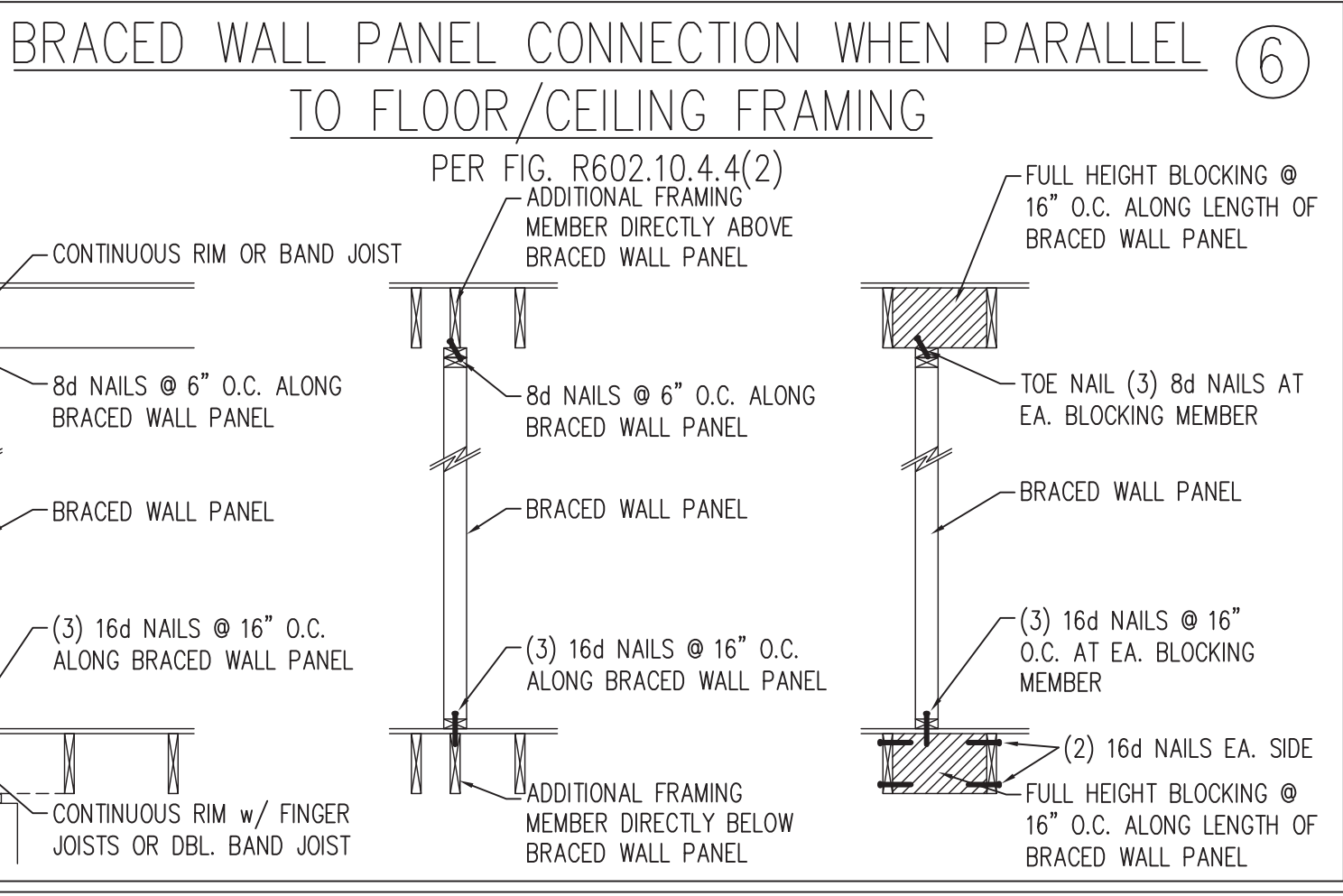
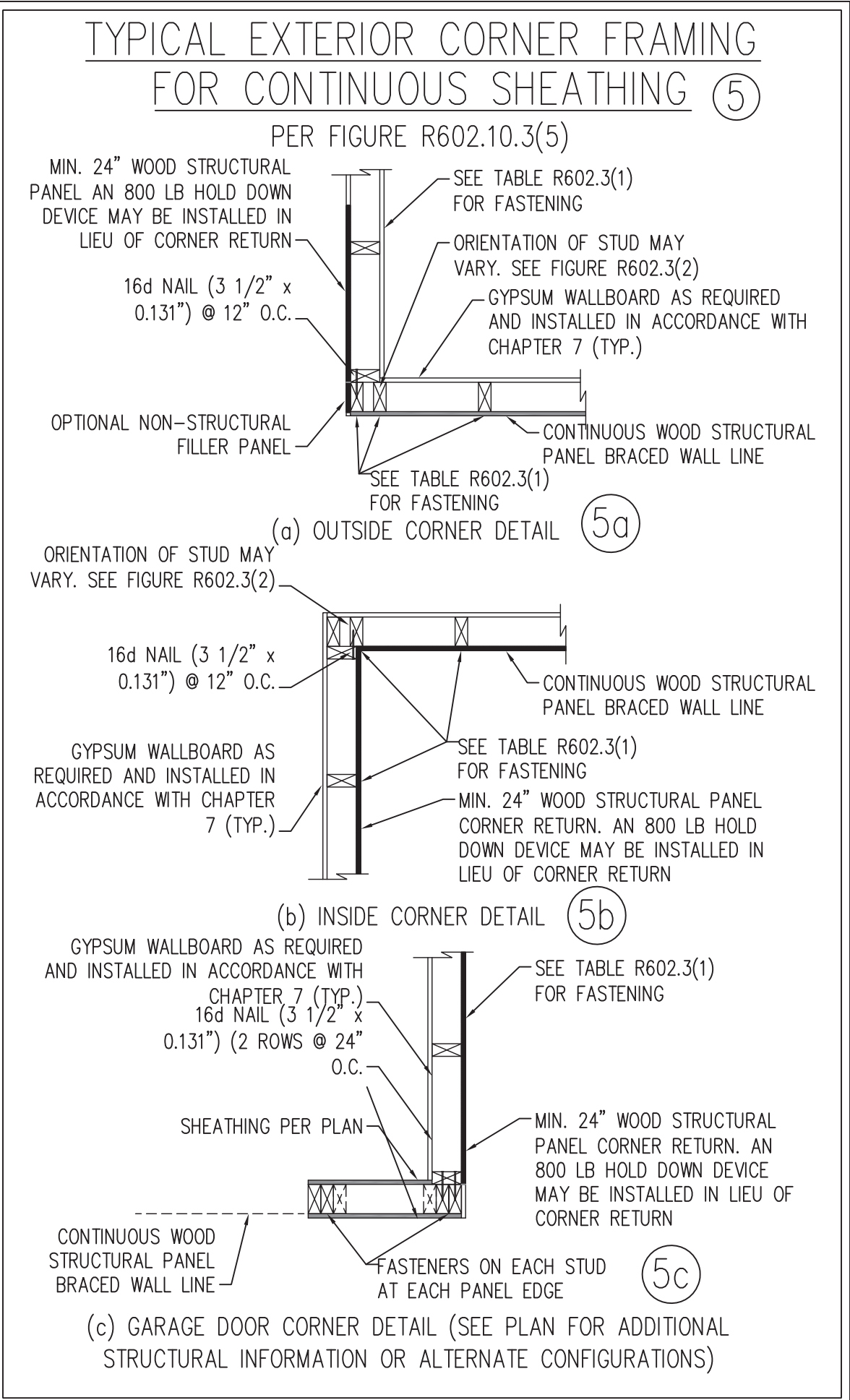
MASONRY STEM WALLS SUPPORTING BRACED WALL PANELS ②
PER FIGURE R602.10.4.3



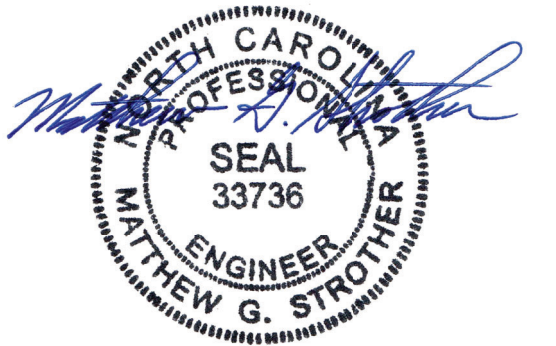
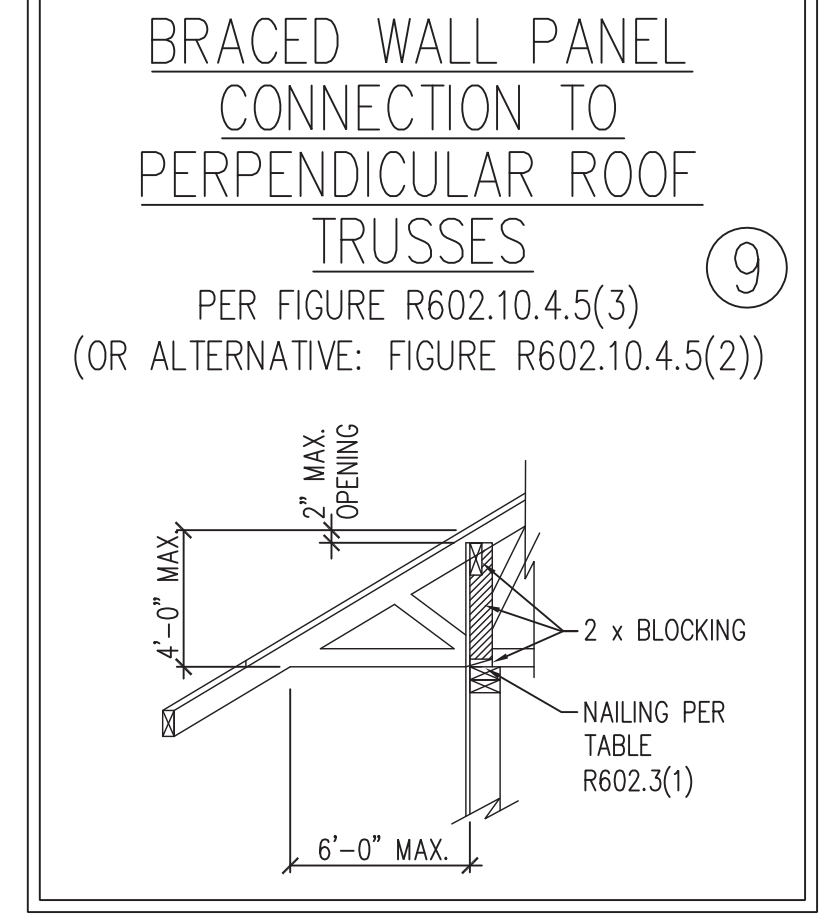
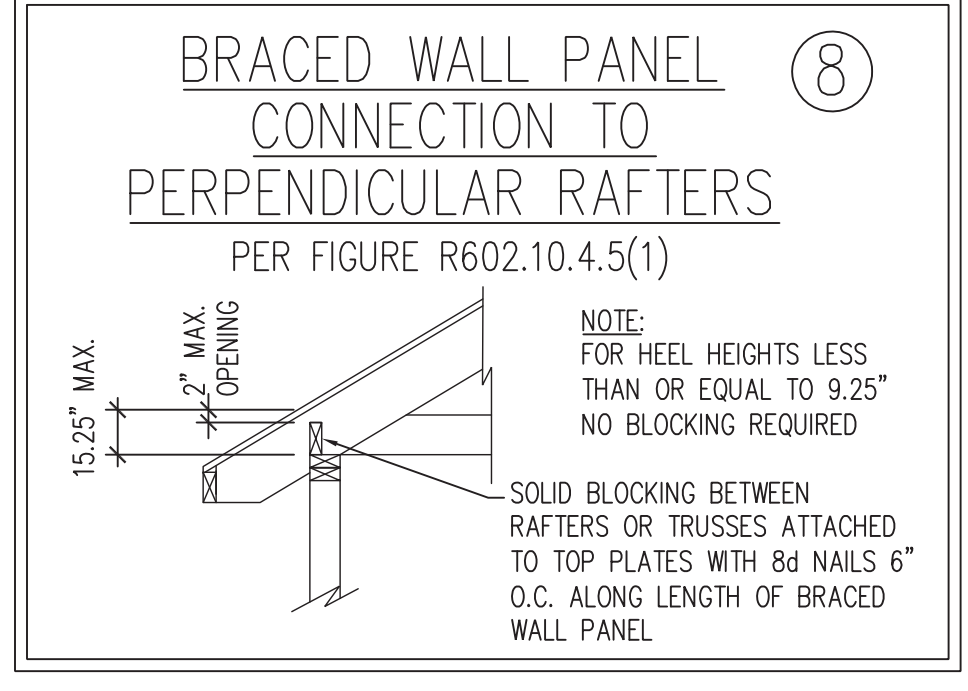
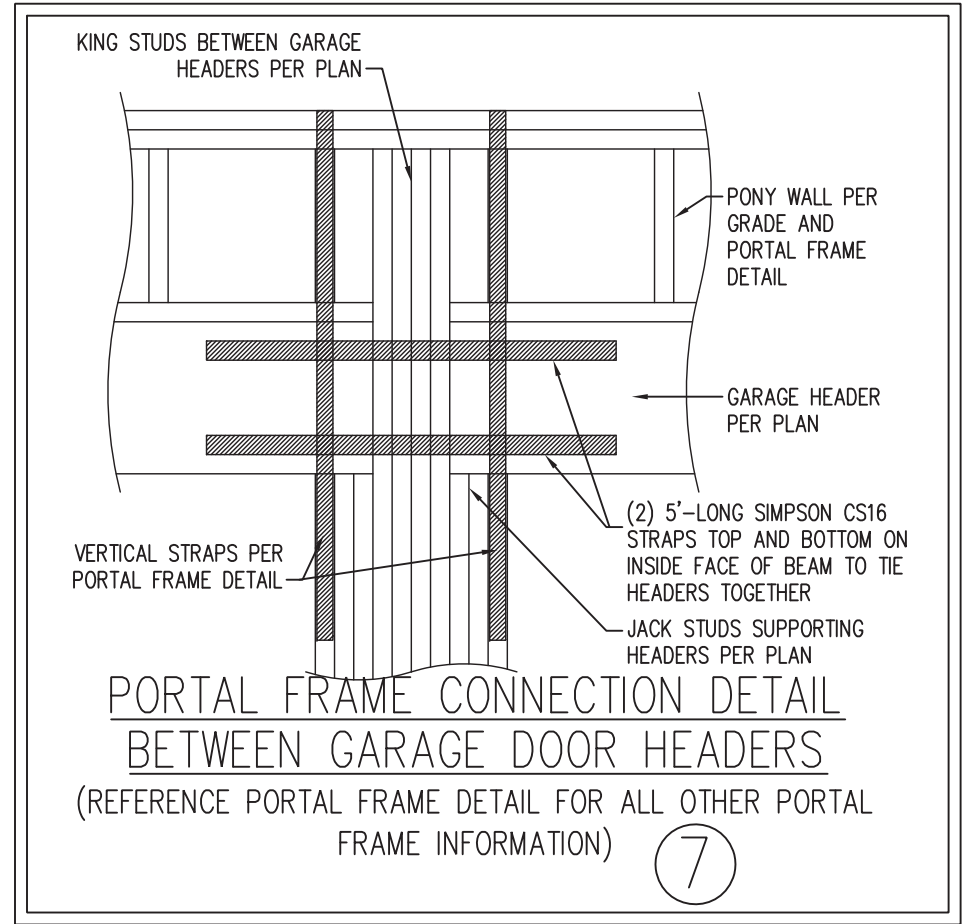
BRACED WALL PANEL CONNECTION WHEN PERPENDICULAR TO FLOOR/CEILING FRAMING ③
PER FIGURE R602.10.4.4(1)



HOLD DOWN DETAIL FOR MASONRY FOUNDATION OR MONOLITHIC SLAB ④
* APPLICABLE ONLY WHERE SPECIFIED ON PLAN *



This sealed page is to be used in conjunction with a full plan set engineered by J.S. Thompson Engineering, Inc. only. Use of this individual sealed page within architectural pages or shop drawings by others is a punishable offense under N.C. Statute § 89C-23



4/25/2024

J.S. THOMPSON ENGINEERING, INC.
33 EAST SIOUX ROAD, SUITE 101 RALEIGH, NC 27609
PHONE: (919) 799-9191 FAX: (919) 799-9211
N.C. LICENSE NO. C-1713

WALL BRACING NOTES AND DETAILS

DATE: AUGUST 30, 2022
SCALE: 1/4" = 1'-0"
DRAWN BY: JST
ENGINEERED BY: JST

BRACED WALL NOTES AND DETAILS AND PF DETAIL

GENERAL NOTES

- ENGINEER'S SEAL APPLIES ONLY TO STRUCTURAL COMPONENTS INCLUDING ROOF RAFTERS, HIPPS, VALLEYS, RIDGES, FLOORS, WALLS, BEAMS, HEADERS, COLUMNS, CANTILEVERS, OFFSET LOAD BEARING WALLS, PIERS, GIRDER SYSTEM AND FOOTING. ENGINEER'S SEAL DOES NOT CERTIFY DIMENSIONAL ACCURACY OF ARCHITECTURAL LAYOUT INCLUDING ROOF. ENGINEER'S SEAL DOES NOT APPLY TO I-JOIST OR FLOOR/ROOF TRUSS LAYOUT DESIGN AND ACCURACY.
- ALL CONSTRUCTION SHALL CONFORM TO THE LATEST REQUIREMENTS OF THE NORTH CAROLINA RESIDENTIAL CODE (NRC), 2018 EDITION, PLUS ALL LOCAL CODES AND REGULATIONS. THE STRUCTURAL ENGINEER IS NOT RESPONSIBLE FOR, AND WILL NOT HAVE CONTROL OF, CONSTRUCTION MEANS, METHODS, TECHNIQUES, SEQUENCES OR PROCEDURES, OR SAFETY PRECAUTIONS AND PROGRAMS IN CONNECTION WITH THE CONSTRUCTION WORK. NOR WILL THE ENGINEER BE RESPONSIBLE FOR THE CONTRACTORS FAILURE TO CARRY OUT THE CONSTRUCTION WORK IN ACCORDANCE WITH THE CONTRACT DOCUMENTS.

- STRUCTURAL DESIGN BASED ON THE PROVISIONS OF THE NRC, 2018 EDITION (R301.4 - R301.7)

DESIGN CRITERIA:	LIVE LOAD (PSF)	DEAD LOAD (PSF)	DEFLECTION (IN)
ATTIC WITH LIMITED STORAGE	20	10	L/240 (L/360 w/ BRITTLE FINISHES)
ATTIC WITHOUT STORAGE	10	10	L/360
DECKS	40	10	L/360
EXTERIOR BALCONIES	40	10	L/360
FIRE ESCAPES	40	10	L/360
HANDRAILS/GUARDRAILS	200	10	L/360
PASSENGER VEHICLE GARAGE	50	10	L/360
ROOMS OTHER THAN SLEEPING ROOM	40	10	L/360
SLEEPING ROOMS	30	10	L/360
STAIRS	40	10	L/360
WIND LOAD	(BASED ON TABLE R301.2(4) WIND ZONE AND EXPOSURE)		
GROUND SNOW LOAD: P _g	20 (PSF)		

- I-JOIST SYSTEMS DESIGNED WITH 12 PSF DEAD LOAD AND DEFLECTION (IN) OF L/480
- FLOOR TRUSS SYSTEMS DESIGNED WITH 15 PSF DEAD LOAD

- FOR 115 AND 120 MPH WIND ZONES, FOUNDATION ANCHORAGE IS TO COMPLY WITH SECTION R403.1.6 OF THE NRC, 2018 EDITION. FOR 130 MPH, 140 MPH, AND 150 MPH WIND ZONES, FOUNDATION ANCHORAGE IS TO COMPLY WITH SECTION 4504 OF THE NRC, 2018 EDITION.
- ENERGY EFFICIENCY COMPLIANCE AND INSULATION VALUES OF THE BUILDING TO BE IN ACCORDANCE WITH CHAPTER 11 OF THE NRC, 2018 EDITION.

FOOTING AND FOUNDATION NOTES

- FOUNDATION DESIGN BASED ON A MINIMUM ALLOWABLE BEARING CAPACITY OF 2000 PSF. CONTACT GEOTECHNICAL ENGINEER IF BEARING CAPACITY IS NOT ACHIEVED.
- FOR ALL CONCRETE SLABS AND FOOTINGS, THE AREA WITHIN THE PERIMETER OF THE BUILDING ENVELOPE SHALL HAVE ALL VEGETATION, TOP SOIL AND FOREIGN MATERIAL REMOVED. FILL MATERIAL SHALL BE FREE OF VEGETATION AND FOREIGN MATERIAL. THE FILL SHALL BE COMPACTED TO ASSURE UNIFORM SUPPORT OF THE SLAB, AND EXCEPT WHERE APPROVED, THE FILL DEPTHS SHALL NOT EXCEED 24" FOR CLEAN SAND OR GRAVEL. A 4" THICK BASED COURSE CONSISTING OF CLEAN GRADED SAND OR GRAVEL SHALL BE PLACED. A BASE COURSE IS NOT REQUIRED WHERE A CONCRETE SLAB IS INSTALLED ON WELL-DRAINED OR SAND-GRAVEL MIXTURE SOILS CLASSIFIED AS GROUP 1, ACCORDING TO THE UNITED SOIL CLASSIFICATION SYSTEM IN ACCORDANCE WITH TABLE R405.1 OF THE NRC, 2018 EDITION.
- PROPERLY DEWATER EXCAVATION PRIOR TO POURING CONCRETE WHEN BOTTOM OF CONCRETE SLAB IS AT OR BELOW WATER TABLE. IF APPLICABLE, 3/4" - 1" DEEP CONTROL JOINTS ARE TO BE SAWS WITHIN 4 TO 12 HOURS OF CONCRETE FINISHING AND WALL LOCATIONS HAVE BEEN MARKED. ADJUST WHERE NECESSARY.
- CONCRETE SHALL CONFORM TO SECTION R402.2 OF THE NRC, 2018 EDITION. CONCRETE REINFORCING STEEL TO BE ASTM A615 GRADE 60. WELDED WIRE FABRIC TO BE ASTM A185. MAINTAIN A MINIMUM CONCRETE COVER AROUND REINFORCING STEEL OF 3" IN FOOTINGS AND 1 1/2" IN SLABS. FOR POURED CONCRETE WALLS, CONCRETE COVER FOR REINFORCING STEEL MEASURED FROM THE INSIDE FACE OF THE WALL SHALL NOT BE LESS THAN 3/4". CONCRETE COVER FOR REINFORCING STEEL MEASURED FROM THE OUTSIDE FACE OF THE WALL SHALL NOT BE LESS THAN 1 1/2" FOR #5 BARS OR SMALLER, AND NOT LESS THAN 2" FOR #6 BARS OR LARGER.
- MASONRY UNITS TO CONFORM TO ACE 530/ASCE 5/TMS 402. MORTAR SHALL CONFORM TO ASTM C270.
- THE UNSUPPORTED HEIGHT OF MASONRY PIERS SHALL NOT EXCEED FOUR TIMES THEIR LEAST DIMENSION FOR UNFILLED HOLLOW CONCRETE MASONRY UNITS AND TEN TIMES THEIR LEAST DIMENSION FOR SOLID OR SOLID FILLED PIERS. PIERS MAY BE FILLED SOLID WITH CONCRETE OR TYPE M OR S MORTAR. PIERS AND WALLS SHALL BE CAPPED WITH 8" OF SOLID MASONRY.
- THE CENTER OF EACH OF THE PIERS SHALL BEAR IN THE MIDDLE THIRD OF ITS RESPECTIVE FOOTING. EACH GIRDER SHALL BEAR IN THE MIDDLE THIRD OF THE PIERS.
- ALL CONCRETE AND MASONRY FOUNDATION WALLS ARE TO BE CONSTRUCTED IN ACCORDANCE WITH THE PROVISIONS OF SECTION R404 OF THE NRC, 2018 EDITION OR IN ACCORDANCE WITH ACI 318, ACI 332, NCMA TR68-A OR ACE 530/ASCE 5/TMS 402. MASONRY FOUNDATION WALLS ARE TO BE REINFORCED PER TABLE R404.1.1(1), R404.1.1(2), R404.1.1(3), OR R404.1.1(4) OF THE NRC, 2018 EDITION. CONCRETE FOUNDATION WALLS ARE TO BE REINFORCED PER TABLE R404.1.1(5) OF THE NRC, 2018 EDITION. STEP CONCRETE FOUNDATION WALLS TO 2 x 6 FRAMED WALLS AT 16" O.C. WHERE GRADE PERMITS (UNO).

This sealed page is to be used in conjunction with a full plan set engineered by J.S. Thompson Engineering, Inc. only. Use of this individual sealed page within architectural pages or shop drawings by others is a punishable offense under N.C. Statute § 89C-23

FRAMING NOTES

- ALL FRAMING LUMBER SHALL BE #2 SPF MINIMUM (F_b = 875 PSI, F_v = 375 PSI, E = 1600000 PSI) UNLESS NOTED OTHERWISE (UNO). ALL TREATED LUMBER SHALL BE #2 SYP MINIMUM (F_b = 975 PSI, F_v = 175 PSI, E = 1600000 PSI) UNLESS NOTED OTHERWISE (UNO).
- LAMINATED VENEER LUMBER (LVL) SHALL HAVE THE FOLLOWING MINIMUM PROPERTIES: F_b = 2600 PSI, F_v = 285 PSI, E = 1900000 PSI. LAMINATED STRAND LUMBER (LSL) SHALL HAVE THE FOLLOWING MINIMUM PROPERTIES: F_b = 2325 PSI, F_v = 310 PSI, E = 1550000 PSI. PARALLEL STRAND LUMBER (PSL) UP TO 7" DEPTH SHALL HAVE THE FOLLOWING MINIMUM PROPERTIES: F_c = 2500 PSI, E = 1800000 PSI. PARALLEL STRAND LUMBER (PSL) MORE THAN 7" DEPTH SHALL HAVE THE FOLLOWING MINIMUM PROPERTIES: F_c = 2900 PSI, E = 2000000 PSI. INSTALL ALL CONNECTIONS PER MANUFACTURER'S SPECIFICATIONS.
- STRUCTURAL STEEL SHALL CONFORM TO THE FOLLOWING ASTM SPECIFICATIONS

A. W AND WT SHAPES:	ASTM A992
B. CHANNELS AND ANGLES:	ASTM A36
C. PLATES AND BARS:	ASTM A36
D. HOLLOW STRUCTURAL SECTIONS:	ASTM A500 GRADE B
E. STEEL PIPE:	ASTM A53, GRADE B, TYPE E OR S

- STEEL BEAMS SHALL BE SUPPORTED AT EACH END WITH A MINIMUM BEARING LENGTH OF 3 1/2" AND FULL FLANGE WIDTH (UNO). PROVIDE SOLID BEARING FROM BEAM SUPPORT TO FOUNDATION. BEAMS SHALL BE ATTACHED AT THE BOTTOM FLANGE TO EACH SUPPORT AS FOLLOWS (UNO):

A. WOOD FRAMING	(2) 1/2" DIA. x 4" LONG LAG SCREWS
B. CONCRETE	(2) 1/2" DIA. x 4" WEDGE ANCHORS
C. MASONRY (FULLY GROUTED)	(2) 1/2" DIA. x 4" LONG SIMPSON TITEN HD ANCHORS
D. STEEL PIPE COLUMN	(4) 3/4" DIA. A325 BOLTS OR 3/16" FILLET WELD

LATERAL SUPPORT IS CONSIDERED ADEQUATE PROVIDING THE JOISTS ARE TOE NAILED TO THE 2x NAILER ON TOP OF THE STEEL BEAM, AND THE 2x NAILER IS SECURED TO THE TOP OF THE STEEL BEAM w/ (2) ROWS OF SELF TAPPING SCREWS @ 16" O.C. OR (2) ROWS OF 1/2" DIAMETER BOLTS @ 16" O.C. IF 1/2" BOLTS ARE USED TO FASTEN THE NAILER, THE STEEL BEAM SHALL BE FABRICATED w/ (2) ROWS OF 9/16" DIAMETER HOLES @ 16" O.C.

- SQUARES DENOTE POINT LOADS WHICH REQUIRE SOLID BLOCKING TO GIRDER OR FOUNDATION. SHADED SQUARES DENOTE POINT LOADS FROM ABOVE WHICH REQUIRE SOLID BLOCKING TO SUPPORTING MEMBER BELOW.
- ALL LOAD BEARING HEADERS TO CONFORM TO TABLE R602.7(1) AND R602.7(2) OF THE NRC, 2018 EDITION OR BE (2) 2 x 6 WITH (1) JACK AND (1) KING STUD EACH END (UNO), WHICHEVER IS GREATER ALL HEADERS TO BE SECURED TO EACH JACK STUD WITH (4) 8d NAILS. ALL BEAMS TO BE SUPPORTED WITH (2) STUDS AT EACH BEARING POINT (UNO). INSTALL KING STUDS PER SECTION R602.7.5 OF THE NORTH CAROLINA RESIDENTIAL CODE, 2018 EDITION.
- ALL BEAMS, HEADERS, OR GIRDER TRUSSES PARALLEL TO WALL ARE TO BEAR FULLY ON (1) JACK OR (2) STUDS MINIMUM OR THE NUMBER OF JACKS OR STUDS NOTED. ALL BEAMS OR GIRDER TRUSSES PERPENDICULAR TO WALL AND SUPPORTED BY (3) STUDS OR LESS ARE TO HAVE 1 1/2" MINIMUM BEARING (UNO). ALL BEAMS OR GIRDER TRUSSES PERPENDICULAR TO WALL AND SUPPORTED BY MORE THAN (3) STUDS OR OTHER NOTED COLUMN ARE TO BEAR FULLY ON SUPPORT COLUMN FOR ENTIRE WALL DEPTH (UNO). BEAM ENDS THAT BUTT INTO ONE ANOTHER ARE TO EACH BEAR EQUAL LENGTHS (UNO).
- FLITCH BEAMS SHALL BE BOLTED TOGETHER USING 1/2" DIAMETER BOLTS (ASTM A307) WITH WASHERS PLACED AT THREADED END OF BOLT. BOLTS SHALL BE SPACED AT 24" CENTERS (MAXIMUM), AND STAGGERED AT TOP AND BOTTOM OF BEAM (2" EDGE DISTANCE), WITH (2) BOLTS LOCATED AT 6" FROM EACH END (UNO).
- ALL I-JOIST OR TRUSS LAYOUTS ARE TO BE IN COMPLIANCE WITH THE OVERALL DESIGN SPECIFIED ON THE PLANS. ALL DEVIATIONS ARE TO BE BROUGHT TO THE ATTENTION OF THE ENGINEER OF RECORD PRIOR TO INSTALLATION.
- BRACED WALL PANELS SHALL BE CONSTRUCTED ACCORDING TO THE NORTH CAROLINA RESIDENTIAL CODE 2018 EDITION WALL BRACING CRITERIA. THE AMOUNT, LENGTH, AND LOCATION OF BRACING SHALL COMPLY WITH ALL APPLICABLE TABLES IN SECTION R602.10.
- PROVIDE DOUBLE JOIST UNDER ALL WALLS PARALLEL TO FLOOR JOISTS. PROVIDE SUPPORT UNDER ALL WALLS PARALLEL TO FLOOR TRUSSES OR I-JOISTS PER MANUFACTURER'S SPECIFICATIONS. INSTALL BLOCKING BETWEEN JOISTS OR TRUSSES FOR POINT LOAD SUPPORT FOR ALL POINT LOADS ALONG OFFSET LOAD LINES.
- FOR ALL HEADERS SUPPORTING BRICK VENEER THAT ARE LESS THAN 8'-0" IN LENGTH, REST A 6" x 4" x 5/16" STEEL ANGLE WITH 6" MINIMUM EMBEDMENT AT SIDES FOR BRICK SUPPORT (U.N.O.). FOR ALL HEADERS 8'-0" AND GREATER IN LENGTH, BOLT A 6" x 4" x 5/16" STEEL ANGLE TO HEADER WITH 1/2" LAG SCREWS AT 12" O.C. STAGGERED FOR BRICK SUPPORT. FOR ALL BRICK SUPPORT AT ROOF LINES, BOLT A 6" x 4" x 5/16" STEEL ANGLE TO (2) 2 x 10 BLOCKING INSTALLED w/ (4) 12d NAILS EA. PLY BETWEEN WALL STUDS WITH (2) ROWS OF 1/2" LAG SCREWS AT 12" O.C. STAGGERED AND IN ACCORDANCE WITH SECTION R703.8.2.1 OF THE NRC, 2018 EDITION.
- FOR STICK FRAMED ROOFS: CIRCLES DENOTE (3) 2 x 4 POSTS FOR ROOF MEMBER SUPPORT. HIP SPLICES ARE TO BE SPACED A MINIMUM OF 8'-0". FASTEN MEMBERS WITH THREE ROWS OF 12d NAILS AT 16" O.C. FRAME DORMER WALLS ON TOP OF DOUBLE OR TRIPLE RAFTERS AS SHOWN (UNO).
- FOR TRUSSED ROOFS: FRAME DORMER WALLS ON TOP OF 2 x 4 LADDER FRAMING AT 24" O.C. BETWEEN ADJACENT ROOF TRUSSES. STICK FRAME OVER-FRAMED ROOF SECTIONS WITH 2 x 8 RIDGES, 2 x 6 RAFTERS AT 16" O.C. AND FLAT 2 x 10 VALLEYS (UNO).
- ALL 4 x 4 AND 6 x 6 POSTS TO BE INSTALLED WITH 700 LB CAPACITY UPLIFT CONNECTORS TOP AND BOTTOM (UNO). POSTS MAY BE SECURED USING ONE SIMPSON H6 OR L7S12 UPLIFT CONNECTOR FASTENED TO THE BAND AT THE BOTTOM AND THE BEAM AT THE TOP OF EACH POST. ONE 16" SECTION OF SIMPSON CS16 COIL STRAPPING WITH (8) 8d HDG NAILS AT EACH END MAY BE USED IN LIEU OF EACH TWIST STRAP IF DESIRED. FOR MASONRY OR CONCRETE FOUNDATION USE SIMPSON POST BASE.

**J.S. THOMPSON
ENGINEERING, INC**
333 EAST SIX FORKS ROAD, SUITE 180, RALEIGH, NC 27609
PHONE: (919) 789-9919 FAX: (919) 789-9921
N.C. LICENSE NO.: C-1733

STANDARD STRUCTURAL NOTES

DATE: AUGUST 30, 2022

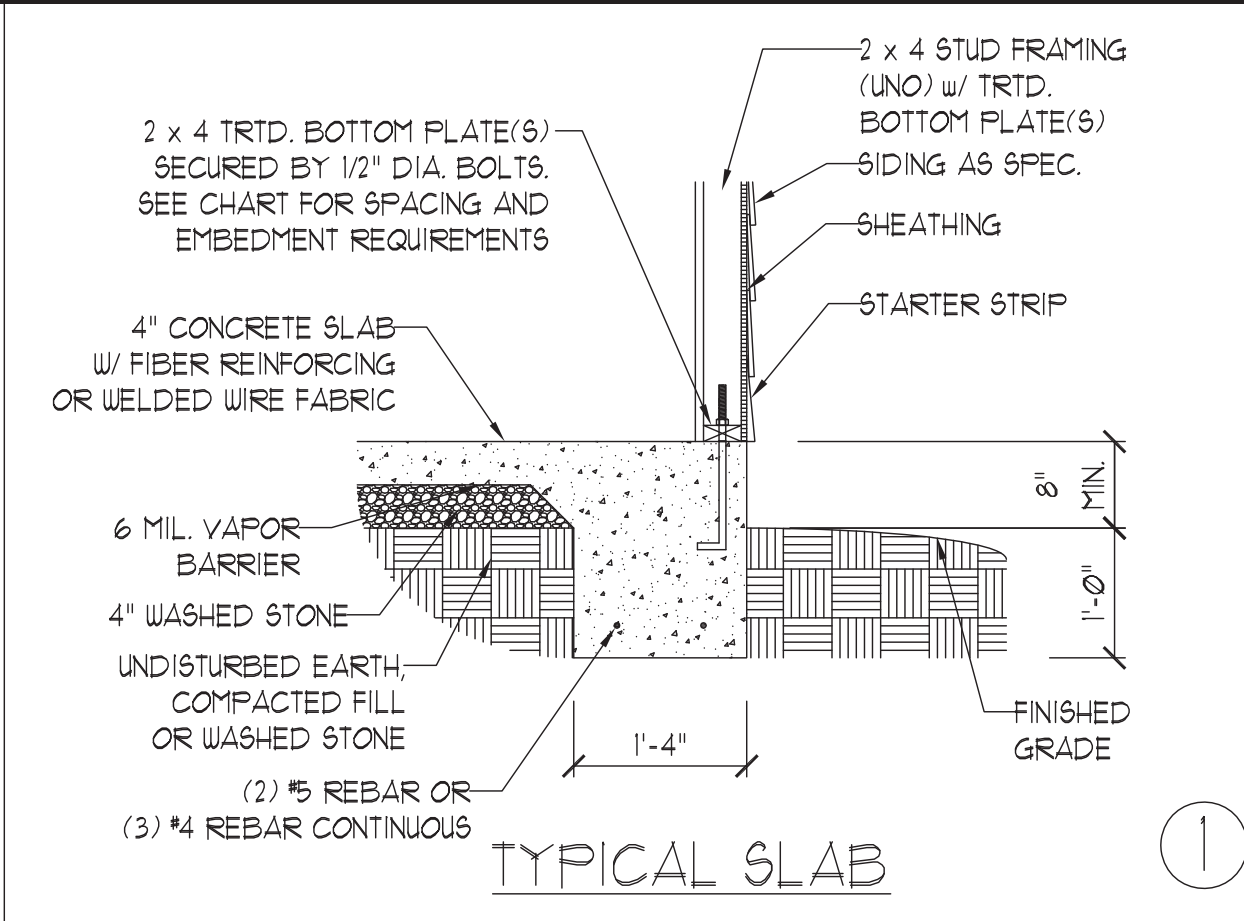
DRAWN BY: JST

ENGINEERED BY: JST

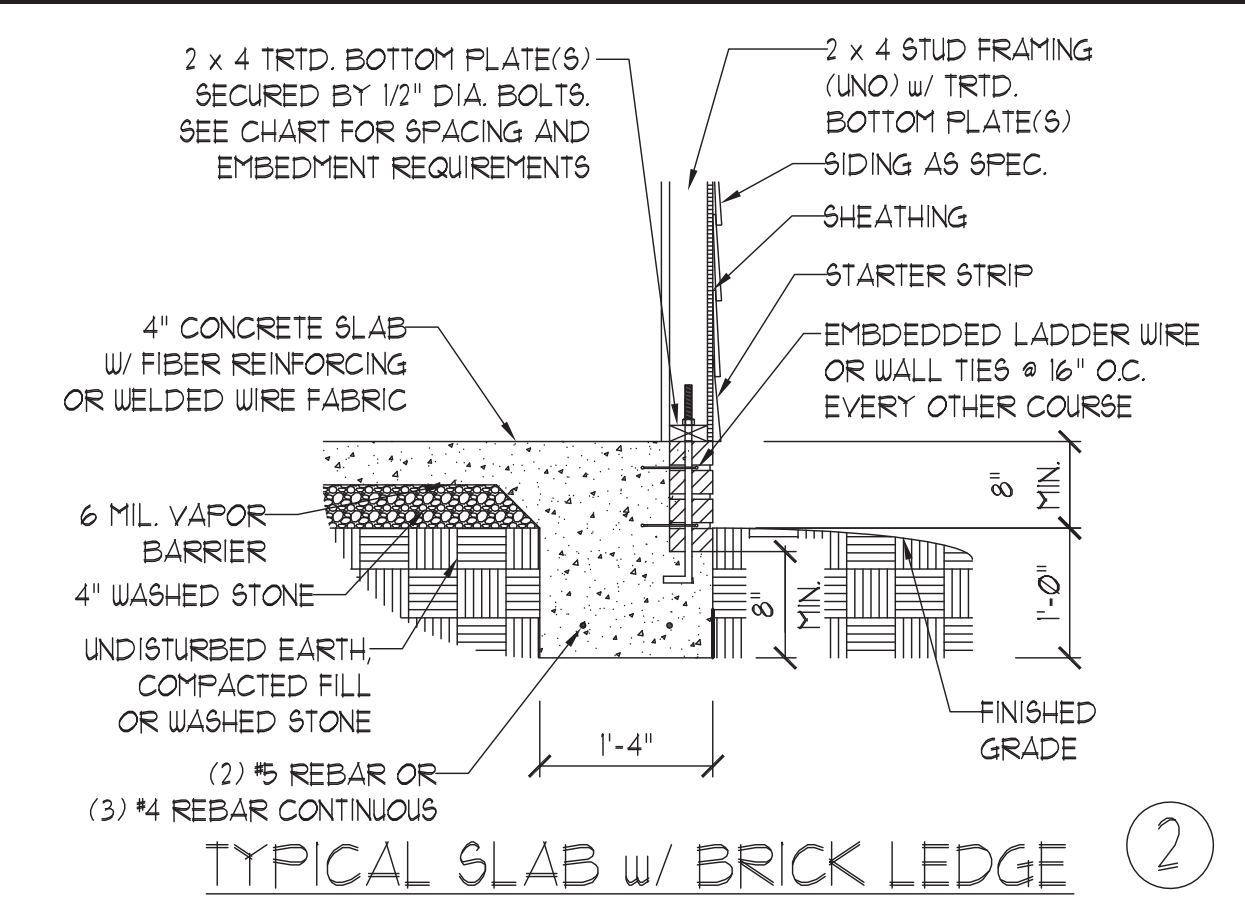


4/25/2024

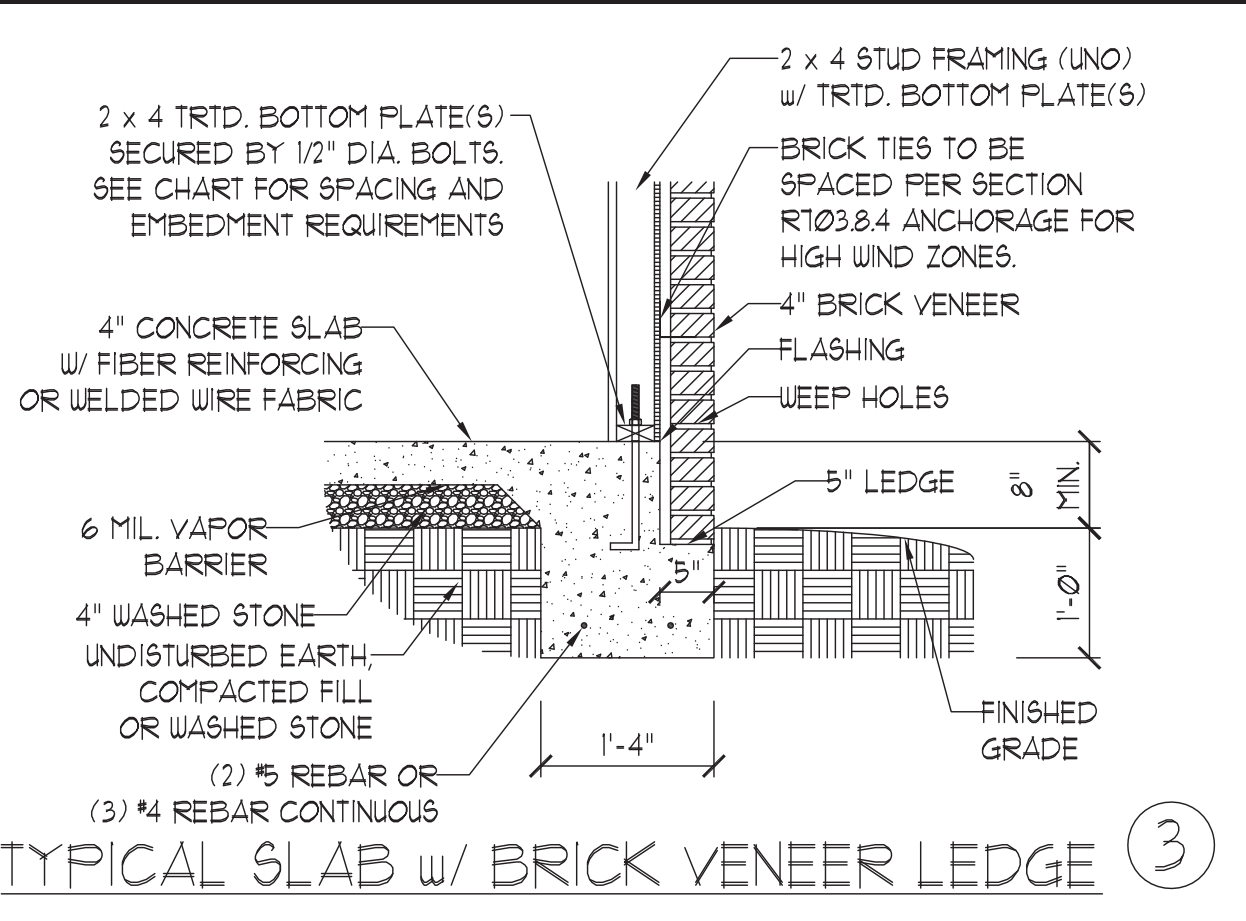
STRUCTURAL
NOTES



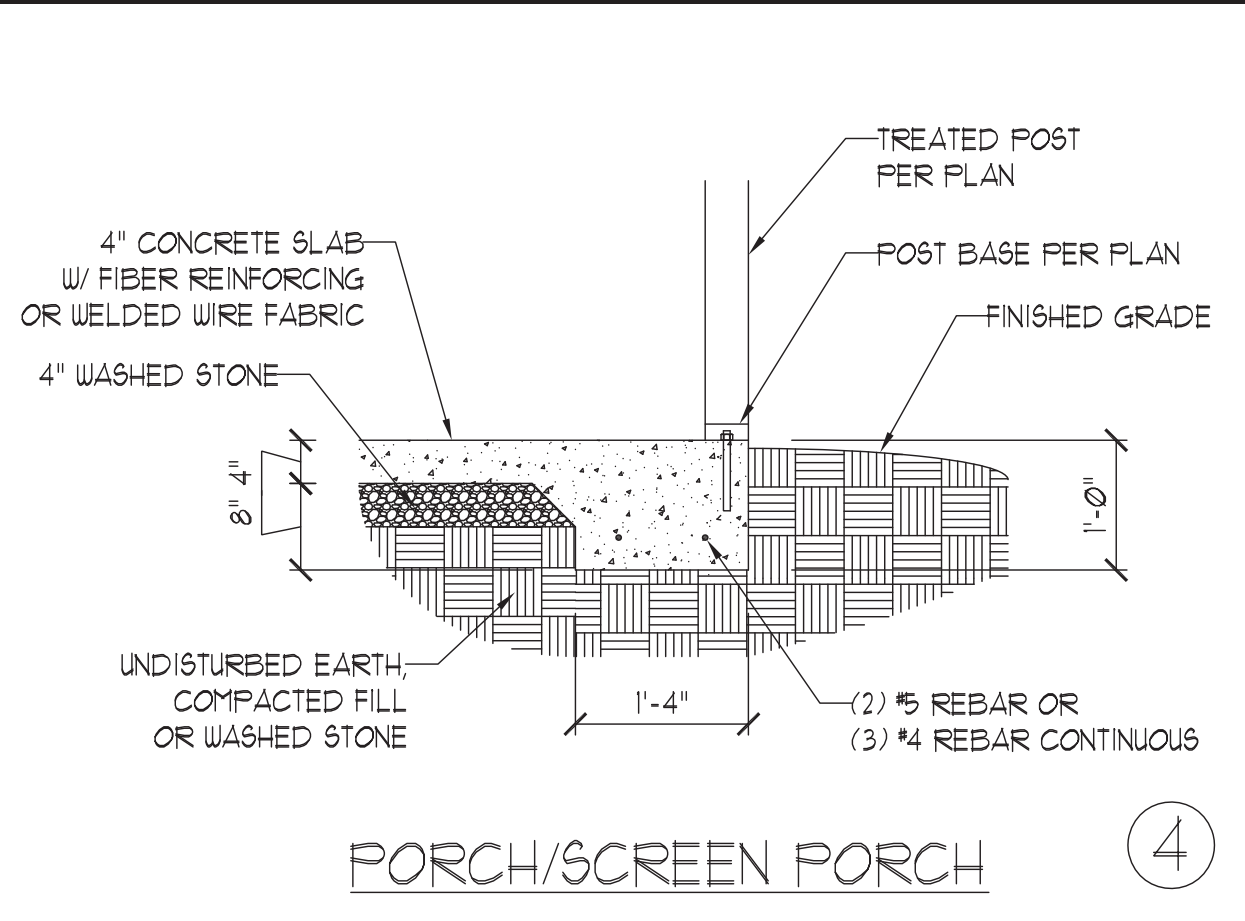
TYPICAL SLAB ①



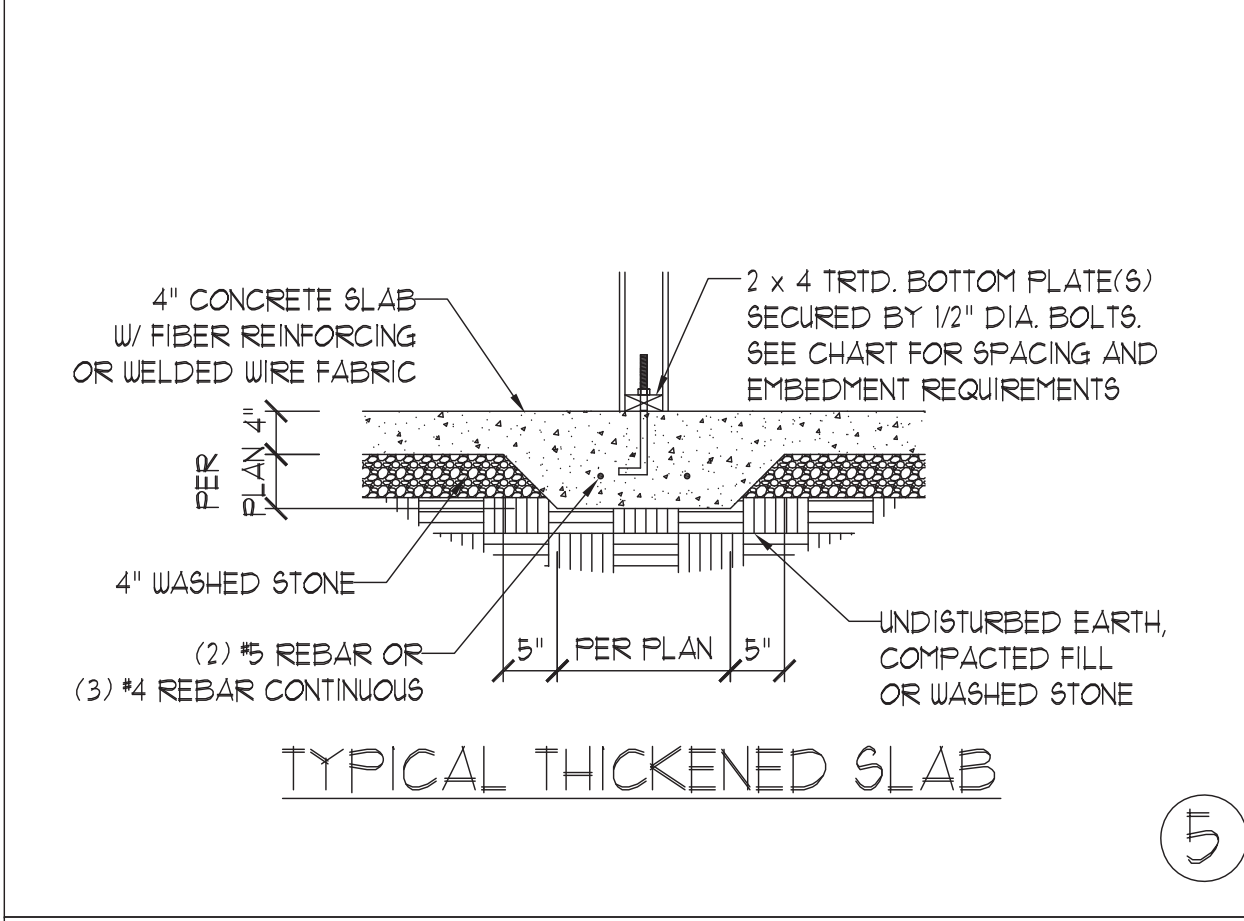
TYPICAL SLAB w/ BRICK LEDGE ②



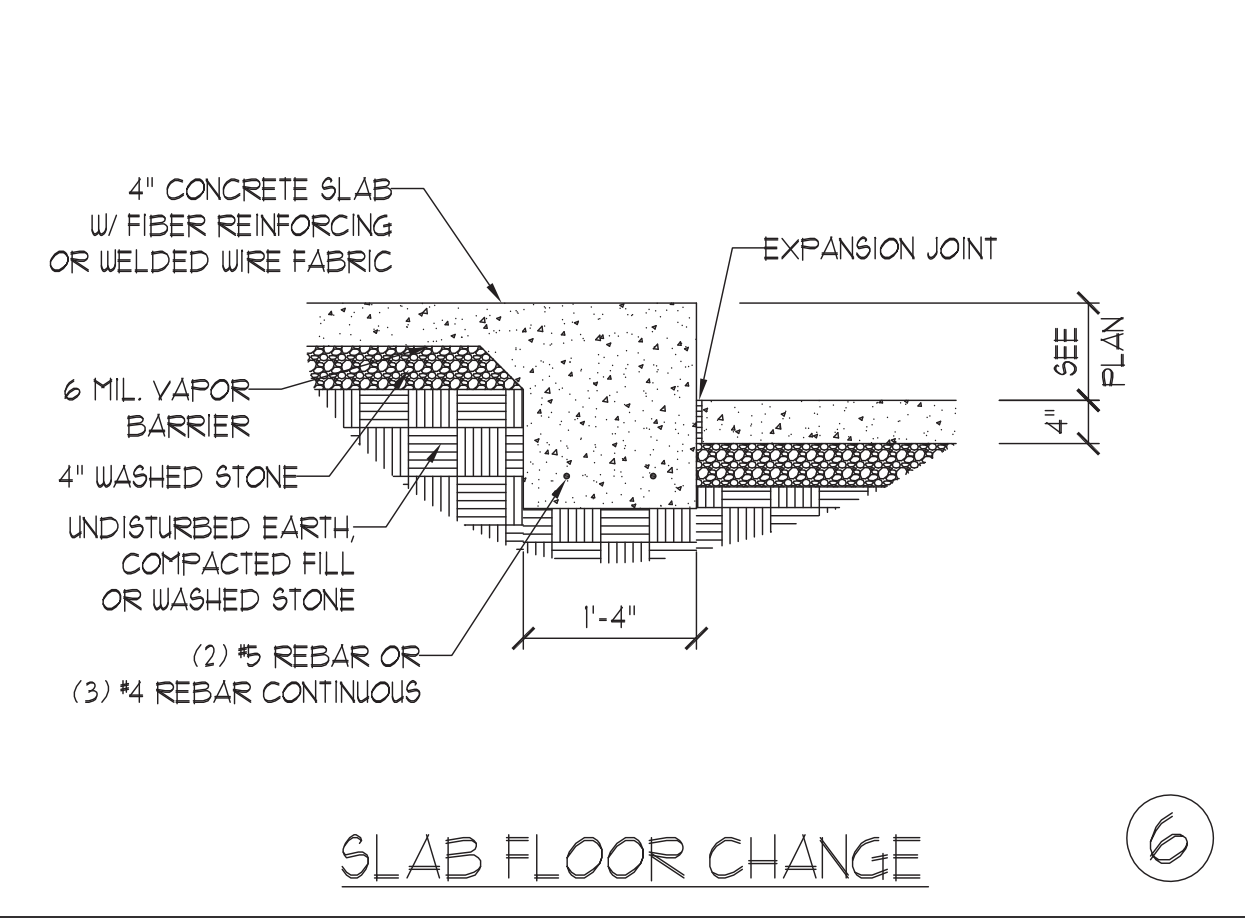
TYPICAL SLAB w/ BRICK VENEER LEDGE ③



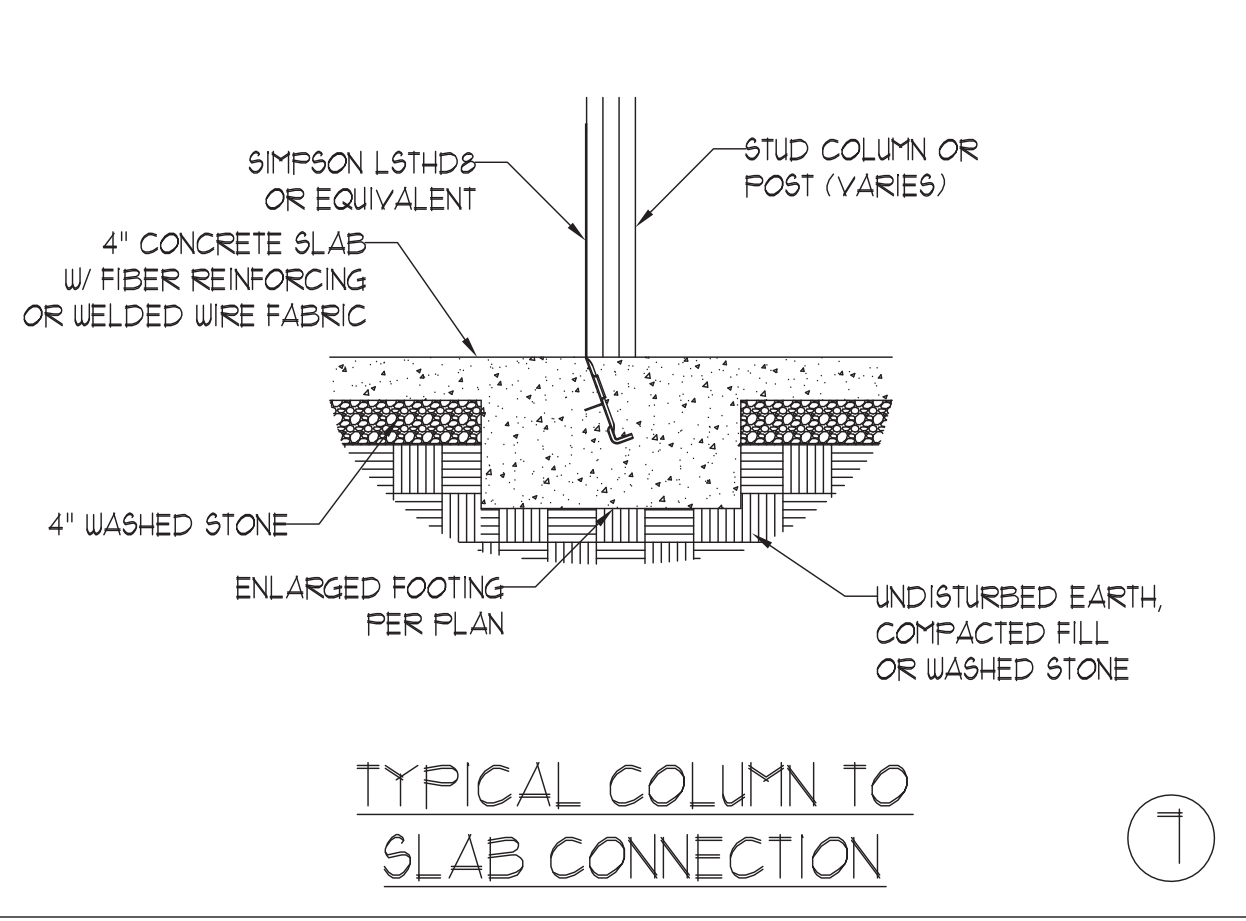
PORCH/SCREEN PORCH ④



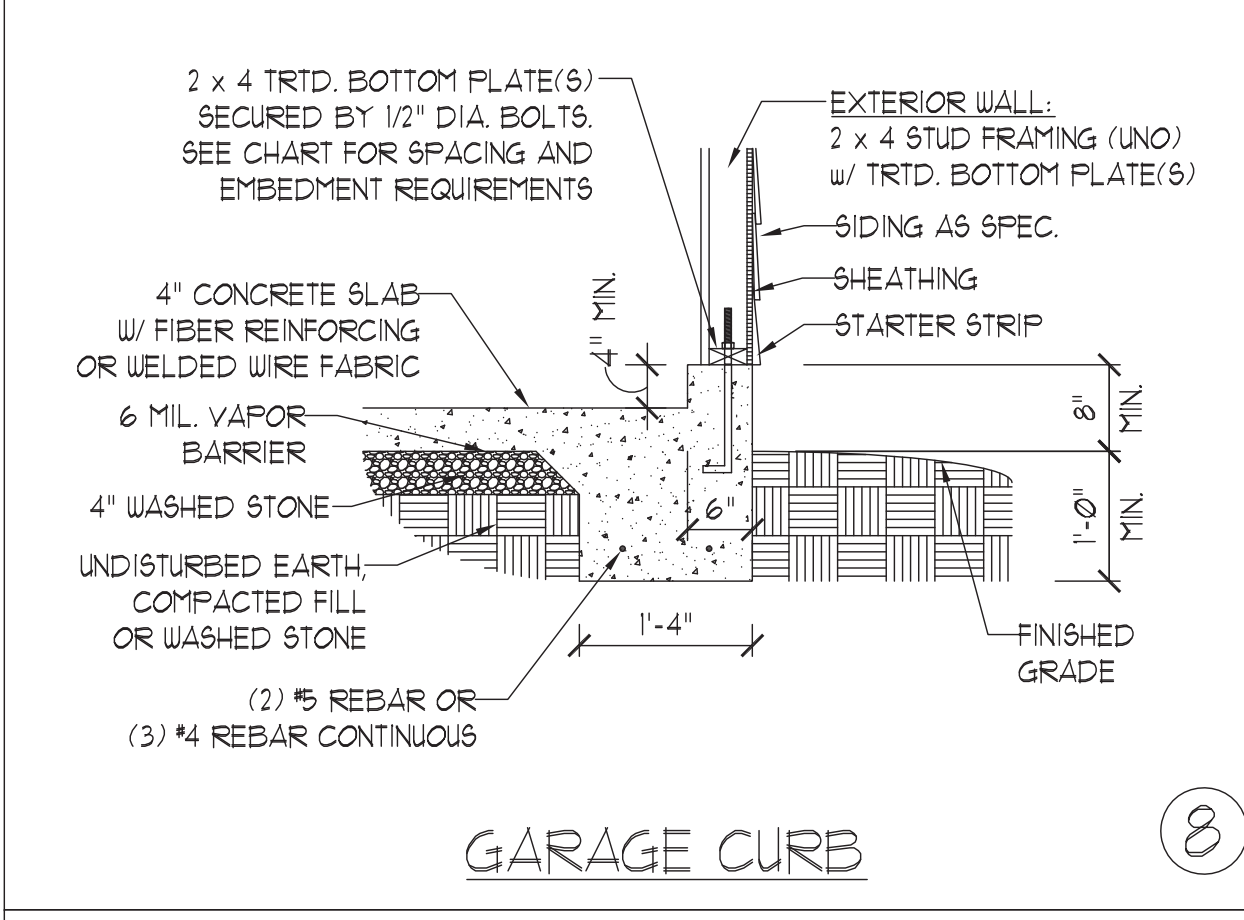
TYPICAL THICKENED SLAB ⑤



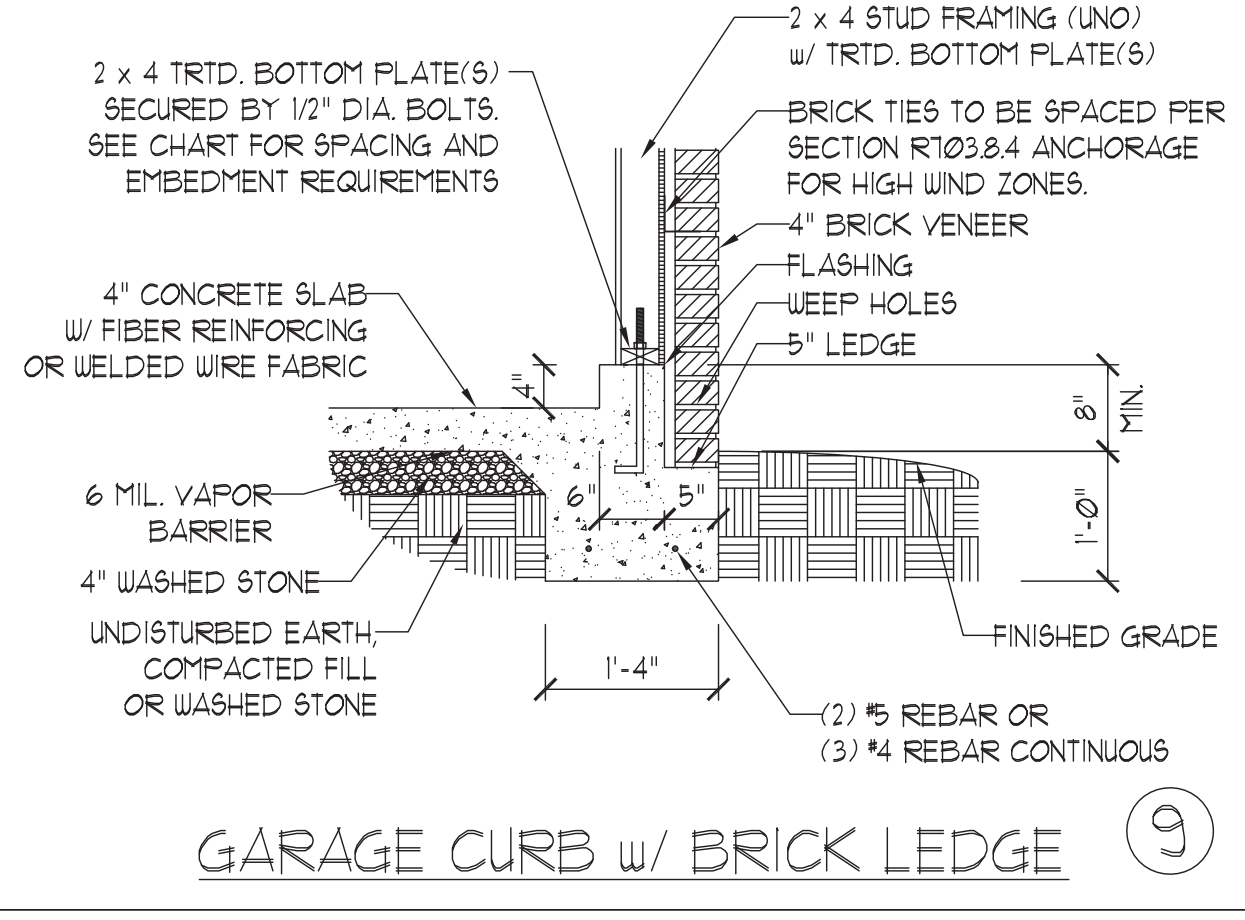
SLAB FLOOR CHANGE ⑥



TYPICAL COLUMN TO SLAB CONNECTION ⑦

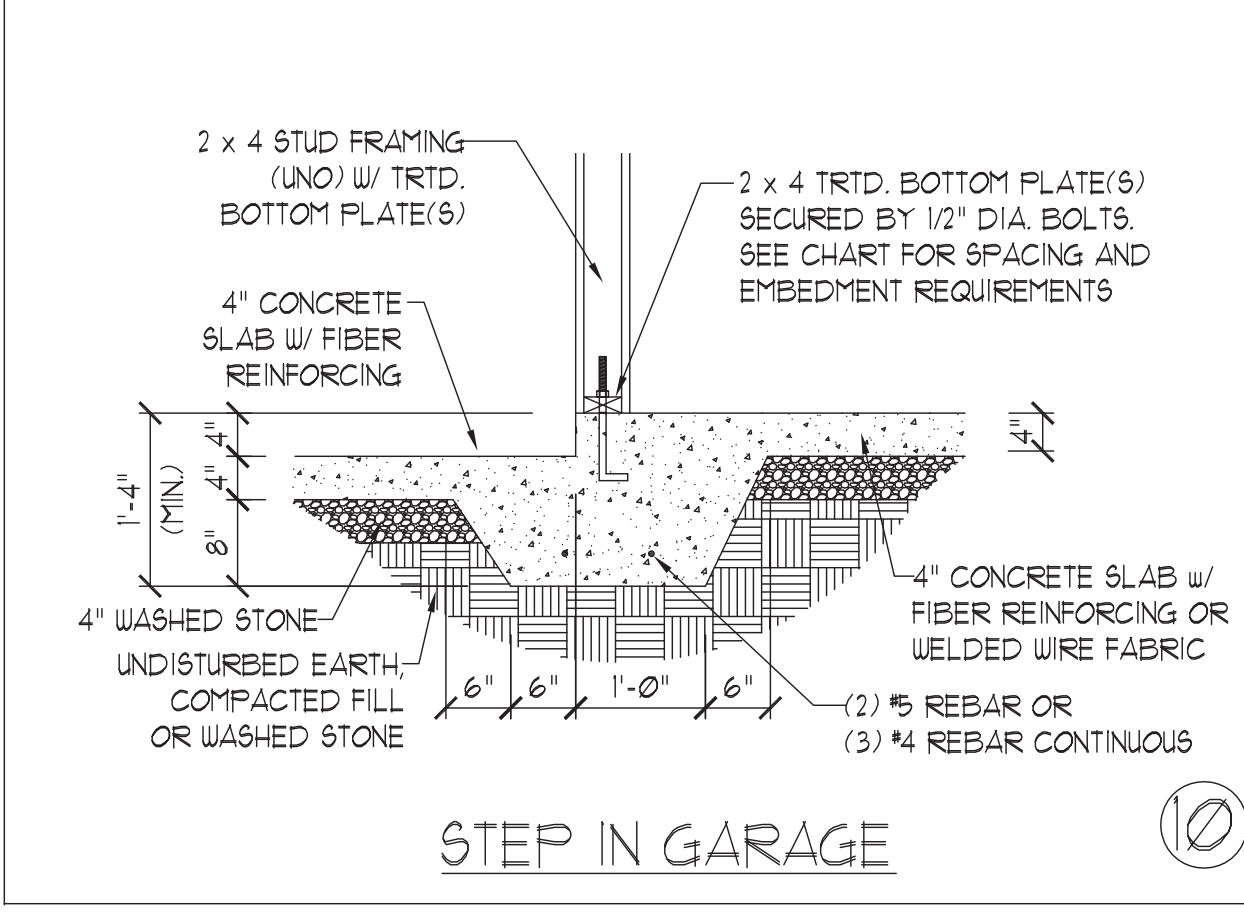


GARAGE CURB ⑧

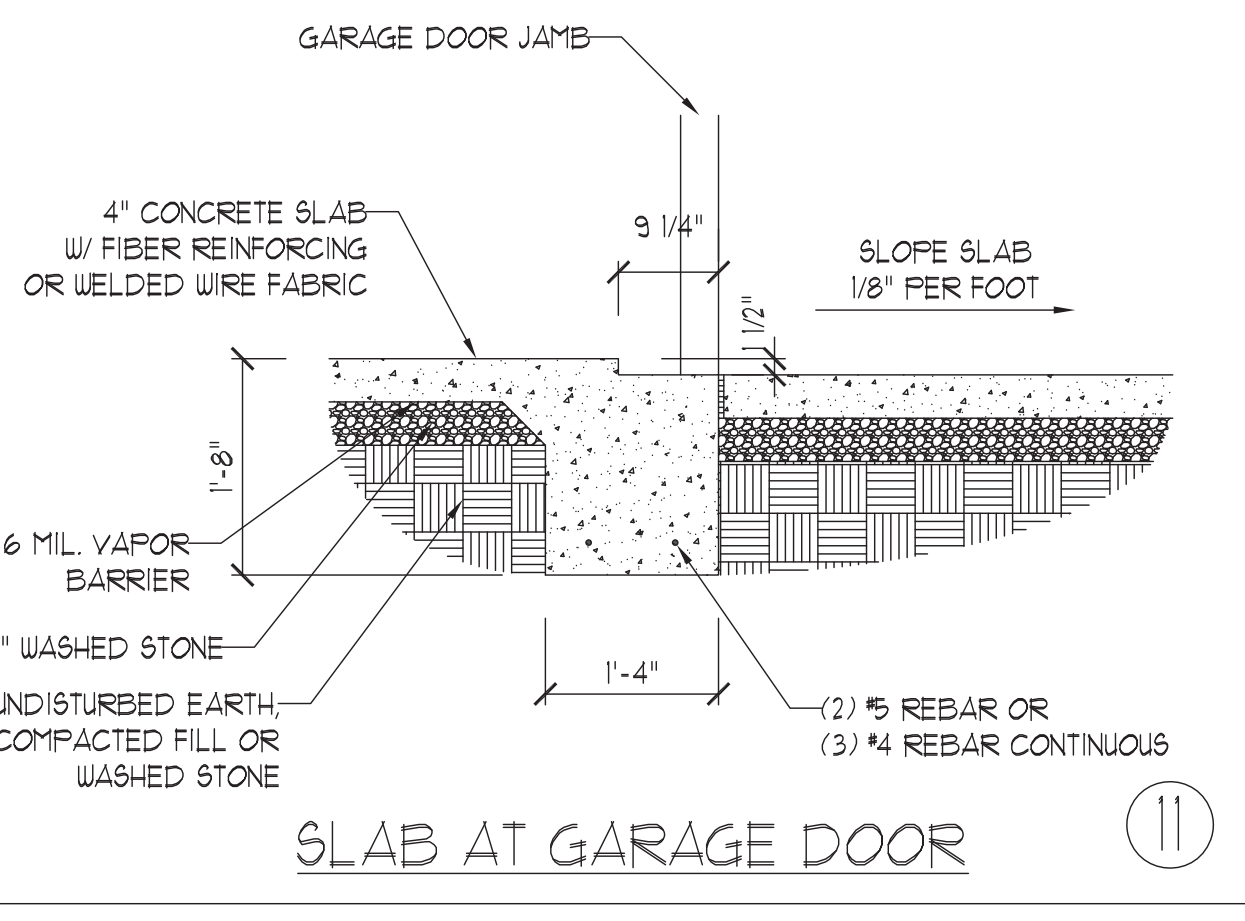


GARAGE CURB w/ BRICK LEDGE ⑨

NOTE:
LOCATE REBAR 3" ABOVE BOTTOM OF FOOTING w/ MIN. 25" LAP SPLICE LENGTH.



STEP IN GARAGE ⑩



SLAB AT GARAGE DOOR ⑪

ANCHOR SPACING AND EMBEDMENT		
WIND ZONE	140 MPH	150 MPH
SPACING	6'-0" O.C. w/ DBL. SILL PLATE OR 1'-9" O.C. w/ SINGLE SILL PLATE w/ 2" x 2" x 1/8" WASHERS INSTALL MIN. (2) ANCHORS PER PLATE SECTION AND (1) ANCHOR WITHIN 12" OF CORNERS	6'-0" O.C. w/ DBL. SILL PLATE OR 1'-6" O.C. w/ SINGLE SILL PLATE w/ 2" x 2" x 1/8" WASHERS INSTALL MIN. (2) ANCHORS PER PLATE SECTION AND (1) ANCHOR WITHIN 12" OF CORNERS
EMBEDMENT	7"	7"

NOTE:
THREADED ROD WITH EPOXY, SIMPSON TITEN HD, OR APPROVED ANCHORS SPACED AS REQUIRED TO PROVIDE EQUIVALENT ANCHORAGE TO 1/2" DIAMETER ANCHOR BOLTS MAY BE USED IN LIEU OF 1/2" ANCHOR BOLTS.

This sealed page is to be used in conjunction with a full plan set engineered by J.S. Thompson Engineering, Inc. only. Use of this individual sealed page within architectural pages or shop drawings by others is a punishable offense under N.C. Statute § 89C-23



J.S. THOMPSON ENGINEERING, INC.
333 EAST SIX FORKS ROAD, SUITE 180 RALEIGH, NC 27609
PHONE: (919) 789-9919 FAX: (919) 789-9921
N.C. LICENSE NO.: C-1733

140 MPH - 150 MPH ULTIMATE DESIGN WIND SPEED
MONOLITHIC SLAB FOUNDATION DETAILS

DATE: AUGUST 30, 2022
SCALE: NTS
DRAWN BY: JST
ENGINEERED BY: JST

FOUNDATION DETAILS

GENERAL NOTES

- ENGINEER'S SEAL APPLIES ONLY TO STRUCTURAL COMPONENTS INCLUDING ROOF RAFTERS, HIPPS, VALLEYS, RIDGES, FLOORS, WALLS, BEAMS, HEADERS, COLUMNS, CANTILEVERS, OFFSET LOAD BEARING WALLS, PIERS, GIRDER SYSTEM AND FOOTING. ENGINEER'S SEAL DOES NOT CERTIFY DIMENSIONAL ACCURACY OF ARCHITECTURAL LAYOUT INCLUDING ROOF. ENGINEER'S SEAL DOES NOT APPLY TO I-JOIST OR FLOOR/ROOF TRUSS LAYOUT DESIGN AND ACCURACY.
- ALL CONSTRUCTION SHALL CONFORM TO THE LATEST REQUIREMENTS OF THE NORTH CAROLINA RESIDENTIAL CODE (NRC), 2018 EDITION, PLUS ALL LOCAL CODES AND REGULATIONS. THE STRUCTURAL ENGINEER IS NOT RESPONSIBLE FOR, AND WILL NOT HAVE CONTROL OF, CONSTRUCTION MEANS, METHODS, TECHNIQUES, SEQUENCES OR PROCEDURES, OR SAFETY PRECAUTIONS AND PROGRAMS IN CONNECTION WITH THE CONSTRUCTION WORK. NOR WILL THE ENGINEER BE RESPONSIBLE FOR THE CONTRACTORS FAILURE TO CARRY OUT THE CONSTRUCTION WORK IN ACCORDANCE WITH THE CONTRACT DOCUMENTS.
- STRUCTURAL DESIGN BASED ON THE PROVISIONS OF THE NRC, 2018 EDITION (R301.4 - R301.7)

DESIGN CRITERIA:	LIVE LOAD (PSF)	DEAD LOAD (PSF)	DEFLECTION (IN)
ATTIC WITH LIMITED STORAGE	20	10	L/240 (L/360 w/ BRITTLE FINISHES)
ATTIC WITHOUT STORAGE	10	10	L/360
DECKS	40	10	L/360
EXTERIOR BALCONIES	40	10	L/360
FIRE ESCAPES	40	10	L/360
HANDRAILS/GUARDRAILS	200	10	L/360
PASSENGER VEHICLE GARAGE	50	10	L/360
ROOMS OTHER THAN SLEEPING ROOM	40	10	L/360
SLEEPING ROOMS	30	10	L/360
STAIRS	40	10	L/360
WIND LOAD	(BASED ON TABLE R301.2(4) WIND ZONE AND EXPOSURE)		
GROUND SNOW LOAD: Pg	20 (PSF)		

- I-JOIST SYSTEMS DESIGNED WITH 12 PSF DEAD LOAD AND DEFLECTION (IN) OF L/480
 - FLOOR TRUSS SYSTEMS DESIGNED WITH 15 PSF DEAD LOAD
- FOR 115 AND 120 MPH WIND ZONES, FOUNDATION ANCHORAGE IS TO COMPLY WITH SECTION R403.1.6 OF THE NRC, 2018 EDITION. FOR 130 MPH, 140 MPH, AND 150 MPH WIND ZONES, FOUNDATION ANCHORAGE IS TO COMPLY WITH SECTION 4504 OF THE NRC, 2018 EDITION.
 - ENERGY EFFICIENCY COMPLIANCE AND INSULATION VALUES OF THE BUILDING TO BE IN ACCORDANCE WITH CHAPTER 11 OF THE NRC, 2018 EDITION.

FOOTING AND FOUNDATION NOTES

- FOUNDATION DESIGN BASED ON A MINIMUM ALLOWABLE BEARING CAPACITY OF 2000 PSF. CONTACT GEOTECHNICAL ENGINEER IF BEARING CAPACITY IS NOT ACHIEVED.
- FOR ALL CONCRETE SLABS AND FOOTINGS, THE AREA WITHIN THE PERIMETER OF THE BUILDING ENVELOPE SHALL HAVE ALL VEGETATION, TOP SOIL AND FOREIGN MATERIAL REMOVED. FILL MATERIAL SHALL BE FREE OF VEGETATION AND FOREIGN MATERIAL. THE FILL SHALL BE COMPACTED TO ASSURE UNIFORM SUPPORT OF THE SLAB, AND EXCEPT WHERE APPROVED, THE FILL DEPTHS SHALL NOT EXCEED 24" FOR CLEAN SAND OR GRAVEL. A 4" THICK BASED COURSE CONSISTING OF CLEAN GRADED SAND OR GRAVEL SHALL BE PLACED. A BASE COURSE IS NOT REQUIRED WHERE A CONCRETE SLAB IS INSTALLED ON WELL-DRAINED OR SAND-GRAVEL MIXTURE SOILS CLASSIFIED AS GROUP 1, ACCORDING TO THE UNITED SOIL CLASSIFICATION SYSTEM IN ACCORDANCE WITH TABLE R405.1 OF THE NRC, 2018 EDITION.
- PROPERLY DEWATER EXCAVATION PRIOR TO POURING CONCRETE WHEN BOTTOM OF CONCRETE SLAB IS AT OR BELOW WATER TABLE. IF APPLICABLE, 3/4" - 1" DEEP CONTROL JOINTS ARE TO BE SAWS WITHIN 4 TO 12 HOURS OF CONCRETE FINISHING AND WALL LOCATIONS HAVE BEEN MARKED. ADJUST WHERE NECESSARY.
- CONCRETE SHALL CONFORM TO SECTION R402.2 OF THE NRC, 2018 EDITION. CONCRETE REINFORCING STEEL TO BE ASTM A615 GRADE 60. WELDED WIRE FABRIC TO BE ASTM A185. MAINTAIN A MINIMUM CONCRETE COVER AROUND REINFORCING STEEL OF 3" IN FOOTINGS AND 1 1/2" IN SLABS. FOR POURED CONCRETE WALLS, CONCRETE COVER FOR REINFORCING STEEL MEASURED FROM THE INSIDE FACE OF THE WALL SHALL NOT BE LESS THAN 3/4". CONCRETE COVER FOR REINFORCING STEEL MEASURED FROM THE OUTSIDE FACE OF THE WALL SHALL NOT BE LESS THAN 1 1/2" FOR #5 BARS OR SMALLER, AND NOT LESS THAN 2" FOR #6 BARS OR LARGER.
- MASONRY UNITS TO CONFORM TO ACE 530/ASCE 5/TMS 402. MORTAR SHALL CONFORM TO ASTM C270.
- THE UNSUPPORTED HEIGHT OF MASONRY PIERS SHALL NOT EXCEED FOUR TIMES THEIR LEAST DIMENSION FOR UNFILLED HOLLOW CONCRETE MASONRY UNITS AND TEN TIMES THEIR LEAST DIMENSION FOR SOLID OR SOLID FILLED PIERS. PIERS MAY BE FILLED SOLID WITH CONCRETE OR TYPE M OR S MORTAR. PIERS AND WALLS SHALL BE CAPPED WITH 8" OF SOLID MASONRY.
- THE CENTER OF EACH OF THE PIERS SHALL BEAR IN THE MIDDLE THIRD OF ITS RESPECTIVE FOOTING. EACH GIRDER SHALL BEAR IN THE MIDDLE THIRD OF THE PIERS.
- ALL CONCRETE AND MASONRY FOUNDATION WALLS ARE TO BE CONSTRUCTED IN ACCORDANCE WITH THE PROVISIONS OF SECTION R404 OF THE NRC, 2018 EDITION OR IN ACCORDANCE WITH ACI 318, ACI 332, NCMA TR68-A OR ACE 530/ASCE 5/TMS 402. MASONRY FOUNDATION WALLS ARE TO BE REINFORCED PER TABLE R404.1.1(1), R404.1.1(2), R404.1.1(3), OR R404.1.1(4) OF THE NRC, 2018 EDITION. CONCRETE FOUNDATION WALLS ARE TO BE REINFORCED PER TABLE R404.1.1(5) OF THE NRC, 2018 EDITION. STEP CONCRETE FOUNDATION WALLS TO 2 x 6 FRAMED WALLS AT 16" O.C. WHERE GRADE PERMITS (UNO).

This sealed page is to be used in conjunction with a full plan set engineered by J.S. Thompson Engineering, Inc. only. Use of this individual sealed page within architectural pages or shop drawings by others is a punishable offense under N.C. Statute § 89C-23

FRAMING NOTES

- ALL FRAMING LUMBER SHALL BE #2 SPF MINIMUM (Fb = 875 PSI, Fv = 375 PSI, E = 1600000 PSI) UNLESS NOTED OTHERWISE (UNO). ALL TREATED LUMBER SHALL BE #2 SYP MINIMUM (Fb = 975 PSI, Fv = 175 PSI, E = 1600000 PSI) UNLESS NOTED OTHERWISE (UNO).
- LAMINATED VENEER LUMBER (LVL) SHALL HAVE THE FOLLOWING MINIMUM PROPERTIES: Fb = 2600 PSI, Fv = 285 PSI, E = 1900000 PSI. LAMINATED STRAND LUMBER (LSL) SHALL HAVE THE FOLLOWING MINIMUM PROPERTIES: Fb = 2325 PSI, Fv = 310 PSI, E = 1550000 PSI. PARALLEL STRAND LUMBER (PSL) UP TO 7" DEPTH SHALL HAVE THE FOLLOWING MINIMUM PROPERTIES: Fc = 2500 PSI, E = 1800000 PSI. PARALLEL STRAND LUMBER (PSL) MORE THAN 7" DEPTH SHALL HAVE THE FOLLOWING MINIMUM PROPERTIES: Fc = 2900 PSI, E = 2000000 PSI. INSTALL ALL CONNECTIONS PER MANUFACTURER'S SPECIFICATIONS.
- STRUCTURAL STEEL SHALL CONFORM TO THE FOLLOWING ASTM SPECIFICATIONS

A. W AND WT SHAPES:	ASTM A992
B. CHANNELS AND ANGLES:	ASTM A36
C. PLATES AND BARS:	ASTM A36
D. HOLLOW STRUCTURAL SECTIONS:	ASTM A500 GRADE B
E. STEEL PIPE:	ASTM A53, GRADE B, TYPE E OR S
- STEEL BEAMS SHALL BE SUPPORTED AT EACH END WITH A MINIMUM BEARING LENGTH OF 3 1/2" AND FULL FLANGE WIDTH (UNO). PROVIDE SOLID BEARING FROM BEAM SUPPORT TO FOUNDATION. BEAMS SHALL BE ATTACHED AT THE BOTTOM FLANGE TO EACH SUPPORT AS FOLLOWS (UNO):

A. WOOD FRAMING	(2) 1/2" DIA. x 4" LONG LAG SCREWS
B. CONCRETE	(2) 1/2" DIA. x 4" WEDGE ANCHORS
C. MASONRY (FULLY GROUTED)	(2) 1/2" DIA. x 4" LONG SIMPSON TITEN HD ANCHORS
D. STEEL PIPE COLUMN	(4) 3/4" DIA. A325 BOLTS OR 3/16" FILLET WELD

LATERAL SUPPORT IS CONSIDERED ADEQUATE PROVIDING THE JOISTS ARE TOE NAILED TO THE 2x NAILER ON TOP OF THE STEEL BEAM, AND THE 2x NAILER IS SECURED TO THE TOP OF THE STEEL BEAM w/ (2) ROWS OF SELF TAPPING SCREWS @ 16" O.C. OR (2) ROWS OF 1/2" DIAMETER BOLTS @ 16" O.C. IF 1/2" BOLTS ARE USED TO FASTEN THE NAILER, THE STEEL BEAM SHALL BE FABRICATED w/ (2) ROWS OF 9/16" DIAMETER HOLES @ 16" O.C.
- SQUARES DENOTE POINT LOADS WHICH REQUIRE SOLID BLOCKING TO GIRDER OR FOUNDATION. SHADED SQUARES DENOTE POINT LOADS FROM ABOVE WHICH REQUIRE SOLID BLOCKING TO SUPPORTING MEMBER BELOW.
- ALL LOAD BEARING HEADERS TO CONFORM TO TABLE R602.7(1) AND R602.7(2) OF THE NRC, 2018 EDITION OR BE (2) 2 x 6 WITH (1) JACK AND (1) KING STUD EACH END (UNO), WHICHEVER IS GREATER ALL HEADERS TO BE SECURED TO EACH JACK STUD WITH (4) 8d NAILS. ALL BEAMS TO BE SUPPORTED WITH (2) STUDS AT EACH BEARING POINT (UNO). INSTALL KING STUDS PER SECTION R602.7.5 OF THE NORTH CAROLINA RESIDENTIAL CODE, 2018 EDITION.
- ALL BEAMS, HEADERS, OR GIRDER TRUSSES PARALLEL TO WALL ARE TO BEAR FULLY ON (1) JACK OR (2) STUDS MINIMUM OR THE NUMBER OF JACKS OR STUDS NOTED. ALL BEAMS OR GIRDER TRUSSES PERPENDICULAR TO WALL AND SUPPORTED BY (3) STUDS OR LESS ARE TO HAVE 1 1/2" MINIMUM BEARING (UNO). ALL BEAMS OR GIRDER TRUSSES PERPENDICULAR TO WALL AND SUPPORTED BY MORE THAN (3) STUDS OR OTHER NOTED COLUMN ARE TO BEAR FULLY ON SUPPORT COLUMN FOR ENTIRE WALL DEPTH (UNO). BEAM ENDS THAT BUTT INTO ONE ANOTHER ARE TO EACH BEAR EQUAL LENGTHS (UNO).
- FLITCH BEAMS SHALL BE BOLTED TOGETHER USING 1/2" DIAMETER BOLTS (ASTM A307) WITH WASHERS PLACED AT THREADED END OF BOLT. BOLTS SHALL BE SPACED AT 24" CENTERS (MAXIMUM), AND STAGGERED AT TOP AND BOTTOM OF BEAM (2" EDGE DISTANCE), WITH (2) BOLTS LOCATED AT 6" FROM EACH END (UNO).
- ALL I-JOIST OR TRUSS LAYOUTS ARE TO BE IN COMPLIANCE WITH THE OVERALL DESIGN SPECIFIED ON THE PLANS. ALL DEVIATIONS ARE TO BE BROUGHT TO THE ATTENTION OF THE ENGINEER OF RECORD PRIOR TO INSTALLATION.
- BRACED WALL PANELS SHALL BE CONSTRUCTED ACCORDING TO THE NORTH CAROLINA RESIDENTIAL CODE 2018 EDITION WALL BRACING CRITERIA. THE AMOUNT, LENGTH, AND LOCATION OF BRACING SHALL COMPLY WITH ALL APPLICABLE TABLES IN SECTION R602.10.
- PROVIDE DOUBLE JOIST UNDER ALL WALLS PARALLEL TO FLOOR JOISTS. PROVIDE SUPPORT UNDER ALL WALLS PARALLEL TO FLOOR TRUSSES OR I-JOISTS PER MANUFACTURER'S SPECIFICATIONS. INSTALL BLOCKING BETWEEN JOISTS OR TRUSSES FOR POINT LOAD SUPPORT FOR ALL POINT LOADS ALONG OFFSET LOAD LINES.
- FOR ALL HEADERS SUPPORTING BRICK VENEER THAT ARE LESS THAN 8'-0" IN LENGTH, REST A 6" x 4" x 5/16" STEEL ANGLE WITH 6" MINIMUM EMBEDMENT AT SIDES FOR BRICK SUPPORT (U.N.O.). FOR ALL HEADERS 8'-0" AND GREATER IN LENGTH, BOLT A 6" x 4" x 5/16" STEEL ANGLE TO HEADER WITH 1/2" LAG SCREWS AT 12" O.C. STAGGERED FOR BRICK SUPPORT. FOR ALL BRICK SUPPORT AT ROOF LINES, BOLT A 6" x 4" x 5/16" STEEL ANGLE TO (2) 2 x 10 BLOCKING INSTALLED w/ (4) 12d NAILS EA. PLY BETWEEN WALL STUDS WITH (2) ROWS OF 1/2" LAG SCREWS AT 12" O.C. STAGGERED AND IN ACCORDANCE WITH SECTION R703.8.2.1 OF THE NRC, 2018 EDITION.
- FOR STICK FRAMED ROOFS: CIRCLES DENOTE (3) 2 x 4 POSTS FOR ROOF MEMBER SUPPORT. HIP SPLICES ARE TO BE SPACED A MINIMUM OF 8'-0". FASTEN MEMBERS WITH THREE ROWS OF 12d NAILS AT 16" O.C. FRAME DORMER WALLS ON TOP OF DOUBLE OR TRIPLE RAFTERS AS SHOWN (UNO).
- FOR TRUSSED ROOFS: FRAME DORMER WALLS ON TOP OF 2 x 4 LADDER FRAMING AT 24" O.C. BETWEEN ADJACENT ROOF TRUSSES. STICK FRAME OVER-FRAMED ROOF SECTIONS WITH 2 x 8 RIDGES, 2 x 6 RAFTERS AT 16" O.C. AND FLAT 2 x 10 VALLEYS (UNO).
- ALL 4 x 4 AND 6 x 6 POSTS TO BE INSTALLED WITH 700 LB CAPACITY UPLIFT CONNECTORS TOP AND BOTTOM (UNO). POSTS MAY BE SECURED USING ONE SIMPSON H6 OR L7S12 UPLIFT CONNECTOR FASTENED TO THE BAND AT THE BOTTOM AND THE BEAM AT THE TOP OF EACH POST. ONE 16" SECTION OF SIMPSON CS16 COIL STRAPPING WITH (8) 8d HDG NAILS AT EACH END MAY BE USED IN LIEU OF EACH TWIST STRAP IF DESIRED. FOR MASONRY OR CONCRETE FOUNDATION USE SIMPSON POST BASE.

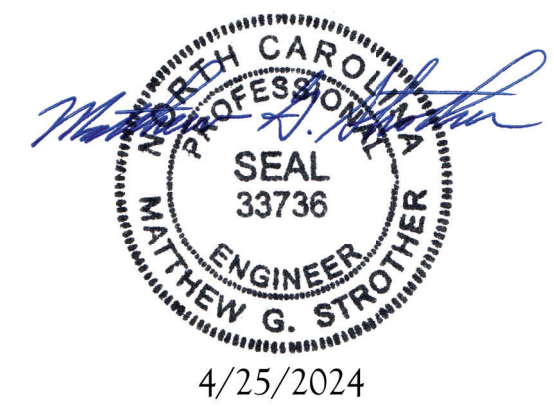
**J.S. THOMPSON
ENGINEERING, INC**
333 EAST SIX FORKS ROAD, SUITE 180, RALEIGH, NC 27609
PHONE: (919) 789-9919 FAX: (919) 789-9921
N.C. LICENSE NO.: C-1733

STANDARD STRUCTURAL NOTES

DATE: AUGUST 30, 2022

DRAWN BY: JST

ENGINEERED BY: JST



4/25/2024

STRUCTURAL NOTES