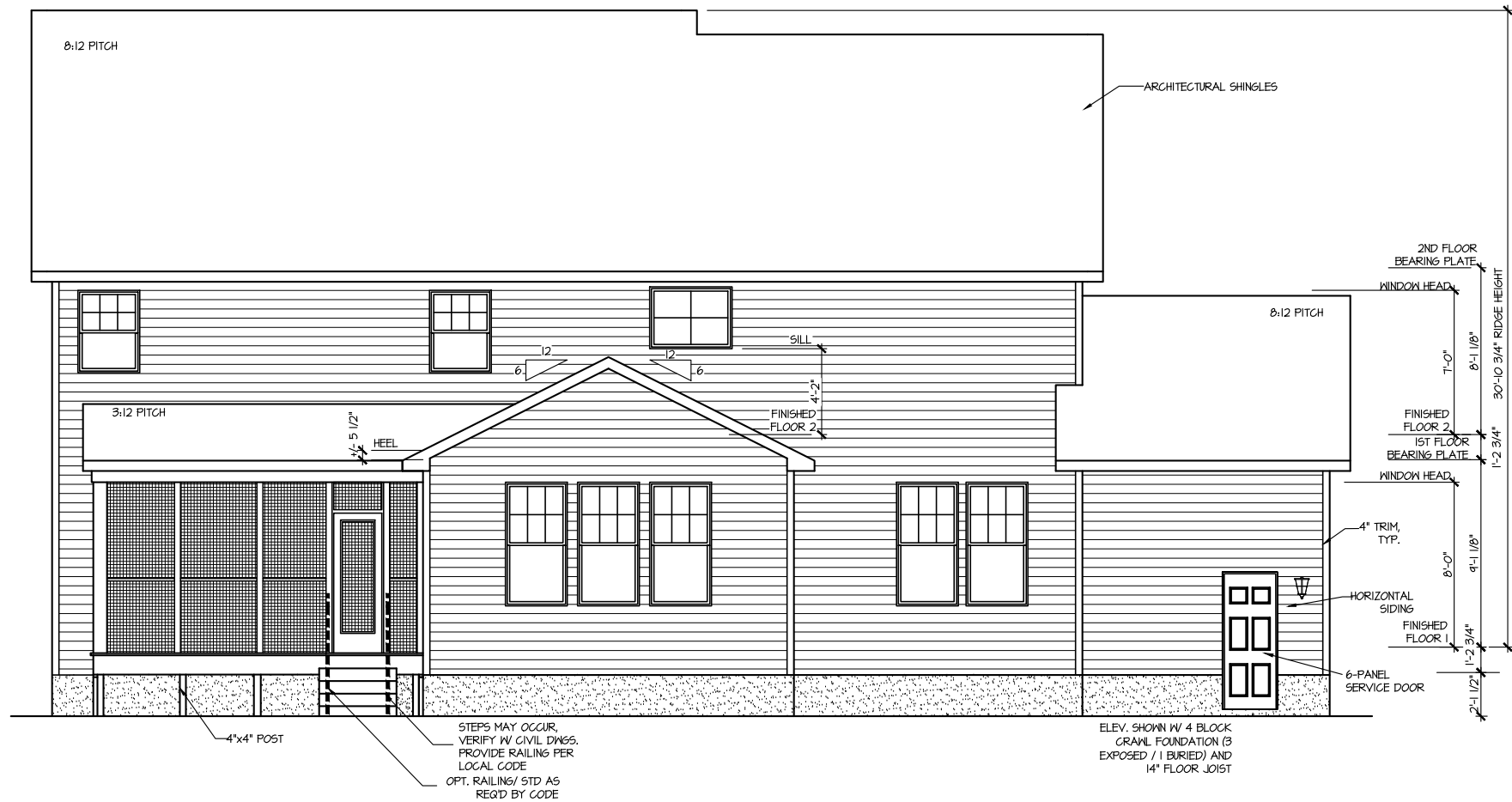




FRONT ELEVATION I

SCALE: 1/8" = 1'-0"



REAR ELEVATION I

SCALE: 1/8" = 1'-0"

FILE: Lot_00.0014.dwg DATE: 10/5/2024 4:33 PM

UPDATED DATE
09-12-2024

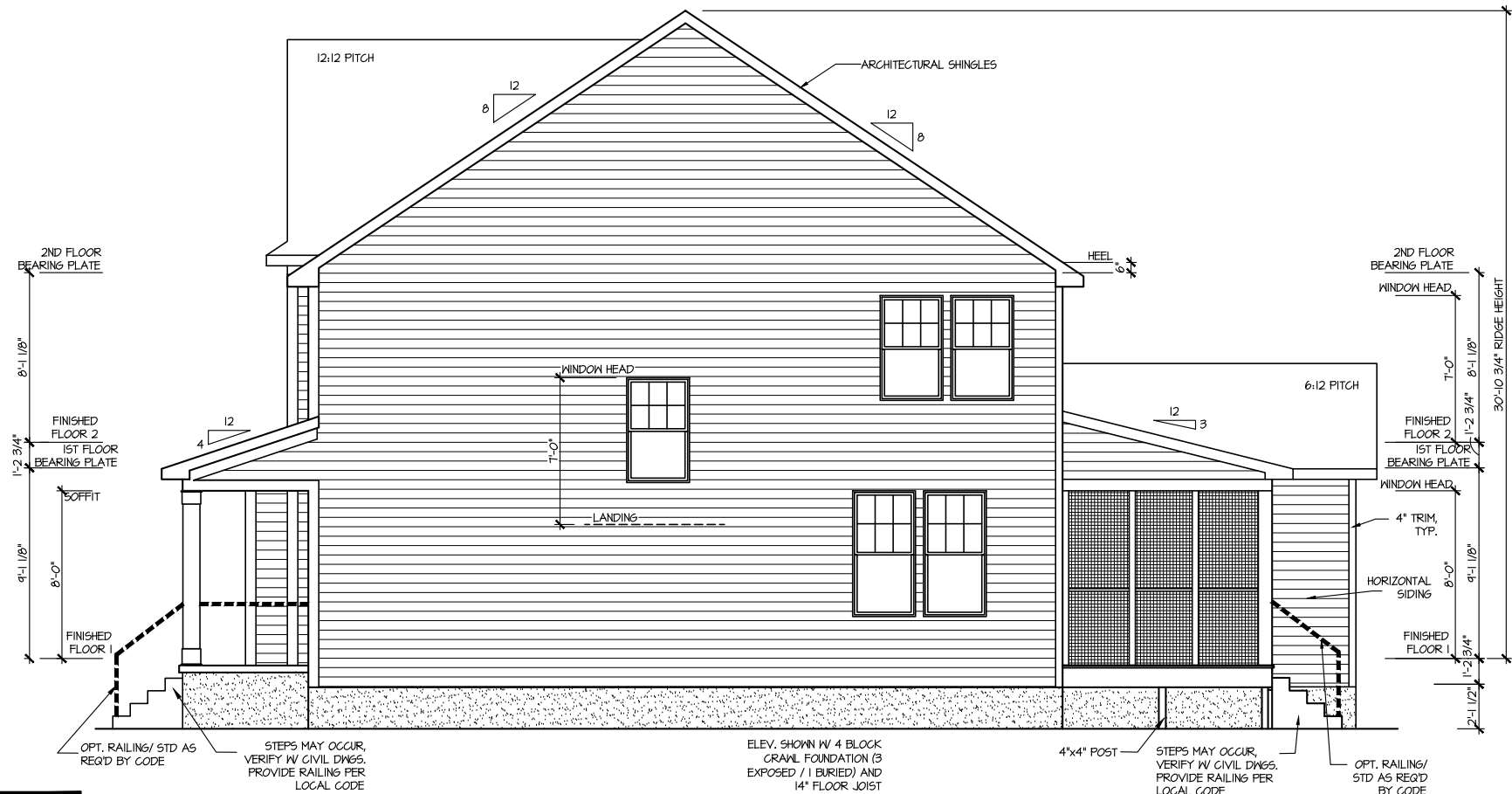
MASTER PLAN INFORMATION
REVISION DATE
3-RALE 07-31-2024

DRAWN BY: ITS
DATE: 10/05/2024
PLAN NO. 1635

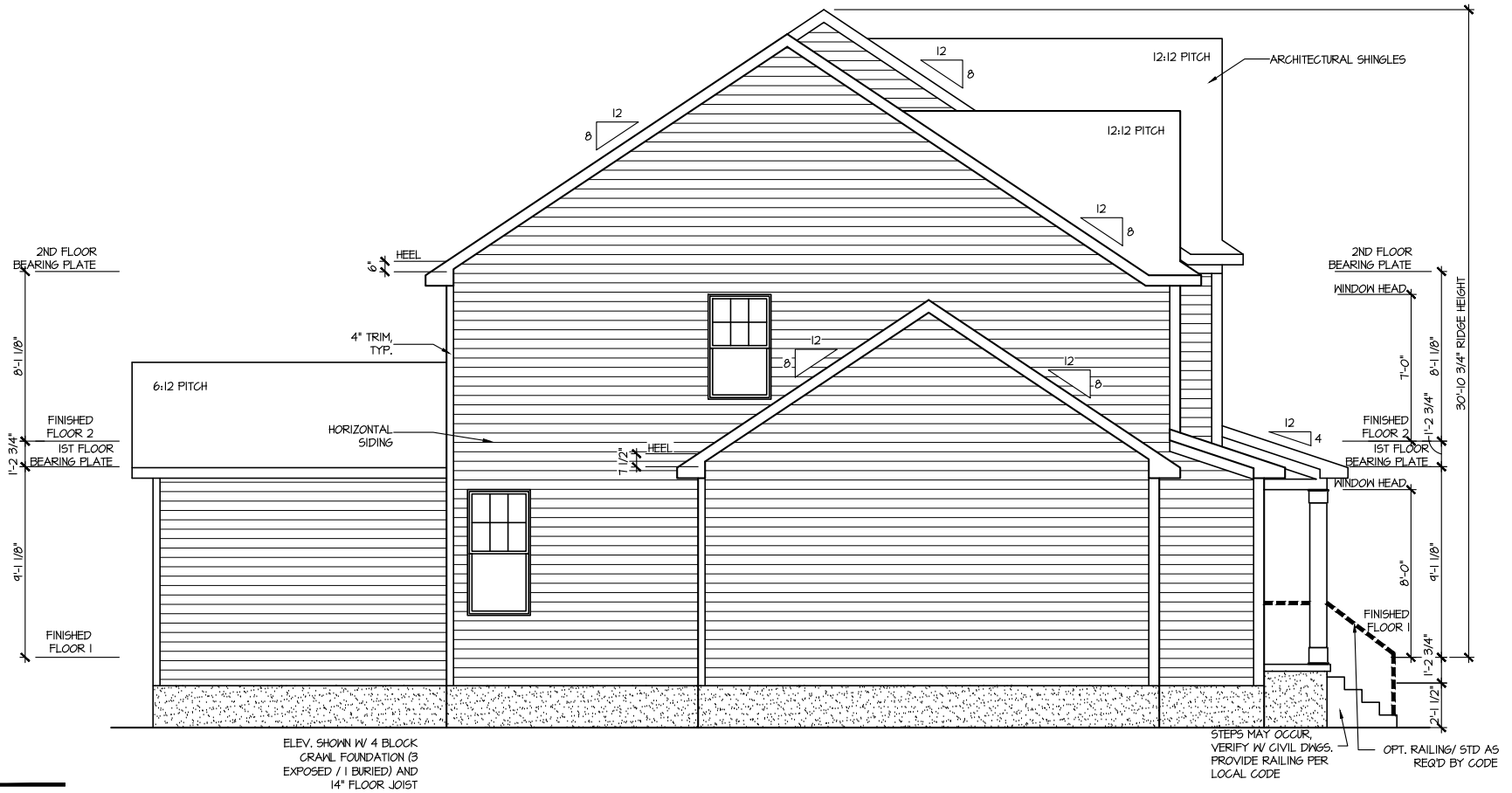


HOUSE NAME: STONEFIELD
DRAWING TITLE: FRONT & REAR ELEVATIONS

SHEET No. A.1



RIGHT ELEVATION I
SCALE: 1/8" = 1'-0"



LEFT ELEVATION I
SCALE: 1/8" = 1'-0"

FILE: Lot_00.0014.dwg DATE: 10/5/2024 4:33 PM

MASTER PLAN INFORMATION	
REVISION	DATE
3-RALE	07-31-2024
UPDATED DATE	09-12-2024

DRAWN BY: ITS
DATE: 10/05/2024
PLAN NO. 1635



HOUSE NAME: STONEFIELD
DRAWING TITLE: RIGHT & LEFT ELEVATIONS

SHEET No. A1.2

ATTIC VENT CALCULATION FOR PLAN 'I'

UPPER ROOF VENTILATION CALCULATIONS:
 ROOF AREA 1 = 1194 SQ. FT.
OVERALL REQUIRED VENTILATION:
 1 TO 150 = 11.9 SQ. FT.
 1 TO 300 = 5.97 SQ. FT.
 50% IN TOP THIRD = 2.97 SQ. FT. (1 TO 300)
 NET FREE AREA OF VENTED SOFFIT = 5.1 SQ. IN. / LINEAR FT.
 NET FREE AREA OF RIDGE VENT = 10 SQ. IN. / LINEAR FT.
LOWER VENTING (BOTTOM 2/3 RDS):
 36 LINEAR FEET OF SOFFIT X 5.1 SQ. IN. = 3.006 SQ. FT.
UPPER VENTING (TOP 1/3 RDS):
 24 LINEAR FEET OF RIDGE X 10 SQ. IN. = 3 SQ. FT.
 3 SQ. FT. AT 50%
 (1 TO 300 ALLOWED)

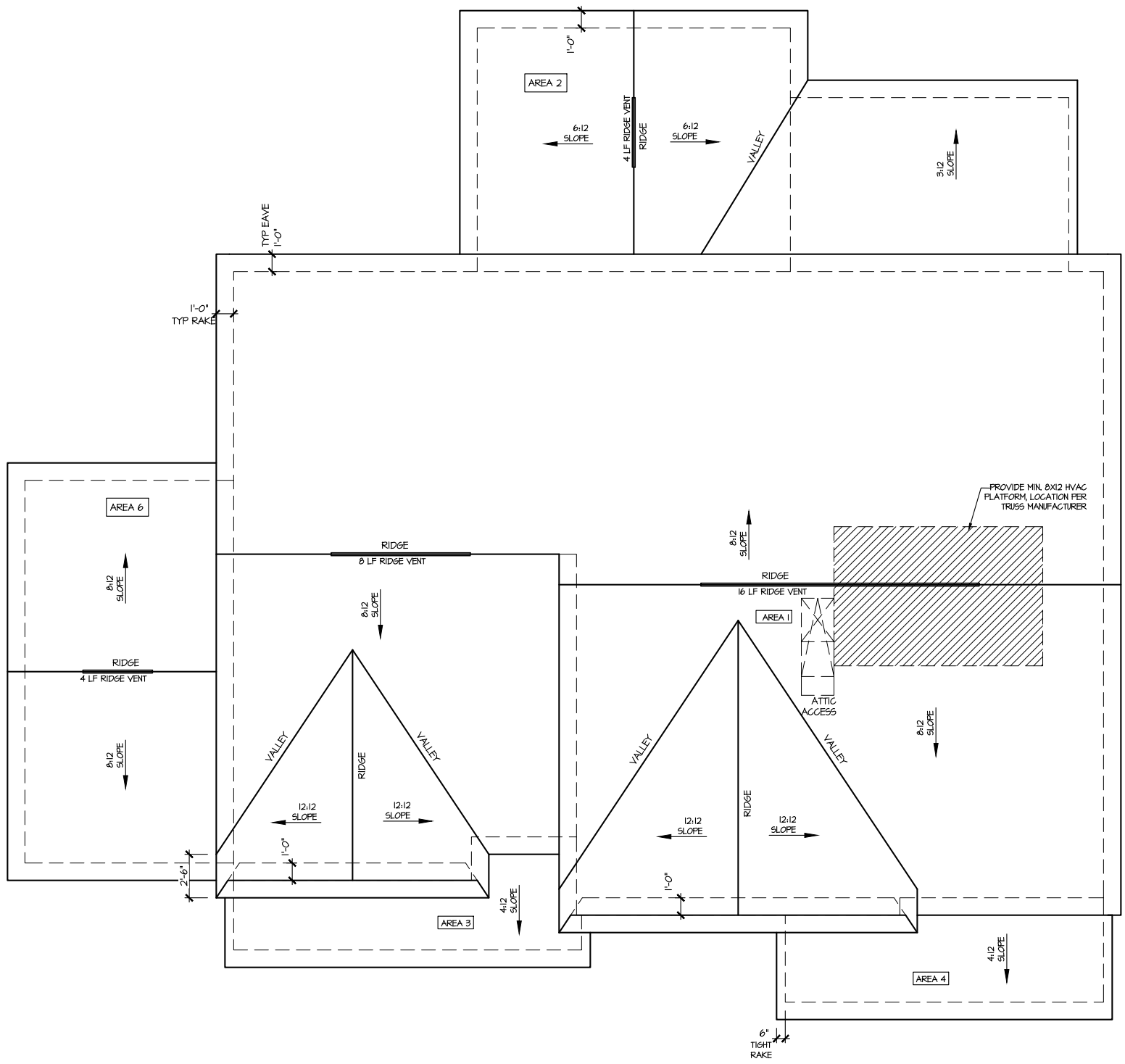
UPPER ROOF VENTILATION CALCULATIONS:
 ROOF AREA 2 = 252 SQ. FT.
OVERALL REQUIRED VENTILATION:
 1 TO 150 = 1.68 SQ. FT.
 1 TO 300 = 0.84 SQ. FT.
 50% IN TOP THIRD = 0.42 SQ. FT. (1 TO 300)
 NET FREE AREA OF VENTED SOFFIT = 5.1 SQ. IN. / LINEAR FT.
 NET FREE AREA OF RIDGE VENT = 10 SQ. IN. / LINEAR FT.
LOWER VENTING (BOTTOM 2/3 RDS):
 11 LINEAR FEET OF SOFFIT X 5.1 SQ. IN. = 0.495 SQ. FT.
UPPER VENTING (TOP 1/3 RDS):
 4 LINEAR FEET OF RIDGE X 10 SQ. IN. = 0.5 SQ. FT.
 0.5 SQ. FT. AT 50%
 (1 TO 300 ALLOWED)

UPPER ROOF VENTILATION CALCULATIONS:
 ROOF AREA 3 = 45 SQ. FT.
OVERALL REQUIRED VENTILATION:
 1 TO 150 = 0.63 SQ. FT.
 1 TO 300 = 0.315 SQ. FT.
 50% IN TOP THIRD = 0.158 SQ. FT. (1 TO 300)
 NET FREE AREA OF VENTED SOFFIT = 5.1 SQ. IN. / LINEAR FT.
 NET FREE AREA OF RIDGE VENT = 10 SQ. IN. / LINEAR FT.
LOWER VENTING (BOTTOM 2/3 RDS):
 4 LINEAR FEET OF SOFFIT X 5.1 SQ. IN. = 0.204 SQ. FT.
UPPER VENTING (TOP 1/3 RDS):
 2 LINEAR FEET OF RIDGE X 10 SQ. IN. = 0.25 SQ. FT.
 1 SQ. FT. BETWEEN 50%
 (1 TO 300 ALLOWED)

UPPER ROOF VENTILATION CALCULATIONS:
 ROOF AREA 4 = 109 SQ. FT.
OVERALL REQUIRED VENTILATION:
 1 TO 150 = 0.691 SQ. FT.
 1 TO 300 = 0.345 SQ. FT.
 50% IN TOP THIRD = 0.172 SQ. FT. (1 TO 300)
 NET FREE AREA OF VENTED SOFFIT = 5.1 SQ. IN. / LINEAR FT.
 NET FREE AREA OF RIDGE VENT = 10 SQ. IN. / LINEAR FT.
LOWER VENTING (BOTTOM 2/3 RDS):
 3 LINEAR FEET OF SOFFIT X 5.1 SQ. IN. = 0.495 SQ. FT.
UPPER VENTING (TOP 1/3 RDS):
 2 LINEAR FEET OF RIDGE X 10 SQ. IN. = 0.25 SQ. FT.
 1 SQ. FT. AT 50%
 (1 TO 300 ALLOWED)

UPPER ROOF VENTILATION CALCULATIONS:
 ROOF AREA 6 = 234 SQ. FT.
OVERALL REQUIRED VENTILATION:
 1 TO 150 = 1.53 SQ. FT.
 1 TO 300 = 0.765 SQ. FT.
 50% IN TOP THIRD = 0.382 SQ. FT. (1 TO 300)
 NET FREE AREA OF VENTED SOFFIT = 5.1 SQ. IN. / LINEAR FT.
 NET FREE AREA OF RIDGE VENT = 10 SQ. IN. / LINEAR FT.
LOWER VENTING (BOTTOM 2/3 RDS):
 10 LINEAR FEET OF SOFFIT X 5.1 SQ. IN. = 0.396 SQ. FT.
UPPER VENTING (TOP 1/3 RDS):
 4 LINEAR FEET OF RIDGE X 10 SQ. IN. = 0.5 SQ. FT.
 1 SQ. FT. AT 50%
 (1 TO 300 ALLOWED)

NOTE: ROOF PLANS SHOWN W/ MIN. REQ'D RIDGE VENT LOCATIONS.
 ACTUAL RIDGE VENT LOCATIONS AND QUANTITY PER BUILDER



ROOF PLAN ELEV. I
 SCALE: 1/8" = 1'-0"

FILE: Lot_00,0014.dwg DATE: 10/5/2024 4:33 PM

MASTER PLAN INFORMATION	
REVISION	DATE
3-RALE	07-31-2024
UPDATED DATE	09-12-2024

DRAWN BY: ITS
 DATE: 10/05/2024
 PLAN NO. 1635



HOUSE NAME: STONEFIELD
 DRAWING TITLE: ROOF PLAN

SHEET No. A.3

CRAWL SPACE VENT CALCULATIONS: ELEV 1
 CRAWL AREA = 1542 SQ. FT.
OVERALL REQUIRED VENTILATION:
 1 SQ. IN. PER 1 SQ. FT. = 1542 SQ. IN.

NET FREE AREA OF VENT = 72 SQ. IN. PER VENT
 WITHIN AUTOMATIC VENT OAL-1 OR EQUAL

VENTING REQUIREMENT:
 1542 SQ. IN. / 72 SQ. IN. = 21.4 VENTS = 22 VENTS

ONLY VENTS ON THE FRONT ELEVATION ARE SHOWN.
 ALL OTHERS TO BE FIELD LOCATED.
 VENTS SHALL BE INSTALLED PER R322.2.2 - R322.2.2.1

CRAWL SPACE VENT CALCULATIONS: OPT. BED 5/BA 3
 CRAWL AREA = 54 SQ. FT.
OVERALL REQUIRED VENTILATION:
 1 SQ. IN. PER 1 SQ. FT. = 54 SQ. IN.

NET FREE AREA OF VENT = 72 SQ. IN. PER VENT
 WITHIN AUTOMATIC VENT OAL-1 OR EQUAL

VENTING REQUIREMENT:
 54 SQ. IN. / 72 SQ. IN. = .8 VENTS = 1 VENTS

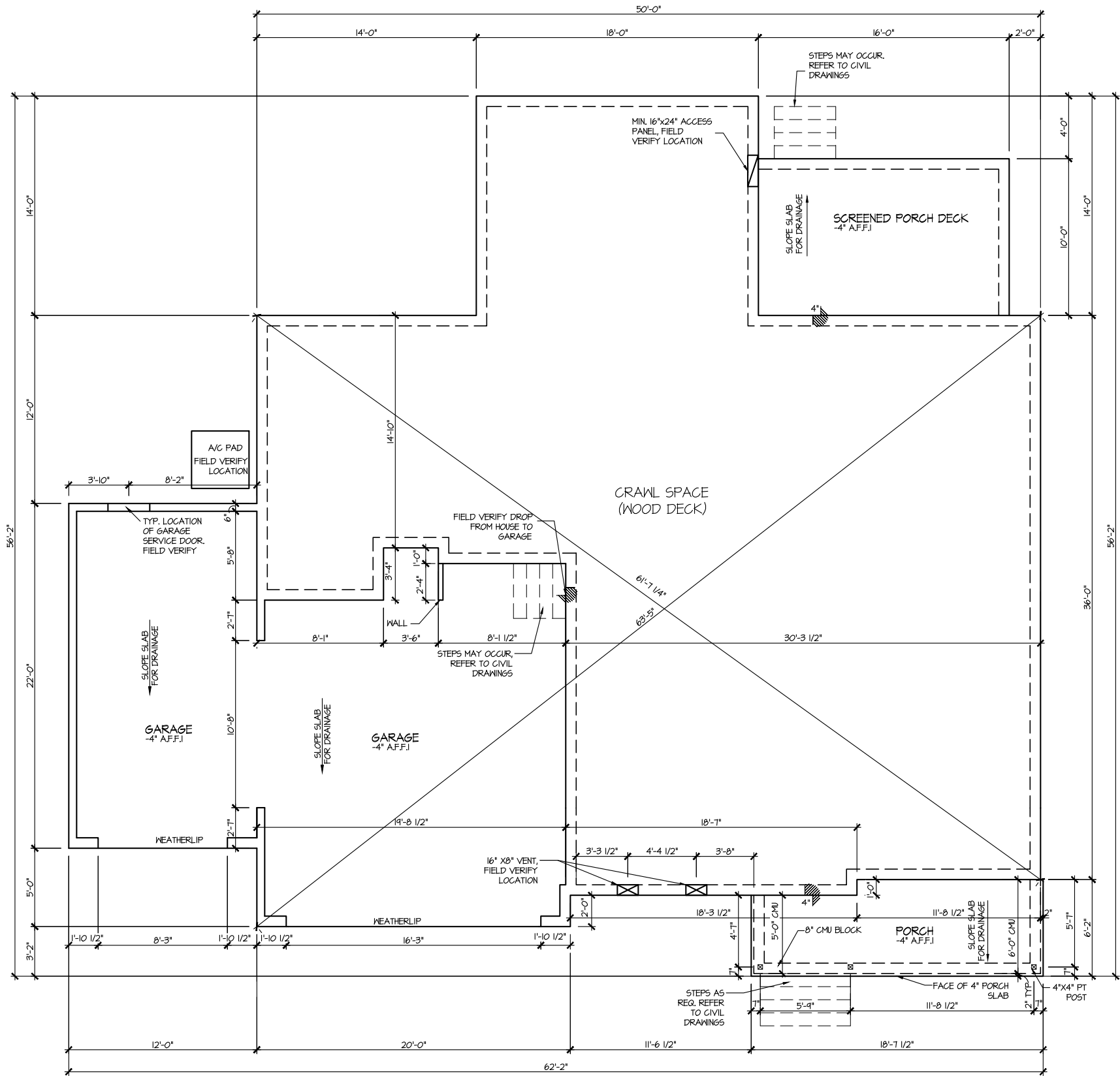
ONLY VENTS ON THE FRONT ELEVATION ARE SHOWN. ALL
 OTHERS TO BE FIELD LOCATED.
 VENTS SHALL BE INSTALLED PER R322.2.2 - R322.2.2.1

CRAWL SPACE VENT CALCULATIONS: OPT. EXT. BRKFST.
 CRAWL AREA = 93 SQ. FT.
OVERALL REQUIRED VENTILATION:
 1 SQ. IN. PER 1 SQ. FT. = 93 SQ. IN.

NET FREE AREA OF VENT = 72 SQ. IN. PER VENT
 WITHIN AUTOMATIC VENT OAL-1 OR EQUAL

VENTING REQUIREMENT:
 93 SQ. IN. / 72 SQ. IN. = 1.3 VENTS = 2 VENTS

ONLY VENTS ON THE FRONT ELEVATION ARE SHOWN.
 ALL OTHERS TO BE FIELD LOCATED.
 VENTS SHALL BE INSTALLED PER R322.2.2 - R322.2.2.1



**ELEVATION 1
 CRAWL SPACE PLAN**
 SCALE: 1/8" = 1'-0"

FILE: Lot_00,0014.dwg DATE: 10/5/2024 4:33 PM

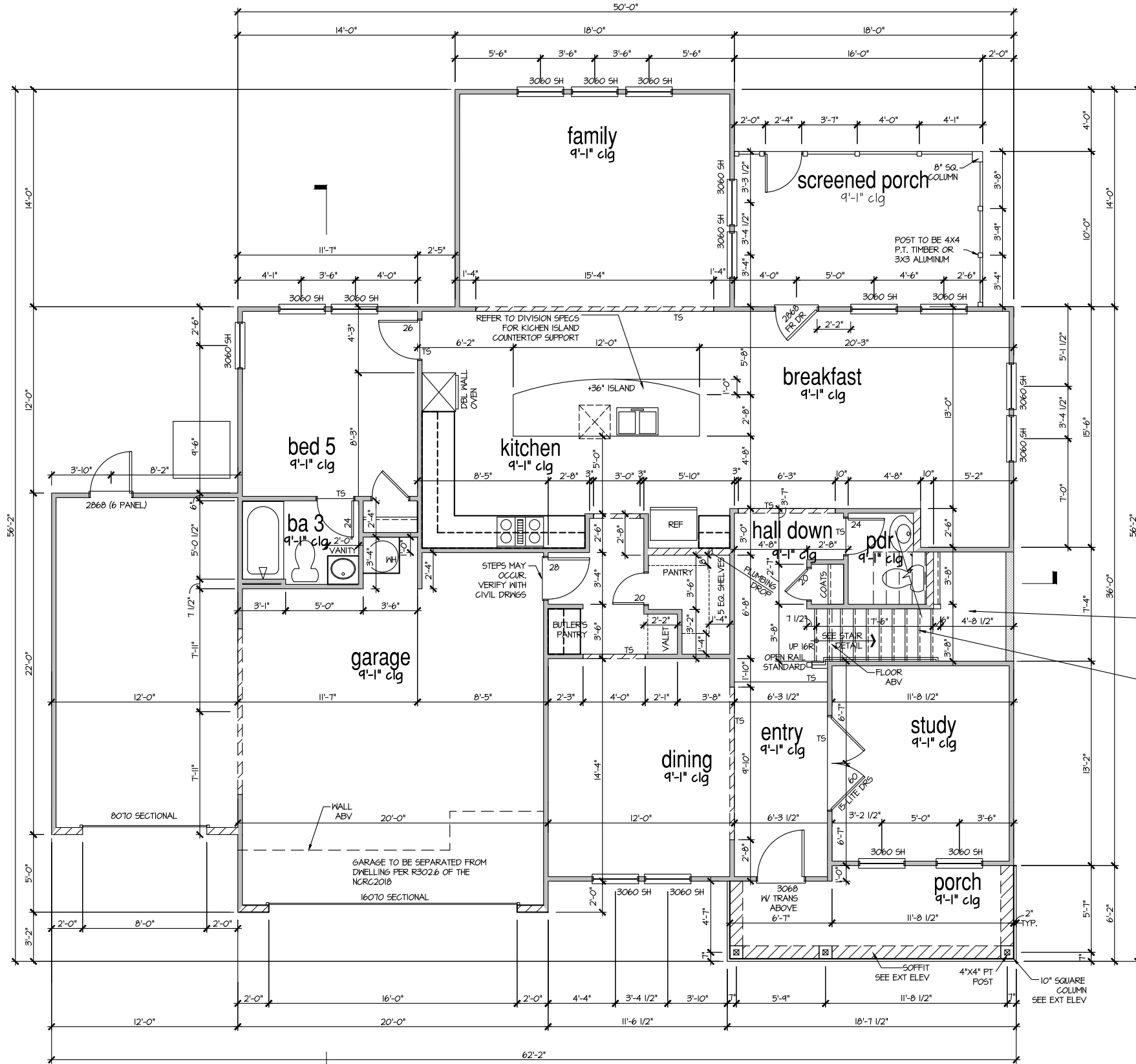
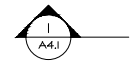
MASTER PLAN INFORMATION	
REVISION	DATE
3-RALE	07-31-2024
UPDATED DATE	09-12-2024

DRAWN BY: ITS
 DATE: 10/05/2024
 PLAN NO. 1635



HOUSE NAME: STONEFIELD
 DRAWING TITLE: CRAWL SPACE PLAN

SHEET No. A2.1



STAIRS TO BE DESIGNED PER R311.15 OF THE NRC2018 CODE
MIN. 4" TREAD DEPTH
MAX. 8 1/4" RISER HEIGHT

BOXED OAK STAIR TREADS WITH PAINTED RISERS INTERIOR STAIRCASE

**ELEVATION 1
FIRST FLOOR PLAN**

SCALE: 1/8" = 1'-0"

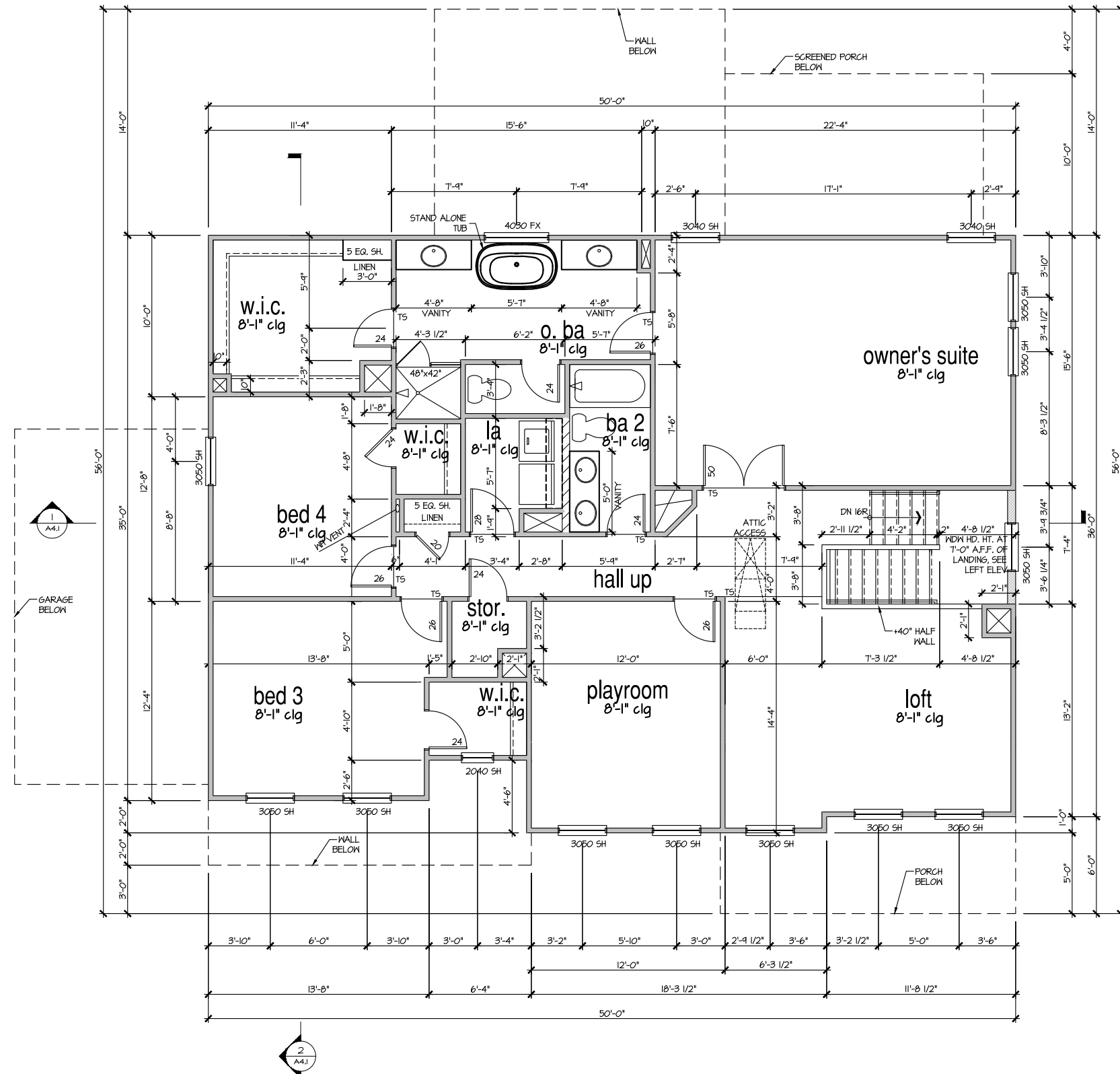
MASTER PLAN INFORMATION	
REVISION	DATE
3-RALE	07-31-2024
UPDATED DATE	09-12-2024

DRAWN BY: ITS
DATE: 10/05/2024
PLAN NO. 1635



HOUSE NAME: STONEFIELD
DRAWING TITLE: FIRST FLOOR PLAN

SHEET No. A3.1



ELEVATION I
SECOND FLOOR PLAN
SCALE: 1/8" = 1'-0"

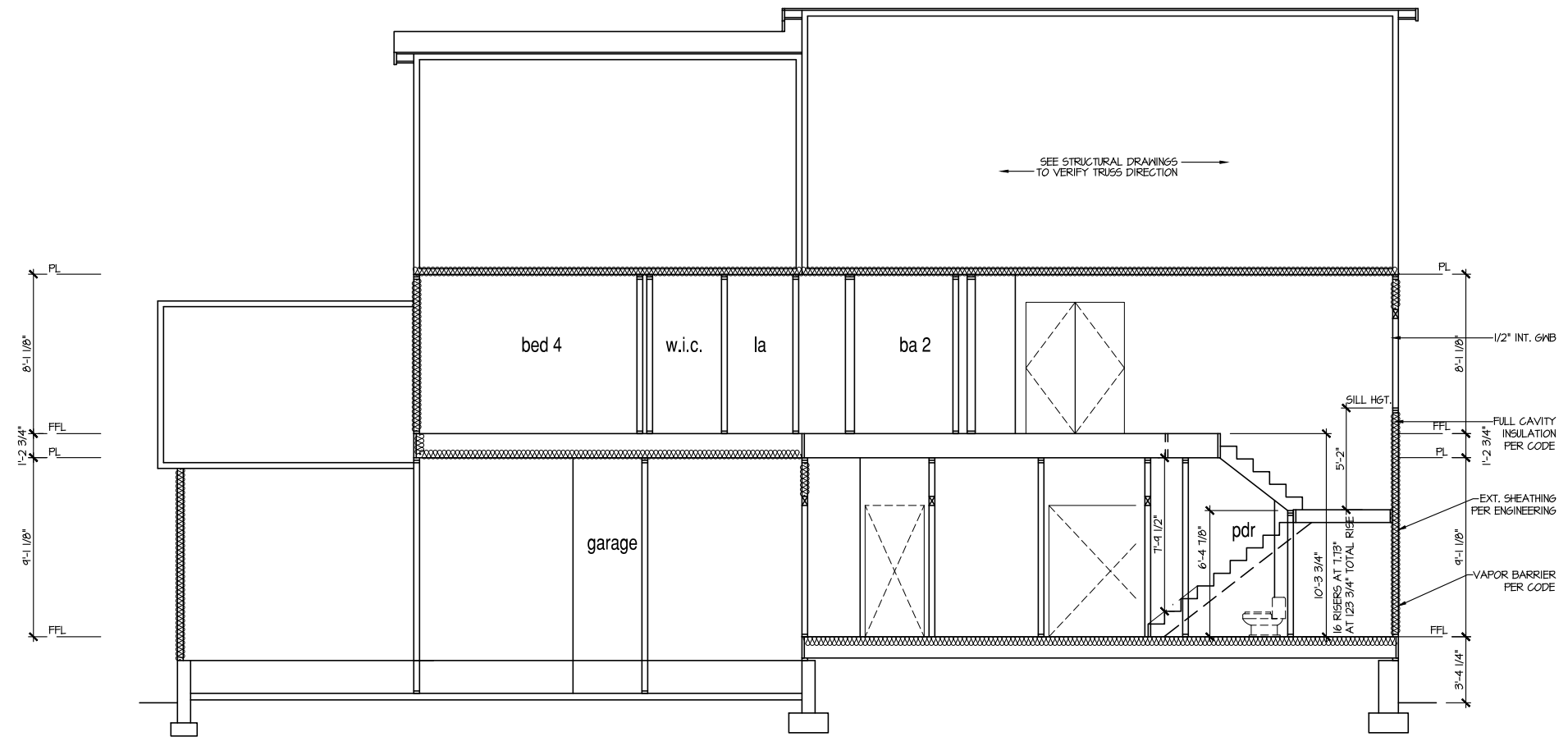
MASTER PLAN INFORMATION	
REVISION	DATE
3-RALE	07-31-2024
UPDATED DATE	09-12-2024

DRAWN BY:	ITS
DATE:	10/05/2024
PLAN NO.	1635

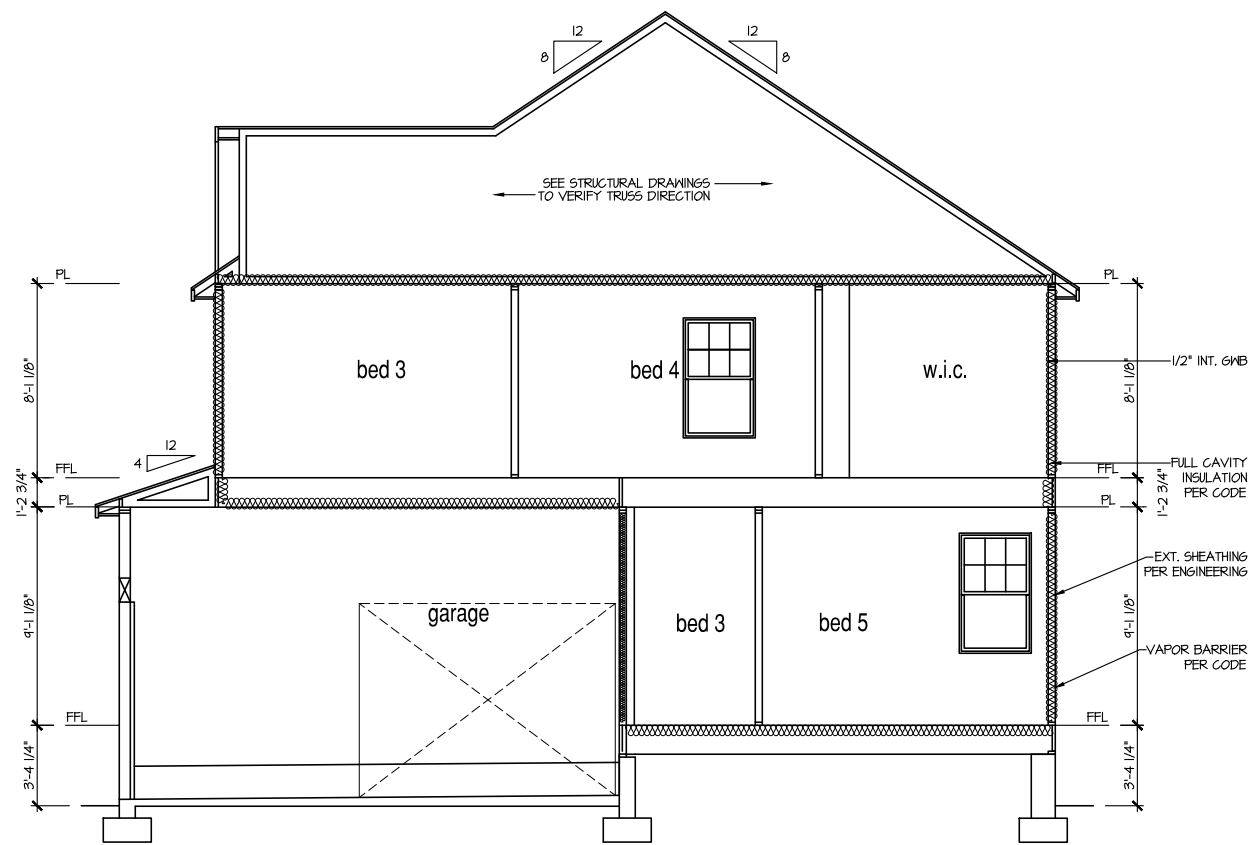


HOUSE NAME:
STONEFIELD
DRAWING TITLE
SECOND FLOOR PLAN

SHEET No.
A3.2



SECTION 1
SCALE: 1/8" = 1'-0"



SECTION 2
SCALE: 1/8" = 1'-0"

9'-1" STAIR NOTE:
 (USE 14" T.J. WITH 3/4" PLYWOOD SUBFLOOR)
 15 TREADS AT 10" EACH VERIFY
 16 RISERS AT +/- 1.73" = 123 3/4" TOTAL
 RISE VERIFY

- NOTES:**
- BUILDING SECTIONS SHOWN HERE DEPICT VOLUMN SPACES WITHIN THE STRUCTURE. REFER TO STRUCTURAL DRAWINGS, TRUSS DRAWINGS, STRUCTURAL DETAILS AND CALCULATIONS BY OTHER FOR ALL STRUCTURAL INFO.
 - ROOFING: PITCHED SHINGLE ROOF. REFER TO ROOF PLAN FOR TYPICALS.
 - WOOD FLOORS: FLOOR SHEATHING OVER FLOOR JOIST. REFER TO STRUCTURAL AND TRUSS DRAWINGS BY OTHERS.
 - INSULATION:
 EXTERIOR WALLS: R-13 BATTIS MINIMUM. VERIFY
 CEILING WITH ATTIC ABOVE: R-30 BATTIS MINIMUM. VERIFY
 FLOOR OVER GARAGE: R-14 BATTIS MINIMUM. VERIFY
 ATTIC KNEEWALL: R-14 BATTIS MINIMUM. VERIFY
- PER STATE RESIDENTIAL CODE COMPLIANCE METHOD TO BE DETERMINED BY BUILDER.

FILE: Lot_00.0014.dwg DATE: 10/5/2024 4:33 PM

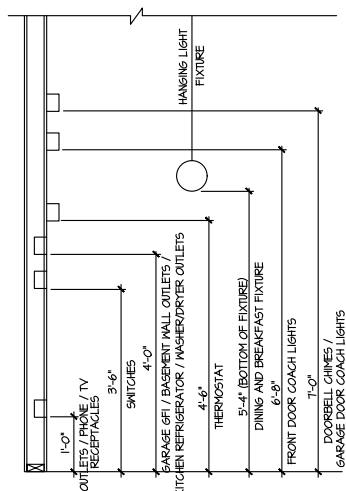
MASTER PLAN INFORMATION	
REVISION	DATE
3--RALE	07-31-2024
UPDATED DATE	09-12-2024

DRAWN BY: ITS
 DATE: 10/05/2024
 PLAN NO. 1635

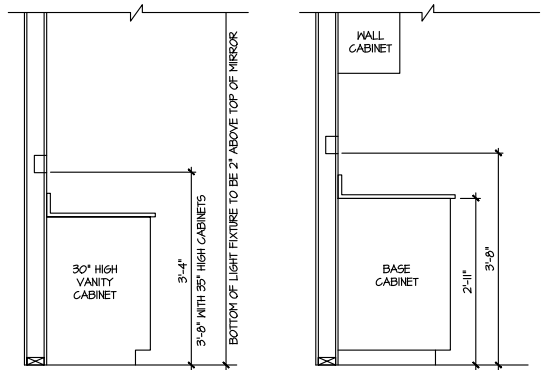


HOUSE NAME: STONEFIELD
 DRAWING TITLE: BUILDING SECTION

SHEET No. A4.1

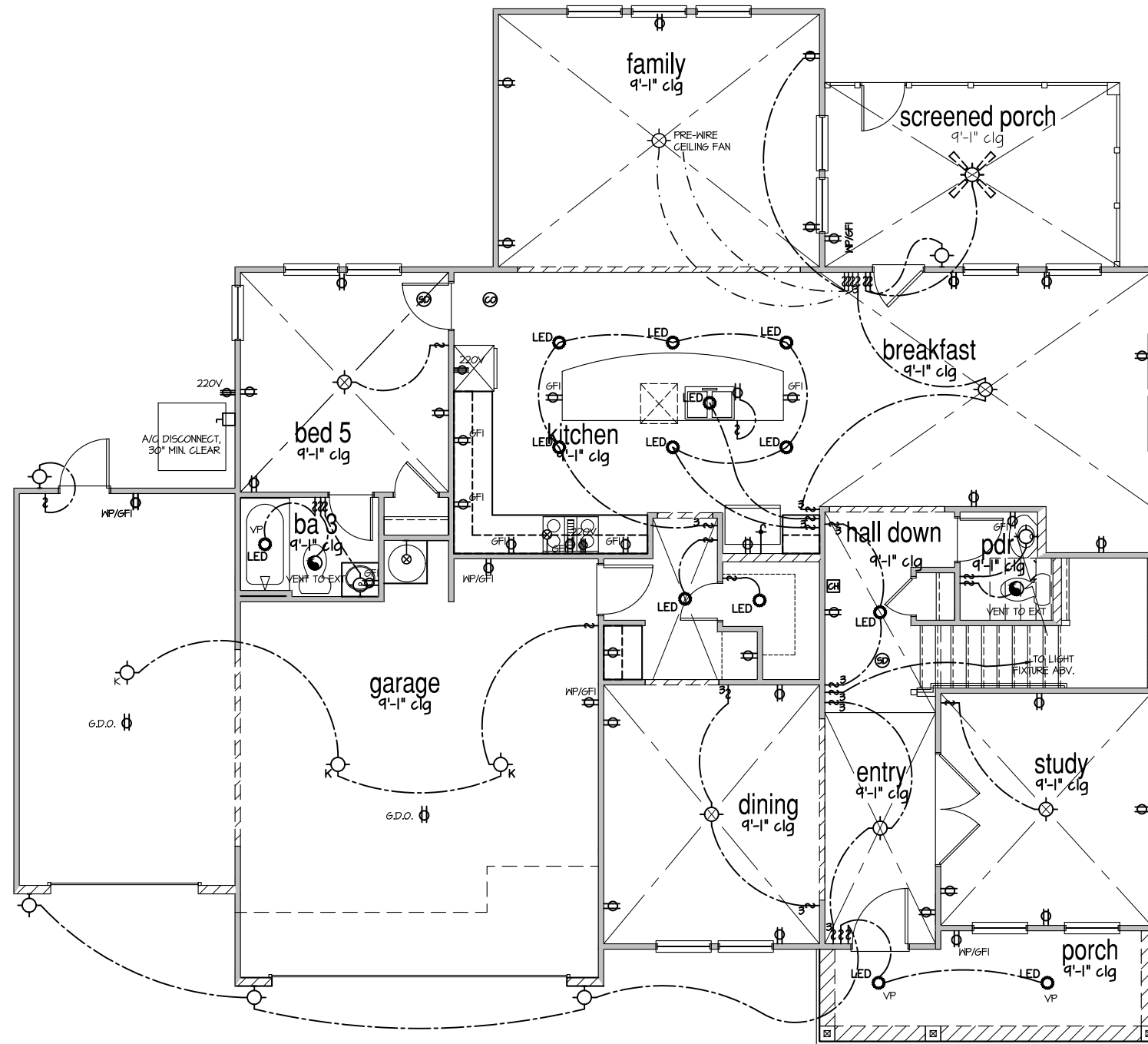


STANDARD ELECTRICAL BOX HEIGHTS



SWITCH AND RECEPTACLE BOXES OVER BATH CABINETS

SWITCH AND RECEPTACLE BOXES OVER KITCHEN CABINETS



- NOTES:
- PROVIDE AND INSTALL LOGICALLY CERTIFIED SMOKE DETECTORS AND CO2 DETECTORS AS REQUIRED BY NATIONAL FIRE PROTECTION ASSOCIATION (NFPA) AND MEETING THE REQUIREMENTS OF ALL GOVERNING CODES.
 - PROVIDE AND INSTALL GROUND FAULT CIRCUIT-INTERRUPTERS (GFI) AS REQUIRED BY NATIONAL ELECTRICAL CODE (NEC) AND MEETING THE REQUIREMENTS OF ALL GOVERNING CODES.
 - ELECTRICAL CONTRACTOR TO PROVIDE REQUIRED DIRECT HOOK-UPS/CUTOFFS.
 - HVAC CONTRACTOR TO VERIFY THERMOSTAT LOCATIONS.
 - ALL ELECTRICAL AND MECHANICAL EQUIPMENT (FURNACES, A/C UNITS, ELECTRICAL PANELS, SANITARY SUMP PITS, DRAIN TILE PUMP, AND WATER HEATERS) ARE SUBJECT TO RELOCATION DUE TO FIELD CONDITIONS.
 - PROVIDE POWER, LIGHT AND SWITCH AS REQUIRED FOR ATTIC FURNACE PER CODE AND MANUFACTURER'S WRITTEN INSTRUCTIONS.
 - CLOSET LIGHTS TO BE FLUORESCENT FIXTURES FOR NC & INCANDESCENT CLG. MOUNTED FIXTURES FOR ALL OTHER AREAS.

LEGEND:			
⊕	AFCI DUPLEX OUTLET	⊗	CEILING MOUNTED INCANDESCENT LIGHT FIXTURE
⊕ WP/GFI	WEATHERPROOF GFI AFCI DUPLEX OUTLET	⊙	KEYLESS LIGHT
⊕ GFI	GROUND FAULT CIRCUIT-INTERRUPTER AFCI DUPLEX OUTLET	⊗	WALL MOUNTED INCANDESCENT LIGHT FIXTURE
⊕	HALF-SWITCHED AFCI DUPLEX OUTLET	⊗	RECESSED LIGHT FIXTURE
⊕ 220V	220 VOLT AFCI OUTLET	LED	LED SURFACE MOUNTED
⊕	REINFORCED JUNCTION BOX	⊗	EXHAUST FAN (VENT TO EXTERIOR)
⊕	WALL SWITCH	⊗	EXHAUST FAN/LIGHT COMBINATION (VENT TO EXTERIOR)
⊕ 3	THREE-WAY SWITCH	⊗	TECH HUB SYSTEM
⊕ 4	FOUR-WAY SWITCH	⊗	
—	LED STRIP FIXTURE	⊗	
⊕	AFCI DUPLEX OUTLET	⊗	
⊕ WP/GFI	WEATHERPROOF GFI AFCI DUPLEX OUTLET	⊕	CEILING FAN (PROVIDE ADEQUATE SUPPORT)
⊕ GFI	GROUND FAULT CIRCUIT-INTERRUPTER AFCI DUPLEX OUTLET	⊕	CEILING FAN WITH INCANDESCENT LIGHT FIXTURE (PROVIDE ADEQUATE SUPPORT)
⊕ 220V	220 VOLT AFCI OUTLET	⊕	GAS SUPPLY WITH VALVE
⊕	REINFORCED JUNCTION BOX	⊕	HOSE BIBB
⊕	WALL SWITCH	⊕	1/4" WATER STUB OUT
⊕ 3	THREE-WAY SWITCH	⊕	
⊕ 4	FOUR-WAY SWITCH	⊕	
—	LED STRIP FIXTURE	⊕	
⊕	AFCI DUPLEX OUTLET	⊕	
⊕ WP/GFI	WEATHERPROOF GFI AFCI DUPLEX OUTLET	⊕	
⊕ GFI	GROUND FAULT CIRCUIT-INTERRUPTER AFCI DUPLEX OUTLET	⊕	
⊕ 220V	220 VOLT AFCI OUTLET	⊕	
⊕	REINFORCED JUNCTION BOX	⊕	
⊕	WALL SWITCH	⊕	
⊕ 3	THREE-WAY SWITCH	⊕	
⊕ 4	FOUR-WAY SWITCH	⊕	
—	LED STRIP FIXTURE	⊕	
⊕	AFCI DUPLEX OUTLET	⊕	
⊕ WP/GFI	WEATHERPROOF GFI AFCI DUPLEX OUTLET	⊕	
⊕ GFI	GROUND FAULT CIRCUIT-INTERRUPTER AFCI DUPLEX OUTLET	⊕	
⊕ 220V	220 VOLT AFCI OUTLET	⊕	
⊕	REINFORCED JUNCTION BOX	⊕	
⊕	WALL SWITCH	⊕	
⊕ 3	THREE-WAY SWITCH	⊕	
⊕ 4	FOUR-WAY SWITCH	⊕	
—	LED STRIP FIXTURE	⊕	
⊕	AFCI DUPLEX OUTLET	⊕	
⊕ WP/GFI	WEATHERPROOF GFI AFCI DUPLEX OUTLET	⊕	
⊕ GFI	GROUND FAULT CIRCUIT-INTERRUPTER AFCI DUPLEX OUTLET	⊕	
⊕ 220V	220 VOLT AFCI OUTLET	⊕	
⊕	REINFORCED JUNCTION BOX	⊕	
⊕	WALL SWITCH	⊕	
⊕ 3	THREE-WAY SWITCH	⊕	
⊕ 4	FOUR-WAY SWITCH	⊕	
—	LED STRIP FIXTURE	⊕	
⊕	AFCI DUPLEX OUTLET	⊕	
⊕ WP/GFI	WEATHERPROOF GFI AFCI DUPLEX OUTLET	⊕	
⊕ GFI	GROUND FAULT CIRCUIT-INTERRUPTER AFCI DUPLEX OUTLET	⊕	
⊕ 220V	220 VOLT AFCI OUTLET	⊕	
⊕	REINFORCED JUNCTION BOX	⊕	
⊕	WALL SWITCH	⊕	
⊕ 3	THREE-WAY SWITCH	⊕	
⊕ 4	FOUR-WAY SWITCH	⊕	
—	LED STRIP FIXTURE	⊕	
⊕	AFCI DUPLEX OUTLET	⊕	
⊕ WP/GFI	WEATHERPROOF GFI AFCI DUPLEX OUTLET	⊕	
⊕ GFI	GROUND FAULT CIRCUIT-INTERRUPTER AFCI DUPLEX OUTLET	⊕	
⊕ 220V	220 VOLT AFCI OUTLET	⊕	
⊕	REINFORCED JUNCTION BOX	⊕	
⊕	WALL SWITCH	⊕	
⊕ 3	THREE-WAY SWITCH	⊕	
⊕ 4	FOUR-WAY SWITCH	⊕	
—	LED STRIP FIXTURE	⊕	
⊕	AFCI DUPLEX OUTLET	⊕	
⊕ WP/GFI	WEATHERPROOF GFI AFCI DUPLEX OUTLET	⊕	
⊕ GFI	GROUND FAULT CIRCUIT-INTERRUPTER AFCI DUPLEX OUTLET	⊕	
⊕ 220V	220 VOLT AFCI OUTLET	⊕	
⊕	REINFORCED JUNCTION BOX	⊕	
⊕	WALL SWITCH	⊕	
⊕ 3	THREE-WAY SWITCH	⊕	
⊕ 4	FOUR-WAY SWITCH	⊕	
—	LED STRIP FIXTURE	⊕	
⊕	AFCI DUPLEX OUTLET	⊕	
⊕ WP/GFI	WEATHERPROOF GFI AFCI DUPLEX OUTLET	⊕	
⊕ GFI	GROUND FAULT CIRCUIT-INTERRUPTER AFCI DUPLEX OUTLET	⊕	
⊕ 220V	220 VOLT AFCI OUTLET	⊕	
⊕	REINFORCED JUNCTION BOX	⊕	
⊕	WALL SWITCH	⊕	
⊕ 3	THREE-WAY SWITCH	⊕	
⊕ 4	FOUR-WAY SWITCH	⊕	
—	LED STRIP FIXTURE	⊕	
⊕	AFCI DUPLEX OUTLET	⊕	
⊕ WP/GFI	WEATHERPROOF GFI AFCI DUPLEX OUTLET	⊕	
⊕ GFI	GROUND FAULT CIRCUIT-INTERRUPTER AFCI DUPLEX OUTLET	⊕	
⊕ 220V	220 VOLT AFCI OUTLET	⊕	
⊕	REINFORCED JUNCTION BOX	⊕	
⊕	WALL SWITCH	⊕	
⊕ 3	THREE-WAY SWITCH	⊕	
⊕ 4	FOUR-WAY SWITCH	⊕	
—	LED STRIP FIXTURE	⊕	
⊕	AFCI DUPLEX OUTLET	⊕	
⊕ WP/GFI	WEATHERPROOF GFI AFCI DUPLEX OUTLET	⊕	
⊕ GFI	GROUND FAULT CIRCUIT-INTERRUPTER AFCI DUPLEX OUTLET	⊕	
⊕ 220V	220 VOLT AFCI OUTLET	⊕	
⊕	REINFORCED JUNCTION BOX	⊕	
⊕	WALL SWITCH	⊕	
⊕ 3	THREE-WAY SWITCH	⊕	
⊕ 4	FOUR-WAY SWITCH	⊕	
—	LED STRIP FIXTURE	⊕	
⊕	AFCI DUPLEX OUTLET	⊕	
⊕ WP/GFI	WEATHERPROOF GFI AFCI DUPLEX OUTLET	⊕	
⊕ GFI	GROUND FAULT CIRCUIT-INTERRUPTER AFCI DUPLEX OUTLET	⊕	
⊕ 220V	220 VOLT AFCI OUTLET	⊕	
⊕	REINFORCED JUNCTION BOX	⊕	
⊕	WALL SWITCH	⊕	
⊕ 3	THREE-WAY SWITCH	⊕	
⊕ 4	FOUR-WAY SWITCH	⊕	
—	LED STRIP FIXTURE	⊕	
⊕	AFCI DUPLEX OUTLET	⊕	
⊕ WP/GFI	WEATHERPROOF GFI AFCI DUPLEX OUTLET	⊕	
⊕ GFI	GROUND FAULT CIRCUIT-INTERRUPTER AFCI DUPLEX OUTLET	⊕	
⊕ 220V	220 VOLT AFCI OUTLET	⊕	
⊕	REINFORCED JUNCTION BOX	⊕	
⊕	WALL SWITCH	⊕	
⊕ 3	THREE-WAY SWITCH	⊕	
⊕ 4	FOUR-WAY SWITCH	⊕	
—	LED STRIP FIXTURE	⊕	
⊕	AFCI DUPLEX OUTLET	⊕	
⊕ WP/GFI	WEATHERPROOF GFI AFCI DUPLEX OUTLET	⊕	
⊕ GFI	GROUND FAULT CIRCUIT-INTERRUPTER AFCI DUPLEX OUTLET	⊕	
⊕ 220V	220 VOLT AFCI OUTLET	⊕	
⊕	REINFORCED JUNCTION BOX	⊕	
⊕	WALL SWITCH	⊕	
⊕ 3	THREE-WAY SWITCH	⊕	
⊕ 4	FOUR-WAY SWITCH	⊕	
—	LED STRIP FIXTURE	⊕	

ELECTRICAL PLAN
FIRST FLOOR - ELEV. 1

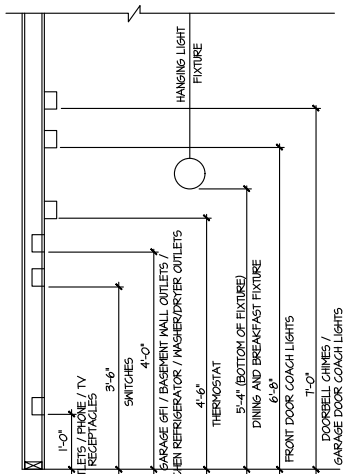
SCALE: 1/8" = 1'-0"

MASTER PLAN INFORMATION	
REVISION	DATE
3-RALE	07-31-2024
UPDATED DATE	09-12-2024

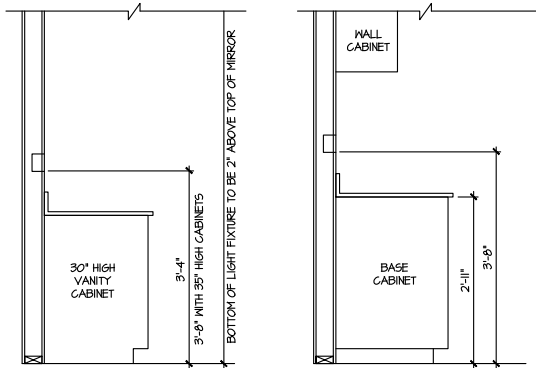
DRAWN BY:	ITS
DATE:	10/05/2024
PLAN NO.	1635



HOUSE NAME:
STONEFIELD
DRAWING TITLE
FIRST FLOOR ELECTRICAL
SHEET No.

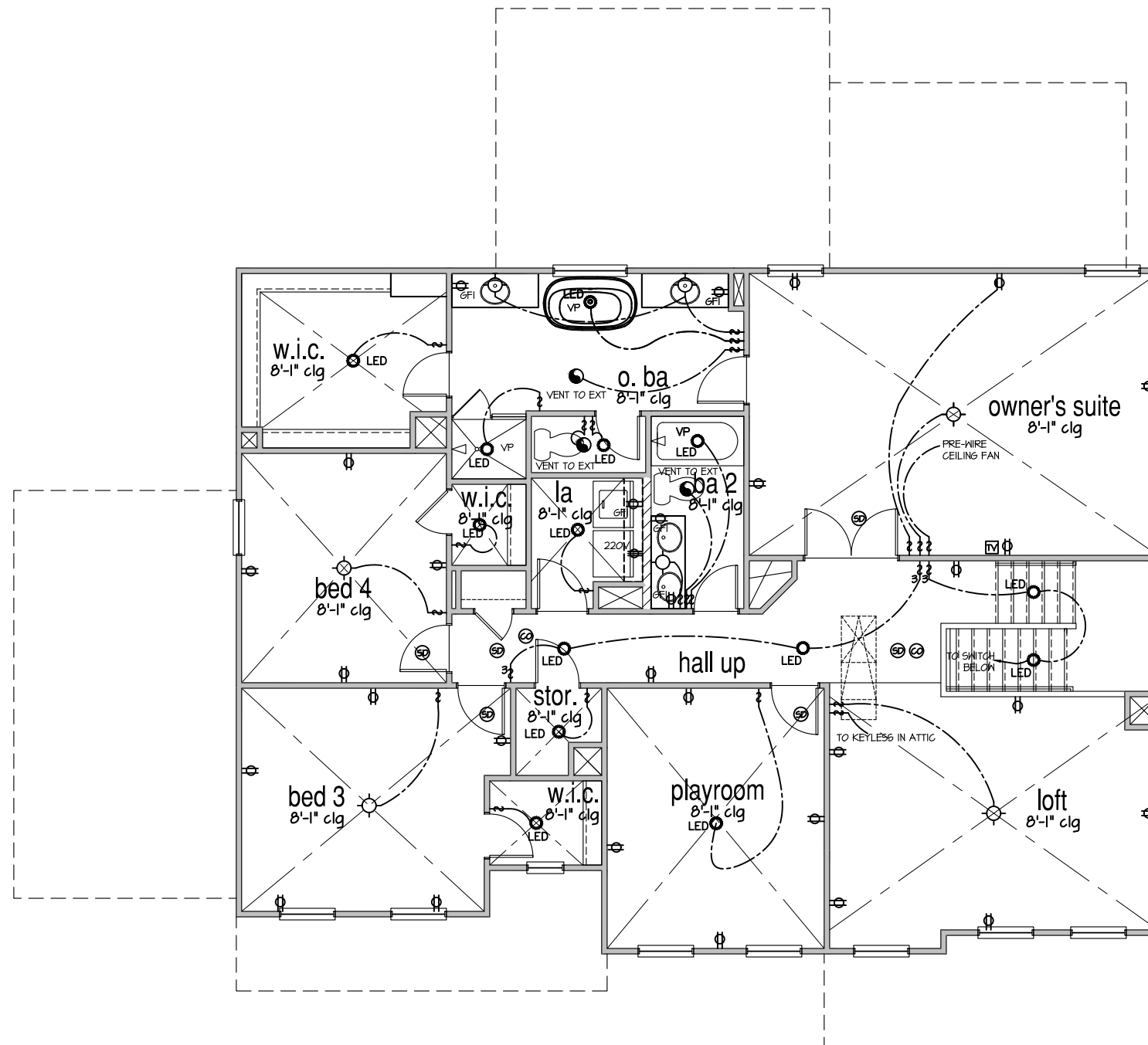


STANDARD ELECTRICAL BOX HEIGHTS



SWITCH AND RECEPTACLE BOXES OVER BATH CABINETS

SWITCH AND RECEPTACLE BOXES OVER KITCHEN CABINETS



NOTES:

- PROVIDE AND INSTALL LOCALLY CERTIFIED SMOKE DETECTORS AND CO2 DETECTORS AS REQUIRED BY NATIONAL FIRE PROTECTION ASSOCIATION (NFPA) AND MEETING THE REQUIREMENTS OF ALL GOVERNING CODES.
- PROVIDE AND INSTALL GROUND FAULT CIRCUIT-INTERRUPTERS (GFI) AS REQUIRED BY NATIONAL ELECTRICAL CODE (NEC) AND MEETING THE REQUIREMENTS OF ALL GOVERNING CODES.
- ELECTRICAL CONTRACTOR TO PROVIDE REQUIRED DIRECT HOOK-UPS/CUTOFFS.
- HVAC CONTRACTOR TO VERIFY THERMOSTAT LOCATIONS.
- ALL ELECTRICAL AND MECHANICAL EQUIPMENT (FURNACES, A/C UNITS, ELECTRICAL PANELS, SANITARY SUMP PITS, DRAIN TILE SUMP, AND WATER HEATERS) ARE SUBJECT TO RELOCATION DUE TO FIELD CONDITIONS.
- PROVIDE POWER, LIGHT AND SWITCH AS REQUIRED FOR ATTIC FURNACE PER CODE AND MANUFACTURER'S WRITTEN INSTRUCTIONS.
- CLOSET LIGHTS TO BE FLOURESCENT FIXTURES FOR NC & INCANDESCENT CLG. MOUNTED FIXTURES FOR ALL OTHER AREAS.

LEGEND:

⊕	AFCI DUPLEX OUTLET	☉	CEILING MOUNTED INCANDESCENT LIGHT FIXTURE	☎	CHIMES	⊗	CEILING FAN (PROVIDE ADEQUATE SUPPORT)
⊕W/GFI	WEATHERPROOF GFI AFGI DUPLEX OUTLET	☐	KEYLESS LIGHT	⊞	PUSHBUTTON SWITCH	⊗	CEILING FAN WITH INCANDESCENT LIGHT FIXTURE (PROVIDE ADEQUATE SUPPORT)
⊕GFI	GROUND-FAULT CIRCUIT-INTERRUPTER AFGI DUPLEX OUTLET	☉	HALL MOUNTED INCANDESCENT LIGHT FIXTURE	⊞	110V SMOKE DETECTOR W/ BATTERY BACKUP	⊗	CEILING FAN WITH INCANDESCENT LIGHT FIXTURE (PROVIDE ADEQUATE SUPPORT)
⊕	HALF-SWITCHED AFGI DUPLEX OUTLET	☉	RECESSED LIGHT FIXTURE	⊞	CO2 DETECTOR	⊗	6AS SUPPLY WITH VALVE
⊕220V	220 VOLT AFGI OUTLET	☉LED	LED SURFACE MOUNTED	⊞	THERMOSTAT	⊗	HOSE BIBB
⊕	REINFORCED JUNCTION BOX	☉	EXHAUST FAN (VENT TO EXTERIOR)	☎	TELEPHONE	⊗	1/4" WATER STUB OUT
⊕	WALL SWITCH	☎	EXHAUST FAN/LIGHT COMBINATION (VENT TO EXTERIOR)	⊞	TELEVISION	⊞	TECH HUB SYSTEM
⊕3	THREE-WAY SWITCH	☎	TECH HUB SYSTEM	⊞	ELECTRIC METER		
⊕4	FOUR-WAY SWITCH	☎		⊞	ELECTRIC PANEL		
⊕	LED STRIP FIXTURE	☎		⊞	DISCONNECT SWITCH		

ELECTRICAL PLAN
SECOND FLOOR - ELEV. 1
SCALE: 1/8" = 1'-0"

FILE: Lot_00.0014.dwg DATE: 10/5/2024 4:33 PM

MASTER PLAN INFORMATION

REVISION	DATE	UPDATED DATE
3-RALE	07-31-2024	09-12-2024

DRAWN BY:	ITS
DATE:	10/05/2024
PLAN NO.	1635

DRB HOMES

HOUSE NAME:
STONEFIELD
DRAWING TITLE:
SECOND FLOOR ELECTRICAL

SHEET No.
1.2

GENERAL STRUCTURAL NOTES

FOUNDATION

- DESIGN IS BASED ON 2018 NORTH CAROLINA STATE BUILDING CODE: RESIDENTIAL CODE.
- FOOTING DESIGN - 2,000 PSF ALLOWABLE SOIL BEARING PRESSURE IS ASSUMED. BUILDER/CONTRACTOR MUST VERIFY.
- FASTEN 2x4/6 SILL PLATES TO FND WITH A MINIMUM OF 2 ANCHORS PER PLATE, 12" MAX. FROM PLATE ENDS - UTILIZING:
 - 1/2" DIA. ANCHOR BOLTS @ 6'-0" O.C. 7" MIN. EMBEDMENT (CONC), 15" MIN. EMBEDMENT (CMU)
 - SIMPSON MASA ANCHOR STRAPS @ 6'-0" O.C. (CONC)
 - SIMPSON MAB23 ANCHOR STRAPS @ 2'-8" O.C. (CMU)
 (REFER TO DETAILS FOR 10' TALL WALL ANCHOR REQUIREMENTS)
- ALL LUMBER EXPOSED TO WEATHER OR IN CONTACT W/ CONCRETE OR CMU SHALL BE PRESERVATIVE TREATED SOUTHERN PINE #2.
- BUILDER TO VERIFY CORROSION-RESISTANCE COMPATIBILITY OF HARDWARE & FASTENERS IN CONTACT W/ PRESERVATIVE-TREATED WOOD. CONTACT LUMBER & HARDWARE SUPPLIERS TO COORD.
- BASEMENT INTERIOR BEARING WALLS & EXTERIOR WALK-OUT BASEMENT WALLS SHALL BE 2x6 @ 16" O.C. SFF OR 5/12" STUD GRADE OR BETTER.
- CONCRETE DESIGN BASED ON ACI 318. CONCRETE SHALL ATTAIN THE FOLLOWING MIN. COMPRESSIVE STRENGTHS IN 28 DAYS, UNO.:
 - $f_c =$ 4,000 psi: FOUNDATION WALLS
 - 2,500 psi: FOOTINGS & INTERIOR SLABS ON GRADE
 - 3,000 psi: GARAGE & EXTERIOR SLABS ON GRADE
 - $f_y =$ 60,000 psi
- BASEMENT FOUNDATION WALL DESIGN BASED ON:
 - 4' OR 10' HEIGHT (AS NOTED ON PLANS)
 - TALLER WALLS MUST BE ENGINEERED.
 - NOMINAL WIDTH (1/2" FOR 10" THICK WALL).
- BASEMENT WALL DESIGN IS BASED ON 60 PCF BACKFILL SOIL TYPE CLASSIFICATIONS (SC, ML-CL, OR CL).
- BASEMENT WALLS SHALL BE BRACED, PRIOR TO BACKFILLING, BY ADEQUATE TEMPORARY BRACING OR INSTALL 1st FLOOR DECK.
- PROVIDE (2) #5 BARS AROUND ALL SIDES OF OPENINGS IN CONCRETE BSMT. FND. WALL WITH 2" CLEAR. REINFORCEMENT SHALL EXTEND 12" PAST CORNER OF OPENING IN ALL DIRECTIONS.
 - FOR OPENINGS UP TO 36", PROVIDE MINIMUM 10" CONCRETE DEPTH OVER OPENING OR (3)2x10 W/ (2)2x6 JACK STUDS, UNO.
 - LARGER OPENINGS SHALL BE PER PLAN.
- ALL CONCRETE EXPOSED TO THE WEATHER SHALL NOT HAVE LESS THAN 5% OR MORE THAN 7% AIR ENTRAINMENT.
- ALL FOOTINGS SHALL BEAR AT LEAST 12" BELOW FINISH GRADE.
- FOOTINGS AND SLABS ON GRADE SHALL BEAR ON VIRGIN SOIL OR 95% COMPACTED FILL.
- PROVIDE CONTROL JOINTS AT ALL INSIDE CORNERS OF SLAB EDGES, AND OTHER LOCATIONS WHERE SLAB CRACKS ARE LIKELY TO DEVELOP.
 - JOINTS SHALL BE LOCATED @ 10'-0" O.C. (RECOMMENDED) OR 15'-0" O.C. (MAXIMUM)
 - JOINT GRID PATTERN SHALL BE AS CLOSE TO SQUARES AS POSSIBLE (1:1 RATIO), WITH A MAXIMUM OF 1:1.5 RATIO
 - CONTROL JOINTS SHALL NOT BE INSTALLED IN STRUCTURAL SLABS
- CONCRETE MASONRY UNITS (CMU) SHALL BE ASTM C90 WITH A MIN. COMPRESSIVE STRENGTH OF 1900 PSI ($f_m=1500$ PSI). MORTAR SHALL BE ASTM C270, TYPE S. CMU DESIGN PER ACI 530 & 530.1.
- CMU FOUNDATION WALLS SHALL HAVE "DUR-O-WALL" HORIZONTAL JOINT REINFORCEMENT (OR EQUAL) - 9 GA. MINIMUM @ 16" O.C.
- PROVIDE 2x6 x 16" LONG P.T. PLATE ON TOP OF ALL CRAWL SPACE PIERS. ALL PIERS SHALL BE GROUTED SOLID.
- PROVIDE 2x6 P.T. PLATE ON INTERIOR CRAWL SPACE WALLS, FASTENED PER ANCHORAGE SPECIFICATION NOTED ABOVE.
- DIMENSIONS BY OTHERS, BUILDER TO VERIFY.
- BUILDER TO VERIFY THAT MODEL HAS BEEN ADEQUATELY TREATED BY A LICENSED AND BONDED PEST CONTROL COMPANY FOR SUBTERRANEAN TERMITES. METHOD AND TYPE OF TREATMENT TO BE DETERMINED BY PEST CONTROL COMPANY.

GENERAL STRUCTURAL NOTES

- DESIGN IS BASED ON 2018 NORTH CAROLINA STATE BUILDING CODE: RESIDENTIAL CODE.
- WOOD FRAME ENGINEERING IS BASED ON NDS, "NATIONAL DESIGN SPECIFICATION FOR WOOD CONSTRUCTION" - LATEST EDITION.
- DESIGN LOADS:
 - ROOF DEAD = 7 PSF T.C., 10 PSF B.C. LIVE = 16 PSF LOAD DURATION FACTOR = 1.25
 - FLOOR LIVE = 40 PSF (30 PSF @ SLEEPING AREAS) DEAD = 10 PSF (1-JOISTS & SOLID SAWN) 10 PSF T.C., 5 PSF B.C. (TRUSSES) (ADDL 10 PSF @ TILE)
 - LATERAL 120 MPH, EXPOSURE B. SEISMIC A/B.
 - SOIL 2,000 PSF ASSUMED ALLOWABLE BEARING PRESSURE (TO BE VERIFIED BY BUILDER)

GENERAL FRAMING

- ALL TYP. NAIL FASTENER REQUIREMENTS ARE NOTED IN STANDARD CONNECTIONS TABLE OR ON PLANS. ALL NAILS SPECIFIED ARE MIN DIAMETER AND LENGTH REQUIRED FOR CONNECTION. ALL HANGER NAILS SHALL BE INSTALLED PER MANUFACTURER'S REQUIREMENTS FOR MAX CHARTED CAPACITY. NOTE: HANGERS USE COMMON NAIL DIAMETERS NOT TYPICAL FRAMING GUN NAILS.
- REFER TO FASTENING SCHEDULE TABLE R602.3(1) FOR ALL CONNECTIONS, TYP. UNO.
- EXT. & INT. BRG WALLS SHALL BE 2x4 OR 2x6 (AS SHOWN ON PLANS) @ 16" O.C. SFF OR 5/12" STUD GRADE LUMBER, OR BETTER, UNO.
 - WALLS OVER 12' TALL SHALL BE PER PLAN.
- ALL HEADERS, BEAMS & OTHER STRUCTURAL MEMBERS SHALL BE SPRUCE-PINE-FIR #2 (SPPF) OR SOUTHERN PINE #2 (SP) LUMBER, OR BETTER (KILN-DRIED). ALL HEADERS HAVE BEEN DESIGNED BASED ON CALCULATED LOADS & SIZED ACCORDINGLY. CODE TABLES HAVE NOT BEEN USED.
- ALL NON-BEARING INTERIOR STUD WALLS SHALL BE CONSTRUCTED WITH 2x "STUD" GRADE MEMBERS SPACED @ 16" O.C. (MAX. UNO.)
 - HEADERS IN NON-LOAD BEARING WALLS SHALL BE: (1)2x4/6 FLAT @ OPENINGS UP TO 4'; (2)2x4/6 FLAT UP TO 8'.
- ALL FRAMING LUMBER SHALL BE DRIED TO 15% MC (K-D-15).
- ENGINEERED LUMBER BEAMS TO MEET OR EXCEED THE FOLLOWING:
 - LVL - $F_b=2325$ psi; $F_v=310$ psi; $E=1.55 \times 10^6$ psi
 - LVL' - $F_b=2600$ psi; $F_v=285$ psi; $E=2.0 \times 10^6$ psi
 - PSL - $F_b=2400$ psi; $F_v=240$ psi; $E=2.0 \times 10^6$ psi
- MK SHALL BE FULLY INDENTIFIED FOR ANY AND ALL ISSUES RESULTING FROM OR RELATED TO ANY BUILDING COMPONENT IF THE OWNER DOES NOT SUBMIT THE COMPONENT SHOP DRAWINGS TO MK FOR STRUCTURAL REVIEW PRIOR TO FABRICATION, DELIVERY, OR INSTALLATION.
- FOR 2 & 3 PLY BEAMS OF EQUAL WIDTH, FASTEN PLYS TOGETHER WITH 3 ROWS OF 3"x0.120" NAILS @ 8" O.C. OR 2 ROWS 1/4"x3/8" SIMPSON SDS SCREWS (OR 3/8" TRUSSELOK SCREWS) @ 16" O.C. USE A MINIMUM OF 3 ROWS FOR BEAM DEPTHS OF 14" OR GREATER. APPLY FASTENING AT BOTH FACES FOR 3-PLY CONDITION. LOCATE TOP & BOTTOM NAILS/SCREWS 2" FROM EDGE. SOLID 3 1/2" OR 5 1/4" BEAMS ARE ACCEPTABLE. USE 2 ROWS OF NAILS FOR 2x6 & 2x8 MEMBERS.
- FOR 4 PLY BEAMS OF EQUAL WIDTH, FASTEN PLYS TOGETHER WITH 3 ROWS OF 1/4"x6" SIMPSON SDS SCREWS (OR 6 3/4" TRUSSELOK SCREWS) @ 16" O.C. USE A MINIMUM OF 4 ROWS FOR BEAM DEPTHS OF 14" OR GREATER. APPLY FASTENING AT BOTH FACES (ONE SIDE ONLY FOR TRUSSELOK SCREWS). LOCATE TOP AND BOTTOM SCREWS 2" FROM EDGE. A SOLID 7" BEAM IS ACCEPTABLE.
- ALL HEADERS SHALL BE SUPPORTED BY (1)2x JACK STUD & (1)2x KING STUD, MINIMUM.
 - THE NUMBER OF STUDS SPECIFIED AT A SUPPORT INDICATES THE NUMBER OF JACK STUDS REQUIRED, UNO.
- ALL MULTI-PLY STUDS TO BE FASTENED TOGETHER W/ 3"x0.131" NAILS @ 24" O.C. (MIN), EACH PLY.
- PROVIDE SOLID BLOCKING IN FLOOR SYSTEM UNDER ALL POSTS CONTINUOUS TO FND/BEARING. BLOCKING TO MATCH POST ABOVE.
- FASTEN 2x WOOD PLATES TO TOP FLANGE OF STEEL BEAMS WITH P.A.F.'s (HILTI) X-CF PINS OR EQUAL) @ 16" O.C. STAGGERED, OR 1/2" DIA. BOLTS @ 48" O.C. STAGGERED.
- ALL EXTERIOR 4x4 WOOD POSTS SHALL HAVE SIMPSON BC62-2/4 CAP & ABW44Z BASE, UNO.

FLOOR FRAMING

- 1-JOISTS/TRUSSES SHALL BE DESIGNED BY MANUF. TO MEET OR EXCEED L/480 LIVE LOAD DEFLECTION CRITERIA. (EXCLUDES MARBLE FLOORS - CONTACT MK FOR MARBLE FLOOR DESIGNS)
- AT 1-JOIST FLOORS, PROVIDE 1 1/8" MIN. OSB RIM BOARD.
- METAL HANGERS SHALL BE SPECIFIED BY MANUFACTURER, UNO.
- FLOOR SHEATHING SHALL BE 23/32" A.P.A. RATED 'STURD-I-FLOOR' 24" O.C. EXPOSURE 1 (OR APPROVED EQUAL) WITH TONGUE AND GROOVE EDGES. FASTEN TO FRAMING MEMBERS W/ GLUE AND
 - 2 1/4" x 0.131" NAILS @ 6" O.C. @ PANEL EDGES @ 12" O.C. FIELD.
 - 2 3/8" x 0.120" NAILS @ 4" O.C. @ PANEL EDGES @ 8" O.C. FIELD.
 - 2 3/8" x 0.131" NAILS @ 3" O.C. @ PANEL EDGES @ 6" O.C. IN FIELD.
 - #6 x 2" MIN. SCREWS @ 6" O.C. @ PANEL EDGES @ 12" O.C. FIELD.

ROOF FRAMING

- BAY WINDOWS & SHED ROOFS (UP TO 6' SPAN) CAN BE 2x4 OR 2x6 RAFTERS & CEILING JOISTS @ 16/24" O.C.
- FASTEN EACH ROOF TRUSS TO TOP PLATE W/ SIMPSON H25T CLIP (OR APPROVED EQUAL) @ ALL BEARING POINTS. PROVIDE (2) H25T CLIPS AT 2-PLY GIRDER TRUSSES, (3) H25T CLIPS AT 3-PLY GIRDER TRUSSES & ROOF BEAMS - AT ALL BEARING POINTS.
- METAL HANGERS SHALL BE SPECIFIED BY THE MANUFACTURER, UNO.
- ERECT AND INSTALL ROOF TRUSSES PER WTGA & TPI'S BCSI I-08 "GUIDE TO GOOD PRACTICE FOR HANDLING, INSTALLING & BRACING OF METAL PLATE CONNECTED WOOD TRUSSES."
- SUPPORT PORCH & SHORT SPAN ROOF TRUSSES (MAX 7' SPAN) W/ 2x4 LEDGER FASTENED TO:
 - RIM BOARD W/ (2) 3"x0.131" NAILS @ 16" O.C. MAX. (1-JOISTS)
 - TRUSS VERTICALS W/ (3) 3"x0.131" NAILS @ 19.2" O.C. MAX. (FLOOR TRUSSES)
- ROOF SHEATHING SHALL BE 7/16" A.P.A. RATED SHEATHING 24/16 EXPOSURE 1 (OR APPROVED EQUAL). FASTEN TO FRAMING MEMBERS
 - W/ 2 1/2" x 0.131" NAILS @ 6" O.C. @ PANEL EDGES @ 12" O.C. FIELD.
 - W/ 2 3/8" x 0.120" NAILS @ 4" O.C. @ PANEL EDGES @ 8" O.C. FIELD.
 - W/ 2 3/8" x 0.131" NAILS @ 3" O.C. @ PANEL EDGES @ 6" O.C. FIELD.

HOLD-DOWN SCHEDULE

SYMBOL	SPECIFICATION
	SIMPSON HTT4 HOLD-DOWN *
	SIMPSON MSTC66 STRAP TIE (CENTER STRAP ON FLOOR SYSTEM UNO.) (PRE-BENT MSTC66 ALT. WHEN SPECIFIED)
	SIMPSON STDH4/4RJ HOLD-DOWN

ALTERNATIVE TO 56T24 ANCHOR BOLT SPECIFICATION:
 * UTILIZE SIMPSON "SET" EPOXY SYSTEM TO FASTEN 3/4" DIA. THREADED ROD INTO CONCRETE FOUNDATION. PROVIDE 12" MIN. EMBEDMENT INTO CONCRETE. INSTALL PER MANUF. RECOMMENDATIONS. DO NOT LOCATE ANCHORS WITHIN 1 3/4" OF EDGE OF FOUNDATION.

LEGEND

- ◻ INTERIOR BEARING WALL
- - - BEARING WALL ABOVE
- BEAM / HEADER
- - - INDICATES SHEAR WALL & EXTENT
- ◻◻◻◻ EXTENT OF OVERFRAMING
- ||— METAL HANGER
- INDICATES POST ABOVE. PROVIDE SOLID BLOCKING UNDER POST OR JAMB ABOVE.
- ◀ INDICATES HOLD-DOWN OR STRAP. REFER TO SCHEDULE.

NON-BEARING HEADER SCHEDULE

SPAN	2x4 NON-BEARING PARTITION WALL	2x6 NON-BEARING PARTITION WALL
UP TO 3'-0"	(1)2x4 FLAT	(1)2x6 FLAT
UP TO 6'-0"	(2)2x4	(3)2x4
UP TO 8'-0"	(2)2x6	(3)2x6
UP TO 12'-0"	(2)2x8	(3)2x8

NOTES:
 • ALL NON-BEARING INTERIOR STUD WALLS SHALL BE CONSTRUCTED WITH 2x "STUD" GRADE MEMBERS SPACED @ 24" O.C. (MAX)

LATERAL BRACING & SHEAR WALL SHEATHING SPECIFICATIONS

THIS MODEL HAS BEEN DESIGN TO RESIST LATERAL FORCES RESULTING FROM:
120 MPH WIND IN 2018 NCSEBC:RC
 (120 MPH WIND SPEED IN ASCE 7-10 WIND MAP, PER IRC R301.2.1.1) EXP. B, RISK CAT. 2 & SEISMIC CAT. A/B.

THE DESIGN WAS COMPLETED PER 2015 IBC (SECTION 1609) & ASCE 7-10, AS PERMITTED BY R301.3 OF THE 2018 NCSEBC:RC, OR THE SIMPLIFIED PRESCRIPTIVE PROCEDURE IN ACCORDANCE WITH THE 2015 IRC IF THE PARAMETERS OF SECTION R602.12 COMPLY. ACCORDINGLY, THIS MODEL, AS DOCUMENTED AND DETAILED HERewithIN, IS ADEQUATE TO RESIST THE CODE REQUIRED LATERAL FORCES.

DESIGN WIND UPLIFT LOADS HAVE BEEN CALCULATED UTILIZING ASCE 7-10 (ACCEPTED ENGINEERING PRACTICE) AS ALLOWED PER 2018 NCSEBC:RC SECTION R602.11.1. THIS MODEL HAS BEEN DETAILED WHERE REQUIRED & ENGINEERED TO RESIST THE WIND UPLIFT LOAD PATH PER SECTIONS R602.3.54 R602.11.

EXT. WALL SHEATHING SPECIFICATION

- 7/16" OSB OR 15/32" PLYWOOD:
 - FASTEN SHEATHING W/ 2 3/8" x 0.131" NAILS @ 6" O.C. AT EDGES & @ 12" O.C. IN THE PANEL FIELD. TYP. UNO.
- HORIZONTAL BLOCKING OF EXT. WALL/SHEAR WALL PANEL EDGES IS NOT REQUIRED BY THIS DESIGN EXCEPT FOR THOSE AREAS SPECIFICALLY NOTED.
- ALL EXT. WALLS SHALL BE CONTINUOUSLY SHEATHED AND ARE CONSIDERED SHEAR WALLS.
- ALT. STAPLE CONNECTION SPEC: 1 1/2" 16 GA STAPLES (1/8" CROWN) @ 3" O.C. AT EDGES @ 6" O.C. IN FIELD.

BLOCKED PANEL EDGES

- AT DESIGNATED AREAS - FASTEN SHEATHING W/ 2 3/8" x 0.131" NAILS @ 6" O.C. AT ALL PANEL EDGES AND 12" O.C. IN THE PANEL FIELD OR 1 3/4" 16 GA STAPLES (1/8" CROWN) @ 3" O.C. AT EDGES @ 6" O.C. IN FIELD. ALL SHEATHING PANELS SHALL BE ORIENTED AND INSTALLED FULL HEIGHT OF SHEAR WALL OR 2x HORIZONTAL BLOCKING SHALL BE PROVIDED TO SUPPORT ALL UNSUPPORTED PANEL EDGES & EDGE FASTENING.

3" O.C. EDGE NAILING

- AT DESIGNATED AREAS - FASTEN PANEL EDGES OF WOOD STRUCTURAL WALL SHEATHING TO FRAMING W/ 8d NAILS @ 3" O.C. NO STAPLE ALTERNATIVE AVAILABLE AT THIS SPEC. ALL SHEATHING PANELS SHALL BE ORIENTED AND INSTALLED FULL HEIGHT OF SHEAR WALL OR 2x HORIZONTAL BLOCKING SHALL BE PROVIDED TO SUPPORT UNSUPPORTED PANEL EDGES AND 3" O.C. EDGE FASTENING.

NOTES

- SEE CONNECTION SPECIFICATIONS CHART FOR STANDARD SHEAR TRANSFER DETAILING. IF ADDITIONAL CAPACITY IS REQUIRED BY DESIGN, IT WILL BE SPECIFICALLY NOTED ON PLAN.
- DESIGN ASSUMES 16" O.C. MAX. STUD SPACING, UNO.
- ALL STRUCTURAL PANELS ARE TO BE DIRECTLY APPLIED TO STUD FRAMING.
- PRE-MANUFACTURED PANELIZED WALLS: FASTEN TOGETHER END STUDS OF WALL PANELS SHEATHED W/ OSB OR PLYWOOD W/ 3" x 0.120" NAILS @ 4" O.C. (THRU ONE SIDE ONLY)
- — — INDICATES EXTENT OF INT. OSB SHEARWALL OR 3" O.C. OSB SHEARWALL.
- ▶ INDICATES HOLD-DOWN BELOW

ENGINEERED BEAM MATERIAL SCHEDULE

BEAM NUMBER	LVL OPTION	PSL OPTION	LSL OPTION	FLITCH OPTION	STEEL OPTION
001	(2)3/4"x16" - D	3/2"x16" - D	N/A	(2)2x12 + (1)3/4"x16" STEEL FLITCH PLATES - D	W12x14 - D
002	(2)3/4"x11 1/2" - D	3/2"x11 1/2" - D	(3)3/4"x11 1/2" - D	(2)2x12 + (1)3/4"x16" STEEL FLITCH PLATES - D	W12x14 - D
003	(2)3/4"x14" - F	3/2"x14" - F	(3)3/4"x14" - F	(2)2x12 + (1)3/4"x16" STEEL FLITCH PLATES - F	W12x14 - F
004	(2)3/4"x14" - F	3/2"x14" - F	(3)3/4"x14" - F	(2)2x12 + (1)3/4"x16" STEEL FLITCH PLATES - F	W12x14 - F
005	(3)3/4"x18" - FT	5/2"x18" - FT	N/A	(3)2x12 + (2)3/4"x16" STEEL FLITCH PLATES - F	W12x26 - F
006	(3)3/4"x18" - FT	5/2"x18" - FT	N/A	(3)2x12 + (2)3/4"x16" STEEL FLITCH PLATES - F	W12x26 - F
007	(2)3/4"x14" - F	3/2"x14" - F	(2)3/4"x14" - F	(2)2x12 + (1)3/4"x16" STEEL FLITCH PLATES - F	W12x14 - F
008	(2)3/4"x14" - F	3/2"x14" - F	(2)3/4"x14" - F	(2)2x12 + (1)3/4"x16" STEEL FLITCH PLATES - F	W12x14 - F
009	(2)3/4"x9 1/2" - D	3/2"x9 1/2" - D	(2)3/4"x9 1/2" - D	(2)2x10 + (1)3/4"x16" STEEL FLITCH PLATES - D	W10x12 - D
010	(3)3/4"x16" - H	5/2"x16" - H	(3)3/4"x16" - H	(3)2x12 + (2)3/4"x16" STEEL FLITCH PLATES - H	N/A
011	(2)3/4"x11 1/2" - D	3/2"x11 1/2" - D	(3)3/4"x11 1/2" - D	(2)2x12 + (1)3/4"x16" STEEL FLITCH PLATES - D	W12x14 - D
012	(3)3/4"x16" - D	5/2"x16" - D	(4)3/4"x16" - D	(3)2x12 + (2)3/4"x16" STEEL FLITCH PLATES - D	W12x19 - D
013	(2)3/4"x11 1/2" - D	3/2"x11 1/2" - D	(3)3/4"x11 1/2" - D	(2)2x12 + (1)3/4"x16" STEEL FLITCH PLATES - D	W12x14 - D
014	(2)3/4"x16" - D	3/2"x16" - D	(3)3/4"x16" - D	(3)2x12 + (2)3/4"x16" STEEL FLITCH PLATES - D	W12x14 - D
015***	(3)3/4"x11 1/2" - D	N/A	(3)3/4"x11 1/2" - D	(3)2x12 + (2)3/4"x16" STEEL FLITCH PLATES - D	W12x14 - D
016	(2)3/4"x11 1/2" - F	3/2"x11 1/2" - F	(3)3/4"x11 1/2" - F	(2)2x12 + (1)3/4"x16" STEEL FLITCH PLATES - F	W12x14 - F

BEAM NOTATION:
 - "F" INDICATES FLUSH BEAM
 - "FT" INDICATES FLUSH TOP BEAM
 - "FB" INDICATES FLUSH BOTTOM BEAM
 - "D" INDICATES DROPPED BEAM
 - "H" INDICATES DROPPED OPENING HEADER
 • REFER TO DETAIL D/SD2.0 FOR TYPICAL FLITCH BEAM CONNECTIONS
 • REFER TO DETAIL E/SD2.0 FOR TYPICAL STEEL BEAM CONNECTIONS
 • FOR FLUSH TOP BEAMS PROVIDE 2x STACKED PLATES BENEATH BEAM AS REQ'D. FASTEN PLATES IN SUCCESSION W/ (2) 3"x0.120" NAILS @ 8" O.C.
 • FOR FLUSH BOTTOM BEAMS PROVIDE 2x STACKED PLATES ATOP BEAM AS REQ'D. FASTEN PLATES IN SUCCESSION W/ (2) 3"x0.120" NAILS @ 8" O.C.
 *** - SEE PLAN FOR EXTENT OF 3-PLY BEAM

ADDITIONAL NOTES FOR TRUSS & I-JOIST MANUFACTURER

ROOF TRUSS, FLOOR TRUSS AND ENGINEERED JOISTS SHALL BE DESIGNED TO MEET THE DIFFERENTIAL DEFLECTION CRITERIA BELOW, UNLESS NOTED OTHERWISE ON PLAN.
 TRUSSES/JOISTS SHALL BE DESIGNED SO THAT DIFFERENTIAL DEFLECTION BETWEEN ADJACENT PARALLEL TRUSSES/JOISTS OR GIRDER TRUSSES/FLUSH BEAMS DO NOT EXCEED THE FOLLOWING:
 A. ROOF TRUSSES: 1/4" DEAD LOAD
 B. FLOOR TRUSSES, ATTIC TRUSSES, & I-JOISTS: 1/8" DEAD LOAD
 C. FLOOR TRUSSES & ATTIC TRUSSES ADJACENT TO FLOOR FRAMING BY OTHERS: LIMIT ABSOLUTE TRUSS DEFLECTION TO 3/16" DEAD LOAD. (NOT DIFFERENTIAL DEFLECTION)

SD2.1 REFERS TO SD2.1A FOR LVL/PSL/LSL BEAMS OR SD2.1B FOR FLITCH BEAMS OR SD2.1C FOR STEEL BEAMS



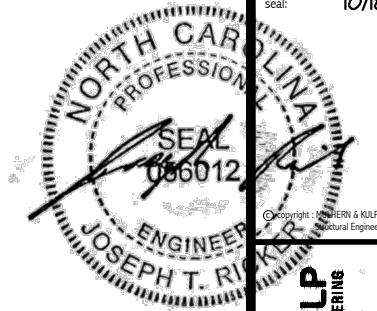
MULHERN+KULP
 RESIDENTIAL STRUCTURAL ENGINEERING
 3300 Bechtel Ave, Building 4 - Asheville, NC 28801
 P: 754-848-2881 • mulhern+kulp.com
 NC LIC. #C-3825

M&K project number:
126-23047
 project mgr: JTR
 draw by: JAD
 issue date: 10-18-24
 REVISIONS:
 date: initial:

DRB HOMES

STRUCTURAL NOTES
 HONEYCUTT HILLS
 LOT 14 - STONEFIELD 1
 RALEIGH, NC

sheet: **S0.0**



MULHERN+KULP
RESIDENTIAL STRUCTURAL ENGINEERING
3000 Beardslee Ave, Building 4 - Asheville, PA 19002
P 716-998-8881 • mulhern+kulp.com



M&K project number:
126-23047

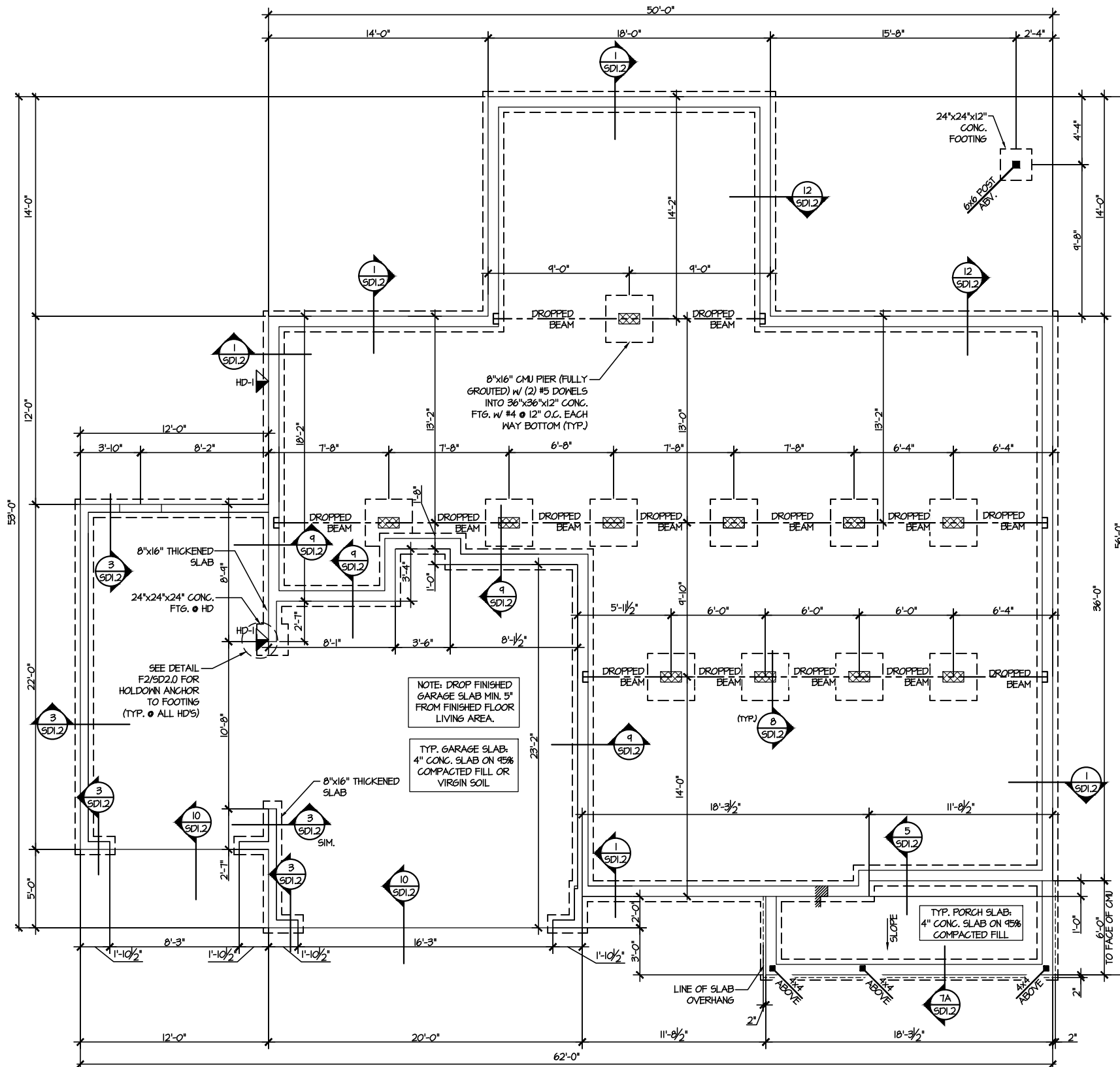
project mgr: JTR
drawn by: JAD
issue date: 10-18-24

REVISIONS:
date: initial:



FOUNDATION PLANS
HONEYCUTT HILLS
LOT 14 - STONEFIELD 1
RALEIGH, NC

sheet:
S1.0

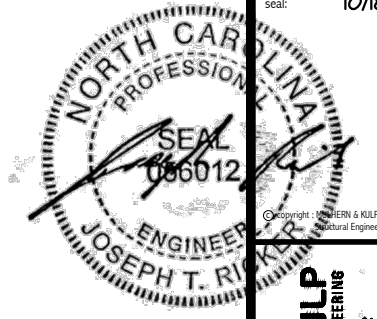


1 CRAWLSPACE FOUNDATION PLAN
SCALE: 1/8"=1'-0"

LEGEND

- [Symbol] INTERIOR BEARING WALL
- [Symbol] BEARING WALL ABOVE
- [Symbol] BEAM / HEADER
- [Symbol] INDICATES SHEAR WALL & EXTENT
- [Symbol] EXTENT OF OVERFRAMING
- JL METAL HANGER
- [Symbol] INDICATES POST ABOVE, PROVIDE SOLID BLOCKING UNDER POST OR JAMB ABOVE.
- [Symbol] INDICATES HOLD-DOWN OR STRAP. REFER TO SCHEDULE.

REFER TO SO.0 FOR TYPICAL STRUCTURAL NOTES & SCHEDULES



MULHERN+KULP
RESIDENTIAL STRUCTURAL ENGINEERING
300 Beardslee Ave, Building 4 - Asheville, PA 28802
P: 716-898-8881 • mulhern+kulp.com
NC LIC. #C-3825

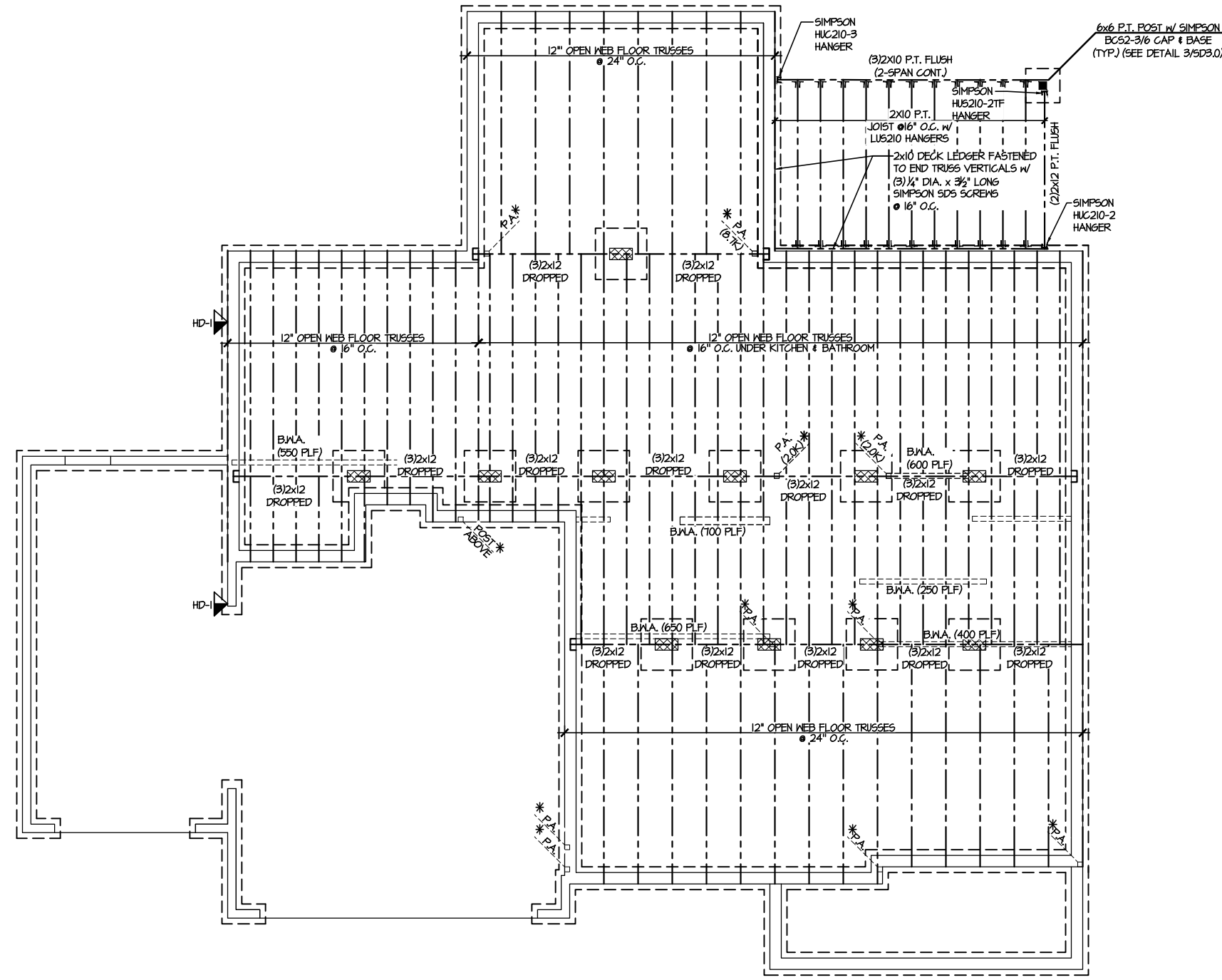
M&K project number:
126-23047
project mgr: JTR
drawn by: JAD
issue date: 10-18-24

REVISIONS:
date: initial:



FLOOR FRAMING PLANS
HONEYCUTT HILLS
LOT 14 - STONEFIELD 1
RALEIGH, NC

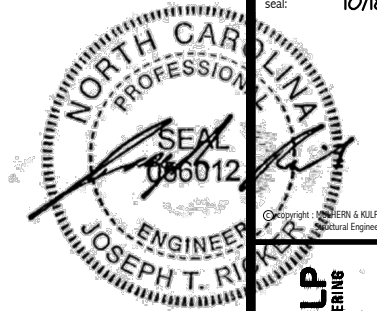
sheet:
S2.0



1 1ST FLOOR FRAMING PLAN (CRAWLSPACE)
SCALE: 1/8"=1'-0"

LEGEND	
	INTERIOR BEARING WALL
	BEARING WALL ABOVE
	BEAM / HEADER
	INDICATES SHEAR WALL & EXTENT
	EXTENT OF OVERFRAMING
	JL METAL HANGER
	INDICATES POST ABOVE. PROVIDE SOLID BLOCKING UNDER POST OR JAMB ABOVE.
	INDICATES HOLD-DOWN OR STRAP. REFER TO SCHEDULE.

REFER TO SO.O FOR
TYPICAL STRUCTURAL NOTES
& SCHEDULES



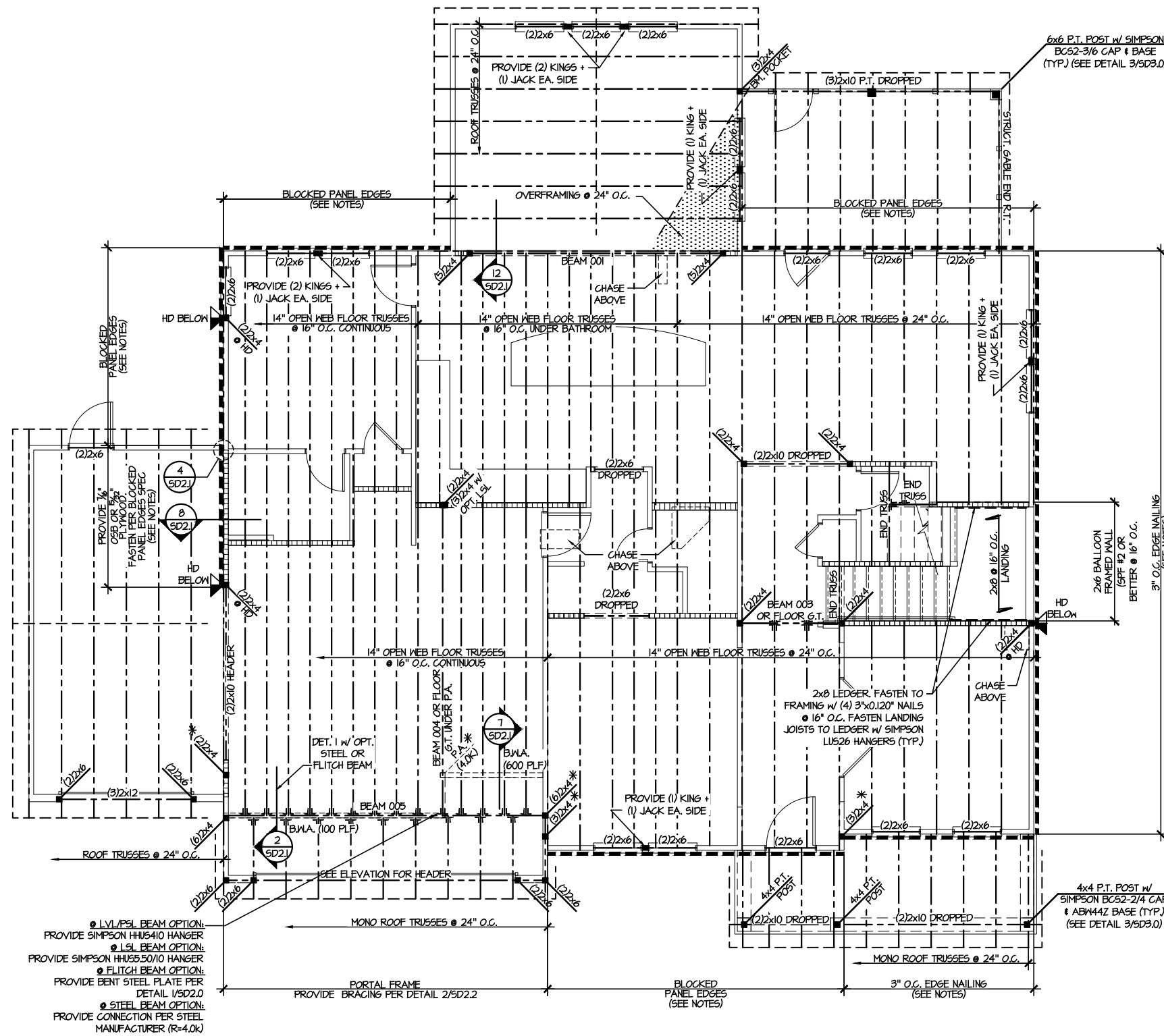
MULHERN+KULP
RESIDENTIAL STRUCTURAL ENGINEERING
380 Riverside Ave., Building 4 - Asheville, PA 18002
P: 715-898-8881 • mulhern+kulp.com
N.C. LIC. #C-3825

M&K project number:
126-23047
project mgr: JTR
drawn by: JAD
issue date: 10-18-24
REVISIONS:
date: initial:



FLOOR FRAMING PLANS
HONEYCUTT HILLS
LOT 14 - STONEFIELD 1
RALEIGH, NC

Sheet:
S3.0



- LVL/PSL BEAM OPTION: PROVIDE SIMPSON HH8410 HANGER
- LSL BEAM OPTION: PROVIDE SIMPSON HH8550/10 HANGER
- FLITCH BEAM OPTION: PROVIDE BENT STEEL PLATE PER DETAIL 1/SD2.0
- STEEL BEAM OPTION: PROVIDE CONNECTION PER STEEL MANUFACTURER (R=4.0k)

2ND FLOOR FRAMING PLAN
SCALE: 1/8"=1'-0"

SD2.1 REFERS TO SD2.1A FOR LVL/PSL/LSL BEAMS OR SD2.1B FOR FLITCH BEAMS OR SD2.1C FOR STEEL BEAMS

LEGEND

- [Symbol] INTERIOR BEARING WALL
- [Symbol] BEARING WALL ABOVE
- [Symbol] BEAM / HEADER
- [Symbol] INDICATES SHEAR WALL & EXTENT
- [Symbol] EXTENT OF OVERFRAMING
- [Symbol] METAL HANGER
- [Symbol] INDICATES POST ABOVE. PROVIDE SOLID BLOCKING UNDER POST OR JAMB ABOVE.
- [Symbol] INDICATES HOLD-DOWN OR STRAP. REFER TO SCHEDULE.

REFER TO 50.0 FOR TYPICAL STRUCTURAL NOTES & SCHEDULES

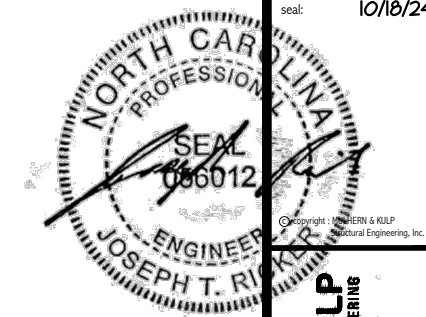
ENGINEERED BEAM MATERIAL SCHEDULE

BEAM NUMBER	LVL OPTION	PSL OPTION	LSL OPTION	FLITCH OPTION	STEEL OPTION
001	(2)3/4"x16" - D	3/5"x16" - D	N/A	(2)2x12 + (1) 3/8"x1/4" STEEL FLITCH PLATES - D	W12x14 - D
002	(2)3/4"x11 1/2" - D	3/5"x11 1/2" - D	(3)3/4"x11 1/2" - D	(2)2x12 + (1) 1/2"x1/4" STEEL FLITCH PLATES - D	W12x14 - D
003	(2)3/4"x14" - F	3/5"x14" - F	(2)3/4"x14" - F	(2)2x12 + (1) 1/2"x1/4" STEEL FLITCH PLATES - F	W12x14 - F
004	(2)3/4"x14" - F	3/5"x14" - F	(3)3/4"x14" - F	(2)2x12 + (1) 3/8"x1/4" STEEL FLITCH PLATES - F	W12x14 - F
005	(3)3/4"x18" - FT	3/5"x18" - FT	N/A	(3)2x12 + (2) 3/8"x1/4" STEEL FLITCH PLATES - F	W12x26 - F
006	(3)3/4"x18" - FT	3/5"x18" - FT	N/A	(3)2x12 + (2) 3/8"x1/4" STEEL FLITCH PLATES - F	W12x26 - F
007	(2)3/4"x14" - F	3/5"x14" - F	(2)3/4"x14" - F	(2)2x12 + (1) 1/2"x1/4" STEEL FLITCH PLATES - F	W12x14 - F
008	(2)3/4"x14" - F	3/5"x14" - F	(2)3/4"x14" - F	(2)2x12 + (1) 1/2"x1/4" STEEL FLITCH PLATES - F	W12x14 - F
009	(2)3/4"x9 1/2" - D	3/5"x9 1/2" - D	(2)3/4"x9 1/2" - D	(2)2x10 + (1) 1/4"x1/4" STEEL FLITCH PLATES - D	W10x12 - D
010	(2)3/4"x16" - H	3/5"x16" - H	(3)3/4"x16" - H	(3)2x12 + (2) 1/2"x1/4" STEEL FLITCH PLATES - H	N/A
011	(2)3/4"x11 1/2" - D	3/5"x11 1/2" - D	(3)3/4"x11 1/2" - D	(2)2x12 + (1) 1/2"x1/4" STEEL FLITCH PLATES - D	W12x14 - D
012	(3)3/4"x16" - D	3/5"x16" - D	(4)3/4"x16" - D	(3)2x12 + (2) 3/8"x1/4" STEEL FLITCH PLATES - D	W12x19 - D
013	(2)3/4"x11 1/2" - D	3/5"x11 1/2" - D	(3)3/4"x11 1/2" - D	(2)2x12 + (1) 1/2"x1/4" STEEL FLITCH PLATES - D	W12x14 - D
014	(2)3/4"x16" - D	3/5"x16" - D	(3)3/4"x16" - D	(3)2x12 + (2) 3/8"x1/4" STEEL FLITCH PLATES - D	W12x14 - D
015***	(3)3/4"x11 1/2" - D	N/A	(3)3/4"x11 1/2" - D	(3)2x12 + (2) 1/2"x1/4" STEEL FLITCH PLATES - D	W12x14 - D
016	(2)3/4"x11 1/2" - F	3/5"x11 1/2" - F	(3)3/4"x11 1/2" - F	(2)2x12 + (1) 1/2"x1/4" STEEL FLITCH PLATES - F	W12x14 - F

• BEAM NOTATION:
- "F" INDICATES FLUSH BEAM
- "FT" INDICATES FLUSH TOP BEAM
- "FB" INDICATES FLUSH BOTTOM BEAM
- "D" INDICATES DROPPED BEAM
- "H" INDICATES DROPPED OPENING HEADER

• REFER TO DETAIL D/SD2.0 FOR TYPICAL FLITCH BEAM CONNECTIONS
• REFER TO DETAIL E/SD2.0 FOR TYPICAL STEEL BEAM CONNECTIONS
• FOR FLUSH TOP BEAMS PROVIDE 2X STACKED PLATES BENEATH BEAM AS REQ'D. FASTEN PLATES IN SUCCESSION W/ (2) 3"x0.120" NAILS @ 8" O.C.
• FOR FLUSH BOTTOM BEAMS PROVIDE 2X STACKED PLATES ATOP BEAM AS REQ'D. FASTEN PLATES IN SUCCESSION W/ (2) 3"x0.120" NAILS @ 8" O.C.

*** - SEE PLAN FOR EXTENT OF 3-PLY BEAM



MULHERN+KULP
RESIDENTIAL STRUCTURAL ENGINEERING
300 Riverside Ave, Building 4 - Asheville, PA 18002
P 716-898-8881 • mulhern+kulp.com
NC LIC. #C-3825

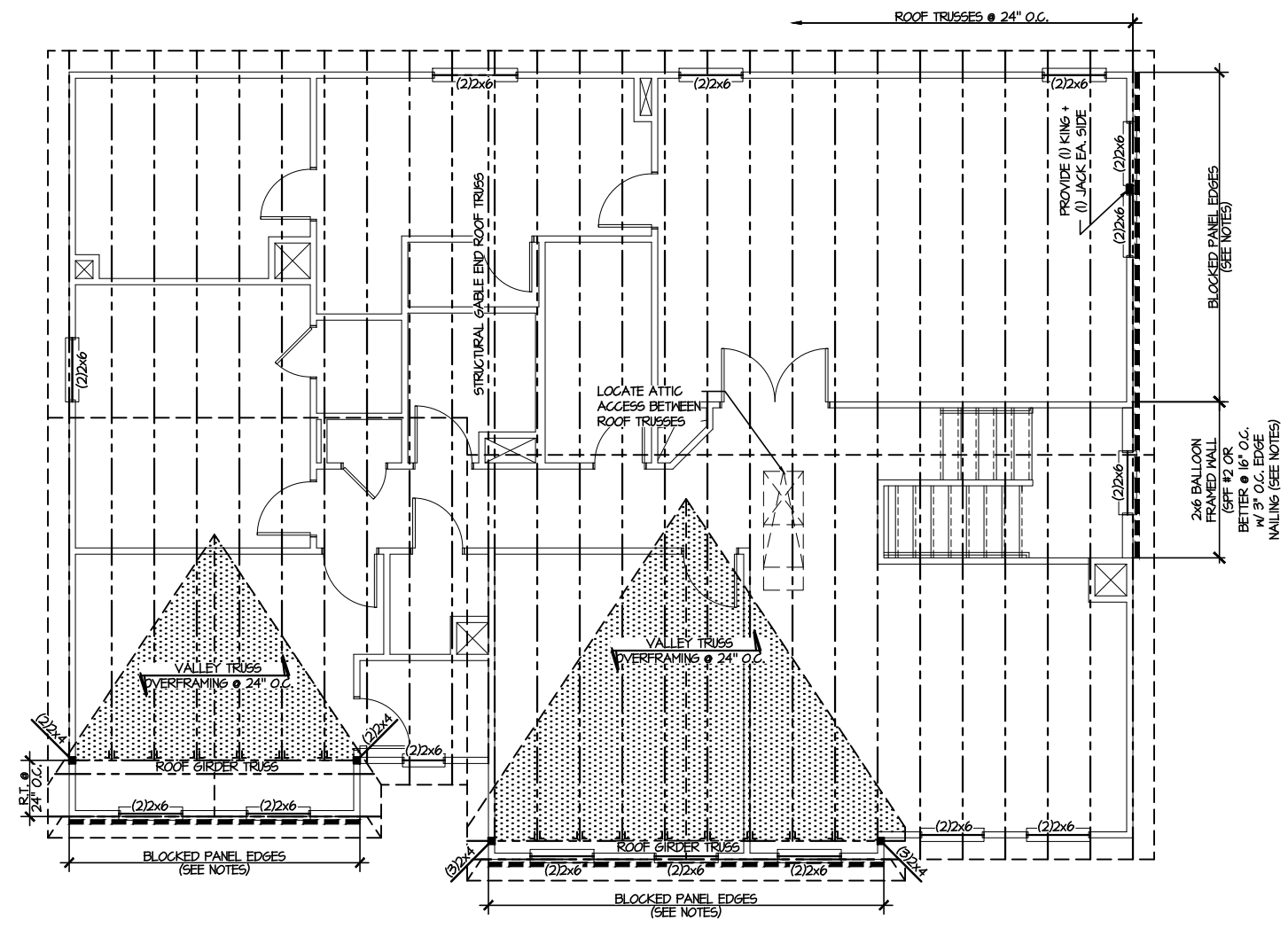
M&K project number:
126-23047
project mgr: JTR
drawn by: JAD
issue date: 10-18-24

REVISIONS:
date: initial:



ROOF FRAMING PLANS
HONEYCUTT HILLS
LOT 14 - STONEFIELD 1
RALEIGH, NC

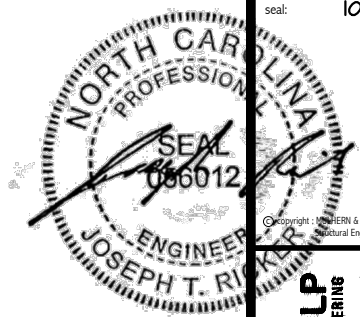
sheet: **S4.0**



1 ROOF FRAMING PLAN
SCALE: 1/8"=1'-0"

LEGEND	
	INTERIOR BEARING WALL
	BEARING WALL ABOVE
	BEAM / HEADER
	INDICATES SHEAR WALL & EXTENT
	EXTENT OF OVERFRAMING
	JL METAL HANGER
	INDICATES POST ABOVE. PROVIDE SOLID BLOCKING UNDER POST OR JAMB ABOVE.
	INDICATES HOLD-DOWN OR STRAP. REFER TO SCHEDULE.

REFER TO SO.0 FOR TYPICAL STRUCTURAL NOTES & SCHEDULES



MULHERN+KULP
RESIDENTIAL STRUCTURAL ENGINEERING
3800 Bechtel Ave, Building 4 - Asheville, PA 18002
P: 717-258-8881 • M: mulhern@mkulpe.com

M&K project number: 126-23047
project mgr: JTR
drawn by: JAD
issue date: 10-18-24

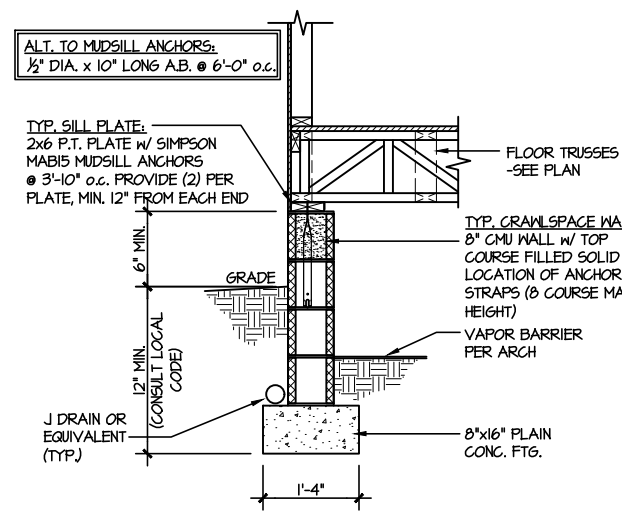
REVISIONS:
date: initial:

DRB
HOMES

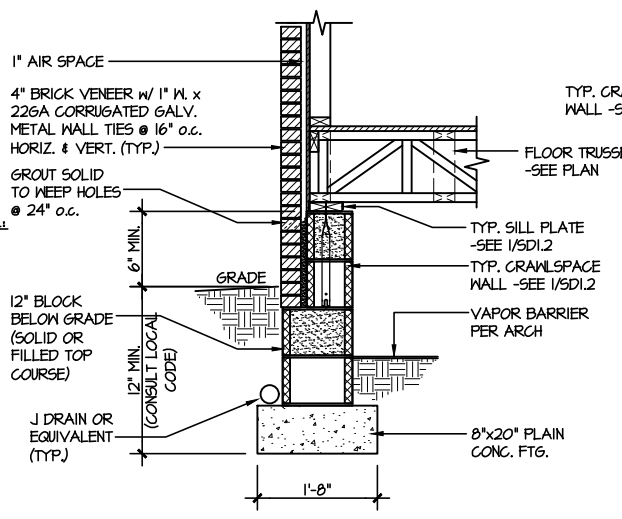
FOUNDATION DETAILS
HONEYCUTT HILLS
LOT 14 - STONEFIELD 1
RALEIGH, NC

sheet: **SD1.2**

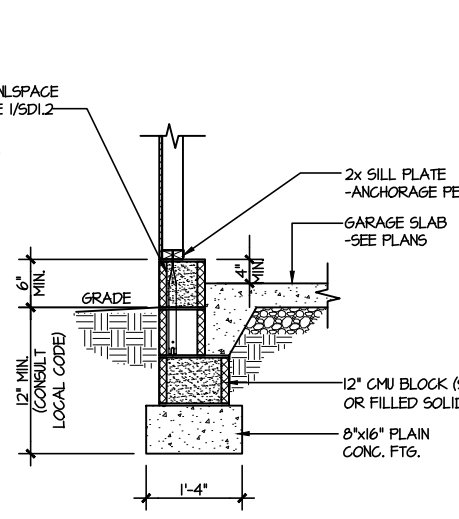
LETTERED DETAILS ARE TYPICAL FOR THIS HOME & SHALL BE IMPLEMENTED IN ALL APPLICABLE AREAS. THESE DETAILS ARE NOT "CUT" ON THE PLANS.
NUMBERED DETAILS ARE PLAN SPECIFIC AND ARE ONLY REQUIRED WHERE SPECIFICALLY INDICATED ("CUT") ON THE PLANS.



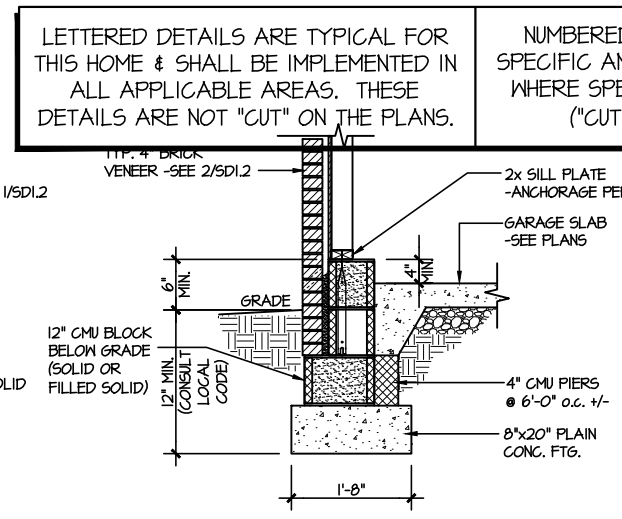
1 TYPICAL CRAWLSPACE FOUNDATION
SCALE: 3/8"=1'-0"



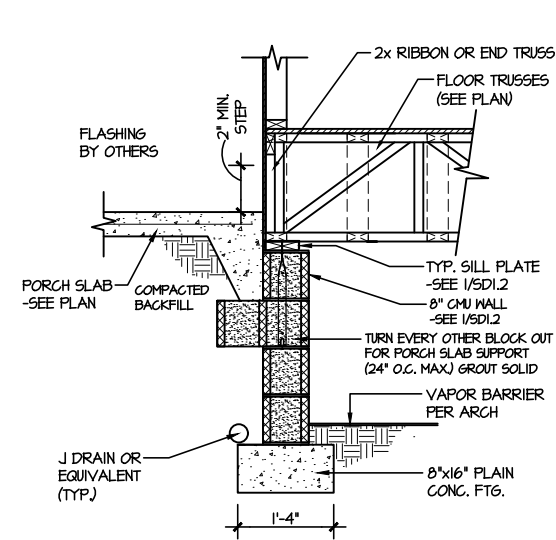
2 TYPICAL CRAWLSPACE FOUNDATION
SCALE: 3/8"=1'-0" w/ BRICK VENEER



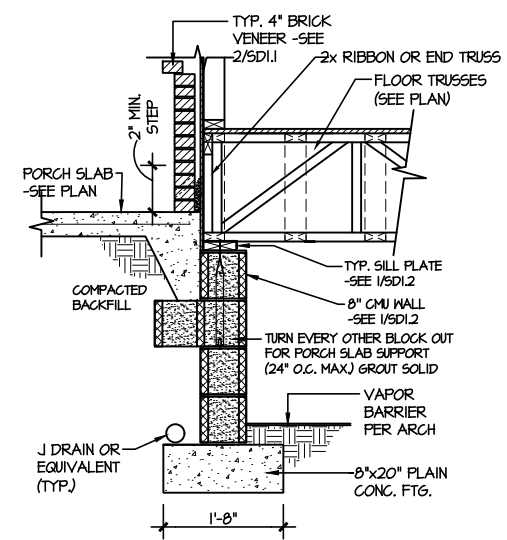
3 TYPICAL GARAGE FOUNDATION
SCALE: 3/8"=1'-0"



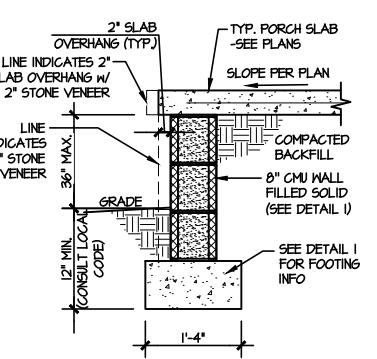
4 TYPICAL GARAGE FOUNDATION
SCALE: 3/8"=1'-0" w/ BRICK VENEER



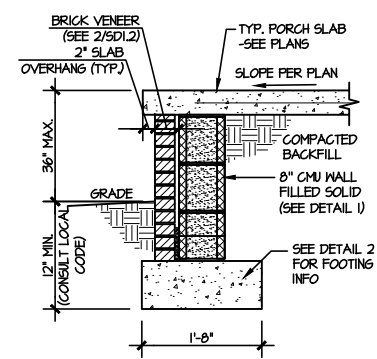
5 TYPICAL CRAWLSPACE FOUNDATION @ PORCH/PATIO SLAB
SCALE: 3/8"=1'-0"
(REFER TO DETAIL 12 FOR WOOD PORCH OPTION)



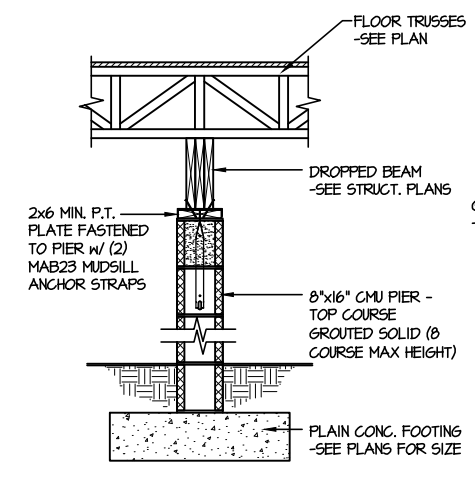
6 TYPICAL CRAWLSPACE FOUNDATION @ PORCH/PATIO SLAB
SCALE: 3/8"=1'-0" w/ BRICK VENEER



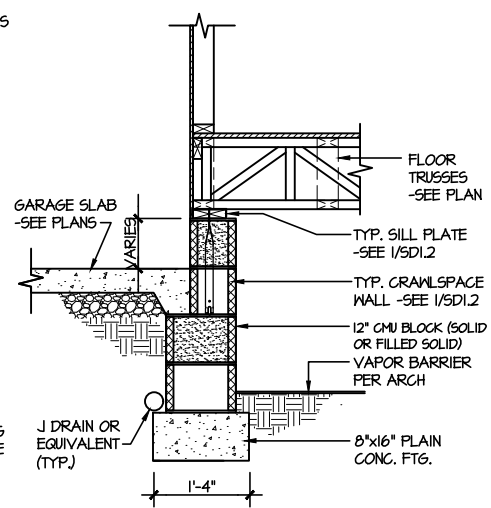
7A TYP. FOOTING @ PORCH SLAB
SCALE: 3/8"=1'-0"



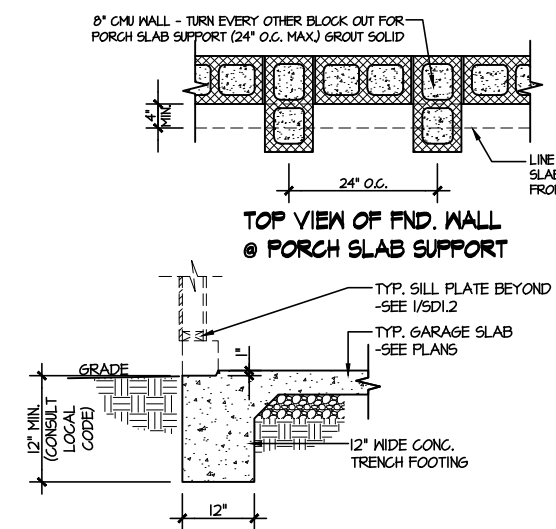
7B TYP. FOOTING @ PORCH SLAB
SCALE: 3/8"=1'-0" w/ BRICK VENEER



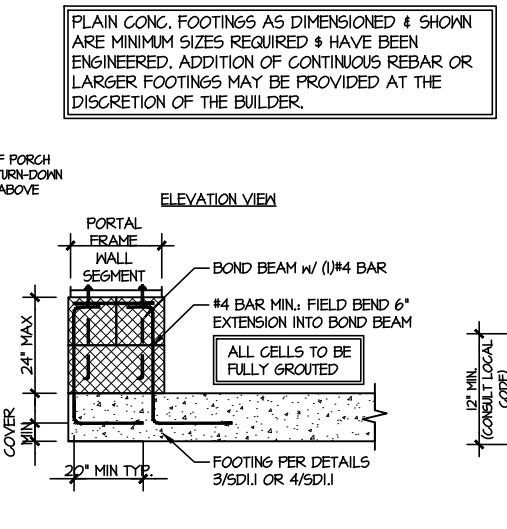
8 TYPICAL CRAWLSPACE FND. @ INTERIOR PIER
SCALE: 3/8"=1'-0"



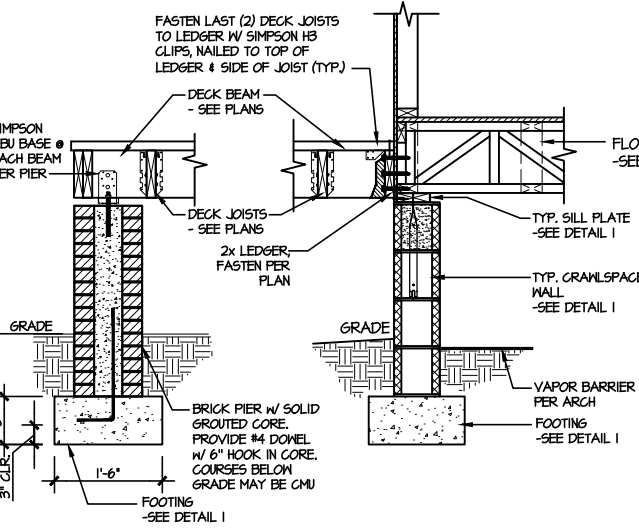
9 TYPICAL CRAWLSPACE FOUNDATION @ GARAGE
SCALE: 3/8"=1'-0"



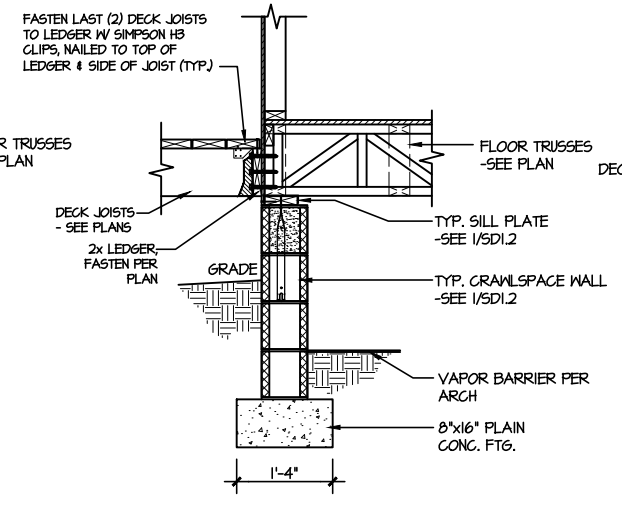
10 TYPICAL SLAB ON GRADE GARAGE ENTRY @ PERIMETER FOOTING
SCALE: 3/8"=1'-0"



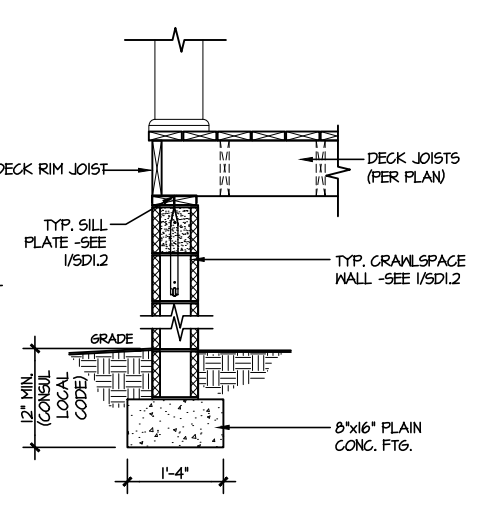
A GARAGE PORTAL FRAME STEM WALL REINFORCEMENT
SCALE: 3/8"=1'-0"



11 TYPICAL CRAWLSPACE FOUNDATION @ WOOD PORCH/DECK w/ PIERS
SCALE: 3/8"=1'-0"



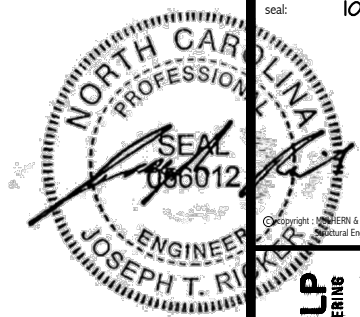
12 TYPICAL CRAWLSPACE FOUNDATION @ WOOD PORCH/DECK
SCALE: 3/8"=1'-0"



13 TYPICAL CRAWLSPACE FOUNDATION @ WOOD PORCH/DECK PERIMETER
SCALE: 3/8"=1'-0"

PLAIN CONC. FOOTINGS AS DIMENSIONED & SHOWN ARE MINIMUM SIZES REQUIRED & HAVE BEEN ENGINEERED. ADDITION OF CONTINUOUS REBAR OR LARGER FOOTINGS MAY BE PROVIDED AT THE DISCRETION OF THE BUILDER.

FILE: RLH - Honeycutt Hills - Lot 14 - Structural DATE: 10/18/2024 10:31 AM



MULHERN+KULP
RESIDENTIAL STRUCTURAL ENGINEERING
3800 Riverside Ave., Building 4 - Asheville, PA 18002
P: 717-258-8881 - mulhern+kulp.com
NC LIC. #C-3825

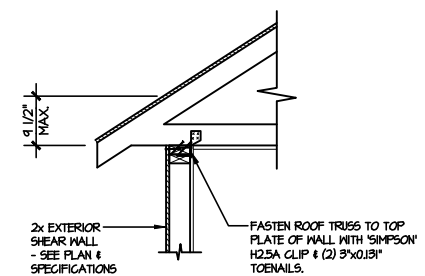
M&K project number:
126-23047
project mgr: JTR
drawn by: JAD
issue date: 10-18-24

REVISIONS:
date: initial:

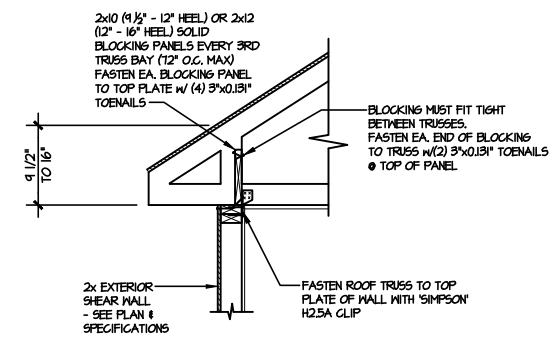
DRB
HOMES

FRAMING DETAILS
HONEYCUTT HILLS
LOT 14 - STONEFIELD 1
RALEIGH, NC

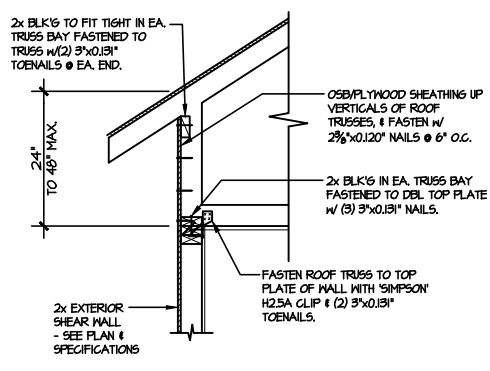
sheet:
SD2.0



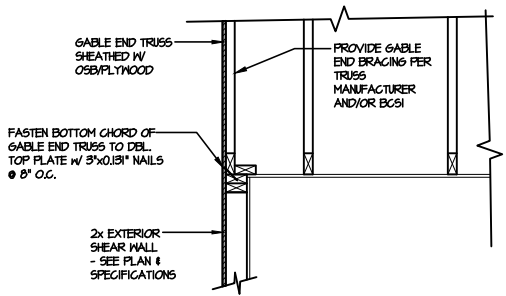
A1 TYPICAL SHEAR TRANSFER DETAIL @ ROOF
SCALE: 3/8"=1'-0"
HEEL HEIGHT LESS THAN 4 1/2"
NO BLOCKING REQ'D



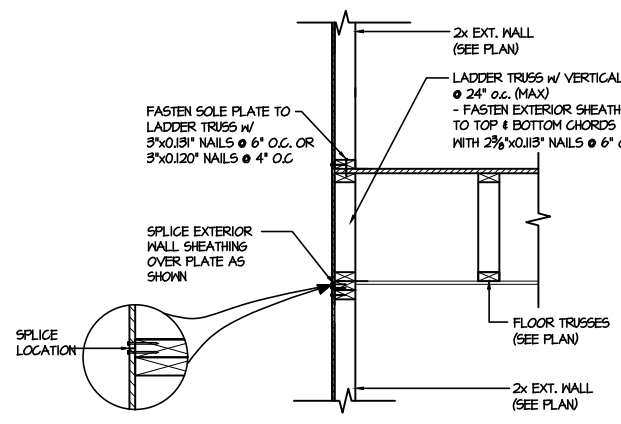
A2 TYPICAL SHEAR TRANSFER DETAIL @ ROOF
SCALE: 3/8"=1'-0"
HEEL HEIGHT BETWEEN 4 1/2" - 16"
BLOCKING REQ'D



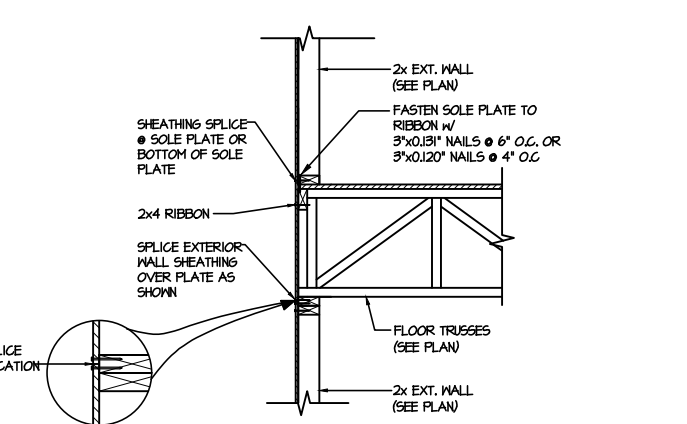
A3 TYPICAL SHEAR TRANSFER DETAIL @ RAISED HEEL TRUSS
SCALE: 3/8"=1'-0"
HEEL HEIGHT UP TO 48" MAX.



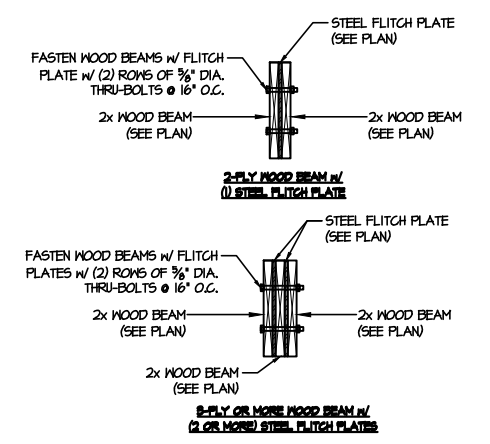
B TYPICAL GABLE END DETAIL
SCALE: 3/8"=1'-0"



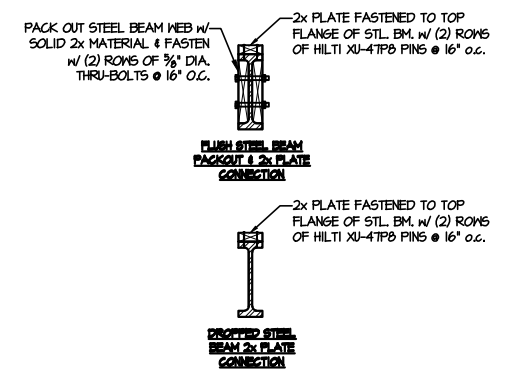
C1 TYPICAL SHEAR TRANSFER DETAIL BETWEEN FLOORS @ EXTERIOR WALL
SCALE: 3/8"=1'-0"
PARALLEL FRMS



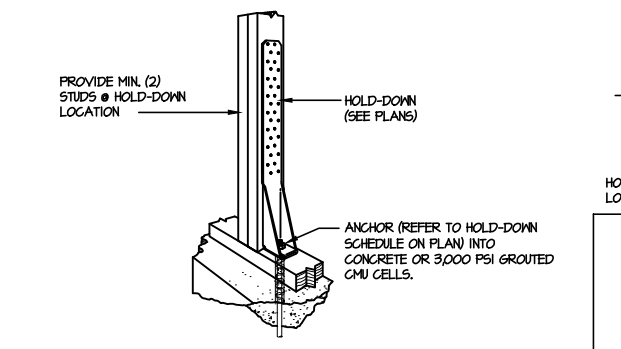
C2 TYPICAL SHEAR TRANSFER DETAIL BETWEEN FLOORS @ EXTERIOR WALL
SCALE: 3/8"=1'-0"
PERPENDICULAR FRMS



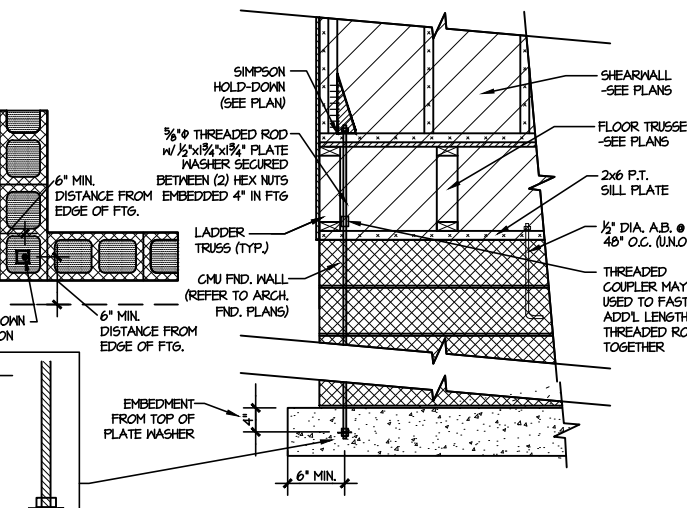
D TYPICAL FLITCH BEAM CONNECTION DETAIL
SCALE: 3/4"=1'-0"



E TYPICAL STEEL BEAM CONNECTION DETAIL
SCALE: 3/4"=1'-0"



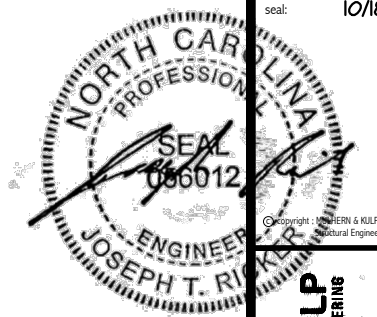
F1 TYPICAL HOLD DOWN INSTALLATION
SCALE: N.T.S.



F2 TYPICAL CMU FOUNDATION HOLD-DOWN INSTALLATION
SCALE: N.T.S. (CORNER SHOWN - APPLICABLE TO ALL CONDITIONS)

LETTERED DETAILS ARE TYPICAL FOR THIS HOME & SHALL BE IMPLEMENTED IN ALL APPLICABLE AREAS. THESE DETAILS ARE NOT "CUT" ON THE PLANS.

NUMBERED DETAILS ARE PLAN SPECIFIC AND ARE ONLY REQUIRED WHERE SPECIFICALLY INDICATED ("CUT") ON THE PLANS.



MULHERN+KULP
RESIDENTIAL STRUCTURAL ENGINEERING
3800 Bechtel Ave., Building 4 - Asheville, PA 18007
P: 717-258-8881 • M: 610-790-1000
N.C. LIC. #C-3825

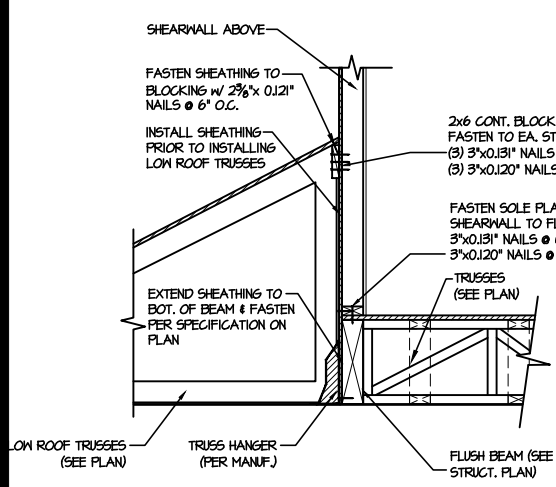
M&K project number:
126-23047
project mgr: JTR
drawn by: JAD
issue date: 10-18-24

REVISIONS:
date: initial:

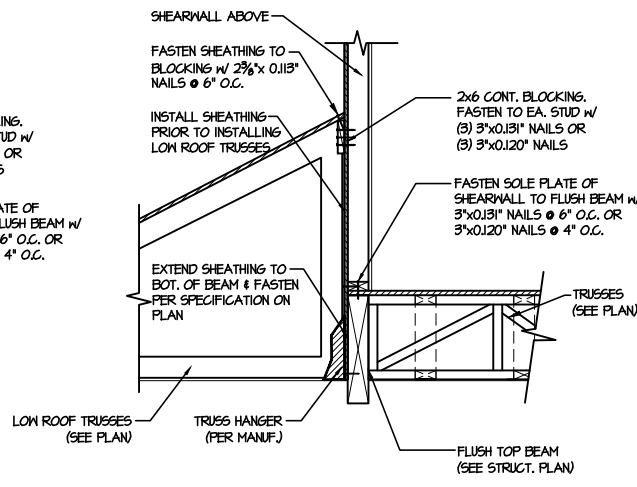
DRB HOMES

FRAMING DETAILS
HONEYCUTT HILLS
LOT 14 - STONEFIELD 1
RALEIGH, NC

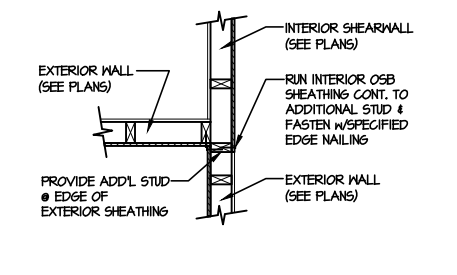
sheet: SD2.1A



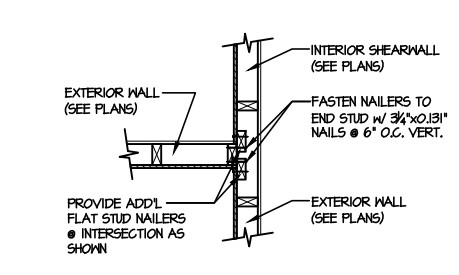
1 SHEAR TRANSFER DETAIL @ EXTERIOR SHEARWALL ABOVE
SCALE: 3/4"=1'-0"



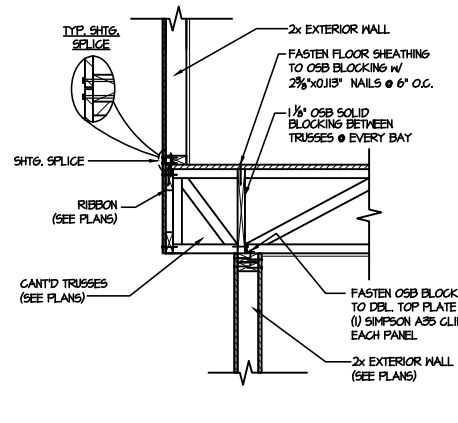
2 SHEAR TRANSFER DETAIL @ EXTERIOR SHEARWALL ABOVE
SCALE: 3/4"=1'-0"



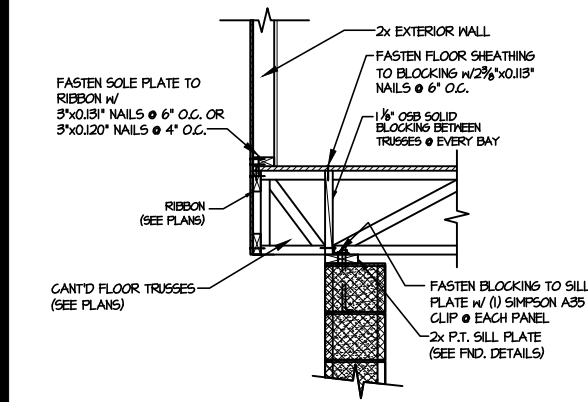
3 SHEAR TRANSFER DETAIL @ INTERSECTING INT. SHEARWALL
SCALE: 3/4"=1'-0" SHTG. OPPOSITE FACES



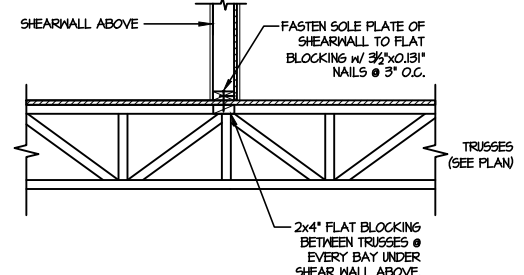
4 SHEAR TRANSFER DETAIL @ INTERSECTING INT. SHEARWALL
SCALE: 3/4"=1'-0" SHTG. ON SAME FACE



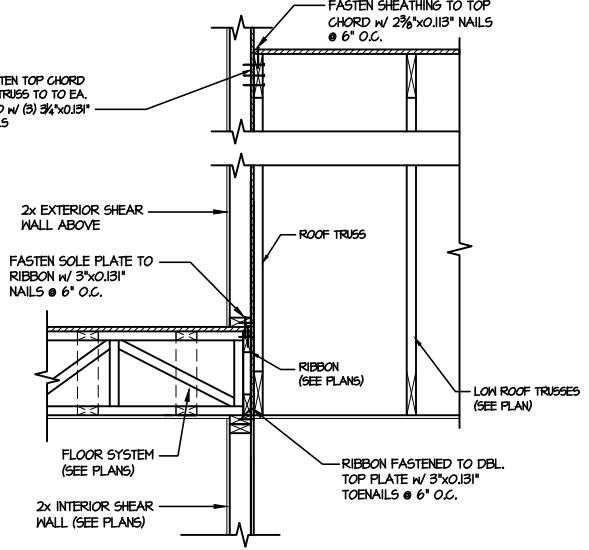
5 SHEAR TRANSFER DETAIL BETWEEN FLOORS @ CANT'D EXT. WALL
SCALE: 3/4"=1'-0" PERPENDICULAR FRAMING



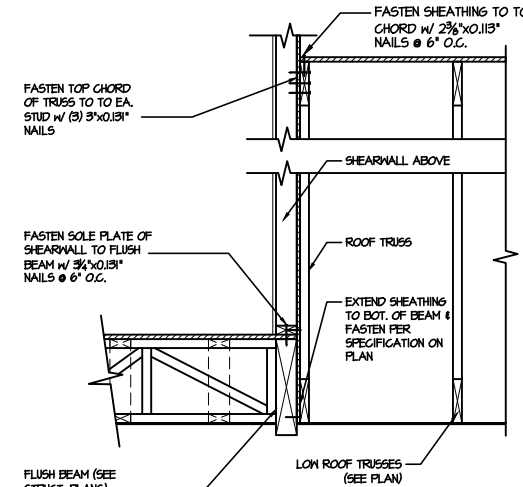
6 SHEAR TRANSFER DETAIL @ CANT'D EXTERIOR WALL
SCALE: 3/4"=1'-0"



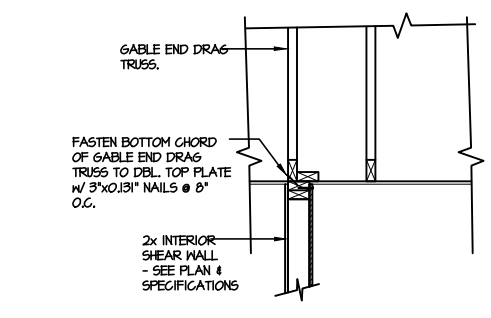
7 SHEAR TRANSFER DETAIL @ INTERIOR SHEARWALL ABOVE
SCALE: 3/4"=1'-0" PERPENDICULAR FRAMING



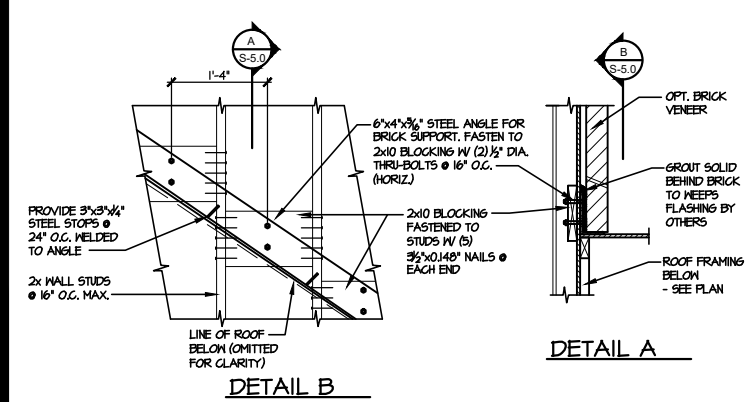
8 TYPICAL SHEAR TRANSFER DETAIL BETWEEN FLOORS @ INTERIOR WALL
SCALE: 3/4"=1'-0"



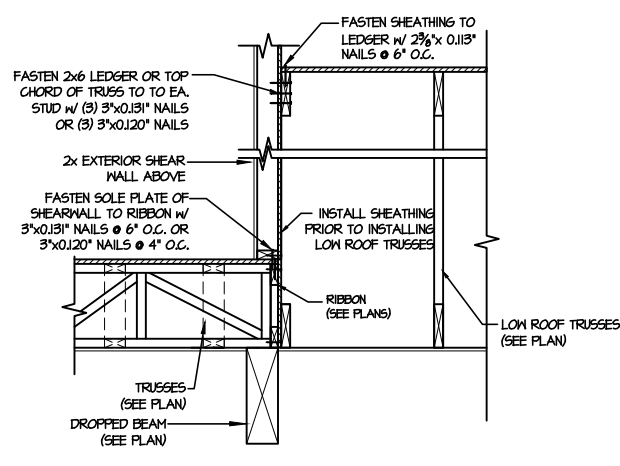
9 SHEAR TRANSFER DETAIL @ EXTERIOR SHEARWALL ABOVE
SCALE: 3/4"=1'-0"



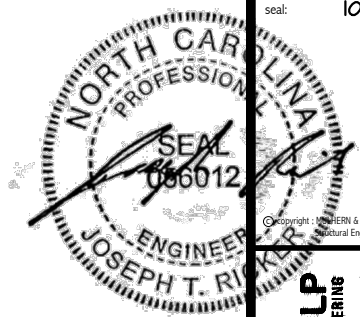
10 INTERIOR GABLE END DETAIL
SCALE: 3/4"=1'-0"



11 DETAIL SUPPORT OF BRICK VENEER
SCALE: 3/4"=1'-0"



12 TYPICAL SHEAR TRANSFER DETAIL BETWEEN FLOORS @ INTERIOR WALL
SCALE: 3/4"=1'-0"



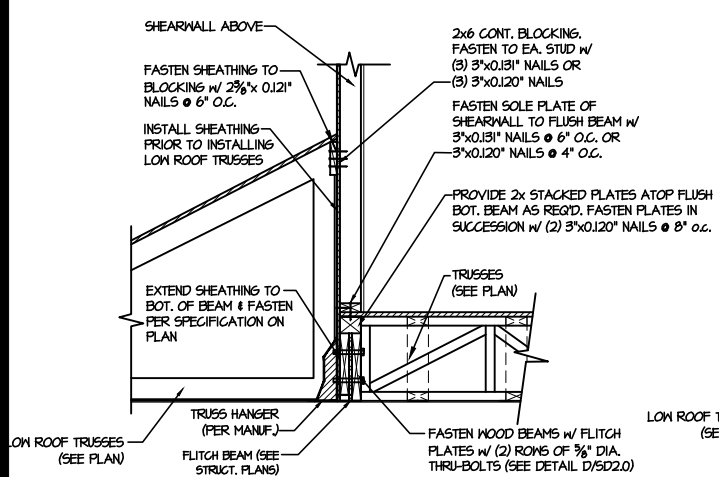
MULHERN+KULP
RESIDENTIAL STRUCTURAL ENGINEERING
3305 Riverside Ave., Building 4 - Asheville, PA 18002
P: 717-258-8881 • mulhern+kulp.com
N.C. LIC. #C-3825

M&K project number:
126-23047
project mgr: JTR
drawn by: JAD
issue date: 10-18-24

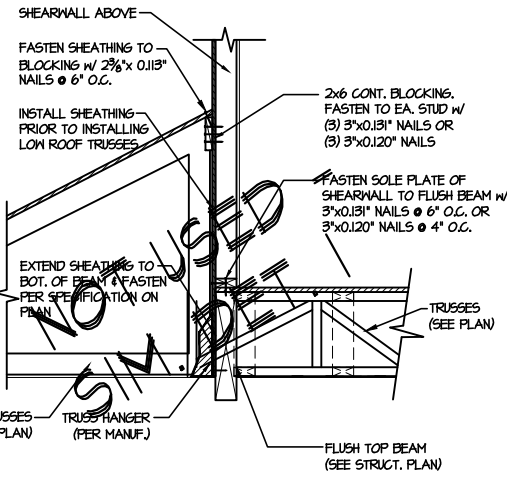
REVISIONS:
date: initial:

DRB
HOMES

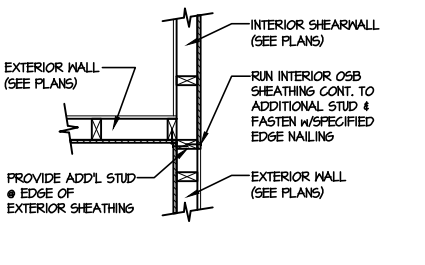
FRAMING DETAILS
HONEYCUTT HILLS
LOT 14 - STONEFIELD 1
RALEIGH, NC



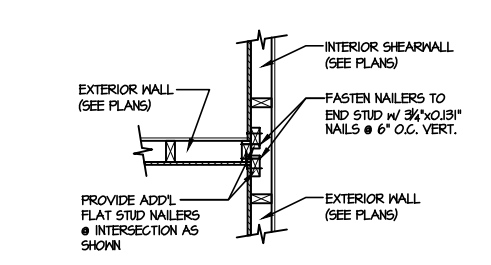
1 SHEAR TRANSFER DETAIL @ EXTERIOR SHEARWALL ABOVE
SCALE: 3/4"=1'-0"



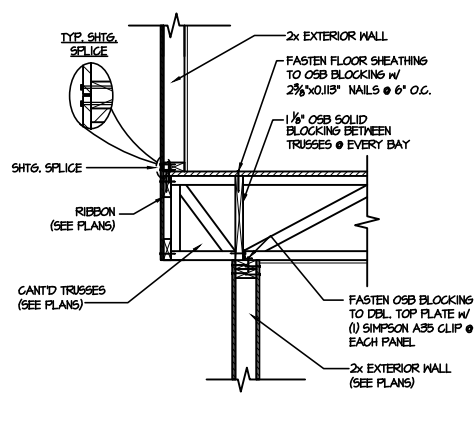
2 SHEAR TRANSFER DETAIL @ EXTERIOR SHEARWALL ABOVE
SCALE: 3/4"=1'-0"



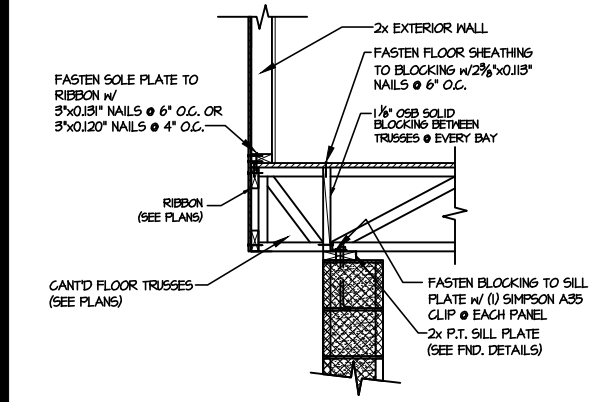
3 SHEAR TRANSFER DETAIL @ INTERSECTING INT. SHEARWALL
SCALE: 3/4"=1'-0" SHTG. OPPOSITE FACES



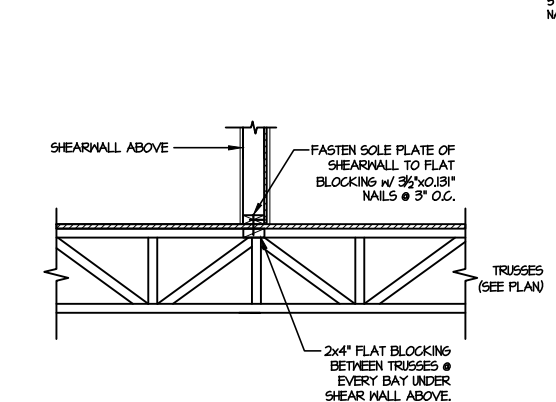
4 SHEAR TRANSFER DETAIL @ INTERSECTING INT. SHEARWALL
SCALE: 3/4"=1'-0" SHTG. ON SAME FACE



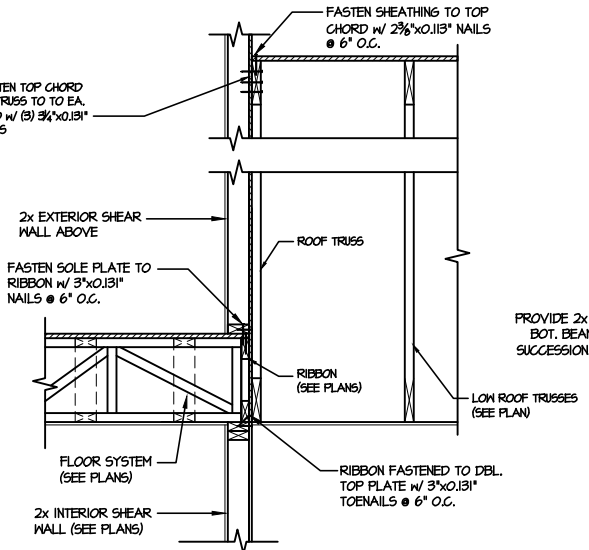
5 SHEAR TRANSFER DETAIL BETWEEN FLOORS @ CANT'D EXT. WALL
SCALE: 3/4"=1'-0" PERPENDICULAR FRAMING



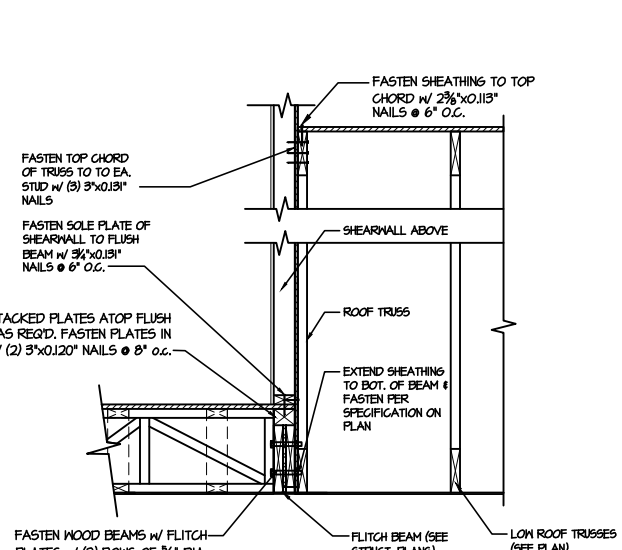
6 SHEAR TRANSFER DETAIL @ CANT'D EXTERIOR WALL
SCALE: 3/4"=1'-0"



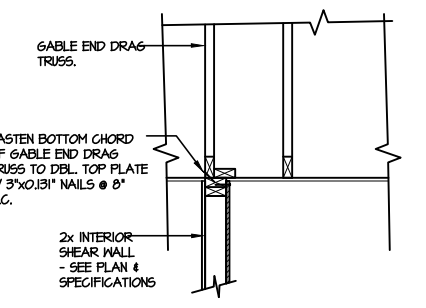
7 SHEAR TRANSFER DETAIL @ INTERIOR SHEARWALL ABOVE
SCALE: 3/4"=1'-0" PERPENDICULAR FRAMING



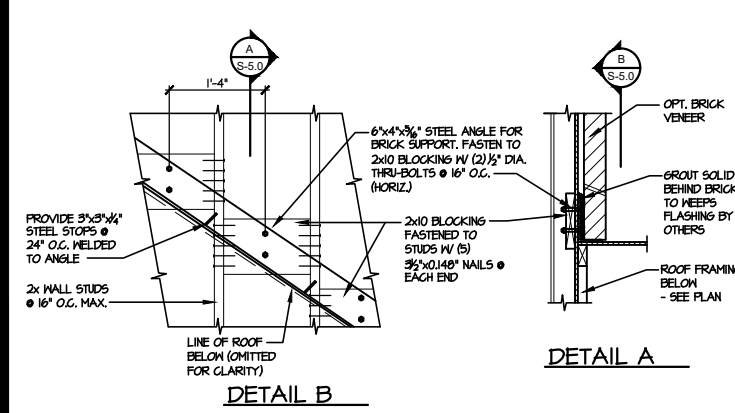
8 TYPICAL SHEAR TRANSFER DETAIL BETWEEN FLOORS @ INTERIOR WALL
SCALE: 3/4"=1'-0"



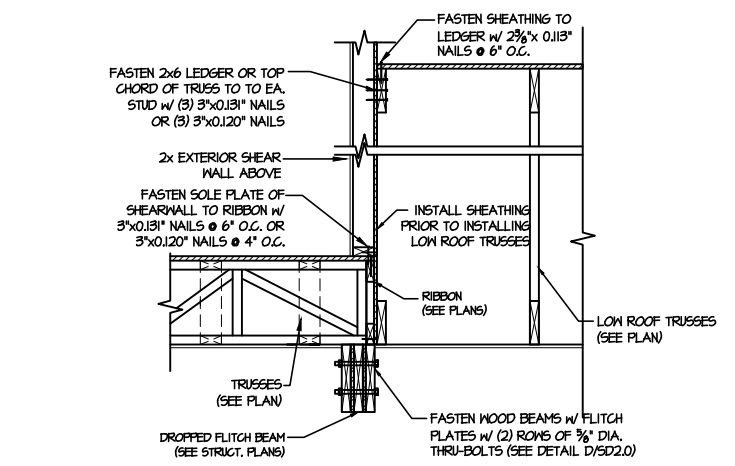
9 SHEAR TRANSFER DETAIL @ EXTERIOR SHEARWALL ABOVE
SCALE: 3/4"=1'-0"



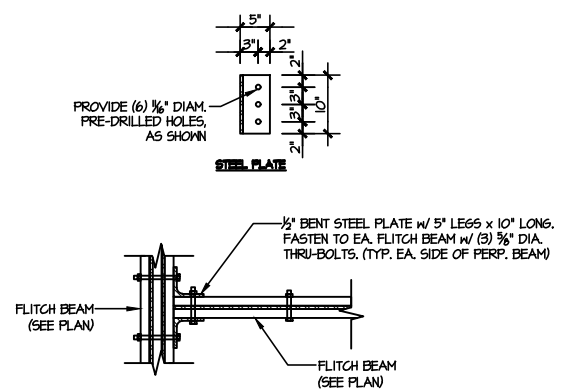
10 INTERIOR GABLE END DETAIL
SCALE: 3/4"=1'-0"



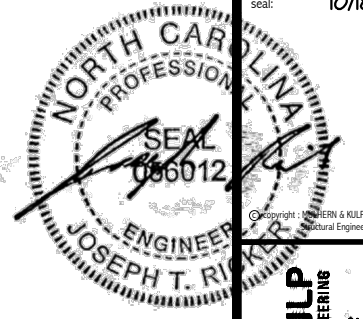
11 DETAIL SUPPORT OF BRICK VENEER
SCALE: 3/4"=1'-0"



12 TYPICAL SHEAR TRANSFER DETAIL BETWEEN FLOORS @ INTERIOR WALL
SCALE: 3/4"=1'-0"



13 TYPICAL FLITCH BEAM TO FLITCH BEAM CONNECTION DETAIL
SCALE: 3/4"=1'-0"



MULHERN+KULP
RESIDENTIAL STRUCTURAL ENGINEERING
3805 Riverside Ave., Building 4 - Asheville, PA 18007
P: 715-898-0887 • mulhern+kulp.com
N.C. LIC. #C-3825

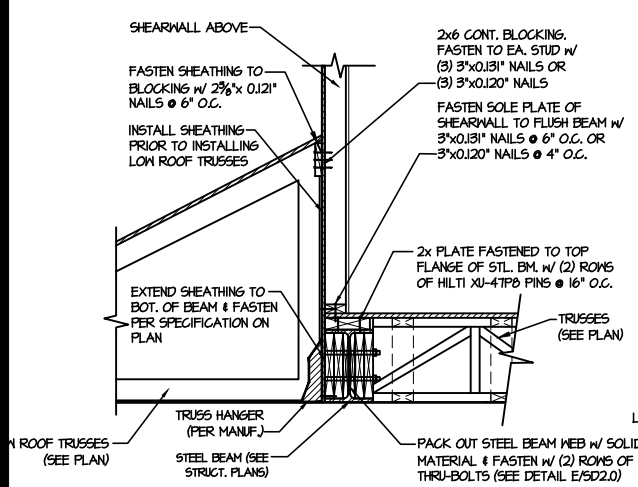
M&K project number:
126-23047
project mgr: JTR
drawn by: JAD
issue date: 10-18-24

REVISIONS:
date: initial:

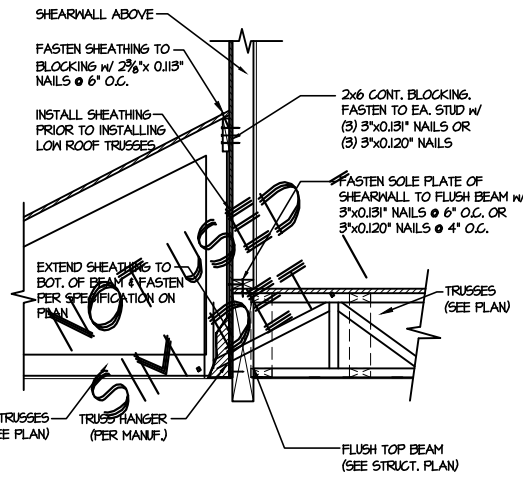
DRB
HOMES

FRAMING DETAILS
HONEYCUTT HILLS
LOT 14 - STONEFIELD 1
RALEIGH, NC

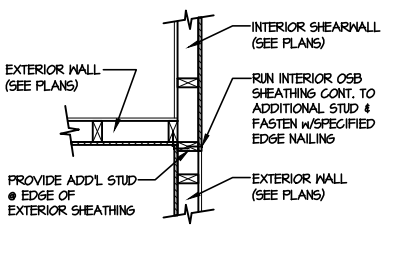
sheet:
SD2.1C



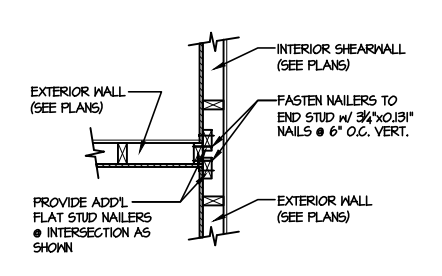
1 SHEAR TRANSFER DETAIL @ EXTERIOR SHEARWALL ABOVE
SCALE: 3/4"=1'-0"



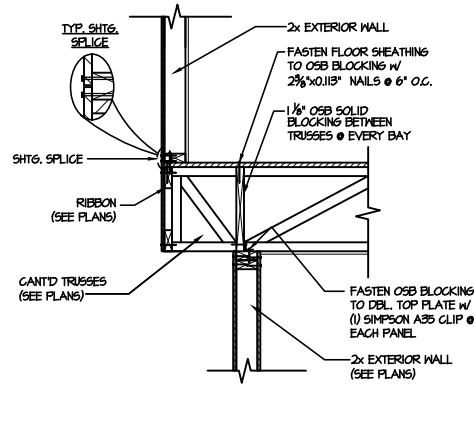
2 SHEAR TRANSFER DETAIL @ EXTERIOR SHEARWALL ABOVE
SCALE: 3/4"=1'-0"



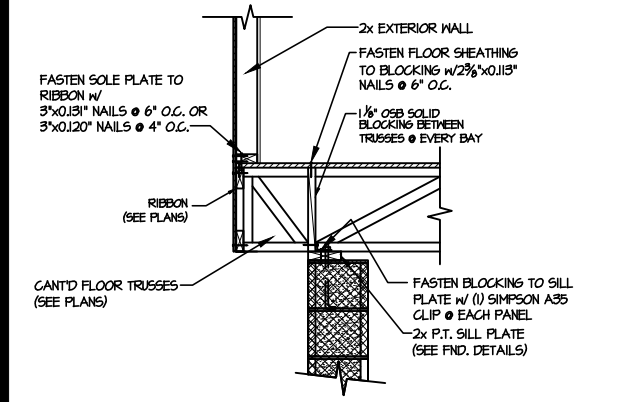
3 SHEAR TRANSFER DETAIL @ INTERSECTING INT. SHEARWALL
SCALE: 3/4"=1'-0" SHTS. OPPOSITE PAGES



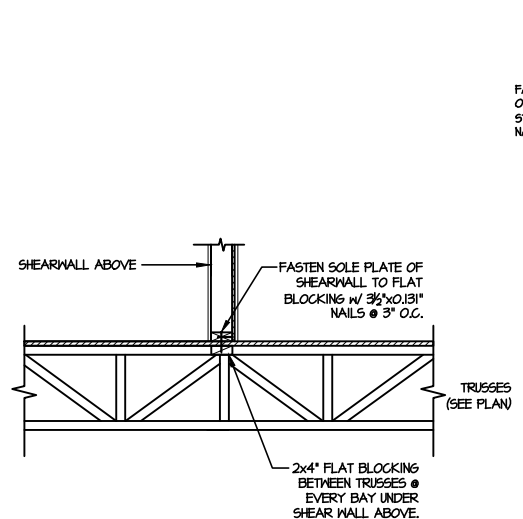
4 SHEAR TRANSFER DETAIL @ INTERSECTING INT. SHEARWALL
SCALE: 3/4"=1'-0" SHTS. ON SAME FACE



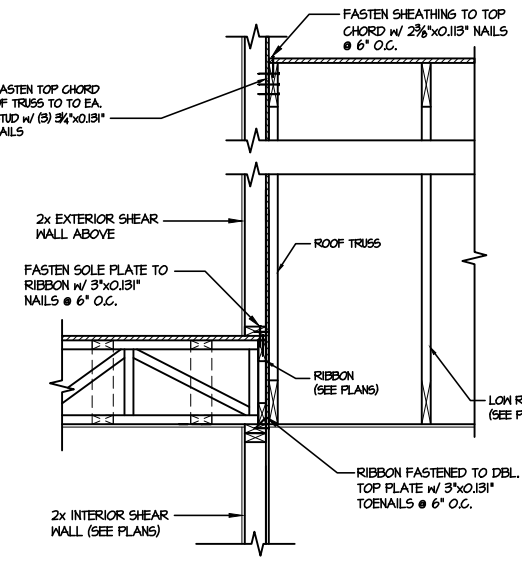
5 SHEAR TRANSFER DETAIL BETWEEN FLOORS @ CANT'D EXT. WALL
SCALE: 3/4"=1'-0" PERPENDICULAR FRAMING



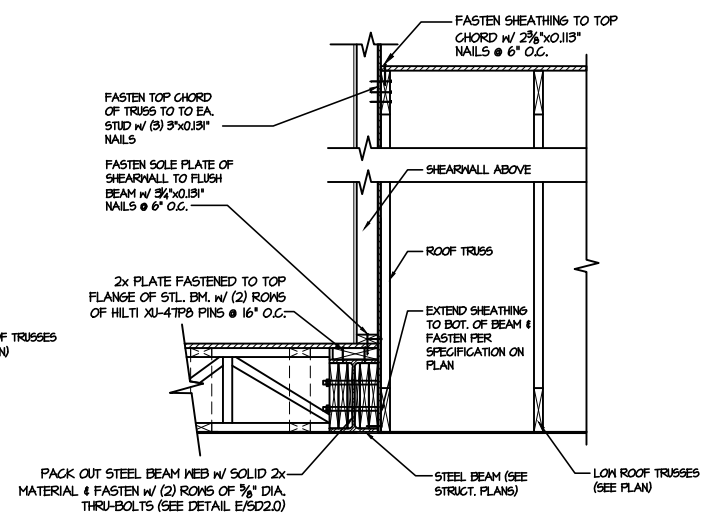
6 SHEAR TRANSFER DETAIL @ CANT'D EXTERIOR WALL
SCALE: 3/4"=1'-0"



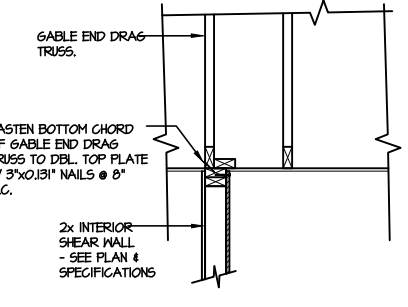
7 SHEAR TRANSFER DETAIL @ INTERIOR SHEARWALL ABOVE
SCALE: 3/4"=1'-0" PERPENDICULAR FRAMING



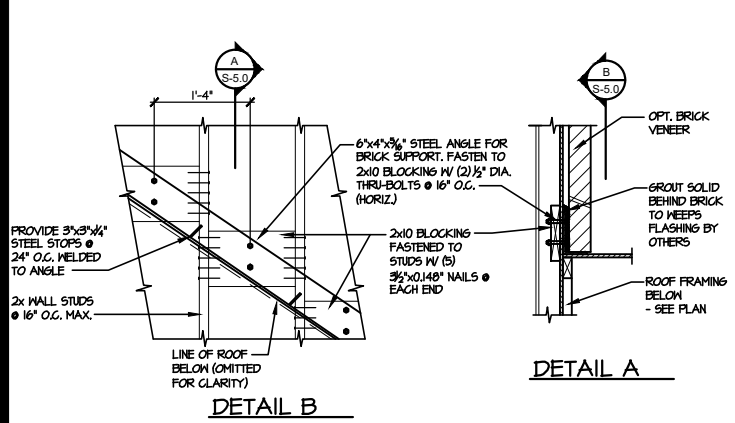
8 TYPICAL SHEAR TRANSFER DETAIL BETWEEN FLOORS @ INTERIOR WALL
SCALE: 3/4"=1'-0"



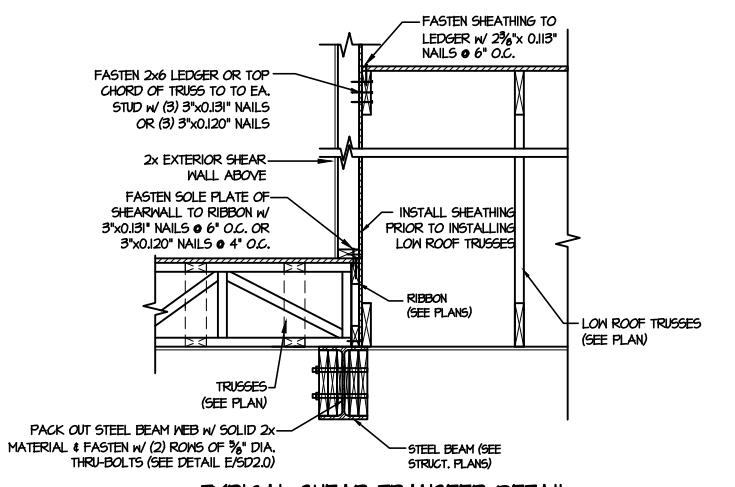
9 SHEAR TRANSFER DETAIL @ EXTERIOR SHEARWALL ABOVE
SCALE: 3/4"=1'-0"



10 INTERIOR GABLE END DETAIL
SCALE: 3/4"=1'-0"

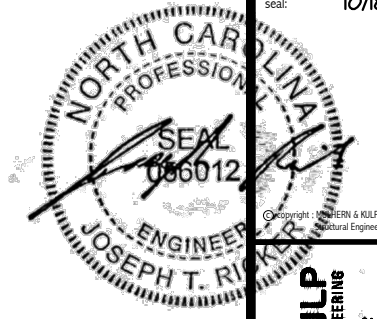


11 DETAIL SUPPORT OF BRICK VENEER
SCALE: 3/4"=1'-0"



12 TYPICAL SHEAR TRANSFER DETAIL BETWEEN FLOORS @ INTERIOR WALL
SCALE: 3/4"=1'-0"

FILE: RLH - Honeycutt Hills - Lot 14 - Structural DATE: 10/18/2024 10:31 AM



Copyright: MULHERN+KULP Structural Engineering, Inc.

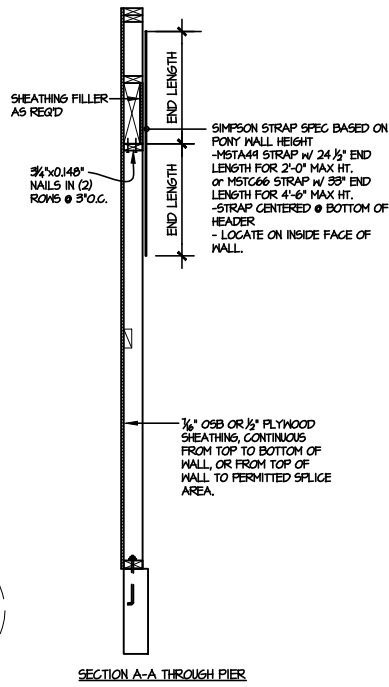
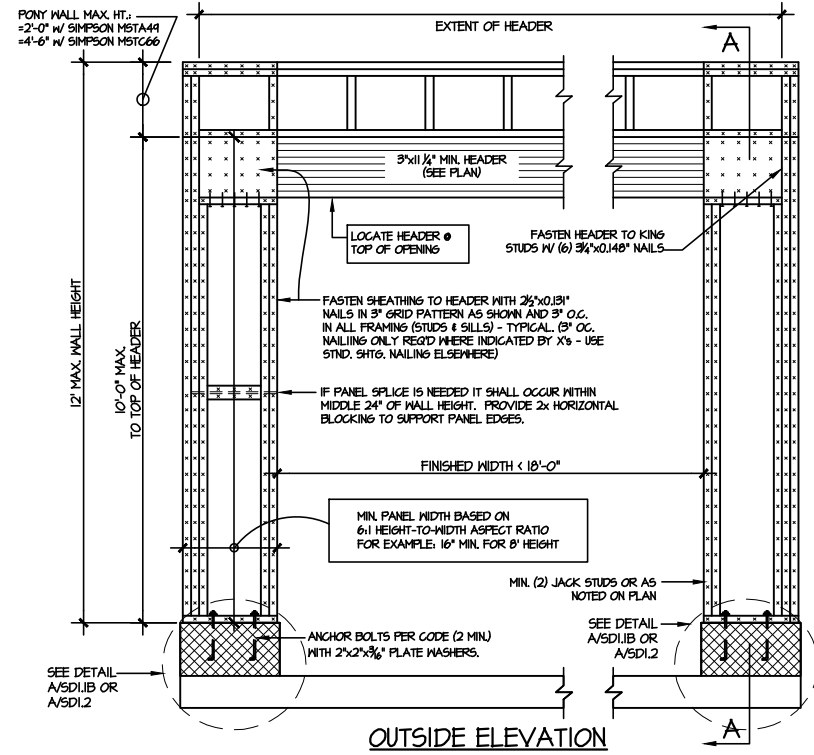


M&K project number: 126-23047
project mgr: JTR
drawn by: JAD
issue date: 10-18-24
REVISIONS:
date: initial:

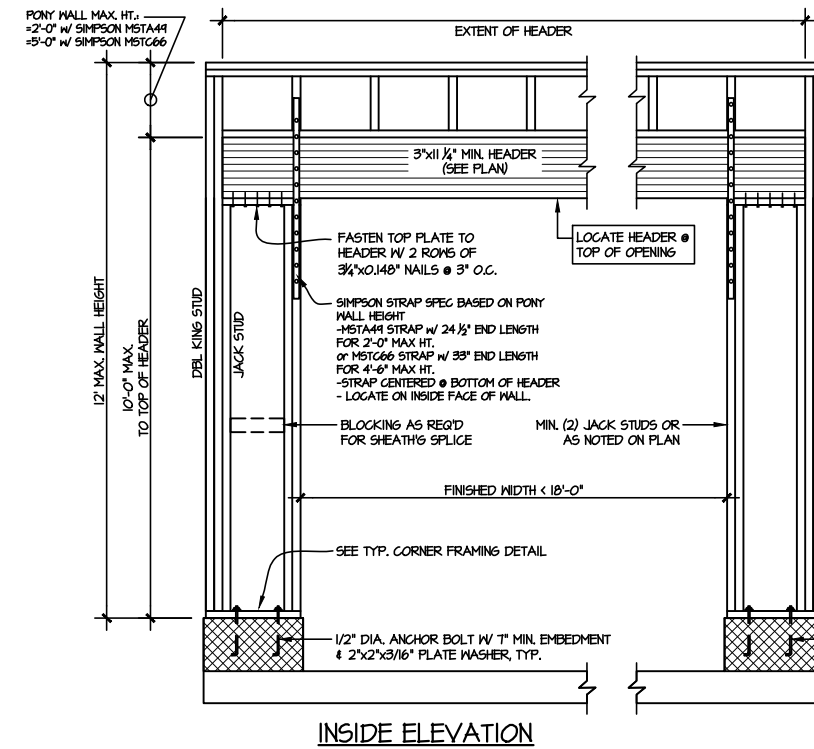
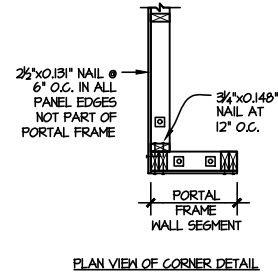


FRAMING DETAILS
HONEYCUTT HILLS
LOT 14 - STONEFIELD 1
RALEIGH, NC

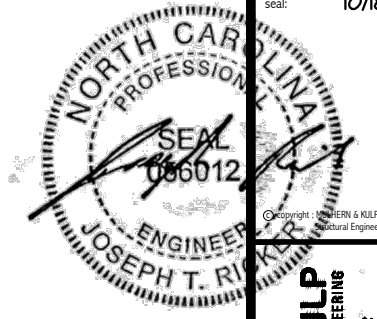
sheet: SD2.2



NOTE: ALL SHEATHABLE AREAS OF EXTERIOR WALL SHALL BE FULLY SHEATHED WITH 1/2" PLYWOOD OR 3/4" OSB



2 TWO SIDED GARAGE PORTAL FRAME BRACING ELEVATION ON CMU STEM
SCALE: N.T.S. SCALE: N.T.S.



Copyright: MULHERN + KULP Structural Engineering, Inc.

MULHERN+KULP
RESIDENTIAL STRUCTURAL ENGINEERING
300 Riverside Ave., Building 4 - Asheville, PA 18002
P 212-948-8881 • mulhern+kulp.com
NC LIC. #C-3825



M&K project number:
126-23047

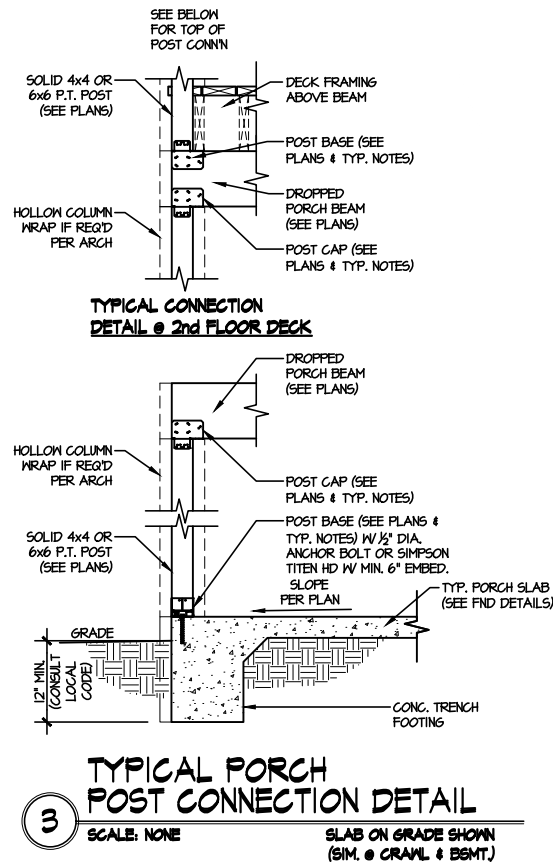
project mgr: JTR
drawn by: JAD
issue date: 10-18-24

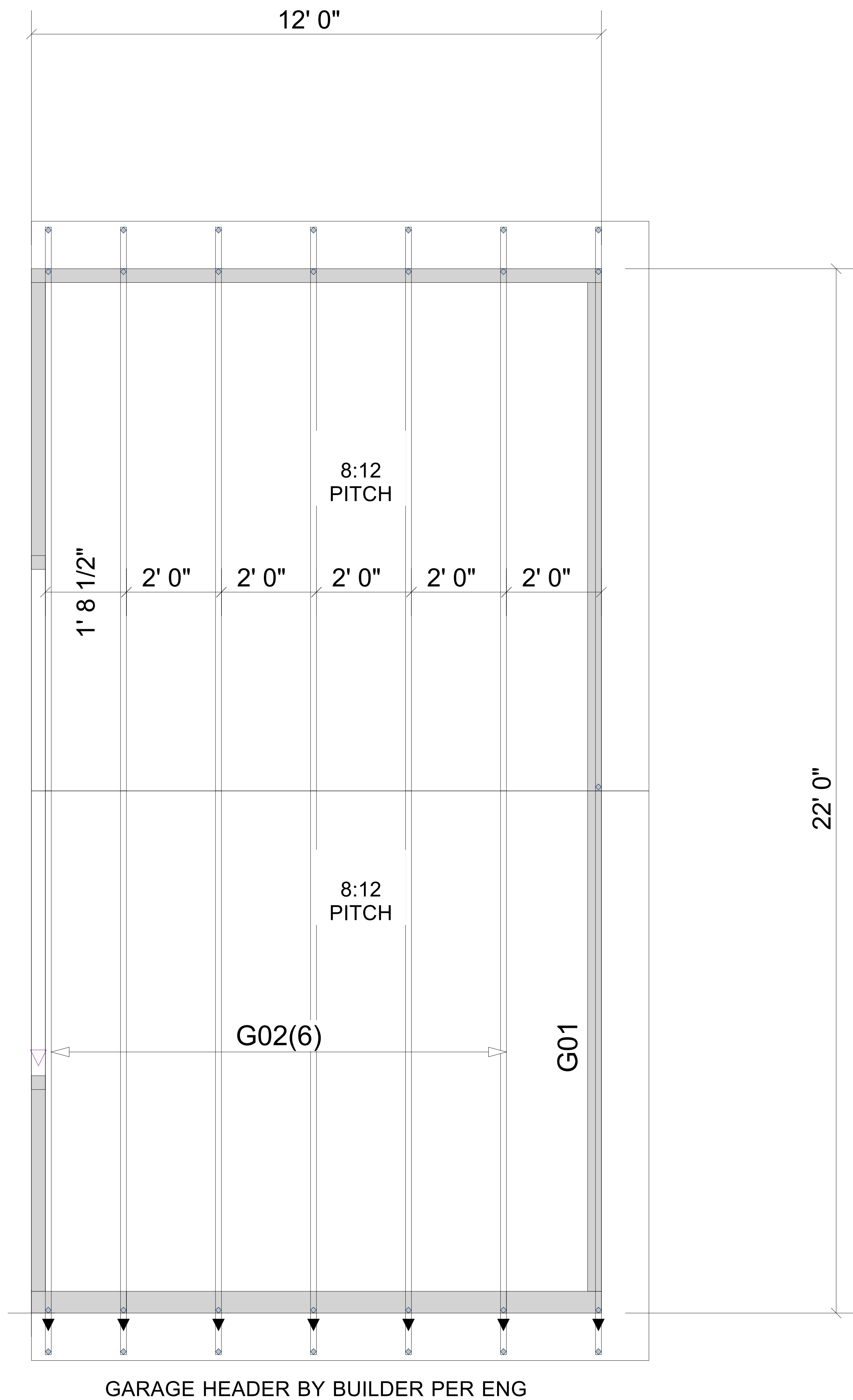
REVISIONS:
date: initial:



FRAMING DETAILS
HONEYCUTT HILLS
LOT 14 - STONEFIELD 1
RALEIGH, NC

sheet:
SD3.0





GARAGE HEADER BY BUILDER PER ENG

▲ = LEFT END OF TRUSS

REVISIONS:



Moncks Corner/Easley, SC (800) 475-3999
 Sparta, NC (336) 372-2226

FOR PERMIT

Client:	DRB GROUP-RALEIGH
Job:	LOT 0.0014 HONEYCUTT HILL
Plan Information:	STONEFIELD-1
NOT TO SCALE	Date: 10/08/24
Drawn By: CGT	Job #: Sales Rep: KYLE GIBSON
	24-8791-R01 Phone:

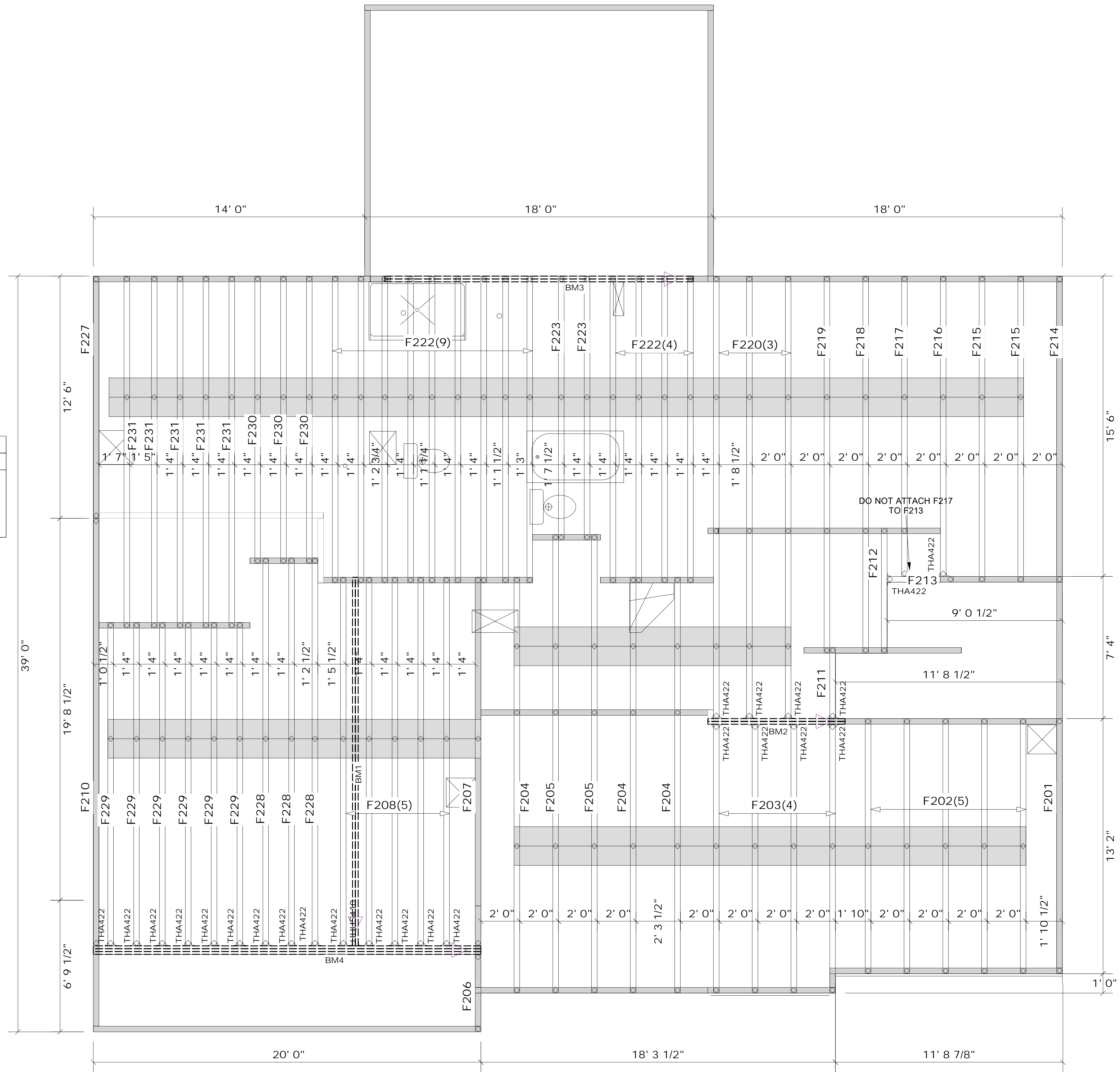
ROOF

WARNING! Long span trusses, 60' or greater in length, require extreme care and experience for proper and safe handling and installation. For general handling and installation guidance, see the "Guide to Good Practice for Handling, Installing, Restraining & Bracing of Metal Plate Connected Wood Trusses ("BCSI"), JOINTLY PRODUCED BY SBCA and TPI. For project specific guidance, consult with a registered design professional. ATLANTIC assumes no responsibility for the handling, installation or bracing of trusses.

Connector Summary					
Flange	Product	Manuf	Qty		
None	HHUS410	Simpson	1		

Truss Connector Total List					
Qty	Product	Manuf			
24	THA422	Simpson			

Products					
Fab Type	Net Qty	Plies	Product	Length	PlotID
MFD	2	2	1-3/4" x 14" VERSA-LAM@ 2.0 3100 SP	20' 0"	BM1
MFD	2	2	1-3/4" x 14" VERSA-LAM@ 2.0 3100 SP	8' 0"	BM2
MFD	2	2	1-3/4" x 16" VERSA-LAM@ 2.0 3100 SP	16' 0"	BM3
MFD	3	3	1-3/4" x 18" VERSA-LAM@ 2.0 3100 SP	20' 0"	BM4



▲ = LEFT END OF TRUSS

REVISIONS:



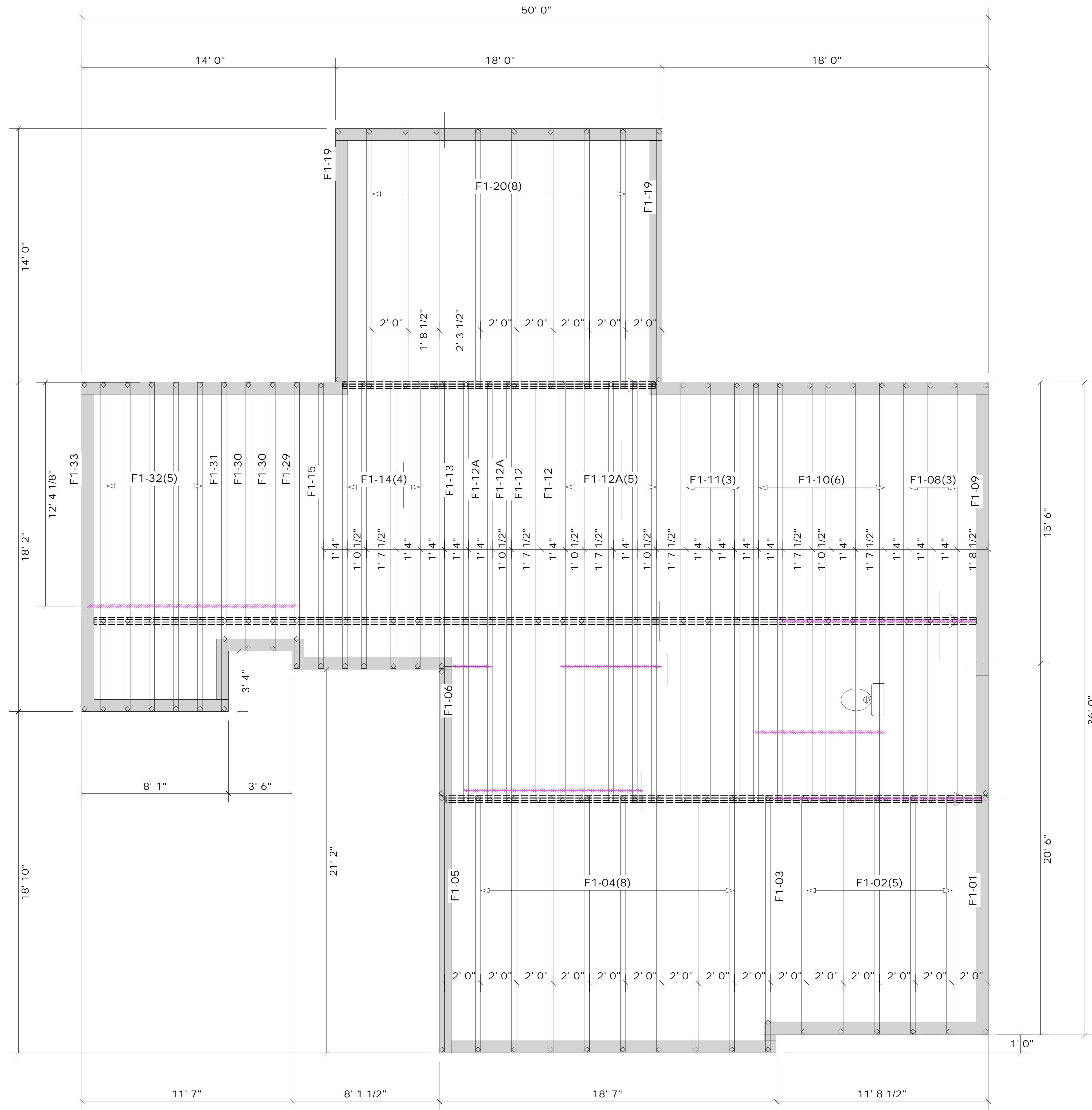
Moncks Corner/Easley, SC (800) 475-3999
Sparta, NC (336) 372-2226

FOR PERMIT

Client:	DRB GROUP-RALEIGH
Job:	LOT 0.0014 HONEYCUTT HILL
Plan Information:	STONEFIELD-1
NOT TO SCALE	Date: 10/08/24
Drawn By: CGT	Job #: Sales Rep: KYLE GIBSON
	24-8791-F02 Phone: 864-304-3282

FLOOR

WARNING! Long span trusses, 60' or greater in length, require extreme care and experience for proper and safe handling and installation. For general handling and installation guidance, see the "Guide to Good Practice for Handling, Installing, Restraining & Bracing of Metal Plate Connected Wood Trusses ("BCSI"), JOINTLY PRODUCED BY SBCA and TPI. For project specific guidance, consult with a registered design professional. ATLANTIC assumes no responsibility for the handling, installation or bracing of trusses.



▲ = LEFT END OF TRUSS

REVISIONS:



Moncks Corner/Easley, SC (800) 475-3999
Sparta, NC (336) 372-2226

FOR PERMIT

Client: DRB GROUP-RALEIGH

Job: LOT 0.0014 HONEYCUTT HILL

Plan Information:

STONEFIELD-1

NOT TO SCALE

Drawn By: CGT

Date: 10/08/24

Job #: 24-8791-F01

Sales Rep: KYLE GIBSON

Phone: 864-304-3282

FLOOR

WARNING! Long span trusses, 60' or greater in length, require extreme care and experience for proper and safe handling and installation. For general handling and installation guidance, see the "Guide to Good Practice for Handling, Installing, Restraining & Bracing of Metal Plate Connected Wood Trusses ("BCSI"), JOINTLY PRODUCED BY SBCA and TPI. For project specific guidance, consult with a registered design professional. ATLANTIC assumes no responsibility for the handling, installation or bracing of trusses.